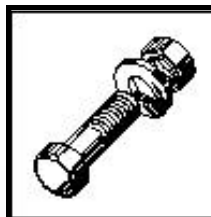


**HOBART**



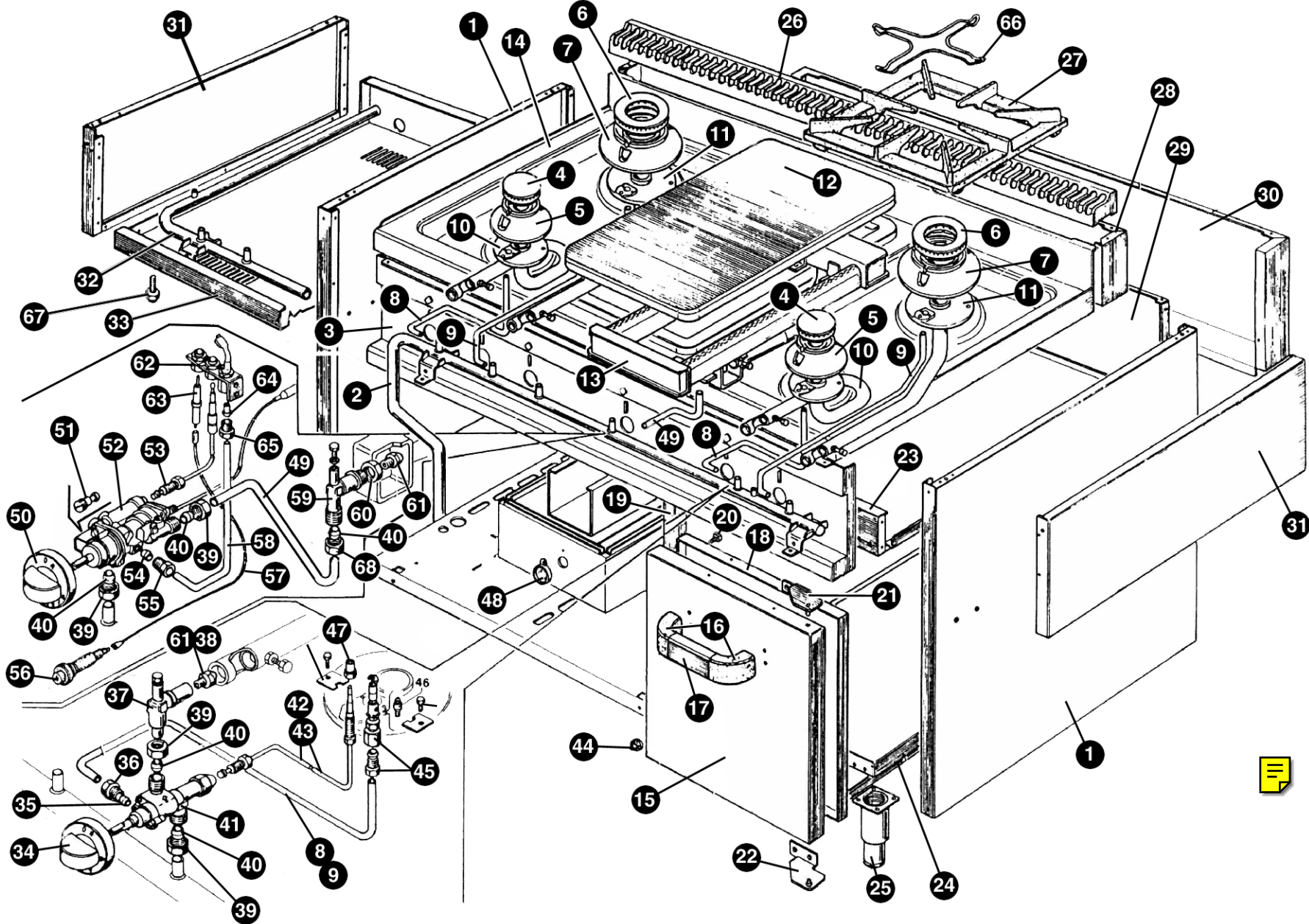
*Gas Range*  
**HG4SMFA7**



*Spare Parts*



**CE**

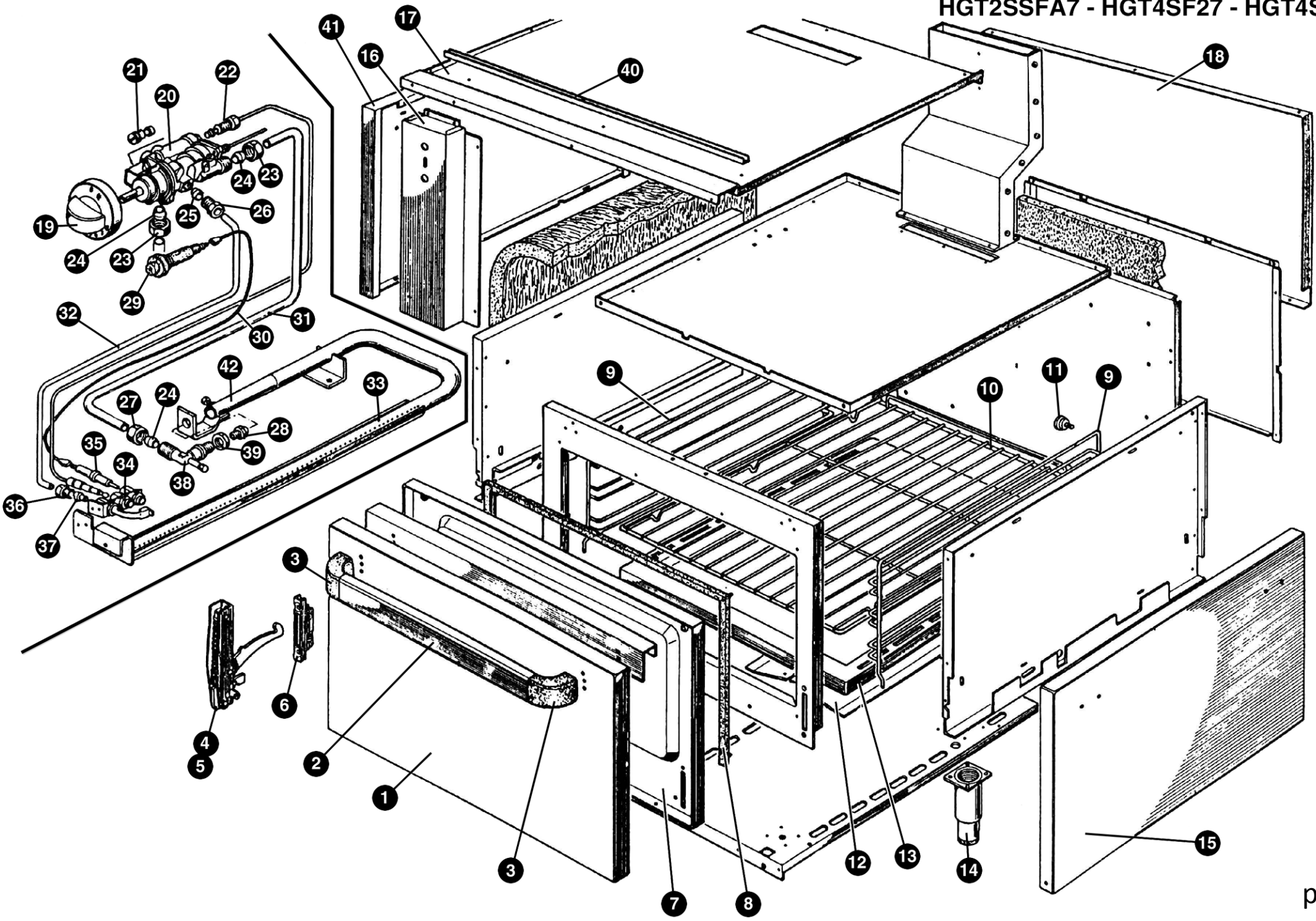


<b>Key No</b>	<b>Part No</b>	<b>Description</b>
1	PACU700424	SIDE
2	RTCU700563	COLLECTOR
3	GACU700201	CONTROL PANEL
4	RTCU700375	BURNER CAP 3,5 KW
5	RTCU700380	BURNER 3,5 KW
6	RTCU700376	BURNER CAP 6 KW
7	RTCU700382	BURNER 6 KW
8	PACU700752	FRONT BURNER PILOT PIPE
9	PACU700573	BACK BURNER PILOT PIPE
10	GACU700135	FRONT BURNER DISTRIB. PIPE 3,5 KW
11	GACU700138	TUBO ALIMENT. BRUCIAT. POST. 6 KW
12	RTCU700438	COOKING TOP
13	RTCU700440	TOP BURNER
14	PACU700658	WORK PLANE
15	PACU700422	RIGHT DOOR
16	RTCU700291	HANDLE
17	PACU700421	CUPBOARD DOOR HANDLE
18	PACU700420	CUPBOARD COUNTER DOOR
19	PACU700645	CUPBOARD SIDE
20	RTTAV00093	MAGNETIC CONNECTION
21	GACU700113	RIGHT HINGE CUPBOARD DOOR
22	GACU700112	LEFT HINGE CUPBOARD DOOR
23	PACU700646	CUPBOARD UPPER SIDE
24	PACU700647	CUPBOARD LOWER SIDE
25	RTCU700277	STAINLESS STEEL FOOT
26	GACU700142	CHIMNEY GRILL
27	RTCU700274	WORK PLANE GRATE
28	PACU700648	SUPERIOR CHIMNEY
29	PACU700642	STAINLESS STEEL BACK PANEL
34	RTCU700308	SAFETY VALVE KNOB
35	RTCU900018	BICONE FOR PIPE Ø 6
36	RTCU900019	NUT FOR PIPE Ø 6
37	RTCU700325	INJECTOR SUPPORT
39	RTCU700297	NUT FOR PIPE Ø 10
40	RTCU900012	DOUBLE CONE D.10
41	RTCU700259	TAP
42	RTCU700373	THERMOCOUPLE CM. 30
43	RTCU700374	THERMOCOUPLE CM. 50
44	RTBF800021	RUBBER CUP
45	RTCU700372	PILOT
47	RTCU700391	NUT FOR THERMOCOUPLE
48	RTBF900054	SPY-HOLE
49	PACU700431	FEEDING PIPE FOR BURNER
50	RTCU700344	THERMOSTAT HANDLE

<b>Key No</b>	<b>Part No</b>	<b>Description</b>
51	RTCU700388	THERMOSTAT BY-PASS Ø 0,70
52	RTCU700289	GAS THERMOSTAT
53	RTCU700296	THERMOCOUPLE
54	RTCU800183	DOUBLE CONE D.6
55	RTCU800182	CAP D.6
56	RTCU700020	PIEZO LIGHTING
57	RTCU700361	CABLE FOR PIEZO LIGHTING
58	PACU700742	PILOT PIPE
59	RTCU900337	INJECTOR SUPPORT
60	RTCU900005	SUPPORT LOCK NUT
62	RTCP800034	PILOT BODY
63	RTCP800033	SPARK PLUG
65	RTCP800038	THERMOCOUPLE FITTING
66	RTCU700028	REDUCTION GRATE
68	RTCU900013	NUT

## Oven - Section

HG4SF7 - HG6SFA7 - HG2SDMF7  
HG2SSMF7 - HGTF7 - HGT2SDFA7  
HGT2SSFA7 - HGT4SF27 - HGT4SFA7





## Oven - Section

HG4SF7 - HGSFA7 - HG2SDMF7  
HG2SSMF7 - HGTF7 - HGT2SDFA7  
HGT2SSFA7 - HGT4SF27 - HGT4SFA7

Key No	Part No	Description
1	PACU700569	Oven door
2	PACU700447	Oven door handle
3	RTCU700291	Handle
4	RTCU900027	Oven door left hinge
5	RTCU900026	Oven door right hinge
6	RTCU900004	Hinge support
7		
8	RTCU800097	Oven door gasket
9	RTCU700342	Oven lateral grate
10	RTCU700341	Grate
11	RTCU700002	Grate connection
12	PACU700587	Air conveyor
13	GACU700132	Oven/crumb tray
14		
15		
16		
17		
18		
19	RTCU700344	Thermostat handle
20	RTCU700289	Gas thermostat
21		
22		
23	RTCU700297	Nut for pipe Ø 10
24	RTCU900012	Bicone Ø10
25	RTCU900018	Bicone for pipe Ø 6
26	RTCU900019	Nut for pipe Ø 6
27	RTCU900013	Nut
28		
29	RTCU700020	Piezo lighting
30		
31		
32		
33	RTCU700377	Oven burner
34	RTCP800034	Pilot body
35	RTCP800033	Spark plug
36	RTCP800038	Thermocouple fitting
37	RTCP800041	Injector pilot Ø 0,19 for LPG
39	RTCU900337	Injector support
40		
41		
42		



As continued product improvement is a policy of HOBART, specifications are subject to change with-out notice.

02.05.2003-Issue-1