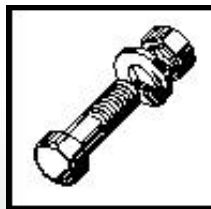


HOBART

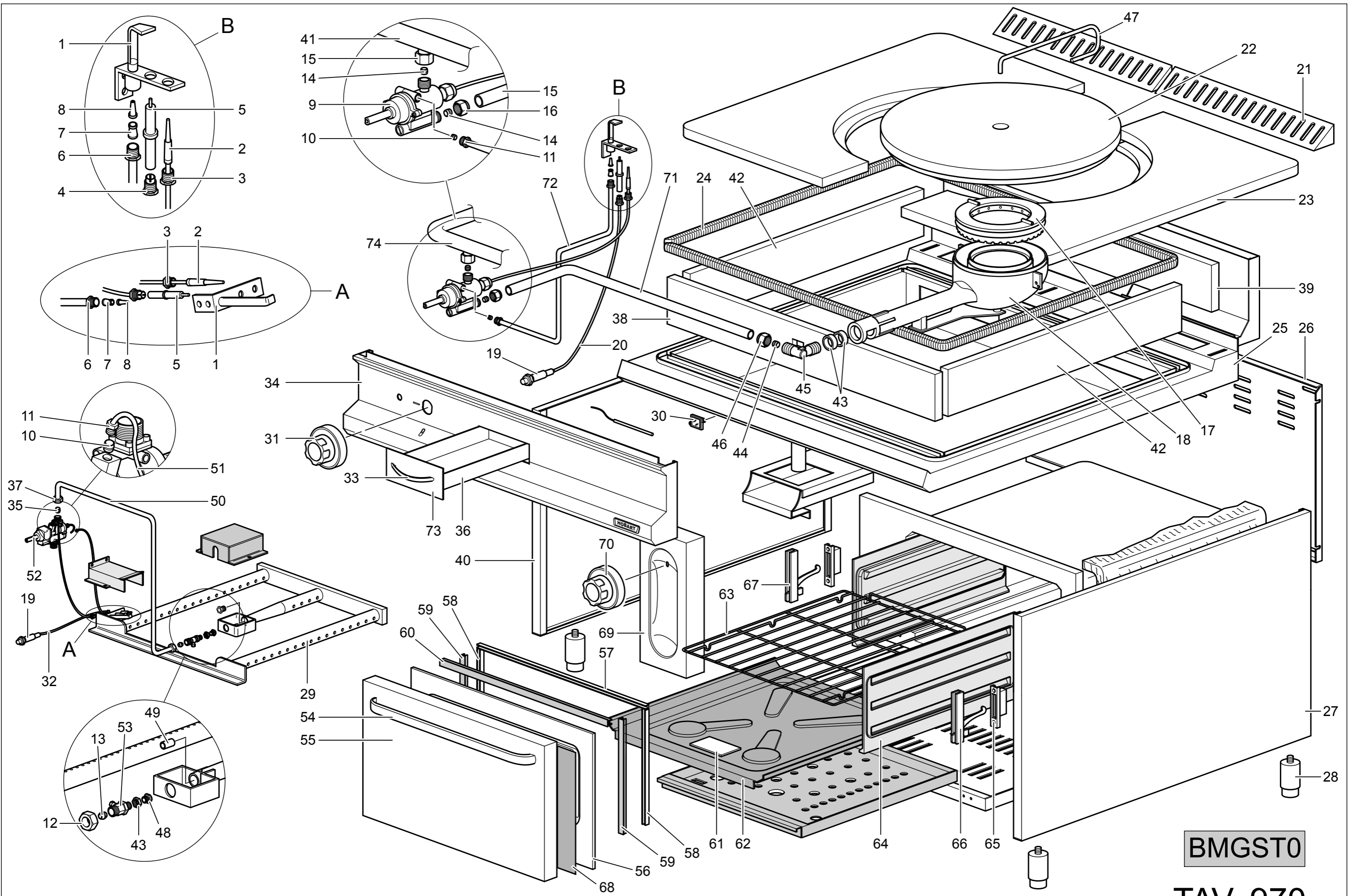


Oven Range
BMGSTO



Spare Parts

CE



BMGST0

TAV. 970

Key N°	Part N°	Description
1	RTCP800034	Pilot
2	RTCU900474	(R) Thermocouple cm. 75
3	RTCP800038	Nut for thermoelement
4	RTCU900215	Fitting for pilot spark plug
5	RTCP800033	(R) Round spark
6	RTCU800182	Cap D. 6
7	RTCU800183	Bicone D. 6
8		
9	RTCU900011	(R) Safety valve knob
10	RTCU900018	Bicone D. 6
11	RTCU900019	Cap D. 6
12	RTCU900013	Cap D. 10
13	RTCU900012	Bicone D. 10
14	RTCU900014	Bicone D. 12
15	RTCU900015	Cap D. 12
16	160581	Burner pipe
17	RTCU800303	Burner cap
18	GACU800171	Burner
19	RTCU700020	(R) Piezo lighting
20	RTCU900384	Lighting cable
21	163222	Grate
22	RIC0002358	Central burner
23	160325	Cooking plane
24	163292	Gasket
25	160201	Work plane
26	162680	Inox back panel
27	162676	Sidepanel right
28	162267	Foot
29	162696	Burner
30	RTBF900054	Spy- hole
31	163067	Safety valve knob
32	RTBF800308	Lighting cable
33	160270	Handle
34	163184	Control panel
35	RTCU900016	Bicone D. 10
36	163122	Oil collecting drawer
37	RTCU900017	Cap D. 10
38	160641	Insulating panel
39	160642	Insulating panel
40	162677	Left side
41	161592	Collector
42	160640	Insulating panel

(R) = - Recommended spare parts

Key N°	Part N°	Description
43	RTC900005	Lock nut
44	RTC800195	Bicone D. 12
45	RTC800180	injector support
46	RTC800181	Cap D. 12
47	RTC900030	Removal hook
48		
49	162717	Burner air shutter
50	162698	Feeding pipe for burner
51	162699	Pilot pipe
52	RTC800011	(R) Gas thermostat
53	162697	Injecteur support
54	164258	Handle
55	162678	Oven door
56	162679	Oven counter door
57	163885	Gasket
58	163886	Gasket
59	163888	Gasket
60	163889	Gasket
61	162701	Cover
62	162955	Oven panel
63	RTC700341	Oven grate
64	162644	Oven lateral panel
65	RTC900004	Hinge support
66	RTC900396	Oven door right hinge
67	RTC900397	Oven door left hinge
68	RTC700397	Insulating panel
69	163224	Control panel
70	163069	Knob
71	160175	Cross bar support for burner
72	160580	Pilot pipe
73	163123	Oil collecting drawer external panel
74	163771	Collector

(R) = - Recommended spare parts



As continued product improvement is a policy of HOBART, specifications are subject to change with-out notice.