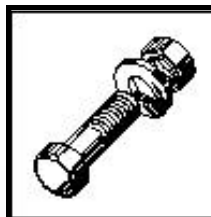




***Gas Fryers***  
**HGF47 - HGF77**  
**HGF472V**

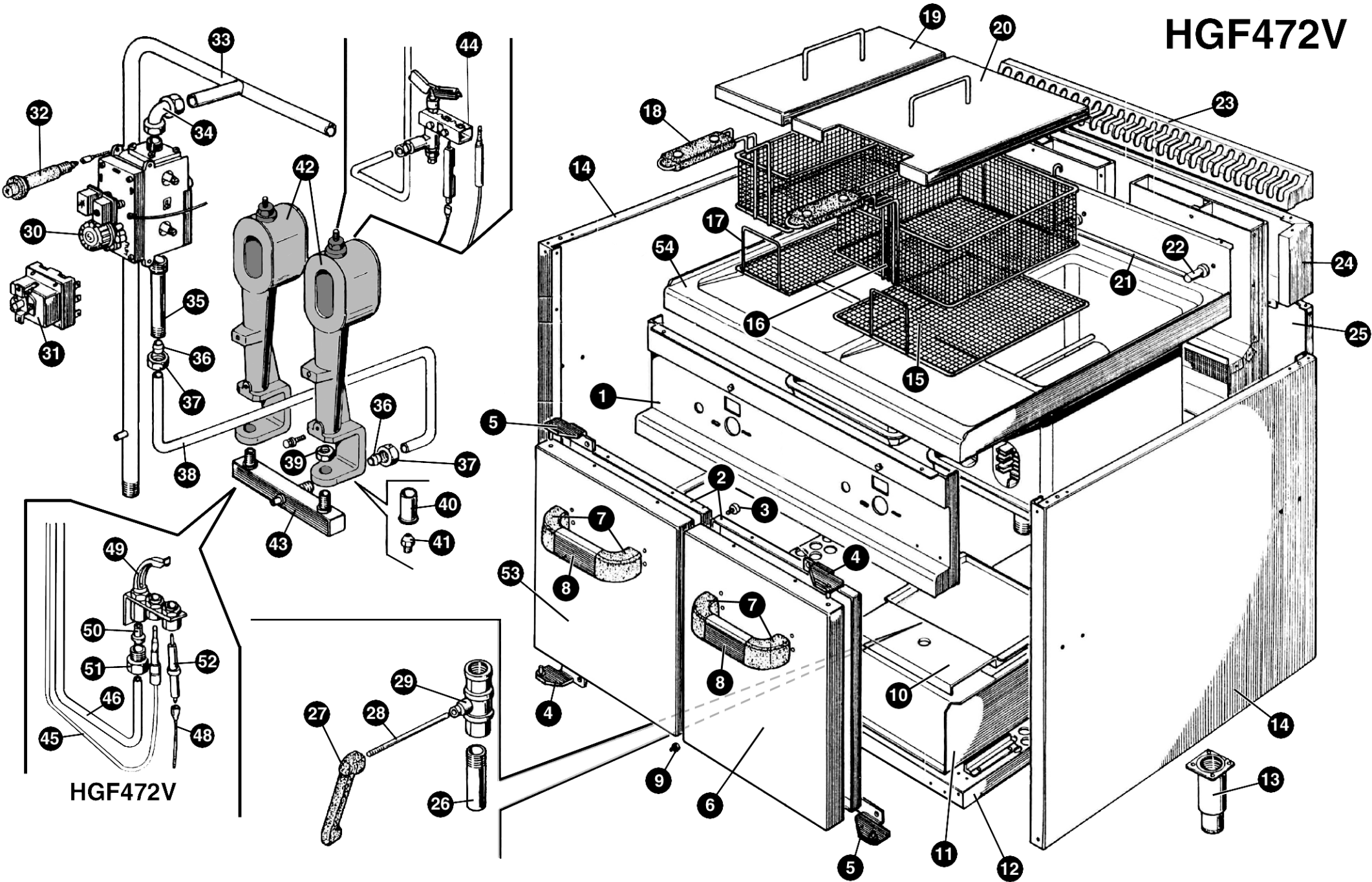


***Spare Parts***



# HOBART

HGF47  
HGF77  
HGF472V



HGF472V

| <b>Key No</b> | <b>Part No</b> | <b>Description</b>         |
|---------------|----------------|----------------------------|
| 1             | GACU700205     | CONTROL PANEL              |
| 2             | PACU700420     | CUPBOARD COUNTER DOOR      |
| 3             | RTTAV00093     | MAGNETIC CONNECTION        |
| 4             | GACU700112     | LEFT HINGE CUPBOARD DOOR   |
| 5             | GACU700113     | RIGHT HINGE CUPBOARD DOOR  |
| 6             | PACU700422     | RIGHT DOOR                 |
| 7             | RTCU700921     | TERMINAL HANDLE            |
| 8             | PACU700421     | CUPBOARD DOOR HANDLE       |
| 9             | RTBF800021     | RUBBER CUP                 |
| 10            | PACU700774     | OIL TANK FILTER            |
| 11            | GACU700206     | OIL TANK                   |
| 12            | PACU700756     | BOTTOM                     |
| 13            | RTCU700277     | STAINLESS STEEL FOOT       |
| 14            | PACU700424     | SIDE                       |
| 15            | RTCU700448     | GRATE FOR BASKET           |
| 16            | A770000150     | BASKET LT. 12              |
| 20            | PACU700755     | TANK COVER                 |
| 21            | PACU700767     | HOOK FOR TANK              |
| 22            | RTCU700658     | CENTRAL SHAFT              |
| 23            | GACU700115     | CHIMNEY GRILL              |
| 24            | PACU700440     | SUPERIOR CHIMNEY           |
| 25            | PACU700423     | STAINLESS STEEL BACK PANEL |
| 26            | RTCU700585     | OIL EXTENSION PIPE         |
| 27            | RTBF800020     | HANDLE                     |
| 28            |                |                            |
| 29            | RTBF800073     | WATER DISCHARGE TAP        |
| 30            | RTCU700642     | GAS VALVE                  |
| 31            | RTBF900094     | LIMIT THERMOSTAT           |
| 32            | RTCU700020     | PIEZO LIGHTING             |
| 33            | RTCU700577     | FEEDING COLLECTOR          |
| 34            | RTCP900066     | COMPLET ELBOW 1/2"         |
| 35            | RTCU700579     | VALVE UNIT EXTENSION       |
| 36            | RTCU900012     | DOUBLE CONE D.10           |
| 37            | RTCP800094     | LOCK NUT/3/8               |
| 38            | RTCU700587     | BURNER DISTRIBUTION PIPE   |
| 39            | RTCU900203     | LOCK NUT                   |
| 40            | RTCU700584     | BURNER AIR SHUTTER         |
| 41            |                |                            |
| 42            | RTCU700575     | BURNER                     |
| 43            | RTCU700578     | INJECTOR SUPPORT           |
| 44            | RTCU700464     | 3 WAYS PILOT               |
| 45            | RTCU700651     | THERMOCOUPLE 75 SC53       |
| 46            | RTCU700588     | PILOT PIPE                 |
| 47            | RTCU900010     | SPARK PLUG                 |
| 48            | RTBF700038     | LIGHTING CABLE             |

| <b>Key No</b> | <b>Part No</b> | <b>Description</b>        |
|---------------|----------------|---------------------------|
| 1             | GACU700208     | CONTROL PANEL             |
| 2             | PACU700482     | COUNTER DOOR              |
| 3             | RTTAV00093     | MAGNETIC CONNECTION       |
| 4             | GACU700112     | LEFT HINGE CUPBOARD DOOR  |
| 5             | GACU700113     | RIGHT HINGE CUPBOARD DOOR |
| 6             | PACU700483     | RIGHT DOOR                |
| 8             | PACU700421     | CUPBOARD DOOR HANDLE      |
| 9             | RTBF800021     | RUBBER CUP                |
| 10            | PACU700774     | OIL TANK FILTER           |
| 11            | GACU700206     | OIL TANK                  |
| 12            | PACU700779     | BOTTOM                    |
| 13            | RTCU700277     | STAINLESS STEEL FOOT      |
| 14            | PACU700424     | SIDE                      |
| 15            | RTCU700448     | GRATE FOR BASKET          |
| 16            | A770000150     | BASKET LT. 12             |
| 20            | PACU700755     | TANK COVER                |
| 21            | PACU700790     | HOOK FOR TANK             |
| 22            | RTCU700567     | CENTRAL PIN FOR HOOK      |
| 23            | GACU700118     | CHIMNEY GRILL             |
| 24            | PACU700492     | SUPERIOR CHIMNEY          |
| 26            | RTCU700585     | OIL EXTENSION PIPE        |
| 27            | RTBF800020     | HANDLE                    |
| 29            | RTBF800073     | WATER DISCHARGE TAP       |
| 30            | RTCU700642     | GAS VALVE                 |
| 31            | RTBF900094     | LIMIT THERMOSTAT          |
| 32            | RTCU700020     | PIEZO LIGHTING            |
| 33            | RTCU700576     | FEEDING COLLECTOR         |
| 34            | RTCP900066     | COMPLET ELBOW 1/2"        |
| 35            | RTCU700579     | VALVE UNIT EXTENSION      |
| 36            | RTBF800137     | DOUBLE CONE D.14          |
| 37            | RTBF800015     | NUT                       |
| 38            | RTCU700587     | BURNER DISTRIBUTION PIPE  |
| 40            | RTCU700584     | BURNER AIR SHUTTER        |
| 42            | RTCU700575     | BURNER                    |
| 43            | RTCU700578     | INJECTOR SUPPORT          |
| 44            | RTCU700464     | 3 WAYS PILOT              |
| 46            | RTCU700588     | PILOT PIPE                |
| 47            | RTCU900010     | SPARK PLUG                |
| 48            | RTBF700038     | LIGHTING CABLE            |
| 53            | PACU700484     | Left Door                 |

| <b>Key No</b> | <b>Part No</b> | <b>Description</b>              |
|---------------|----------------|---------------------------------|
| 1             | GACU700209     | CONTROL PANEL                   |
| 2             | PACU700420     | CUPBOARD COUNTER DOOR           |
| 3             | RTTAV00093     | MAGNETIC CONNECTION             |
| 4             | GACU700112     | LEFT HINGE CUPBOARD DOOR        |
| 5             | GACU700113     | RIGHT HINGE CUPBOARD DOOR       |
| 6             | PACU700422     | RIGHT DOOR                      |
| 8             | PACU700421     | CUPBOARD DOOR HANDLE            |
| 9             | RTBF800021     | RUBBER CUP                      |
| 10            | PACU700774     | OIL TANK FILTER                 |
| 11            | GACU700206     | OIL TANK                        |
| 12            | PACU700756     | BOTTOM                          |
| 13            | RTCU700277     | STAINLESS STEEL FOOT            |
| 14            | PACU700424     | SIDE                            |
| 17            | RTCU700449     | GRATE FOR BASKET                |
| 18            | A770000140     | BASKET LT. 7                    |
| 19            | PACU700785     | TANK COVER                      |
| 21            | PACU700767     | HOOK FOR TANK                   |
| 23            | GACU700115     | CHIMNEY GRILL                   |
| 24            | PACU700440     | SUPERIOR CHIMNEY                |
| 25            | PACU700423     | STAINLESS STEEL BACK PANEL      |
| 26            | RTCU700585     | OIL EXTENSION PIPE              |
| 27            | RTBF800020     | HANDLE                          |
| 29            | RTBF800073     | WATER DISCHARGE TAP             |
| 30            | RTCU700642     | GAS VALVE                       |
| 31            | RTBF900094     | LIMIT THERMOSTAT                |
| 32            | RTCU700020     | PIEZO LIGHTING                  |
| 33            | RTCU700582     | FEEDING COLLECTOR               |
| 34            | RTCP900066     | COMPLET ELBOW 1/2"              |
| 35            | RTCU700589     | VALVE UNIT EXTENSION            |
| 38            | RTCU700590     | BURNER DISTRIBUTION PIPE        |
| 40            | RTCU700584     | BURNER AIR SHUTTER              |
| 42            | RTCU700575     | BURNER                          |
| 43            | RTCU700001     | INJACTOR SUPPORT                |
| 45            | RTCU700652     | THERMOCOUPLE                    |
| 46            | RTCU700591     | PILOT PIPE                      |
| 49            | RTCP800034     | PILOT BODY                      |
| 50            | RTCP800041     | INJECTOR PILOT Ø 0,19 FOR LPG   |
| 50            | RTCP800059     | NATURAL GAS INJEC. PILOT Ø 0,27 |
| 51            | RTCP800038     | THERMOCOUPLE FITTING            |
| 52            | RTCP800033     | SPARK PLUG                      |
| 53            |                |                                 |



As continued product improvement is a policy of HOBART, specifications are subject to change with-out notice.

02.05.2003-Issue-1