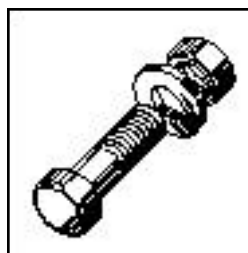
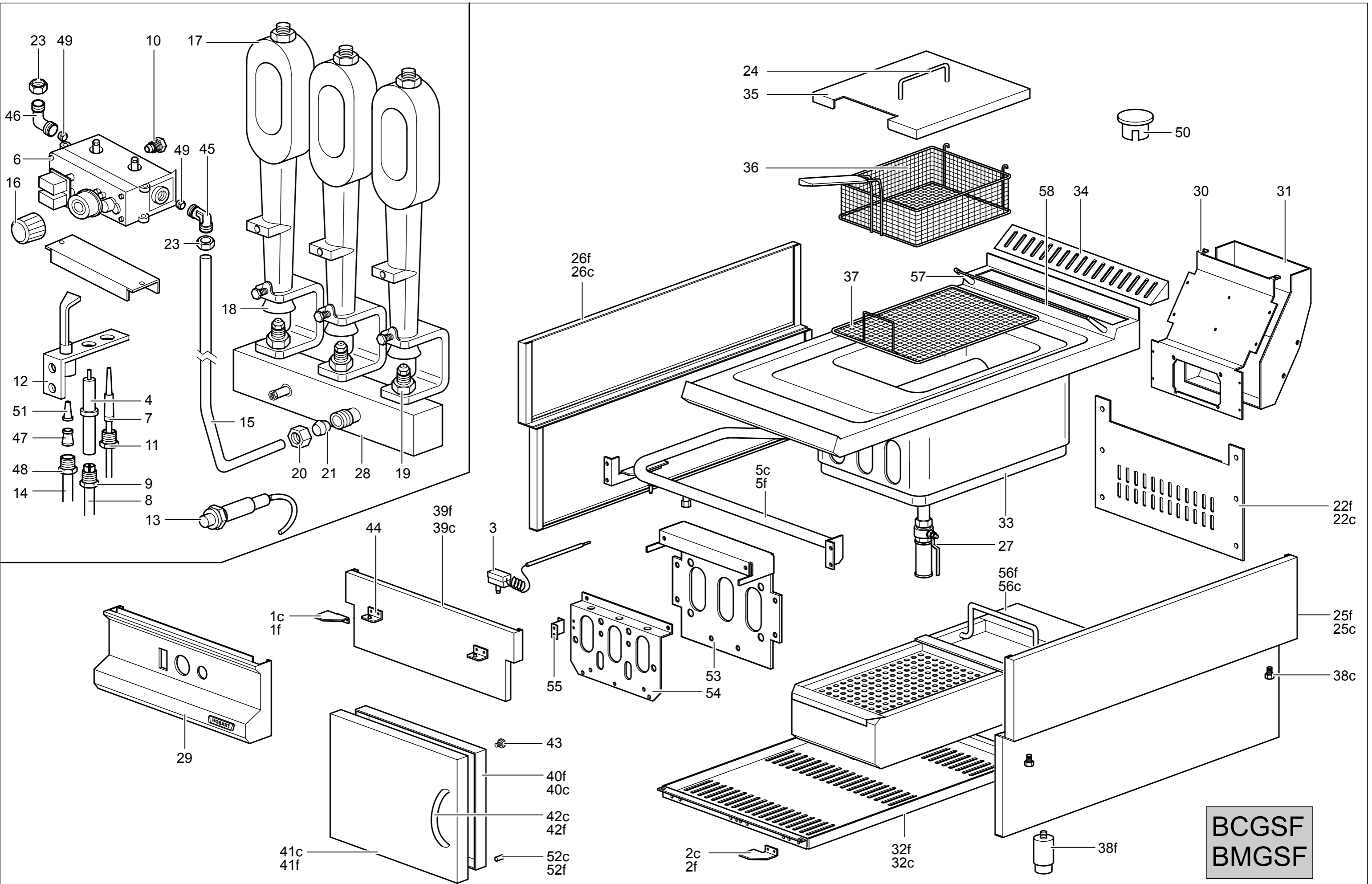




BCGSF
BMGSF
Gas Fryer



Spare Parts



HOBART

BCGSF
BMGSF

TAV. 918

| Key N° | Part N° | | Description |
|--------|------------------|-----|----------------------------|
| 1c | 164962 | | RIGHT HINGE |
| 1f | 162199 | | FREE STANDING RIGHT HINGE |
| 2c | 164963 | | LEFT HINGE |
| 2f | 162198 | | FREE STANDING LEFT HINGE |
| 3 | RTBF900094 | (R) | T.L. T230 |
| 4 | RTCP800033 | (R) | ROUND SPARK |
| 5c | 160086 | | COLLECTOR |
| 5f | 161665 | | FREE STANDING COLLECTOR |
| 6 | RTCU700574 | (R) | VALVE |
| 7 | RTCU700652 | (R) | THERMOCOUPLE |
| 8 | RTCU800144 | (R) | LIGHTING CABLE |
| 9 | RTCU900215 | | FITTING |
| 10 | RTCU900217 | | BICONE + FITTING Ø6 |
| 11 | RTCP800038 | | FITTING |
| 12 | RTCP800034 | (R) | PILOT |
| 13 | RTCU700020 | (R) | PIEZO IGNITION + NUT |
| 14 | 160637 | | PILOT PIPE |
| 15 | 163542 | | BURNER FEEDING PIPE |
| 16 | RTCU900222 | | VALVE SAFETY KNOB |
| 17 | 161820 | | BURNER |
| 18 | RTCU700584 | | BURNER AIR SHUTTER |
| 19 | VEDI MAN. UGELLI | | INJECTOR |
| 20 | RTCP900089 | | NUT Ø 14 |
| 21 | RTCP900088 | | BICONE Ø14 |
| 22c | 160066 | | BACK CROSSBAR |
| 22f | 165920 | | BACK STAINLESS STEEL PANEL |
| 23 | RTBF800015 | | NUT Ø 14 |
| 24 | RTBF800020 | | COVER |
| 25c | 160433 | | RIGHT SIDE |
| 25f | 162676 | | FREE STANDING RIGHT SIDE |
| 26c | 160434 | | LEFT SIDE |
| 26f | 162677 | | FREE STANDING LEFT SIDE |
| 27 | RTBF800073 | | WATER DISCHARGE TAP |
| 28 | 160599 | | INJACTOR SUPPORT |
| 29 | 163179 | | CONTROL PANEL |
| 30 | 164722 | | FLUE REAR WALL |
| 31 | 164723 | | FLUE FRONT WALL |
| 32c | 160069 | | LOWER PLANE INOX |
| 32f | 162725 | | LOWER PLANE INOX |
| 33 | 163845 | | BOWL |
| 34 | 163222 | | WORK PLANE GRATE |
| 35 | 160392 | | TANK COVER |
| 36 | 160036 | | GRATE FOR BASKET |

c = cantilever (counter top)

f = modular (freestanding)

(R) = - Recommended spare parts

| Key N° | Part N° | Description |
|--------|------------------|----------------------------------|
| 37 | 160038 | BASKET |
| 38c | RTCU700324 | FOOT |
| 38f | 162267 | FREE STANDING FOOT |
| 39c | 160109 | FRONT CROSSBAR |
| 39f | 162724 | FRONT CROSSBAR |
| 40c | 160083 | COUNTER DOOR |
| 40f | 162197 | FREE STANDING COUNTER DOOR |
| 41c | 160084 | DOOR A. |
| 41f | 162196 | FREE STANDING DOOR |
| 42c | 160270 | COVER |
| 42f | 162457 | COVER |
| 43 | RTTAV00093 | MAGNET |
| 44 | 160028 | BRACKET TO FIX THE CONTROL PANEL |
| 45 | RTBF800119 | FITTING |
| 46 | RTCP900066 | ELBOW |
| 47 | RTCU800183 | BICONE Ø6 |
| 48 | RTCU800182 | NUT Ø 6 |
| 49 | RTBF800137 | BICONE Ø14 |
| 50 | 163603 | PLUG |
| 51 | VEDI MAN. UGELLI | INJECTOR |
| 52c | RTBF800021 | DOOR RUBBER CAP |
| 52f | 165595 | DOOR RUBBER CAP |
| 53 | 163553 | REAR WALL |
| 54 | 163554 | FRONT WALL |
| 55 | 160528 | BRACKET TO SUPPORT PILOT |
| 56c | 161537 | OIL TANK |
| 56f | 160956 | OIL TANK |
| 57 | 160408 | PIN FOR HOOK |
| 58 | 160409 | HOOK FOR TANK |

c = cantilever (counter top)

f = modular (freestanding)

(R) = - Recommended spare parts