

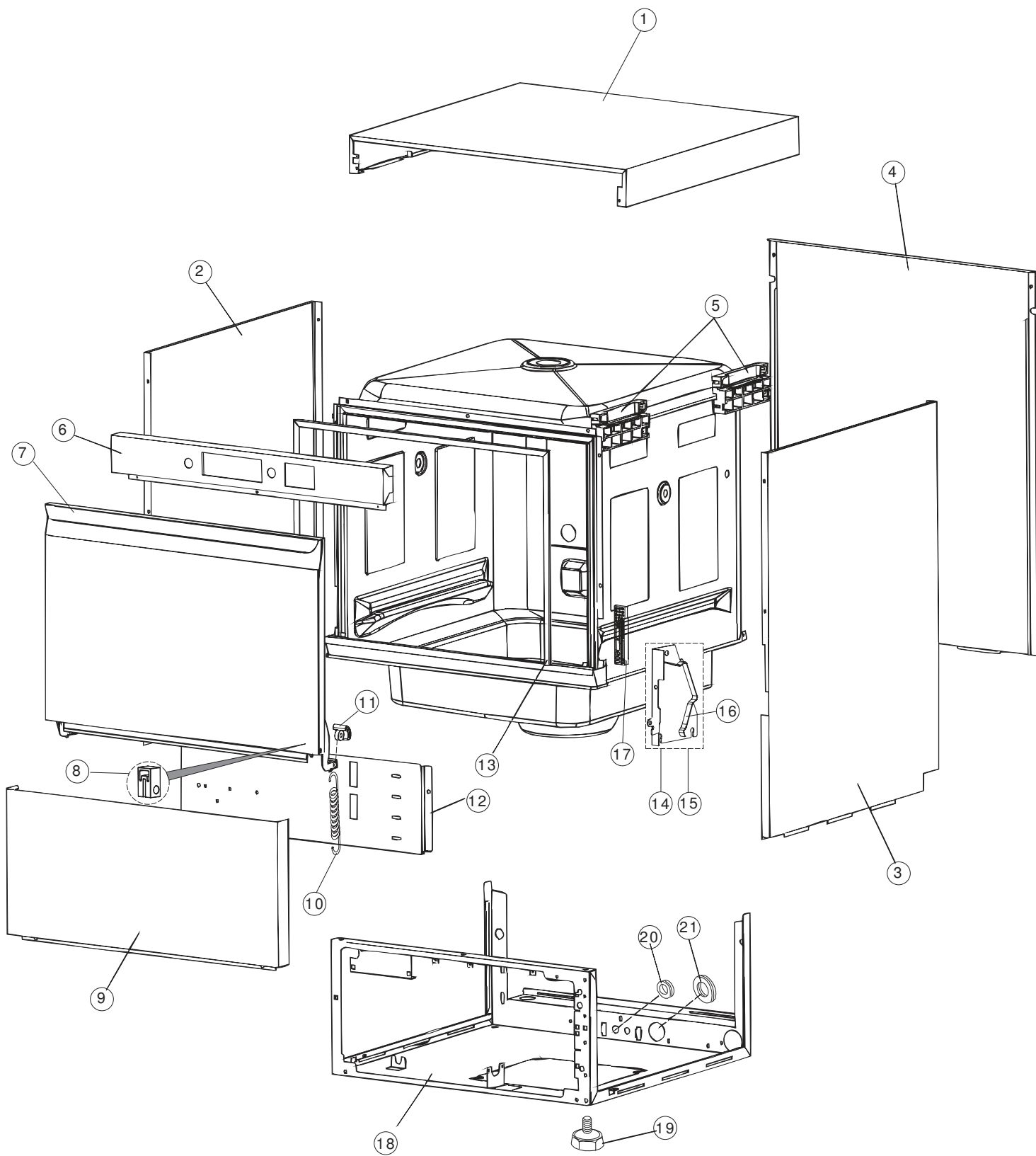
HOBART

SPARE PARTS CATALOGUE
ERSATZTEILKATALOG
CATALOGUE PIECES DETACHEES
CATALOGO PARTI RICAMBIO
CATALOGO DE PIEZAS DE RECAMBIO
CATALOGO PEÇAS DE REPOSIÇÃO

H.60

26-04-2010

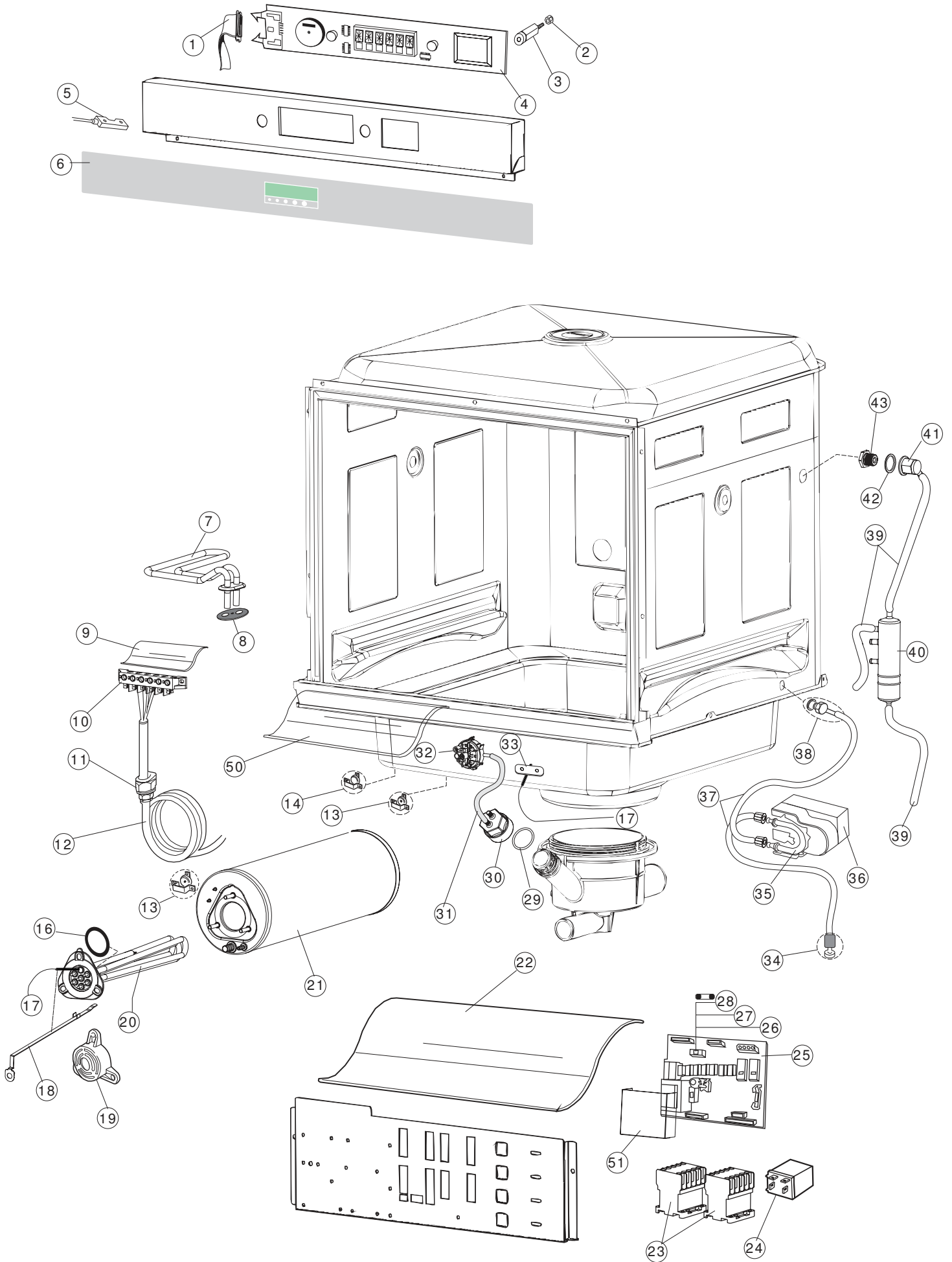
1



Pagina 1

1	004175	CAPPELLO LA50 COVER LA50 GEHAEUSEOBERTEIL LA50 CAPOT SUPERIEUR LA50	
2	021116	FIANCO SX. SIDE PANEL LEFT SEITENWAND LINKS FLASQUE LATERALE GAUCHE LA50	
3	021115	FIANCO DX.LA50 SIDE PANEL RIGHT SEITENWAND RECHTS.LA50 FLASQUE LATERALE DROITE LA50	
4	022146	PANNELLO POSTERIORE LA50 REAR PANEL LA50 RUECKWAND LA50 PANNEAU ARRIERE	
5	035083	STAFFA FISSA FIANCHI-CAPPELLO LA50 BRACKET LA50 BUEGEL LA50 ÉTRIER LA50	
6	025956	PANNELLO COMANDI INOX RIVER (LA50) CONTROL PANEL RIVER (LA50) BEDIENFELD RIVER (LA50) PANNEAU DE COMMANDES RIVER (LA50)	
7	029573	PORTA LA50 TERZ.CPL. COMPLETE DOOR LA50 TERZ.CPL. TUER KOMPLETT LA50 TERZ.CPL. PORTE COMPLETE LA50 TERZ.CPL.	
8	310013	BLOCCHETTO CENTRAGGIO CERN-PERNO LA50 HINGE-PIVOT CENTERING BLOCK LA50 ZENTRIERBLOCK SCHARN-BOLZEN LA50 BLOC DE CENTRAGE CHARN-AXE LA50	
9	012318	FRONTALINO LA50 FRONT PANEL LA50 FRONTBLENDE LA50 PANNEAU AVANT LA50	
10	449059	MOLLA BILANCIAMENTO PORTA LA50 SPRING FEDER RESSORT	
11	307014	BATTUTA X MOLLA BILANC.E CHIUSURA STOP FOR BALANCE AND CLOSING SPRING ANSCHLAG X AUSGL. UND SCHLISSFEDER BUTÉE P/RESSORT ÉQUIL.ET FERMETURE	
12	035081	STAFFA COMP.ELETTRICI LA50 BRACKET BEF.WINKEL EQUERRE	
13	437103	GUARNIZIONE PORTA DOOR GASKET TUERDICHTUNG JOINT PORTE	
14	999259	GRUPPO STAFFA + MOLLA SAGOM. DX PORTA	
15	999260	GRUPPO STAFFA + MOLLA SAGOM. DX PORTA	
16	449058	MOLLA SAGOMATA APERTURA/CHIUS.PORTA LA50 SPRING FEDER RESSORT	
17	307015	BATTUTA ASTA PORTA LA50 DOOR ROD STOP LA50 BUEGELLAGER F. TUERSTANGE LA50 BUTÉE TIGE DE PORTE LA50	

18	040119	ZOCOLO	
19	461026	PIEDINO HEXAGONAL FOOT ADJUSTABLE SECHSKANTFUSS VERRIN HEXAGONAL REGLABLE	
20	459006	PASSACAVO Di9/De16 22 FAIRLEAD, Di9/De16 22 KABELDURCHGANG, Di9/De16 22 PASSE-CABLE Di9/De16 22	
21	459004	PASSATUBO GOMMA DI.34 PIPEHOLDER, RUBBER DI.34 ROHRDURCHGANG, GUMMI DI.34 SUPPORT-TUYAU CAOUTCHOUC DI.34	

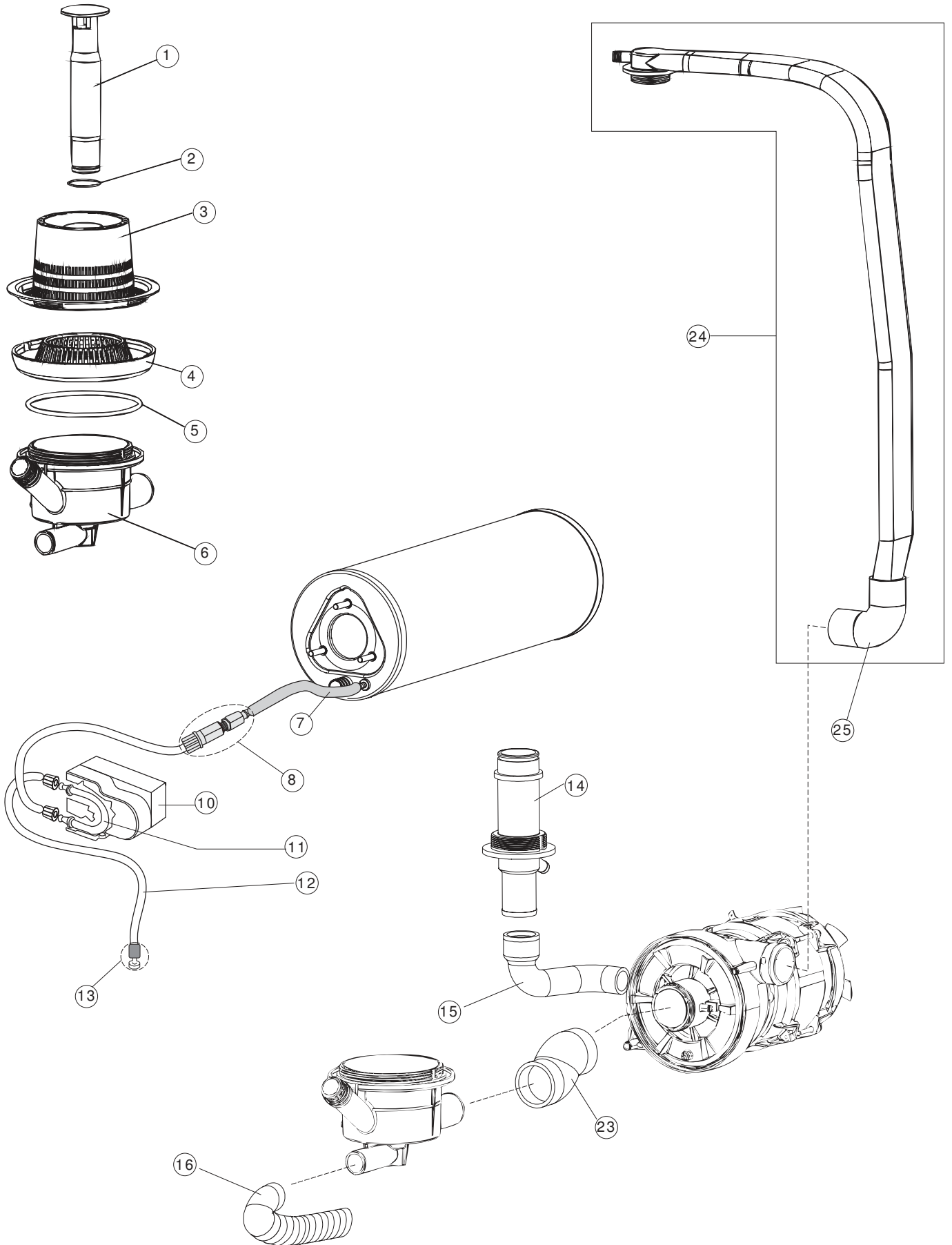


Pagina 2

1	211013	CAVO FLAT 10 VIE X PULS.SOFT TOUCH GET 5 FLAT WIRE CABEL CABLE	
2	417119	DADO M3 PLASTICA BIANCO NUT, M3 PLASTIC WHITE SCHRAUBENMUTTER, M3 KUNST. WEISS ECROU M3 PLASTIQUE BLANC	
3	419036	DISTANZIALE M3 SPACER, M3 ABSTANDSSTÜCK, M3 ENTRETOISE M3	
4	227083	SCHEDA COMANDI BUTTON PAD TASTENFELD CLAVIER	
5	211002	CONT.MAGNETICO+CAVO 302N.Ocm25 CONTACT, MAGNETIC+CABLE 302N.Ocm25 KONTAKT, MAGNET.+KABEL 302N.Ocm25 CONT. MAGNETIQUE+CABLE 302N.Ocm25	
6	026207	POLIESTERE POLYESTERE POLYESTERE POLYESTERE	
7	230112	RESISTENZA V 1400W-230V - LA50	
8	437086	GUARNIZIONE RESISTENZA VASCA GASKET, TANK RESISTANCE DICHTUNG, TANKWIDERSTAND JOINT RESISTANCE CUVE	
9	214088	PROTEZ.ELETTR.TRASP.CL.3 EL.PROTECTION,TRANSP.CL.3 EL.SCHUTZ,TRANSP.KL.3 PROTECT.ELECTR.TRANSP.CL.3	
10	220011	* MORSETTIERA 5.POLI + TERRA FV.122 * TERMINAL BOARD, 5-POLES + EARTH FV.122 * KLEMMENBRETT, 5-POLIG + ERDUNG FV.122 * PLAQUE A BORNE 5POLES + TERRE FV.122	
11	459005	FISSACAVO STEAB art.5024 CABLE CLAMPS, STEAB art.5024 KABELKLIPPS, STEAB Art.5024 FIXE-CABLE STEAB art.5024	
12	H.374339-2	CAVO MACCHINA H07RN-F 5X2.5X3.0MT CABLE H07RN-F 5X2.5X3.0MT MASCHINE KABERL H07RN-F 5X2.5X3.0MT CABLE MACHINE H07RN-F 5X2.5X3.0MT	
13	236047	TERM.CONTATTO VASCA/S.95ø+/-3ø THERM.,CONT. TANK/S.95ø+/-3ø THERM.,KONT. TANK/S.95ø+/-3ø THERM.CONTACT CUVE/S.95ø+/-3ø	
14	236048	TERM.CONTATTO BOILER/L.80ø+/-3ø(2611354) THERM.,CONT. BOILER/L.80ø+/-3ø(2611354) THERM.,KONT. BOILER/L.80ø+/-3ø(2611354) THERM.CONTACT CHAUDIERE/L.80ø+/-3ø(2611354)	
16	456002	OR 48x6,2 O-ring 48x6,2 O-Ring 48x6,2 OR 48x6,2	
17	231014	SONDA TEMPERATURA GET-5 PROBE, TEMP. GET-5 SONDE, TEMP. GET-5 SONDE TEMPERATURE GET-5	
18	69871	PORTASONDA PROBE HOLDER SONDENHALTER PORTE-SONDE	

19	69870	PROTEZIONE RESISTENZA BOILER BOILER HEATING ELEMENT PROTECTION HEIZUNGSSCHUETZ DES WARMWASSERBEREITERS PROTECTION RESISTANCE BOILER	
20	230083	RES.B.5500W220/380V-6545W240/415V 66 RES.B.5500W220/380V-6545W240/415V 66 WIDER.B.5500W220/380V-6545W240/415V 66 RES.B.5500W220/380V-6545W240/415V 66	
21	104061	BOILER CRP LA50 BOILER CRP BOILER CRP SURCHAUFFEUR CRP	
22	214108	PROTEZIONE TRASPARENTE PER IMPIANTO ELETTRICO PER TRANSPARENT PROTECTION FOR ELECTRIC INSTALLATION F DURCHSICHTIGER SCHUETZ FUER ELEKTRISCHE ANLAGE DE PROTECTION TRANSPARENTE POUR INSTALLA- TION ELECTF	
23	H.775599-001	* CONTATTORE QUADRIPOLE 240V-50/60HZ * CONTACTOR, QUADRIPOLE 240V-50/60HZ * SCHALTSCHÜTZ, 4-POLIG 240V-50/60HZ * CONTACTEUR QUADRIPOLAIRE 240V-50/60HZ	
24	229029	RELE' FINDER 65.31 230/50 RELAY FINDER 65.31 230/50 RELAIS FINDER 65.31 230/50 RELAIS FINDER 65.31 230/50	
25	215032	SCHEDA ELETTRONICA GET50 MAIN BOARD KARTE CARTE ELECTRONIQUE	
26	228012	FUSIBILE 5X20 T100MA FUZE SICHERUNG FUSIBLE	
27	228011	FUSIBILE 5X20 T2A FUZE SICHERUNG FUSIBLE	
28	228004	FUSIBILE 5X20 4A FAST FUZE, 5X20 4A FAST SICHERUNG, 5X20 4A FAST FUSIBLE 5X20 4A FAST	
29	456073	OR(50825)CAMPANA PRESS.LA50 O-RING O-RING O-RING	
30	107013	CAMPANA PRESSOSTATO PRESSURE SWITCH AIR BELL LUFT-GLOCKE DES DRUCKSCHALTERS CLOCHE PRESSOSTAT	
31	143235	TUBO 4x7 SILICONE TRASPARENTE CRP PIPE 4x7 SILICONE, TRANSP. CRP ROHR 4x7 SILICON, DURCHSICHT. CRP TUYAU 4x7 SILICONE TRANSPARENT CRP	
32	224025	PRESSOSTATO 105/125 MAIN PRESSURE SWITCH 105/125 ARBEITSDRUCKWAECHTER 105/125 PRESSOSTAT DE TRAVAIL 105/125	
33	028105	PIASTRINA FERMA SONDA FIXING PLATE PLATCHEN PLAQUETTE FISSAGE	
34	121143	FILTRO PER POMPA DETERGENTE DETERGENT PUMP FILTER (S6754) SIEB FUER SPUELMITTELPUMPE FILTRE POUR POMPE DETERGENT	
35	143258	TUBETTO 6X10 TUBE 6X10 FLASCHEN 6X10 TUBE 6X10	
36	209028	DOSAT.PERIST.DETERGENTE P/FISSA	

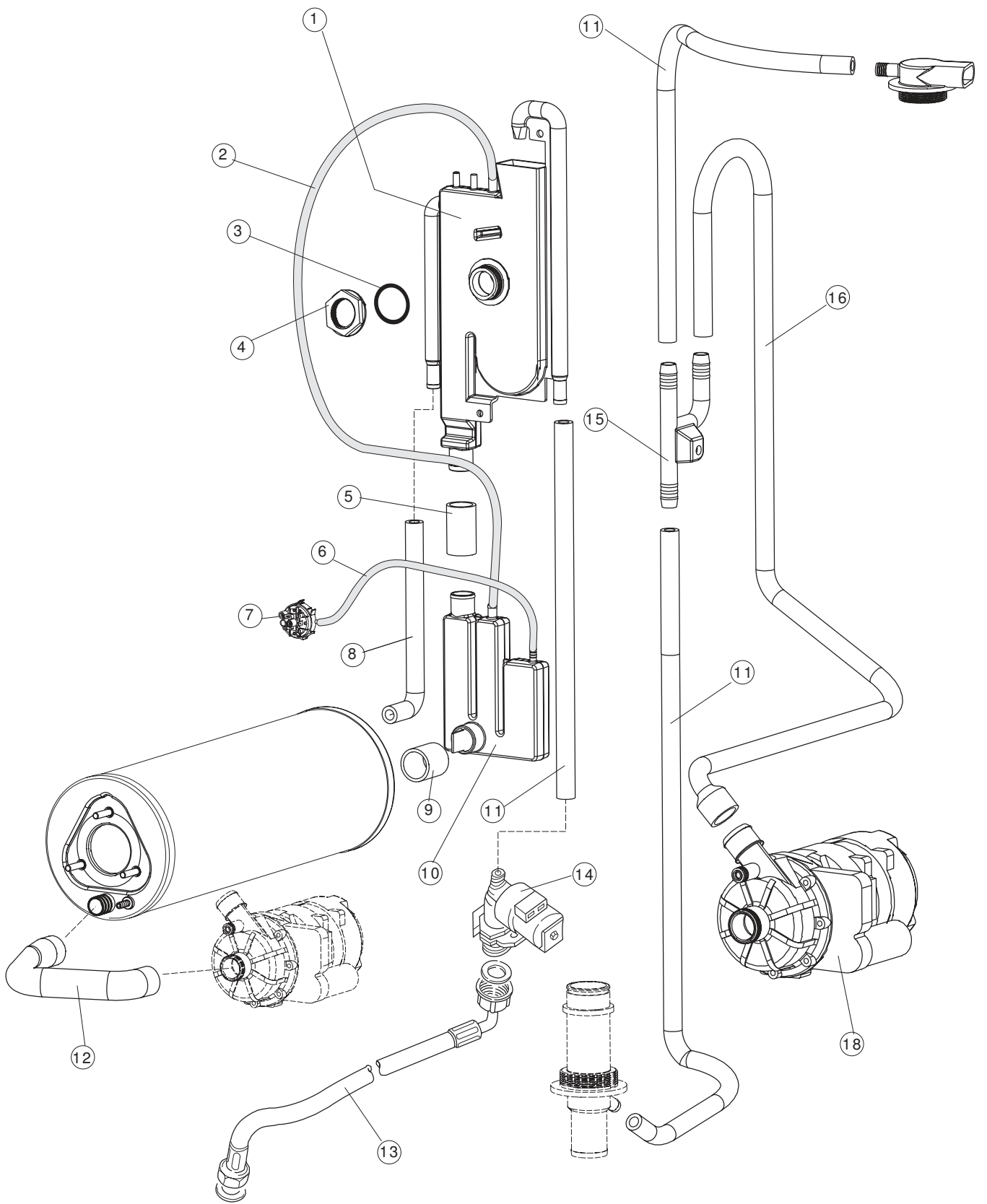
37	143194	TUBO 4x6 CRISTAL TRASPARENTE PIPE 4x6 CRISTAL, TRANSP. ROHR 4x6 CRISTAL, DURCHS. TUYAU 4x6 CRISTAL TRANSPARENT	
38	468151	RACCORDO ENTRATA SAPONE CPL NM * SALDATO UNION, EXTRA DET. CPL NM * WELDED VERBINDUNGSST., SEIFENEINTRITT CPL NM * GESCHW. RACCORD ENTREE SAVON CPL NM * SOUDE	
39	H.165178	TUBO PVC 5X8 CRUSTAL TRASPARENTE PVC PIPE PVC SCHLAUCH TUYAU PVC	
40	144028	SERBATOIO SOFT-START LA50	
41	468029	RACCORDO CAMPANA PRESSOSTATO UNION, PRESSURE SWITCH BELL VERBINDUNGSST., DRUCKSCHALTERGLOCKE RACCORD BOITE PRESSOSTAT	
42	456020	OR 3050 R495 O-ring 3050 R495 O-Ring 3050 R495 OR 3050 R495	
43	429076	GHIERA VALVOLA SFIATO PS LA50	
50	214109	PROTEZIONE TRASPARENTE PER IMPIANTO ELETTRICO PER TRANSPARENT PROTECTION FOR ELECTRIC INSTALLATION F DURCHSICHTIGER SCHUETZ FUER ELEKTRISCHE ANLAGE DE PROTECTION TRANSPARENTE POUR INSTALLA- TION ELECTF	
51	214110	PROTEZIONE SCHEDA ELETTRONICA LA50 PLASTIC PROTECTION PROTECTION PLASTIQUE	



Pagina 3

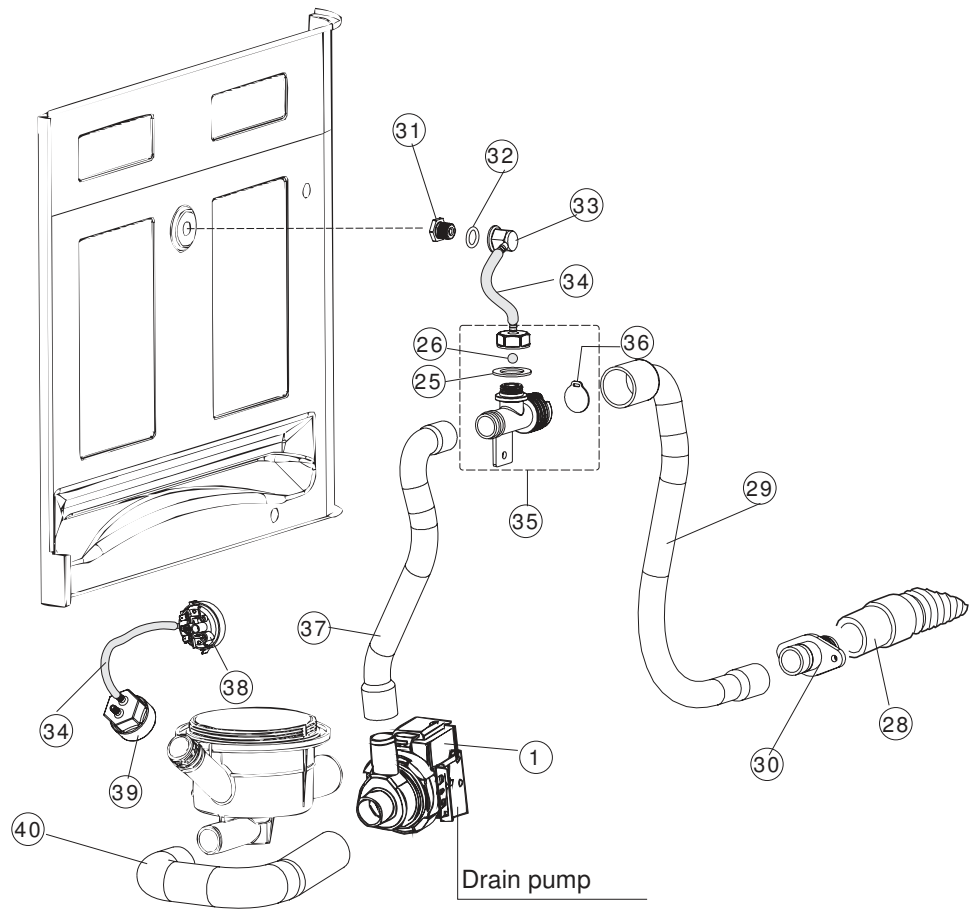
1	142058	TROPPO PIENO LA50 OVERFLOW PIPE LA50 UEBERLAUFROHR LA50 BONDE DE SURVERSE LA50	
2	456081	O-RING O-RING O-RING O-RING	
3	121120	FILTRO BASE COMPLETO LA50 FILTER COMPLETE SIEB FILTRE COMPLETE	
4	429072	GHIERA CORPO ASPIR./SCARICO LA50	
5	456076	OR.D.I.135.9X5.33 ART.53125 OR.D.I.135.9X5.33 ART.53125 TORISCHE DICHTUNG D.I.135.9X5.33 JOINT TORIQUE D.I.135.9X5.33	
6	136028	CORPO ASPIR./SCARICO LA50 ASPIRATION AND DRAIN BODY LA50 ABSAUG-UND ABFLUSSKOERPER LA50 CORPS D'ASPIRATION/VIDANGE LA50	
7	143005	TUBO PRESS.TP 5x11 (CASER/15/NL C4N) PIPE, PRESSURE SWITCH TP 5x11 (CASER/15/NL C4N) ROHR, DRUCKSCHALTER TP 5x11 (CASER/15/NL C4N) TUYAU PRESS.TP 5x11 (CASER/15/NL C4N)	
8	468207	RACCORDO	
10	209030	DOSAT.PERIST.BRILLANTANTE P/FISSA	
11	143259	TUBETTO SILICONE 6X10 RACCORDI+GHIERE TUBE 6X10 FLASCHEN 6X10 TUBE 6X10	
12	H.775601	TUBO 4x6 CRISTAL BLUE PVC PIPE 4x6 CRISTAL BLUE PVC ROHR 4x6 CRISTAL BLAU PVC TUYAU 4x6 CRISTAL BLEU PVC	
13	121143	FILTRO PER POMPA DETERSIVO DETERGENT PUMP FILTER (S6754) SIEB FUER SPUELMITTELPUMPE FILTRE POUR POMPE DETERGENT	
14	115143	CONDOTTO CENTRALE INF.LA50 TAPPO DOS. UPPER CENTRAL PIPE LA50 ZENTRALLEITUNG OBEN LA50 CONDUIT CENTRAL INFERIEUR LA50	
15	127085	MANICOTTO MANDATA INF.LA50 PUMP INTAKE COUPLING LA50 SAUGMUFFE PUMPE LA50 MANCHON ASPIRATION POMPE LA50	
16	143252	TUBO SCARICO LA50 DRAIN HOSE ABLAUFLEITUNG TUYAU VIDANGE	
23	127082	MANICOTTO ASPIRAZIONE MANCHON REFOULEMENT RINÇAGE NACHSPUEL-FOERDERUNGSBOGEN RINSE DELIVERY ELBOW	
24	115140	CONDOTTA.LAV.SALD.LA50 WELDED PLASTIC PIPE LA50 VEREINTE WASCHELEITUNG LA50 DURITE	

25	127084	MANICOTTO MANDATA SUP.LA50 UPPER DELIVERY COUPLING OBERE DRUCKMUFFE MANCHON DE REFOULEMENT	
----	--------	---	--



Pagina 4

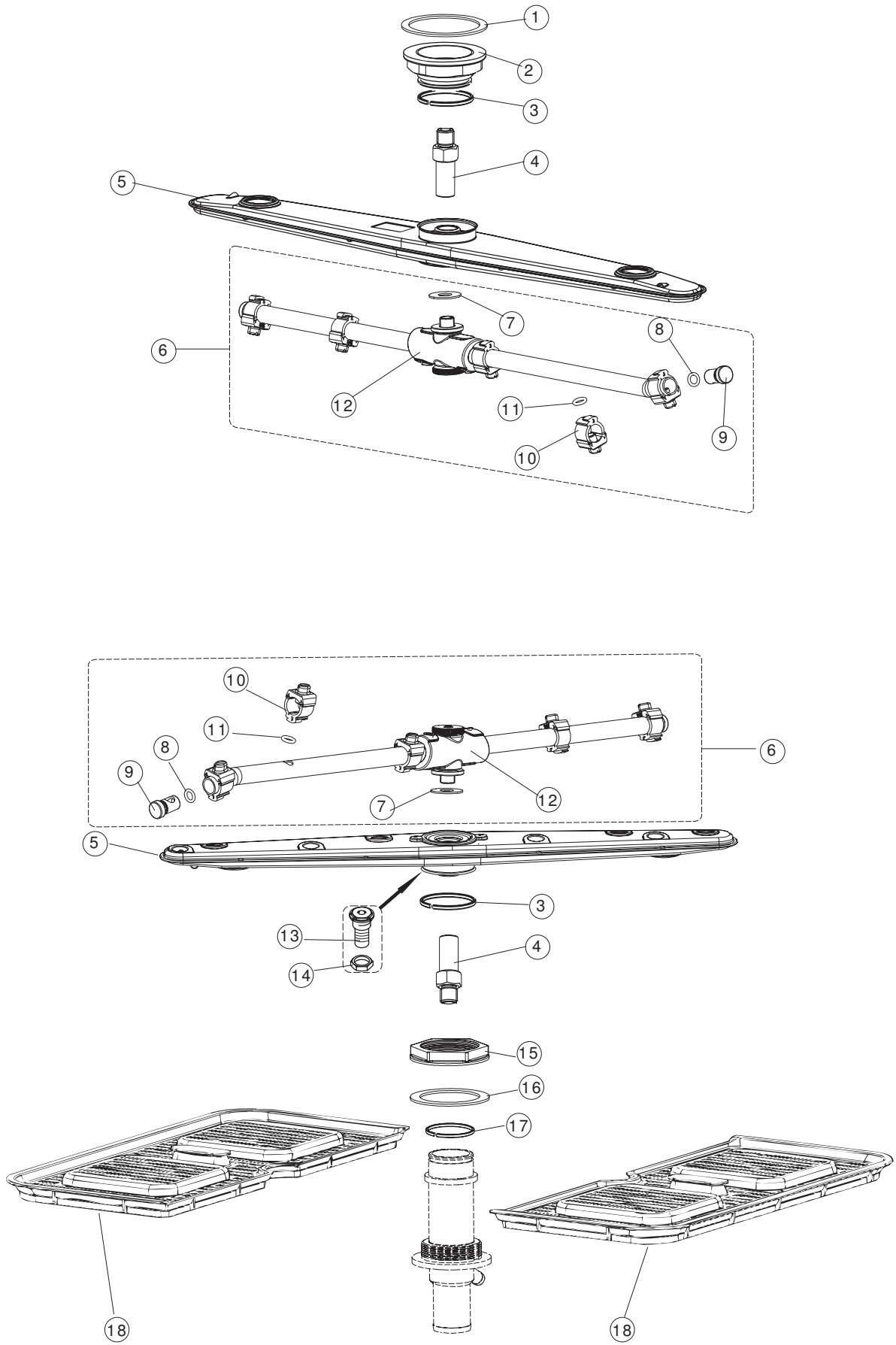
1	144021	AIRGAP SPECIALE LA50 PLASTIC AIRGAP AIR GAP GEOFFNETER BEHAELTER AIRGAP SPECIAL LA50	
2	H.165168	TUBO PVC 6X9 CRISTAL TRASP. RAUCLAIR PVC PIPE PVC SCHLAUCH TUYAU PVC	
3	437104	GUARNIZIONE D45D33S2 EPDM 70SH RUBBER GASKET DICHTUNG JOINT	
4	417125	DADO IN PLAST.CON COLLARE(171571) NUT MUTTER ECROU	
5	127096	MANICOTTO BREAK TANK->SISTEMA CRP LA50	
6	143235	TUBO 4x7 SILICONE TRASPARENTE CRP PIPE 4x7 SILICONE, TRANSP. CRP ROHR 4x7 SILICON, DURCHSICHT. CRP TUYAU 4x7 SILICONE TRANSPARENT CRP	
7	224024	PRESSOSTATO 35/22 PRESSURE SWITCH 35/22 DRUCKWAECHTER 35/22 PRESSOSTAT 35/22	
8	127098	MANICOTTO SFIATO BOILER CRP->BT COUPLING LA50 MUFFE LA50 MANCHON LA50	
9	127095	MANICOTTO BOILER->SISTEMA CRP	
10	144027	SISTEMA CARICAMENTO CRP PLASTIC AIRGAP AIR GAP GEOFFNETER BEHAELTER	
11	143004	TUBO PRESS.TP 10X17 (CASER/15NL C4N) PIPE, PRESSURE SWITCH TP 10X17 (CASER/15NL C4N) ROHR, DRUCKSCHALTER TP 10X17 (CASER/15NL C4N) TUYAU PRESS.TP 10X17 (CASER/15NL C4N)	
12	69068	MANICOTTO ASPIRAZ.CRP LA50 INTAKE COUPLING LA50 SAUGMUFFE LA50 MANCHON D'ASPIRATION	
13	929169	TUBO DI CARICO DEL TERMOPLASTICO PIPE, THERMOPLASTIC DELIVERY ROHR, EINLASS THERMOPLAST TUYAU DE CHARG. DU THERMOPLASTIQUE	
14	240018	VALVOLA DI CARICO 1 VIA CRP LOADING S.VALVE 1-WAY CRP ZUFLUSSVENTIL 1-WEG CRP SOUPAPE DE CHARG. 1 VOIE CRP	
15	143173	GIUNZIONE RISC.PLAST.35/40/50 JOINT, RINSE PLAST.35/40/50 VERBIND., NACHSPÜLEN KUNST.35/40/50 JOINT RINC.PLAST.35/40/50	
16	127097	MANICOTTO MANDATA POMPA CRP->H PUMP DELIVERY COUPLING CRP-H DRUCKMUFFE PUMPE CRP-H MANCHON DE REFOULEMENT POMPE CRP-H	
18	80629	ELETTROPOMPA 200W 220/240V-1PH-60HZ CON CONDENSA PUMP PUMPE POMPE	



Pagina 5

1	80117HZ	POMPA SCARICO 240V/60HZ (DPS35-015) DRAIN PUMP 240V/60HZ (DPS35-015) ABLASSPUMPE 240V/60HZ (DPS35-015) POMPE VIDANGE 240V/60HZ (DPS35-015)	
25	437083	GUARNIZIONE GOMMA D32D19.5S1.5 GASKET, RUBBER D32D19.5S1.5 DICHTUNG, GUMMI D32D19.5S1.5 JOINT CAOUTCHOUC D32D19.5S1.5	
26	476008	SFEROA VALVOLA LA50. HOST	
28	143137	TUBO SCARICO D18 TERM.LE CURVO PIPE, DRAIN D18 BENT TERM. ABLASSROHR D18 GEBOG. ENDE TUYAU VIDANGE D18 TERMINAL COURB	
29	127093	MANICOTTO VALVOLA SFIATO>FLANGIA ZOCC. MANIFOLD MUFFE MANCHON	
30	468152	RACCORDO SCARICO CLEAN.3 UNION, DRAIN CLEAN.3 VERBINDUNGSST., ABLAUF CLEAN.3 RACCORD VIDANGE CLEAN.3	
31	429076	GHIERA VALVOLA SFIATO PS LA50	
32	456020	OR 3050 R495 O-ring 3050 R495 O-Ring 3050 R495 OR 3050 R495	
33	468029	RACCORDO CAMPANA PRESSOSTATO UNION, PRESSURE SWITCH BELL VERBINDUNGSST., DRUCKSCHALTERGLOCKE RACCORD BOITE PRESSOSTAT	
34	143235	TUBO 4x7 SILICONE TRASPARENTE CRP PIPE 4x7 SILICONE, TRANSP. CRP ROHR 4x7 SILICON, DURCHSICHT. CRP TUYAU 4x7 SILICONE TRANSPARENT CRP	
35	144995	GRUPPO VALVOLA DI SFIATO X PS LA50 DRAIN PUMP VENT VALVE LA50 LUFTLOCH-VENTIL DER ABFLUSSPUMPE LA50 SOUPAPE DE SOUPIRAL POMPE DE VIDANGE LA50	
36	499092	MEMBRANA VALVOLA SFIATO PS LA50	
37	127092	MANICOTTO P./SCARICO>VALVOLA SFIATO DRAIN PUMP COUPLING MUFFE ABLAUFPUMPE MANCHON POMPE DE VIDANGE	
38	224023	PRESSOSTATO - 165/140 MAIN PRESSURE SWITCH 165/140 ARBEITSDRUCKWAECHTER 165/140 PRESSOSTAT DE TRAVAIL 165/140	
39	107014	CAMPANA PRESSOSTATO LA50 PRESSURE SWITCH AIR BELL LA50 LUFT-GLOCKE DES DRUCKEWAECHTERS LA50 CLOCHE AIR PRESSOSTAT LA50	
40	127087	MANICOTTO GOMMA POMPA SC.LA50 RUBBER COUPLING DRAIN PUMP MUFFE DURITE	

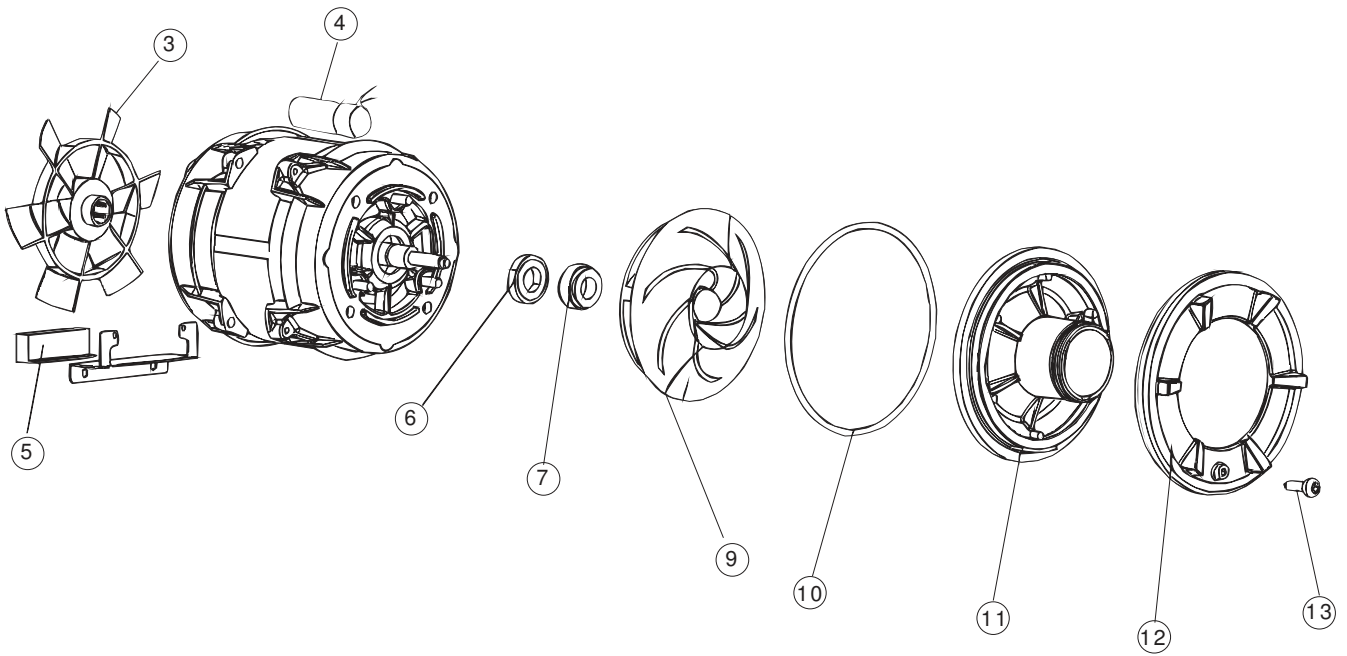
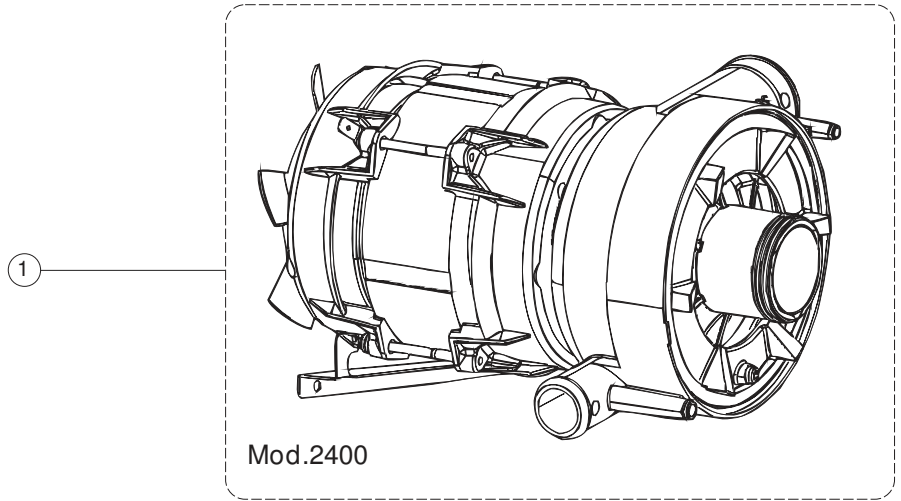
6



Pagina 6

1	437079	GUARNIZIONE CORPO INFER.E35/40 GASKET, LOWER SHELL E35/40 DICHTUNG, UNT.GEHAUSE E35/40 JOINT CORPS INF.E35/40	
2	429069	GHIERA COND.CENTRALE X5 RING NUT, CENTR.PIPELINE X5 GEWINDERING, HAUPTLEITUNG X5 BAGUE COND.CENTR. X5	
3	303032	ANELLO INOX DI TENUTA LAVAGGIO X5 RING, INOX WASH. SEAL X5 DICHTUNGSRING, INOX SPÜL. X5 BAGUE INOX D'ETANCHEITE LAVAGE X5	
4	325070	PROLUNGA PERNO RISC.SUP.X5 EXTENSION, FOR UPPER RINSE PIN X5 VERLANGERUNG, FÜR OB. NACHSPÜLZAPFEN X5 RALLONGE PIVOT RINC.SUP.X5	
5	80345	GR.PETTINE LAVAGGIO INOX NM NEW WASH BOSS ASSEMBLY SPUELARM KOMPL. GROUPE RAMPE LAVAGE	
6	993061	GR.RISCIACQUO LA50 COLGED RINSE ASSEMBLY NACHSPUELUNGSGRUPPE GROUPE RINCAGE	
7	437090	GUARNIZIONE D9.3D22S1.0 PTFE GASKET, D9.3D22S1.0 PTFE DICHTUNG, D9.3D22S1.0 PTFE JOINT D9.3D22S1.0 PTFE	
8	456060	OR 2025(CGR2025) O-ring 2025(CGR2025) O-Ring 2025(CGR2025) OR 2025(CGR2025)	
9	926132	TAPPO PL.X BRACCIO DI RISC.(DWT312) CAP, PLASTIC FOR WASH. ARM (DWT312) PFROPFEN, KUNST. FÜR NACHSPÜLARM (DWT312) BOUCHON PL.POUR BRAS DE RINC.(DWT312)	
10	140025	SPRUZZO RISCIACQUO D.2,5 SPRAY D.2,5 SPRITZ D.2,5 JET RINCAGE D.2,5	
11	456072	OR 6X2 NBR70 O-RING 6X2 O-RING 6X2 O'RING 6X2 NBR70	
12	129066	CORPO PETTINE RISCIACQUO STEEL ROTATING RINSE-ARM BODY FOR HOOD-TYPE DISHWASHER KOERPER FUER DREHNACHSPUELARM FUER DURCHSCHUBC CORPS TOURNIQUET DE RINCAGE POUR LAVE- VAISSELLES	
13	417111	BUSSOLA PETTINE LAV.X5 BUSHING, WASH-ARM X5 BUCHSE, SPÜLKAMM X5 DOUILLE PEIGNE LAV.X5	
14	308031	GHIERA BUSSOLA LAVAGGIO X5 RING NUT, WASH.BUSH X5 GEWINDERING, SPÜL.BUCHSE X5 BAGUE DOUILLE LAVAGE X5	
15	429073	GHIERA FISSA CONDOTTO INF.LA50	
16	437102	GUARNIZIONE CONDOTTO INFER.LA50	
17	303037	ANELLO DI TENUTA LAVAGGIO X5 RING RING BAGUE	

18	121123	FILTRO VASCA PLAST.INTEGRALE LA50	
----	--------	-----------------------------------	--



Pagina 7

1	130981	POMPA LAVAGGIO WASHING UNIT + PUMP WASCHPUMPE-KOERPER+ PUMPE GROUPE POMPE DE LAVAGE + POMPE	
3	335015	VENTOLA POMPA 2400 FAN LUFERRAD VENTILATEUR	
4	206002	CONDENSATORE DA 10 mF CONDENSER - 10 mF KONDENSATOR - 10 mF CONDENSATEUR DE 10 mF	
5	478062	SUPPORTO ELASTICO POMPA LA50 ELASTIC BLOCK FIOR PUMP ELASTISCHBLOCK FUER PUMPE BLOQUE ELASTIQUE POUR POMPE	
6	141008	TENUTA MECCANICA PER POMPA DI LAVAGGIO PER LAVABIC WASH PUMP SHAFT SEAL FOR GLASSWASHER MECHANISCHE DICHTUNG FUER WASCHPUMPE DER GLAESE ETANCHEITE' DE LA POMPE DE LAVAGE POUR LAVE-VERRES	
7	141009	TENUTA MECCANICA PER POMPA DI LAVAGGIO PER LAVABIC WASH PUMP SHAFT SEAL FOR GLASSWASHER MECHANISCHE DICHTUNG FUER WASCHPUMPE DER GLAESE ETANCHEITE' DE LA POMPE DE LAVAGE POUR LAVE-VERRES	
9	124060	GIRANTE+INSERTO POMPA(2398R)60HZ IMPELLER PUMPENFLUEGEL TURBINE	
10	456078	OR.POMPA(2402R)3.53X170.5 OR.PUMP (2402R)3.53X170.5 TORISCHE DICHTUNG JOINT TORIQUE	
11	480148	TAPPO CHIOCCIOLA POMPA(2397R) PUMP CAP DECKEL PUMPE BOUCHON POMPE	
12	429074	GHIERA FILETTATA POMPA(2399R) NUT RING DOUILLE	
13	486242	VITE 3.5X13 TBC UNI6954(0062R) SCREW 3.5X13 SCHRAUBE 3.5X13 VIS 3.5X13	