

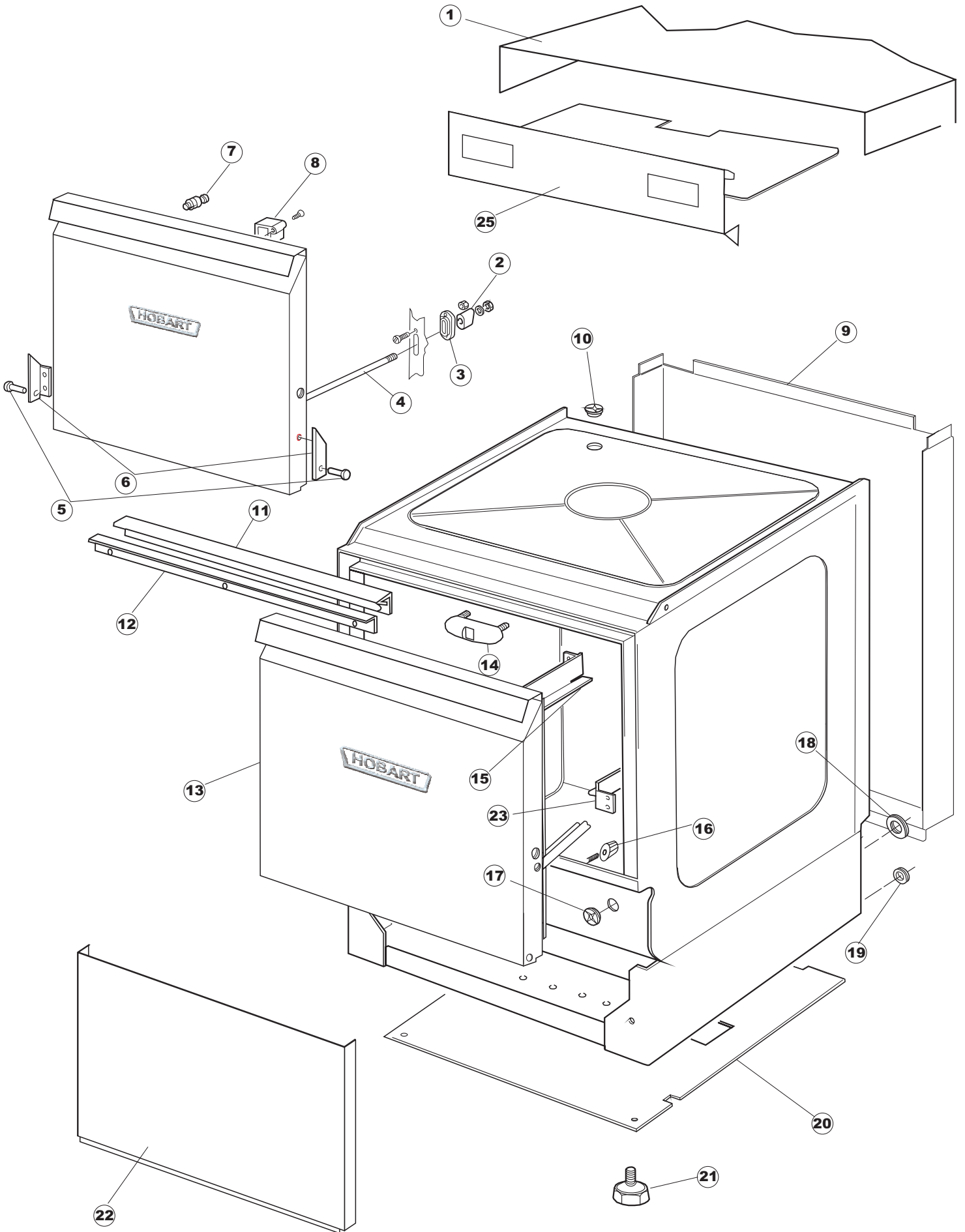
HOBART

**SPARE PARTS CATALOGUE
ERSATZTEILKATALOG
CATALOGUE PIECES DETACHEES
CATALOGO PARTI RICAMBIO
CATALOGO DE PIEZAS DE RECAMBIO
CATALOGO PEÇAS DE REPOSIÇÃO**

H.500

08-03-2012

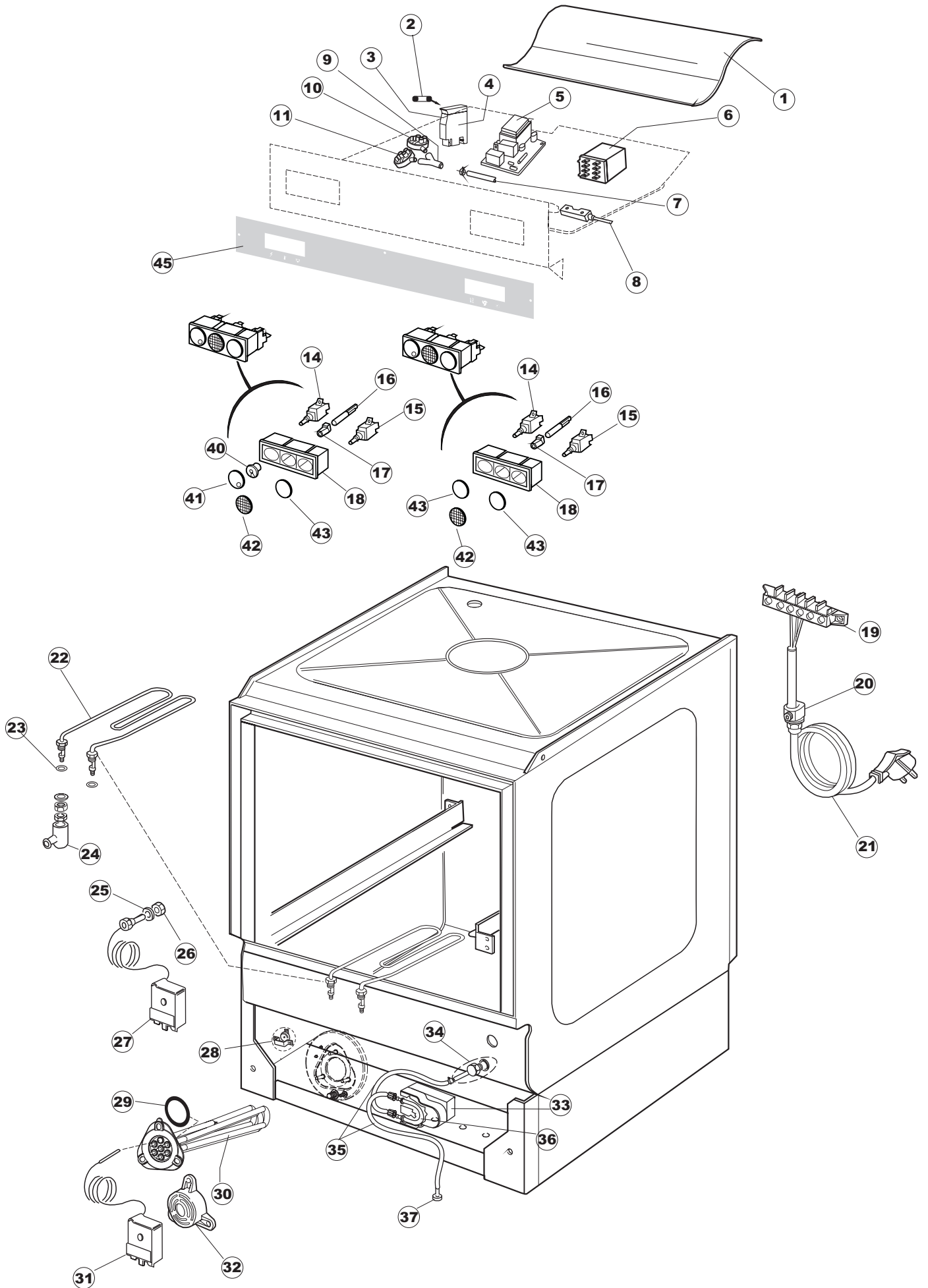
1



Listino componenti per pagina 1

1	004066	CAPPELLO - 50/503 COVER - 50/503 DECKEL - 50/503 COUVERTURE - 50/503 CAPERUZA - 50/503	
2	417041	DADO BATTUTA PORTA NUT, DOOR BUFFER SCHRAUBENMUTTER, TÜRANSCHLAG ECROU FEUILLURE PORTE TUERCA TOPE PUERTA	
3	307003	BATTUTA DADO ASTA NUT-LEDGE, FOR ROD ANSCHLAG, SCHRAUBENMUTTER FÜR STAB FEUILLURE ECROU BARRE TOPE TUERCA VARA	
4	304021	ASTA GUIDA PORTA 50/500/453/463/503 ROD, DOOR GUIDE 50/500/453/463/503 STANGE, TÜRSCHIENE 50/500/453/463/503 BARRE GUIDE PORTE 50/500/453/463/503 VARA GUIA PUERTA 50/500/453/463/503	
5	325036	PERNO CERNIERA PORTA 50 PIN, DOOR HINGE 50 ZAPFEN, TÜRSCHARNIER 50 PIVOT CHARNIERE PORTE 50 PERNO BISAGRA PUERTA 50	
6	311019	CERNIERA PORTA 45/46/50.. HINGE, DOOR 45/46/50.. SCHARNIER, TÜR 45/46/50.. CHARNIERE PORTE 45/46/50.. BISAGRA PUERTA 45/46/50. .	
7	325066	PIOLO SERRATURA BETA 246/250 LOCK PIN BETA 246/250 PFLOCK, SCHLOSS BETA 246/250 CHEVILLE SERRURE BETA 246/250 BARROTE CERRADURA BETA 246/250	
8	999108	GRUPPO CALAMITA PORTA 453/463/500/503 MAGNET, DOOR 453/463/500/503 MAGNET, TÜR 453/463/500/503 ENS.AIMANT PORTE 453/463/500/503 GRUPO IMAN PUERTA 453/463/500/503	
9	022095	PANNELLO POSTER.CPL 50/503 PANEL, REAR CPL 50/503 PLATTE, HINTEN CPL 50/503 PANNEAU ARRIERE CPL 50/503 PANEL TRASERO CPL 50/503	
10	480058	TAPPO GOMMA D.17 CAP, RUBBER D.17 GUMMISTÖPSEL D.17 BOUCHON CAOUTCHOUC D.17 TAPON GOMA D. 17	
11	437081	GUARNIZIONE PORTA - 50/503 GASKET, DOOR - 50/503 DICHTUNG, TÜR - 50/503 JOINT PORTE - 50/503 JUNTA PUERTA - 50/503	
12	033301	SQUADRA FISSA GUARN.PORTA 50/503 BRACKET, FIXED FOR DOOR GASKET 50/503 WINKEL, FEST FÜR TÜRDICHTUNG 50/503 EQUERRE FIXE JOINT PORTE 50/503 ESCUADRA FIJA JUNTA PUERTA 50/503	
13	029613	PORTA DOOR, TUER PORTE PUERTA COMPLETA STEEL 51 ALTA ST/HOBART	
14	994012	GRUPPO SERRATURA EB/F 22/44 LOCK EB/F 22/44 SCHLOSS EB/F 22/44 ENS.SERRURE EB/F 22/44 GRUPO CERRADURA EB/F 22/44	
15	015064	GUIDA CESTO SX. RACK SLIDE SX. KORBBAHN SX. GUIDE PANIER SX. GUIA CESTA (IZQDA.)503-50 ALTA	

16	408006	BORCHIA X FILTRO VASCA GRIGIA STUD. FOR TANK FILTER - GREY BESCHLAG, FÜR TANKFILTER - GRAU BOSSE POUR FILTRE CUVE GRISE BOLLON X FILTRO CUBETA GRIS	
17	480057	TAPPO GOMMA D.14 CAP, RUBBER D.14 GUMMISTÖPSEL D.14 BOUCHON CAOUTCHOUC D.14 TAPON GOMA D. 14	
18	459004	PASSATUBO GOMMA DI.34 PIPEHOLDER, RUBBER DI.34 ROHRDURCHGANG, GUMMI DI.34 SUPPORT-TUYAU CAOUTCHOUC DI.34 PASA-TUBO GOMA DE. 34	
19	459006	PASSACAVO Di9/De16 22 FAIRLEAD, Di9/De16 22 KABELDURCHGANG, Di9/De16 22 PASSE-CABLE Di9/De16 22 PASA-CABLE Di9/De16 22	
20	030080	PROTEZIONE INF.ZOCCOLO 50/503 PROTECTION, LOW. SOCLE 50/503 SCHUTZ, UNTEN SOCKEL 50/503 PROTECTION INF.SOCLE 50/503 PROTECCION INF. BASE 50/503	
21	461019	PIEDINO REGOLABILE D30 M8 FOOT, ADJUST. D30 M8 VERSTELLFUSS D30 M8 PIED REGLABLE D30 M8 PATA REGULABLE D30 M8	
22	012326	PANNELLO ANTERIORE FRONT PANEL FRONTPANEEL PANNEAU AVANT PANEL FRONTAL E50 ALTA	
23	015063	GUIDA CESTO DX. RACK SLIDE DX. KORBBAHN DX. GUIDE PANIER DX. GUIA CESTA (DCHA.)503-50 ALTA	
25	025368	PANNELLO INOX S.M.83 (*) PANEL, INOX S.M.83 (*) PLATTE, INOX S.M.83 (*) PANNEAU INOX S.M.83 (*) PANEL INOX S. M. 83 (*)	

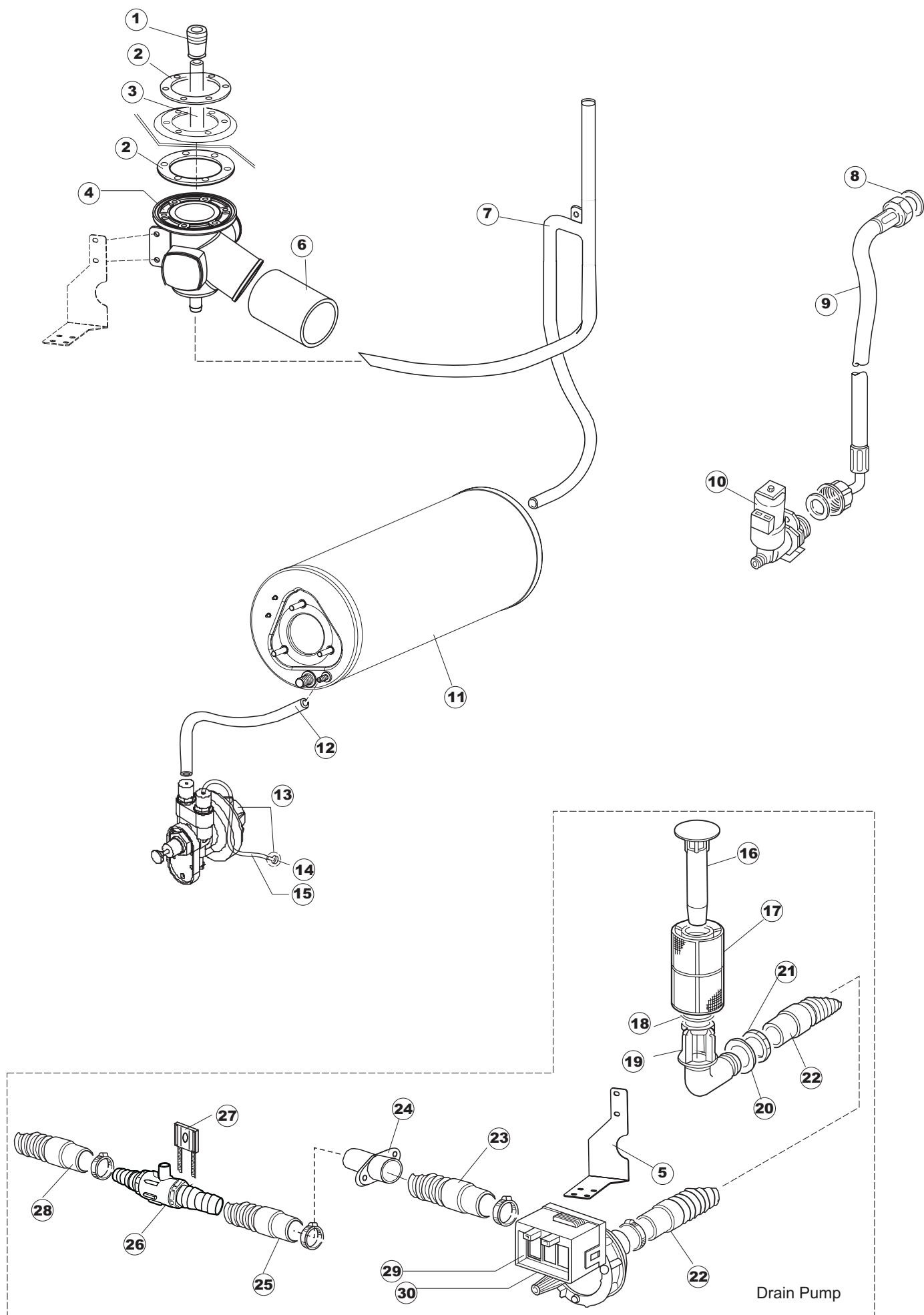


Listino componenti per pagina 2

1	214108	PROTEZIONE TRASPARENTE PER IMPIANTO ELETTRICO PER TRANSPARENT PROTECTION FOR ELECTRIC INSTALLATION F DURCHSICHTIGER SCHUETZ FUER ELEKTRISCHE ANLAGE DE PROTECTION TRANSPARENTE POUR INSTALLA- TION ELECTR PROTECC.EL.TELA TRANSP.485X300XSP0.13	
2	228010	FUSIBILE 5X20 4A FAST FUZE 5X20 4A FAST SICHERUNG 5X20 T4A FUSIBLE5X20 T4A FUSIBLE 5X20 T4A RETARDADO 250V	
3	210010	PORTAFUSIBILE UL FUZE-HODER SICHERUNGSHALTER PORTE-FUSIBLE PORTAFUSIBILE UL	
4	210011	PIASTRINA TERMINALE SFR/PT CABUR PLATE PLAETTCHEN PLAQUETTE PLACA TERMINAL SFR/PT CABUR	
5	215029	SCHEDA IGEA CONTROLLO SOST. DA 215038 MAIN BOARD KARTE CARTE ELECTRONIQUE TARJETA IGEA CONTROL ELT.LA50 IBRIDA	
6	229039	RELÈ 62.82.8.230.0300 RELAY 62.82.8.230.0300 RELAIS 62.82.8.230.0300 RELAIS 62.82.8.230.0300 RELÈ 62.82.8.230.0300	
7	143013	TUBO PVC VERDE 4X7 PIPE, PVC GREEN 4X7 SCHLAUCH PVC GRUEN 4X7 TUYAU PVC VERT 4X7 TUBO PVC VERDE 4X7	
8	80871	MICRO MAGNETICO MAGNETIC DOOR SWITCH TUERKONTAKTSCHALTER CONTACTE MAGNETIQUE CONTACTO MAGNETICO	
9	035031	RACCORDO A "Y" PRESSOSTATO 760 UNION, Y-TYPE, PRESSURE SWITCH 760 Y-VERBINDUNGSST., DRUCKSCHALTER 760 RACCORD A "Y" PRESSOSTAT 760 EMPALME "Y" PRESOSTATO 760	
10	224010	PRESSOSTATO SIC.POMPA SCARICO 110/75 PRESSURE SWITCH, DRAIN PUMP SAFETY 110/75 DRUCKSCHALTER, SICHERH. ABLASSPUMPE 110/75 PRESSOSTAT SURETE POMPE VIDANGE 110/75 PRESOSTATO SEG. BOMBA DESCARGA 110/75	Drain pump
11	224003	PRESSOSTATO - 55/35 PRESSURE SWITCH - 55/35 DRUCKSCHALTER - 55/35 PRESSOSTAT - 55/35 PRESOSTATO - 55/35	
14	208010	DEVIATORE DOPPIO - 35/40/50 SWITCH, DOUBLE - 35/40/50 ABLENKER, DOPPELT - 35/40/50 COMMUTATEUR DOUBLE - 35/40/50 DESVIADOR DOBLE - 35/40/50	
15	226071	PULSANTE DOPPIO CONTATTO 35/40/50 PB W/DOUBLE CONTACT 35/40/50 DRUCKT. MIT DOPPELKONTAKT 35/40/50 BP DUBLE CONTACT 35/40/50 PULSADOR DOBLE CONTACTO 35/40/50	
16	216006	LAMPADA SPIA BIANCA WARNING LAMP, WHITE KONTROLL-LAMPE, WEISS LAMPE-TEMOIN BLANCHE LAMPARA TESTIGO BLANCA	
17	299035	SUPPORTO LAMPADA 35/40/50 SUPPORT, LAMP 35/40/50 LAMPENFASSUNG 35/40/50 SUPPORT LAMPE 35/40/50 SOPORTE LAMPARA 35/40/50	

18	226080	CORPO PULS. ST-3 NERO LINEA 3 SWITCH HOLDER ST-3 BLACK LINE 3 SCHALTER ST-3 SCHWARZ LINE 3 CORPS BP ST-3 NOIR LIGNE 3 CUERPO PULS. ST-3 NEGRO LINEA 3	
19	220011	* MORSETTIERA 5.POLI + TERRA FV.122 * TERMINAL BOARD, 5-POLES + EARTH FV.122 * KLEMMENBRETT, 5-POLIG + ERDUNG FV.122 * PLAQUE A BORNE 5POLES + TERRE FV.122 * BORNERO 5. POLOS + TIERRA FV. 122	
20	459005	FISSACAVO STEAB art.5024 CABLE CLAMPS, STEAB art.5024 KABELKLIPPS, STEAB Art.5024 FIXE-CABLE STEAB art.5024 SUJETA-CABLE STEAB art. 5024	
21	299040	SPINA SCHUKO 90° CABL. l=2.5mt PLUG. SCHUKO 90° CABL. l=2.5mt ANSCHLUSSKABEL SCHUKO 230V GOUPILLE SCHUKO 90° CABL. l=2.5mt CLAVIJA SCHUKO 90° CABL. l=2. 5mt	
22	230086	RESIST.V.2700W/220V-3200W/240V 22/44/50 RESISTANCE, TANK 2700W/220V-3200W/240V 22/44/50 WIDERSTAND, TANK 2700W/220V-3200W/240V 22/44/50 RESIST.CUVE 2700W/220V-3200W/240V 22/44/50 RESIST. V. 2700W/220V-3200W/240V	
23	456015	OR 112 9.92X2.62 O-ring 112 9.92X2.62 O-Ring 112 9.92X2.62 OR 112 9.92X2.62 OR 112 9. 92X2. 62	
24	463007	PIPA PROTEZIONE RESISTENZA LUG, RESISTANCE PROTECTION FITTING, WIDERSTANDSSCHUTZ TUBE PROTECTION RESIST. PIPA PROTECCION RESISTENCIA	
25	437030	GUARNIZIONE D14D22S1.5 FIBRA GASKET, D14D22S1.5 FIBRE DICHTUNG, D14D22S1.5 FASERSTOFF JOINT D14D22S1.5 FIBRE JUNTA D14D22S1. 5 FIBRA	
26	417017	DADO TERMOSTATO VASCA NUT, TANK THERMOSTAT SCHRAUBENMUTTER, TANKTHERMOSTAT ECROU THERMOSTAT CUVE TUERCA TERMOSTATO CUBETA	
27	236042	TERMOSTATO VASCA TR711 Tf-53° LP4350B THERMOSTAT, TANK TR711 Tf-53° THERMOSTAT, TANK TR711 Tf-53° THERMOSTAT CUVE TR711 Tf-53° TERMOSTATO CUBETA TR711 Tf-53°	
28	236047	TERM.CONTATTO /S.95°+/-3° THERM.,CONT. /S.95°+/-3° SICHERHEITSTHERMOSTAT THERM.CONTACT /S.95°+/-3° TERM.CONTACTO /S.95°+/-3° SIC.	
29	456002	OR 48x6,2 O-ring 48x6,2 O-Ring 48x6,2 OR 48x6,2 OR 48x6,2	
30	230116	RESISTENZA BOILER 3000W/230V HEATING ELEMENT 3000W/230V HEIZUNG 3000W/230V RESISTANCE 3000W/230V RESISTENCIA CALENTADOR 3000W/230V	
31	236043	TERMOSTATO BOILER TR711 Tf-83° LP4351A THERMOSTAT, BOILER TR711 Tf-83° THERMOSTAT, BOILER TR711 Tf-83° THERMOSTAT CHAUDIERE TR711 Tf-83° TERMOSTATO CALENTADOR TR711 Tf-83°	
32	69870	PROTEZIONE RESISTENZA BOILER BOILER HEATING ELEMENT PROTECTION HEIZUNGSSCHUETZ DES WARMWASSERBEREITERS PROTECTION RESISTANCE BOILER PROTECCION RESISTENCIA CALENTADOR	

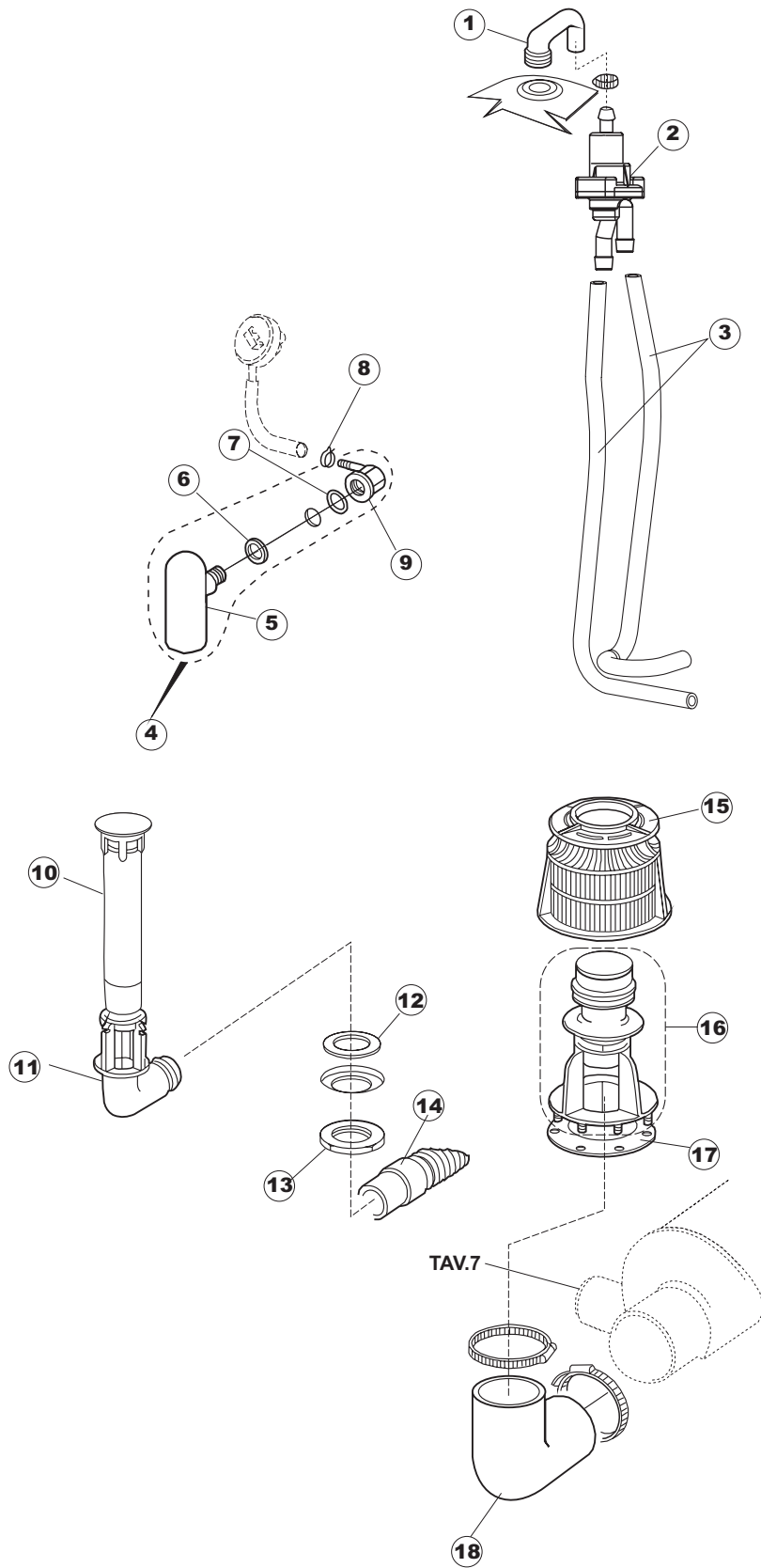
33	209021	DOSAT.PERIST.DETERGENTE REG. PERISTALTIC DISPENSER (NBR-3) DOSIERUNG PERISTALTIK DOSAGE PERISTALTIQUE DOSIFIC. PERIST.DETERGENTE REG.	
34	468151	RACCORDO ENTRATA SAPONE CPL NM * SALDATO UNION, EXTRA DET. CPL NM * WELDED TANKEINLAUF CPL NM* RACCORD ENTREE SAVON CPL NM * SOUDE EMPALME ENTRADA JABON CPL NM * SOLDADO	
35	143194	TUBO 4x6 CRISTAL TRASPARENTE PIPE 4x6 CRISTAL, TRANSP. SCHLAUCH 4X6 CRISTAL, DURCHS. TUYAU 4x6 CRISTAL TRANSPARENT TUBO 4x6 CRISTAL TRASPARENTE	
36	143219	TUBETTO SANTOPRENE 6X10 RACCORDI+GHIERE TUBE, SANTOPRENE 6X10 FITTINGS+METAL RINGS MEMBRANSCHLAUCH SANTOPREN TUBE SANTOPRENE 6X10 RACC.+COLL.DE SERR. TUBITO SANTOPRENE 6X10 EMPALMES+VIROLAS	
37	121993	GRUPPO FILTRO DOSATORE FILTER GROUP FILTERANORDNUNG ENSEMBLE DE FILTRE ASAMBLEA DEL FILTRO	
40	409001	CAMMA BICOLORE NERO OFF / VERDE ON TWO-COLOUR CAM, BLACK OFF / GREENE ON ZWEIFARB. NOCKEN, SCHWARZ AUS / GRÜN EIN CAME BICOLORE NOIR OFF / VERTE ON EXCENTR. BICOLOR NEGRO OFF / VERDE ON	
41	227036	TASTO T5 NERO LINEA 3 KEY T5 BLACK LINE 3 TASTE T5 SCHWARZ LINIE 3 TOUCHE T5 NOIR LIGNE 3 TECLA T5 NEGRO LINEA 3	
42	207011	GEMMA T ARANCIO LINEA 3 INDICATOR LAMP, T ORANGE LINE 3 ANZEIGER, T ORANGE LEIT. 3 VOYANT T ORANGE LIGNE 3 CAPERUZA T NARANJA LINEA 3	
43	227035	TASTO T7 NERO LINEA 3 KEY T7 BLACK LINE 3 TASTE T7 SCHWARZ LINIE 3 TOUCHE T7 NOIR LIGNE 3 TECLA T7 NEGRO LINEA 3	
45	026102	POLIESTERE HOBART H500 POLYESTERE CONTROL PANEL HOBART H500 MASKE POLYESTERE HOBART H500 POLIESTER HOBART H500	



Listino componenti per pagina 3

1	441009	INSERTO TENUTA D10 COLL.S621- INSERT, SEAL D10 COLL.S621- EINSATZ, DICHT. D10 SAMM.S621- INSERT ETANCHEITE D10 COLL.S621- ELEMENTO ESTANQ. D10 COLECT. S621-	
2	437014	GUARNIZIONE COND.INFER.S850 GASKET, LOWER MANIFOLD S850 DICHTUNG, UNT.SAMMELLEITUNG S850 JOINT COND.INF.S850 JUNTA COND. INFER. S850	
3	143174	TUBO RISC.COLLET.INF.ACQUA 50 PIPE, WATER LOW.COLL. RINSE 50 ROHR, UNT. WASSERSAMMELL.NACHSPÜL. 50 TUYAU RINC.COLLECT.INF.EAU 50 TUBO ENJUAGUE COLLET. INF. AGUA 50	
4	111030	COLLETTORE INF.NEUTRO E50NM NEUTRAL LOWER MANIFOLD ASS. E50NM+PLUG GR.SAMMLER UNTEN NEUTRAL E50NM+VERSCHL GR.COLLECTEUR INF.NEUTRE E50NM+BOUCHON COLECTOR. INF.NEUTRO.E50NM(CERRADO)	
5	035064	STAFFA POMPA SCARICO X COLLETTORE 50NM BRACKET, DRAIN PUMP FOR MANIFOLD 50NM BÜGEL, ABLASSPUMPE FÜR SAMMELLEITUNG 50NM ETRIER POMPE VID. POUR COLLECTEUR 50NM SOPORTE BOMBA DESCARGA X COLECTOR 50NM	
6	127026	MANICOTTO MANDATA POMPA 22/500 SLEEVE, PUMP DELIVERY 22/500 MUFFE, ZUFUHR PUMPE 22/500 MANCHON REFOUL. POMPE 22/500 MANGUITO IMPULSION BOMBA 22/500	
7	143240	TUBO CONDOTTA GIUNZIONE H-)COND.SUP. PIPE, H-)COND.UPPER LEITUNG, H-)OB.COND. TUYAU CONDUITE JONCTION H-)COND.SUP. TUBO CONDUCTO UNION H-)COND. SUP.	
8	437041	GUARNIZIONE 3/4 GAS CARICO GASKET 3/4 GAS LOAD DICHTUNG 3/4 GASVERSORG. JOINT 3/4 GAZ VID. JUNTA 3/4 GAS CARGA	
9	929169	TUBO DI CARICO DEL TERMOPLASTICO PIPE, THERMOPLASTIC DELIVERY ZULAUFSCHLAUCH, WASSER THERMOPLAST TUYAU DE CHARG. DU THERMOPLASTIQUE TUBO DE CARGA DEL TERMOPLASTICO	
10	240011	VALVOLA DI CARICO 1VIA LOADING S.VALVE 1-WAY ZUFLUSSVENTIL 1-WEG SOUPAPE DE CHARG. 1VOIE VALVULA DE CARGA 1VIA	
11	104060	BOILER BOILER BOILER SURCHAUFFEUR LA50 CALENTADOR LA50	
12	143005	TUBO PRESS.TP 5x11 (CASER/15/NL C4N) PIPE, PRESSURE SWITCH TP 5x11 (CASER/15/NL C4N) SCHLAUCH TP 5X11 (CASER/15/NL C4N) TUYAU PRESS.TP 5x11 (CASER/15/NL C4N) TUBO PRES. TP 5x11 (CASER/15/NL C4N)	
13	209025	DOSATORE BRILLANTANTE RINSE AID DISPENSING PUMP DOSIERPUMPE KLARSPUELER POMPE DOSEUR PR.RINÇAGE BOMBA DOSIFICADOR ABRILL.(BP)DIB0805E	
14	121149	FILTRO PER POMPA DETERSIVO DETERGENT PUMP FILTER SIEB FUER SPUELMITTELPUMPE FILTRE POUR POMPE DETERGENT FILTRO	
15	H.775601	TUBO 4x6 CRISTAL BLUE PVC PIPE 4x6 CRISTAL BLUE PVC ROHR 4x6 CRISTAL BLAU PVC TUYAU 4x6 CRISTAL BLEU PVC TUBO 4x6 CRISTAL AZUL PVC	

16	142053	TROPPO PIENO P./SCARICO 50/503 NM OVERFLOW, DRAIN 50/503 NM ÜBERLAUF, ABLASS 50/503 NM TROP-PLEIN POMPE VIDANGE. 50/503 NM REBOSE P. /DESCARGA 50/503 NM	
17	121078	FILTRO POMPA SCARICO 463/503 FILTER, DRAIN PUMP 463/503 FILTER, ABLASSPUMPE 463/503 FILTRE POMPE VIDANGE 463/503 FILTRO BOMBA DESCARGA 463/503	
18	303019	ANELLO ELASTICO FILTRO P.S.503 RING, ELASTIC FOR DRAIN PUMP FILTER 503 SPANNRING FÜR ABLASSPUMPENFILTER 503 BAGUE ELASTIQUE FILTRE POMPE VIDANGE 503 ANILLO ELASTICO FILTRO P. S. 503	
19	136023	PILETTA CURVA SCARICO 50/503 DRAIN, BENT 50/503 ABFLUSS, GEBOGEN 50/503 TUYAU DE VIDANGE COURB 50/503 PILETA CURVA DESCARGA 50/503	
20	437063	GUARNIZIONE PILETTA SCARICO 50 GASKET, DRAIN 50 DICHTUNG, ABFLUSS 50 JOINT TUYAU DE VIDANGE 50 JUNTA PILETA DESCARGA 50	
21	417081	DADO PLASTICA 1'- 1/4 NUT, PLASTIC 1'- 1/4 SCHRAUBENMUTTER, KUNST. 1'- 1/4 ECROU PLASTIQUE 1'- 1/4 TUERCA PLASTICO 1'- 1/4	
22	127050	MANICOTTO RIGIDO ASP.P.S. 500/503 SLEEVE, RIGIDO ASP.P.S. 500/503 MUFFE, STEIF ABS. ABL.P. 500/503 MANCHON RIGIDE ASP.POMPE VIDANGE 500/503 MANGUITO RIGIDO ASP. P. S. 500/503	
23	127044	MANICOTTO ASP.POMPA SC.353/403 SLEEVE, SUCT.DRAIN PUMP 353/403 MUFFE, ABSAUG.ABLASSPUMPE 353/403 MANCHON ASP.POMPE VIDANGE 353/403 MANGUITO ASP. BOMBA DESC. 353/403	
24	468152	RACCORDO SCARICO CLEAN.3 UNION, DRAIN CLEAN.3 VERBINDUNGSST., ABLAUF CLEAN.3 RACCORD VIDANGE CLEAN.3 EMPALME DESCARGA CLEAN. 3	
25	127037	MANICOTTO SCARICO CLEAN.3 SLEEVE, DRAIN CLEAN.3 MUFFE, ABLAUF CLEAN.3 MANCHON VIDANGE CLEAN.3 MANGUITO DESCARGA CLEAN. 3	
26	144003	VALVOLA DI SFIATO P./SCARICO RELIEF VALVE, DRAIN PUMP ENTLÜFTUNGSVENTIL, ABLASSPUMPE SOUPAPE DE VIDANGE VALVULA ALVIAD. P. /DESCARGA	
27	423024	FASCETTA PL.FISSA TUBO SC.POMPA SC. CLAMP, PLAST.FOR DRAIN PUMP PIPE CLAMP. SCHELLE, KUNST. BEF.FÜR ABLASSROHRPUMPE BANDE DE SERR. PLAST.TUYAU DE VID. POMPE VID. ABRAZADERA PL. FIJA TUBO DESC. BOMBA	
28	143178	TUBO SCARICO - 50 PIPE, DRAIN - 50 ABLASSROHR - 50 TUYAU VIDANGE - 50 TUBO DESCARGA - 50	
29	130105	POMPA SCARICO (50/503/460/BD18) DRAIN PUMP (50/503/460/BD18) ABLASSPUMPE (50/503/460/BD18) POMPE VIDANGE (50/503/460/BD18) BOMBA DESCARGA (50/503/460/BD18)	
30	130150	POMPA SCARICO (50/503/460/BD18) 60HZ DRAIN PUMP (50/503/460/BD18) 60HZ ABLASSPUMPE (50/503/460/BD18) 60HZ POMPE VIDANGE (50/503/460/BD18) 60HZ BOMBA DESCARGA (50/503/460/BD18) 60HZ	

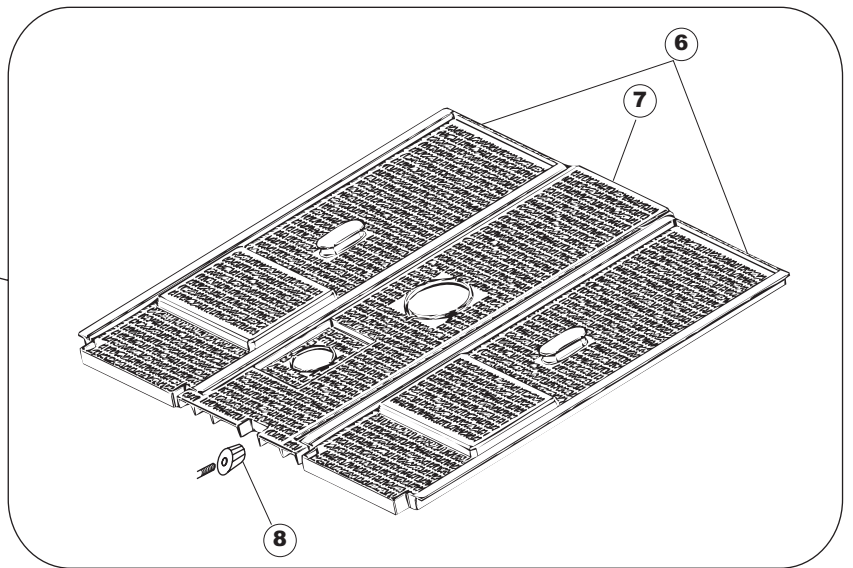
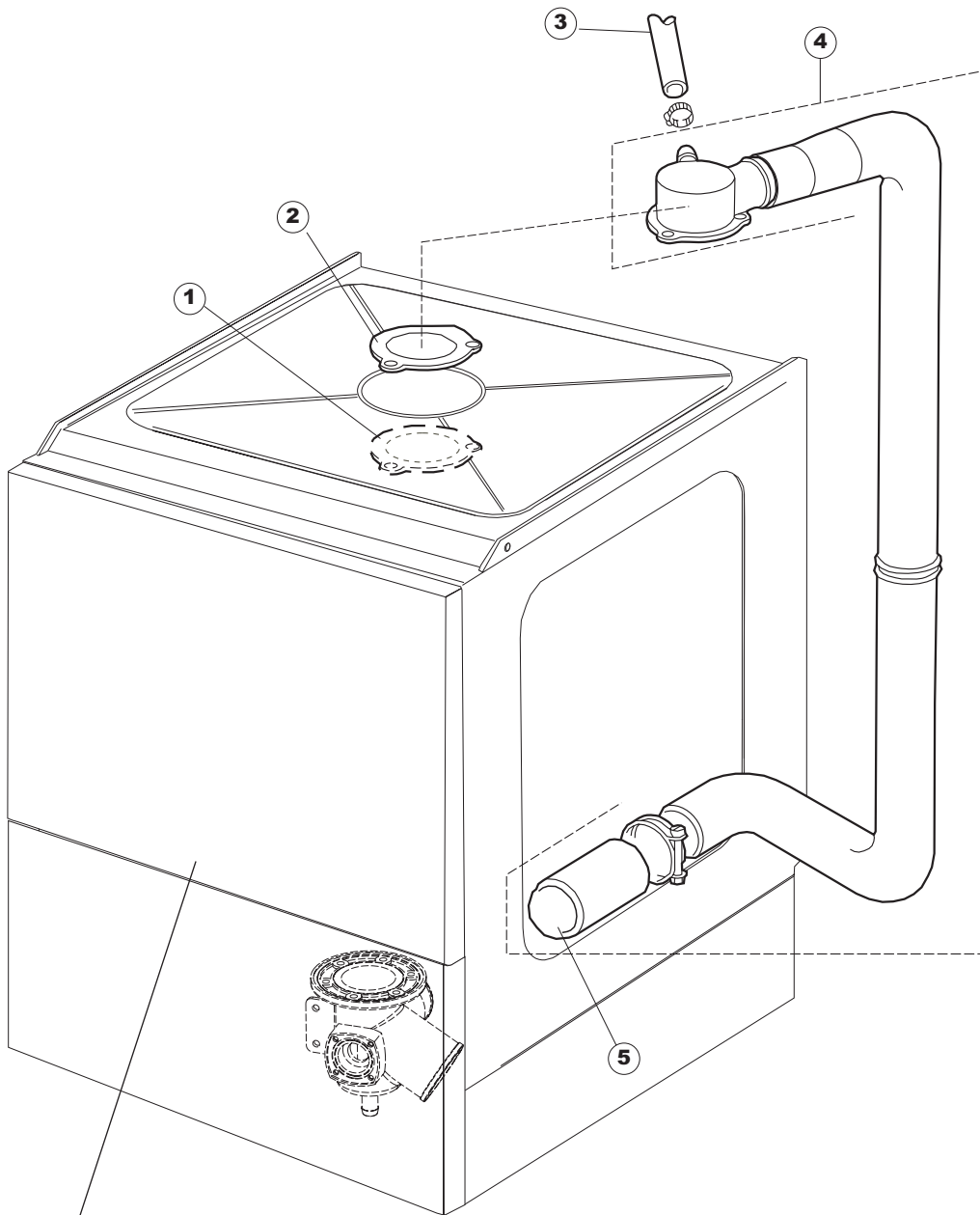


Listino componenti per pagina 4

1	143189	TUBETTO SFIATO DVGW CLEAN.3 TUBE, DRAIN SFIATO DVGW CLEAN.3 RÖHRCHEN, ENTLÜFT. DVGW CLEAN.3 TUBE DE VIDANGE DVGW CLEAN.3 TUBITO ALIVIAD. DVGW CLEAN. 3	
2	144011	DISPOSIT.A/R.(EB) CHECK VALVE (EB) RÜCKSCHLAGVORR.(EB) DISPOSIT.ANTI-RETOUR (EB) DISPOSIT. A/R. (EB)	
3	143004	TUBO PRESS.TP 10X17 (CASER/15NL C4N) PIPE, PRESSURE SWITCH TP 10X17 (CASER/15NL C4N) ROHR, DRUCKSCHALTER TP 10X17 (CASER/15NL C4N) TUYAU PRESS.TP 10X17 (CASER/15NL C4N) TUBO PRES. TP 10X17 (CASER/15NL C4N)	
4	984005	GRUPPO CAMPANA PRESSOST.35/40 PRESSURE SWITCH BELL 35/40 GLOCKE, DRUCKSCHALTER 35/40 ENS.BOITE PRESSOSTAT 35/40 GRUPO CAMPANA PRESOSTATO 35/40	
5	107005	CAMPANA PRESS. EB 35/40 PRESSURE SWITCH BELL EB 35/40 GLOCKE, DRUCKSCHALT. EB 35/40 BOITE PRESSOSTAT EB 35/40 CAMPANA PRES. EB 35/40	
6	437019	GUARNIZIONE CAMP. PRESS. V.M. GASKET, CAMP. PRESS. V.M. DICHTUNG, GLOCKE DRUCKSCH. V.M. JOINT BOITE PRESSOSTAT V.M. JUNTA CAMP. PRES. TORNILLO M.	
7	456020	OR 3050 R495 O-ring 3050 R495 O-Ring 3050 R495 OR 3050 R495 OR 3050 R495	
8	423011	FASCETTA A MOLLA CLAMP, SPRING-TYPE SCHELLE, FEDER BANDE DE SERRAGE A RESSORT ABRAZADERA DE MUELLE	
9	468029	RACCORDO CAMPANA PRESSOSTATO UNION, PRESSURE SWITCH BELL VERBINDUNGSSTK. TANKEINLAUF RACCORD BOITE PRESSOSTAT EMPALME CAMPANA PRESOSTATO	
10	142052	TROPPO PIENO 50/503 NM OVERFLOW 50/503 NM ÜBERLAUF 50/503 NM TROP-PLEIN 50/503 NM REBOSE 50/503 NM	
11	136023	PILETTA CURVA SCARICO 50/503 DRAIN, BENT 50/503 ABFLUSS, GEBOGEN 50/503 TUYAU DE VIDANGE COURB 50/503 PILETA CURVA DESCARGA 50/503	
12	437063	GUARNIZIONE PILETTA SCARICO 50 GASKET, DRAIN 50 DICHTUNG, ABFLUSS 50 JOINT TUYAU DE VIDANGE 50 JUNTA PILETA DESCARGA 50	
13	417081	DADO PLASTICA 1'- 1/4 NUT, PLASTIC 1'- 1/4 SCHRAUBENMUTTER, KUNST. 1'- 1/4 ECROU PLASTIQUE 1'- 1/4 TUERCA PLASTICO 1'- 1/4	
14	143178	TUBO SCARICO - 50 PIPE, DRAIN - 50 ABLASSROHR - 50 TUYAU VIDANGE - 50 TUBO DESCARGA - 50	
15	121052	FILTRO POMPA - 22/44 FILTER, PUMP - 22/44 FILTER, PUMPE - 22/44 FILTRE POMPE - 22/44 FILTRO BOMBA - 22/44	

16	478059	SUPPORTO FILTRO GRIGIO+PROLUNGA SUPPORT, FILTER GREY+EXTENSION HALTER, FILTER GRAU+VERLANGERUNG SUPPORT FILTRE GRIS+RALLONGE SOPORTE FILTRO GRIS+ALARGADOR	
17	437015	GUARNIZIONE FILTRO POMPA S651- GASKET, PUMP FILTER S651- DICHTUNG, PUMPENFILTER S651- JOINT FILTRE POMPE S651- JUNTA FILTRO BOMBA S651-	
18	127041	MANICOTTO ASPIRAZIONE 463/503 SLEEVE, SUCTION 463/503 MUFFE, ABSAUG. 463/503 MANCHON ASPIRATION 463/503 MANGUITO ASPIRACION 463/503	

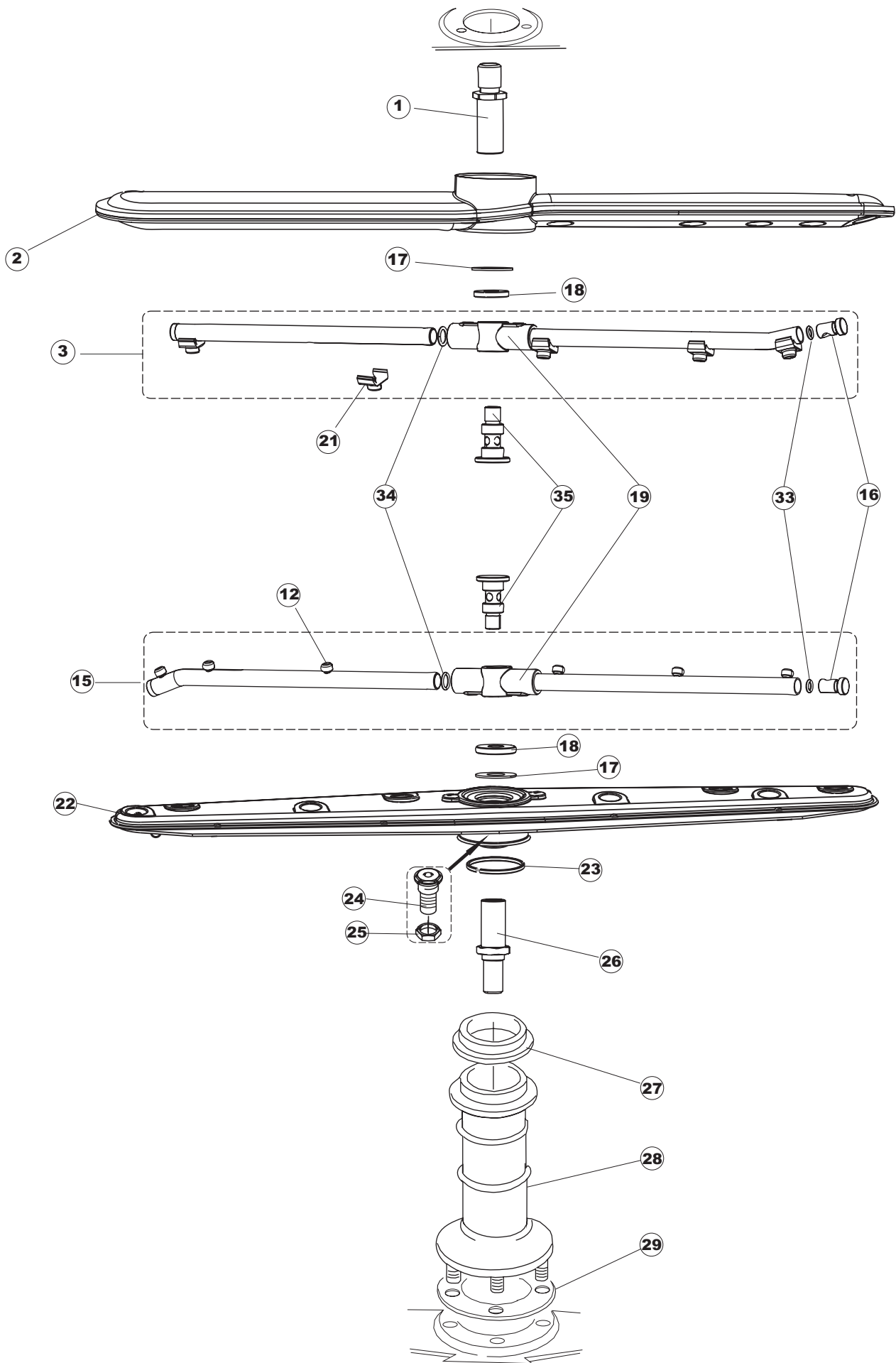
5



Listino componenti per pagina 5

1	303029	ANELLO DI GOCCIOLAMENTO 46/50.. RING, DRIPPING 46/50.. TROPFRING 46/50.. BAGUE DE DEGOUTTEMENT 46/50.. ANILLO DE GOTEIO 46/50. .	
2	437064	GUARNIZIONE COND.CENTR.SUP.50 GASKET, MANIFOLD, CENTR.UPP.50 DICHTUNG, SAMMELLEITUNG, ZENTR.OB.50 JOINT COND.CENTR.SUP.50 JUNTA COND. CENTR. SUP. 50	
3	143240	TUBO CONDOTTA GIUNZIONE H-)COND.SUP. PIPE, H-)COND.UPPER LEITUNG, H-)OB.COND. TUYAU CONDUITE JONCTION H-)COND.SUP. TUBO CONDUCTO UNION H-)COND. SUP.	
4	115131	CONDOTTA LAV.EST.CPL.E50-503 BRACCI/P. EXTERIOR WASH PIPE CPL.E50-503 WASCHLEITUNG AUSSEN CPL.E50-503 DURITE LAVAGE EXT. CPL.E50-503 CONDUCTO LAV.EXT.CPL.E50-503 BRAZOS/P.	
5	127036	MANICOTTO INFER.COND.LAV. 50/f SLEEVE, LOW.WASH.COND. 50/f MUFFE, UNT. SPÜL.KOND. 50/f MANCHON INF.COND.LAV. 50/f MANGUITO INFER. COND. LAV. 50/f	
6	121139	FILTRO FILTER FILTER FILTRE FILTRO PLASTICA LATERAL CUBETA E50(2009)	
7	121138	FILTRO CENTRALE VASCA E50(2009) FITER FILTER FILTRE FILTRO CENTRAL CUBETA E50(2009)	
8	408006	BORCHIA X FILTRO VASCA GRIGIA STUD, FOR TANK FILTER - GREY BESCHLAG, FÜR TANKFILTER - GRAU BOSSE POUR FILTRE CUVE GRISE BOLLON X FILTRO CUBETA GRIS	

6

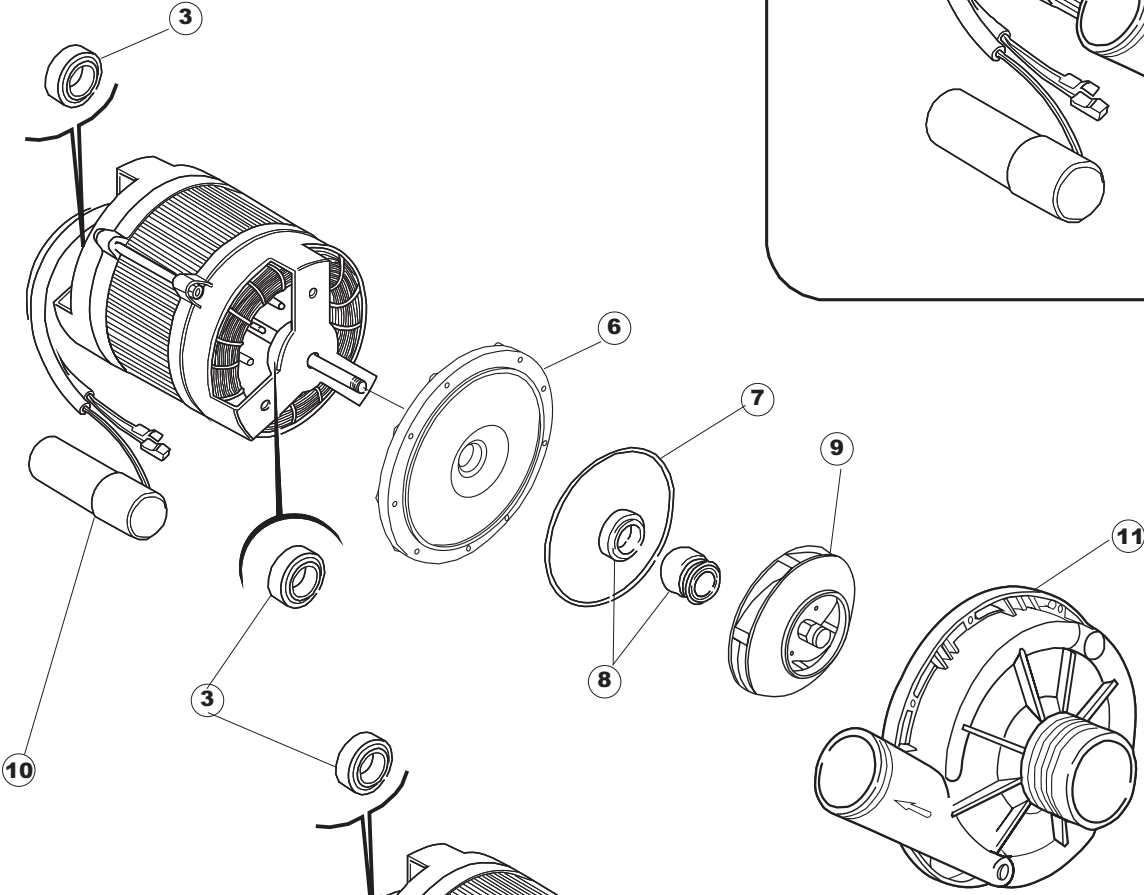
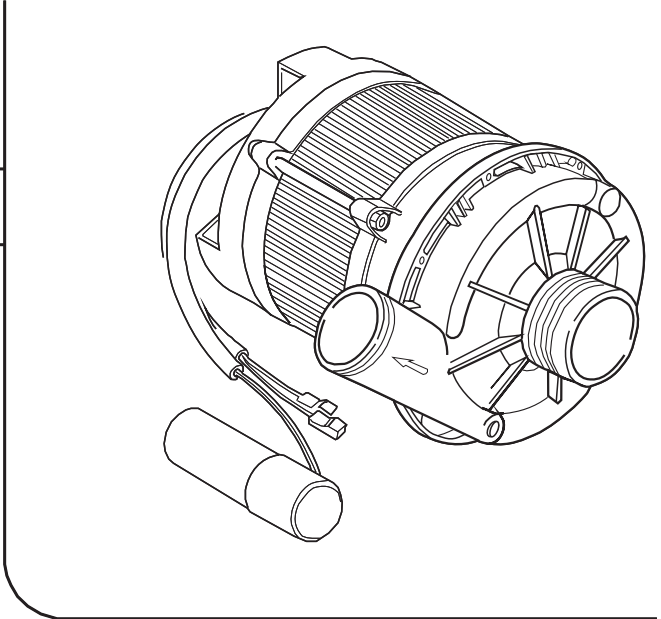
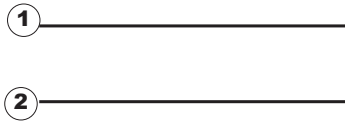


Listino componenti per pagina 6

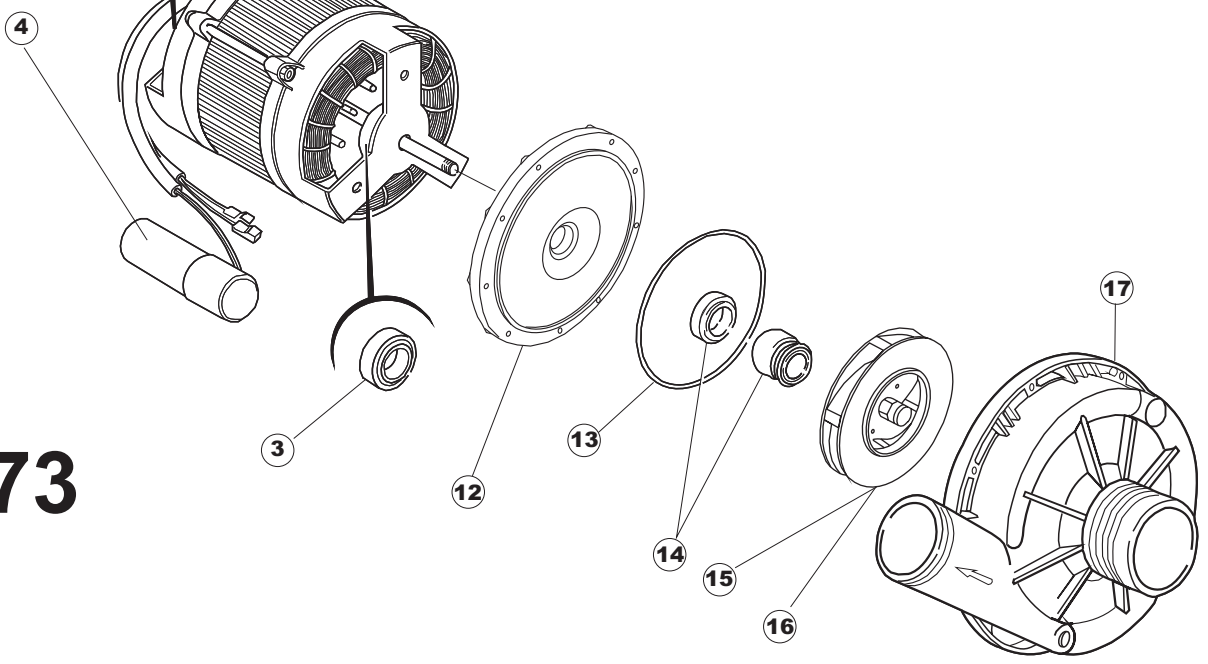
1	325108	PERNO LAVAGGIO HINGE STIFT BROCHES PERNO LAVAD	
2	129076	PETTINE LAVAGGIO PLASTICA E50/LA50 WASH ARM SPRÜHARM BRAS DE LAVER BRAZO DE LAVADO	
3	993069	GRUPPO RISCIAQUO PER LAVAPIATTI RINSE ASSEMBLY NACHSPUELUNGSGRUPPE GROUPE RINCAGE GR.ENJUAGUE	
12	140019	SPRUZZO RISCIAQUO CL.3-NS.COD.165279 SPRAY CL.3-NS.COD.165279 SPRITZ KL.3-NS.SERIENN.165279 JET RINCAGE CL.3-NS.COD.165279 ROCIADOR ENJUAGUE CL. 3	
15	993064	GR.RISCIAQUO SUP.RIVER 54* RINSE ARM ASSEMBLY RIVER 54 NACHSPUELGRUPPE RIVER 54 RAMPE RINCAGE SUP. RIVER 54 GR. ENJUAGUE SUP. RIVER 54	
16	926132	TAPPO PL.X BRACCIO DI RISC.(DWT312) CAP, PLASTIC FOR WASH. ARM (DWT312) PFROPFEN, KUNST. FÜR NACHSPÜLARM (DWT312) BOUCHON PL.POUR BRAS DE RINC.(DWT312) TAPON PL. X BRAZO DE ENJUAGUE (DWT312)	
17	80623	ANELLO IN TEFLON 22X9,5X1 RING 22X9,5X1 RING 22X9,5X1 RING 22X9,5X1 ANILLO DE TEFLON 22X9,5X1	
18	80697	GHIERA ULTRA RINSE INOX NUT RING BAGUE VIROLA ULTRA RINSE INOX	
19	69632	CORPO PETTINE ARM BODY KOERPER DES NACHSPUELARMES CORPS BRAS CUERPO PEINE ENJUAGUE.	
21	140036	SPRUZZO RISCIAQUO D.2,5 X TUBO D12 RINSE JET DUESE GLICEUR ROCIADOR ENJUAGUE D. 2,5	
22	80345	GR.PETTINE LAVAGGIO INOX NM NEW WASH BOSS ASSEMBLY SPUELARM KOMPL. GROUPE RAMPE LAVAGE GR.PEINE LAVADO INOX NM	
23	303032	ANELLO INOX VEDI 303040 RING, INOX WASH. SEAL X5 SEE 303040 DICHTUNGSRING, INOX SPÜL. X5 BAGUE INOX D'ETANCHEITE LAVAGE X5 ANILLO INOX DE ESTANQ. LAVADO X5	
24	417111	BUSSOLA PETTINE LAV.X5 BUSHING, WASH-ARM X5 BUCHSE, SPÜLKAMM X5 DOUILLE PEIGNE LAV.X5 CASQUILLO PEINE LAV. X5	
25	308031	GHIERA BUSSOLA LAVAGGIO X5 RING NUT, WASH.BUSH X5 GEWINDERING, SPÜL.BUCHSE X5 BAGUE DOUILLE LAVAGE X5 VIROLA CASQUILLO LAVADO X5	
26	325094	PERNO PETTINE LAVAGGIO WASH COMB PIN SHAFT WELLE FUER KAMMZAPFEN DES WASCHENS ARBRE PIVOT PEIGNE LAVAGE PERNO PEINE LAV. ECOMAX 500	

27	199058	DISCO PARZIAL.ACQUA PLAST.E55 DISC, WATER FLOW REDUCER PLAST.E55 DROSSELSCHEIBE, WASSER KUNST.E55 DISQUE ETRANGL. EAU PLAST.E55 DISCO PARCIAL. AGUA PLAST. E55	
28	115075	CONDOTTO CENTRALE INFER.50 (H=108) CENTR.PIPELINE - LOWER 50 (H=108) ZENTR.LEITUNG - UNTEN 50 (H=108) CONDUITE CENTR. INF.50 (H=108) CONDUCTO CENTRAL INFER. 50 (H=108)	
29	437014	GUARNIZIONE COND.INFER.S850 GASKET, LOWER MANIFOLD S850 DICHTUNG, UNT.SAMMELLEITUNG S850 JOINT COND.INF.S850 JUNTA COND. INFER. S850	
33	456060	OR 2025(CGR2025) O-ring 2025(CGR2025) O-Ring 2025(CGR2025) OR 2025(CGR2025) OR 2025(CGR2025)	
34	456019	OR 2037 O-ring 2037 O-Ring 2037 OR 2037 OR 2037	
35	80700	PERNO RISCIAQUO HINGE STIFT BROCHES PERNO	

B. 237
(T2350)



T. 173



Listino componenti per pagina 7

1	130109	POMPA HP 0.80 220/240-50 - 50/500 PUMP HP 0.80 220/240-50 - 50/500 PUMPE HP 0.80 220/240-50 - 50/500 POMPE HP 0.80 220/240-50 - 50/500 BOMBA HP 0.80 220/240-50 - 50/500	
2	130119	POMPA B237 HP 0.80 220/60 50 PUMP B237 HP 0.80 220/60 50 PUMPE B237 HP 0.80 220/60 50 POMPE B237 HP 0.80 220/60 50 BOMBA B237 HP 0.80 220/60 50	
3	314001	CUSCINETTO 6201/2Z BEARING 6201/2Z LAGER 6201/2Z PALIER 6201/2Z COJINETE 6201/2Z	
4	206004	CONDENSATORE DA 16 mF CONDENSER - 16 mF KONDENSATOR - 16 mF CONDENSATEUR DE 16 mF CONDENSADOR DE 16 mF	
6	315017	FLANGIA CON CUFFIA B237 FLANGE, W/COVERING DUCT B237 FLANSCH, MIT DECKEL B237 BRIDE AVEC ENVELOPPE B237 BRIDA CON CASQUETE B237	
7	437049	GUARNIZIONE POMPA 2277 GASKET, PUMP 2277 DICHTUNG, PUMPE 2277 JOINT POMPE 2277 JUNTA BOMBA 2277	
8	141002	TENUTA MECCANICA ROTANTE D 12 SEAL, MECH., REVOLVING D 12 DICHTUNG, MECH., ROTIER. D 12 JOINT MECANIQUE PIVOTANT 12 SELLO MECANICO GIRAT. D 12	
9	124065	GIRANTE POMPA B237(1200315D) WASH PUMP IMPELLER FOR B237 FOR DISH- WASHER PUMPENFLUEGELRAD B237 FUER GESCHIRR- SPUELER TURBINE MOTO-POMPE B237 POUR LAVE-VAIS- SELLE ROTOR BOMBA B237(1200315D)	
10	206003	CONDENSATORE DA 12.5 mF CONDENSER - 12.5 mF KONDENSATOR - 12.5 mF CONDENSATEUR DE 12.5 mF CONDENSADOR DE 12.5 mF	
11	116021	CORPO POMPA B237 PUMP SHELL, B237 PUMPENGEHAUSE, B237 CORPS POMPE B237 CUERPO BOMBA B237	
12	315022	FLANGIA POMPA LGB T-173/174 FLANGE, PUMP LGB T-173/174 FLANSCH, PUMPE LGB T-173/174 BRIDE POMPE LGB T-173/174 BRIDA BOMBA LGB T-173/174	
13	456031	OR T30-1297 D.2 O-ring T30-1297 D.2 O-Ring T30-1297 D.2 OR T30-1297 D.2 OR T30-1297 D.2	
14	141007	TENUTA MECC.D.26x13x5,5 BR. SEAL, MECH. D.26x13x5,5 BR. DICHTUNG, MECH.D.26x13x5,5 BR. JOINT MECAN.D.26x13x5,5 BR. SELLO MEC. D. 26x13x5,5 BR.	
15	124031	GIRANTE CHIUSO 50HZ D.104 T170 IMPELLER, CLOSED 50HZ D.104 T170 LAUFRAD, ZU 50HZ D.104 T170 ROUE FERMEE 50HZ D.104 T170 ROTOR CERRADO 50HZ D. 104 T170	
16	124053	GIRANTE CHIUSO 60HZ IMPELLER, CLOSED 60HZ LAUFRAD, ZU 60HZ ROUE FERMEE 60HZ ROTOR CERRADO 60HZ	

17	116019	CORPO POMPA 50 T-173 PUMP SHELL, 50 T-173 PUMPENGEHAUSE, 50 T-173 CORPS POMPE 50 T-173 CUERPO BOMBA 50 T-173	
----	--------	--	--