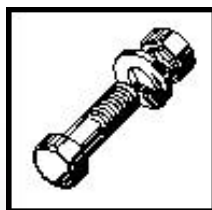




Bratt Pan

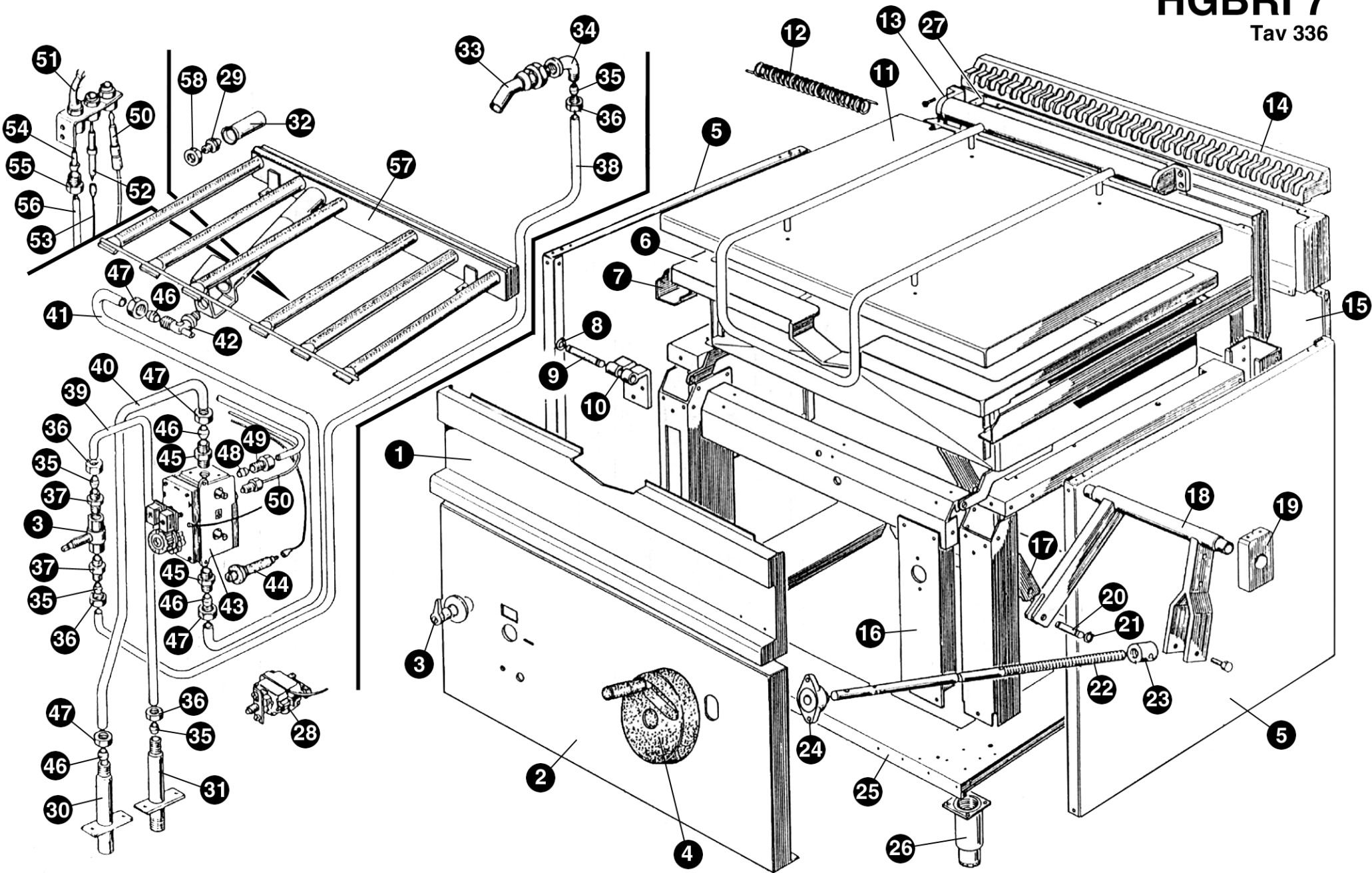
HGBR 7

HGBRI 7



Spare Parts





Key No	Part No	Description
1	GACU700269	CONTROL PANEL
2	PACU701027	FACE
3	RTCU600075	WATER TAP
4	RTBF800093	HANDWAL
5	PACU700424	SIDE
6	RTCU700627	STAINLESS STEEL TANK
	RTCU700628	COMPAUND TANK
7		
8		
9	RTCU700503	TANK INGE PIN
10	RTCU700502	TANK INGE PIN
11	GACU700265	COVER
12	RTCP800026	HINGE SPRING
13	RTCU700633	COVER INGE
14	GACU700266	CHIMNEY GRATE
15	PACU701036	STAINLESS STEEL BACK PANEL
16		
17	RTCU700511	FILTING DEVICE EXTENSION
18	RTCU700509	TANK TILTING DEVICE
19	RTCU700512	TANK TILTING SUPPORT
20	RTBF900096	FILTING DEVICE PLUG
21		
22	RTCU700510	TILTING DEVICE SCREW
23		
24	RTCU700514	NUT SCREW
25	PACU701021	BASE
26	RTCU700277	STAINLESS STEEL FOOT
27	PACU701035	SUPERIOR CHIMNEY
28	RTBF800076	TERMOSTAT OF SECURITY
29		
30	RTCU700515	GAS CONNECTION
31	GABF800035	WATER CONNECTION
32	RTCU700516	BURNER AIR SHUTTER
33	RTCU700319	WATER DISTRIBUTOR
34	RTCU900121	ELBOW FF 3/8 '' G
35	RTCU900012	DOUBLE CONE D.10
36		
37	RTCU900132	NIPLES 3/8"X1/2"
38	RTCU700505	TANK FILING PIPE
39	RTCU700506	WATER FEEDING PIPE
40	RTCU700507	VALVE UNI FEEDING PIPE
41	RTCU700508	BURNER FEEDING PIPE
42	RTCU800180	INJECTOR SUPPORT
43	RTCU900064	VALVE UNIT
44	RTCU700020	PIEZO LIGHTING
45	RTCU900391	NIPLES 3/8'' - Ø 12

Key No	Part No	Description
46	RTCU800195	BICONE FOR PIPE Ø 12
47	RTCU800181	NUT FOR PIPE Ø 12
48	RTCU900018	BICONE FOR PIPE Ø 6
49	RTCU900019	NUT FOR PIPE Ø 6
50	RTCU900474	TERMOCOUPLE CM. 75
51		
52	RTCP800033	SPARK PLUG
53	RTCU900384	LIGHTING CABLE
54		
55	RTCP800038	THERMOCOUPLE FITTING
56	PACU701059	PILOT PIPE
57	RTCU700632	BURNER
58	RTCU900005	SUPPORT LOCK NUT



As continued product improvement is a policy of HOBART, specifications are subject to change with-out notice.

15.09.2003-Issue-1