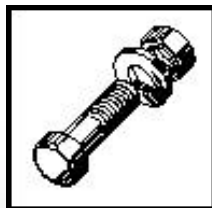




## *Bratt Pan*

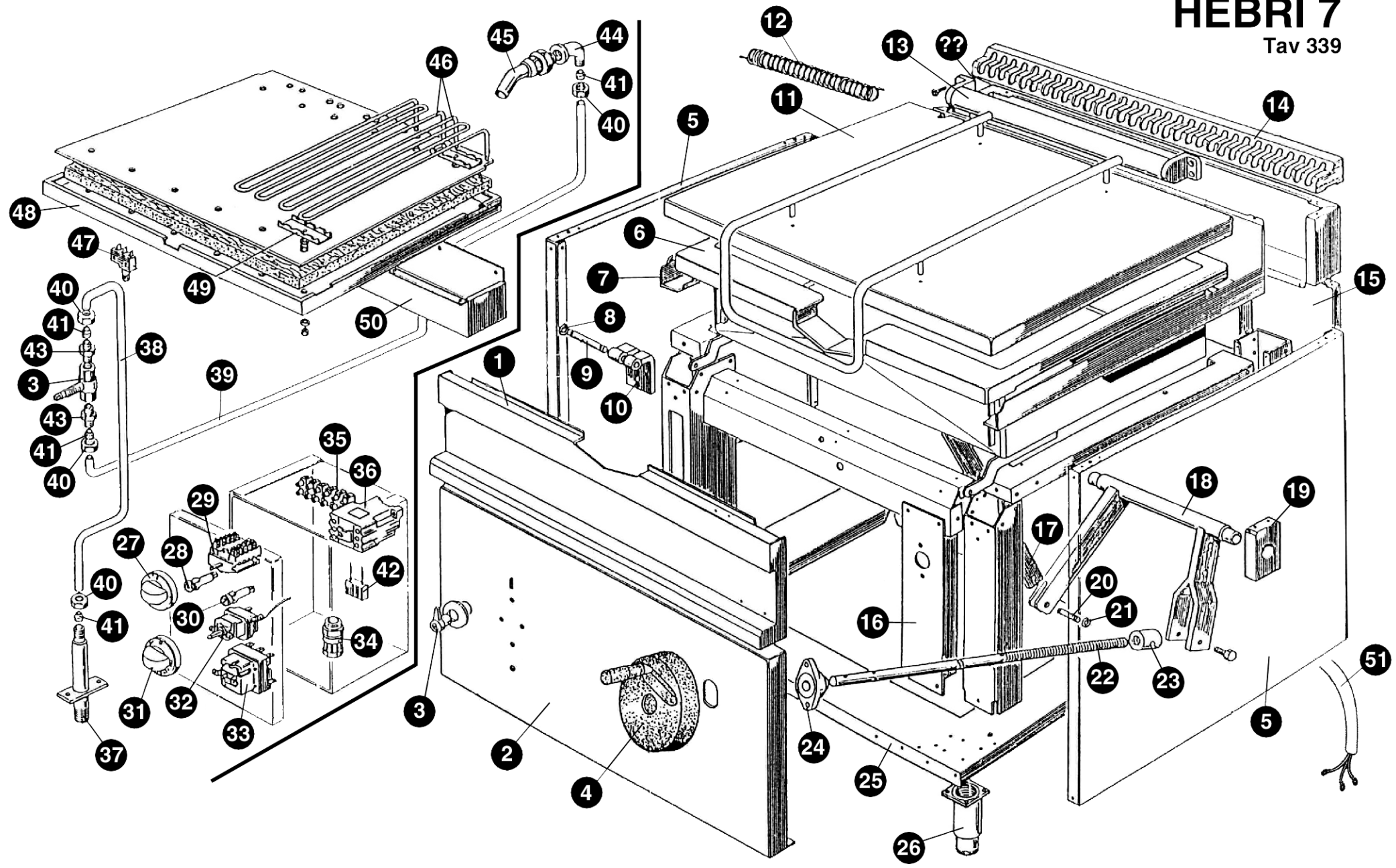
**HEBR 7**

**HEBRI 7**



*Spare Parts*





<b>Key No</b>	<b>Part No</b>	<b>Description</b>
1	GACU700269	CONTROL PANEL
2	PACU701060	FACE
3	RTCU600075	WATER TAP
4	RTBF800093	HANDWAL
5	PACU700424	SIDE
6	RTCU700628	COMPAUND TANK
	GACU700273	STAINLESS STEEL TANK
7		
8		
9	RTCU700503	TANK INGE PIN
10	RTCU700502	TANK INGE PIN
11	GACU700265	COVER
12	RTCP800026	HINGE SPRING
13	RTCU700633	COVER INGE
14	GACU700266	CHIMNEY GRATE
15	PACU701036	STAINLESS STEEL BACK PANEL
16	PACU701053	PIN SUPPORT
17	RTCU700511	FILTING DEVICE EXTENSION
18	RTCU700509	TANK TILTING DEVICE
19	RTCU700512	TANK TILTING SUPPORT
20	RTBF900096	FILTING DEVICE PLUG
21		
22	RTCU700510	TILTING DEVICE SCREW
23	RTCU700514	NUT SCREW
24	RTCU700504	OSCILLATING SUPPORT
25	PACU701021	BASE
26	RTCU700277	STAINLESS STEEL FOOT
27	RTCU700421	COMMUTATOR KNOB
28	RTCU900290	GREEN WARNING LAMP
29	RTCU700212	COMMUTATOR
30	RTCU900072	YELLOW WARNING LAMP
31	RTCU700434	KNOB
32	RTCU700085	THERMOSTAT
33	RTCU800152	LIMIT THERMOSTAT
34	RTCU700103	CABLE GUIDE
35	RTBF900045	TERMINAL BLOCK 6 POLES
36	RTBF800192	RELAY
37	GABF800035	WATER CONNECTION
38	RTCU700506	WATER FEEDING PIPE
39	RTCU700505	TANK FILING PIPE
40	RTCU900013	NUT
41	RTCU900012	DOUBLE CONE D.10
42		
43	RTCU900132	NIPLES 3/8"X1/2"
44	RTCU900121	ELBOW FF 3/8 " G
45	RTCU700319	WATER DISTRIBUTOR



---

Key No	Part No	Description
46		
47		
48	PACU701062	RESISTANCE OUTER HOUSING
49	PACU701063	BRACKET TO FIX ELEMENTS
50	PACU701061	PROTECTION BOX
51		



As continued product improvement is a policy of HOBART, specifications are subject to change with-out notice.

15.09.2003-Issue-1