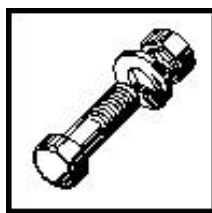


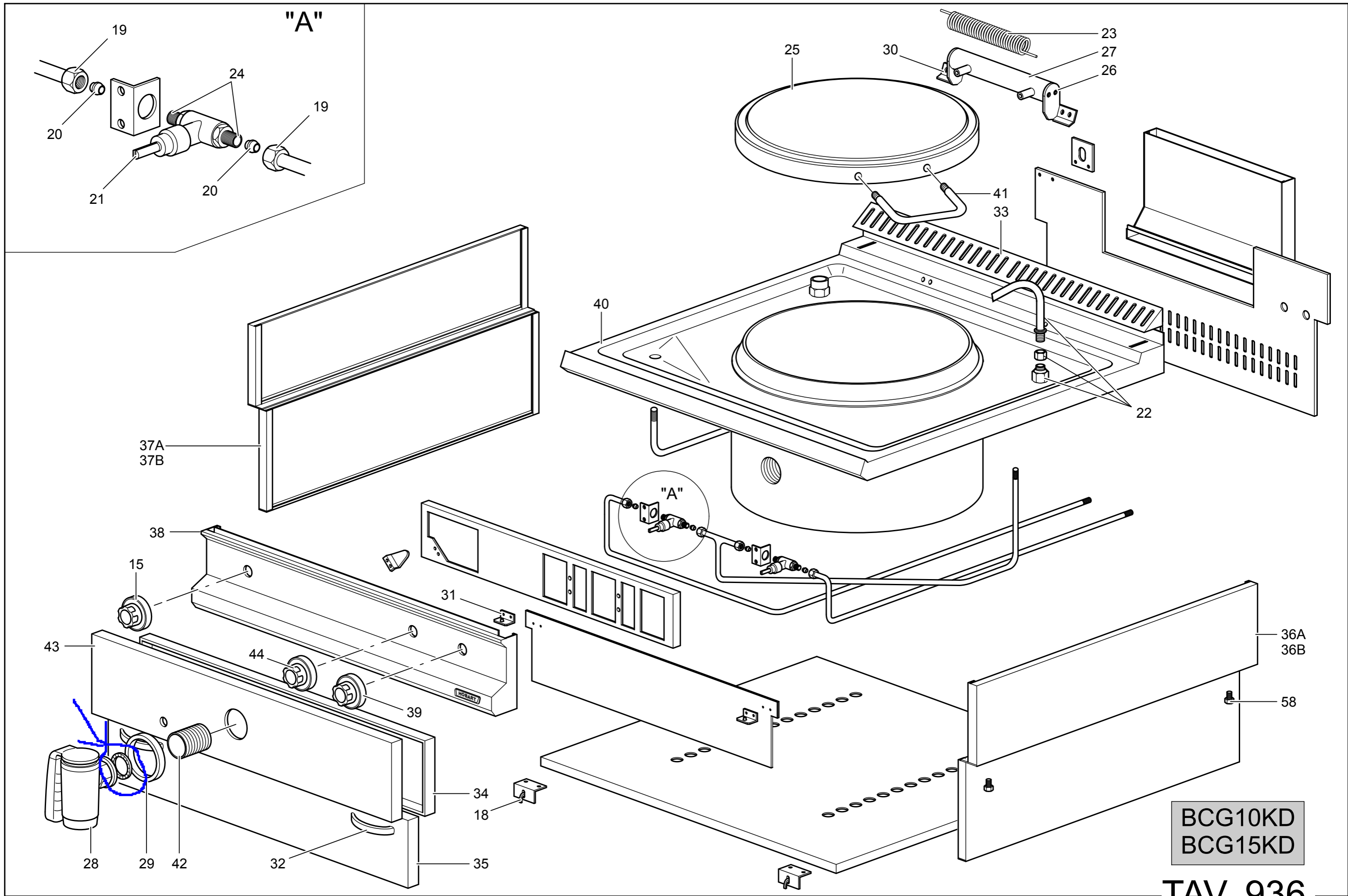


*Gas Kettle*  
**BCG10KD / BCG15KD**



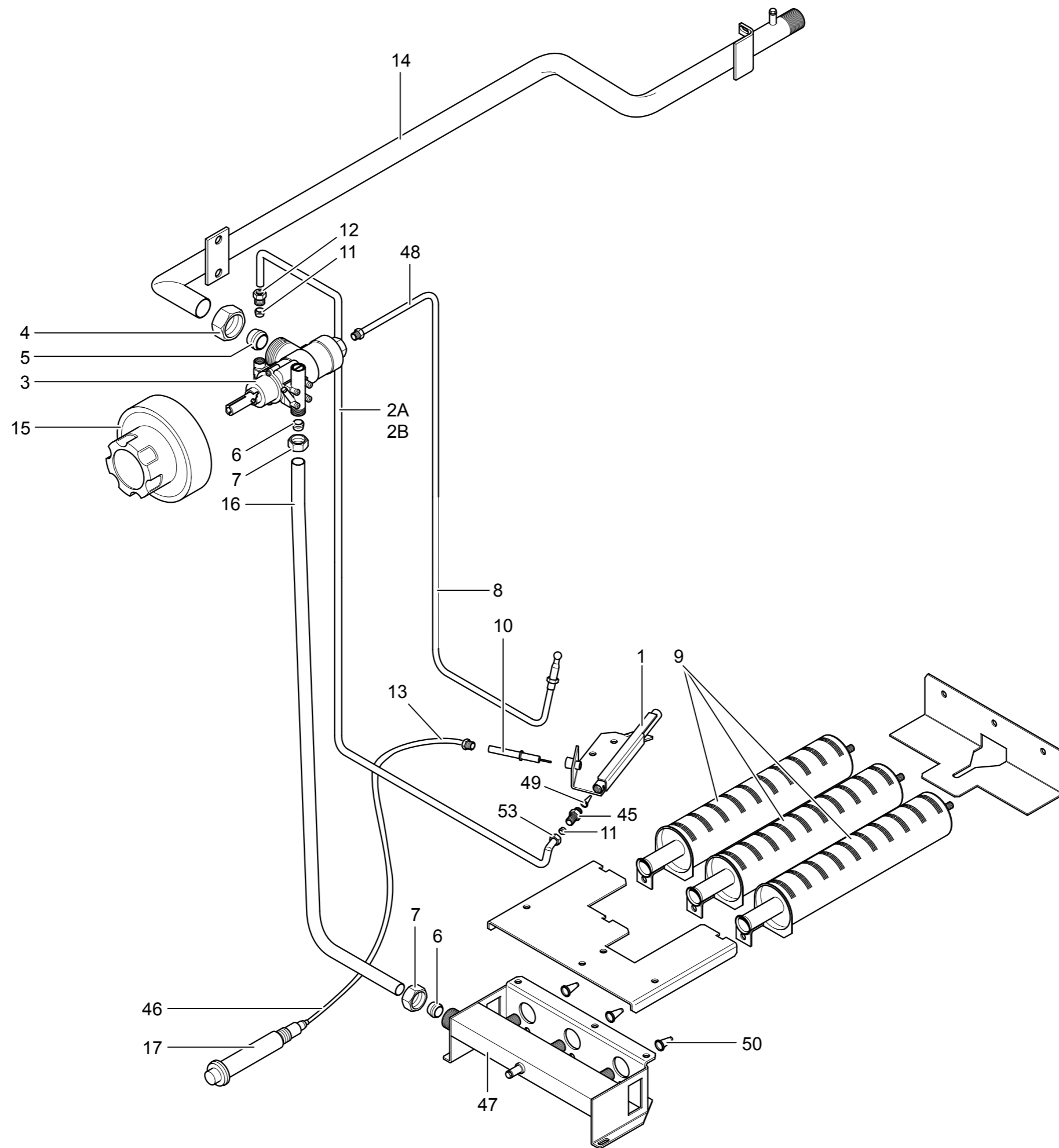
*Spare Parts*





BCG10KD  
BCG15KD

TAV. 936



G100T9  
G150T9

TAV. 936

Key N°	Part N°	Description
1	GACP800065	PILOT
2	<b>A</b> PACP800203	PILOT PIPE <b>BCG10KD</b>
2	<b>B</b> PACP800212	PILOT PIPE <b>BCG15KD</b>
3	RTCP800019	(R) GAS TAP
4	RTCP800021	NUT FOR TAP D. 20
5	RTCP800020	DOUBLE CONE D. 20
6	RTCP800022	NUT FOR TAP D. 16
7	RTCP800023	DOUBLE CONE D. 16
8	RTCU700374	(R) THERMOCOUPLE 60CM
9	RTCU800335	CENTRAL BURNER
10	RTCU900010	(R) ROUND SPARK
11	RTCU900018	DOUBLE CONE D. 6
12	RTCU900019	NUT D. 6
13	RTCU900215	FITTING FOR PILOT SPARK PLUG
14	160452	RAMP
15	163067	TAP KNOB
16	164808	BURNER FEEDING PIPE
17	RTCU700020	(R) PIEZO IGNITION + NUT
18	RTBF900013	DOOR HINGE
19	RTCU900013	(R) NUT D. 10
20	RTCU900012	(R) DOUBLE CONE D. 10
21	RTCP700003	ROBINET DE L'EAU
22	RTCP800024	WATER DISTRIBUTOR
23	RTCP800026	HINGE SPRING COVER
24	RTCU900103	(R) NIPLES 3/ 8"
25	160925	(R) COVER
26	160673	RIGHT HINGE TERMINAL
27	160672	HINGE COVER PIPE
28	RTCP900004	WATER DISCHARGE TAP
29	RTCP900018	BOSS
30	160674	HINGE LEFT TERMINAL
31	160028	BRACKET TO FIX THE CONTROL PANEL
32	160270	COVER
33	163221	WORK PLANE GRATE
34	160431	COUNTER DOOR
35	160432	DOOR
36	<b>A</b> 160433	RIGHT SIDE <b>BCG10KD</b>
36	<b>B</b> 160433	RIGHT SIDE <b>BCG15KD</b>
37	<b>A</b> 160434	LEFT SIDE <b>BCG10KD</b>
37	<b>B</b> 160434	LEFT SIDE <b>BCG15KD</b>

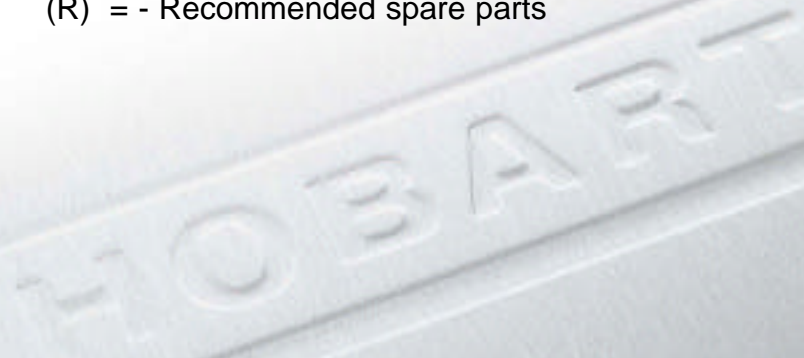
**A = 100 Ltr BCG10KD****B = 150Ltr BCG15KD**

(R) = - Recommended spare parts

Key N°	Part N°	Description	
38	163177	CONTROL PANEL	
39	163070	COLD WATER TAP KNOB	
40	<b>A</b> 164562	BOWL	<b>BCG10KD</b>
40	<b>B</b> 64562	BOWL	<b>BCG15KD</b>
41	160676	COVER HANDLE	
42	160927	NIPLES	
43	<b>A</b> 160430	EXTERNAL FACE	<b>BCG10KD</b>
43	<b>B</b> 160430	EXTERNAL FACE	<b>BCG15KD</b>
44	163064	HOT WATER TAP KNOB	
45	RTC800339	NUT D. 6	
46	RTBF700038	LIGHTING CABLE	
47	160946	INJECTOR SUPPORT	
48	RTCP800131	PROLONGE THERMOCOUPLE	
49	VEDI MAN.	PILOT INJECTOR	
50	VEDI MAN.	INJECTOR	

**A = 100 Ltr BCG10KD**  
**B = 150Ltr BCG15KD**

(R) = - Recommended spare parts

The image shows a close-up of a metal surface with the word "HOBART" embossed in a rectangular frame. The embossing is a light relief, and the background is a textured, metallic grey.



As continued product improvement is a policy of HOBART, specifications are subject to change with-out notice.