

**HOBART**

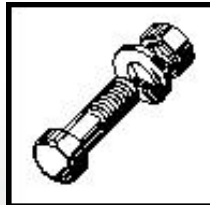


*Bain - Marie*

*Gas*

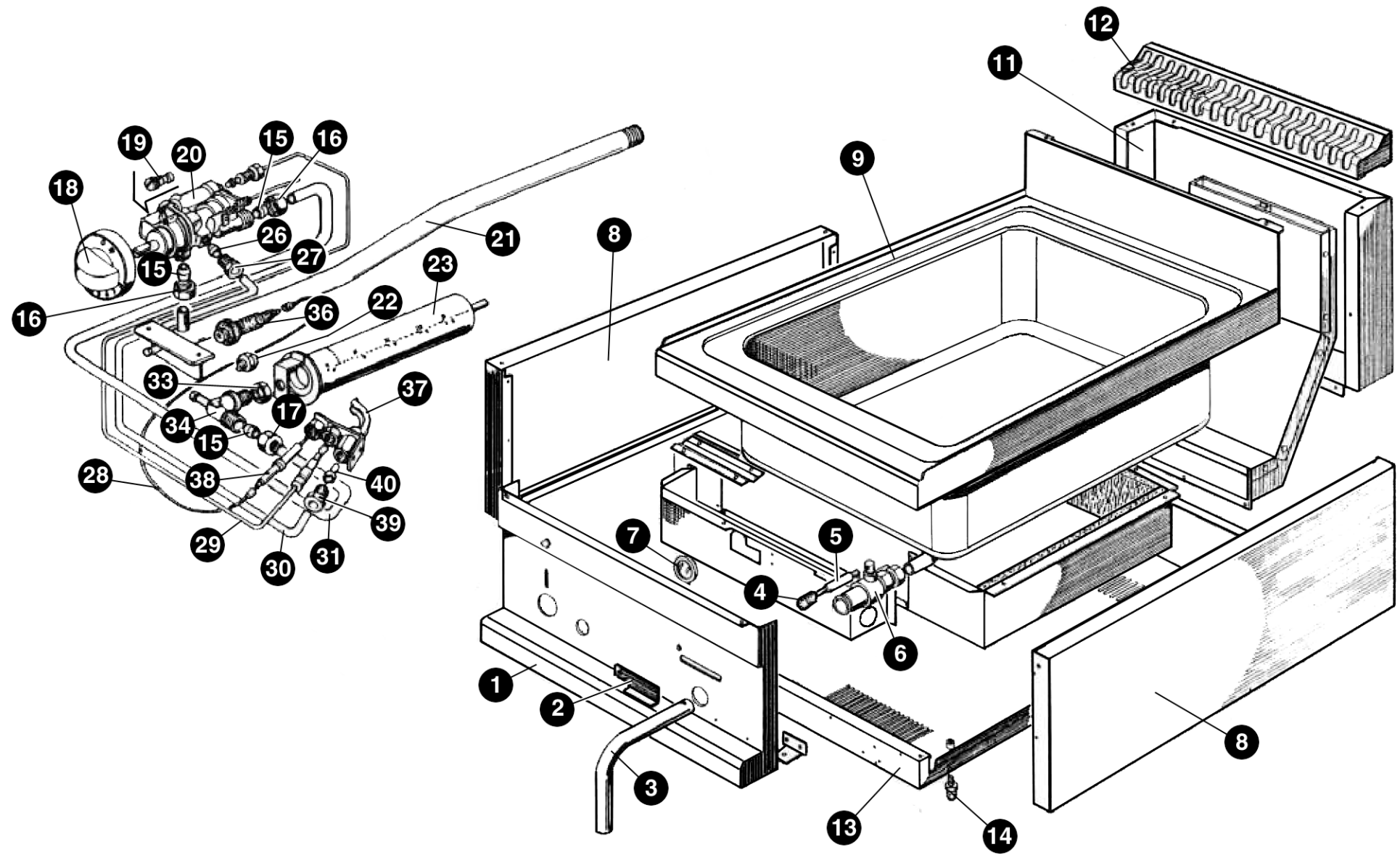
**HGBM 47**

**HGBM 77**

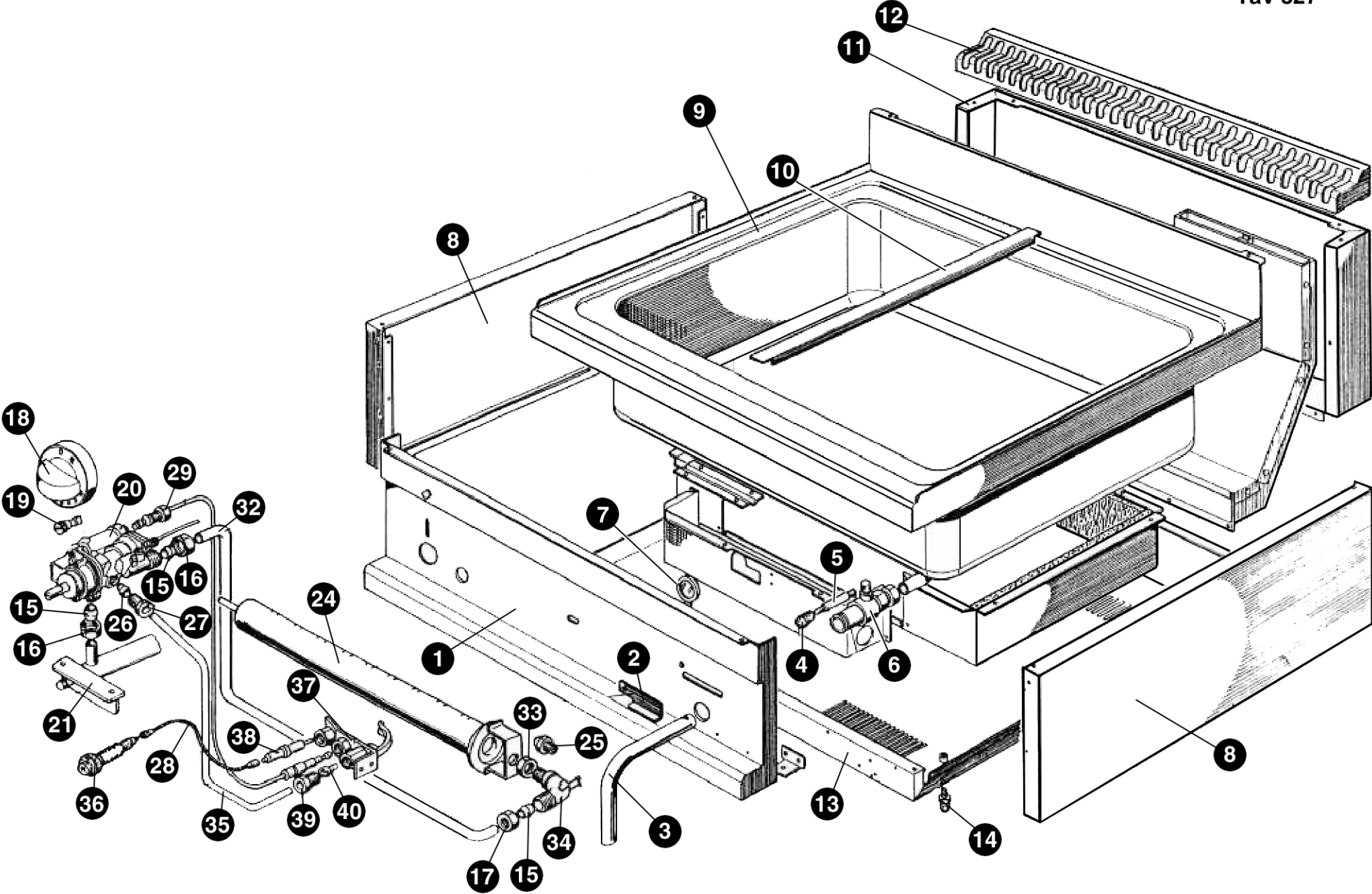


*Spare Parts*

**CE**



<b>Key No</b>	<b>Part No</b>	<b>Description</b>
1	GACU700126	CONTROL PANEL
2	PACU700651	LOCK FOR TAP ROD
3	RTCU700318	DISCHARGE PIPE
4	RTCU700413	SAFETY VALVE KNOB
5	RTCU700412	TAP ROD
6	RTCU700290	DISCHARGE TAP
7	RTBF900054	SPY-HOLE
8	PACU700503	SIDE
9	GACU700125	TANK
10		
11	PACU700504	SUPERIOR CHIMNEY
12	GACU700115	CHIMNEY GRILL
13	PACU700502	BOTTOM
14	RTCU700324	FOOT
15	RTCU900012	DOUBLE CONE D.10
16	RTCU700297	NUT FOR PIPE Ø 10
17	RTCU900013	NUT
18	RTCU700344	THERMOSTAT HANDLE
19	RTCU700136	BY-PASS Ø 0,40
20	RTCU700363	GAS THERMOSTAT
21	RTCU700364	FEEDING COLLECTOR
22		
23	RTCU700320	BURNER
24		
25		
26		
27	RTCU900019	NUT FOR PIPE Ø 6
28		
29	RTCU700296	THERMOCOUPLE
30	PACU700532	PILOT PIPE
31	PACU700531	FEEDING PIPE FOR BURNER
32		
33	RTCU900005	SUPPORT LOCK NUT
34	RTCU900337	INJECTOR SUPPORT
35		
36	RTCU700020	PIEZO LIGHTING
37		
38	RTCP800033	SPARK PLUG
39	RTCP800038	THERMOCOUPLE FITTING
40		



Key No	Part No	Description
1	GACU700128	CONTROL PANEL
2	PACU700651	LOCK FOR TAP ROD
3	RTCU700318	DISCHARGE PIPE
4	RTCU700413	SAFETY VALVE KNOB
5	RTCU700412	TAP ROD
6	RTCU700290	DISCHARGE TAP
7	RTBF900054	SPY-HOLE
8	PACU700503	SIDE
9	GACU700127	TANK
10	PABF700015	CROSSBAR SUPPORT FOR BASSIN
11	PACU700525	SUPERIOR CHIMNEY
12	GACU700118	CHIMNEY GRILL
13	PACU700521	BOTTOM
14	RTCU700324	FOOT
15	RTCU900012	DOUBLE CONE D.10
16	RTCU700297	NUT FOR PIPE Ø 10
17	RTCU900013	NUT
18	RTCU700344	THERMOSTAT HANDLE
19	RTBF800210	BY-PASS Ø 0,50
20	RTCU700363	GAS THERMOSTAT
21	RTCU700364	FEEDING COLLECTOR
22		
23		
24	RTCU700321	BURNER
25		
26	RTCU900018	BICONE FOR PIPE Ø 6
27	RTCU900019	NUT FOR PIPE Ø 6
28	RTCU900384	LIGHTING CABLE
29	RTCU700296	THERMOCOUPLE
30		
31		
32	PACU700544	FEEDING PIPE FOR BURNER
33	RTCU900005	SUPPORT LOCK NUT
34	RTCU900337	INJECTOR SUPPORT
35	PACU700545	PILOT PIPE
36	RTCU700020	PIEZO LIGHTING
37	RTCP800034	PILOT BODY
38	RTCP800033	SPARK PLUG
39	RTCP800038	THERMOCOUPLE FITTING
40	RTCP800041	INJECTOR PILOT Ø 0,19 FOR LPG
	RTCP800059	NATURAL GAS INJEC. PILOT Ø 0,27



As continued product improvement is a policy of HOBART, specifications are subject to change with-out notice.

15.09.2003-Issue-1