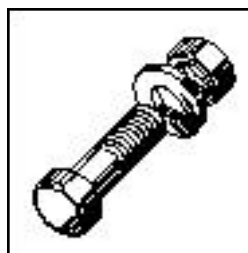




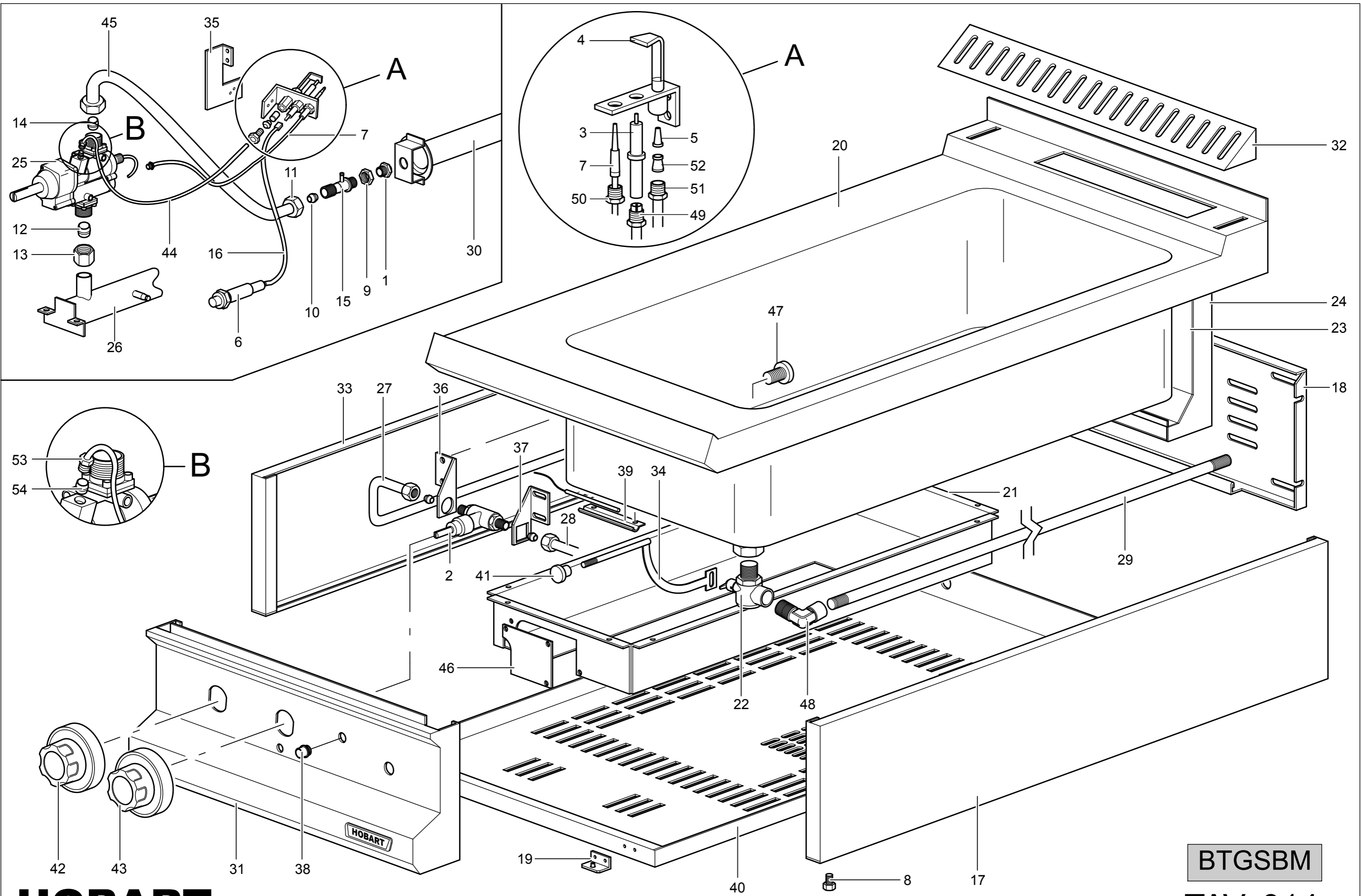
HOBART



BTGSBM
Gas Bain-Marie



Spare Parts



HOBART

BTGSBM
TAV. 914

| Key N° | Part N° | Description |
|--------|---------------------|------------------------------|
| 1 | VEDI MANUALE UGELLI | INIECTOR |
| 2 | RTCP700003 | WATER TAP |
| 3 | RTCP800033 (R) | SPARK PLUG |
| 4 | RTCP800034 (R) | PILOT BODY |
| 5 | VEDI MANUALE UGELLI | PILOT INJECTOR |
| 6 | RTCU700020 (R) | PIEZO LIGHTING |
| 7 | RTCU700296 | THERMOCOUPLE |
| 8 | RTCU700324 | FOOT |
| 9 | RTCU900005 | C/NUT |
| 10 | RTCU900012 | BICONE Ø10 |
| 11 | RTCU900013 | NUT Ø10 |
| 12 | RTCU900014 | BICONE Ø12 |
| 13 | RTCU900015 | NUT Ø12 |
| 14 | RTCU900016 | BICONE Ø 10 |
| 15 | RTCU900337 | INJECTOR SUPPORT |
| 16 | RTCU900384 (R) | LIGHTING CABLE |
| 17 | 160021 | RIGHT SIDE |
| 18 | 160022 | INOX BACK PANEL |
| 19 | 160028 | BRACKET TO FIX CONTROL PANEL |
| 20 | 163270 | TANK |
| 21 | 160211 | COMBUSTION CHAMBER |
| 22 | 160214 | WATER DISCHARGE TAP |
| 23 | 160216 | FLUE FRONT WALL |
| 24 | 160218 | FLUE REAR WALL |
| 25 | 160220 (R) | GAS THERMOSTAT |
| 26 | 160221 | COLLECTOR |
| 27 | 160222 | WATER TAP FEEDING PIPE |
| 28 | 160223 | WATER FEEDING PIPE |
| 29 | 160226 | WATER DISCHARGE PIPE |
| 30 | 160239 | BURNER GBM49T |
| 31 | 163191 | DASH BOARD |
| 32 | 163222 | CHIMNEY GRILL |
| 33 | 160319 | LEFT SIDE |
| 34 | 160341 | TAP EXTENSION |
| 35 | 160347 | BRACKET TO SUPPORT PILOT |
| 36 | 160353 | LEFT WATER TAP CREW |
| 37 | 160354 | RRIGHT WATER TAP CREW |
| 38 | 160380 | ROD GUIDE |
| 39 | 160399 | BULB HOLDER |
| 40 | 160412 | BOTTOM TOP |
| 41 | 160470 | DRAIN KNOB |
| 42 | 162481+163087 (R) | THERMOSTAT KNOB+RING |

(R) = - Recommended spare parts

| Key N° | Part N° | | Description |
|--------|---------------|-----|------------------------------|
| 43 | 163114+163079 | (R) | TAP KNOP+RING |
| 44 | 160513 | | BURNER PILOT PIPE |
| 45 | 160514 | | FEEDING PIPE FOR BURNER |
| 46 | 160396 | | BURNER FIXING BRACKET |
| 47 | 160224 | | WATER DISTRIBUTOR |
| 48 | RTC900121 | | ELBOW |
| 49 | RTC900215 | | FITTING FOR PILOT SPARK PLUG |
| 50 | RTCP800038 | | NUT FOR THERMOELEMENT |
| 51 | RTC900182 | | NUT Ø6 |
| 52 | RTC900183 | | BICONE Ø6 |
| 53 | RTC900019 | | NUT Ø6 PEL |
| 54 | RTC900018 | | BICONE Ø6 PEL |

(R) = - Recommended spare parts