

4 kW

4 kW

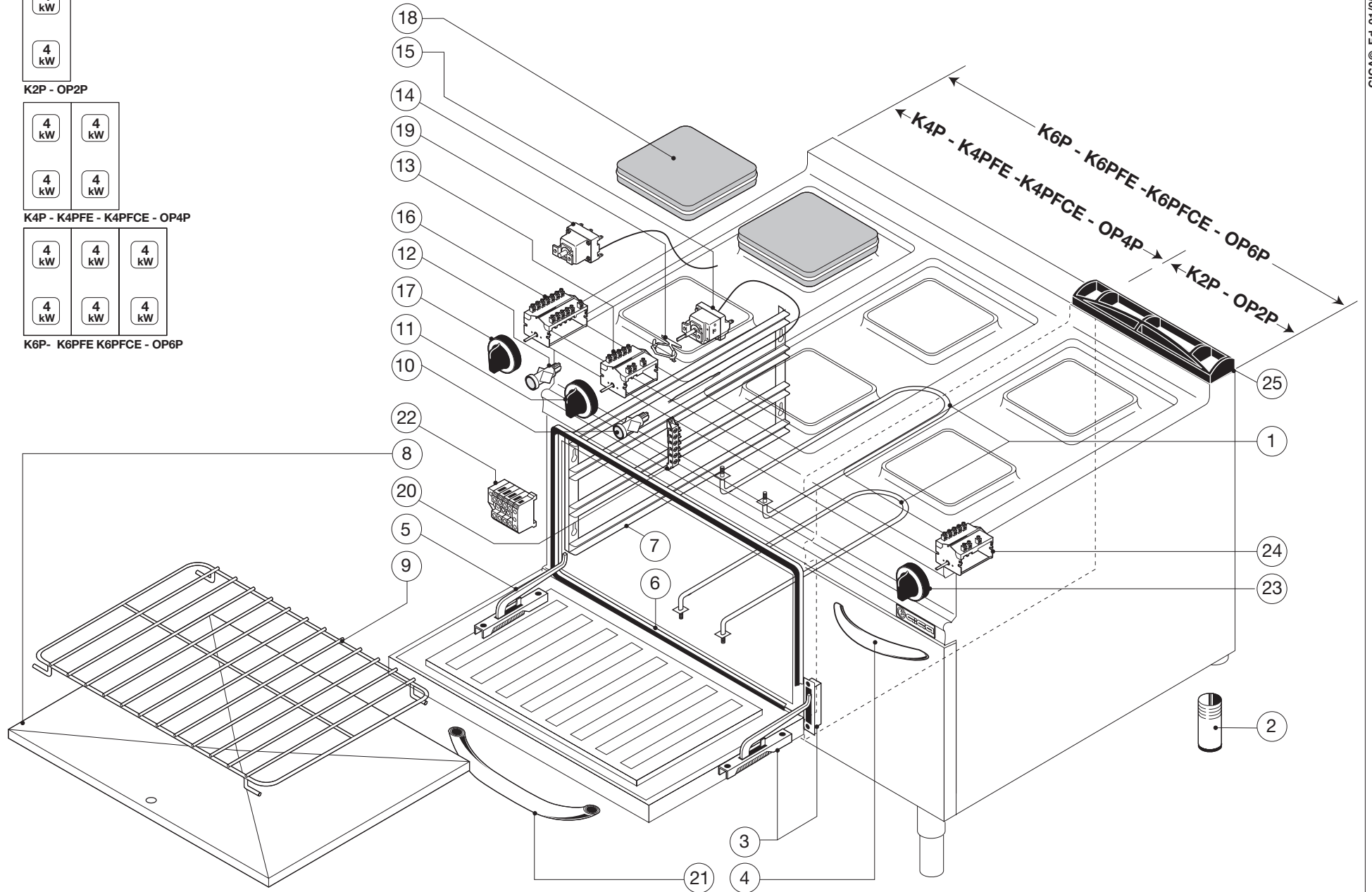
K2P - OP2P

4 kW	4 kW
4 kW	4 kW

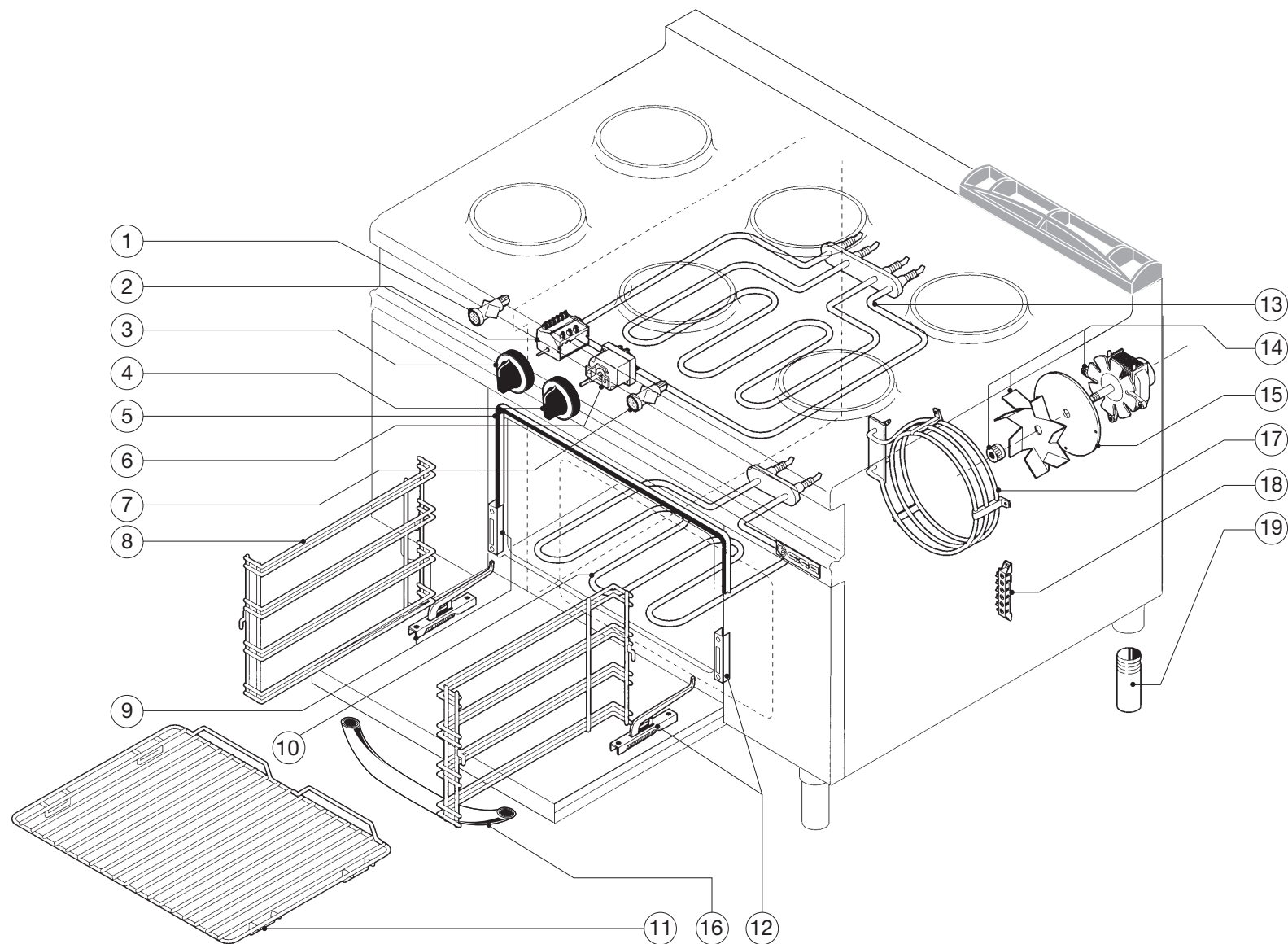
K4P - K4PFE - K4PFCE - OP4P

4 kW	4 kW	4 kW
4 kW	4 kW	4 kW

K6P - K6PFE - K6PFCE - OP6P



Pezzi/Pieces Pieces/Anzahl							Pos.	Validità dalla matricola Validité du numéro matricule Validity from serial number Gültigkeit ab der (Seriennummer)	Validità alla matricola Validity up to serial number Validité au numéro matricule Gültigkeit bis zur (Seriennummer)	Codice Code Artikel Nummer	Descrizione	Description	Description	Beschreibung
K4PFCE	K6PFCE	K2P - OP2P*	K4P - OP4P*	K6P - OP6P*	K4PFE	K6PFE								
					6	6	1			X47000	Resistenza	Resistance	Resistance	Resistenz
4	4	4/0*	4/0*	4/0*	4	4	2			Y40400	Piedino	Foot	Pied	Fuss
1	1				1	1	3			X66000	Cerniera dx	R. H. Hinge	Charniere droite	Scharnier rechts
							4			Y65500	Maniglia porta	Door handle	Pognée four	Turgriff
1	1				1	1	5			X66100	Cerniera sx	L. H. Hinge	Charniere gauche	Scharnier links
1	1				1	1	6			0000X05600	Guarnizione porta	Door seal	Joint porte	Türdichtung
2	2				2	2	7			B85500	Reggigriglia dx-sx	L.H.-R.H. Grid support	Appui grille droite/gauche	Rostauflegeschiene R.-L.
1	1				1	1	8			B88700	Suola	Floor	Sole	Boden
1	1				1	1	9			G21P	Griglia	Grid	Grille	Rost
5	7	2	4	6	5	7	10			X50900	Lampada verde	Green light	Lampe vert	Grüne Kontrollampe
					1	1	11			0000Y65004	Manopola temperatura	Oven temp.	Cle de commande temper.	Drehknopf temp.
1	1				1	1	12			X41200	Lampada gialla	Yellow light	Lampe jaune	Gelbe Kontrollampe
					1	1	13			X49700	Commutatore per term.	Therm. selector switch	Commutateur pour therm.	Schalter für Thermosteem.
1	1				1	1	14			X44600	Staffa per collegamento	Connecting bracket	Collier de raccordement	Anschlussbügel
					1	1	15			X43900	Termostato 50-300°C forno	Oven thermostat 50-300°C	Thermostat 50-300°C four	Thermostat 50-300°C Ofen
					1	1	16			X44100	Commutatore 4 posizioni	4-Pos. selector switch	Commutateur 4 positions	4 Positionenschalte
					1	1	17			0000Y65007	Manopola forno elettrico	Electric oven knob	Cle de commande pour electric four	elektrischer Ofendrehknopf
4	6	2	4	6	4	6	18			Y12100	Piastra 4000 W	Plate 4000 W	Plaque 4000 W	Platte 4000 W
					1	1	19			X44800	Termostato di sicurezza	Safety thermostat	Thermostat de securite	Sicherheitsthermostat
1	1	1	1	1			20			Y59000	Morsettiera	Terminal board	Barrette de raccordement	Klemmleiste
1	1				1	1	21			Y65700	Maniglia forno	Oven handle	Poignée four	Backofengriff
					1	1	22			0000X53900	Morsettiera arrivo linea	Line-in term. board	Plaque à bornes réseau	Stromanschl. Klemme
4	6	2	4	6	4	6	23			0000Y65005	Manopola per piastre	Plate knob	Bouton plaques	Drehknopf für platten
4	6	2	4	6	4	6	24			X54100	Commutatore 7 posizioni	7-Pos. selector switch	Commutateur 7 positions	7 Positionenschalter
2	3	1	2	3	2	3	25			1550Y63500	Griglia scarico fumi	Smoke discharge grid	Grille évacuation des fumées	Rauchblassgitter



N.B.: La tavola si completa con la successiva n° See table No. Voir tableau n° Wichtig: S. folgender Plan Nr.

•3E01-003 K4FSFCE	•3E01-012 K4FZFCE - K6FZFCE K8FZFCE - K4FZSFCE	•3E01-014 KTPFCE K2FTPFCE	•3E01-015 K4PFCE K6PFCE	•3E01-016 K4VFCE
----------------------	--	---------------------------------	-------------------------------	---------------------

3E01-007

K4FZFCE - K4FZSFCE - K4FSFCE
KTPFCE - K2FTPFCE - K4PFCE
K4VFCE - K6FZFCE - K6PFCE
K8FZFCE

Pezzi/Pieces Pieces/Anzahl										Pos.	Validità dalla matricola Validité du numéro matricule Validity from serial number Gültigkeit ab der (Seriennummer)	Validità alla matricola Validity up to serial number Validité au numéro matricule Gültigkeit bis zur (Seriennummer)	Codice Code Artikel Nummer	Descrizione	Description	Description	Beschreibung
K4FSFCE	K4FZFE	K1PFCE	K4PFCE	K4VFCE	K4FZSFE	K6FZFE	K2TFPCE	K6PFCE	K8FZFE								
1	1	1	1	1	1	1	1	1	2	1			X50900	Lampada verde	Green light	Lampe vert	Grüne Kontrolllampe
1	1	1	1	1	1	1	1	1	2	2			X68204	Commutatore	Selector switch	Commutateur	Schalter
1	1	1	1	1	1	1	1	1	2	3			0000Y65008	Manopola commutatore	Selector knob	Bouton commutat.	Umschaltknopf
1	1	1	1	1	1	1	1	1	2	4			0000Y65004	Manopola termostato	Knob thermostat	Cle de commande thermoc.	Drehknop thermostat
1	1	1	1	1	1	1	1	1	2	5			1000X05600	Guarnizione porta	Door seal	Joint porte	Türdichtung
1	1	1	1	1	1	1	1	1	2	6			X68205	Termostato	Oven thermostat	Thermostat	Thermostat
1	1	1	1	1	1	1	1	1	2	7			X41200	Lampada gialla	Yellow light	Lampe jaune	Gelbe kontrolllampe
2	2	2	2	2	2	2	2	2	4	8			V05900	Reggigriglia sx/dx	R.H. grid support	Appui grille gauche	Oberer heizwiderstand
1	1	1	1	1	1	1	1	1	2	9			X66100	Cerniera sx	L.H. hinge	Charniere gauche	Rostauflegeschiene L.
1	1	1	1	1	1	1	1	1	2	10			X68203	Resistenza inferiore	Bottom resistance	Resistance inferieure	Unterer heizwiderstand
1	1	1	1	1	1	1	1	1	2	11			G11PF	Griglia	Grid	Grille	Rost
1	1	1	1	1	1	1	1	1	2	12			X66000	Cerniera dx	R.H. hinge	Charniere droite	Scharnier rechts
1	1	1	1	1	1	1	1	1	2	13			X68202	Resistenza superiore	Top resistance	Resistance superieure	Oberer heizwiderstand
1	1	1	1	1	1	1	1	1	2	14			V03000	Motoventilatore	Electric fan	Moto-ventilateur	Motorventilator
1	1	1	1	1	1	1	1	1	2	15			V05400	Isolamento	Insulation	Isolation	Isolierung
1	1	1	1	1	1	1	1	1	2	16			Y65700	Maniglia forno	Oven handle	Poignée four	Backofengriff
1	1	1	1	1	1	1	1	1	2	17			X68002	Resistenza	Resistance	Resistance	Resistenz
1	1	1	1	1	1	1	1	1	2	18			X59000	Morsettiera	Terminal board	Barrette de raccordement	Klemmleiste
4	4	4	4	4	4	4	4	4	4	19			Y40400	Piedino	Foot	Pied	Fuss