

|    |                            |
|----|----------------------------|
| I  | LAVASTOVIGLIE INDUSTRIALI  |
| F  | LAVE-VAISELLE INDUSTRIELES |
| GB | INDUSTRIAL DISHWASHER      |
| D  | INDUSTRIEGESCHIRRSPÜLER    |
| ES | LAVAVAJILLAS INDUSTRIALES  |
| PT | LOIÇA INDUSTRIAIS          |



# GLS905



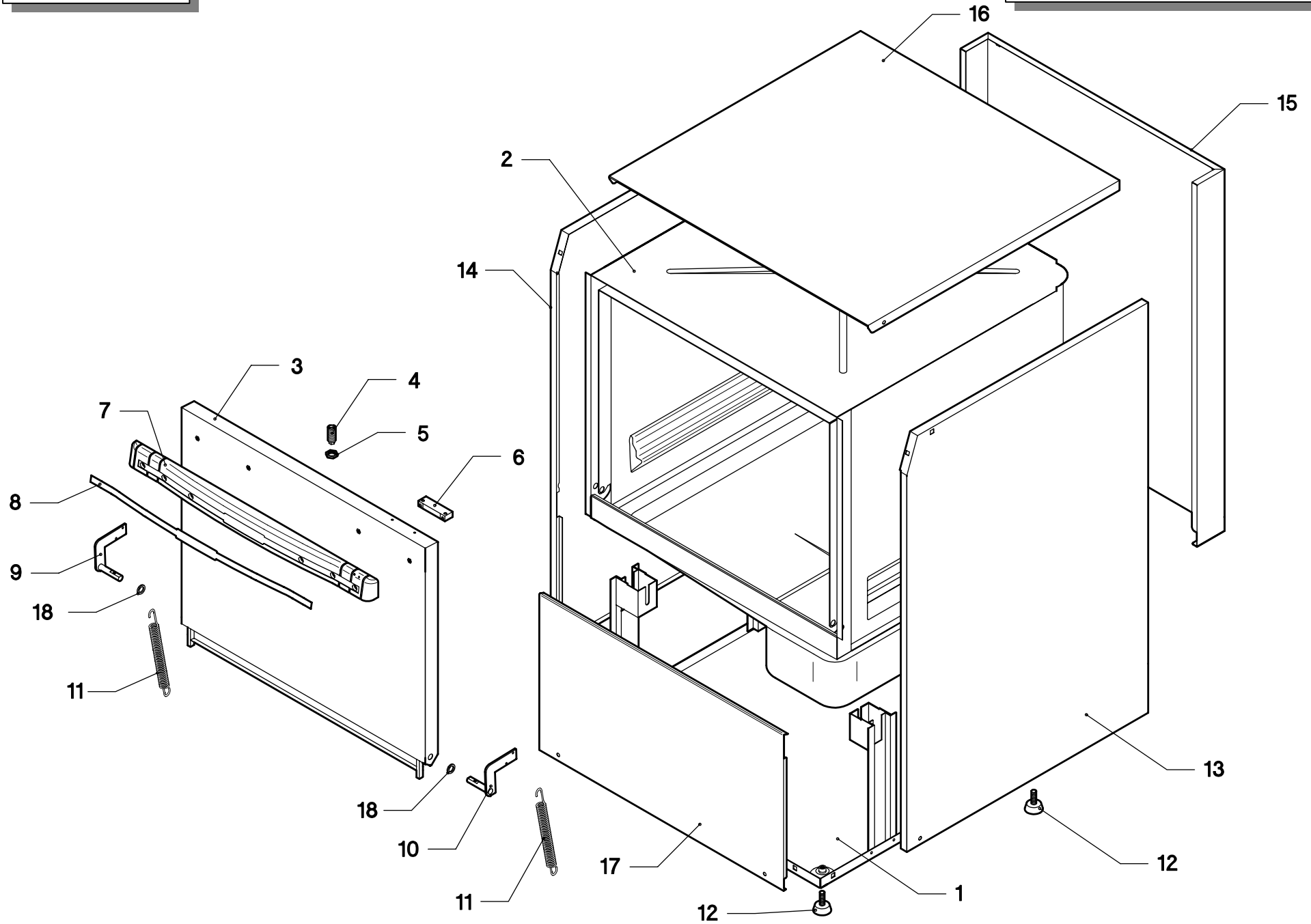
**GRANDI CUCINE**

MANUALE DEI RICAMBI

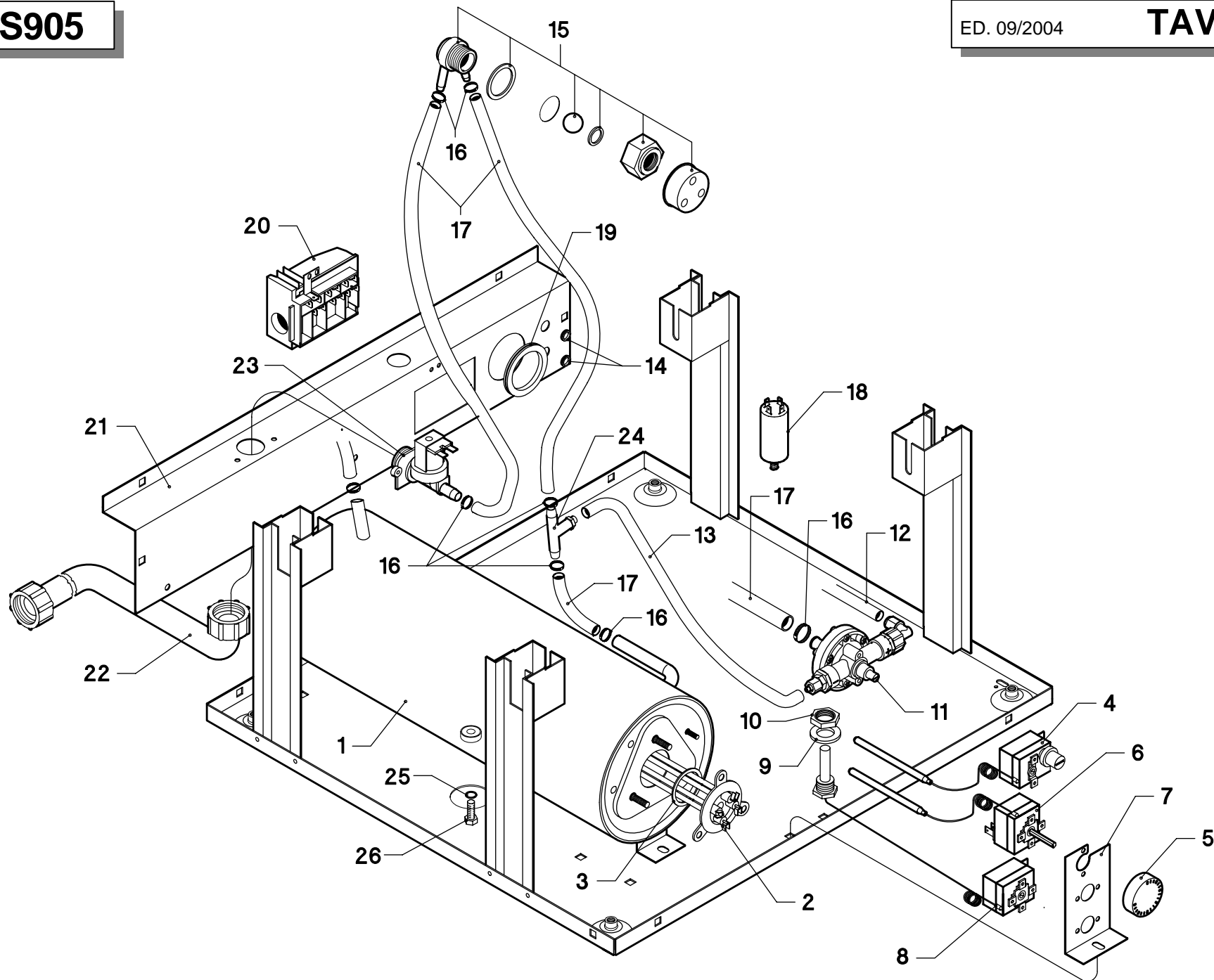
SPARE PARTS

CATALOGUES PIÈCES

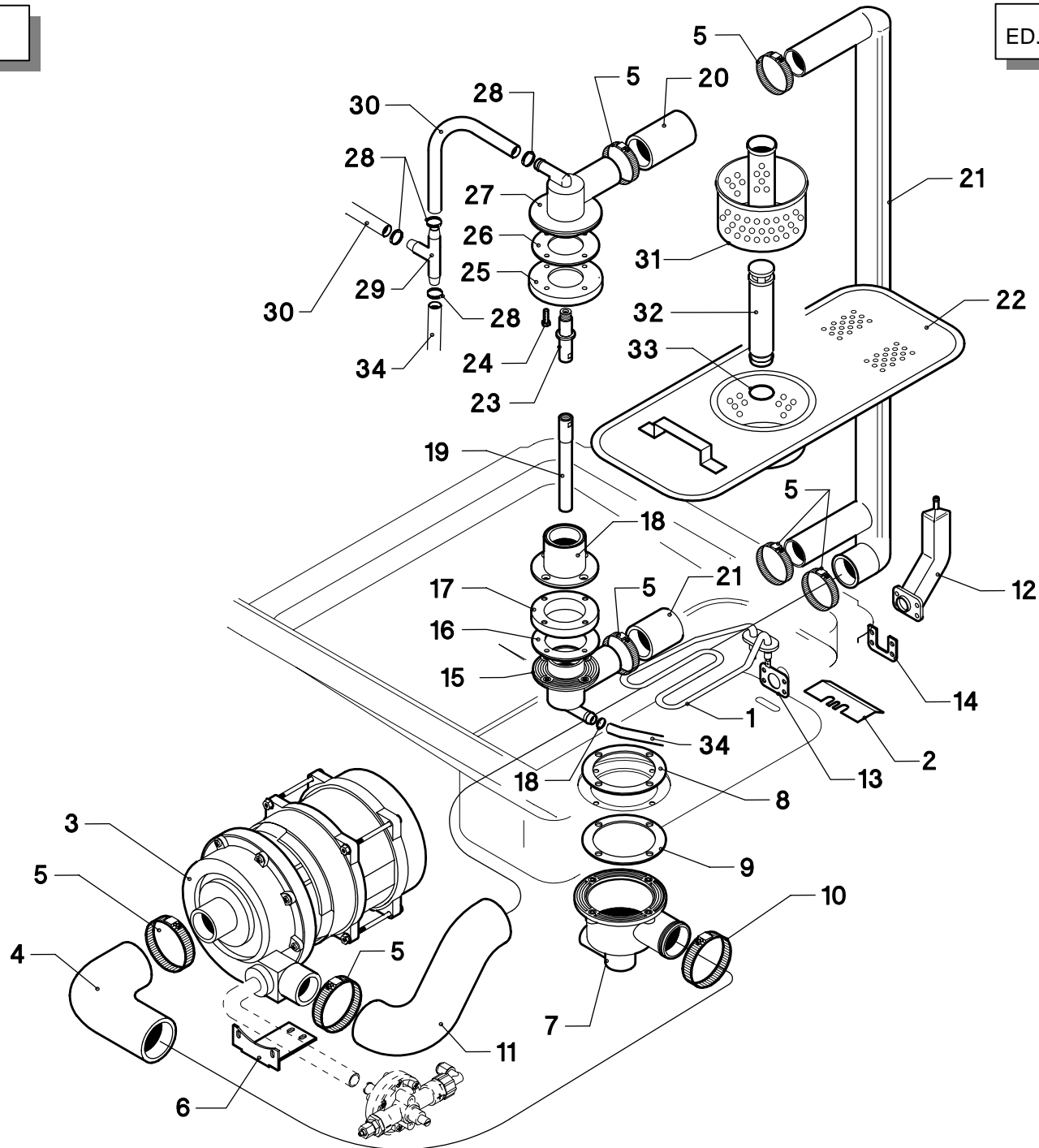
ERSATZTEILEKATALOG



| <i>Pos.</i> | <i>COD.</i> | <i>COD.</i> | <i>Q.tà</i> | <i>DESCRIZIONE</i>       | <i>DENOMINATION</i>     | <i>DESCRIPTION</i> | <i>BEZEICHNUNG</i>    | <i>DESCRIPCIÓN</i>      |
|-------------|-------------|-------------|-------------|--------------------------|-------------------------|--------------------|-----------------------|-------------------------|
| 1           | 900266      |             | 1           | BASAMENTO                | SOCLE                   | BASE               | UNTERSTRUKTUR         | BASE                    |
| 2           | 901706      |             | 1           | VASCA                    | CUVE                    | TANK               | TANK                  | PILETA                  |
| 3           | 904345      |             | 1           | PORTA                    | PORTE                   | DOOR               | TÜR                   | PUERTA                  |
| 4           | 906121      |             | 1           | SCROCCHETTO              | CLIQUET FERMETURE PORTE | DOOR CATCH         | SCHNAPPVERSCHLUSS     | SCROCCHETO              |
| 5           | 902023      |             | 1           | DADO SCROCCHETTO         | ECROU DE CLIQUET        | NUT CATCH          | KLIKENMUTTER          | TUERCA                  |
| 6           | 903651      |             | 1           | CUSTODIA CON MAGNETE     | PROTECTION MAGNETO      | COVER MAGNET       | MAGNETSCHUTZ          | ESTUCHE CON IMÁN        |
| 7           | 903934      |             | 1           | MANIGLIA                 | MANILLE                 | HANDLE             | KLINKE                | MANILLA                 |
| 8           | 901661      |             | 1           | PROFILO MANIGLIA SILANOS | LISTEAU MANILLE SILANOS | HANDLETRIM SILANOS | KLINKE PROFIL SILANOS | PERFIL MANILLA SILANOS  |
| 9           | 901249      |             | 1           | CERNIERA SX              | CHARNIÈRE GAUCHE        | LEFT HINGLE        | LNK SCHARNIER         | BISAGRA IZQUIERDA       |
| 10          | 901248      |             | 1           | CERNIERA DX              | CHARNIÈRE DROITE        | RIGHT HINGLE       | RCT SCHARNIER         | BISAGRA DERECHA         |
| 11          | 908041      |             | 2           | MOLLA                    | RESSORT                 | SPRING             | SCHEIBE               | RESORTE                 |
| 12          | 904990      |             | 4           | PIEDINO                  | PIED                    | RUBBER LEG         | EINSTELLBARERSOCKE    | PIÉ                     |
| 13          | 904590      |             | 1           | PANNELLO LATERALE DX     | PANNEAU DROITE          | RIGHT PANEL        | RECHTE VERKLEIDUNG    | PANEL DERECHO LATERAL   |
| 14          | 904591      |             | 1           | PANNELLO LATERALE SX     | PANNEAU GAUCHE          | LEFT PANEL         | LINKE VERKLEIDUNG     | PANEL IZQUIERDO LATERAL |
| 15          | 904596      |             | 1           | PANNELLO POSTERIORE      | PANNEAU POSTERIEUR      | BACK PANEL         | HINTERE VERKLEIDUNG   | PANEL POSTERIOR         |
| 16          | 904587      |             | 1           | PANNELLO SUPERIORE       | PANNEAU SUPERIEUR       | UPPER SIDE PANEL   | OBERE VERKLEIDUNG     | PANEL SUPERIOR          |
| 17          | 904594      |             | 1           | PANNELLO INFERIORE       | PANNEAU INFERIEUR       | LOWER PANEL        | UNTERE VERKLEIDUNG    | PANEL INFERIOR          |
| 18          | 908146      |             | 2           | GUARNIZIONE              | JOINT                   | GASKET             | DICHTUNG              | GUARNICIÓN              |



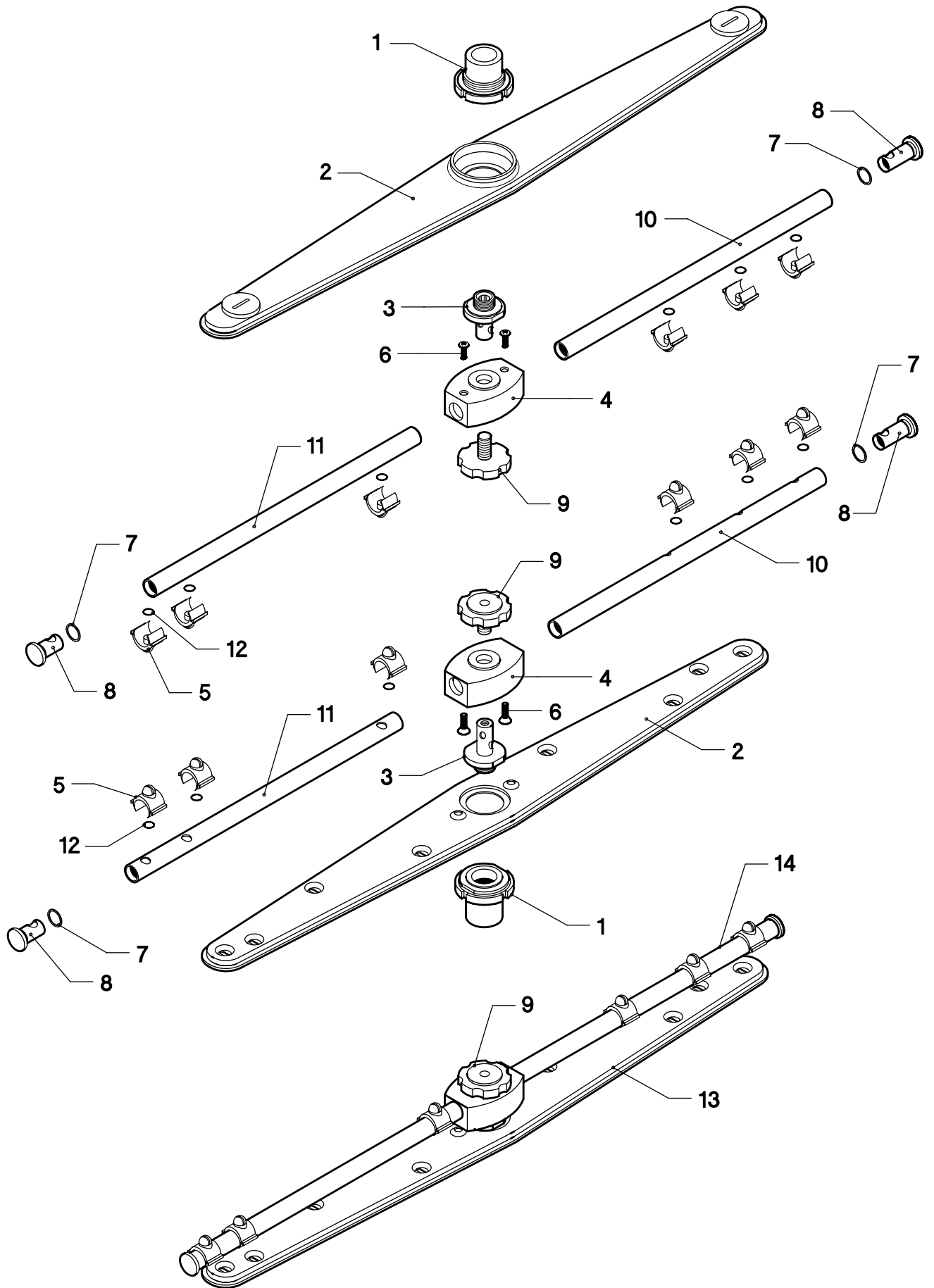
| Pos. | COD.   | COD. | Q.tà | DESCRIZIONE                  | DENOMINATION              | DESCRIPTION            | BEZEICHNUNG         | DESCRIPCIÓN               |
|------|--------|------|------|------------------------------|---------------------------|------------------------|---------------------|---------------------------|
| 1    | 900486 |      | 1    | BOILER 4,5KW                 | CHAUFFE EAU               | BOILER                 | HEISSWASSERSPEICHER | BOILER                    |
| 2    | 905560 |      | 1    | RESISTENZA 4,5KW             | RESISTANCE                | HEATINGELEMENT         | HEIZKÖRPER          | RESISTENCIA               |
| 3    | 907981 |      | 1    | O-RING                       | O-RING                    | O-RING                 | O-RING              | O-RING                    |
| 4    | 907125 |      | 1    | TERMOSTATO DI SICUREZZA      | THERMOSTAT                | THERMOSTAT             | THERMOSTAT          | TERMÓSTATO DE SEGURIDAD   |
| 5    | 903982 |      | 1    | MANOPOLA                     | BOUTON                    | KNOB                   | KNOPF               | EMPUÑADURA                |
| 6    | TR0440 |      | 1    | TERMOSTATO REG. 0° - 90°     | THERMOSTAT                | THERMOSTAT             | THERMOSTAT          | TERMÓSTATO                |
| 7    | 906367 |      | 1    | SUPPORTO TERMOSTATI          | SUPPORT THERMOSTAT        | THERMOSTAT SUPPORT     | THERMOSTATHALTER    | SOPORTE TERMÓSTATO        |
| 8    | 907124 |      | 1    | TERMOSTATO VASCA             | THERMOSTAT                | THERMOSTAT             | THERMOSTAT          | TERMÓSTATO PILETA         |
| 9    | 904991 |      | 1    | GUARNIZIONE                  | JOINT                     | GASKET                 | DICHTUNG            | GUARNICIÓN                |
| 10   | 902104 |      | 1    | GHIERA 3/8" GAS              | VIROLE                    | LOCK-NUT               | NUT-MUTTER          | DADO DE AJUSTE            |
| 11   | 902018 |      | 1    | DOSATORE                     | DOSEUR                    | RINSE AID DISPENSER    | DOSIERSATZ          | DOSADOR                   |
| 12   | 907278 |      | 1    | TUBO 4X6 CRYSTAL TRASPARENTE | TUYAU CRISTAL             | CRYSTAL PIPE           | KRISTALLROHR        | TUBO CRISTAL              |
| 13   | 907279 |      | 1    | TUBO SILICONE 4 x 7          | TUYAU DE SILICONE         | SILICONE PIPE          | SILIKONROHR         | TUBO DE SILICONA          |
| 14   | 904723 |      | 2    | PASSACAVO                    | CHAUMARD                  | FAIRLEAD               | KABELDURCHGANG      | AISLADOR                  |
| 15   | TR2433 |      | 1    | VALVOLA ANTIRIFLUSSO         | VALVE                     | VALVE                  | VENTIL              | VALVULA                   |
| 16   | 902440 |      | 5    | FASCETTA 13 ÷ 20             | COLLIER                   | CLAMP                  | SHELLE              | ABRAZADERA                |
| 17   | 907295 |      | 4    | TUBO GOMMA 12 x 19,5         | TUYAU EN CAOUTCHOUC       | RUBBER HOSE            | GUMMISCHLAUCH       | TUBO GOMA                 |
| 18   | 901730 |      | 1    | CONDENSATORE 10µF            | CONDENSEUR                | CONDENSER              | KONDENSATEUR        | CONDENSADOR               |
| 19   | 904721 |      | 1    | PASSACAVO                    | CHAUMARD                  | FAIRLEAD               | KABELDURCHGANG      | AISLADOR                  |
| 20   | 904150 |      | 1    | MORSETTIERA                  | BORNES                    | TERMINAL BOARD         | KLEMMLEISTE         | TABLEROS DE BORNES        |
| 21   | 903446 |      | 1    | SUPPORTO ELETTROVALVOLA      | PALIER SOUPAPE ELECTRIQUE | BEARING ELECTRIC VALVE | TRÄGE ELEKTROVENTIL | SOPORTO VALVULA ELECTRICA |
| 22   | 907344 |      | 1    | TUBO DI CARICO               | TUYAU D'ENTREE DE L'EAU   | INLETPipe              | WASSERZUFÜHRROHR    | TUBO                      |
| 23   | 902390 |      | 1    | ELETTROVALVOLA 1 VIA         | SOUPAPE ELECTRIQUE        | ELECTRICVALVE          | ELEKTROVENTIL       | VALVULA ELECTRICA         |
| 24   | 905408 |      | 1    | RACCORDO A "T"               | RACCORD                   | PIPEFITTING            | ANSCHLUSSE          | EMPALME                   |
| 25   | 904430 |      | 1    | O-RING                       | O-RING                    | O-RING                 | O-RING              | O-RING                    |
| 26   | 907820 |      | 1    | VITE T.E. M8x12              | VIS                       | SCREW                  | SCHRAUBE            | TORNILLO                  |



| Pos. | COD.   | COD. | Q.tà | DESCRIZIONE                | DENOMINATION                | DESCRIPTION                 | BEZEICHNUNG               | DESCRIPCIÓN              |
|------|--------|------|------|----------------------------|-----------------------------|-----------------------------|---------------------------|--------------------------|
| 1    | 905858 |      | 1    | RESISTENZA 2000W           | RESISTANCE                  | HEATINGELEMENT              | HEIZKÖRPER                | RESISTENCIA              |
| 2    | 904957 |      | 1    | PROTEZIONE RESISTENZA      | PROTECTION RESISTANCE       | HEATINGELEMENT PROTECTION   | HEIZKÖRPER SCHUTZ         | PROTECCION RESISTENCIA   |
| 3    | 902304 |      | 1    | POMPA 0,60 HP              | POMPE                       | PUMP                        | PUMPE                     | BOMBA                    |
| 4    | 908136 |      | 1    | MANICOTTO ASPIRAZIONE      | MANCHON D'ASPIRATION        | INTAKE PIPE FITTING         | ANSAUGANSHLUSSE           | PALANCA DE ASPIRACIÓN    |
| 5    | 902441 |      | 7    | FASCETTA 38 ÷ 50           | COLLIER                     | CLAMP                       | SHELLE                    | ABRAZADERA               |
| 6    | 906356 |      | 1    | SUPPORTO POMPA             | SUPPORT POMPE               | PUMP SUPPORT                | PUMPE TERUNG              | SOPORTE BOMBA            |
| 7    | 905255 |      | 1    | POZZETTO                   | PUISARD                     | SUMP                        | SCHACHT                   | POZUELO                  |
| 8    | 905256 |      | 1    | FLANGIA                    | VIS                         | SCREW                       | SCHRAUBE                  | SOPORTE                  |
| 9    | 905257 |      | 1    | GUARNIZIONE                | JOINT                       | GASKET                      | DICHTUNG                  | GUARNICIÓN               |
| 10   | 902460 |      | 1    | FASCETTA 26 ÷ 38           | COLLIER                     | CLAMP                       | SHELLE                    | ABRAZADERA               |
| 11   | 908137 |      | 1    | MANICOTTO MANDATA          | TUYAU DE DÉCHARGÉ           | OUTLETPipe                  | ABLAUFSCHLAUCH            | TUBO DESAGOTE            |
| 12   | 907254 |      | 1    | TRAPPOLA ARIA              | RESERVOIR AIR               | AIR TRAP                    | LUFTFALLE                 | TRAMPA DEL AIRE          |
| 13   | 903261 |      | 1    | GUARNIZIONE                | JOINT                       | GASKET                      | DICHTUNG                  | GUARNICIÓN               |
| 14   | 907926 |      | 1    | PIASTRINA TRAPPOLA         | PLAQUE PIEGE                | TRAP PLATE                  | PLATTE MIT FANGSTELLE     | CHAPA TRAMPA             |
| 15   | 905456 |      | 1    | MOZZO LAVAGGIO/RISCIACQUO  | MOYEU DE LAVAGE/RINÇAGE     | WASHING/RINSE HUB           | SPÜLUNG/NASCHSPÜLUNG NABE | BUJE DE LAVADO/ENJUAGUE  |
| 16   | 908141 |      | 1    | GUARNIZIONE                | JOINT                       | GASKET                      | DICHTUNG                  | GUARNICIÓN               |
| 17   | 902183 |      | 1    | DISTANZIALE                | ENTRETOISE                  | SPACER                      | ENTFERNUNGSSTÜCK          | DISTANCIADOR             |
| 18   | 905388 |      | 1    | RACCORDO INFER. LAVAGGIO   | RACCORD DE LAVAGE INFER.    | WASHING INFER. PIPE FITTING | UNTERANSCHLUSS WASCHEN    | EMPALME INFER. DE LAVADO |
| 19   | 908149 |      | 1    | PERNO RISCIACQUO INFERIORE | TOURILLON DE RINÇAGE INFER. | INFERIOR RINSE PIN          | UNTERSPELLSTIFT           | PERNO ENJUAGUE INFERIOR  |
| 20   | 903756 |      | 2    | TUBO GIUNZIONE             | TUYAU                       | PIPE                        | SCHLAUCH                  | TUBO                     |
| 21   | 903743 |      | 1    | TUBO MANDATA SUPERIORE     | TUYAU DE REFOUL. SUPERIEUR  | UPPER OUTLET PIPE           | OBERAUSLASSROHR           | TUBO DE MANDO SUPERIOR   |
| 22   | 904471 |      | 1    | FILTRO                     | FILTRE                      | FILTER                      | FILTER                    | FILTRO                   |
| 23   | 904799 |      | 1    | PERNO RISCIACQUO           | TOURILLON DE RINÇAGE        | RINSE PIN                   | SPÜLLSTIFT                | PERNO ENJUAGUE           |
| 24   | 907869 |      | 4    | VITE M5x12                 | VIS                         | SCREW                       | SCHRAUBE                  | TORNILLO                 |
| 25   | 908124 |      | 1    | FLANGIA                    | FLASQUE                     | FLANGE                      | FLANSCH                   | SOPORTE                  |
| 26   | 908141 |      | 1    | GUARNIZIONE                | JOINT                       | GASKET                      | DICHTUNG                  | GUARNICIÓN               |
| 27   | 905449 |      | 1    | MOZZO SUPERIORE SX         | MOYEU SUPERIEUR SX          | UPPER HUB SX                | OBERNABE SX               | BUJE SUPERIOR SX         |
| 28   | 902440 |      | 4    | FASCETTA 13 ÷ 20           | COLLIER                     | CLAMP                       | SHELLE                    | ABRAZADERA               |
| 29   | 905382 |      | 1    | RACCORDO A "T"             | RACCORD                     | PIPEFITTING                 | ANSCHLUSSE                | EMPALME                  |
| 30   | 907295 |      | 2    | TUBO GOMMA 12 x 19,5       | TUYAU EN CAOUTCHOUC         | RUBBER HOSE                 | GUMMISCHLAUCH             | TUBO GOMA                |
| 31   | 904469 |      | 1    | FILTRO                     | FILTRE                      | FILTER                      | FILTER                    | FILTRO                   |
| 32   | 907303 |      | 1    | TROPPO PIENO               | NIVEAU                      | OVER FLOW                   | VEBERLAUF                 | DAMISIADO LLENO          |
| 33   | 904404 |      | 1    | O-RING                     | O-RING                      | O-RING                      | O-RING                    | O-RING                   |
| 34   | 907295 |      | 1    | TUBO GOMMA 12 x 19,5       | TUYAU EN CAOUTCHOUC         | RUBBER HOSE                 | GUMMISCHLAUCH             | TUBO GOMA                |

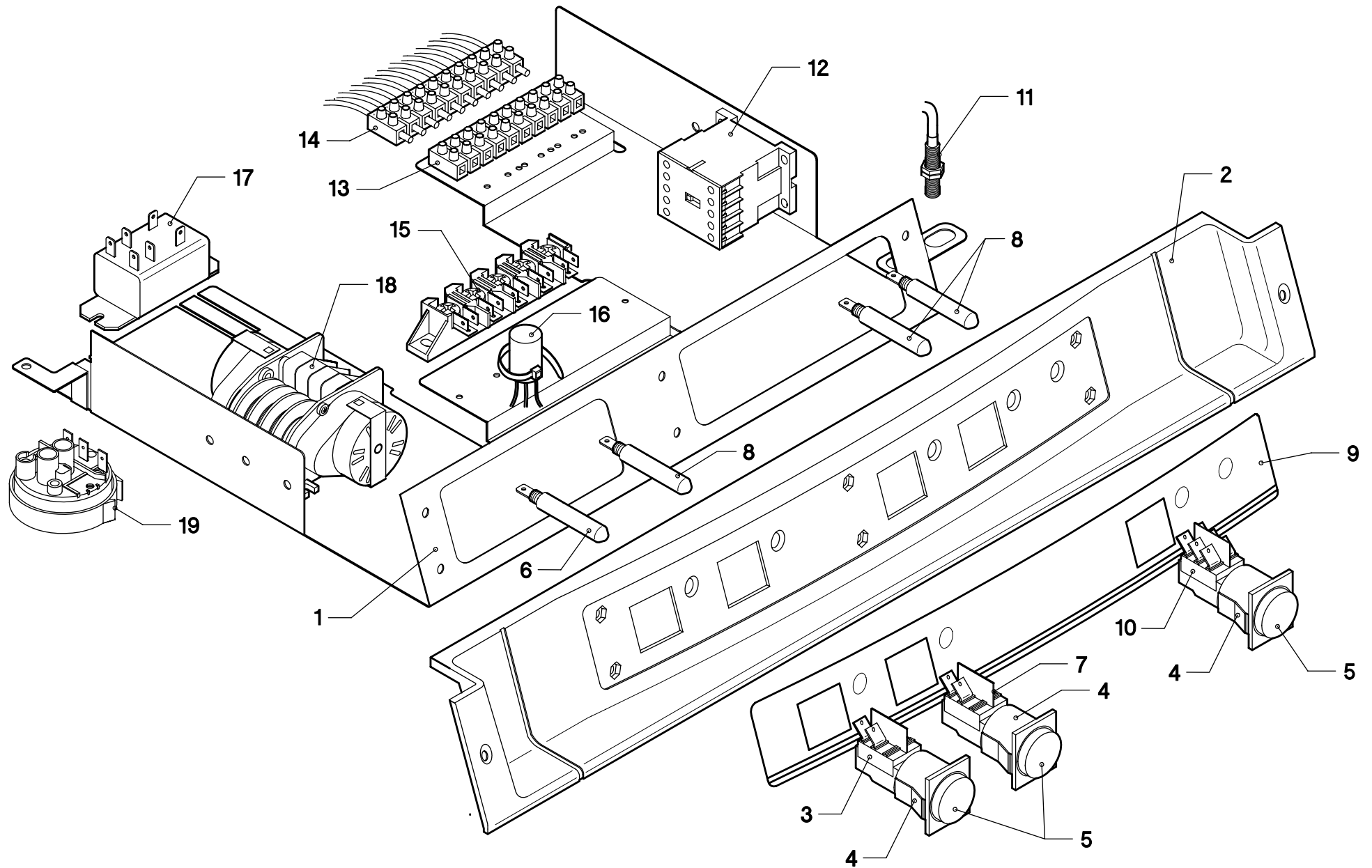
# TAV. 4

ED. 09/2004





| <i>Pos.</i> | <i>COD.</i> | <i>COD.</i> | <i>Q.tà</i> | <i>DESCRIZIONE</i>      | <i>DENOMINATION</i>     | <i>DESCRIPTION</i> | <i>BEZEICHNUNG</i>   | <i>DESCRIPCIÓN</i>        |
|-------------|-------------|-------------|-------------|-------------------------|-------------------------|--------------------|----------------------|---------------------------|
| 1           | 904277      |             | 2           | MOZZO + GHIERA          | MOYEU + VIROLE          | HUB + RING - NUT   | NABE + KLEMMUTTER    | BUJE + ABRAZADERA         |
| 2           | 902908      |             | 2           | GIRANTE LAVAGGIO        | BRAS DE LAVAGE          | WASH ARM           | SPÜLLARM             | RODETE LAVADO             |
| 3           | 904760      |             | 2           | PERNO GIRANTE RISC.     | TOURILLON DE RINÇAGE    | RINSE PIN          | SPÜLLSTIFT           | PERNO RODETE ENJUAGUE     |
| 4           | 904292      |             | 2           | MOZZO GIRANTE RISC.     | MOYEU                   | HUB                | NABE                 | BUJE RODETE ENJUAGUE      |
| 5           | 902816      |             | 12          | GETTO RISCIAQUO         | JET DE RINÇAGE          | RINSING JET        | SPÜLLDUSE            | CHORRO ENJUAGUE           |
| 6           | 907651      |             | 4           | VITE TPS M 4x8          | VIS                     | SCREW              | SCHRAUBE             | TORNILLO                  |
| 7           | 904321      |             | 4           | O - RING                | O - RING                | O - RING           | O - RING             | O-RING                    |
| 8           | 906450      |             | 4           | TAPPO PER BRACCIO RISC. | BOUCHON BRAS DE RINÇAGE | PLUG FOR RINSE ARM | VERSCHLUSS SPÜLLAUF. | TAPÓN PARA BRAZO ENJUAGUE |
| 9           | 902880      |             | 2           | GHIERA BLOCCAGGIO       | FRETTE DE BLOCAGE       | RING -NUT          | KLEMMUTTER           | ABRAZADERA BLOQUEO        |
| 10          | 954806      |             | 2           | BRACCIO RISCIAQUO DX    | BRAS DE RINÇAGE DROITE  | RIGHT RINSE ARM    | RECHTE SPÜLLAUFRAD   | BRAZO ENJUAGUE DERECHO    |
| 11          | 954807      |             | 2           | BRACCIO RISCIAQUO SX    | BRAS DE RINÇAGE GAUCHE  | LEFT RINSE ARM     | LINKE SPÜLLAUFRAD    | BRAZO ENJUAGUE IZQUIERDO  |
| 12          | 904388      |             | 12          | O - RING                | O - RING                | O - RING           | O - RING             | O-RING                    |
| 13          | 903106      |             | 2           | GIRANTE LAVAGGIO COMP.  | BRAS DE LAVAGE          | WASH ARM           | SPÜLLARM             | RODETE LAVADO COMPL.      |
| 14          | 903017      |             | 2           | GIRANTE RISCIAQUO COMP. | BRAS DE RINÇAGE.        | SWILLARM           | SPÜLLSTIFT           | RODETE ENJUAGUE COMP.     |



| <i>Pos.</i> | <i>COD.</i> | <i>COD.</i> | <i>Q.tà</i> | <i>DESCRIZIONE</i>          | <i>DENOMINATION</i>    | <i>DESCRIPTION</i>  | <i>BEZEICHNUNG</i>     | <i>DESCRIPCIÓN</i>          |
|-------------|-------------|-------------|-------------|-----------------------------|------------------------|---------------------|------------------------|-----------------------------|
| 1           | 955318      |             | 1           | PIASTRA PORTACOMPONENTI     | PLAQUE COMPOSANTS      | COMPONENT PLATE     | PLATTE ZUSAMMENSETZEND | PLACA COMPONENTES           |
| 2           | 903985      |             | 1           | TARGA                       | PLAQUETTE              | PLATE               | SCHILD                 | PLACA                       |
| 3           | 905318      |             | 1           | INTERRUTTORE LINEA          | INTERRUPTEUR DE LIGNE  | LINE SWITCH         | DRUCKKNOPFVORB.        | INTERRUPTOR                 |
| 4           | 905307      |             | 3           | SUPPORTO TASTO              | SUPPORT BOUTON         | SUPPORT KEY         | TASTEHALTER            | SOPORTE TECLA               |
| 5           | 905305      |             | 3           | TASTO TONDO GIALLO          | BOUTON JAUNE           | YELLOW PUSH-BUTTON  | GELBE DRUCKTASTE       | BOTÓN AMARILLO              |
| 6           | 903633      |             | 1           | LAMPADA SPIA VERDE          | LAMPE                  | LAMP                | KONTROLLAMPE           | LÁMPARA                     |
| 7           | 905312      |             | 1           | PULSANTE 2 FASTON           | BOUTON                 | PUSH-BUTTON         | DRUCKTASTE             | BOTÓN                       |
| 8           | 903645      |             | 3           | LAMPADA SPIA ARANCIO        | LAMPE                  | LAMP                | KONTROLLAMPE           | LÁMPARA                     |
| 9           | 907059      |             | 1           | TARGA                       | PLAQUETTE              | PLATE               | SCHILD                 | PLACA                       |
| 10          | 905314      |             | 1           | INTERRUT. SELETT. TEMPI     | INTERRUPT.SELECT.TEMPS | TIME SELECTORSWITCH | WAHLSCHALTER           | INTER. SELECCIONADOR TIEMPO |
| 11          | TR0309      |             | 1           | REED MAGNETICO              | REED                   | REED                | REED                   | REED MAGNÉTICO              |
| 12          | 907095      |             | 1           | TELERUTTORE                 | TELERUPTEUR            | CONTACTOR           | SCHUTZ                 | TELERRUPTOR                 |
| 13          | 904170      |             | 1           | MORSETTIERE 10 POLI         | BORNES                 | TERMINALBOARD       | KLEMMLEISTE            | TABLEROS DE BORNES          |
| 14          | 904200      |             | 1           | MORSETTIERE 10 POLI         | BORNES                 | TERMINALBOARD       | KLEMMLEISTE            | TABLEROS DE BORNES          |
| 15          | 904150      |             | 1           | MORSETTIERE                 | BORNES                 | TERMINALBOARD       | KLEMMLEISTE            | TABLEROS DE BORNES          |
| 16          | 902107      |             | 1           | FILTRI ANTIDISTURBO TRIFASE | FILTRE ANTIDERANGEMENT | NOISE FILTER        | ENTSTORFILTER          | FILTROS DE RUIDOSIDAD       |
| 17          | 905486      |             | 1           | RELE'                       | RELAIS                 | RELAY               | RELAIS                 | RELE'                       |
| 18          | 907182      |             | 1           | TYMER CICLO                 | TYMER CYCLE            | CYCLE TYMER         | ZYCLUSZEITUHR          | TYMER CICLO                 |
| 19          | 905275      |             | 1           | PRESSOSTATO 35/90           | PRESSOSTAT             | PRESSURE SWITCH     | DRUCHWAECHTE           | PRESOSTATO                  |