

( I ) = INOX - STAINLESS/STEEL  
( B ) = BIANCO - WHITE

● GN 2/1 - GN 2/1

○ GN 2/1 - RIDOTTO - GN 2/1 REDUCED

**ARMADIO GN 2/1 - GN 2/1 RIDOTTO**  
REFRIGERATING CABINET GN 2/1 - GN 2/1 REDUCED

RIF.  
REF.

Da matricola n<sub>i</sub>  
From serial n<sub>i</sub>

a ARMADIO CON PORTA INTERNA - FULL DOOR REFRIGERATING CABINET

b ARMADIO CON PORTA MEZZA - HALF DOOR REFRIGERATING CABINET

c ARMADIO CON SERVIZIO ITTICO - CABINET FOR FISH-SHOPS

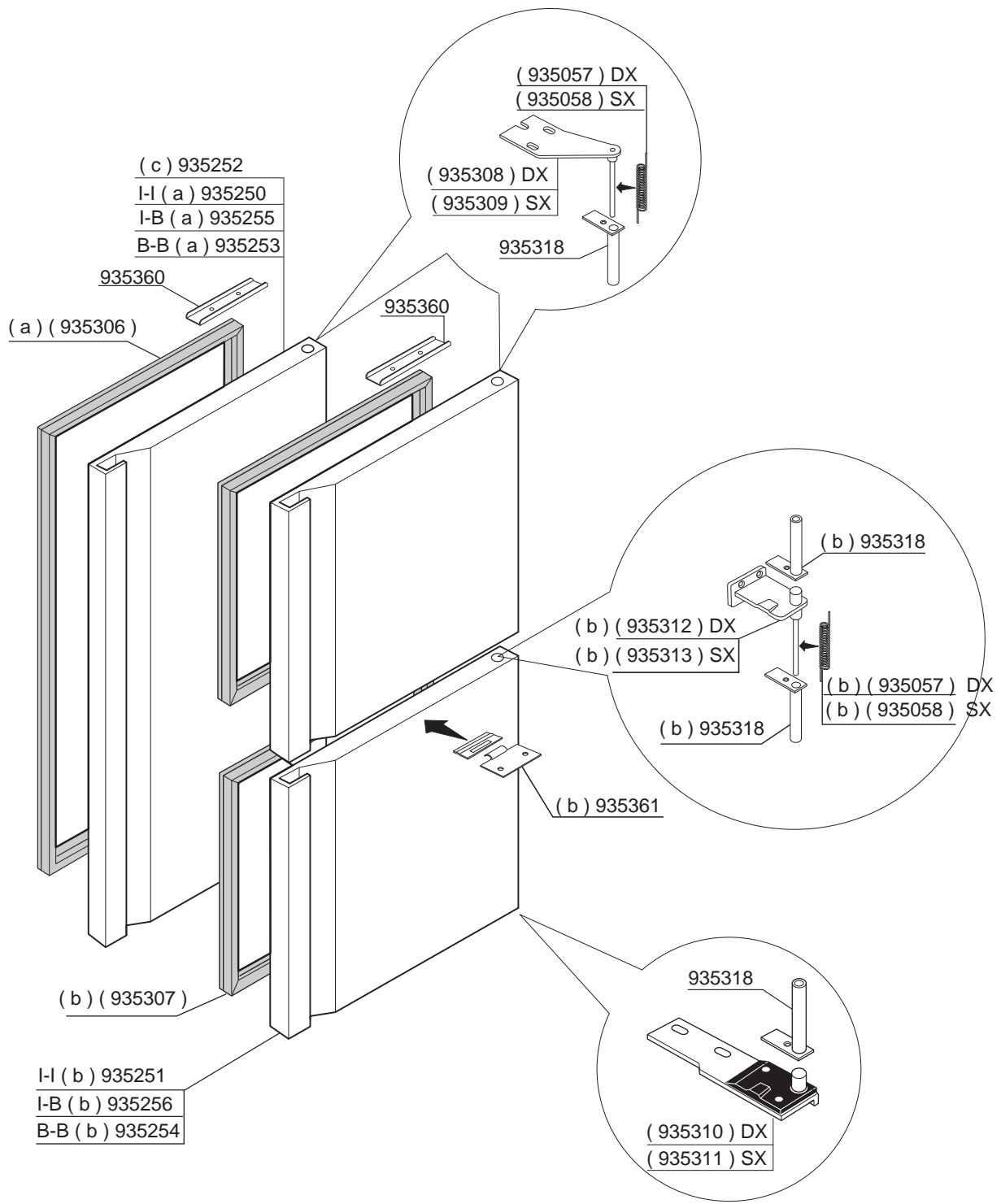
930302/113

**friulinox** 33082 AZZANO DECIMO  
PORDENONE - ITALY

RIPRODUZIONE, ANCHE PARZIALE, VIETATA

**ESP1001-(01)**





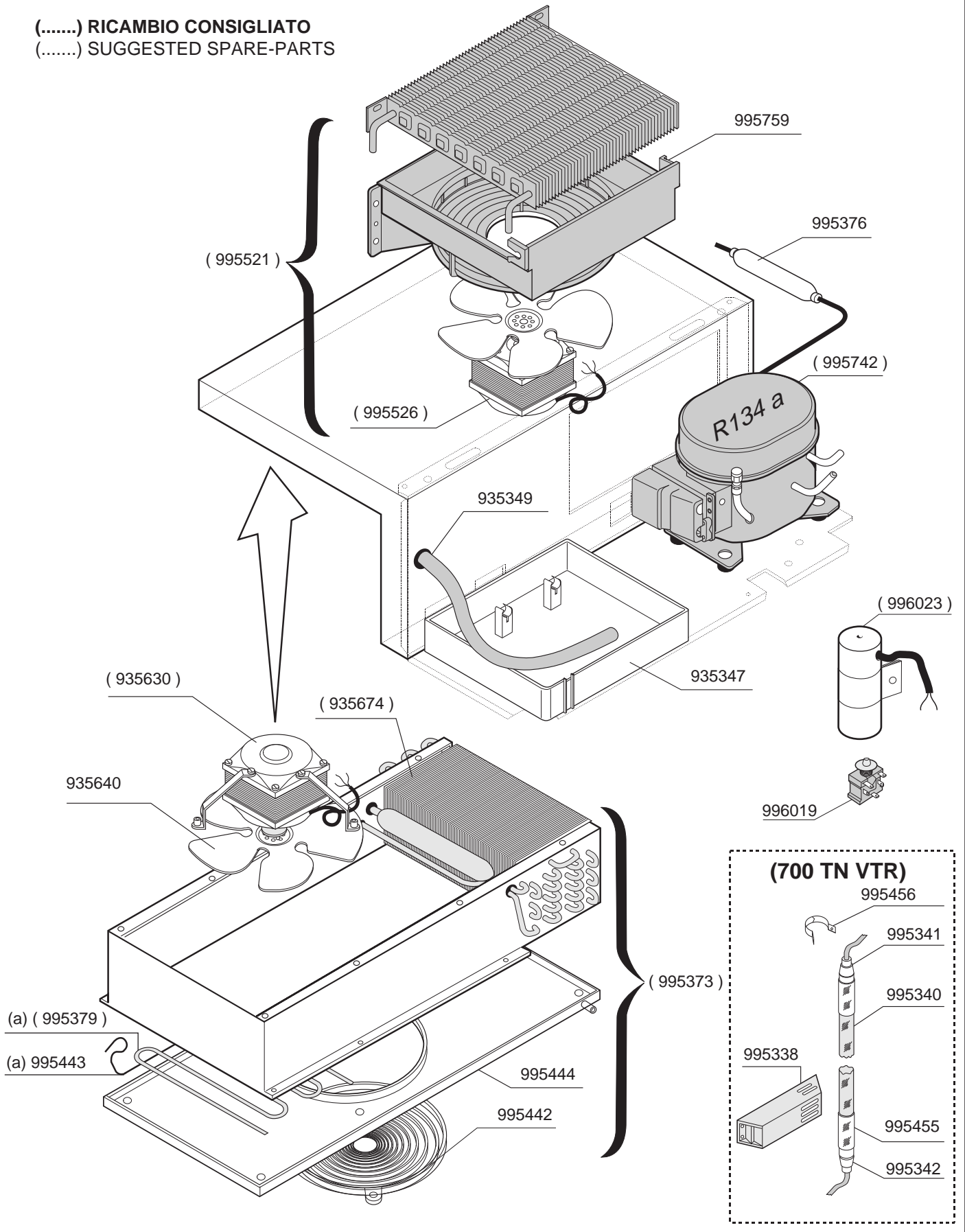
(I) = INOX - STAINLESS/STEEL  
 (B) = BIANCO - WHITE

(.....) **RICAMBIO CONSIGLIATO**  
 (.....) **SUGGESTED SPARE-PARTS**

<b>PORTE CIECHE</b> SOLID DOORS		RIF. REF.	Da matricola n° From serial n°
a	PORTA INTERA FULL DOOR		930302/113
b	PORTA MEZZA HALF DOOR		
c	PORTA INTERA PASTICCERIA PROFONDITA' 700 - FULL DOOR CONFECTIONERY DEPTH 700		
<b>friulinox</b> 33083 TAIEDO DI CHIONS PORDENONE - ITALY		RIPRODUZIONE, ANCHE PARZIALE, VIETATA	
			<b>ESP1001-(11)</b>



(.....) RICAMBIO CONSIGLIATO  
 (.....) SUGGESTED SPARE-PARTS



IMPIANTO FRIGO "700 TN"/ "700 TN VTR" "700 TN CON CASSETTI"/"TN 750"  
 REFRIGERATED UNIT "700 NT" / "700 NT VTR" / "700 NT WITH DRAWERS"/"NT 750"

RIF. REF. Da matricola n°  
 From serial n°

a ARMADIO REFRIGERATO (-2/+8°C) REFRIGERATED CABINET (-2/+8°C)

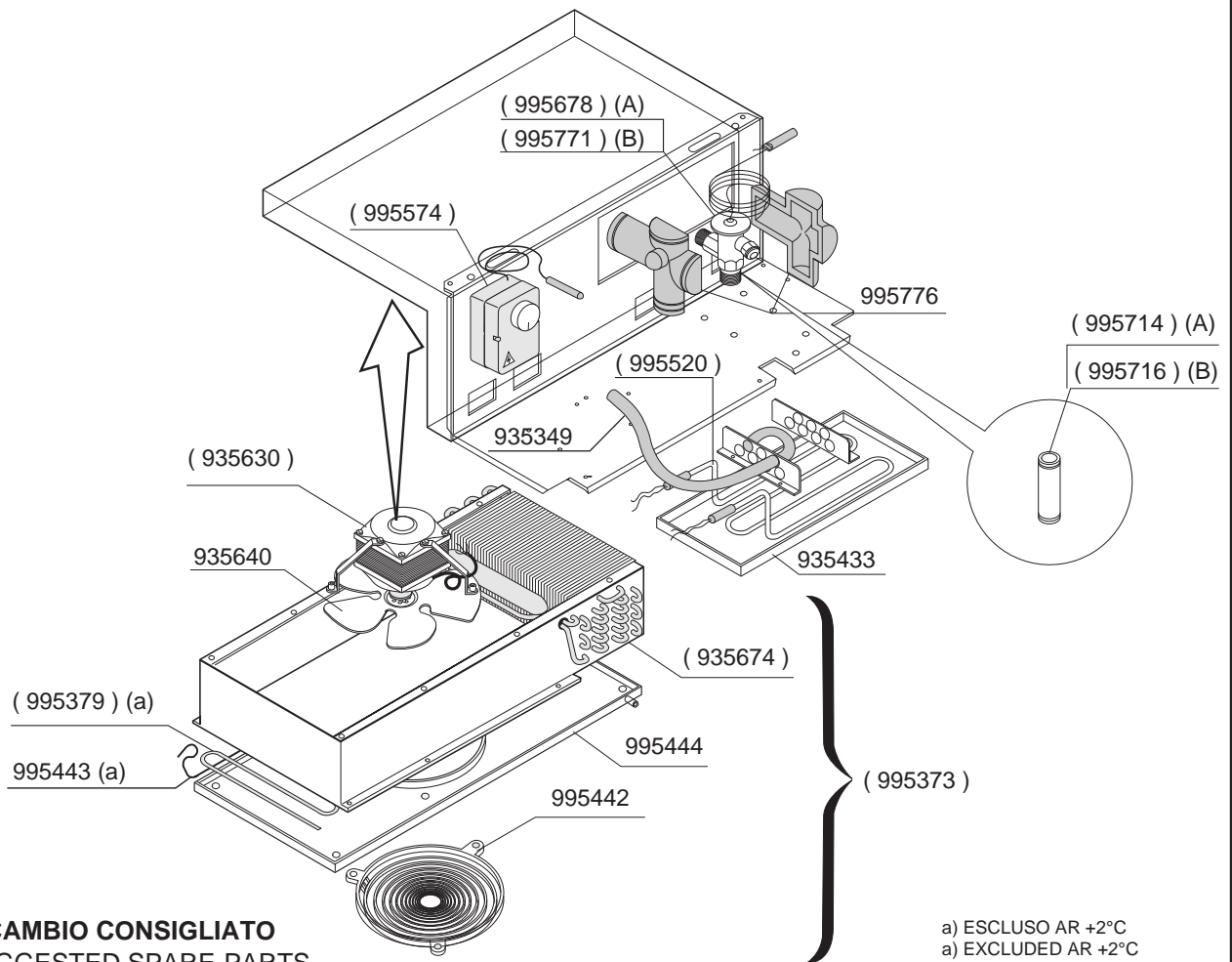
R 134a 960708/109







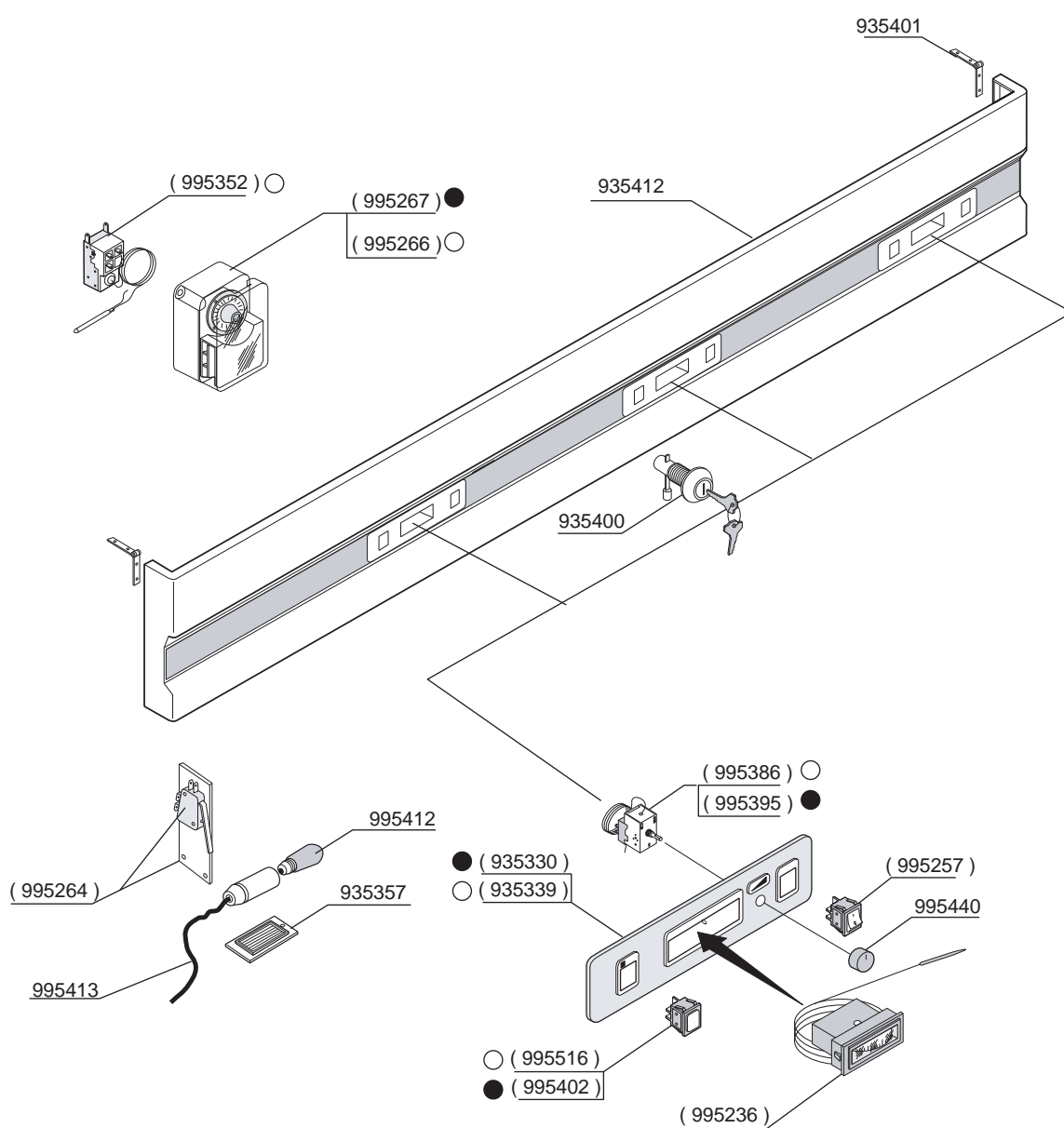




ARMADI 1 TEMPERATURA ONE TEMPERAT.CABINETS			ARMADI 2 TEMPERATURE TWO TEMPERAT.CABINETS						ARMADI 3 TEMPERATURE THREE TEMP.CABINETS					
AR6 +2	A	A	ARR122	①	A	A	ARP141	①	A	A	ARRP	①	A	A
AR6 -2	A	A		②	A	A		②	A	A		②	/	/
AR6 PA	A	A	ARP122	①	A	A	ARF141	①	A	A		③	/	/
AR6 +2 VTR	A	A		②	A	A		②	A	B	ARRF	①	A	A
AR6 -2 VTR	A	A	ARF122	①	A	A	AFP141	①	B	B		②	/	/
AP6 -4	A	A		②	B	A		②	A	A		③	/	/
AF6 -20	A	A	AFP122	①	B	A	ARR142 VTR	①	A	A	ARRR21	①	A	A
AF6 PA	A	A		②	A	A		②	A	A		②	A	A
AR7 +2	A	A	ARR142	①	A	A	ARF142 VTR	①	A	A		③	A	A
AR7 -2	A	A		②	A	A		②	/	/		①	A	A
AR7 +2CAS	A	A	ARP142	①	A	A	ARR212	①	/	/	ARRP21	②	A	A
AR7 -2 CAS	A	A		②	A	A		②	A	A		③	A	A
AR7 +2 VTR	A	A	ARF142	①	A	A	ARP212	①	/	/	ARRF21	①	A	A
AR7 -2 VTR	A	A		②	B	B		②	A	A		②	A	A
AR7 PIZ	A	A	AFP142	①	B	B	ARF212	①	/	/		③	B	B
AR7 S/V	A	A		②	A	A		②	B	B		①	A	A
AR7 PA	A	A	ARP121	①	A	A	ARP211	①	/	/	ARFP21	②	B	B
AP7 -4	A	A		②	A	A		②	A	A		③	A	A
AP7 -4 CAS	A	A	ARF121	①	A	A	ARF211	①	/	/	ARRF21 VTR	①	A	A
AE7	A	A		②	A	A		②	B	B		②	A	A
AF7 -25	B	B	AFP121	①	B	A	ARR212 VTR	①	/	/		③	/	/
AF7 PA	B	B		②	A	A		②	A	A				
			ARR141	①	A	A	ARF VTR	①	/	/				
				②	A	A		②	/	/				

<b>UNITA' EVAPORATRICE ARMADI PREDISPOSTI</b> EVAPORATING UNIT OF REMOTE CONTROLLED REFR.CABINETS		RIF. REF.	Da matricola n° From serial n°
		R134a R404A	951016/111

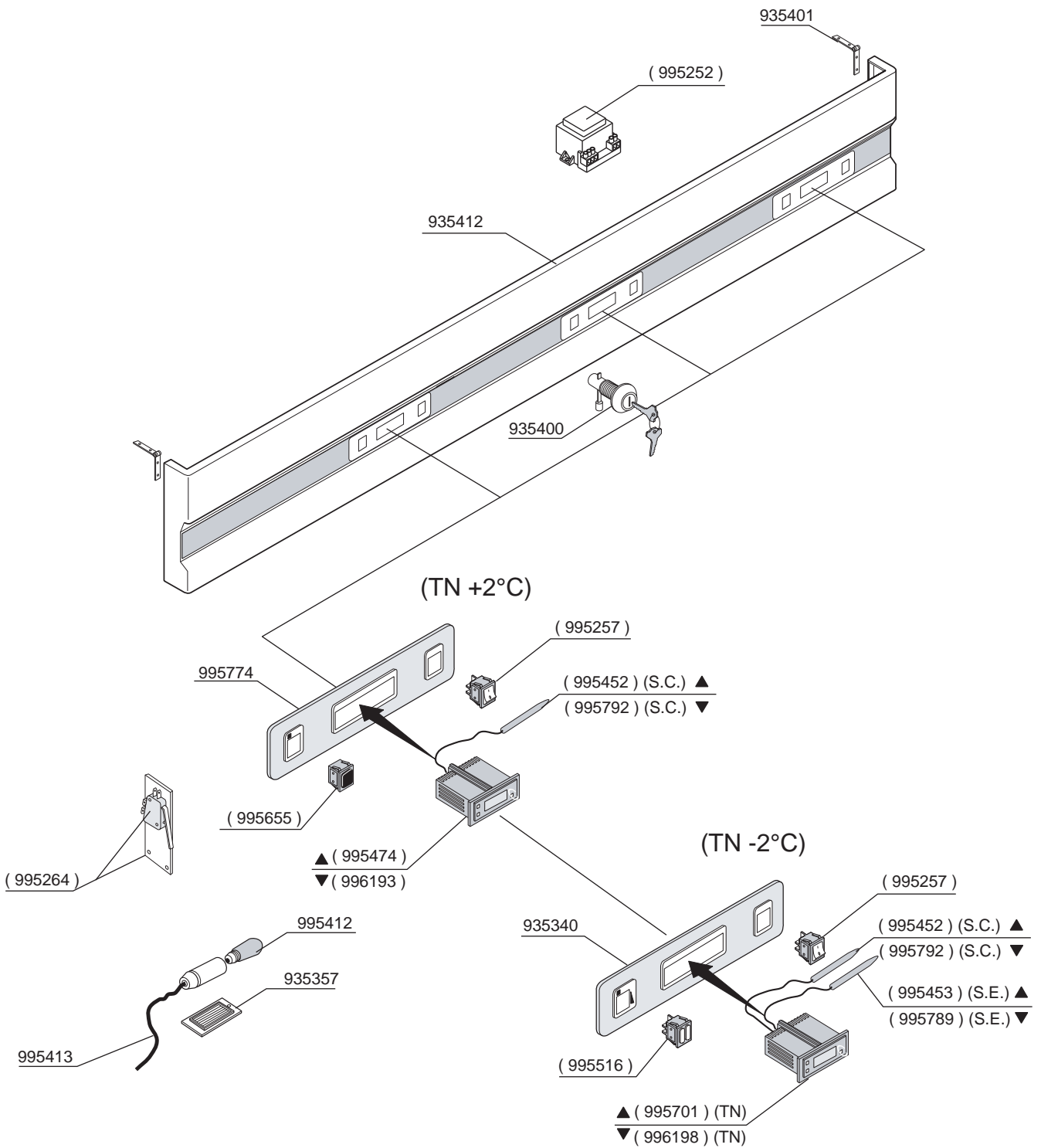




(.....) RICAMBIO CONSIGLIATO  
 (.....) SUGGESTED SPARE-PARTS

<b>PANNELLO COMANDO ARMADIO "TN+TN+TN 2100" MECCANICO</b> CONTROL PANEL FOR MECH. "NT+NT+NT 2100" REF. CABINET		RIF. REF.	Da matricola n° From serial n°
●	ARMADIO REFRIGERATO PORTE CIECHE (+2/+8 °C) REFRIGERATED CABINET BLIND DOORS (+2/+8 °C)		930302/113
○	ARMADIO REFRIGERATO PORTE CIECHE (-2/+8 °C) REFRIGERATED CABINET BLIND DOORS (-2/+8 °C)		





- ▲ S.E. - Sonda evaporatore (ROSSA) - EVAPORATOR PROBE (RED)
- ▼ S.C. - Sonda cella (GRIGIA) - CELL PROBE (GREY)
- ▲ S.E. - Sonda evaporatore (BLACK - DEF) - EVAPORATOR PROBE (BLACK-DEF)
- ▼ S.C. - Sonda cella (NERA - THERM) - CELL PROBE (BLACK-THERM)

**(.....) RICAMBIO CONSIGLIATO**  
**(.....) SUGGESTED SPARE-PARTS**

**PANNELLO COMANDO ARMADII"TN+TN+TN 2100" ELETTRONICO**  
**CONTROL PANEL FOR "NT+NT+NT 2100" ELECTRONIC REFR.CUPBOARD**

RIF. REF. Da matricola n°  
 From serial n°

EWPC 950904/111  
 ▲ 2003053000099  
 ▼ 2003060300001

