

( I ) = INOX - STAINLESS/STEEL  
 ( B ) = BIANCO - WHITE

● GN 2/1 - GN 2/1  
 ○ GN 2/1 - RIDOTTO - GN 2/1 REDUCED

\* 995011-995012 -> F20070927000020  
 \* F20070927000020 -> 930269

(.....) RICAMBIO CONSIGLIATO  
 (.....) SUGGESTED SPARE-PARTS

**ARMADIO GN 2/1 - GN 2/1 RIDOTTO**  
 REFRIGERATING CABINET GN 2/1 - GN 2/1 REDUCED

RIF. REF. Da matricola n°  
 From serial n°

a ARMADIO CON PORTA INTERNA - FULL DOOR REFRIGERATING CABINET  
 b ARMADIO CON PORTA MEZZA - HALF DOOR REFRIGERATING CABINET  
 c ARMADIO CON SERVIZIO ITTICO - CABINET FOR FISH-SHOPS

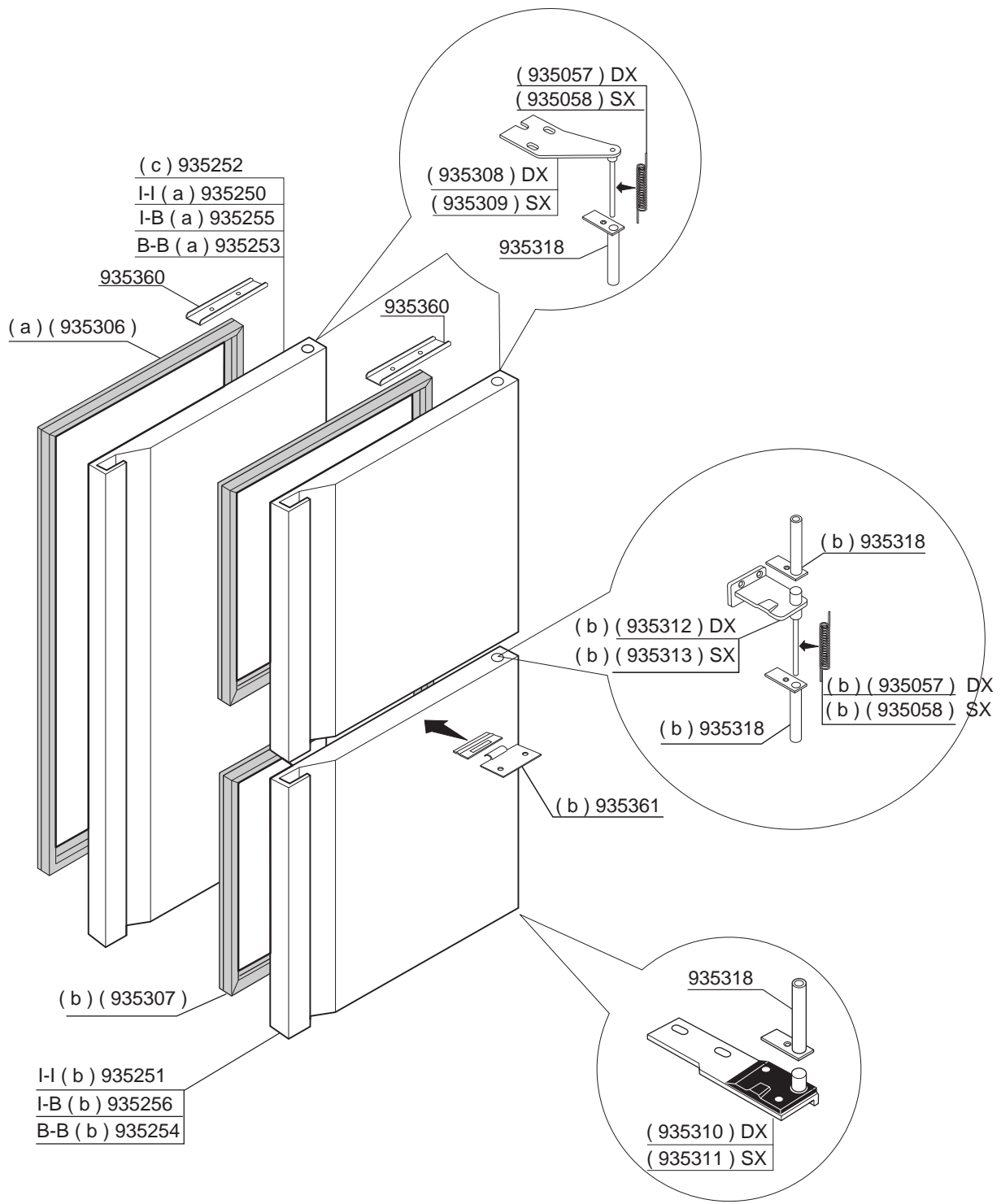
930302/113

**friulinox** 33082 AZZANO DECIMO  
 PORDENONE - ITALY

RIPRODUZIONE, ANCHE PARZIALE, VIETATA

**ESP1001-(01)**





(I) = INOX - STAINLESS/STEEL  
 (B) = BIANCO - WHITE

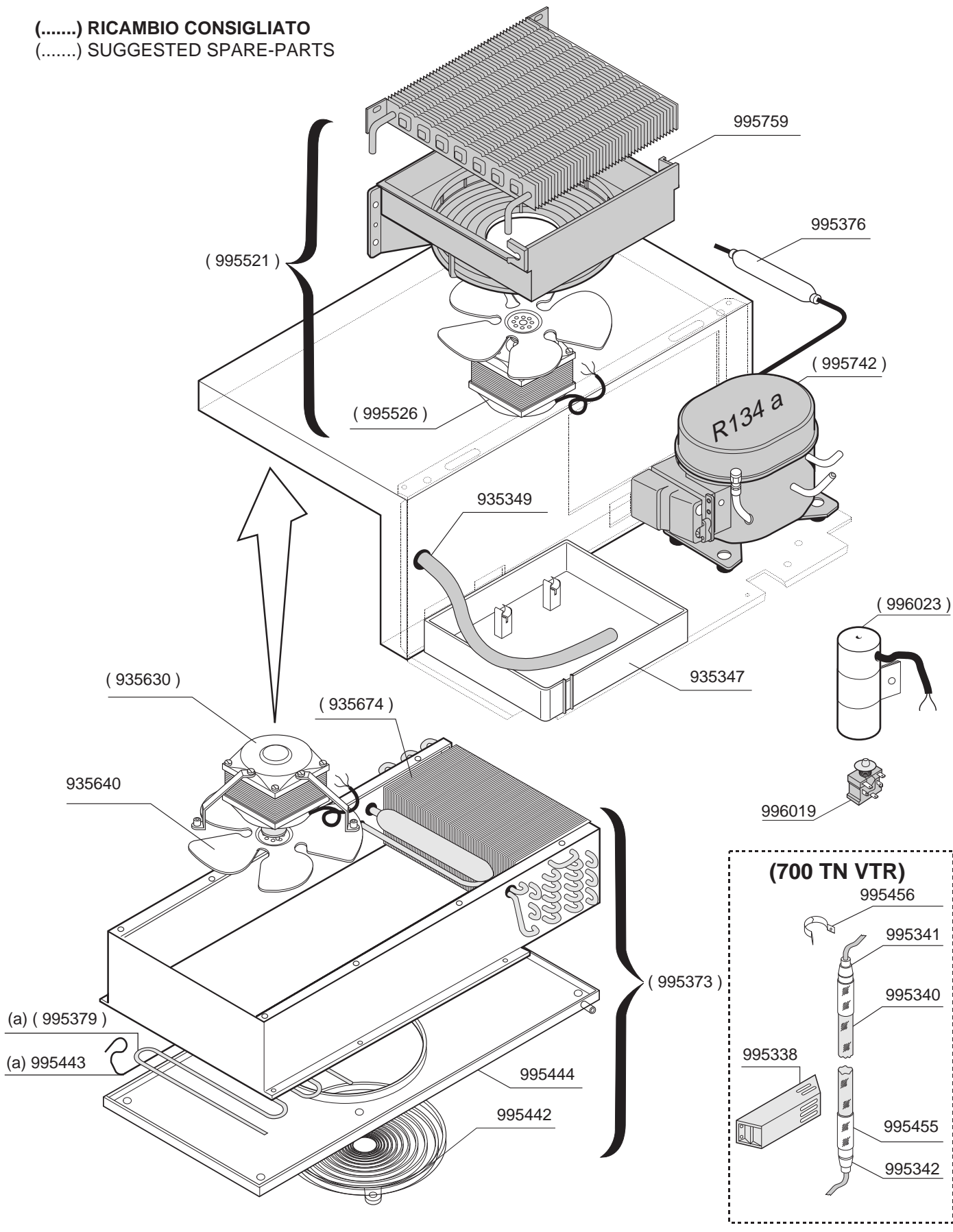
(.....) **RICAMBIO CONSIGLIATO**  
 (.....) **SUGGESTED SPARE-PARTS**

<b>PORTE CIECHE</b> SOLID DOORS		RIF. REF.	Da matricola n° From serial n°
a	PORTA INTERA FULL DOOR		930302/113
b	PORTA MEZZA HALF DOOR		
c	PORTA INTERA PASTICCERIA PROFONDITA' 700 - FULL DOOR CONFECTIONERY DEPTH 700		
<b>friulinox</b> 33083 TAIEDO DI CHIONS PORDENONE - ITALY		RIPRODUZIONE, ANCHE PARZIALE, VIETATA <b>ESP1001-(11)</b>	

<b>Cod.</b>	<b>Descrizione</b>	<b>Description</b>
935057	MOLLA PER PORTA DX ARMADI	SPRING FOR RIGHT DOOR AR7 -LEFT DOOR AR6
935058	MOLLA PER PORTA SX ARMADI	SPRING FOR LEFT DOOR AR7-RIGHT DOOR AR6
935250	PORTA INTERA AR MNSC INOX-INOX	DOOR FOR S/S REFRIGERATED CUPBOARD
935251	PORTA MEZZA AR MNSC INOX-INOX	HALF DOOR FOR S/S REFRIGERATED CUPBOARD
935252	PORTA INTERA AR6 PAST.MNSC INOX	DOOR FOR S/S AR6 CONFECTIONERY REFR.CUPB
935253	PORTA INTERA AR MNSC BIAN-BIAN	DOOR FOR WHITE/WHITE REFRIGERATED CUPB.
935254	PORTA MEZZA AR MNSC BIAN-BIAN	HALF DOOR FOR WHITE/WHITE REFR. CUPBOARD
935255	PORTA INTERA AR MNSC BIAN-INOX	DOOR FOR WHITE/ST.STEEL REFR. CUPBOARD
935256	PORTA MEZZA AR MNSC BIAN-INOX	HALF DOOR FOR WHITE/ST.STEEL REFR.CUPB.
935306	GUARNIZIONE PORTA INTERA AR MNSCOCA	DOOR GASKET FOR REFRIGERATED CUPBAORD
935307	GUARNIZIONE PORTA MEZZA AR MNSCOCA	HALF-DOOR GASKET FOR REFRIGERATED CUPB.
935308	CERNIERA SUPERIORE DESTRA AR MNSC	TOP RIGHT HINGE FOR CABINETS
935309	CERNIERA SUPERIORE SINISTRA AR MNSC	TOP LEFT HINGE FOR CABINETS
935310	CERNIERA INFERIORE DESTRA AR MNSC	BOTTOM RIGHT HINGE
935311	CERNIERA INFERIORE SINISTRA AR MNSC	BOTTOM LEFT HINGE
935312	CERNIERA MEZZE PORTE DESTRA AR MNSC	RIGHT HINGE FOR HALF DOORS
935313	CERNIERA MEZZE PORTE SINIST.AR MNSC	LEFT HINGE FOR HALF DOORS
935318	CANOTTO INOX ARMADIO MONOSCOCCA	S/S HINGE SHAFT - BLIND DOORS
935360	SQ.AZIONAM.MICRO E FERMO PORTA MNSC	(U-SHAPE)SQAURE TO ACIVATE MICRO-SWITCH
935361	SERRATURA X 1/2 PORTE AR MONOSCOCCA	LOCK FOR HALF DOORS

**PORTE CIECHE  
SOLID DOORS**

(.....) RICAMBIO CONSIGLIATO  
 (.....) SUGGESTED SPARE-PARTS



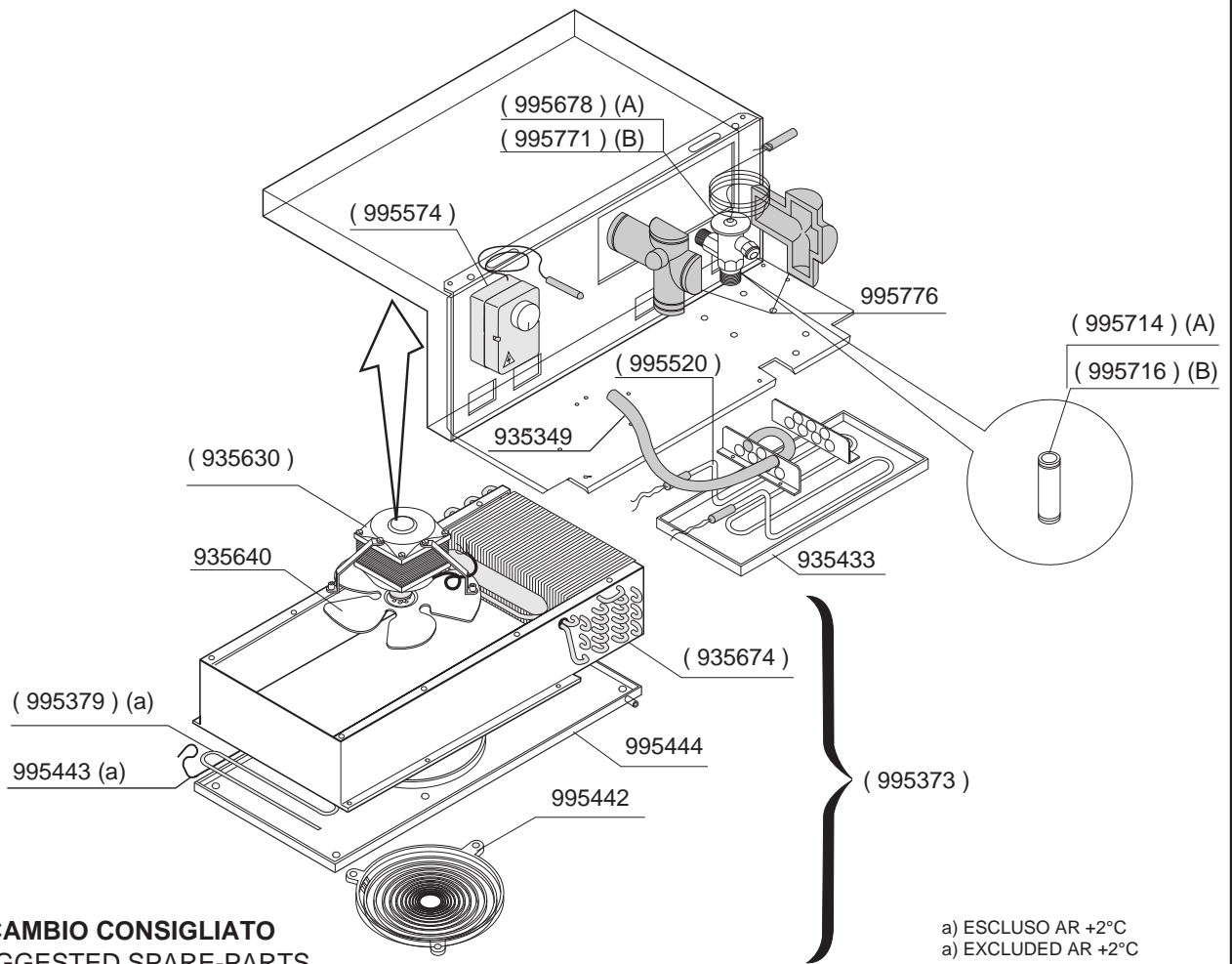
IMPIANTO FRIGO "700 TN"/ "700 TN VTR" "700 TN CON CASSETTI"/"TN 750"  
 REFRIGERATED UNIT "700 NT" / "700 NT VTR" / "700 NT WITH DRAWERS"/"NT 750"

RIF. Da matricola n°  
 REF. From serial n°

a ARMADIO REFRIGERATO (-2/+8°C) REFRIGERATED CABINET (-2/+8°C)

R 134a 960708/109



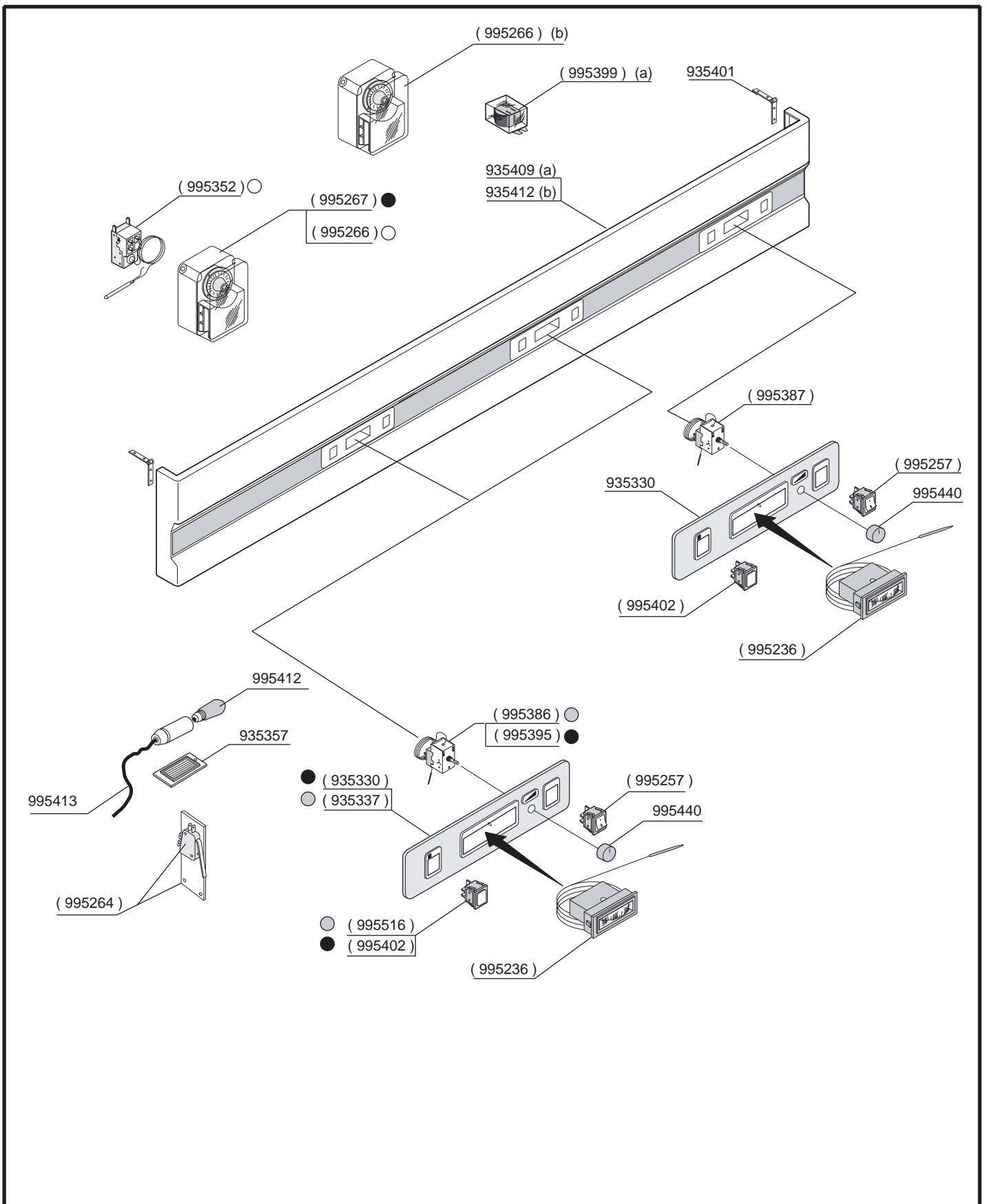


ARMADI 1 TEMPERATURA ONE TEMPERAT.CABINETS			ARMADI 2 TEMPERATURE TWO TEMPERAT.CABINETS						ARMADI 3 TEMPERATURE THREE TEMP.CABINETS					
AR6 +2	A	A	ARR122	①	A	A	ARP141	①	A	A	ARRP	①	A	A
AR6 -2	A	A		②	A	A		②	A	A		②	/	/
AR6 PA	A	A	ARP122	①	A	A	ARF141	①	A	A		③	/	/
AR6 +2 VTR	A	A		②	A	A		②	A	B	ARRF	①	A	A
AR6 -2 VTR	A	A	ARF122	①	A	A	AFP141	①	B	B		②	/	/
AP6 -4	A	A		②	B	A		②	A	A		③	/	/
AF6 -20	A	A	AFP122	①	B	A	ARR142 VTR	①	A	A	ARRR21	①	A	A
AF6 PA	A	A		②	A	A		②	A	A		②	A	A
AR7 +2	A	A	ARR142	①	A	A	ARF142 VTR	①	A	A		③	A	A
AR7 -2	A	A		②	A	A		②	/	/		①	A	A
AR7 +2CAS	A	A	ARP142	①	A	A	ARR212	①	/	/	ARRP21	②	A	A
AR7 -2 CAS	A	A		②	A	A		②	A	A		③	A	A
AR7 +2 VTR	A	A	ARF142	①	A	A	ARP212	①	/	/	ARRF21	①	A	A
AR7 -2 VTR	A	A		②	B	B		②	A	A		②	A	A
AR7 PIZ	A	A	AFP142	①	B	B	ARF212	①	/	/		③	B	B
AR7 S/V	A	A		②	A	A		②	B	B		①	A	A
AR7 PA	A	A	ARP121	①	A	A	ARP211	①	/	/	ARFP21	②	B	B
AP7 -4	A	A		②	A	A		②	A	A		③	A	A
AP7 -4 CAS	A	A	ARF121	①	A	A	ARF211	①	/	/	ARRF21 VTR	①	A	A
AE7	A	A		②	A	A		②	B	B		②	A	A
AF7 -25	B	B	AFP121	①	B	A	ARR212 VTR	①	/	/		③	/	/
AF7 PA	B	B		②	A	A		②	A	A				
			ARR141	①	A	A	ARF VTR	①	/	/				
				②	A	A		②	/	/				

<b>UNITA' EVAPORATRICE ARMADI PREDISPOSTI</b> EVAPORATING UNIT OF REMOTE CONTROLLED REFR.CABINETS		RIF. REF.	Da matricola n° From serial n°
		R134a R404A	951016/111





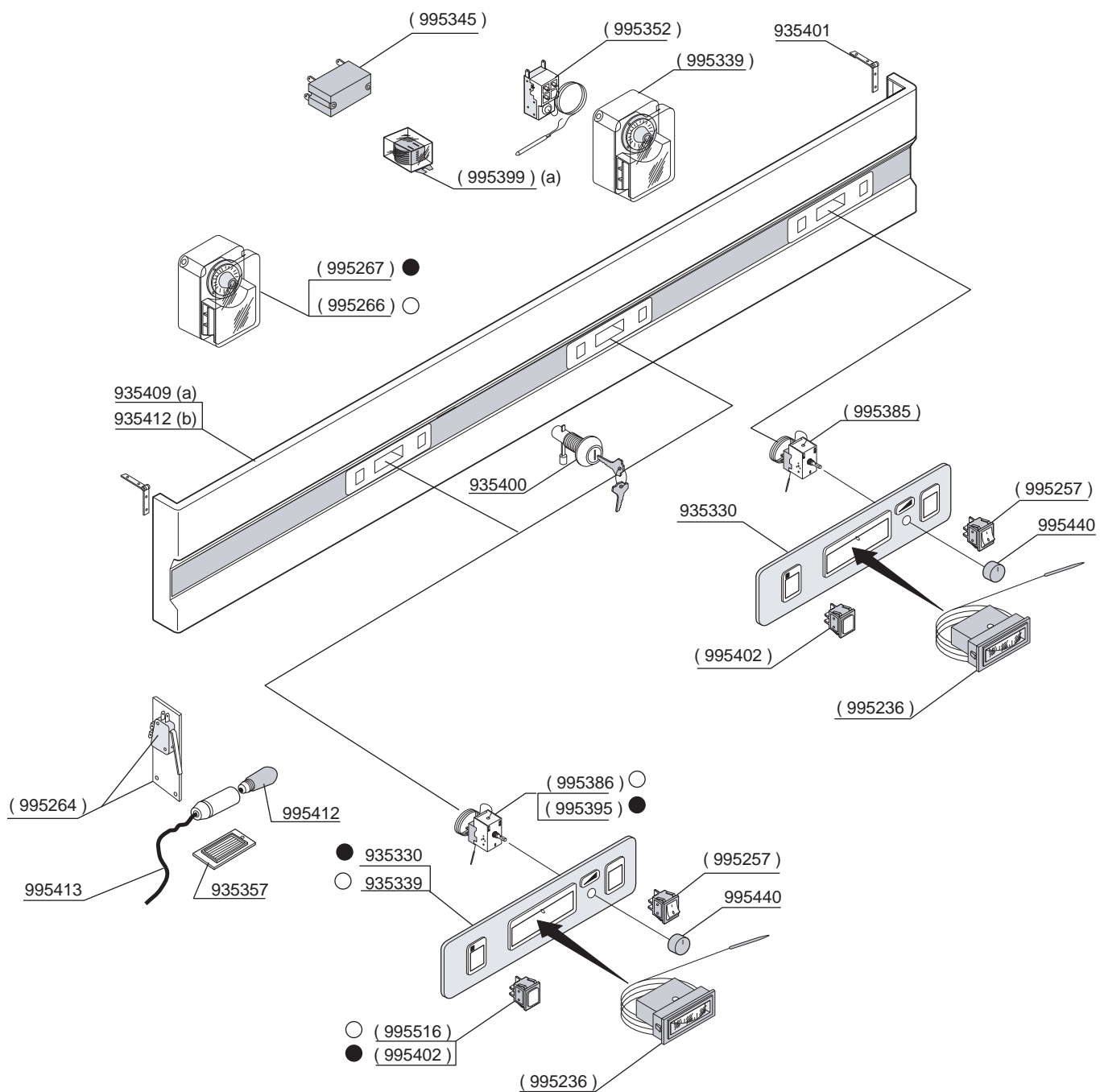


a) AR 1200 /AR 1400  
 b) AR 2100

(.....) **RICAMBIO CONSIGLIATO**  
 (.....) **SUGGESTED SPARE-PARTS**

<b>PANNELLO COMANDI ARMADIO "TN+TN+ITTICO" MECCANICO</b> CONTROL PANEL FOR MECH."NT+NT+FISH" FOR REFR.CABINET		RIF. REF.	Da matricola n° From serial n°
●	ARMADIO REFRIGERATO PORTE CIECHE (+2/+8 °C) REFRIGERATED CABINET BLIND DOORS (+2/+8 °C)		930302/113
○	ARMADIO REFRIGERATO PORTE CIECHE (-2/+8 °C) REFRIGERATED CABINET BLIND DOORS (-2/+8 °C)		

<b>Cod.</b>	<b>Descrizione</b>	<i>Description</i>
935330	MASCHERINA COMANDI AR TN-BT-ITT MEC	<i>CONTROL TEMPLATE CABINET NT-LT-FISH MEC</i>
935337	MASCHERINA COMANDI AR ST/VE MECC.	<i>CONTROL BOARD CABINET ST/VE MECH.</i>
935357	VETRINO PROTEZIONE LAMPADA AR MNSC	<i>LAMP PROTECTION GLASS</i>
935401	KIT CERNIERA PER CRUSCOT.AR MNSC/22	<i>HINGE KIT FOR FRONT PANEL</i>
935409	CRUSCOTTO BLU MECCAN AR 14 3T MNSC/	<i>BLUE FRONT PANEL FOR MECH.AR14 3T CUPB.</i>
935412	CRUSCOTTO BLU MECCAN AR 21 3T MNSC/	<i>BLUE FRONT PANEL FOR MECH.AR21 3T CUPB.</i>
995236	TERMOMETRO MECCANICO 32X75	<i>MECHANIC THERMOMETER 32X75</i>
995257	INTERRUTTORE GENERALE VERDE PER AR	<i>MAIN SWITCH (GREEN)</i>
995264	MICROINTERRUTTORE PORTA AR	<i>DOOR MICROSWITCH</i>
995266	TIMER BIGATTI SBRINAMENTO GAS TR MN	<i>DEFROST TIMER 'BIGATTI'</i>
995267	TIMER BIGATTI TN AR/TR	<i>TIMER 'BIGATTI'</i>
995352	TERMOSTATO RANCO FINE SBRINAM. K22	<i>-RANCO- K22 DEFROST-CONTROL THERMOSTAT</i>
995386	TERMOSTATO K55-L5061 AR TN°-2	<i>THERMOSTAT K55-L5061 AR TN-2 CHILLER</i>
995387	TERMOSTATO K55-L5066 AR ITT	<i>THERMOSTAT K55-L5066 AR FISH</i>
995395	TERMOSTATO K55-L5069 AR TN +2°C	<i>THERMOSTAT K55-L5069</i>
995399	RELE' 60.62 2 SCAMBI 10A MNSC	<i>RELAY 'FINDER' 10A</i>
995402	LAMPADA SPIA GIALLA AR	<i>YELLOW LAMP TR</i>
995412	LAMPADA TUBOLARE 10W E14 AR MNSC	<i>TUBULAR LAMP 10W E14</i>
995413	CAVO CON PORTALAMPADA AR MNSC	<i>BULB SOCKET+WIRE</i>
995440	MANOPOLA PER TERMOSTATO K55	<i>KNOB FOR THERMOSTAT K55</i>
995516	DEVIATORE VERDE+SPIA GIALLA	<i>GREEN SWICTH + YELLOW LAMP</i>



a) AR 1200/AR1400  
b) AR 2100

(.....) **RICAMBIO CONSIGLIATO**  
(.....) **SUGGESTED SPARE-PARTS**

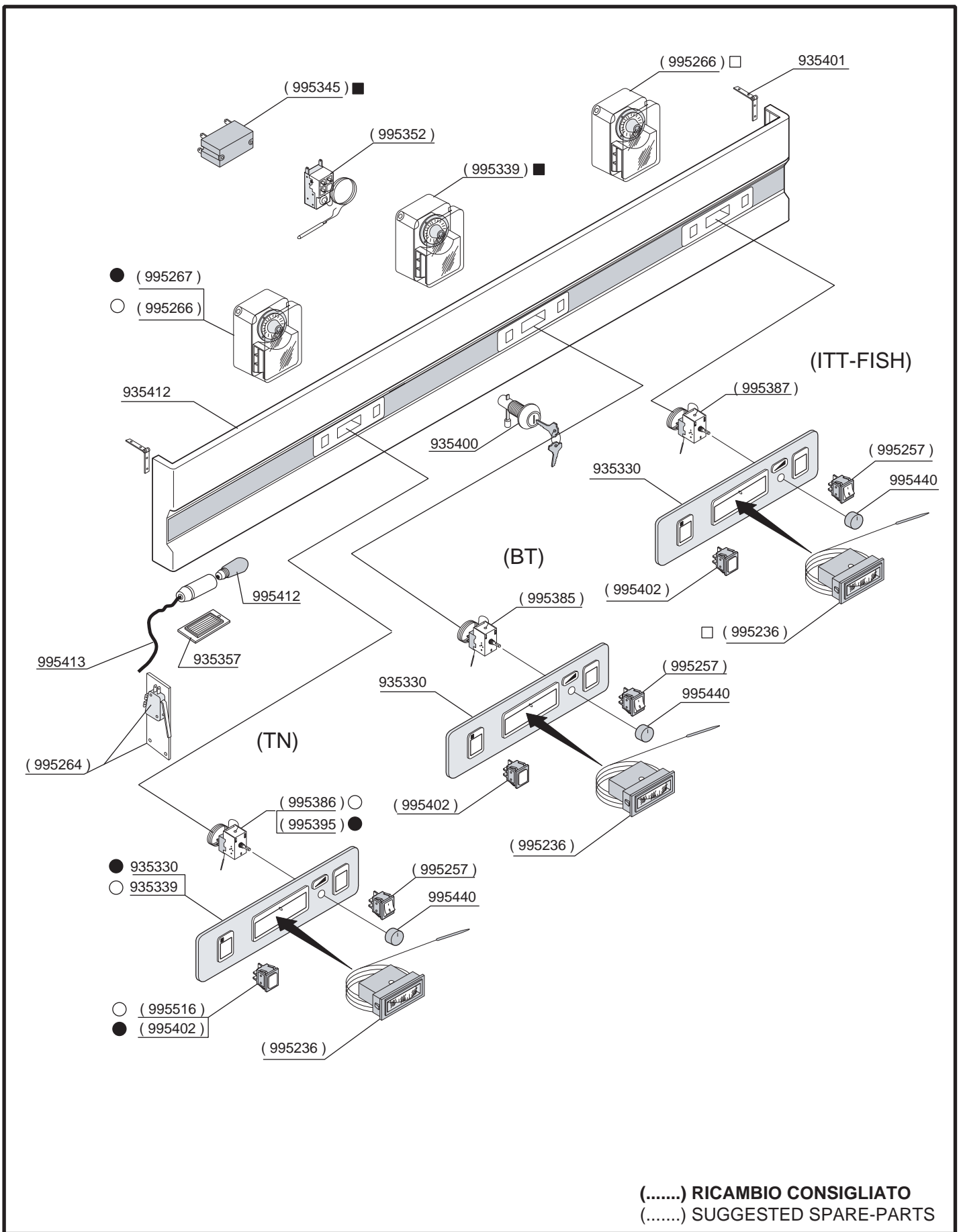
**PANNELLO COMANDI ARMADIO "TN+TN+BT" MECCANICO**  
CONTROL PANEL FOR "NT+NT+LT" MECH. REFR. CABINET

RIF. REF. Da matricola n°  
From serial n°

- ARMADIO REFRIGERATO PORTE CIECHE (+2/+8 °C) REFRIGERATED CABINET BLIND DOORS (+2/+8 °C)
- ARMADIO REFRIGERATO PORTE CIECHE (-2/+8 °C) REFRIGERATED CABINET BLIND DOORS (-2/+8 °C)

930302/113

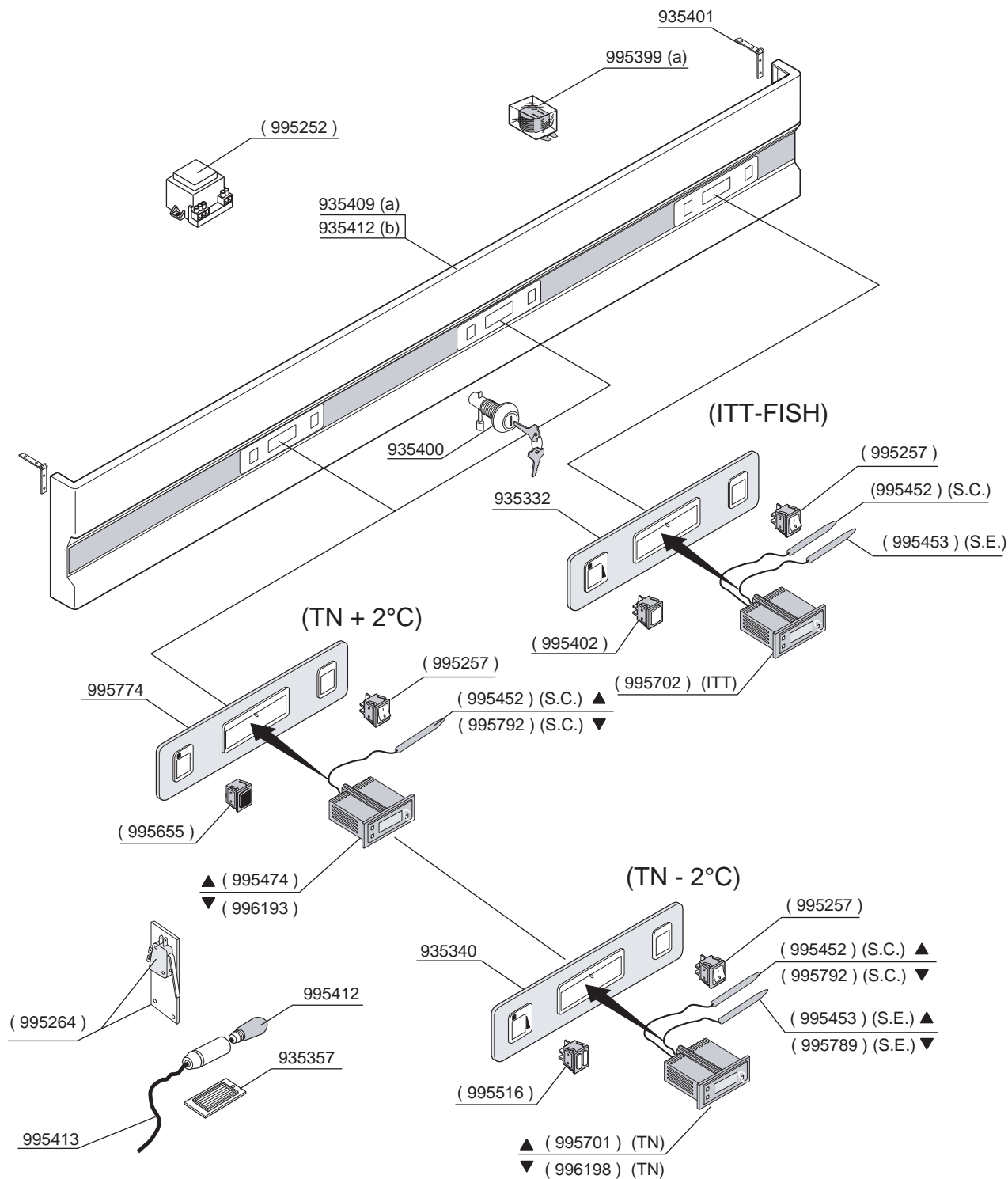




(.....) RICAMBIO CONSIGLIATO  
 (.....) SUGGESTED SPARE-PARTS

<b>PANNELLO COMANDO ARMADIO "TN+BT+ITT 2100" MECCANICO</b> CONTROL PANEL FOR "NT+LT+FISH 2100" MECH. REFR.CABINET		RIF. REF.	Da matricola n° From serial n°
●	ARMADIO REFRIGERATO (+2/+8 °C) REFRIGERATING CABINET (+2/+8°C)		930302/113
○	ARMADIO REFRIGERATO (-2/+8 °C) REFRIGERATING CABINET (-2/+8°C)		
■	ARMADIO REFRIGERATO (-25/-15 °C) REFRIGERATING CABINET (-25/-15°C)		
□	ARMADIO REFRIGERATO (-4/+6 °C) REFRIGERATING CABINET (-4/+6°C)		





a) AR1400  
b) AR 2100

▲ S.E - SONDA EVAPORATORE (ROSSA) - EVAPORATOR PROBE (RED)  
▲ S.C. - SONDA CELLA (GRIGIA) - CELL PROBE (GREY)

▼ S.E - SONDA EVAPORATORE (BLACK - DEF) - EVAPORATOR PROBE (BLACK-DEF)  
▼ S.C. - SONDA CELLA (NERA -THERM) - CELL PROBE (BLACK-THERM)

(.....) **RICAMBIO CONSIGLIATO**  
(.....) **SUGGESTED SPARE-PARTS**

**PANNELLO COMANDO ARMADIO "TN-TN-ITTICO" ELETTRONICO**  
CONTROL PANNEL FOR "NT+NT+FISH" ELECTRONIC REFR.CABINET

RIF.  
REF.

Da matricola n°  
From serial n°

EWPC

950904/111

▲

20030530000099

▼

20030603000001

**friulinox** 33083 TAIEDO DI CHIONS  
PORDENONE - ITALY

RIPRODUZIONE, ANCHE PARZIALE, VIETATA

**ESP1001-(171)**

<b>Cod.</b>	<b>Descrizione</b>	<i>Description</i>
935332	MASCHERINA COMANDI AR BT-ITT ELETT.	CONTROL PANEL FREEZER
935340	MASC.COMANDI AR TN UR% MIN/MAX ELET	CONTROL PANEL CHILLER
935357	VETRINO PROTEZIONE LAMPADA AR MNSC	LAMP PROTECTION GLASS
935400	SERRATURA A CHIAVE X AR MNSC/22	KEY-LOCKING DEVICE FOR REFR.CUPBOARDS
935401	KIT CERNIERA PER CRUSCOT.AR MNSC/22	HINGE KIT FOR FRONT PANEL
935409	CRUSCOTTO BLU MECCAN AR 14 3T MNSC/	BLUE FRONT PANEL FOR MECH.AR14 3T CUPB.
935412	CRUSCOTTO BLU MECCAN AR 21 3T MNSC/	BLUE FRONT PANEL FOR MECH.AR21 3T CUPB.
995252	TRASFORMATORE 3VA 230/12V VDE	TRANSFORMER 3VA 220/12V VDE
995257	INTERRUTTORE GENERALE VERDE PER AR	MAIN SWITCH (GREEN)
995264	MICROINTERRUTTORE PORTA AR	DOOR MICROSWITCH
995399	RELE' 60.62 2 SCAMBI 10A MNSC	RELAY 'FINDER' 10A
995402	LAMPADA SPIA GIALLA AR	YELLOW LAMP TR
995412	LAMPADA TUBOLARE 10W E14 AR MNSC	TUBULAR LAMP 10W E14
995413	CAVO CON PORTALAMPADA AR MNSC	BULB SOCKET+WIRE
995452	SONDA PTC GRIGIA SILIC.L=1500 CELLA	PTC PROBE - GREY L=1500
995453	SONDA PTC ROSSA SILIC.L=1500 EVAPOR	SILIC.PTC EVAPORATOR RED PROBE L=1500
995474	TELETERMOSTATO EWPC961 TN°	DIGITAL ELECTRONIC THERMOSTAT EWPC961 NT
995516	DEVIATORE VERDE+SPIA GIALLA	GREEN SWICTH + YELLOW LAMP
995655	TAPPO INTERRUTTORE NERO	BLACK COVERING FOR SWITCH
995701	TELETERMOSTATO EWPC 974 AR TN	DIGITAL ELEC.THERMOSTAT EWPC 974 CHILLER
995702	TELETERMOSTATO EWPC 974 AR ITTICO	DIGITAL ELECTR.THERMOSTAT EWPC974 - FISH
995774	MASCHERINA COMANDI AR TR NEUTRA	CONTROL PANEL B209 - AR TR NEUTRAL
995789	SONDA NTC NERA SBRIN. L=1500 PVC	NTC PROBE - BLACK DEFROST PVC L=1500
995792	SONDA NTC NERA TERM. L=1500 PVC	NTC PROBE - BLACK THERM. PVC L=1500
996193	TELETERMOSTATO ID 961	DIGITAL ELECTR.THERMOSTAT ID 961
996198	TELETERMOSTATO ID 974 TN	DIGITAL ELECTR.THERMOSTAT ID 974 NT

**PANNELLO COMANDO ARMADIO"TN-TN-ITTICO" ELETTRONICO**  
CONTROL PANNEL FOR "NT+NT+FISH" ELECTRONIC REFR. CABINET