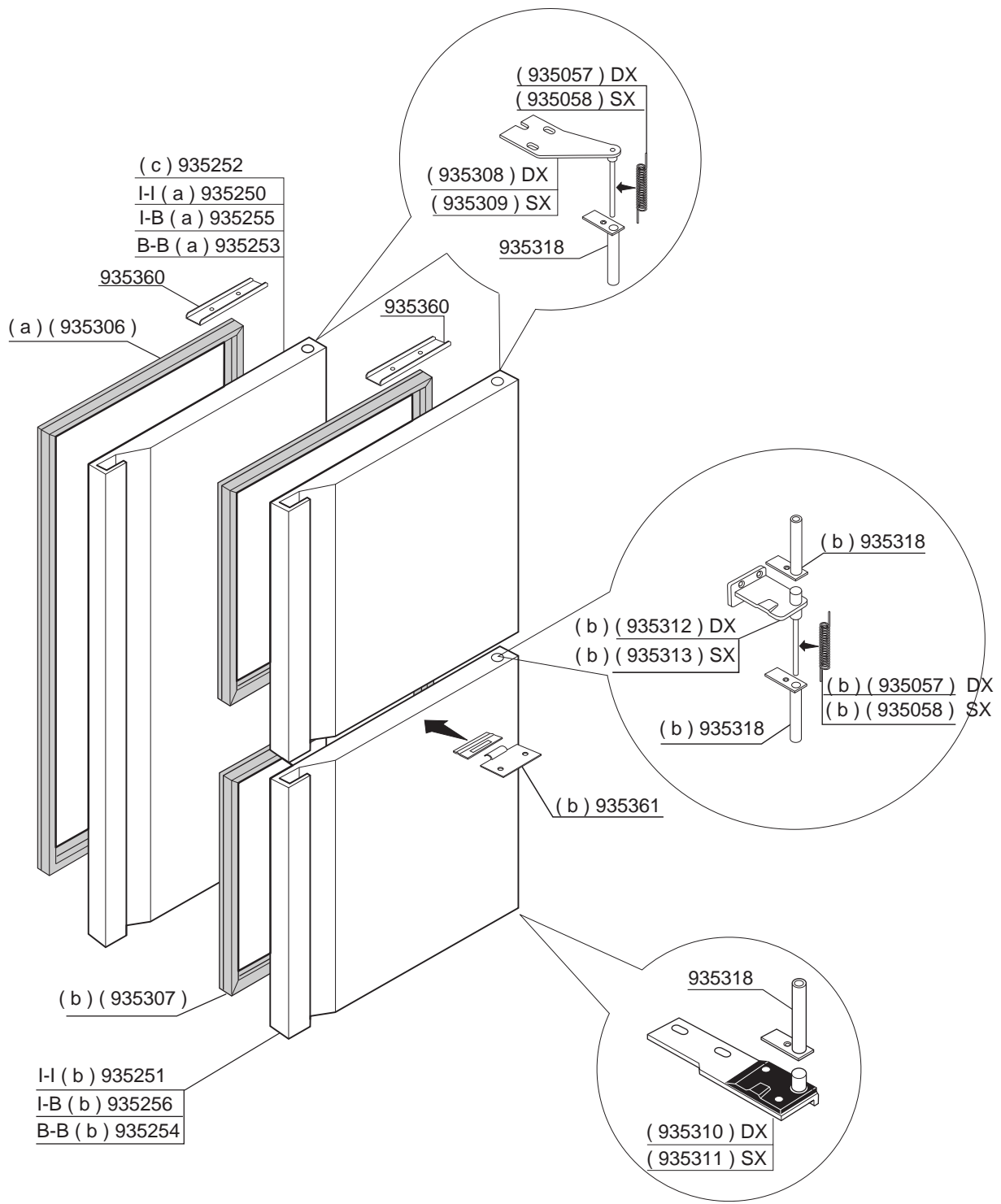


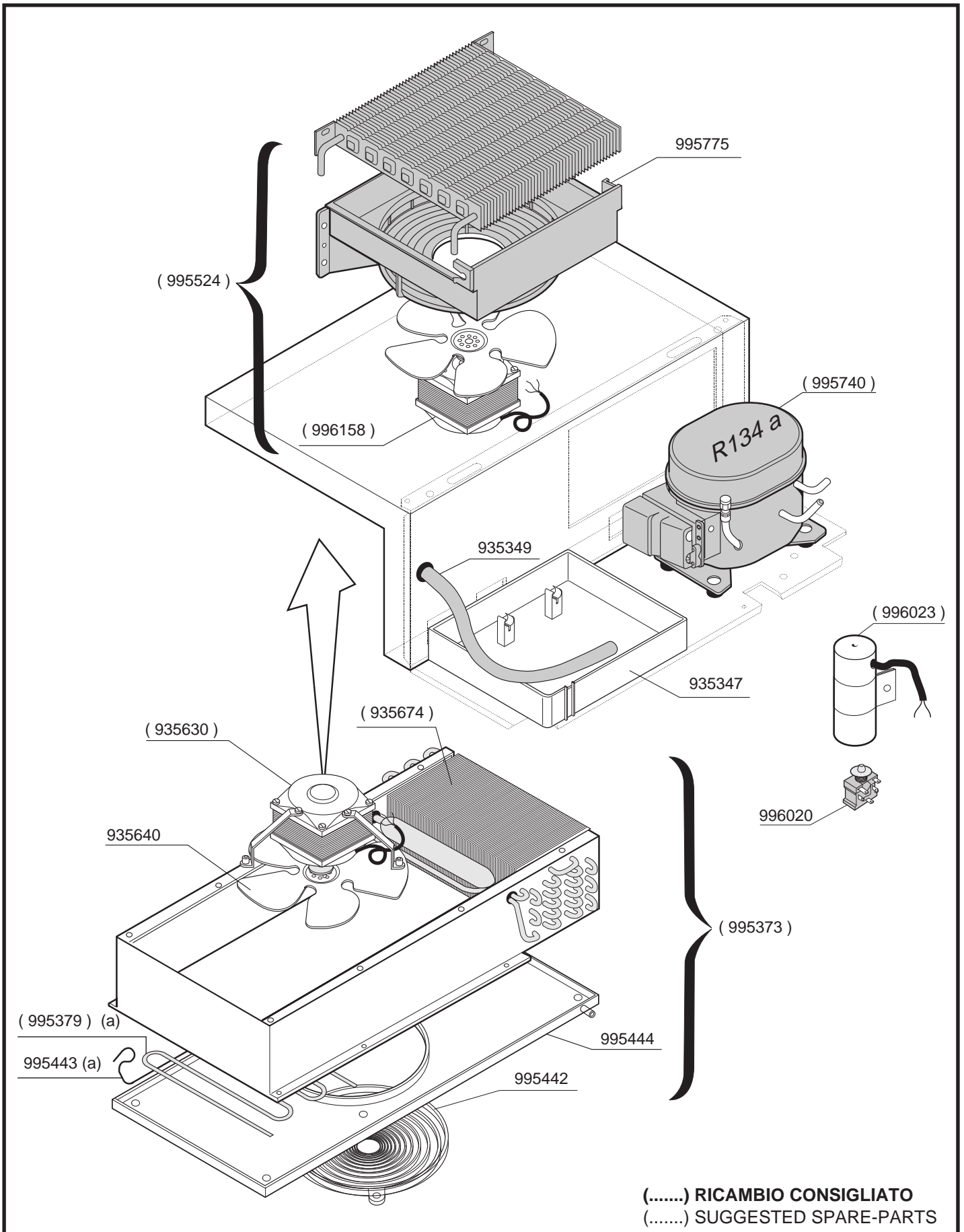
ARMADIO GN 2/1 - GN 2/1 RIDOTTO REFRIGERATING CABINET GN 2/1 - GN 2/1 REDUCED		RIF. REF.	Da matricola n _i From serial n _i
a	ARMADIO CON PORTA INTERNA - FULL DOOR REFRIGERATING CABINET		930302/113
b	ARMADIO CON PORTA MEZZA - HALF DOOR REFRIGERATING CABINET		
c	ARMADIO CON SERVIZIO ITTICO - CABINET FOR FISH-SHOPS		
friulinox 33082 AZZANO DECIMO PORDENONE - ITALY		RIPRODUZIONE, ANCHE PARZIALE, VIETATA ESP1001-(01)	



(I) = INOX - STAINLESS/STEEL
 (B) = BIANCO - WHITE

(.....) **RICAMBIO CONSIGLIATO**
 (.....) **SUGGESTED SPARE-PARTS**

PORTE CIECHE SOLID DOORS		RIF. REF.	Da matricola n° From serial n°
a	PORTA INTERA FULL DOOR		930302/113
b	PORTA MEZZA HALF DOOR		
c	PORTA INTERA PASTICCERIA PROFONDITA' 700 - FULL DOOR CONFECTIONERY DEPTH 700		
friulinox 33083 TAIEDO DI CHIONS PORDENONE - ITALY		RIPRODUZIONE, ANCHE PARZIALE, VIETATA ESP1001-(11)	

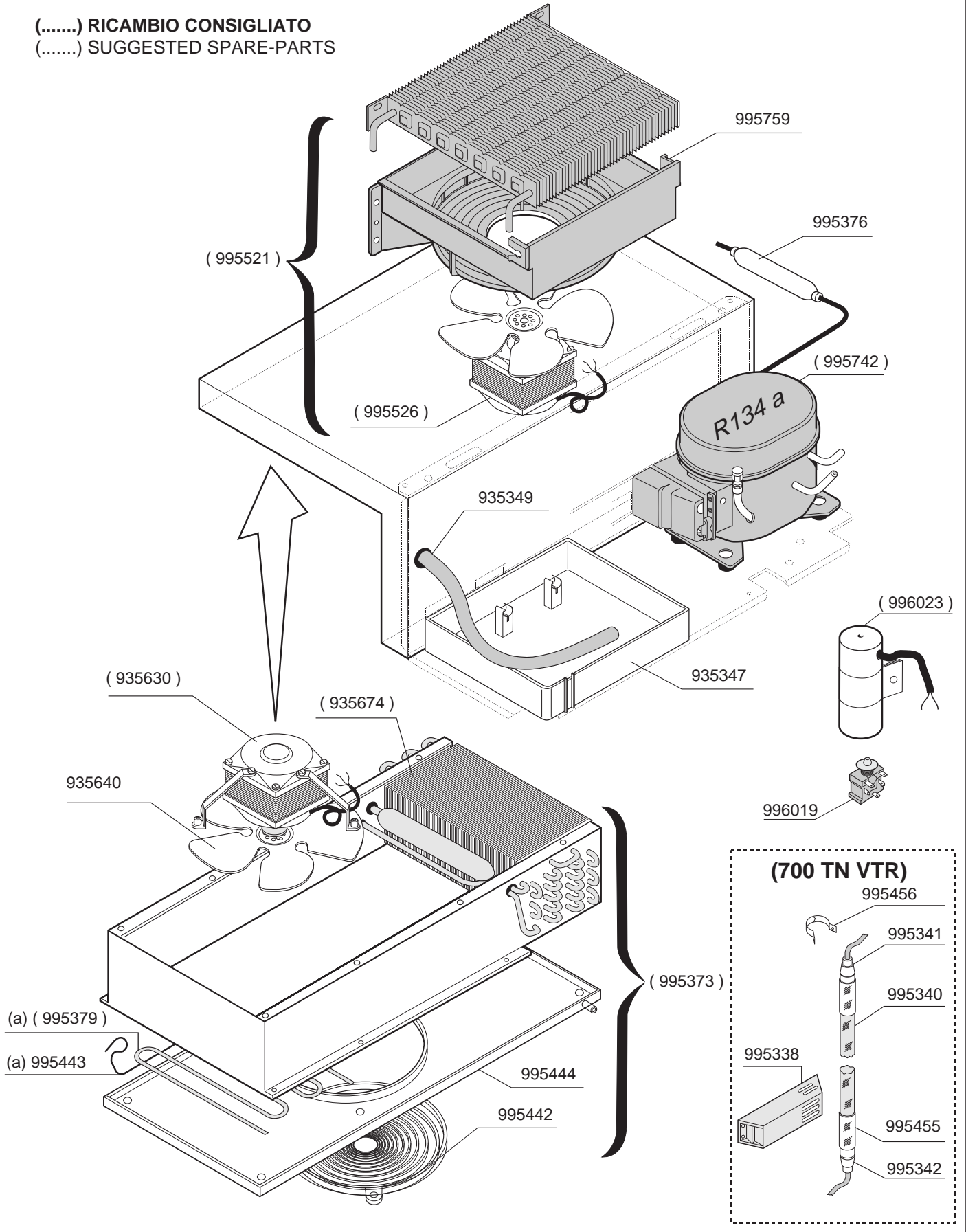


IMPIANTO FRIGO "600TN" / "600 ITTICO" / "350 ITTICO" / "300 ITTICO" REFRIGERATED UNIT "600NT" / "600 FISH" / "350 FISH" / "300 FISH"		RIF. REF.	Da matricola n° From serial n°
a	ARMADIO REFRIGERATO (-2/+8 °C) (-4/+6 °C) REFRIGERATED CABINET (-2/+8 °C) (-4/+6 °C)	R134a	970210/111

Cod.	Descrizione	Description
935347	VASCHETTA EVAP.CONDENSE AR7 MNSC	TRAY FOR CONDENSATE EVAPORATION - AR7
935349	TUBO SCARICO CONDENSE DX AR MNSC	PIPE (RIGHT) FOR CONDENSATE OUTLET
935630	MOTORE 10W 230V-50/60HZ FIS.VITE	ENGINE 10W 230V-50/60HZ SCREW FIXING
935640	VENTOLA 230-23° ASPIR. 230 23 AA	FAN 230-23° ASPIR. 230 23AA
935674	EVAPORATORE 6R-6T AR6-7 MNSC	EVAPORATOR 6R-6T AR6-7 MNSC
995373	ASSIEM. EVAPORATORE 6R-6T AR6-7 MNSC	EVAPORATOR ASS. 6R-6T AR6-7 MNSC
995379	RESISTENZA EVAPORATORE AR7 MNSC	EVAPORATOR HEATER AR7
995442	GRIGLIA PROTEZ.VENTILAT.EVAP.MNSC	PROTECTION GRID FOR EVAPORATOR FAN
995443	MOLLA FISS.RESISTENZA EVAPOR.MNSC	FLAT SPRING TO FIX EVAPORATOR HEATER
995444	COPERCHIO EVAPORATORE AR6-7 MNSC	EVAPORATOR COVERING AR6-7 MNSC
995524	CONDENSATORE STVF 93	CONDENSER STVF 93AR12
995740	COMPRESSORE B6160Z R134A	COMPRESSOR B6160Z - R134A
995775	CONVOGLIAT.PER CONDENS.STVF 93/139	CONVEYOR FOR CONDENSER STVF 93/139
996020	RELE' AVVIAMENTO DANFOSS '117U6015'	STARTING RELAIS DANFOSS '117U6015'
996023	CONDENSATORE EL. DANFOSS '117U5015'	CONDENSER EL. DANFOSS '117U5015'
996158	VENTILATORE 7W/S	FAN 7W/S

IMPIANTO FRIGO "600TN" / "600 ITTICO"/ "350 ITTICO"/ "300 ITTICO"
 REFRIGERATED UNIT "600NT" / "600 FISH" / "350 FISH"/"300 FISH"

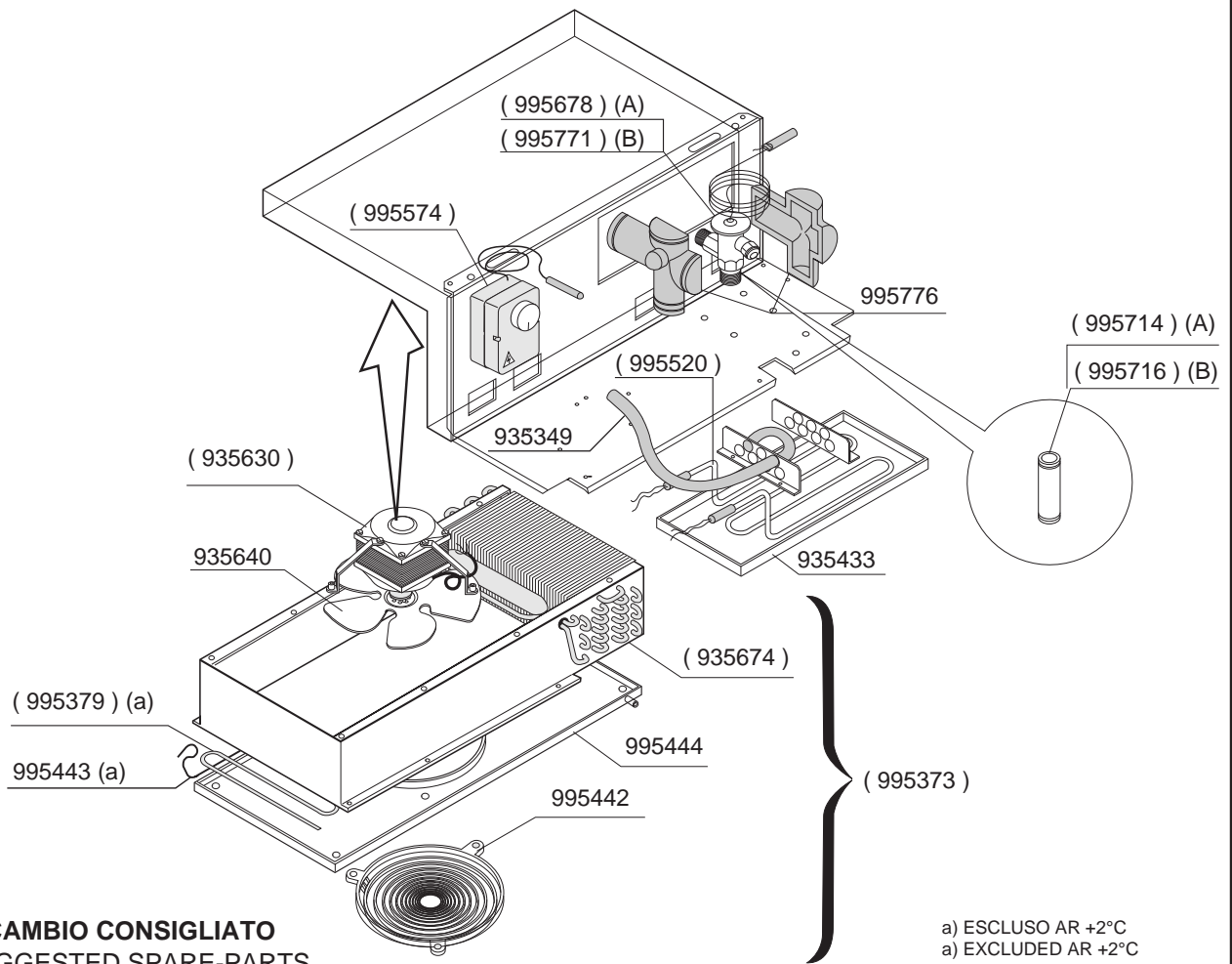
(.....) RICAMBIO CONSIGLIATO
 (.....) SUGGESTED SPARE-PARTS



IMPIANTO FRIGO "700 TN"/ "700 TN VTR" "700 TN CON CASSETTI"/"TN 750" REFRIGERATED UNIT "700 NT" / "700 NT VTR" / "700 NT WITH DRAWERS"/"NT 750"		RIF. REF.	Da matricola n° From serial n°
a	ARMADIO REFRIGERATO (-2/+8°C) REFRIGERATED CABINET (-2/+8°C)	R 134a	960708/109

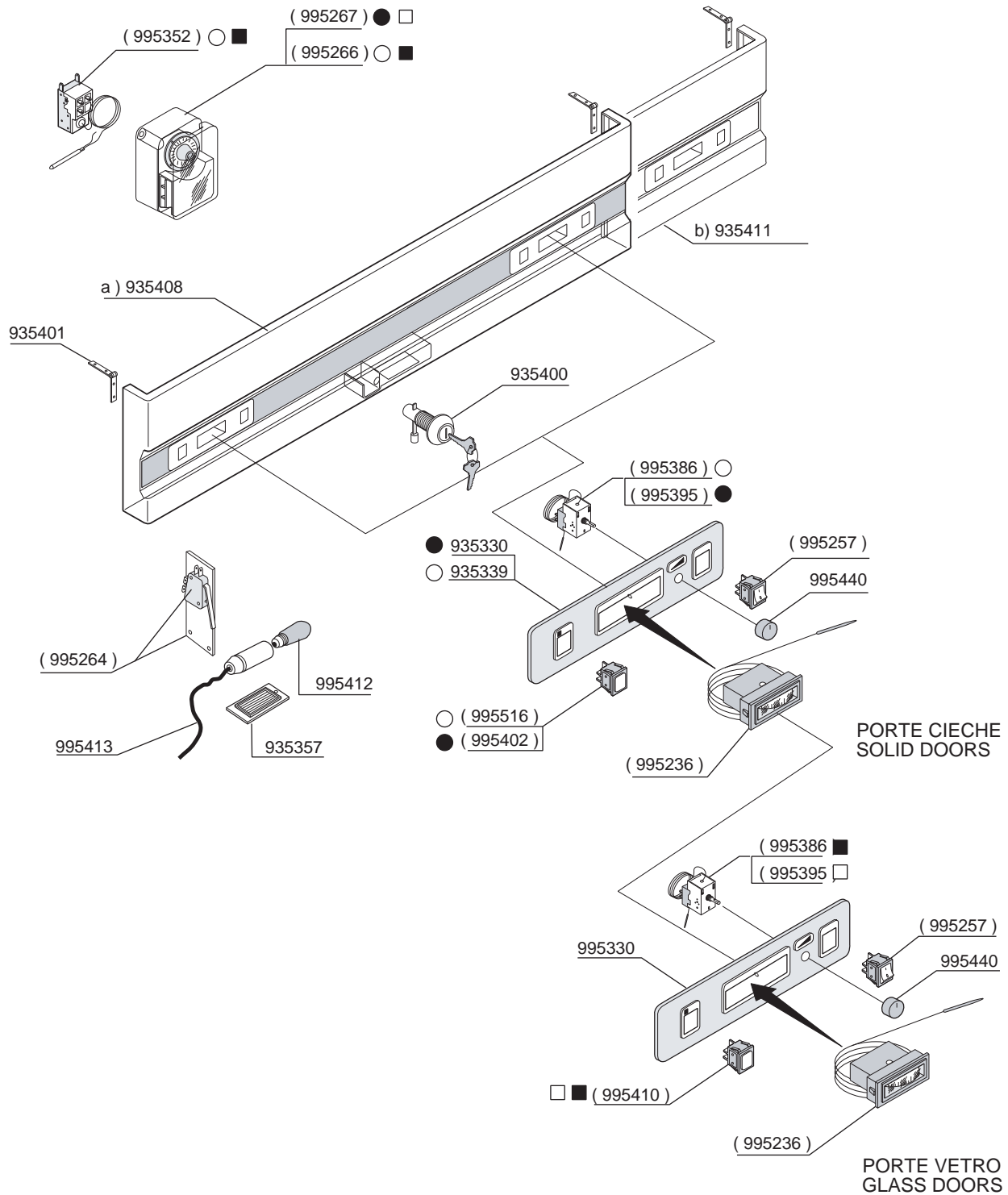
Cod.	Descrizione	Description
935347	VASCHETTA EVAP.CONDENSEA AR7 MNSC	TRAY FOR CONDENSATE EVAPORATION - AR7
935349	TUBO SCARICO CONDENSEA DX AR MNSC	PIPE (RIGHT) FOR CONDENSATE OUTLET
935630	MOTORE 10W 230V-50/60HZ FIS.VITE	ENGINE 10W 230V-50/60HZ SCREW FIXING
935640	VENTOLA 230-23° ASPIR. 230 23 AA	FAN 230-23° ASPIR. 230 23AA
935674	EVAPORATORE 6R-6T AR6-7 MNSC	EVAPORATOR 6R-6T AR6-7 MNSC
995338	REATTORE ELETTRONICO 2X36 TN	ELECTRONIC REACTOR 2X36 NT CHILLER
995340	LAMPADA NEON DA 36W L=1200	TUBULAR LAMP - 36W L=1200
995341	CAVETTO X L/NEON MOD.P1016 L=1500	WIRE FOR TUB.LAMP. MOD.P1016 L=1500
995342	CAVETTO X L/NEON MOD.P1016 L=2780	WIRE FOR TUB. LAMP.MOD. P1016 L=2780
995373	ASSIEME EVAPORATORE 6R-6T AR6-7 MNSC	S/S EVAPORATOR 6R-6T AR6-7
995376	FILTRO DEIDRATORE 15 GR 6X3	DEHYDRATOR FILTER 15GR.
995379	RESISTENZA EVAPORATORE AR7 MNSC	EVAPORATOR HEATER AR7
995442	GRIGLIA PROTEZ.VENTILAT.EVAP.MNSC	PROTECTION GRID FOR EVAPORATOR FAN
995443	MOLLA FISS.RESISTENZA EVAPOR.MNSC	FLAT SPRING TO FIX EVAPORATOR HEATER
995444	COPERCHIO EVAPORATORE AR6-7 MNSC	EVAPORATOR COVERING AR6-7 MNSC
995455	TUBO PLEXIGLAS X AR PORTE VETRO	PLEXIGLASS PIPE FOR GLASS DOOR CUPBOARDS
995456	GRAFFETTA FISSA TUBO NEON AR PORTE VETRO	CLIP FOR TUBULAR LAMP
995521	CONDENSATORE STVF 124 CONVOGL.RINF.	CONDENSER STVF 124 -REINF.CONVEYOR W/CUR
995526	VENTILATORE COND.STVF 12/20 D=254	STVF CONDENSER FAN 12/20 D=254
995742	COMPRESSORE B6170Z R134A	COMPRESSOR B6170Z - R134A
995759	CONVOGLIAT.PER CONDENS.STVF 124/194	CONVEYOR FOR CONDENSER STVF 124/194
996019	RELE' AVVIAMENTO DANFOSS '117U6010'	STARTING RELAIS DANFOSS '117U6010'
996023	CONDENSATORE EL. DANFOSS '117U5015'	CONDENSER EL. DANFOSS '117U5015'

IMPIANTO FRIGO "700 TN"/ "700 TN VTR" "700 TN CON CASSETTI" "750 TN"
REFRIGERATED UNIT "700 NT" / "700 NT VTR" / "700 NT WITH DRAWERS" "750 LT"



ARMADI 1 TEMPERATURA ONE TEMPERAT.CABINETS			ARMADI 2 TEMPERATURE TWO TEMPERAT.CABINETS						ARMADI 3 TEMPERATURE THREE TEMP.CABINETS					
AR6 +2	A	A	ARR122	①	A	A	ARP141	①	A	A	ARRP	①	A	A
AR6 -2	A	A		②	A	A		②	A	A		②	/	/
AR6 PA	A	A	ARP122	①	A	A	ARF141	①	A	A		③	/	/
AR6 +2 VTR	A	A		②	A	A		②	A	B	ARRF	①	A	A
AR6 -2 VTR	A	A	ARF122	①	A	A	AFP141	①	B	B		②	/	/
AP6 -4	A	A		②	B	A		②	A	A		③	/	/
AF6 -20	A	A	AFP122	①	B	A	ARR142 VTR	①	A	A	ARRR21	①	A	A
AF6 PA	A	A		②	A	A		②	A	A		②	A	A
AR7 +2	A	A	ARR142	①	A	A	ARF142 VTR	①	A	A		③	A	A
AR7 -2	A	A		②	A	A		②	/	/		①	A	A
AR7 +2CAS	A	A	ARP142	①	A	A	ARR212	①	/	/	ARRP21	②	A	A
AR7 -2 CAS	A	A		②	A	A		②	A	A		③	A	A
AR7 +2 VTR	A	A	ARF142	①	A	A	ARP212	①	/	/	ARRF21	①	A	A
AR7 -2 VTR	A	A		②	B	B		②	A	A		②	A	A
AR7 PIZ	A	A	AFP142	①	B	B	ARF212	①	/	/		③	B	B
AR7 S/V	A	A		②	A	A		②	B	B		①	A	A
AR7 PA	A	A	ARP121	①	A	A	ARP211	①	/	/	ARFP21	②	B	B
AP7 -4	A	A		②	A	A		②	A	A		③	A	A
AP7 -4 CAS	A	A	ARF121	①	A	A	ARF211	①	/	/	ARRF21 VTR	①	A	A
AE7	A	A		②	A	A		②	B	B		②	A	A
AF7 -25	B	B	AFP121	①	B	A	ARR212 VTR	①	/	/		③	/	/
AF7 PA	B	B		②	A	A		②	A	A				
			ARR141	①	A	A	ARF VTR	①	/	/				
				②	A	A		②	/	/				

UNITA' EVAPORATRICE ARMADI PREDISPOSTI EVAPORATING UNIT OF REMOTE CONTROLLED REFR.CABINETS		RIF. REF.	Da matricola n° From serial n°
		R134a R404A	951016/111



a) AR 1200/AR 1400
b) AR 2100

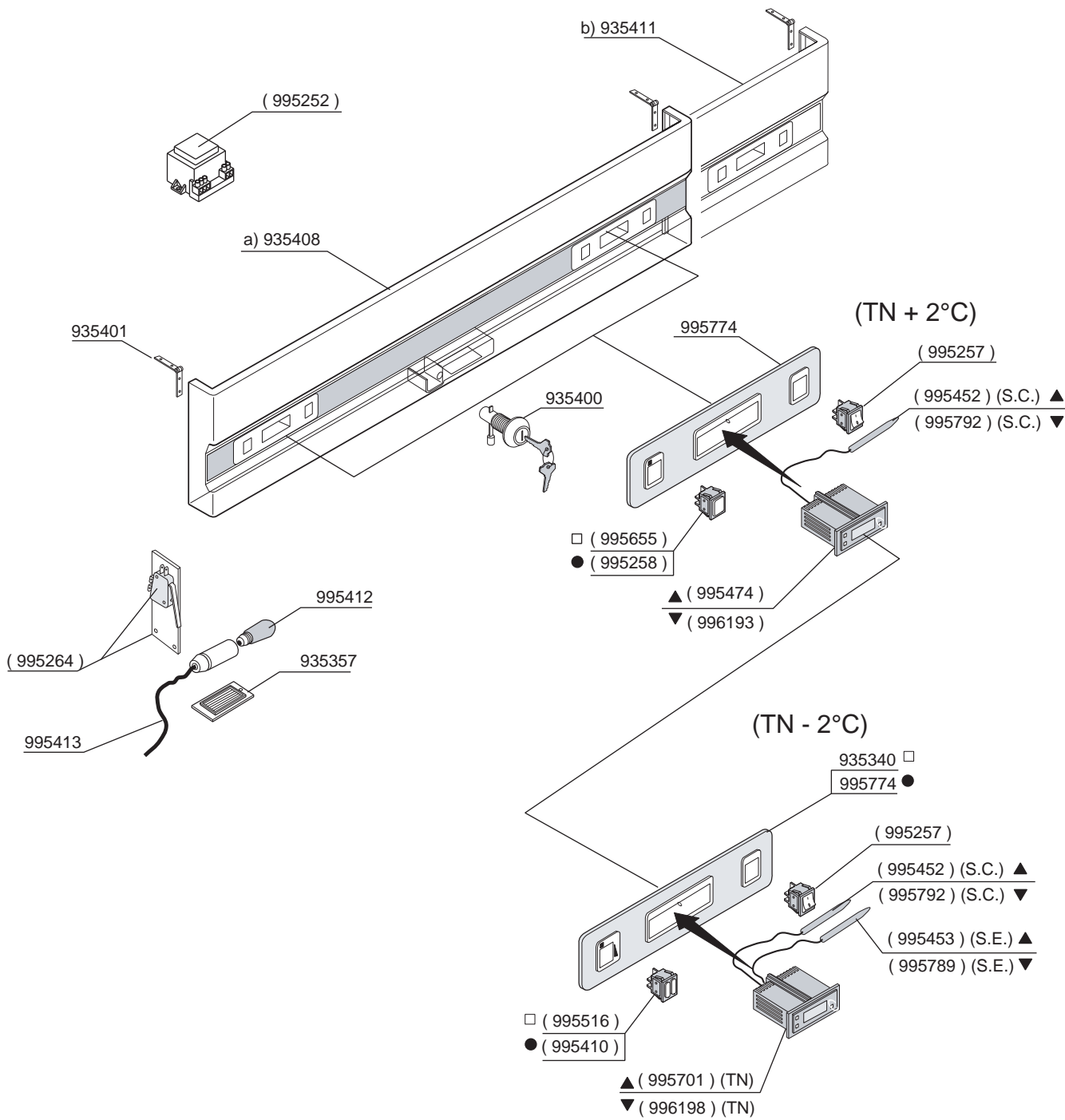
(.....) RICAMBIO CONSIGLIATO
(.....) SUGGESTED SPARE-PARTS

PANNELLO COMANDI ARMADIO "TN+TN" MECCANICO
CONTROL PANEL FOR MECH. "NORMAL-TEMP.+NORMAL TEMP." REF. CABINET

RIF. REF. Da matricola n°
From serial n°

- ARMADIO REFRIGERATO PORTE CIECHE (+2/+ 8 °C) REFRIGERATED CABINET BLIND DOORS (+2/+8 °C)
- ARMADIO REFRIGERATO PORTE CIECHE (-2/+ 8 °C) REFRIGERATED CABINET BLIND DOORS (-2/+8 °C)
- ARMADIO REFRIGERATO PORTE VETRO (-2/+8 °C) REFRIGERATED CABINET GLASS DOORS (-2/+8 °C)
- ARMADIO REFRIGERATO PORTE VETRO (+2/+8 °C) REFRIGERATER CABINET GLASS DOORS (+2/+8 °C)

930302/113



a) AR 1200/AR 1400
b) AR 2100

▲ S.E - SONDA EVAPORATORE (ROSSA) - EVAPORATOR PROBE (RED)
S.C. - SONDA CELLA (GRIGIA) - CELL PROBE (GREY)

▼ S.E - SONDA EVAPORATORE (BLACK - DEF) - EVAPORATOR PROBE (BLACK-DEF)
S.C. - SONDA CELLA (NERA - THERM) - CELL PROBE (BLACK-THERM)

(.....) RICAMBIO CONSIGLIATO
(.....) SUGGESTED SPARE-PARTS

PANNELLO COMANDO ARMADIO ELETTRONICO "TN+TN"
CONTROL PANEL FOR "NORMAL -TEMP + NORMAL TEMP" ELECT. REFR.CABINET

RIF.
REF.

Da matricola n°
From serial n°

●
□

PORTE VETRO GLASS DOORS
PORTE CIECHE SOLID DOORS

EWPC
▲
▼

950904/111
2003053000099
2003060300001

friulinox 33083 TAIEDO DI CHIONS
PORDENONE - ITALY

RIPRODUZIONE, ANCHE PARZIALE, VIETATA

ESP1001-(160)

