

ARMADIO GN 2/1 - GN 2/1 RIDOTTO
REFRIGERATING CABINET GN 2/1 - GN 2/1 REDUCED

RIF. REF. Da matricola n°
From serial n°

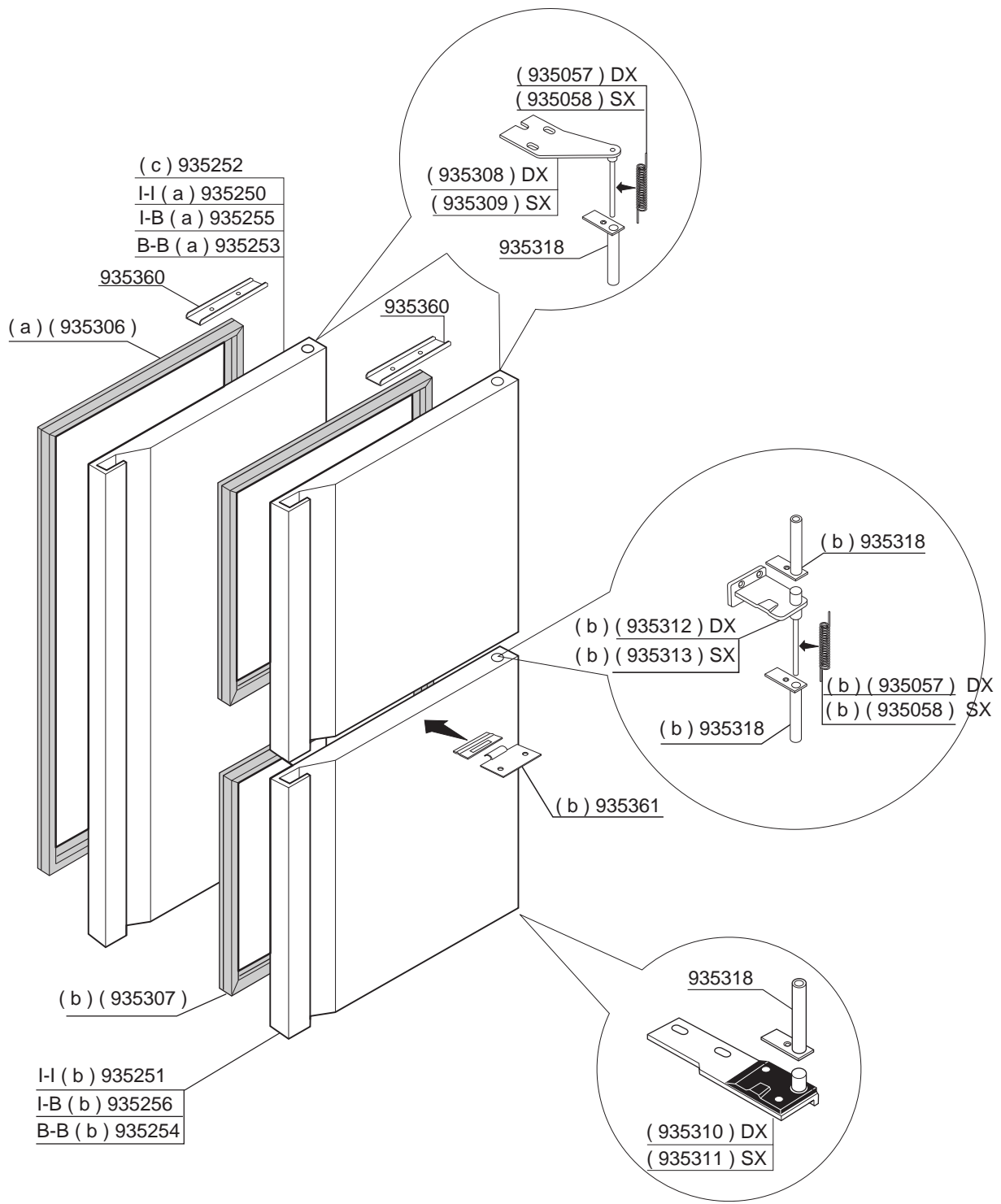
a ARMADIO CON PORTA INTERNA - FULL DOOR REFRIGERATING CABINET
b ARMADIO CON PORTA MEZZA - HALF DOOR REFRIGERATING CABINET
c ARMADIO CON SERVIZIO ITTICO - CABINET FOR FISH-SHOPS

930302/113

friulinox 33082 AZZANO DECIMO
PORDENONE - ITALY

RIPRODUZIONE, ANCHE PARZIALE, VIETATA

ESP1001-(01)

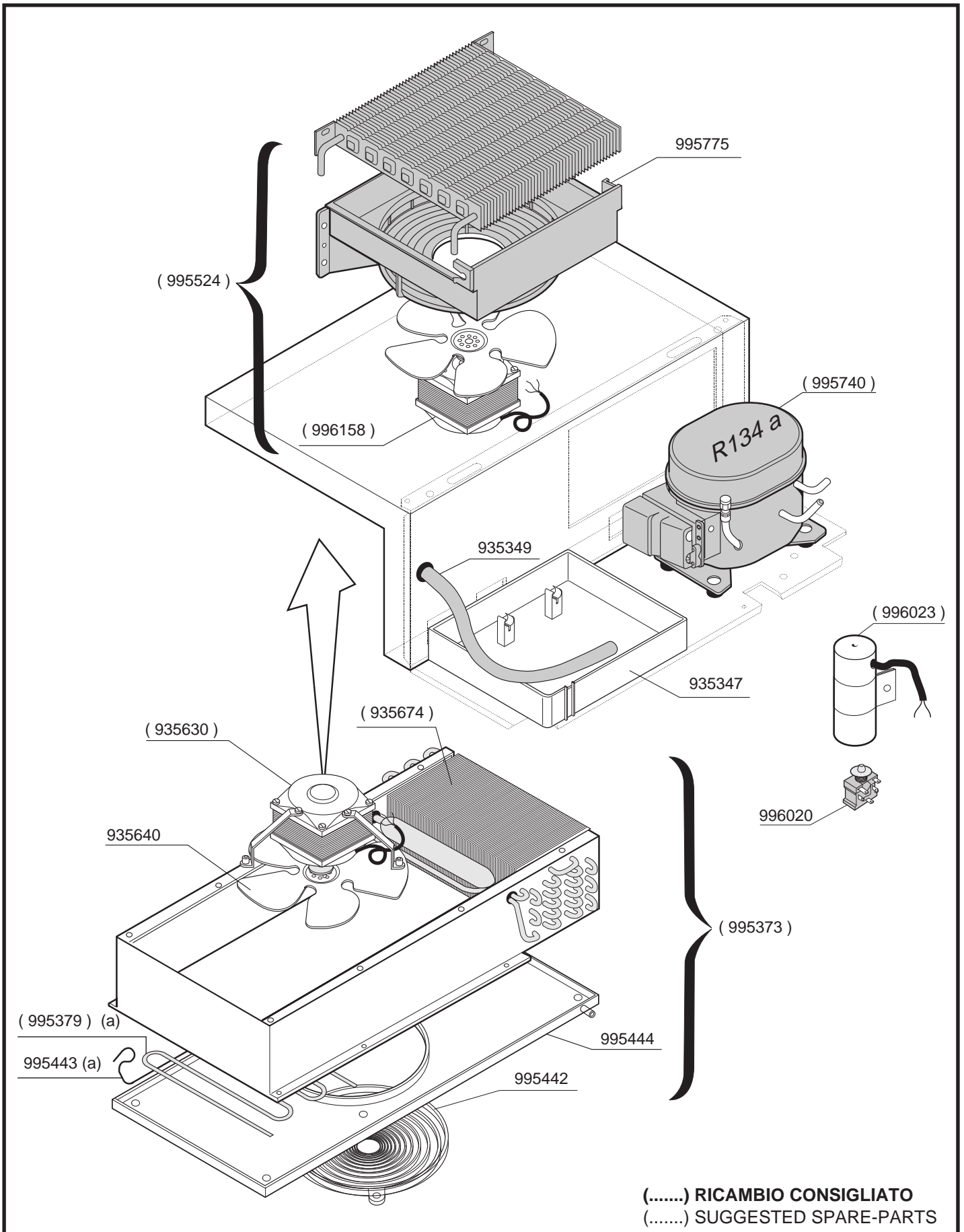


(I) = INOX - STAINLESS/STEEL
 (B) = BIANCO - WHITE

(.....) **RICAMBIO CONSIGLIATO**
 (.....) **SUGGESTED SPARE-PARTS**

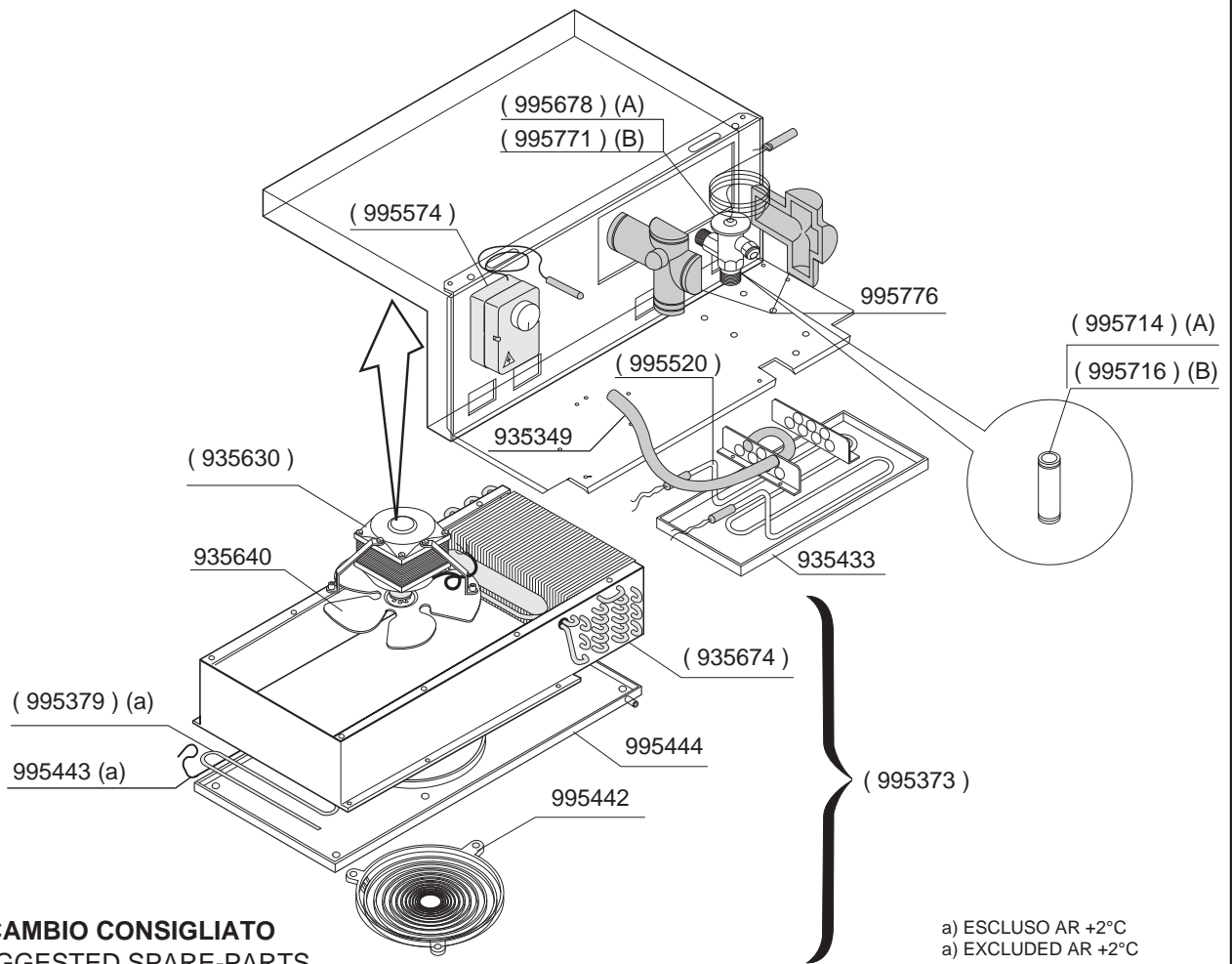
PORTE CIECHE SOLID DOORS		RIF. REF.	Da matricola n° From serial n°
a	PORTA INTERA FULL DOOR		930302/113
b	PORTA MEZZA HALF DOOR		
c	PORTA INTERA PASTICCERIA PROFONDITA' 700 - FULL DOOR CONFECTIONERY DEPTH 700		
friulinox 33083 TAIEDO DI CHIONS PORDENONE - ITALY		ESP1001-(11)	

RIPRODUZIONE, ANCHE PARZIALE, VIETATA



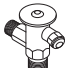





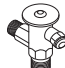

(.....) RICAMBIO CONSIGLIATO
 (.....) SUGGESTED SPARE-PARTS

IMPIANTO FRIGO "600TN" / "600 ITTICO" / "350 ITTICO" / "300 ITTICO" REFRIGERATED UNIT "600NT" / "600 FISH" / "350 FISH" / "300 FISH"		RIF. REF.	Da matricola n° From serial n°
a	ARMADIO REFRIGERATO (-2/+8 °C) (-4/+6 °C) REFRIGERATED CABINET (-2/+8 °C) (-4/+6 °C)	R134a	970210/111



(.....) RICAMBIO CONSIGLIATO
(.....) SUGGESTED SPARE-PARTS

a) ESCLUSO AR +2°C
a) EXCLUDED AR +2°C

ARMADI 1 TEMPERATURA ONE TEMPERAT.CABINETS			ARMADI 2 TEMPERATURE TWO TEMPERAT.CABINETS						ARMADI 3 TEMPERATURE THREE TEMP.CABINETS					
														
AR6 +2	A	A	ARR122	①	A	A	ARP141	①	A	A	ARRP	①	A	A
AR6 -2	A	A		②	A	A		②	A	A		②	/	/
AR6 PA	A	A	ARP122	①	A	A	ARF141	①	A	A		③	/	/
AR6 +2 VTR	A	A		②	A	A		②	A	B	ARRF	①	A	A
AR6 -2 VTR	A	A	ARF122	①	A	A	AFP141	①	B	B		②	/	/
AP6 -4	A	A		②	B	A		②	A	A		③	/	/
AF6 -20	A	A	AFP122	①	B	A	ARR142 VTR	①	A	A	ARRR21	①	A	A
AF6 PA	A	A		②	A	A		②	A	A		②	A	A
AR7 +2	A	A	ARR142	①	A	A	ARF142 VTR	①	A	A		③	A	A
AR7 -2	A	A		②	A	A		②	/	/		①	A	A
AR7 +2CAS	A	A	ARP142	①	A	A	ARR212	①	/	/	ARRP21	②	A	A
AR7 -2 CAS	A	A		②	A	A		②	A	A		③	A	A
AR7 +2 VTR	A	A	ARF142	①	A	A	ARP212	①	/	/	ARRF21	①	A	A
AR7 -2 VTR	A	A		②	B	B		②	A	A		②	A	A
AR7 PIZ	A	A	AFP142	①	B	B	ARF212	①	/	/		③	B	B
AR7 S/V	A	A		②	A	A		②	B	B		①	A	A
AR7 PA	A	A	ARP121	①	A	A	ARP211	①	/	/	ARFP21	②	B	B
AP7 -4	A	A		②	A	A		②	A	A		③	A	A
AP7 -4 CAS	A	A	ARF121	①	A	A	ARF211	①	/	/	ARRF21 VTR	①	A	A
AE7	A	A		②	A	A		②	B	B		②	A	A
AF7 -25	B	B	AFP121	①	B	A	ARR212 VTR	①	/	/		③	/	/
AF7 PA	B	B		②	A	A		②	A	A				
			ARR141	①	A	A	ARF VTR	①	/	/				
				②	A	A		②	/	/				

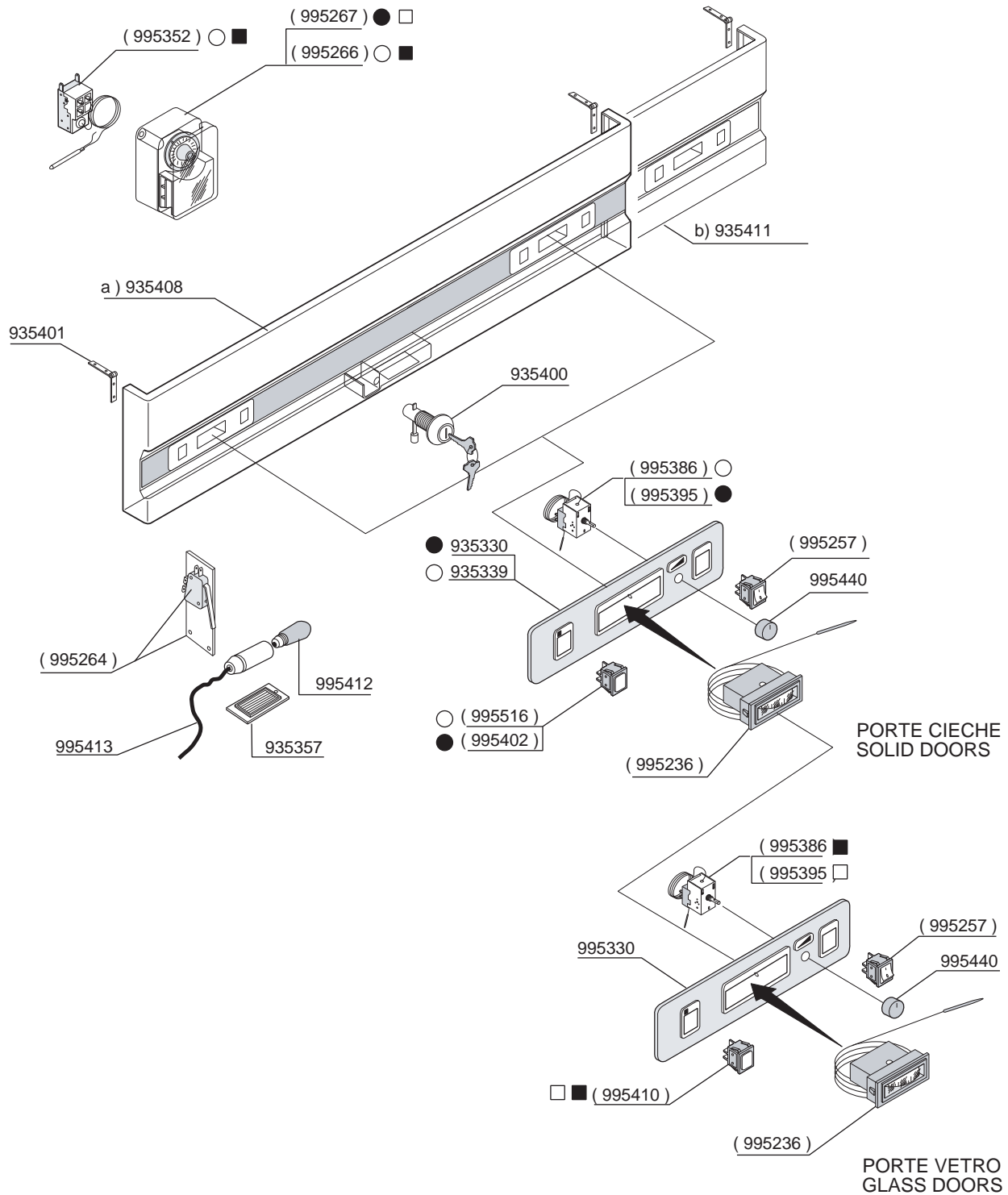
UNITA' EVAPORATRICE ARMADI PREDISPOSTI
EVAPORATING UNIT OF REMOTE CONTROLLED REFR.CABINETS

RIF.
REF.

Da matricola n°
From serial n°

R134a
R404A

951016/111



a) AR 1200/AR 1400
b) AR 2100

(.....) RICAMBIO CONSIGLIATO
(.....) SUGGESTED SPARE-PARTS

PANNELLO COMANDI ARMADIO "TN+TN" MECCANICO
CONTROL PANEL FOR MECH. "NORMAL-TEMP.+NORMAL TEMP." REF. CABINET

RIF. REF. Da matricola n°
From serial n°

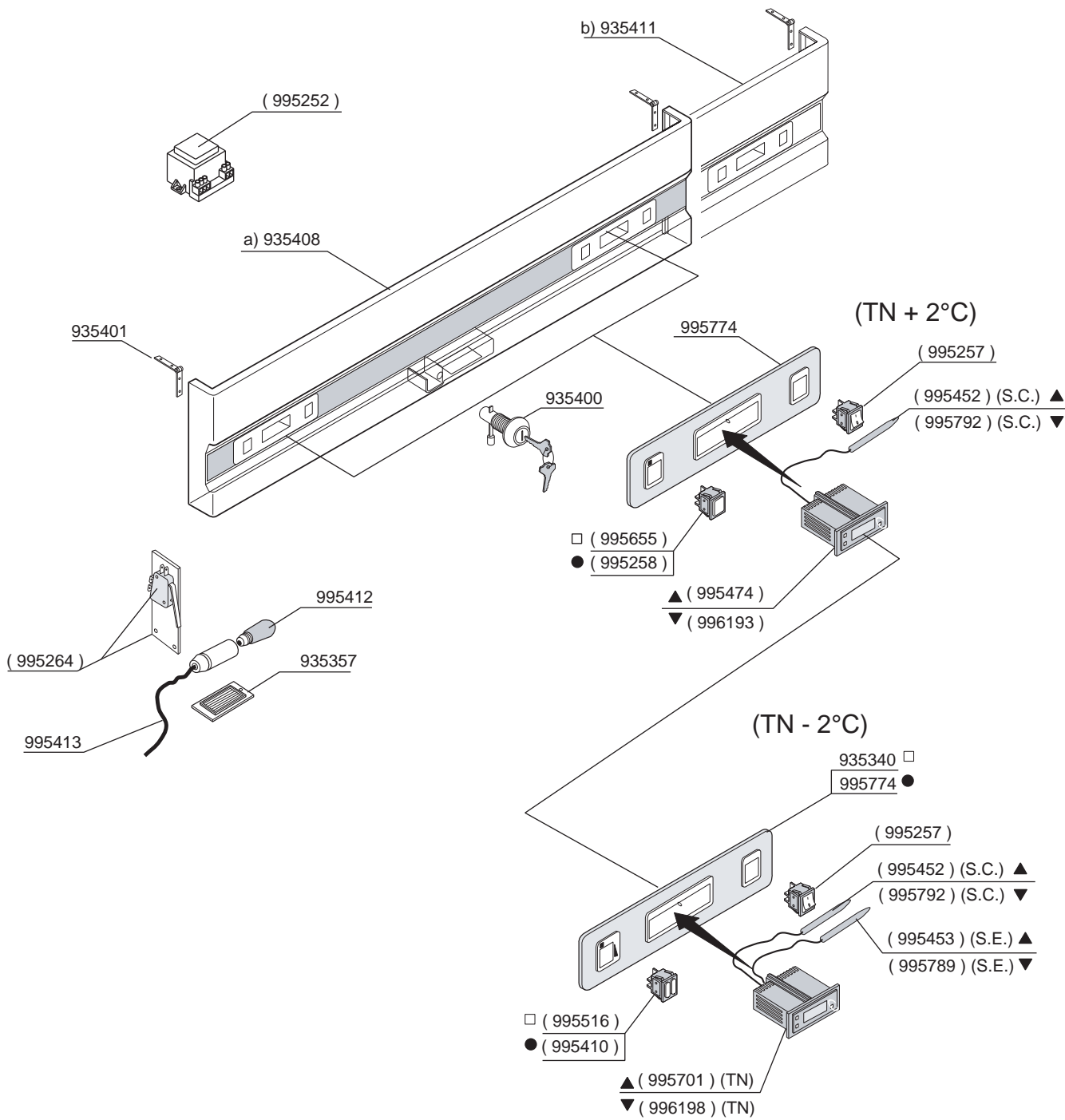
●	ARMADIO REFRIGERATO PORTE CIECHE (+2/+ 8 °C) REFRIGERATED CABINET BLIND DOORS (+2/+8 °C)
○	ARMADIO REFRIGERATO PORTE CIECHE (-2/+ 8 °C) REFRIGERATED CABINET BLIND DOORS (-2/+8 °C)
■	ARMADIO REFRIGERATO PORTE VETRO (-2/+8 °C) REFRIGERATED CABINET GLASS DOORS (-2/+8 °C)
□	ARMADIO REFRIGERATO PORTE VETRO (+2/+8 °C) REFRIGERATER CABINET GLASS DOORS (+2/+8 °C)

930302/113

friulinox 33083 TAIEDO DI CHIONS
PORDENONE - ITALY

RIPRODUZIONE, ANCHE PARZIALE, VIETATA

ESP1001-(110)



a) AR 1200/AR 1400
b) AR 2100

▲ S.E - SONDA EVAPORATORE (ROSSA) - EVAPORATOR PROBE (RED)
S.C. - SONDA CELLA (GRIGIA) - CELL PROBE (GREY)

▼ S.E - SONDA EVAPORATORE (BLACK - DEF) - EVAPORATOR PROBE (BLACK-DEF)
S.C. - SONDA CELLA (NERA - THERM) - CELL PROBE (BLACK-THERM)

(.....) RICAMBIO CONSIGLIATO
(.....) SUGGESTED SPARE-PARTS

PANNELLO COMANDO ARMADIO ELETTRONICO "TN+TN"
CONTROL PANEL FOR "NORMAL -TEMP + NORMAL TEMP" ELECT. REFR.CABINET

RIF.
REF.

Da matricola n°
From serial n°



PORTE VETRO GLASS DOORS
PORTE CIECHE SOLID DOORS

EWPC
▲
▼

950904/111
2003053000099
2003060300001

