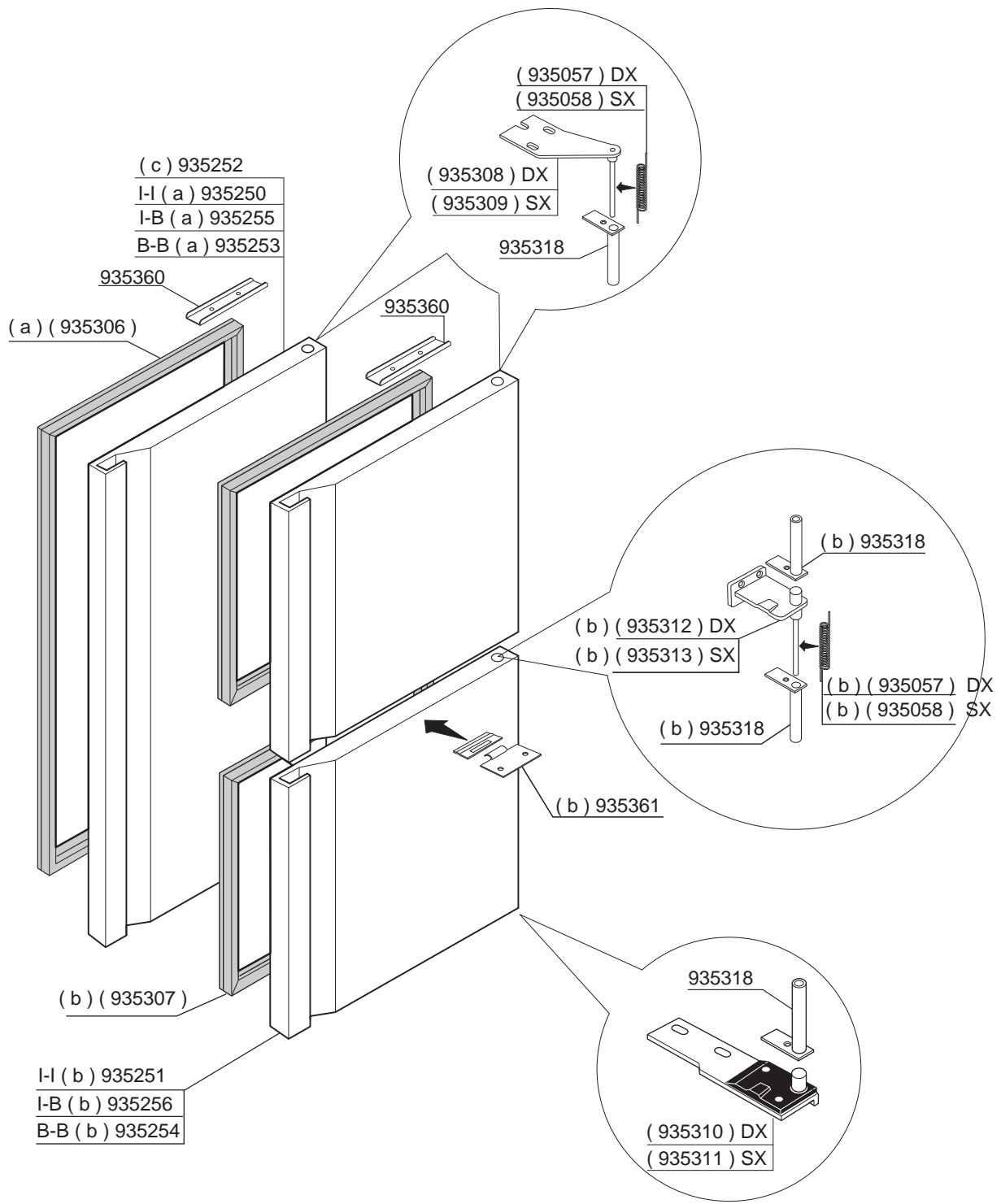


ARMADIO GN 2/1 - GN 2/1 RIDOTTO
REFRIGERATING CABINET GN 2/1 - GN 2/1 REDUCED

RIF. REF. Da matricola n°
From serial n°

- a ARMADIO CON PORTA INTERNA - FULL DOOR REFRIGERATING CABINET
- b ARMADIO CON PORTA MEZZA - HALF DOOR REFRIGERATING CABINET
- c ARMADIO CON SERVIZIO ITTICO - CABINET FOR FISH-SHOPS

930302/113

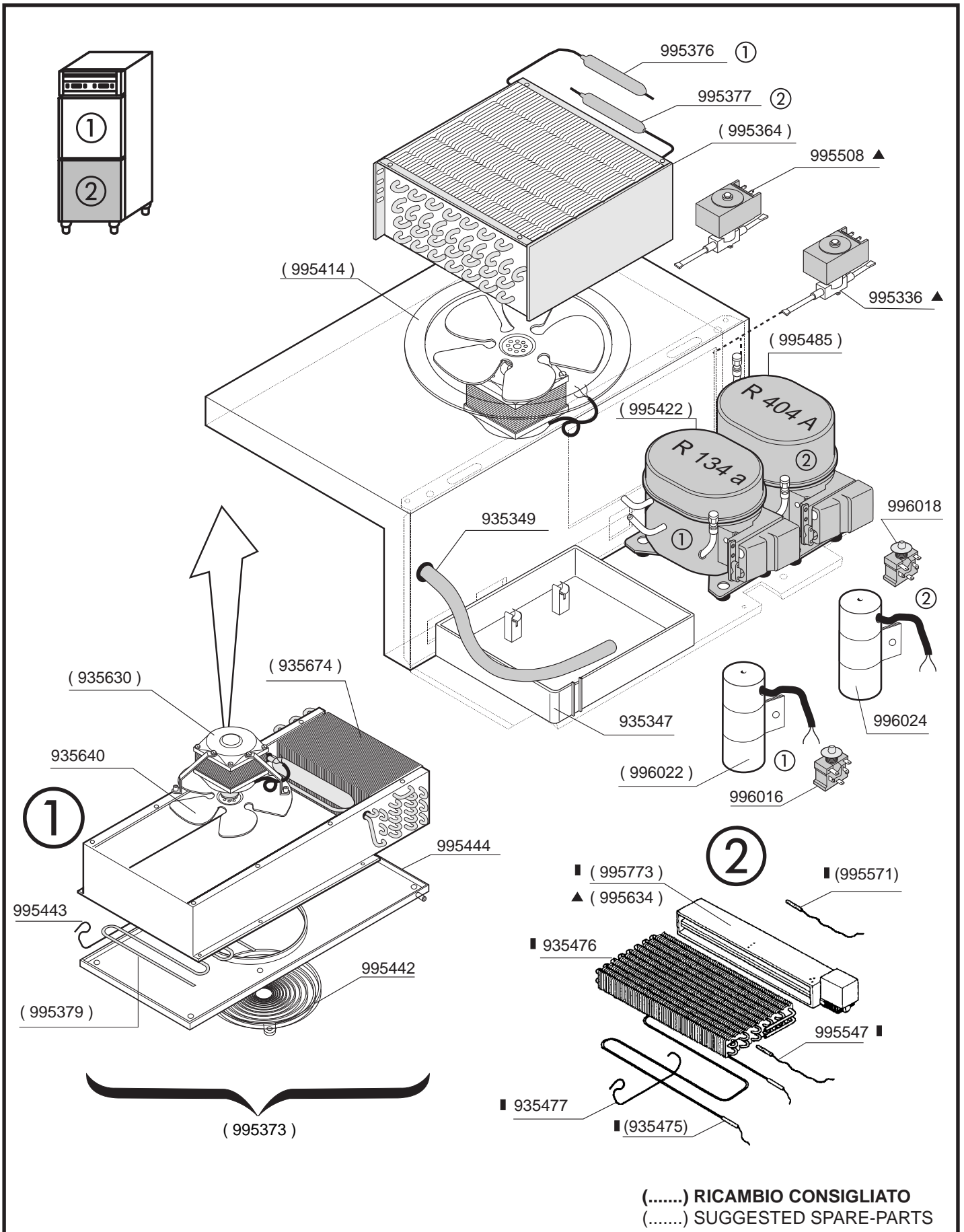


(I) = INOX - STAINLESS/STEEL
 (B) = BIANCO - WHITE

(.....) **RICAMBIO CONSIGLIATO**
 (.....) **SUGGESTED SPARE-PARTS**

PORTE CIECHE SOLID DOORS		RIF. REF.	Da matricola n° From serial n°
a	PORTA INTERA FULL DOOR		930302/113
b	PORTA MEZZA HALF DOOR		
c	PORTA INTERA PASTICCERIA PROFONDITA' 700 - FULL DOOR CONFECTIONERY DEPTH 700		
friulinox 33083 TAIEDO DI CHIONS PORDENONE - ITALY		ESP1001-(11)	

RIPRODUZIONE, ANCHE PARZIALE, VIETATA



IMPIANTO FRIGO "350TN+350BT"
REFRIGERATED UNIT "350NT+350 LT"

RIF. REF. Da matricola n°
From serial n°

R134a ▲ 940421/127
R404A ■ 980101001

friulinox 33083 TAIEDO DI CHIONS
PORDENONE - ITALY

RIPRODUZIONE, ANCHE PARZIALE, VIETATA

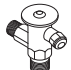
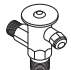
ESP1001-(42)

Cod.	Descrizione	Description
935347	VASCHETTA EVAP.CONDENSEA AR7 MNSC	TRAY FOR CONDENSATE EVAPORATION - AR7
935349	TUBO SCARICO CONDENSEA DX AR MNSC	PIPE (RIGHT) FOR CONDENSATE OUTLET
935475	RESISTENZA SBRINAMENTO CELLETTA AR 350	DEFROST HEATER AR 350
935476	EVAPORATORE AL-AL ARMADI	EVAPORATOR AL-AL CABINETS
935477	MOLLA FISS.RESISTENZE EVAP.AR7 2T	FIXING CLAMP FOR EVAP.HEATERS AR7 2T
935630	MOTORE 10W 230V-50/60HZ FIS.VITE	ENGINE 10W 230V-50/60HZ SCREW FIXING
935640	VENTOLA 230-23° ASPIR. 230 23 AA	FAN 230-23° ASPIR. 230 23AA
935674	EVAPORATORE 6R-6T AR6-7 MNSC	EVAPORATOR 6R-6T AR6-7 MNSC
995336	VALVOLA SOLENOIDE 1/4' A SALDARE 220V	SOLENOID VALVE 1/4'
995364	CONDENSATORE 2 CIRCUITI AR 2T MNSC	DUAL-CIRCUIT CONDENSER AR2T
995373	ASSIEME EVAPORATORE 6R-6T AR6-7 MNSC	S/S EVAPORATOR 6R-6T AR6-7
995376	FILTRO DEIDRATORE 15 GR 6X3	DEHYDRATOR FILTER 15GR.
995377	FILTRO DEIDRATORE 25 GR 6X3	DEHYDRATOR FILTER 25GR. 6X3
995379	RESISTENZA EVAPORATORE AR7 MNSC	EVAPORTOR HEATER AR7
995414	VENTILATORE ASP.NA 10/20/230/28 AR	FAN 10/20/230/28 AR
995422	COMPRESSORE 4,85CC B5132Z R134A	COMPRESSOR B5132Z-R134A
995442	GRIGLIA PROTEZ.VENTILAT.EVAP.MNSC	PROTECTION GRID FOR EVAPORATOR FAN
995443	MOLLA FISS.RESISTENZA EVAPOR.MNSC	FLAT SPRING TO FIX EVAPORATOR HEATER
995444	COPERCHIO EVAPORATORE AR6-7 MNSC	EVAPORATOR COVERING AR6-7 MNSC
995485	COMPRESSORE 14,5CC T2155GK CSIR R404A	COMPRESSOR T2155GK
995508	VALVOLA SOLENOIDE 3/8' A SALDARE	SOLENOID VALVE 3/8'
995547	SONDA PTC ROSSA SILICONE L=5000 EVAPORAT	RED FEELER PTC SILICONE L=5000 EVAPORAT.
995571	SONDA PTC GRIGIA SILICONE L=5000 CELLA	PTC PROBE - GREY L=5000
995634	VENTILATORE TANGENZIALE D=60 L=180	VENTILATOR D=60 L = 180
995773	VENTILATORE TANGENZIALE D=60 L=270	TENG.VENTILATOR D=60 L=270
996016	RELE' AVVIAMENTO DANFOSS '117U6000	STARTING RELAIS DANFOSS '117U6000'
996018	RELE' AVVIAMENTO DANFOSS '117U6005'	STARTING RELAIS DANFOSS '117U6005'
996022	CONDENSATORE EL. DANFOSS '117U5014'	CONDENSER EL. DANFOSS '117U5014'
996024	CONDENSATORE EL. DANFOSS '117U5017'	CONDENSER EL. DANFOSS '117U5017'

IMPIANTO FRIGO "350 TN" + "350 BT"
REFRIGERATED UNIT "350 NT" + "350 LT "

ARR 7 / ARP 7 / ARF 7

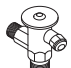
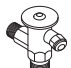
(995373) { (995379) 995443 935640 (995630) 935442 935444 (935674) 935433 995520 995776 935349 (995574) (995678) (A) (995771) (B) (995714) (B) (995713) (A) ① ②

			
ARR 7	①	A	A
	②	A	A
ARP 7	①	A	A
	②	A	A
ARF 7	①	A	A
	②	B	B

(.....) RICAMBIO CONSIGLIATO
(.....) SUGGESTED SPARE-PARTS

AFR 7

(995373) { (995379) 995443 935640 (995630) 935442 935444 (935674) 935433 995520 995776 935349 (995574) (995771) (B) (995678) (A) (995713) (A) (995714) (B) ① ②

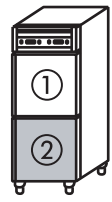
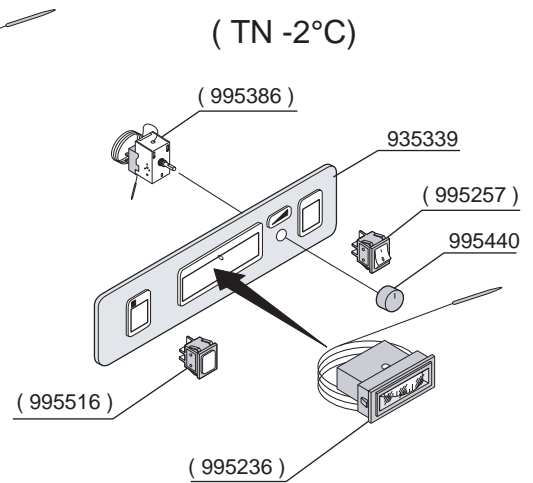
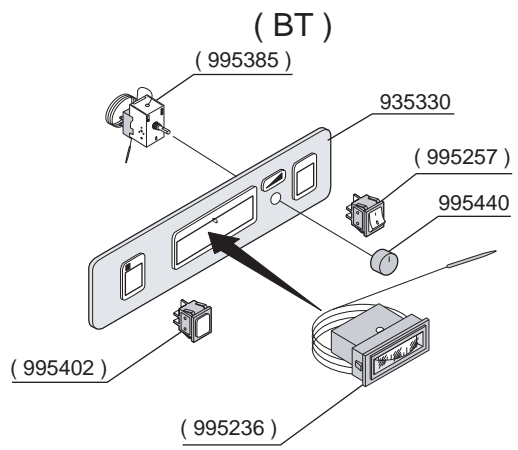
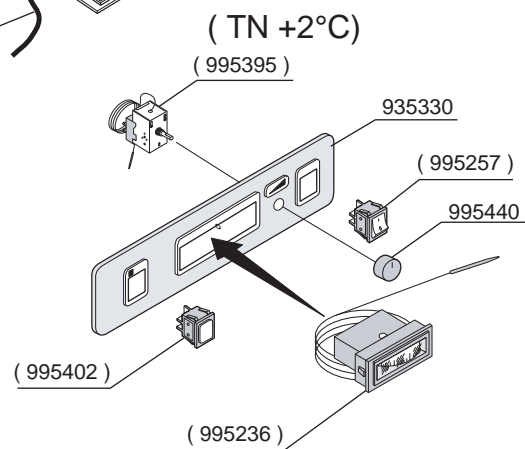
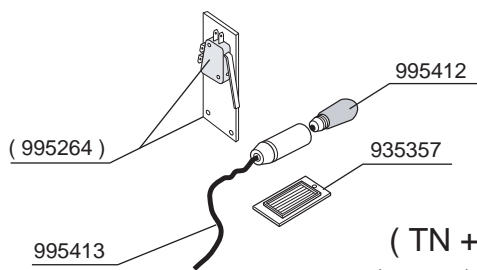
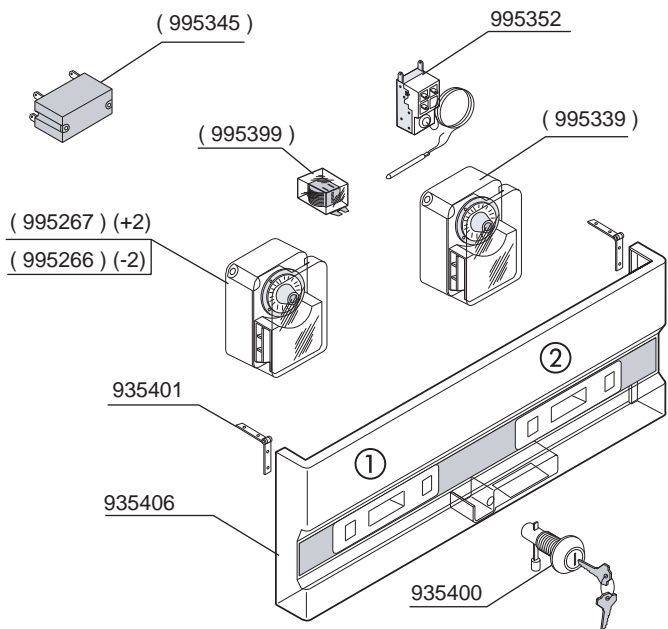
			
AFR 7	①	A	A
	②	B	B

(.....) RICAMBIO CONSIGLIATO
(.....) SUGGESTED SPARE-PARTS

UNITA' EVAPORATRICE ARMADI PREDISPOSTI
EVAPORATING UNIT OF REMOTE CONTROLLED REFR. CABINETS

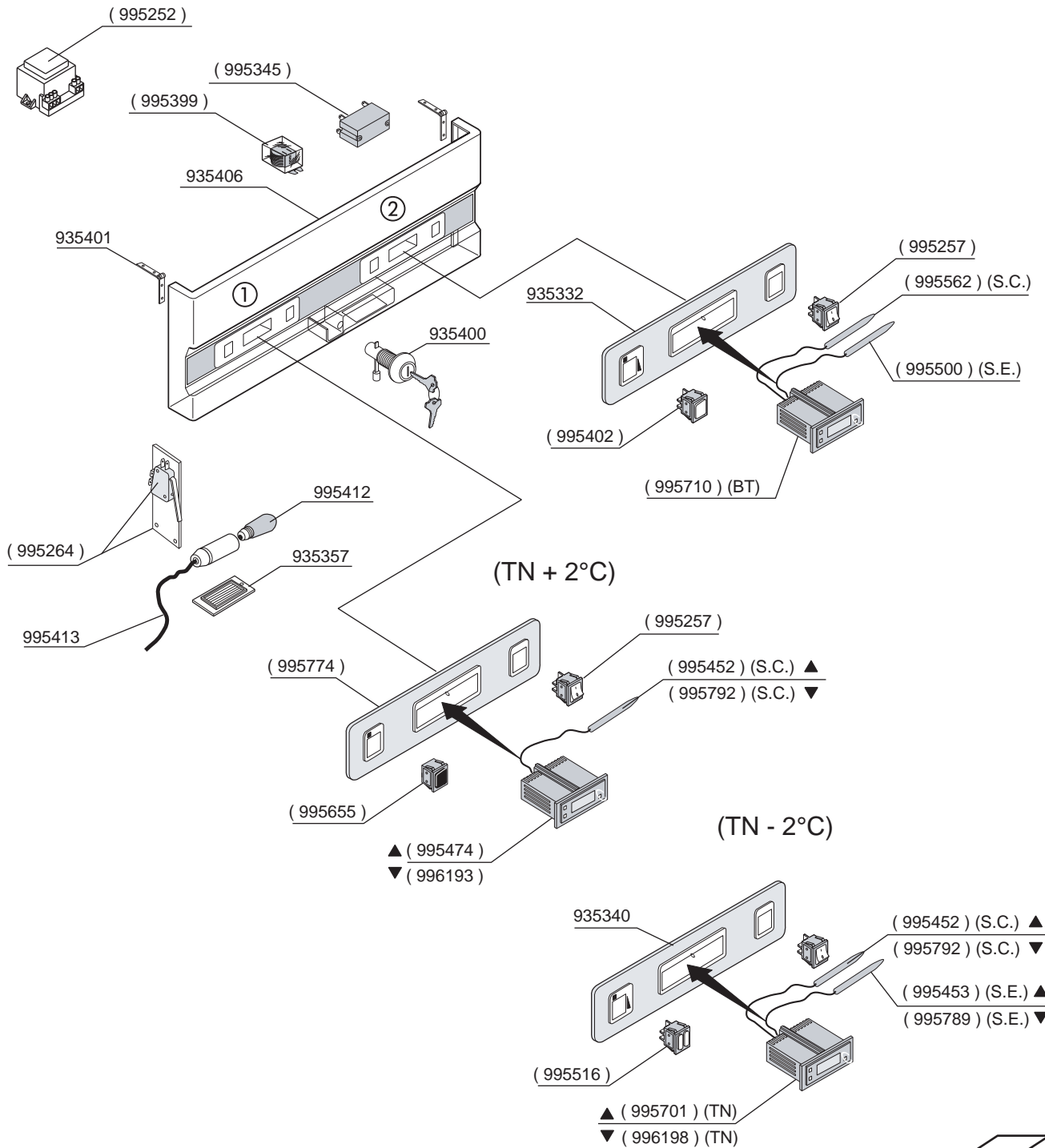
RIF. REF. Da matricola n°
From serial n°

R134a R404A 951016/111



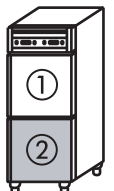
(.....) RICAMBIO CONSIGLIATO
(.....) SUGGESTED SPARE-PARTS

PANNELLO COMANDI ARMADIO "350TN+350BT" MECCANICO CONTROL PANEL FOR MECH. CABINET "350NT+350LT"		RIF. REF.	Da matricola n° From serial n°
			930302/113



- ▲ S.E - SONDA EVAPORATORE (ROSSA) - EVAPORATOR PROBE (RED)
- ▼ S.C. - SONDA CELLA (GRIGIA) - CELL PROBE (GREY)
- ▲ S.E - SONDA EVAPORATORE (BLACK - DEF) - EVAPORATOR PROBE (BLACK-DEF)
- ▼ S.C. - SONDA CELLA (NERA - THERM) - CELL PROBE (BLACK-THERM)

(.....) **RICAMBIO CONSIGLIATO**
 (.....) **SUGGESTED SPARE-PARTS**



PANNELLO COMANDI ARMADIO "350TN + 350BT" ELETTRONICO CONTROL PANEL FOR "350 NORMAL -TEMP + 350 LOW TEMP" ELECTRONIC REFR. CABINET		RIF. REF. Da matricola n° From serial n°
		EWPC 950904/111 ▲ 2003053000099 ▼ 2003060300001
friulinox 33083 TAIEDO DI CHIONS PORDENONE - ITALY		RIPRODUZIONE, ANCHE PARZIALE, VIETATA ESP1001-(158)

Cod.	Descrizione	Description
935332	MASCHERINA COMANDI AR BT-ITT ELETT.	CONTROL PANEL FREEZER
935340	MASC.COMANDI AR TN UR% MIN/MAX ELET	CONTROL PANEL CHILLER
935357	VETRINO PROTEZIONE LAMPADA AR MNSC	LAMP PROTECTION GLASS
935400	SERRATURA A CHIAVE X AR MNSC/22	KEY-LOCKING DEVICE FOR REFR.CUPBOARDS
935401	KIT CERNIERA PER CRUSCOT.AR MNSC/22	HINGE KIT FOR FRONT PANEL
935406	CRUSCOTTO BLU MECCAN AR 7 2T MNSC/	BLUE FRONT PANEL FOR MECH.AR7 2T CUPB.
995252	TRASFORMATORE 3VA 230/12V VDE	TRANSFORMER 3VA 220/12V VDE
995257	INTERRUTTORE GENERALE VERDE PER AR	MAIN SWITCH (GREEN)
995264	MICROINTERRUTTORE PORTA AR	DOOR MICROSWITCH
995345	RELE'DI POTENZA 30A 250V	POWER RELAY 30A
995399	RELE' 60.62 2 SCAMBI 10A MNSC	RELAY 'FINDER' 10A
995402	LAMPADA SPIA GIALLA AR	YELLOW LAMP TR
995412	LAMPADA TUBOLARE 10W E14 AR MNSC	TUBULAR LAMP 10W E14
995413	CAVO CON PORTALAMPADA AR MNSC	BULB SOCKET+WIRE
995452	SONDA PTC GRIGIA SILIC.L=1500 CELLA	PTC PROBE - GREY L=1500
995453	SONDA PTC ROSSA SILIC.L=1500 EVAPOR	SILIC.PTC EVAPORATOR RED PROBE L=1500
995474	TELETERMOSTATO EWPC961 TN°	DIGITAL ELECTRONIC THERMOSTAT EWPC961 NT
995500	SONDA PTC ROSSA SILIC.L=2500 EVAPOR	PTC PROBE - RED L=2500
995516	DEVIATORE VERDE+SPIA GIALLA	GREEN SWICTH + YELLOW LAMP
995562	SONDA PTC GRIGIA SILIC.L=2500 CELLA	PTC GREY PROBE L=2500
995655	TAPPO INTERRUTTORE NERO	BLACK COVERING FOR SWITCH
995701	TELETERMOSTATO EWPC 974 AR TN	DIGITAL ELEC.THERMOSTAT EWPC 974 CHILLER
995710	TELETERMOSTATO EWPC 974 ARR 350 TN	DIGITAL THERMOSTAT EWPC974 ARR350 CHILL
995774	MASCHERINA COMANDI AR TR NEUTRA	CONTROL PANEL B209 - AR TR NEUTRAL
995789	SONDA NTC NERA SBRIN. L=1500 PVC	NTC PROBE - BLACK DEFROST PVC L=1500
995792	SONDA NTC NERA TERM. L=1500 PVC	NTC PROBE - BLACK THERM. PVC L=1500
996193	TELETERMOSTATO ID 961	DIGITAL ELEC.THERMOSTAT ID 961
996198	TELETERMOSTATO ID 974 TN	DIGITAL ELEC.THERMOSTAT ID 974 NT