

ARMADIO GN 2/1 - GN 2/1 RIDOTTO
REFRIGERATING CABINET GN 2/1 - GN 2/1 REDUCED

RIF. REF. Da matricola n°
From serial n°

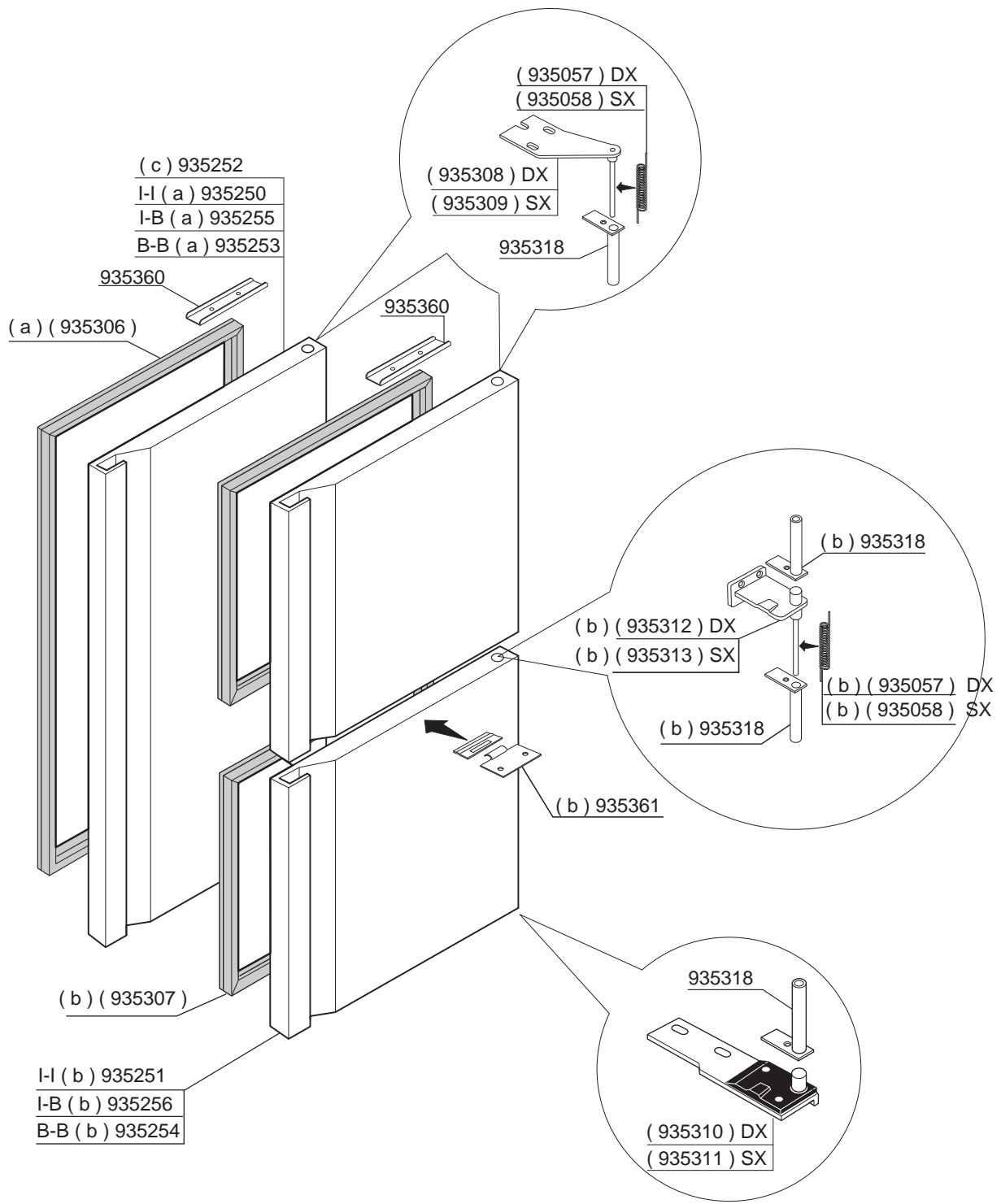
a ARMADIO CON PORTA INTERNA - FULL DOOR REFRIGERATING CABINET
b ARMADIO CON PORTA MEZZA - HALF DOOR REFRIGERATING CABINET
c ARMADIO CON SERVIZIO ITTICO - CABINET FOR FISH-SHOPS

930302/113

friulinox 33082 AZZANO DECIMO
PORDENONE - ITALY

RIPRODUZIONE, ANCHE PARZIALE, VIETATA

ESP1001-(01)

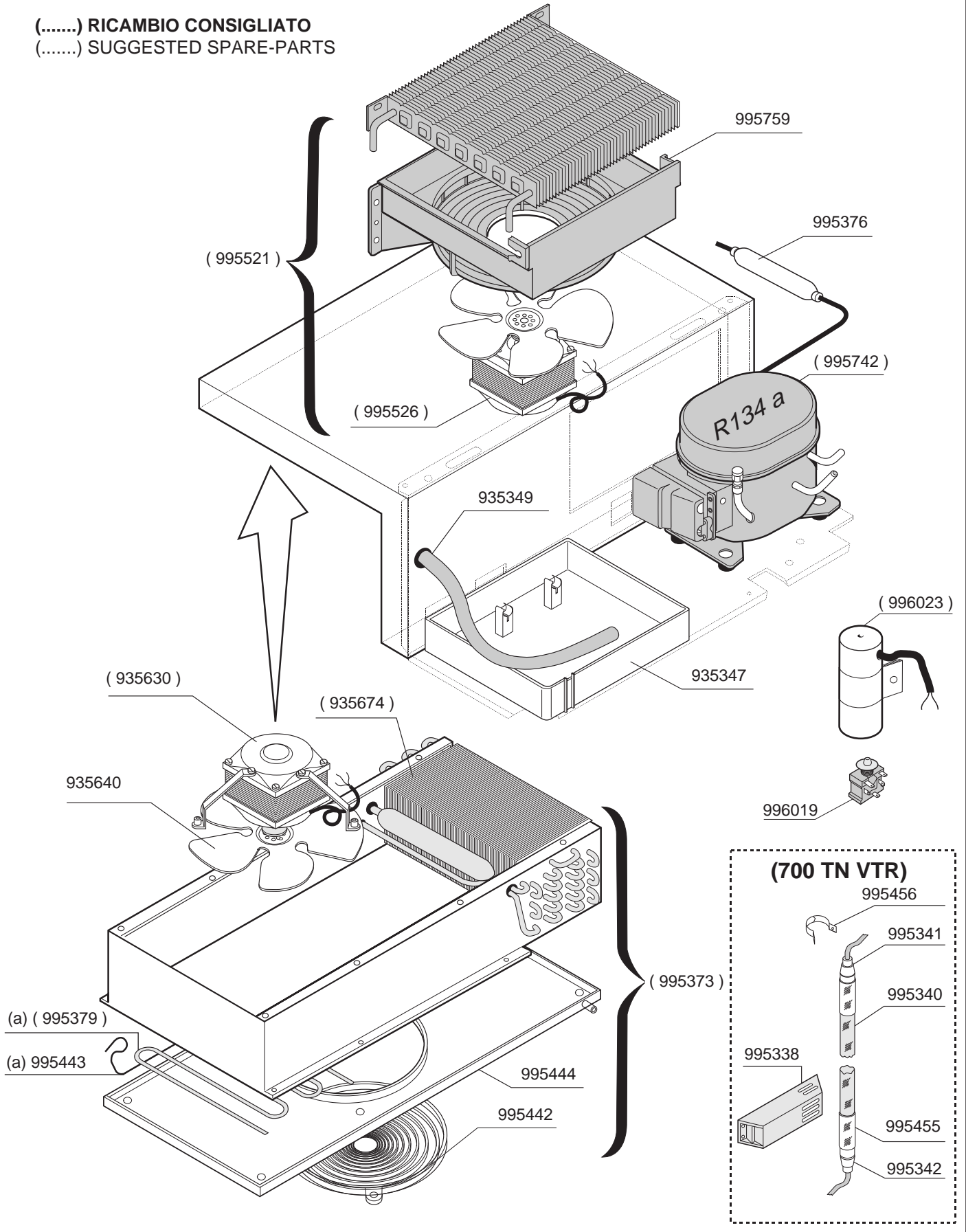


(I) = INOX - STAINLESS/STEEL
 (B) = BIANCO - WHITE

(.....) RICAMBIO CONSIGLIATO
(.....) SUGGESTED SPARE-PARTS

PORTE CIECHE SOLID DOORS		RIF. REF.	Da matricola n° From serial n°
a	PORTA INTERA FULL DOOR		930302/113
b	PORTA MEZZA HALF DOOR		
c	PORTA INTERA PASTICCERIA PROFONDITA' 700 - FULL DOOR CONFECTIONERY DEPTH 700		
friulinox 33083 TAIEDO DI CHIONS PORDENONE - ITALY		RIPRODUZIONE, ANCHE PARZIALE, VIETATA ESP1001-(11)	

(.....) RICAMBIO CONSIGLIATO
 (.....) SUGGESTED SPARE-PARTS



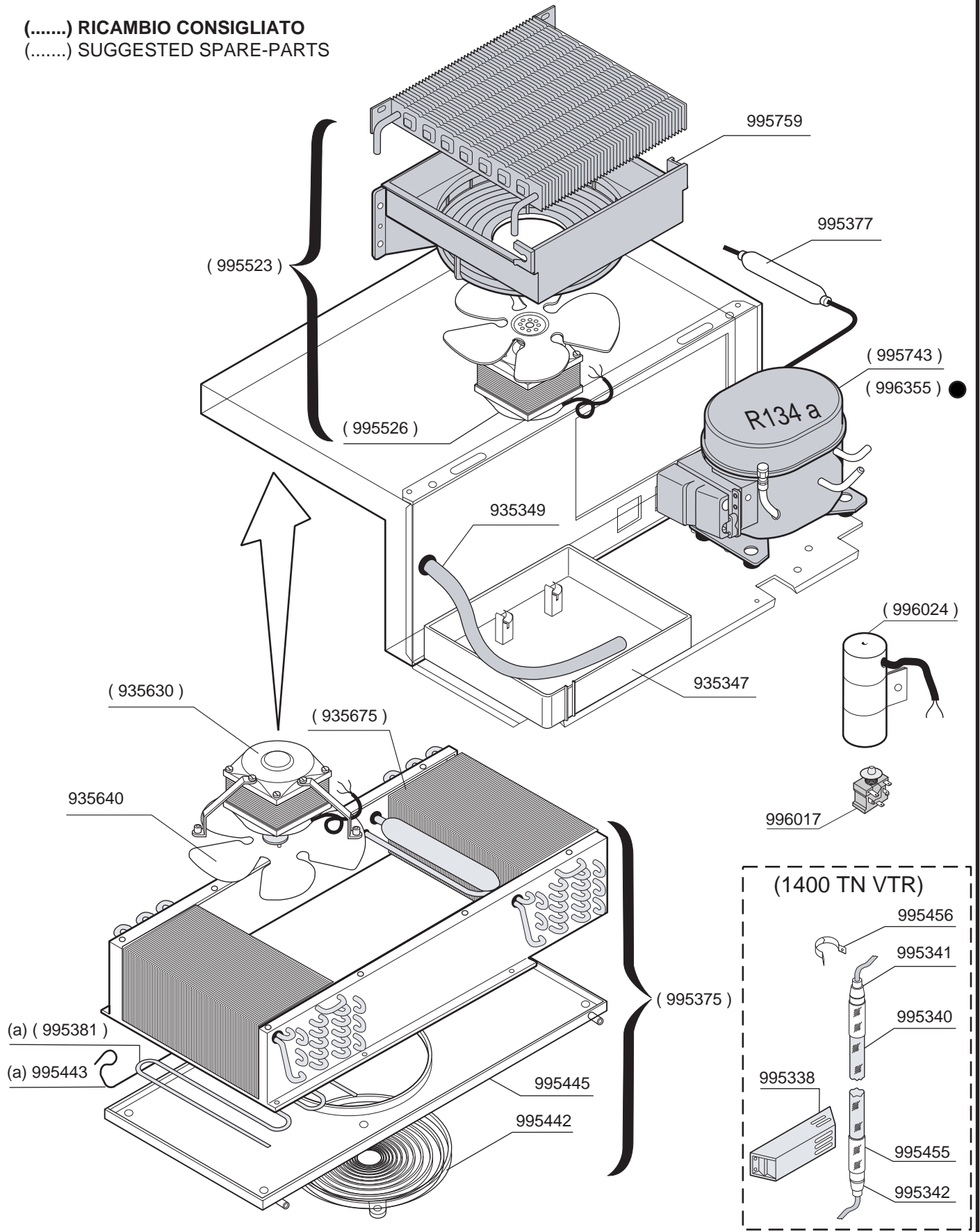
IMPIANTO FRIGO "700 TN"/ "700 TN VTR" "700 TN CON CASSETTI"/"TN 750"
 REFRIGERATED UNIT "700 NT" / "700 NT VTR" / "700 NT WITH DRAWERS"/"NT 750"

RIF. REF. Da matricola n°
 From serial n°

a ARMADIO REFRIGERATO (-2/+8°C) REFRIGERATED CABINET (-2/+8°C)

R 134a 960708/109

(.....) RICAMBIO CONSIGLIATO
 (.....) SUGGESTED SPARE-PARTS



IMPIANTO FRIGO "1400 TN" / "1400 TN VTR" / "1400 ITTICO"
 REFRIGERATED UNIT "1400 NT" / "1400 NT VTR" / "1400 FISH"

RIF.
REF.

Da matricola n°
From serial n°

a ARMADIO REFRIGERATO (-2/+8°C) REFRIGERATED CABINET (-2/+8°C)

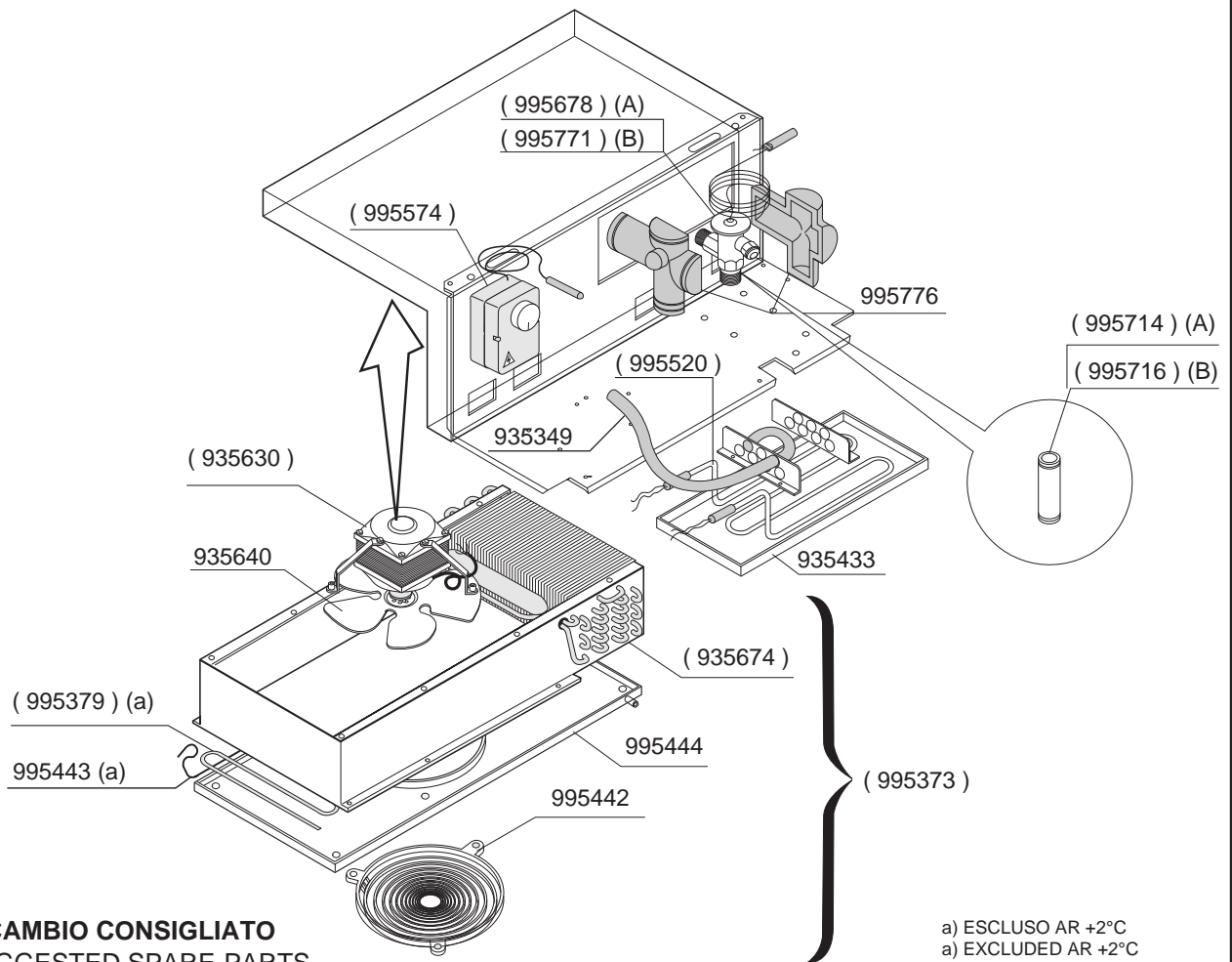
R 134a

961014/110
● 20060306000001

friulinox 33083 TAIEDO DI CHIONS
 PORDENONE - ITALY

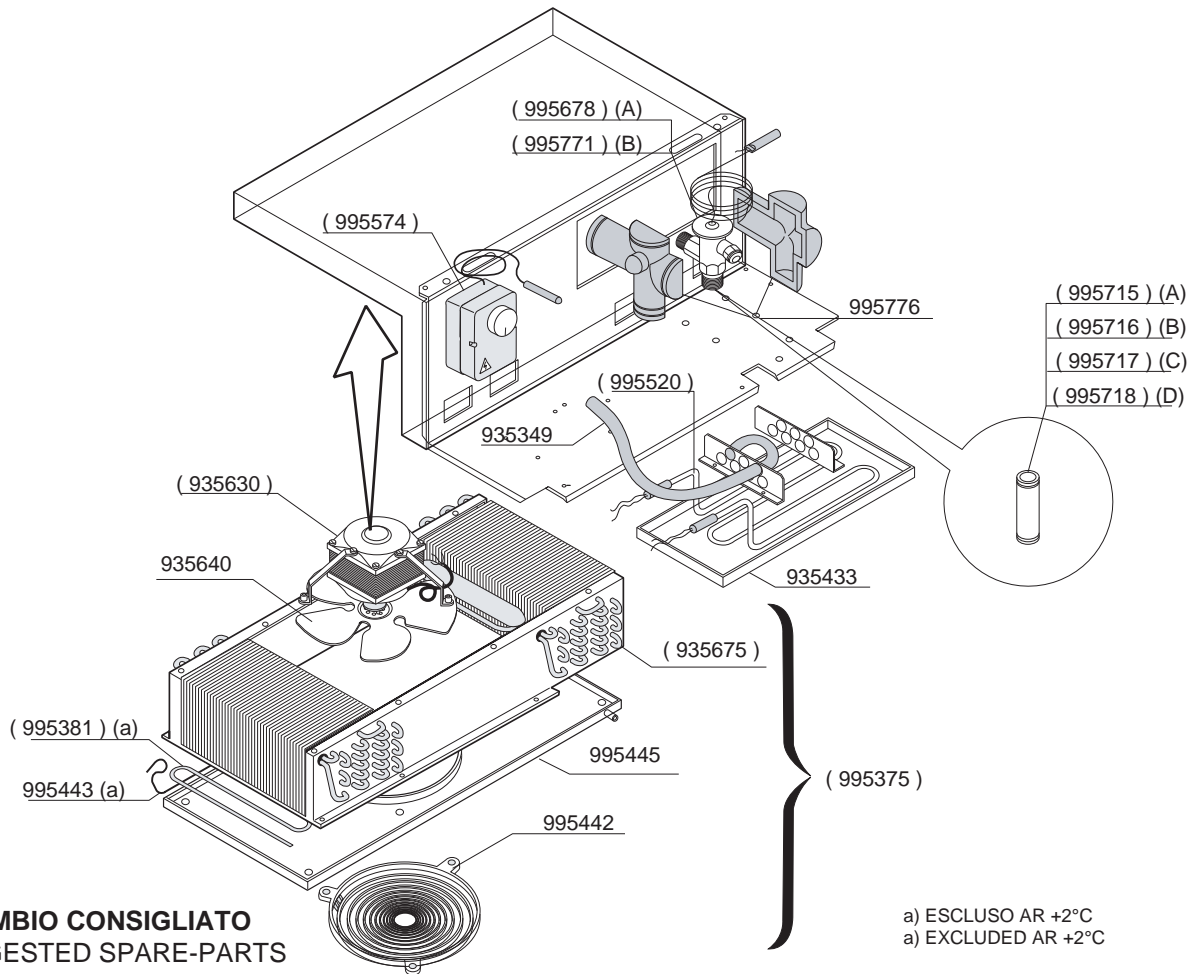
RIPRODUZIONE, ANCHE PARZIALE, VIETATA

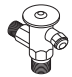



ESP1001-(31)



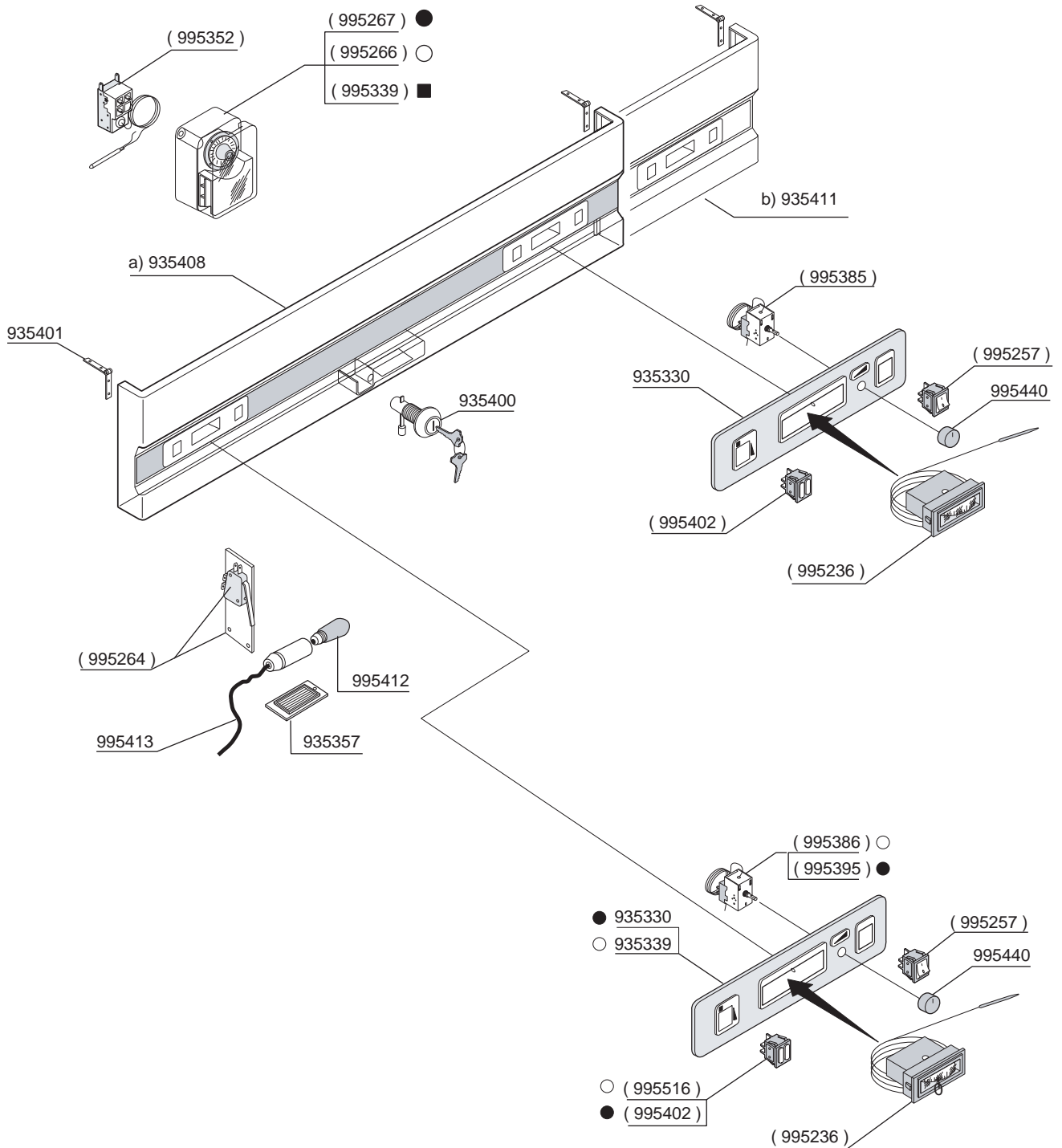
ARMADI 1 TEMPERATURA ONE TEMPERAT.CABINETS			ARMADI 2 TEMPERATURE TWO TEMPERAT.CABINETS						ARMADI 3 TEMPERATURE THREE TEMP.CABINETS					
AR6 +2	A	A	ARR122	①	A	A	ARP141	①	A	A	ARRP	①	A	A
AR6 -2	A	A		②	A	A		②	A	A		②	/	/
AR6 PA	A	A	ARP122	①	A	A	ARF141	①	A	A		③	/	/
AR6 +2 VTR	A	A		②	A	A		②	A	B	ARRF	①	A	A
AR6 -2 VTR	A	A	ARF122	①	A	A	AFP141	①	B	B		②	/	/
AP6 -4	A	A		②	B	A		②	A	A		③	/	/
AF6 -20	A	A	AFP122	①	B	A	ARR142 VTR	①	A	A	ARRR21	①	A	A
AF6 PA	A	A		②	A	A		②	A	A		②	A	A
AR7 +2	A	A	ARR142	①	A	A	ARF142 VTR	①	A	A		③	A	A
AR7 -2	A	A		②	A	A		②	/	/		①	A	A
AR7 +2CAS	A	A	ARP142	①	A	A	ARR212	①	/	/	ARRP21	②	A	A
AR7 -2 CAS	A	A		②	A	A		②	A	A		③	A	A
AR7 +2 VTR	A	A	ARF142	①	A	A	ARP212	①	/	/	ARRF21	①	A	A
AR7 -2 VTR	A	A		②	B	B		②	A	A		②	A	A
AR7 PIZ	A	A	AFP142	①	B	B	ARF212	①	/	/		③	B	B
AR7 S/V	A	A		②	A	A		②	B	B		①	A	A
AR7 PA	A	A	ARP121	①	A	A	ARP211	①	/	/	ARFP21	②	B	B
AP7 -4	A	A		②	A	A		②	A	A		③	A	A
AP7 -4 CAS	A	A	ARF121	①	A	A	ARF211	①	/	/	ARRF21 VTR	①	A	A
AE7	A	A		②	A	A		②	B	B		②	A	A
AF7 -25	B	B	AFP121	①	B	A	ARR212 VTR	①	/	/		③	/	/
AF7 PA	B	B		②	A	A		②	A	A				
			ARR141	①	A	A	ARF VTR	①	/	/				
				②	A	A		②	/	/				

UNITA' EVAPORATRICE ARMADI PREDISPOSTI EVAPORATING UNIT OF REMOTE CONTROLLED REFR.CABINETS		RIF. REF.	Da matricola n° From serial n°
		R134a R404A	951016/111



ARMADI 1 TEMPERATURA ONE TEMPERAT.CABINETS			ARMADI 2 TEMPERATURE TWO TEMPERAT.CABINETS					
								
AR12 +2	A	A	ARR212	① A	A			
AR12 -2	A	A		② /	/			
AR12 PA	A	A	ARP212	① A	A			
AR12 +2 VTR	A	A		② /	/			
AR12 -2 VTR	A	A	ARF212	① A	A			
AF12 -20	B	B		② /	/			
AF12 PA	B	B	ARP211	① A	A			
AR12 -20VTR	B	C		② /	/			
AR14 +2	A	A	ARF211	① A	A			
AR14 -2	A	A		② /	/			
AR14 +2 VTR	A	A	ARR212 VTR	① A	A			
AR14 -2 VTR	A	A		② /	/			
AR14 PIZ	A	A	ARF VTR	① A	A			
AR14 S/V	A	A		② /	/			
AR14 PA	A	A						
AP14 -4	A	A						
AE14	A	A						
AF14	B	B						
AR21 +2 VTR	A	B						
AR21 -2 VTR	A	B						
AR21 S/V	A	B						
AP21 -4	A	B						
AE21	A	D						
AR21 +2	A	B						
AR21 -2	A	B						

UNITA' EVAPORATRICE ARMADI PREDISPOSTI EVAPORATING UNIT OF REMOTE CONTROLLED REFR. CABINETS		RIF. REF.	Da matricola n From serial n
		R134a R404A	951016/111



a) AR 1200/AR 1400
b) AR 2100

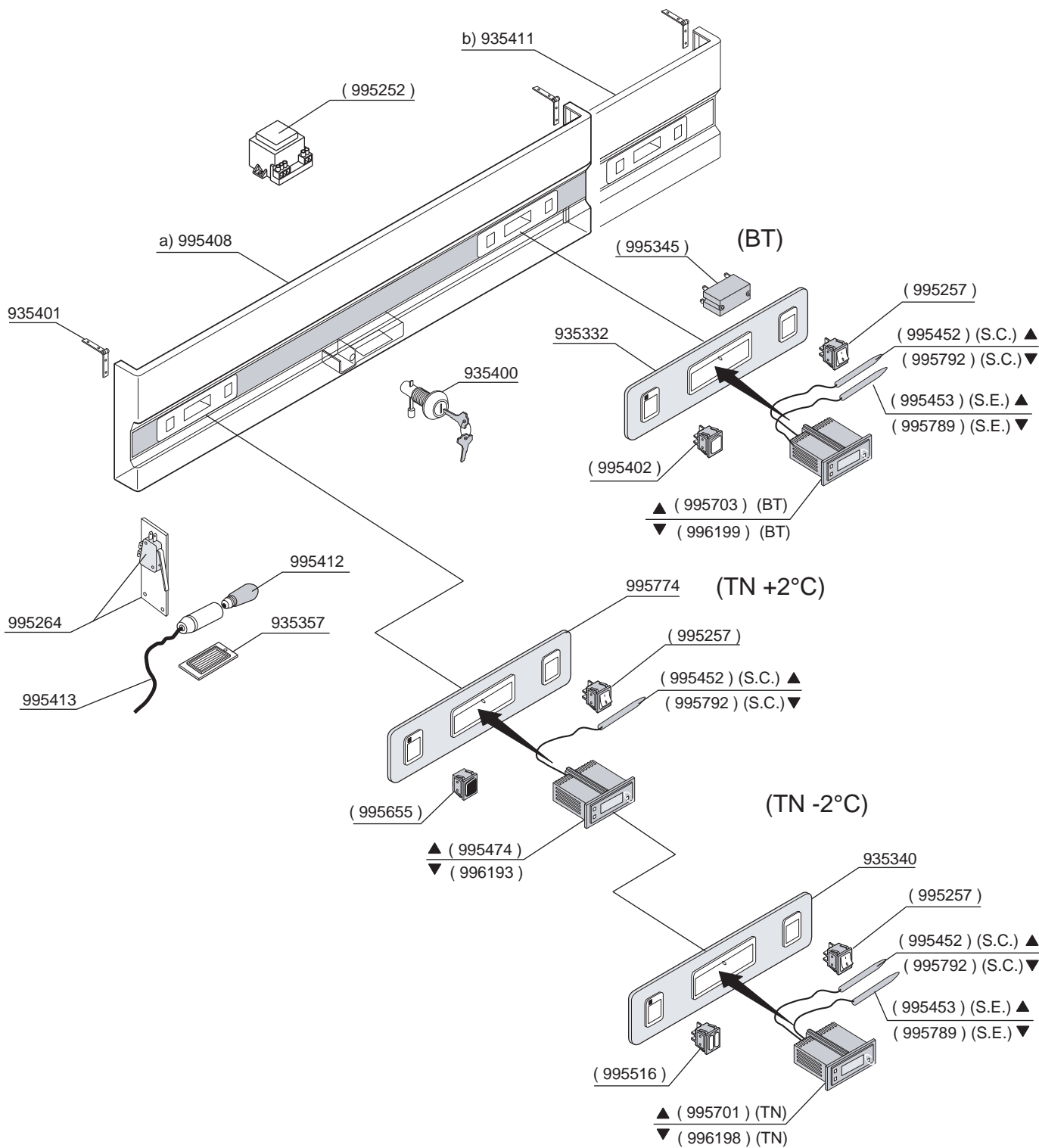
(.....) RICAMBIO CONSIGLIATO
(.....) SUGGESTED SPARE-PARTS

PANNELLO COMANDI ARMADIO "TN+BT" MECCANICO
CONTROL PANEL FOR MECH. "NORMAL+TEMP.-LOW TEMP" REFR.CABINET

RIF. REF. Da matricola n°
From serial n°

- ARMADIO REFRIGERATO (+2/+8 °C) REFRIGERATED CABINET (+2/+8 °C)
- ARMADIO REFRIGERATO (-2/+ 8 °C) REFRIGERATED CABINET(-2/+8 °C)
- ARMADIO REFRIGERATO (-25/+15 °C) REFRIGERATED CABINET(-25/+15 °C)

930302/113



a) AR 1200/AR 1400
b) AR 2100

- ▲ S.E - Sonda evaporatore (rossa) - Evaporator probe (red)
- ▲ S.C. - Sonda cella (grigia) - Cell probe (grey)
- ▼ S.E - Sonda evaporatore (black - def) - Evaporator probe (black-def)
- ▼ S.C. - Sonda cella (nera - therm) - Cell probe (black-therm)

(.....) **RICAMBIO CONSIGLIATO**
(.....) **SUGGESTED SPARE-PARTS**

PANNELLO COMANDI "TN+BT" ELETTRONICO CONTROL PANEL FOR "NORMAL -TEMP + LOW TEMP" ELECTRONIC REFR. CABINET		RIF. REF. Da matricola n° From serial n°
	EWPC ▲ 950904/111 ▼ 20030530000099 20030603000001	
friulinox 33083 TAIEDO DI CHIONS PORDENONE - ITALY		ESP1001-(162)

RIPRODUZIONE, ANCHE PARZIALE, VIETATA

