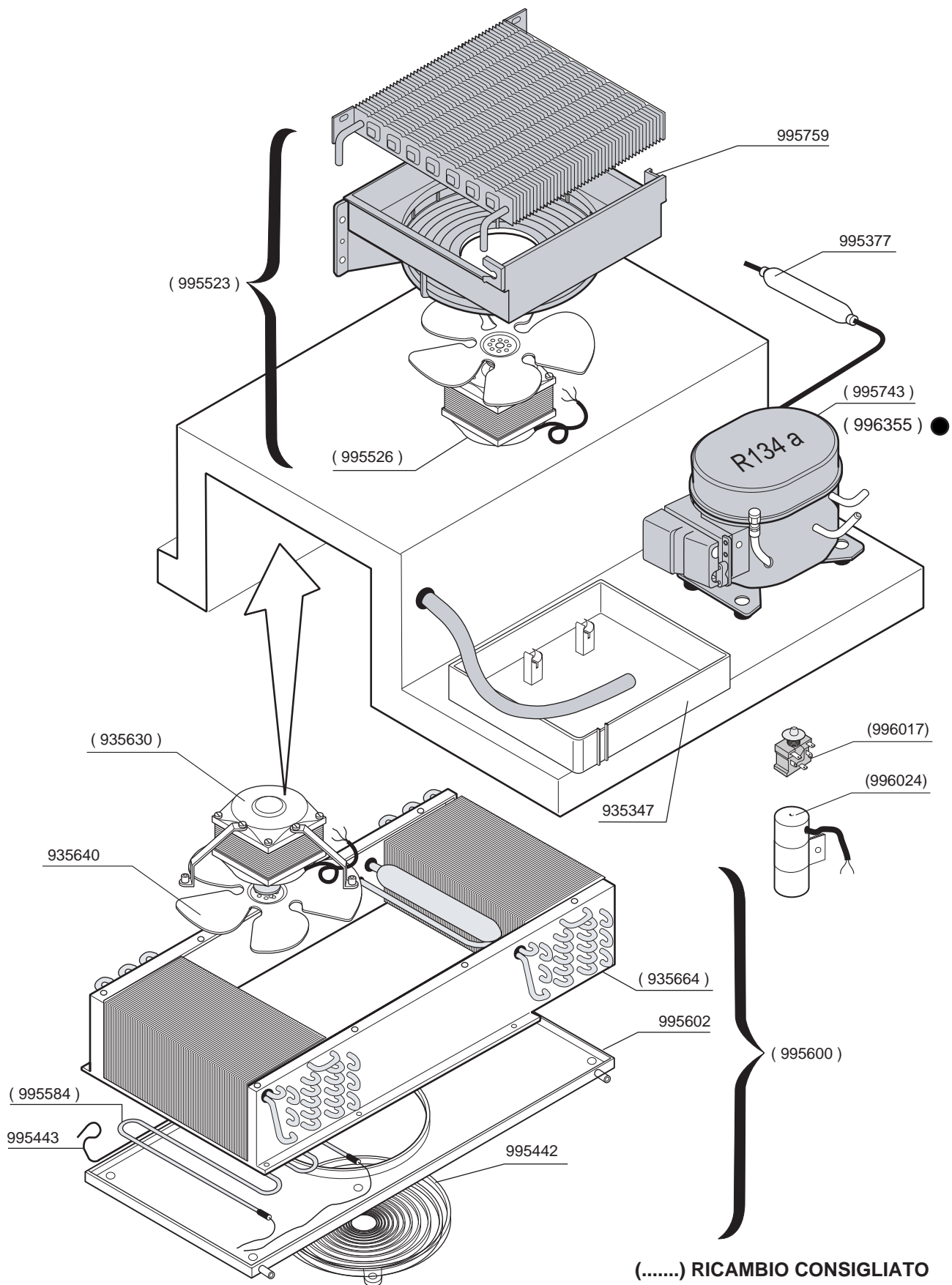


(.....) RICAMBIO CONSIGLIATO  
 (.....) SUGGESTED SPARE-PARTS

<b>ALLESTIMENTO ARMADIO ROLL-THROUGH</b> EQUIPMENT ROLL - THROUGH REFRIGERATED CABINET	RIF. REF.	Da matricola n° From serial n°





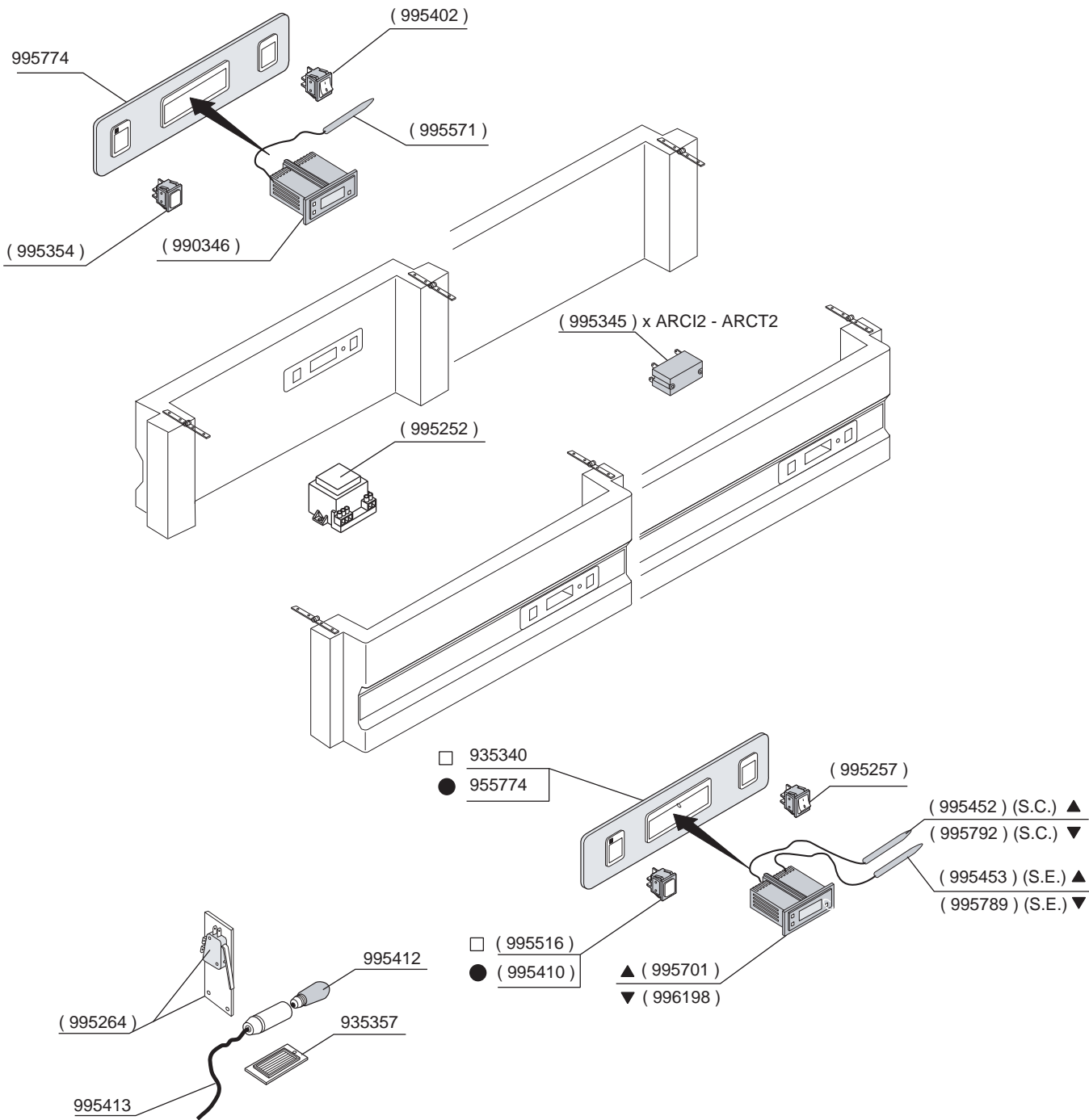
(.....) RICAMBIO CONSIGLIATO  
 (.....) SUGGESTED SPARE-PARTS

**IMPIANTO FRIGO ARMADIO ROLL-IN / THROUGH ARC11-ARCT1**  
 REFRIGERATED UNIT ROLL - IN / THROUGH ARC11-ARCT1 CABINET

RIF. REF. Da matricola n°  
 From serial n°

● 2006030600001





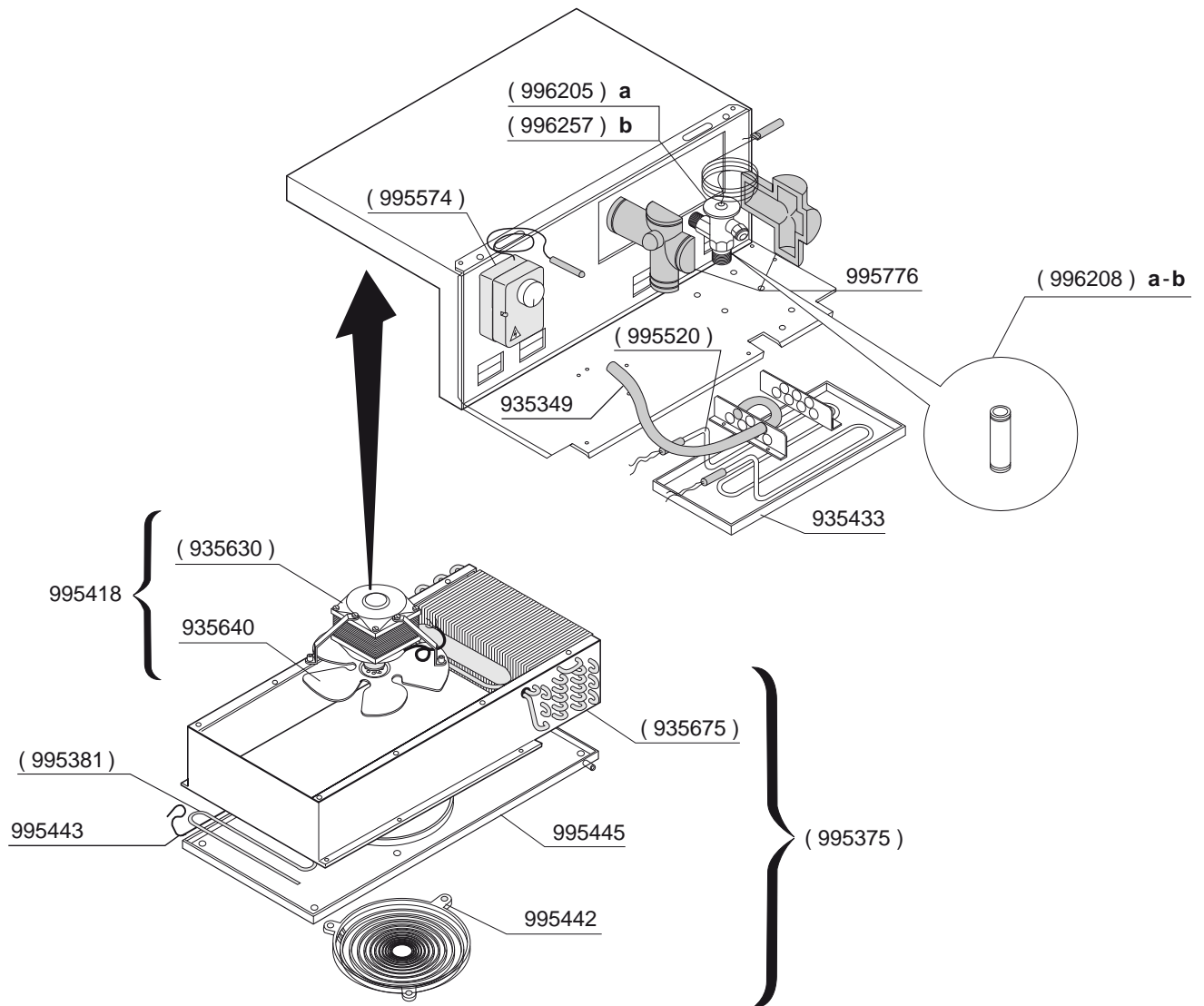
▲ S.E - SONDA EVAPORATORE (ROSSA) - EVAPORATOR PROBE (RED)  
 S.C. - SONDA CELLA (GRIGIA) - CELL PROBE (GREY)

▼ S.E - SONDA EVAPORATORE (NERA - DEF) - EVAPORATOR PROBE (BLACK-DEF)  
 S.C. - SONDA CELLA (NERA - THERM) - CELL PROBE (BLACK-THERM)

(.....) **RICAMBIO CONSIGLIATO**  
 (.....) **SUGGESTED SPARE-PARTS**

<b>PANNELLO DI CONTROLLO ARMADIO ROLL-IN / THROUGH</b> CONTROL PANEL ROLL - IN / THROUGH REFRIGERATED CABINET		RIF. REF.	Da matricola n° From serial n°
●	PORTE VETRO GLASS DOORS	▲	20030530000099
□	PORTE CIECHE SOLID DOORS	▼	20030603000001





(.....) ricambio consigliato  
 (.....) *suggested spare-parts*

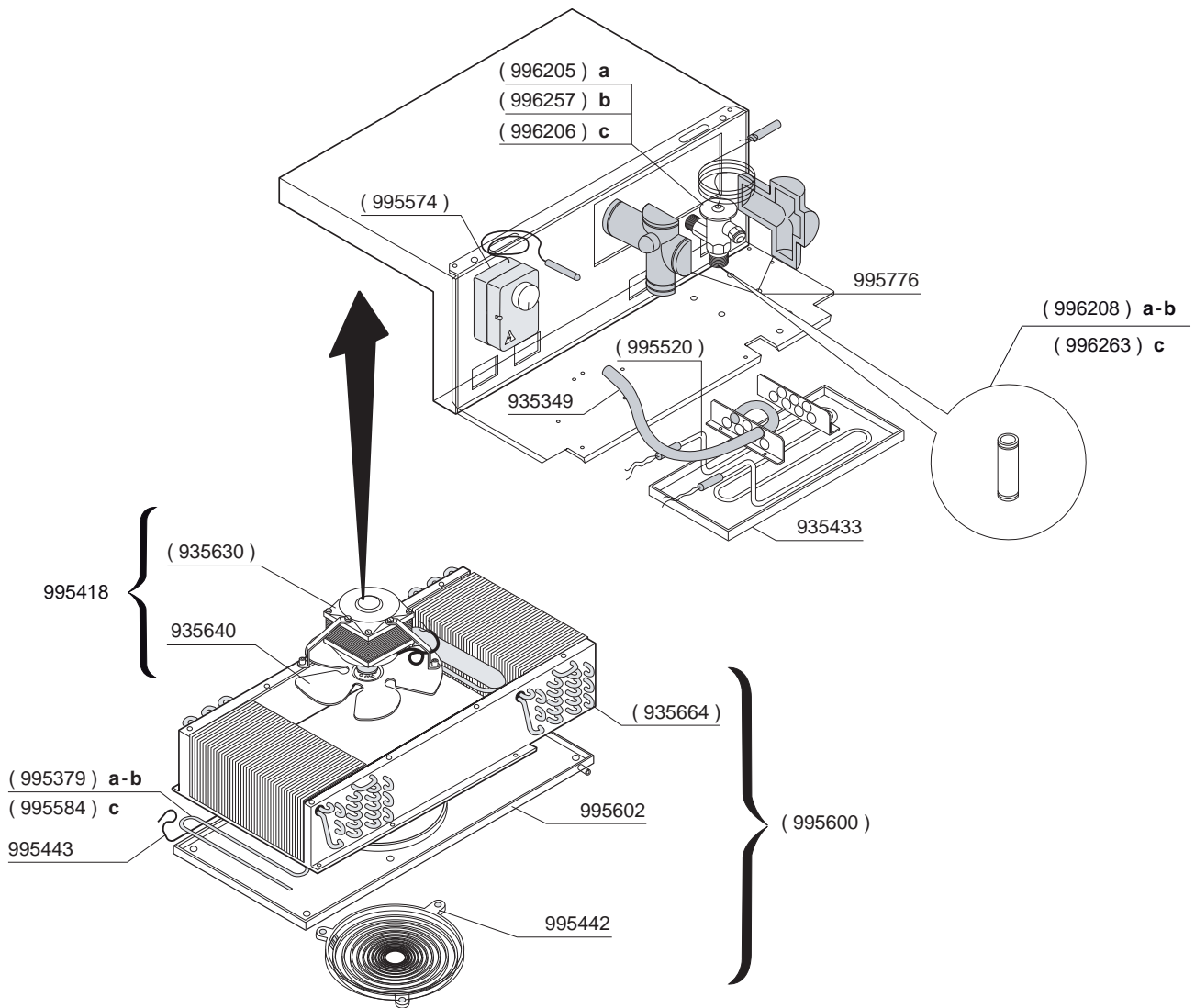
**a** = R134a  
**b** = R404A TN

**UNITÀ EVAPORATRICE ROLL-IN PREDISPOSTI TN**  
 EVAPORATING UNIT OF NT ROLL-IN REMOTE UNIT

RIF. REF. Da matricola n°  
 From serial n°







(.....) ricambio consigliato  
 (.....) *suggested spare-parts*

- a = R134a
- b = R404A TN
- c = R404A BT

**UNITÀ EVAPORATRICE ROLL-IN PREDISPOSTI TN e BT**  
*EVAPORATING UNIT OF NT and LT ROLL-IN REMOTE UNIT*

RIF. REF. Da matricola n  
 From serial n

