

ARMADIO GN 2/1 - GN 2/1 RIDOTTO
REFRIGERATING CABINET GN 2/1 - GN 2/1 REDUCED

RIF. REF. Da matricola n°
From serial n°

a ARMADIO CON PORTA INTERNA - FULL DOOR REFRIGERATING CABINET
b ARMADIO CON PORTA MEZZA - HALF DOOR REFRIGERATING CABINET
c ARMADIO CON SERVIZIO ITTICO - CABINET FOR FISH-SHOPS

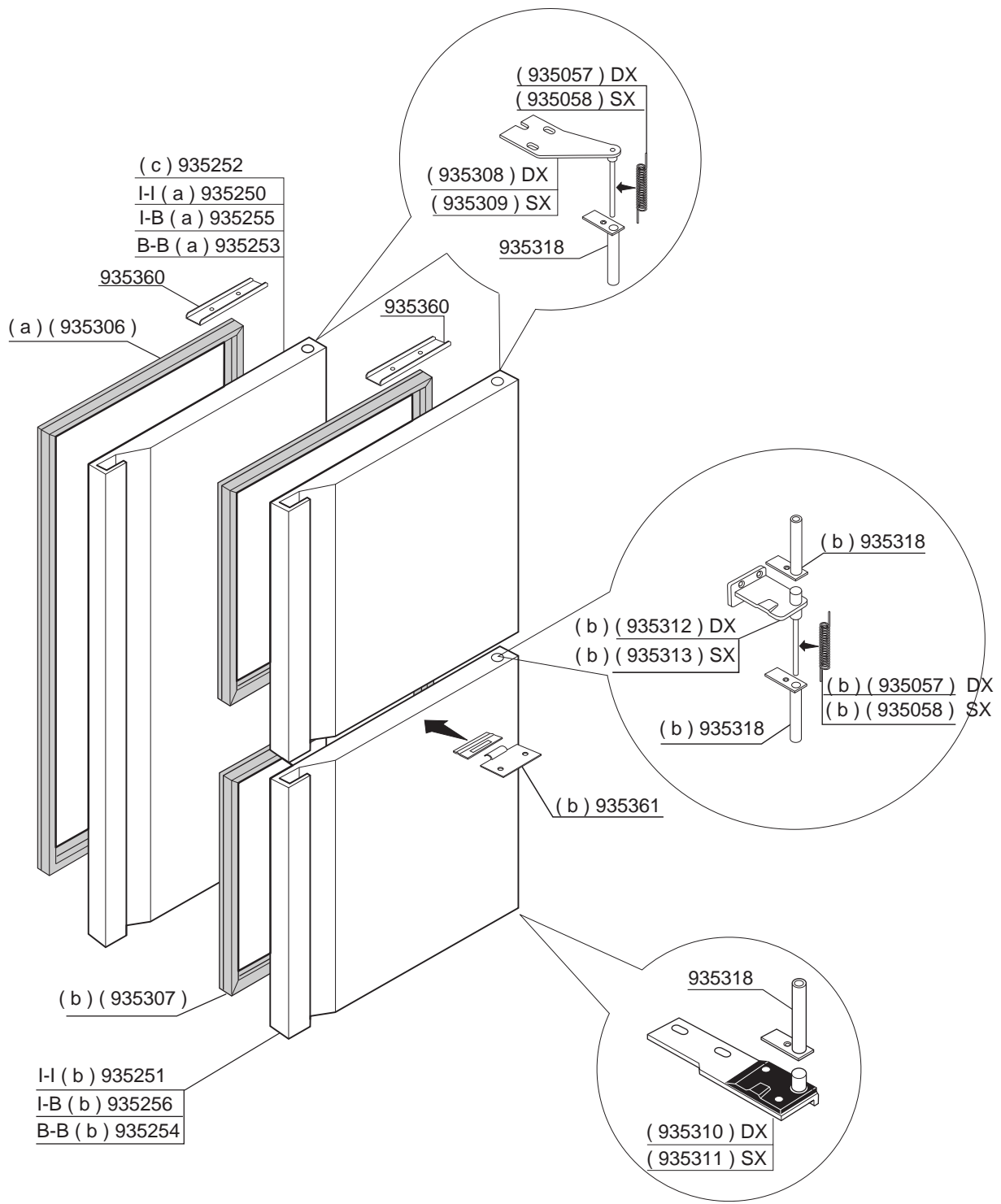
930302/113

friulinox 33082 AZZANO DECIMO
PORDENONE - ITALY

RIPRODUZIONE, ANCHE PARZIALE, VIETATA

ESP1001-(01)

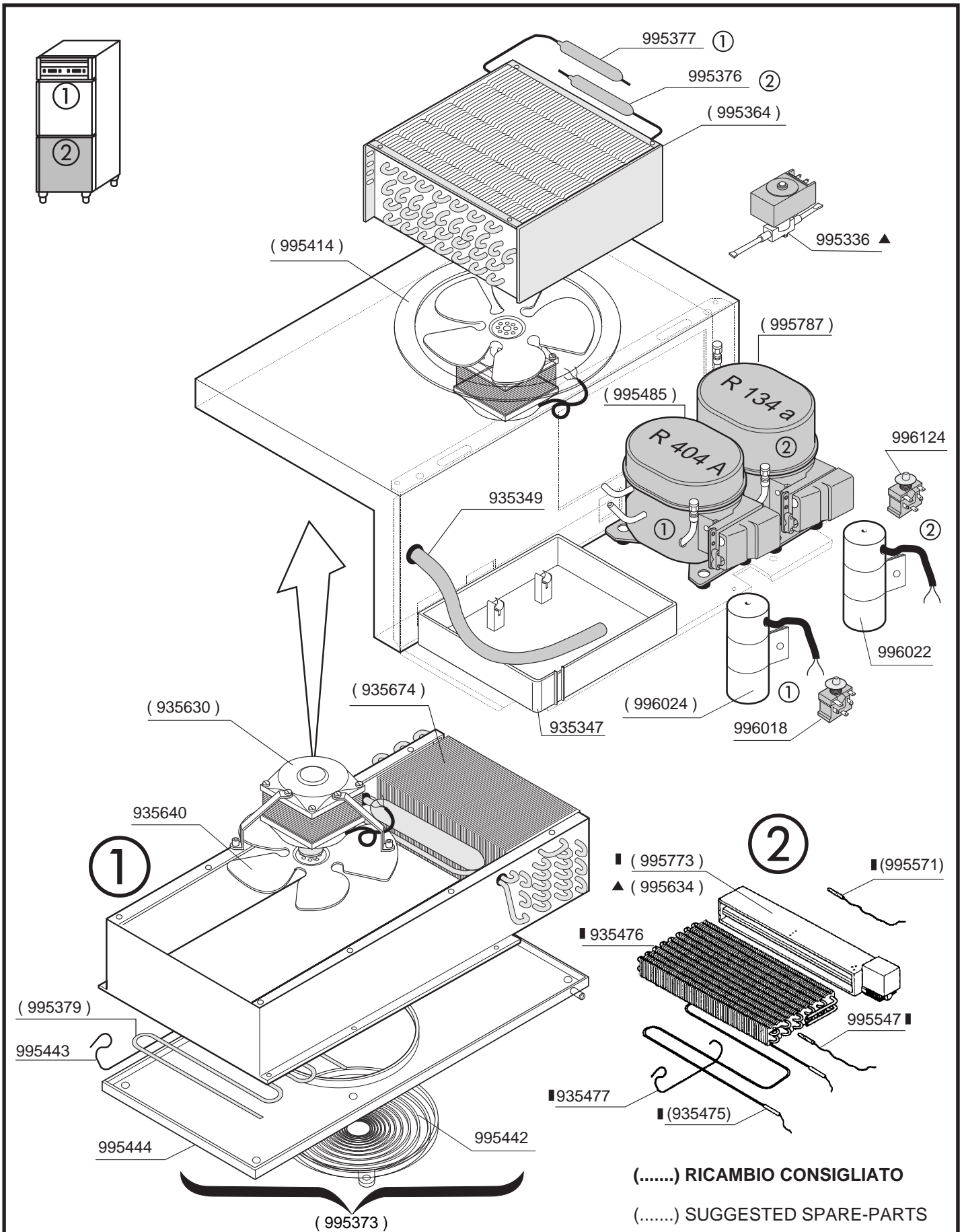
Cod.	Descrizione	Description
935234	MONTANTE ANTERIORE INTERO MNSC	FRONT RACK SUPPORT
935235	MONTANTE ANTERIORE MEZZO MNSC	FRONT HALF-RACK SUPPORT
935236	MONTANTE POSTERIORE INTERO MNSC	REAR RACK SUPPORT
935237	MONTANTE POSTERIORE MEZZO MNSC	REAR HALF-RACK SUPPORT
935353	RESISTENZA PORTA INTERA AF MNSC 52W	DOOR HEATER (52W) FOR FREEZER-BT-CUPB.
935354	RESISTENZA PORTA MEZZA AF MNSC 68W	HALF DOOR HEATER(68W)FOR FREEZER BT CUPB
935358	ASS.TRAVERSA 1/2 PORTE INOX AR MONOSCOC.	CROSS FRAME FOR S/S HALF DOORS
935359	ASS.TRAVERSA 1/2 PORTE BIANCA AR MONOSC.	CROSS FRAME FOR WHITE HALF/DOORS
935440	CONVOGLIATORE GN DX AR MNSC	GN RIGHT CONVEYOR - CUPBOARDS
935441	CONVOGLIATORE GN SX AR MNSC	GN LEFT CONVEYOR - CUPBOARDS
935448	ASS.PROF.BATT.GUARN.+LAMINA L= 710	GASKET RABBET PROFILE L=710
935449	ASS.PROF.BATT.GUARN.+LAMINA L=1550	GASKET RABBET PROFILE L=1550
935470	BACINELLA PLAST. GN2/1 RID.H=100	PLASTIC CONTAINER H=100 530X550 MM
935471	FALSO FONDO FORATO 530X550 MM	FALSE DRILLED BOTTOM 530X550MM
935473	ASS.PROF+LAMINA BATT.GUARNI L=609AR	PROFILE + GASKET RABBET
990010	FALSO FONDO FORATO INOX 470X265X 15H	DRIP TRAY GN1/1 ST.STEEL 470X265X15 MM
990013	BACINELLA GN 1/1 PLASTICA 325X530X100H	GN1/1 PLASTIC CONTAINER H=100
990057	COPPIA GUIDA A-C-PER AR700MSC	PAIR OF-C-SHAPE SLIDES FOR REFR.CUPB.700
990058	COPPIA GUIDA A'C'PER AR600MSC L=560	PAIR OF SLIDES 'C' REFR.CAB. 600 L=560
930269	ASSIEME PIEDINO TR NEW 2' H=145-205	GASKET FOOT TR NEW 2' H=145-205
995460	RACCORDO DI SCARICO VANO PESCE AR MNSC	OUTLET PIPE FOR FISH COMPARTMENT - AR
996042	ASS. PIEDINO CON PERNO M10 +DADO M10	STAINLESS STEEL FEET 2" M10+SCREW M10



(I) = INOX - STAINLESS/STEEL
 (B) = BIANCO - WHITE

(.....) **RICAMBIO CONSIGLIATO**
 (.....) **SUGGESTED SPARE-PARTS**

PORTE CIECHE SOLID DOORS		RIF. REF.	Da matricola n° From serial n°
a	PORTA INTERA FULL DOOR		930302/113
b	PORTA MEZZA HALF DOOR		
c	PORTA INTERA PASTICCERIA PROFONDITA' 700 - FULL DOOR CONFECTIONERY DEPTH 700		
friulinox 33083 TAIEDO DI CHIONS PORDENONE - ITALY		RIPRODUZIONE, ANCHE PARZIALE, VIETATA ESP1001-(11)	



IMPIANTO FRIGO "350BT+350TN"
REFRIGERATED UNIT "350LT+350NT" -

RIF.
REF.

Da matricola n°
From serial n°

R134a

■ 960228/110

R404A

▲ 950203/111

Cod.	Descrizione	Description
935347	VASCHETTA EVAP.CONDENSEA AR7 MNSC	TRAY FOR CONDENSATE EVAPORATION - AR7
935349	TUBO SCARICO CONDENSEA DX AR MNSC	PIPE (RIGHT) FOR CONDENSATE OUTLET
935475	RESISTENZA SBRINAMENTO CELLETTA AR 350	DEFROST HEATER AR 350
935476	EVAPORATORE AL-AL ARMADI	EVAPORATOR AL-AL CABINETS
935477	MOLLA FISS.RESISTENZE EVAP.AR7 2T	FIXING CLAMP FOR EVAP.HEATERS AR7 2T
935630	MOTORE 10W 230V-50/60HZ FIS.VITE	ENGINE 10W 230V-50/60HZ SCREW FIXING
935640	VENTOLA 230-23° ASPIR. 230 23 AA	FAN 230-23° ASPIR. 230 23AA
935674	EVAPORATORE 6R-6T AR6-7 MNSC	EVAPORATOR 6R-6T AR6-7 MNSC
995336	VALVOLA SOLENOIDE 1/4' A SALDARE 220V	SOLENOID VALVE 1/4'
995364	CONDENSATORE 2 CIRCUITI AR 2T MNSC	DUAL-CIRCUIT CONDENSER AR2T
995373	ASSIEME EVAPORATORE 6R-6T AR6-7 MNSC	S/S EVAPORATOR 6R-6T AR6-7
995376	FILTRO DEIDRATORE 15 GR 6X3	DEHYDRATOR FILTER 15GR.
995377	FILTRO DEIDRATORE 25 GR 6X3	DEHYDRATOR FILTER 25GR. 6X3
995379	RESISTENZA EVAPORATORE AR7 MNSC	EVAPORATOR HEATER AR7
995414	VENTILATORE ASP.NA 10/20/230/28 AR	FAN 10/20/230/28 AR
995442	GRIGLIA PROTEZ.VENTILAT.EVAP.MNSC	PROTECTION GRID FOR EVAPORATOR FAN
995443	MOLLA FISS.RESISTENZA EVAPOR.MNSC	FLAT SPRING TO FIX EVAPORATOR HEATER
995444	COPERCHIO EVAPORATORE AR6-7 MNSC	EVAPORATOR COVERING AR6-7 MNSC
995485	COMPRESSORE 14,5CC T2155GK CSIR R404A	COMPRESSOR T2155GK
995547	SONDA PTC ROSSA SILICONE L=5000 EVAPORAT	RED FEELER PTC SILICONE L=5000 EVAPORAT.
995571	SONDA PTC GRIGIA SILICONE L=5000 CELLA	PTC PROBE - GREY L=5000
995634	VENTILATORE TANGENZIALE D=60 L=180	VENTILATOR D=60 L = 180
995773	VENTILATORE TANGENZIALE D=60 L=270	TENG.VENTILATOR D=60 L=270
995787	COMPRESSORE BP1111Z/TLS6F R134A	COMPRESSOR BP1111Z/TLS6F R134A
996018	RELE' AVVIAMENTO DANFOSS '117U6005'	STARTING RELAIS DANFOSS '117U6005'
996022	CONDENSATORE EL. DANFOSS '117U5014'	CONDENSER EL. DANFOSS '117U5014'
996024	CONDENSATORE EL. DANFOSS '117U5017'	CONDENSER EL. DANFOSS '117U5017'
996124	RELE' AVVIAMENTO DANFOSS '117U6004'	STARTING RELAY DANFOSS '117U6004'

IMPIANTO FRIGO "350 BT" + "350 TN"
REFRIGERATED UNIT "350 LT" + "350 NT"

friulinox 33083 TAIEDO DI CHIONS
PORDENONE - ITALY

RIPRODUZIONE,ANCHE PARZIALE,VIETATA

ESP1001-(43)

ARR 7 / ARP 7 / ARF 7

(995373) {

(995678) (A)
(995771) (B)
(995574)
935630
935640
(995379)
995443
935349
995520
935433
995776
(995714) (B)
(995713) (A)
(935674)
995444
995442

ARR 7	①	A	A
	②	A	A
ARP 7	①	A	A
	②	A	A
ARF 7	①	A	A
	②	B	B

(.....) RICAMBIO CONSIGLIATO
(.....) SUGGESTED SPARE-PARTS

AFR 7

(995373) {

(995771) (B)
(995678) (A)
(995574)
935630
935640
(995379)
995443
935349
995520
935433
995776
(995713) (A)
(995714) (B)
(935674)
995444
995442

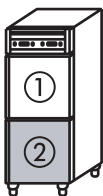
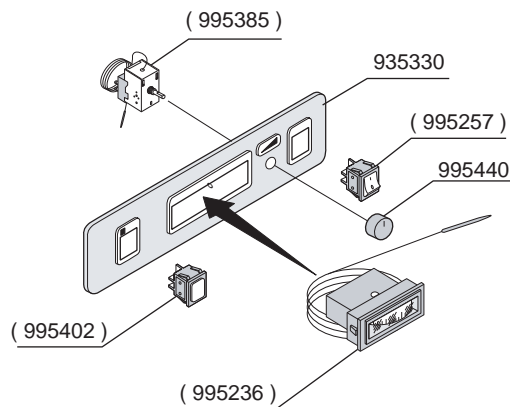
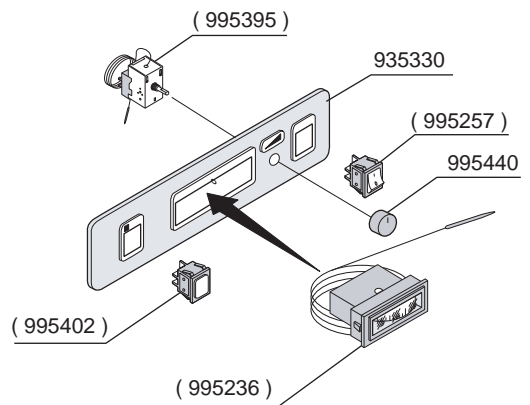
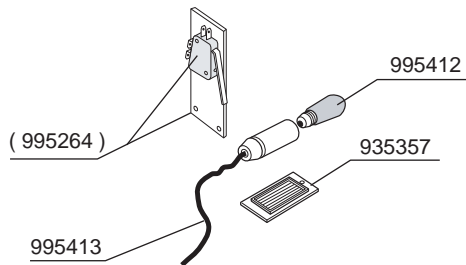
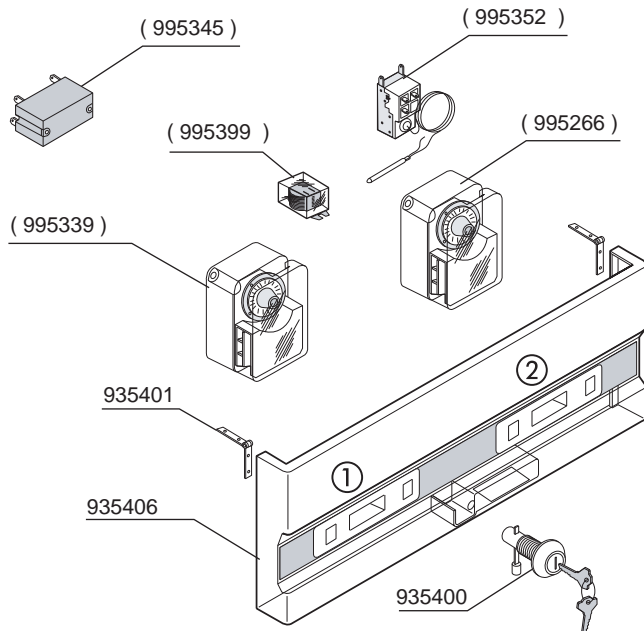
AFR 7	①	A	A
	②	B	B

(.....) RICAMBIO CONSIGLIATO
(.....) SUGGESTED SPARE-PARTS

UNITA' EVAPORATRICE ARMADI PREDISPOSTI
EVAPORATING UNIT OF REMOTE CONTROLLED REFR. CABINETS

RIF. REF. Da matricola n°
From serial n°

R134a R404A 951016/111



(.....) RICAMBIO CONSIGLIATO
(.....) SUGGESTED SPARE-PARTS

PANNELLI COMANDO ARMADIO "350BT+350TN" MECCANICO
CONTROL PANEL FOR MECH. REFRIGERATED CABINET "350LT+350NT"

RIF. REF. Da matricola n°
From serial n°

930302/113

Cod.	Descrizione	<i>Description</i>
935330	MASCHERINA COMANDI AR TN-BT-ITT MEC	CONTROL TEMPLATE CABINET NT-LT-FISH MEC
935357	VETRINO PROTEZIONE LAMPADA AR MNSC	LAMP PROTECTION GLASS
935400	SERRATURA A CHIAVE X AR MNSC/22	KEY-LOCKING DEVICE FOR REFR.CUPBOARDS
935401	KIT CERNIERA PER CRUSCOT.AR MNSC/22	HINGE KIT FOR FRONT PANEL
935406	CRUSCOTTO BLU MECCAN AR 7 2T MNSC/	BLUE FRONT PANEL FOR MECH.AR7 2T CUPB.
995236	TERMOMETRO MECCANICO 32X75	MECHANIC THERMOMETER 32X75
995257	INTERRUTTORE GENERALE VERDE PER AR	MAIN SWITCH (GREEN)
995264	MICROINTERRUTTORE PORTA AR	DOOR MICROSWITCH
995266	TIMER BIGATTI SBRINAMENTO GAS TR MN	DEFROST TIMER 'BIGATTI'
995339	TIMER BIGATTI 50HZ SB3-82 AR BT	TIMER 'BIGATTI' 50 HZ SB3-82 LT FREEZER
995345	RELE'DI POTENZA 30A 250V	POWER RELAY 30A
995352	TERMOSTATO RANCO FINE SBRINAM. K22	-RANCO- K22 DEFROST-CONTROL THERMOSTAT
995385	TERMOSTATO K55-L5047 AR BT°	THERMOSTAT K55-L5047 AR FREEZER
995395	TERMOSTATO K55-L5069 AR TN +2°C	THERMOSTAT K55-L5069
995399	RELE' 60.62 2 SCAMBI 10A MNSC	RELAY 'FINDER' 10A
995402	LAMPADA SPIA GIALLA AR	YELLOW LAMP TR
995412	LAMPADA TUBOLARE 10W E14 AR MNSC	TUBULAR LAMP 10W E14
995413	CAVO CON PORTALAMPADA AR MNSC	BULB SOCKET+WIRE
995440	MANOPOLA PER TERMOSTATO K55	KNOB FOR THERMOSTAT K55

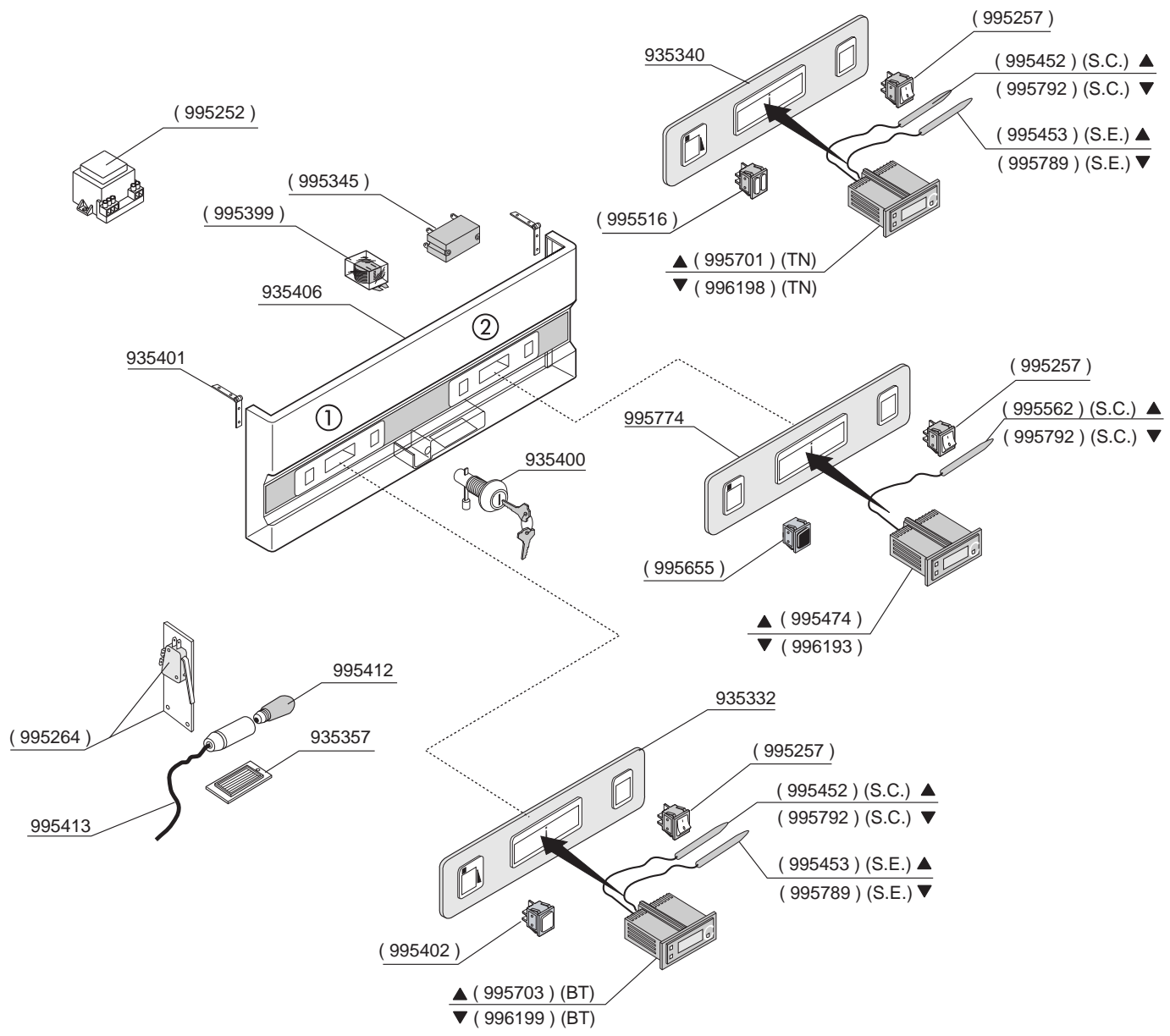
PANNELLO COMANDO ARMADIO "350BT+350TN" MECCANICO
CONTROL PANEL FOR MECH. REFRIGERATED CABINET "350LT+350NT"

friulinox 33083 TAIEDO DI CHIONS
PORDENONE - ITALY

RIPRODUZIONE,ANCHE PARZIALE,VIETATA

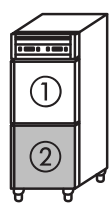
ESP1001-(109)

(TN - 2°C)



- ▲ S.E - SONTA EVAPORATORE (ROSSA) - EVAPORATOR PROBE (RED)
- ▲ S.C. - SONTA CELLA (GRIGIA) - CELL PROBE (GREY)
- ▼ S.E - SONTA EVAPORAORE (BLACK - DEF) - EVAPORATOR PROBE (BLACK-DEF)
- ▼ S.C. - SONTA CELLA (NERA -THERM) - CELL PROBE (BLACK-THERM)

(.....) RICAMBIO CONSIGLIATO
(.....) SUGGESTED SPARE-PARTS



PANNELLO COMANDI ARMADIO "350BT + 350TN" ELETTRONICO CONTROL PANEL FOR "350LOW TEMP + 350NORMAL -TEMP" ELECTRONIC REFR CUPBOARD		RIF. REF.	Da matricola n° From serial n°
		EWPC	950904/111
		▲	20030530000099
		▼	20030603000001
friulinox 33083 TAIEDO DI CHIONS PORDENONE - ITALY		ESP1001-(159)	

RIPRODUZIONE, ANCHE PARZIALE, VIETATA

Cod.	Descrizione	Description
935332	MASCHERINA COMANDI AR BT-ITT ELETT.	CONTROL PANEL FREEZER
935340	MASC.COMANDI AR TN UR% MIN/MAX ELET	CONTROL PANEL CHILLER
935357	VETRINO PROTEZIONE LAMPADA AR MNSC	LAMP PROTECTION GLASS
935400	SERRATURA A CHIAVE X AR MNSC/22	KEY-LOCKING DEVICE FOR REFR.CUPBOARDS
935401	KIT CERNIERA PER CRUSCOT.AR MNSC/22	HINGE KIT FOR FRONT PANEL
935406	CRUSCOTTO BLU MECCAN AR 7 2T MNSC/	BLUE FRONT PANEL FOR MECH.AR7 2T CUPB.
995252	TRASFORMATORE 3VA 230/12V VDE	TRANSFORMER 3VA 220/12V VDE
995257	INTERRUTTORE GENERALE VERDE PER AR	MAIN SWITCH (GREEN)
995264	MICROINTERRUTTORE PORTA AR	DOOR MICROSWITCH
995345	RELE'DI POTENZA 30A 250V	POWER RELAY 30A
995399	RELE' 60.62 2 SCAMBI 10A MNSC	RELAY 'FINDER' 10A
995402	LAMPADA SPIA GIALLA AR	YELLOW LAMP TR
995412	LAMPADA TUBOLARE 10W E14 AR MNSC	TUBULAR LAMP 10W E14
995413	CAVO CON PORTALAMPADA AR MNSC	BULB SOCKET+WIRE
995452	SONDA PTC GRIGIA SILIC.L=1500 CELLA	PTC PROBE - GREY L=1500
995453	SONDA PTC ROSSA SILIC.L=1500 EVAPOR	SILIC.PTC EVAPORATOR RED PROBE L=1500
995474	TELETERMOSTATO EWPC961 TN°	DIGITAL ELECTRONIC THERMOSTAT EWPC961 NT
995516	DEVIATORE VERDE+SPIA GIALLA	GREEN SWICTH + YELLOW LAMP
995562	SONDA PTC GRIGIA SILIC.L=2500 CELLA	PTC GREY PROBE L=2500
995655	TAPPO INTERRUTTORE NERO	BLACK COVERING FOR SWITCH
995701	TELETERMOSTATO EWPC 974 AR TN	DIGITAL ELEC.THERMOSTAT EWPC 974 CHILLER
995703	TELETERMOSTATO EWPC 974 AF BT/TF BT	DIGITAL THERMOSTAT 'ELIWELL' EWPC 974
995774	MASCHERINA COMANDI AR TR NEUTRA	CONTROL PANEL B209 - AR TR NEUTRAL
995789	SONDA NTC NERA SBRIN. L=1500 PVC	NTC PROBE - BLACK DEFROST PVC L=1500
995792	SONDA NTC NERA TERM. L=1500 PVC	NTC PROBE - BLACK THERM. PVC L=1500
996193	TELETERMOSTATO ID 961	DIGITAL ELEC.THERMOSTAT ID 961
996198	TELETERMOSTATO ID 974 TN	DIGITAL ELEC.THERMOSTAT ID 974 NT
996199	TELETERMOSTATO ID 974 BT	DIGITAL ELEC.THERMOSTAT ID 974 LT

PANNELLO COMANDI ARMADIO "350BT + 350TN" ELETTRONICO
 CONTROL PANEL FOR "350 LOW TEMP + 350 NORMAL -TEMP" ELECTRONIC REFR. CUPBOARD