

(I) = INOX - STAINLESS/STEEL
(B) = BIANCO - WHITE

● GN 2/1 - GN 2/1
○ GN 2/1 - RIDOTTO - GN 2/1 REDUCED

ARMADIO GN 2/1 - GN 2/1 RIDOTTO
REFRIGERATING CABINET GN 2/1 - GN 2/1 REDUCED

RIF. REF. Da matricola n_i
From serial n_i

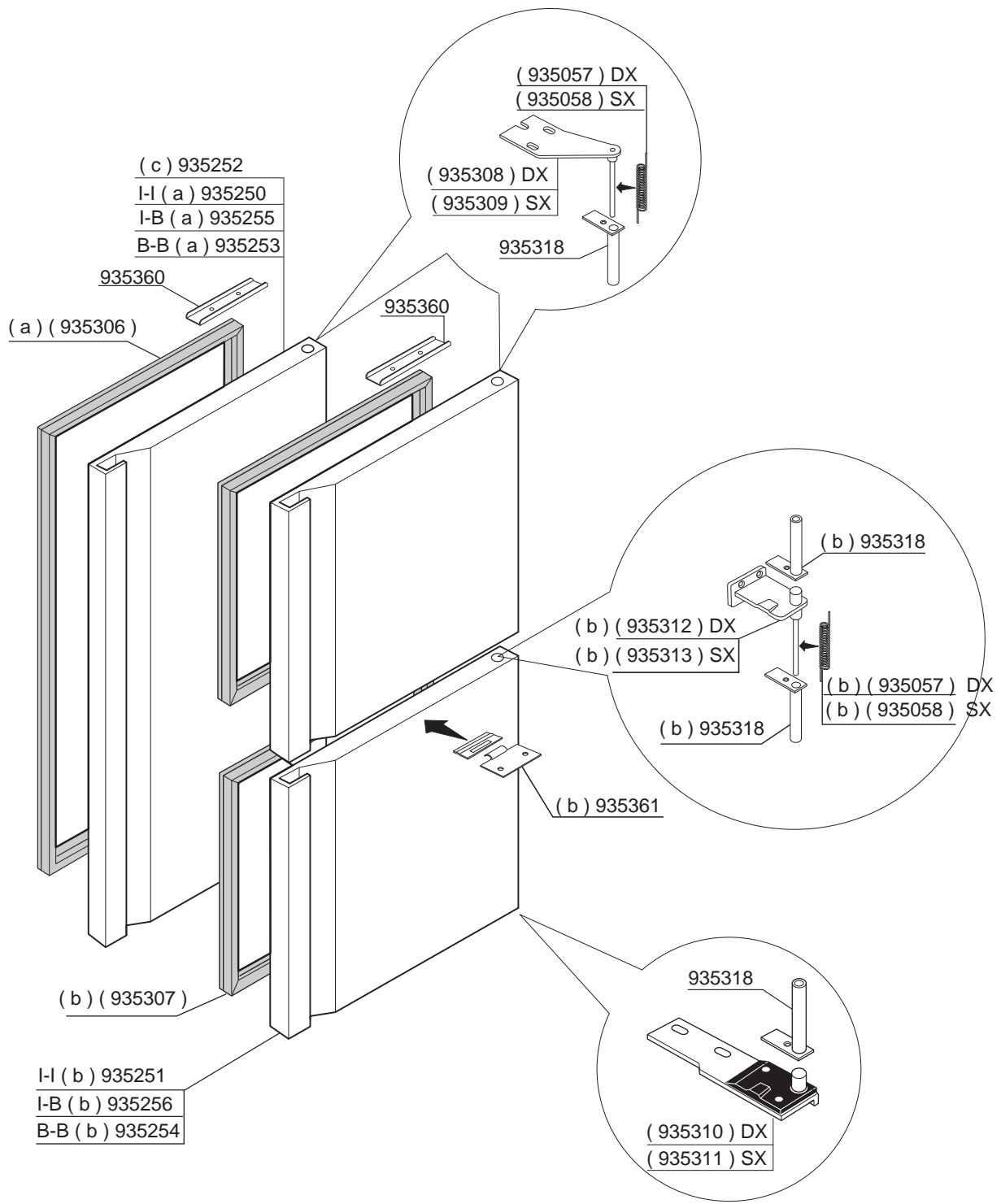
a ARMADIO CON PORTA INTERNA - FULL DOOR REFRIGERATING CABINET
b ARMADIO CON PORTA MEZZA - HALF DOOR REFRIGERATING CABINET
c ARMADIO CON SERVIZIO ITTICO - CABINET FOR FISH-SHOPS

930302/113

friulinox 33082 AZZANO DECIMO
PORDENONE - ITALY

RIPRODUZIONE, ANCHE PARZIALE, VIETATA

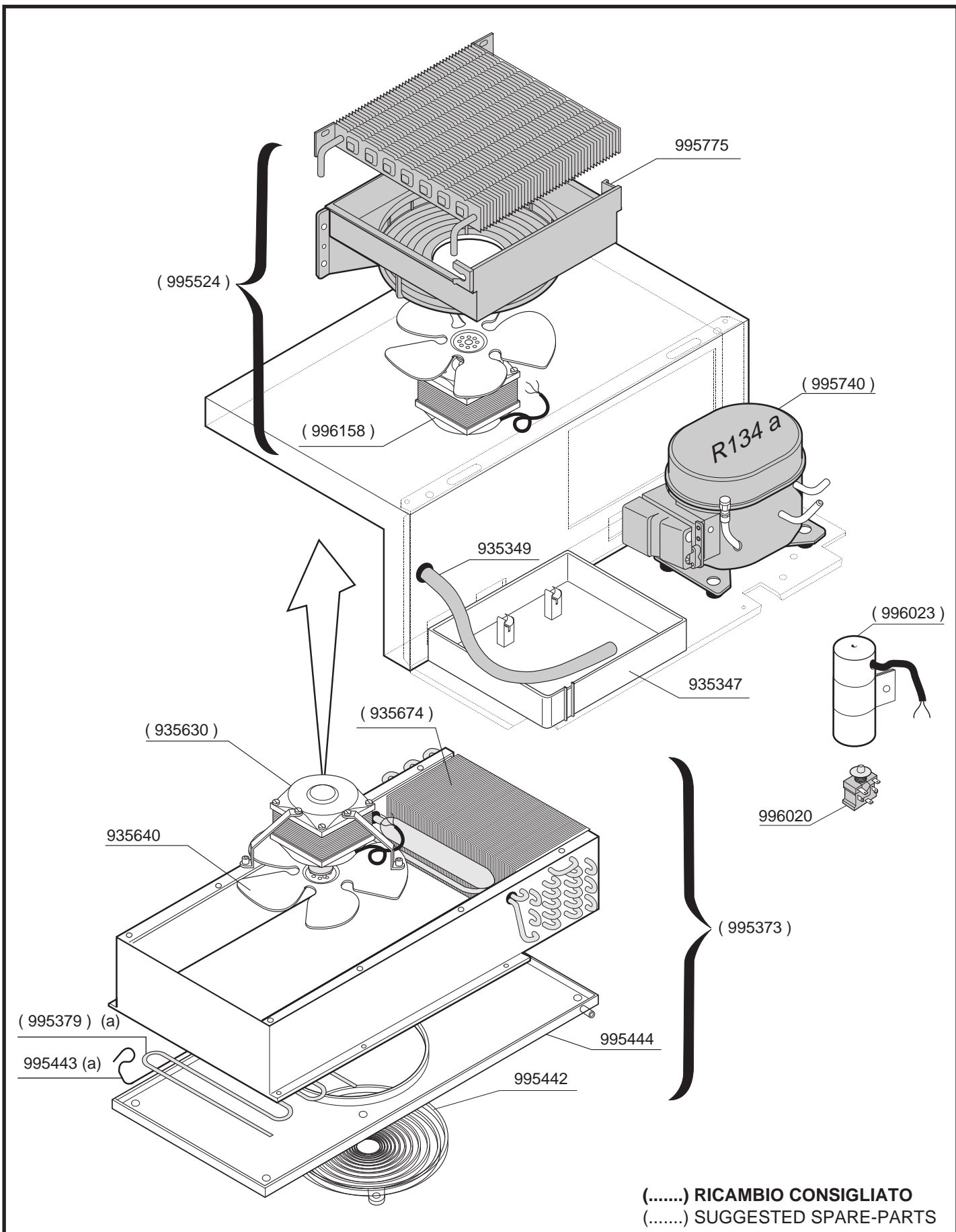
ESP1001-(01)



(I) = INOX - STAINLESS/STEEL
 (B) = BIANCO - WHITE

(.....) RICAMBIO CONSIGLIATO
(.....) SUGGESTED SPARE-PARTS

PORTE CIECHE SOLID DOORS		RIF. REF.	Da matricola n° From serial n°
a	PORTA INTERA FULL DOOR		930302/113
b	PORTA MEZZA HALF DOOR		
c	PORTA INTERA PASTICCERIA PROFONDITA' 700 - FULL DOOR CONFECTIONERY DEPTH 700		
friulinox 33083 TAIEDO DI CHIONS PORDENONE - ITALY		RIPRODUZIONE, ANCHE PARZIALE, VIETATA	
			ESP1001-(11)

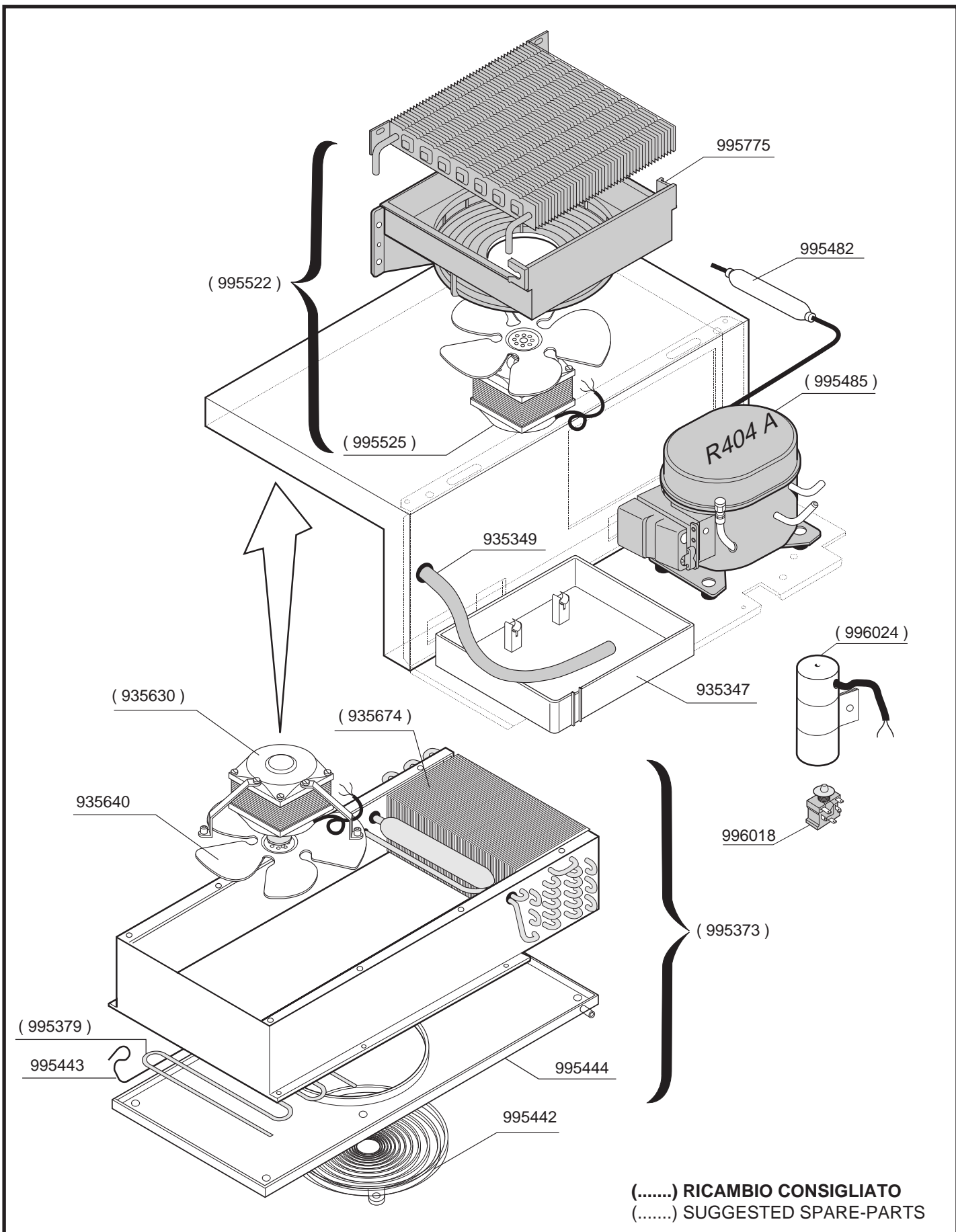


(.....) RICAMBIO CONSIGLIATO
 (.....) SUGGESTED SPARE-PARTS

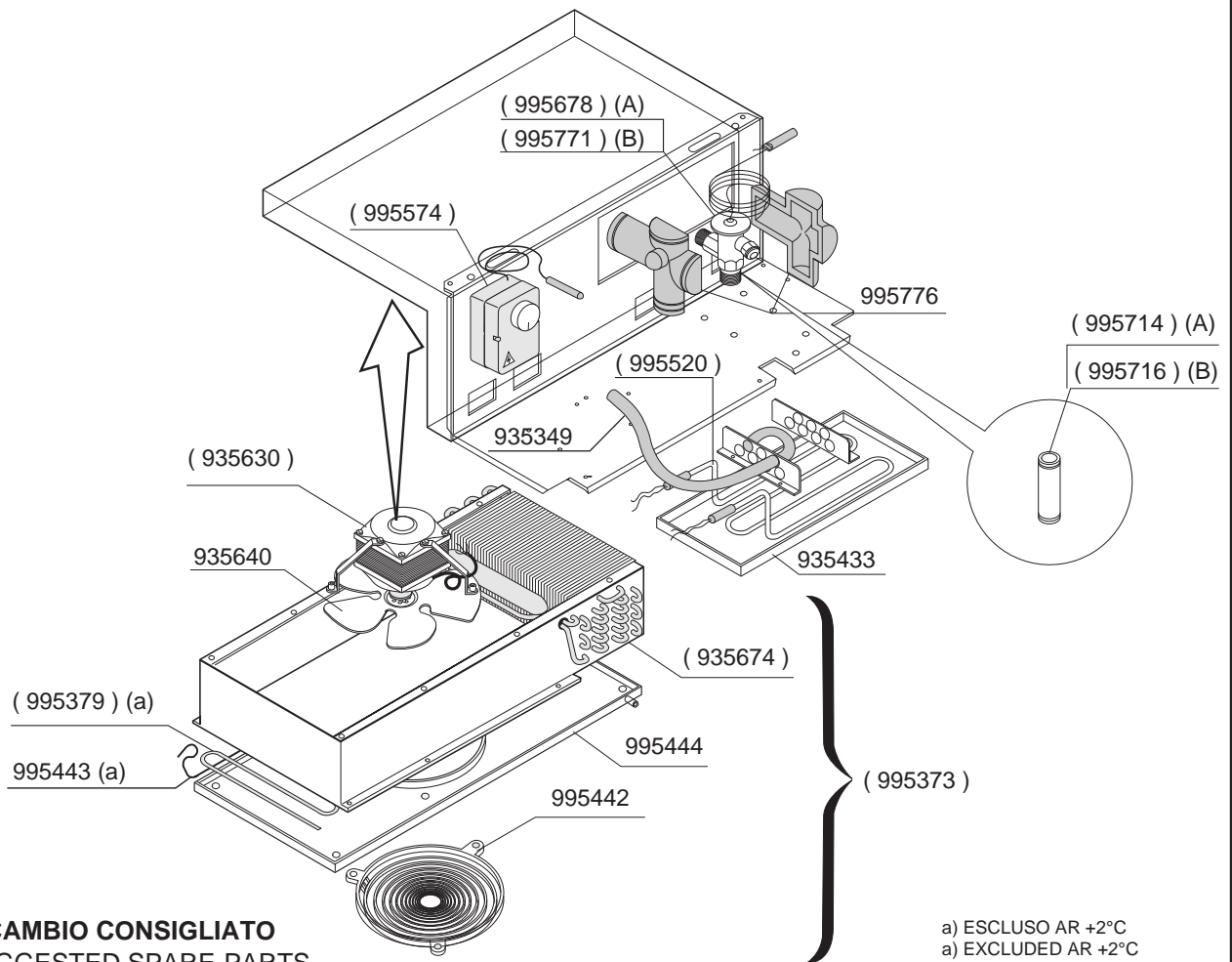
IMPIANTO FRIGO "600TN" / "600 ITTICO" / "350 ITTICO" / "300 ITTICO" REFRIGERATED UNIT "600NT" / "600 FISH" / "350 FISH" / "300 FISH"		RIF. REF.	Da matricola n° From serial n°
a	ARMADIO REFRIGERATO (-2/+8 °C) (-4/+6 °C) REFRIGERATED CABINET (-2/+8 °C) (-4/+6 °C)	R134a	970210/111

Cod.	Descrizione	Description
935347	VASCHETTA EVAP.CONDENSEA AR7 MNSC	TRAY FOR CONDENSATE EVAPORATION - AR7
935349	TUBO SCARICO CONDENSEA DX AR MNSC	PIPE (RIGHT) FOR CONDENSATE OUTLET
935630	MOTORE 10W 230V-50/60HZ FIS.VITE	ENGINE 10W 230V-50/60HZ SCREW FIXING
935640	VENTOLA 230-23° ASPIR. 230 23 AA	FAN 230-23° ASPIR. 230 23AA
935674	EVAPORATORE 6R-6T AR6-7 MNSC	EVAPORATOR 6R-6T AR6-7 MNSC
995373	ASSIEM. EVAPORATORE 6R-6T AR6-7 MNSC	EVAPORATOR ASS. 6R-6T AR6-7 MNSC
995379	RESISTENZA EVAPORATORE AR7 MNSC	EVAPORATOR HEATER AR7
995442	GRIGLIA PROTEZ. VENTILAT. EVAP. MNSC	PROTECTION GRID FOR EVAPORATOR FAN
995443	MOLLA FISS. RESISTENZA EVAPOR. MNSC	FLAT SPRING TO FIX EVAPORATOR HEATER
995444	COPERCHIO EVAPORATORE AR6-7 MNSC	EVAPORATOR COVERING AR6-7 MNSC
995524	CONDENSATORE STVF 93	CONDENSER STVF 93AR12
995740	COMPRESSORE B6160Z R134A	COMPRESSOR B6160Z - R134A
995775	CONVOGLIAT. PER CONDENS. STVF 93/139	CONVEYOR FOR CONDENSER STVF 93/139
996020	RELE' AVVIAMENTO DANFOSS '117U6015'	STARTING RELAIS DANFOSS '117U6015'
996023	CONDENSATORE EL. DANFOSS '117U5015'	CONDENSER EL. DANFOSS '117U5015'
996158	VENTILATORE 7W/S	FAN 7W/S

IMPIANTO FRIGO "600TN" / "600 ITTICO" / "350 ITTICO" / "300 ITTICO"
 REFRIGERATED UNIT "600NT" / "600 FISH" / "350 FISH" / "300 FISH"



IMPIANTO FRIGO "600 BT"- "350 BT"- "300 BT" REFRIGERATED UNIT "600 LT"- "350 LT"- "300 LT"	RIF. REF.	Da matricola n° From serial n°
	R 404A	970217/125



ARMADI 1 TEMPERATURA ONE TEMPERAT.CABINETS			ARMADI 2 TEMPERATURE TWO TEMPERAT.CABINETS						ARMADI 3 TEMPERATURE THREE TEMP.CABINETS					
AR6 +2	A	A	ARR122	①	A	A	ARP141	①	A	A	ARRP	①	A	A
AR6 -2	A	A		②	A	A		②	A	A		②	/	/
AR6 PA	A	A	ARP122	①	A	A	ARF141	①	A	A		③	/	/
AR6 +2 VTR	A	A		②	A	A		②	A	B	ARRF	①	A	A
AR6 -2 VTR	A	A	ARF122	①	A	A	AFP141	①	B	B		②	/	/
AP6 -4	A	A		②	B	A		②	A	A		③	/	/
AF6 -20	A	A	AFP122	①	B	A	ARR142 VTR	①	A	A	ARRR21	①	A	A
AF6 PA	A	A		②	A	A		②	A	A		②	A	A
AR7 +2	A	A	ARR142	①	A	A	ARF142 VTR	①	A	A		③	A	A
AR7 -2	A	A		②	A	A		②	/	/		①	A	A
AR7 +2CAS	A	A	ARP142	①	A	A	ARR212	①	/	/	ARRP21	②	A	A
AR7 -2 CAS	A	A		②	A	A		②	A	A		③	A	A
AR7 +2 VTR	A	A	ARF142	①	A	A	ARP212	①	/	/	ARRF21	①	A	A
AR7 -2 VTR	A	A		②	B	B		②	A	A		②	A	A
AR7 PIZ	A	A	AFP142	①	B	B	ARF212	①	/	/		③	B	B
AR7 S/V	A	A		②	A	A		②	B	B		①	A	A
AR7 PA	A	A	ARP121	①	A	A	ARP211	①	/	/	ARFP21	②	B	B
AP7 -4	A	A		②	A	A		②	A	A		③	A	A
AP7 -4 CAS	A	A	ARF121	①	A	A	ARF211	①	/	/	ARRF21 VTR	①	A	A
AE7	A	A		②	A	A		②	B	B		②	A	A
AF7 -25	B	B	AFP121	①	B	A	ARR212 VTR	①	/	/		③	/	/
AF7 PA	B	B		②	A	A		②	A	A				
			ARR141	①	A	A	ARF VTR	①	/	/				
				②	A	A		②	/	/				

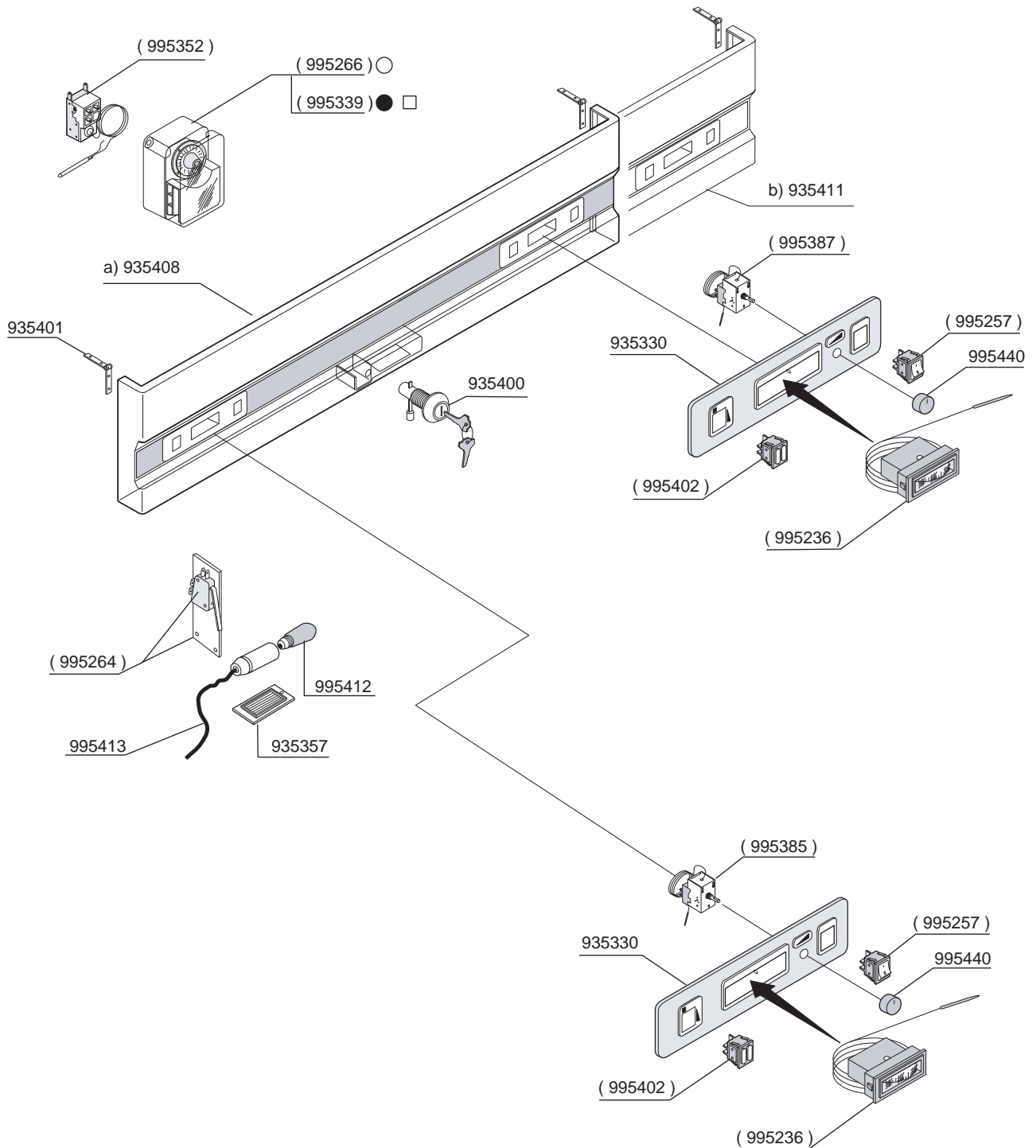
UNITA' EVAPORATRICE ARMADI PREDISPOSTI
EVAPORATING UNIT OF REMOTE CONTROLLED REFR.CABINETS

RIF.
REF.

Da matricola n°
From serial n°

R134a
R404A

951016/111



a) AR 1200/AR 1400
 b) AR 2100

(.....) **RICAMBIO CONSIGLIATO**
 (.....) **SUGGESTED SPARE-PARTS**

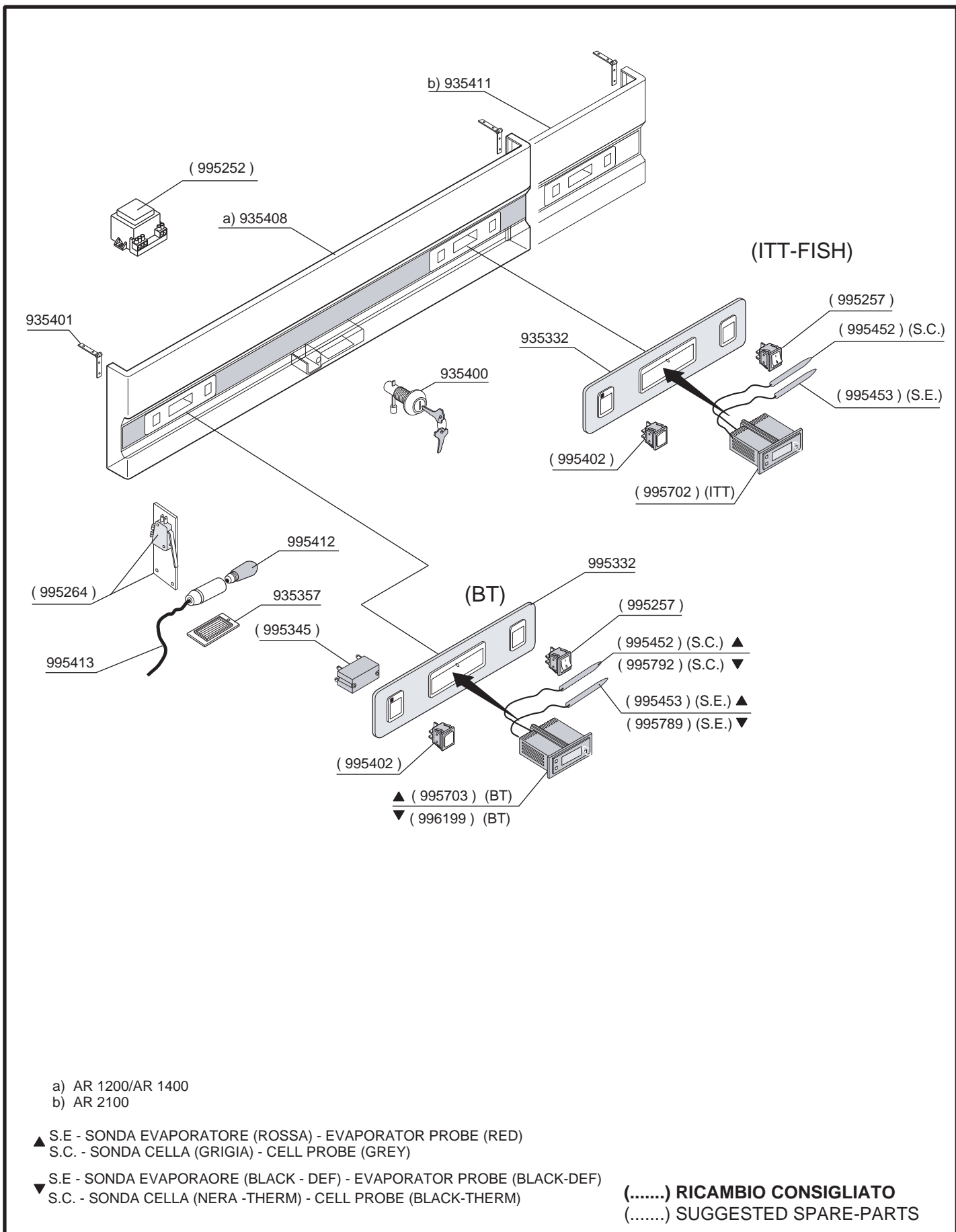
PANNELLO COMANDI ARMADIO "BT+ITTICO" MECCANICO
 CONTROL PANEL FOR MECH. "LOW TEMP.+FISH SERVICE" REFR.CABINETS

RIF. REF. Da matricola n°
 From serial n°

ARMADIO REFRIGERATO (-25 /-15 °C) REFRIGERATED CABINET (-25/-15°C)
 ARMADIO REFRIGERATO (-8 /+2 °C) REFRIGERATED CABINET (-8/+2 °C)

930302/113

Cod.	Descrizione	Description
935330	MASCHERINA COMANDI AR TN-BT-ITT MEC	CONTROL TEMPLATE CABINET NT-LT-FISH MEC
935357	VETRINO PROTEZIONE LAMPADA AR MNSC	LAMP PROTECTION GLASS
935400	SERRATURA A CHIAVE X AR MNSC/22	KEY-LOCKING DEVICE FOR REFR.CUPBOARDS
935401	KIT CERNIERA PER CRUSCOT.AR MNSC/22	HINGE KIT FOR FRONT PANEL
935408	CRUSCOTTO BLU MECCAN AR 14 2T MNSC/	BLUE FRONT PANEL FOR MECH.AR14 2T CUPB.
935411	CRUSCOTTO BLU MECCAN AR 21 2T MNSC/	BLUE FRONT PANEL FOR MECH.AR21 2T CUPB.
995236	TERMOMETRO MECCANICO 32X75	MECHANIC THERMOMETER 32X75
995257	INTERRUTTORE GENERALE VERDE PER AR	MAIN SWITCH (GREEN)
995264	MICROINTERRUTTORE PORTA AR	DOOR MICROSWITCH
995266	TIMER BIGATTI SBRINAMENTO GAS TR MN	DEFROST TIMER 'BIGATTI'
995339	TIMER BIGATTI 50HZ SB3-82 AR BT	TIMER 'BIGATTI' 50 HZ SB3-82 LT FREEZER
995352	TERMOSTATO RANCO FINE SBRINAM. K22	-RANCO- K22 DEFROST-CONTROL THERMOSTAT
995385	TERMOSTATO K55-L5047 AR BT°	THERMOSTAT K55-L5047 AR FREEZER
995387	TERMOSTATO K55-L5066 AR ITT	THERMOSTAT K55-L5066 AR FISH
995402	LAMPADA SPIA GIALLA AR	YELLOW LAMP TR
995412	LAMPADA TUBOLARE 10W E14 AR MNSC	TUBULAR LAMP 10W E14
995413	CAVO CON PORTALAMPADA AR MNSC	BULB SOCKET+WIRE
995440	MANOPOLA PER TERMOSTATO K55	KNOB FOR THERMOSTAT K55



PANNELLO COMANDI ARMADIO "BT+TN" ELETTRONICO CONTROL PANEL FOR "LOW TEMP + NORMAL -TEMP" ELECTRONIC REFR. CABINET		RIF. REF.	Da matricola n° From serial n°
		EWPC ▲ ▼	950904/111 20030530000099 20030603000001

Cod.	Descrizione	Description
935332	MASCHERINA COMANDI AR BT-ITT ELETT.	CONTROL PANEL FREEZER
935357	VETRINO PROTEZIONE LAMPADA AR MNSC	LAMP PROTECTION GLASS
935400	SERRATURA A CHIAVE X AR MNSC/22	KEY-LOCKING DEVICE FOR REFR.CUPBOARDS
935401	KIT CERNIERA PER CRUSCOT.AR MNSC/22	HINGE KIT FOR FRONT PANEL
935408	CRUSCOTTO BLU MECCAN AR 14 2T MNSC/	BLUE FRONT PANEL FOR MECH.AR14 2T CUPB.
935411	CRUSCOTTO BLU MECCAN AR 21 2T MNSC/	BLUE FRONT PANEL FOR MECH.AR21 2T CUPB.
995252	TRASFORMATORE 3VA 230/12V VDE	TRANSFORMER 3VA 220/12V VDE
995257	INTERRUTTORE GENERALE VERDE PER AR	MAIN SWITCH (GREEN)
995264	MICROINTERRUTTORE PORTA AR	DOOR MICROSWITCH
995332	MICROPORTA ARMADI'GICO'	MICROSWITCH - REF. CUPBOARDS
995345	RELE'DI POTENZA 30A 250V	POWER RELAY 30A
995402	LAMPADA SPIA GIALLA AR	YELLOW LAMP TR
995412	LAMPADA TUBOLARE 10W E14 AR MNSC	TUBULAR LAMP 10W E14
995413	CAVO CON PORTALAMPADA AR MNSC	BULB SOCKET+WIRE
995452	SONDA PTC GRIGIA SILIC.L=1500 CELLA	PTC PROBE - GREY L=1500
995453	SONDA PTC ROSSA SILIC.L=1500 EVAPOR	SILIC.PTC EVAPORATOR RED PROBE L=1500
995789	SONDA NTC NERA SBRIN. L=1500 PVC	NTC PROBE - BLACK DEFROST PVC L=1500
995792	SONDA NTC NERA TERM. L=1500 PVC	NTC PROBE - BLACK THERM. PVC L=1500
995702	TELETERMOSTATO EWPC 974 AR ITTICO	DIGITAL ELECTR.THERMOSTAT EWPC974 - FISH
995703	TELETERMOSTATO EWPC 974 AF BT/TF BT	DIGITAL THERMOSTAT 'ELIWELL' EWPC 974
996199	TELETERMOSTATO ID 974 BT	DIGITAL THERMOSTAT ID 974 LT

PANNELLO COMANDI ARMADIO "BT+TN" ELETTRONICO
CONTROL PANEL FOR "LOW TEMP. + NORMAL -TEMP." ELECTRONIC REFR. CABINET