


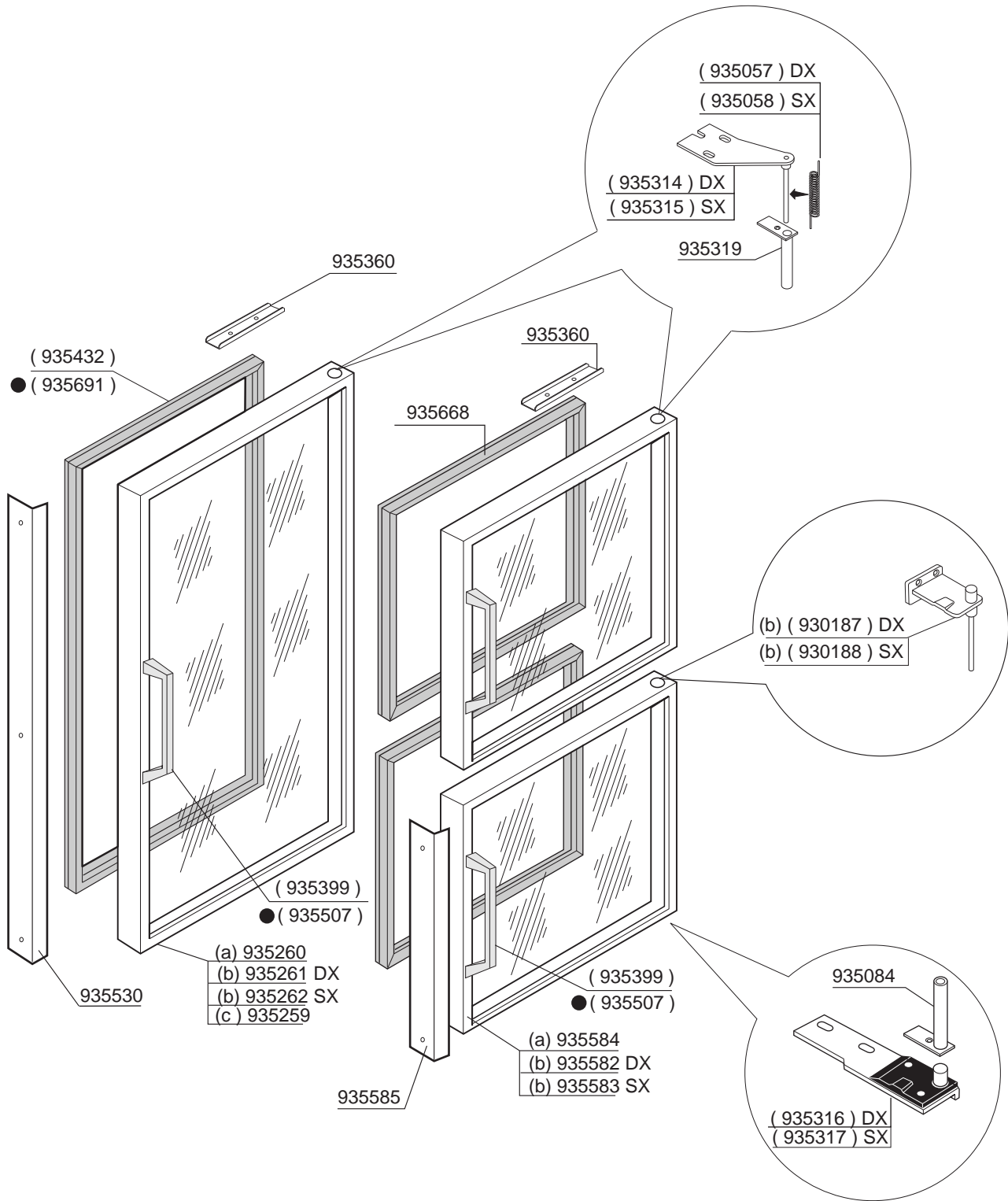
a) AR 1400/AR 2100

* 995011-995012 -> F20070927000020

* F20070927000020 -> 930269

(.....) RICAMBIO CONSIGLIATO
(.....) SUGGESTED SPARE-PARTS

ESPOSITORE VINI / APPARECCHIATURE CON CESTELLI WINE DISPLAY / REFRIGERATING CABINET WITH BASKETS	RIF. REF.	Da matricola n° From serial n°
		930302/113
 33083 TAIEDO DI CHIONS PORDENONE - ITALY	RIPRODUZIONE, ANCHE PARZIALE, VIETATA	ESP1001-(03)



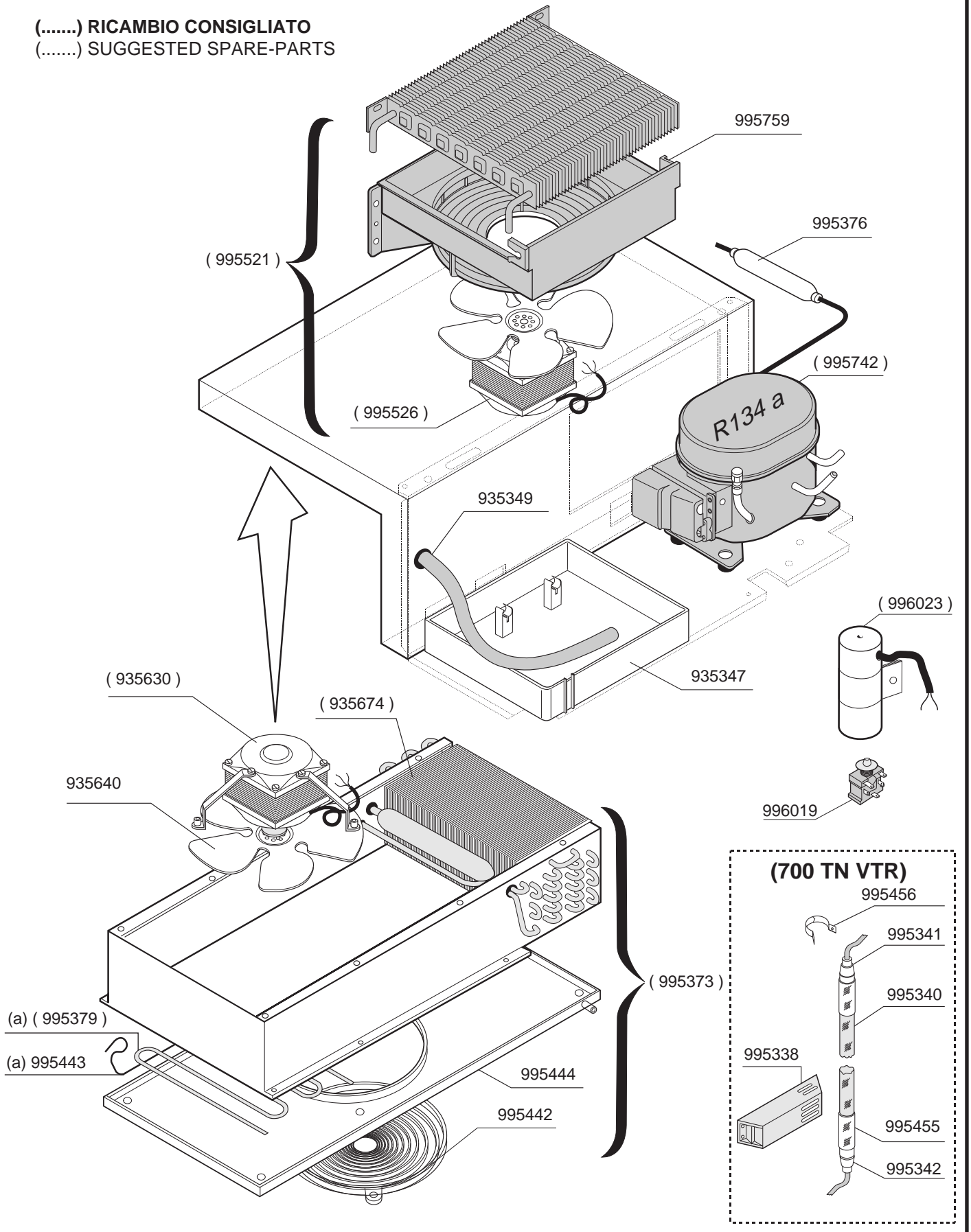
● 17-09-2000 ➔

(.....) **RICAMBIO CONSIGLIATO**
 (.....) **SUGGESTED SPARE-PARTS**

PORTE VETRO GLASS DOORS		RIF. REF.	Da matricola n° From serial n°
a	ARMADO REFRIGERATO (-2/ +8 C°) REFRIGERATING CABINET (-2/ +8 C°)		930302/113
b	ARMADO FREEZER FREEZING CUPBOARD		
c	ESPOSITORE VINI / REFRIGERATO (+2/+8 C°) WINE DISPLAY REFR. CUPBOARD (+2/ +8 C°)		
friulinox 33083 TAIEDO DI CHIONS PORDENONE - ITALY		RIPRODUZIONE,ANCHE PARZIALE,VIETATA ESP1001-(12)	

Cod.	Descrizione	Description
930187	ASS.CERNIERA DX P.MEZZE VETRO	<i>KIT OF HINGES (RIGHT) HALF GLASS DOORS</i>
930188	ASS.CERNIERA SX P.MEZZE VETRO	<i>KIT OF HINGES (LEFT) HALF GLASS DOORS</i>
935057	MOLLA PER PORTA DX AR7 SX AR6	<i>SPRING FOR RIGHT DOOR AR7 -LEFT DOOR AR6</i>
935058	MOLLA PER PORTA SX AR7 DX AR6	<i>SPRING FOR LEFT DOOR AR7-RIGHT DOOR AR6</i>
935084	ASS.CANOTTO INOX AR700	<i>SLEEVE ST/ST CABINET 700</i>
935259	PORTA VETRO AR MNSC ESPOSITORE	<i>GLASS DOOR FOR REFR. DISPALY CUPBOARD</i>
935260	PORTA VETRO AR MNSC TN	<i>GLASS DOOR FOR CHILLER NT CUPBOARD</i>
935261	PORTA VETRO AR MNSC BT 'DX'	<i>RIGHT HIN.GLASS DOOR FOR FREEZER LT CUPB</i>
935262	PORTA VETRO AR MNSC BT 'SX'	<i>LEFT HING.GLASS DOOR FOR FREEZER LT CUPB</i>
935314	CERNIERA SUPERIORE'DX'AR MNSC PORTEVETRO	<i>TOP RIGHT-HINGE - GLASS DOOR</i>
935315	CERNIERA SUPERIORE'SX'AR MNSC PORTEVETRO	<i>TOP LEFT HINGE - GLASS DOORS</i>
935316	CERNIERA INFERIORE'DX'AR MNSC PORTEVETRO	<i>BOTTOM RIGHT HINGE - GLASS DOORS</i>
935317	CERNIERA INFERIORE'SX'AR MNSC PORTEVETRO	<i>BOTTOM LEFT HINGE - GLASS DOORS</i>
935319	CANOTTO INOX PORTEVETRO AR MONOSCOCCA	<i>S/S HINGE SHAFT - GLASS DOORS</i>
935360	SQ.AZIONAMEN.MICRO E FERMO PORTA AR MNSC	<i>(U-SHAPE)SQAURE TO ACIVATE MICRO-SWITCH</i>
935399	MANIGLIA PER PORTE VETRI AR MNSC	<i>HANDLE FOR GLASS DOORS</i>
935432	GUARNIZIONE PORTA VETRO AR MNSC	<i>GASKET FOR GLASS DOOR</i>
935507	MANIGLIA PER PORTE VETRI AR MNSC	<i>HANDLE FOR GLASS DOORS</i>
935530	MANIGLIA IN ALLUMINIO PER P.VTR L=1537	<i>ALL.HANDLE FOR GLASSDOOR L=1537</i>
935582	PO.VTR MEZZA DX AF 3VETRI RISCALDATI	<i>HALF GLASS DOOR RIGHT AF (3 GLASSES)</i>
935583	PO.VTR MEZZA SX AF 3VETRI RISCALDATI	<i>HALF GLASS FOOR LEFT AF (3 GLASSES)</i>
935584	P.VTR MEZZA DX/SX AR 3VTR NEUT.MAN.LUNGA	<i>GLASS HALF DOOR R/L AR (3 GLASSES)</i>
935585	MANIGLIA IN ALLUM. P.VTR MEZZE L=761	<i>ALL. HANDLE FOR GLASS L=761</i>
935668	GUARNIZIONE PORTA VETRO MEZZA ARMADI	<i>GASKET F.HALF GLASS CABINET DOOR</i>
935691	GUARNIZIONE PORTA VETRO AR MNSC	<i>GASKET FOR GLASS DOOR</i>

(.....) RICAMBIO CONSIGLIATO
 (.....) SUGGESTED SPARE-PARTS



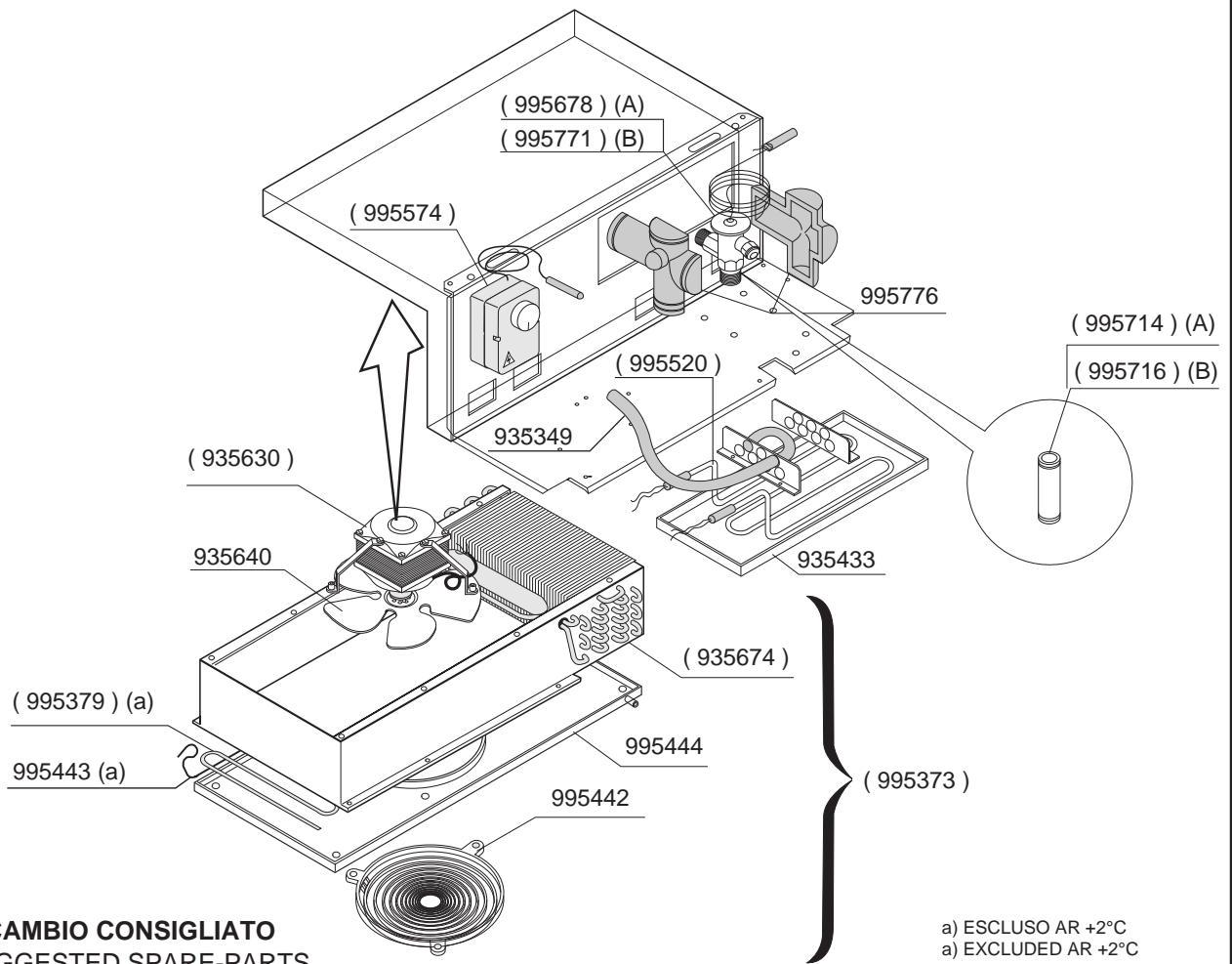
IMPIANTO FRIGO "700 TN"/ "700 TN VTR" "700 TN CON CASSETTI"/"TN 750"
 REFRIGERATED UNIT "700 NT" / "700 NT VTR" / "700 NT WITH DRAWERS"/"NT 750"

RIF. Da matricola n°
 REF. From serial n°

a ARMADIO REFRIGERATO (-2/+8°C) REFRIGERATED CABINET (-2/+8°C)

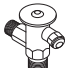



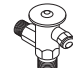



R 134a 960708/109

Cod.	Descrizione	<i>Description</i>
935347	VASCETTA EVAP.CONDENSEA AR7 MNSC	TRAY FOR CONDENSATE EVAPORATION - AR7
935349	TUBO SCARICO CONDENSEA DX AR MNSC	PIPE (RIGHT) FOR CONDENSATE OUTLET
935630	MOTORE 10W 230V-50/60HZ FIS.VITE	ENGINE 10W 230V-50/60HZ SCREW FIXING
935640	VENTOLA 230-23° ASPIR. 230 23 AA	FAN 230-23° ASPIR. 230 23AA
935674	EVAPORATORE 6R-6T AR6-7 MNSC	EVAPORATOR 6R-6T AR6-7 MNSC
995338	REATTORE ELETTRONICO 2X36 TN	ELECTRONIC REACTOR 2X36 NT CHILLER
995340	LAMPADA NEON DA 36W L=1200	TUBULAR LAMP - 36W L=1200
995341	CAVETTO X L/NEON MOD.P1016 L=1500	WIRE FOR TUB.LAMP. MOD.P1016 L=1500
995342	CAVETTO X L/NEON MOD.P1016 L=2780	WIRE FOR TUB. LAMP.MOD. P1016 L=2780
995373	ASSIEME EVAPORATORE 6R-6T AR6-7 MNSC	S/S EVAPORATOR 6R-6T AR6-7
995376	FILTRO DEIDRATORE 15 GR 6X3	DEHYDRATOR FILTER 15GR.
995379	RESISTENZA EVAPORATORE AR7 MNSC	EVAPORATOR HEATER AR7
995442	GRIGLIA PROTEZ.VENTILAT.EVAP.MNSC	PROTECTION GRID FOR EVAPORATOR FAN
995443	MOLLA FISS.RESISTENZA EVAPOR.MNSC	FLAT SPRING TO FIX EVAPORATOR HEATER
995444	COPERCHIO EVAPORATORE AR6-7 MNSC	EVAPORATOR COVERING AR6-7 MNSC
995455	TUBO PLEXIGLAS X AR PORTE VETRO	PLEXIGLASS PIPE FOR GLASS DOOR CUPBOARDS
995456	GRAFFETTA FISSA TUBO NEON AR PORTE VETRO	CLIP FOR TUBULAR LAMP
995521	CONDENSATORE STVF 124 CONVOGL.RINF.	CONDENSER STVF 124 -REINF.CONVEYOR W/CUR
995526	VENTILATORE COND.STVF 12/20 D=254	STVF CONDENSER FAN 12/20 D=254
995742	COMPRESSORE B6170Z R134A	COMPRESSOR B6170Z - R134A
995759	CONVOGLIAT.PER CONDENS.STVF 124/194	CONVEYOR FOR CONDENSER STVF 124/194
996019	RELE' AVVIAMENTO DANFOSS '117U6010'	STARTING RELAIS DANFOSS '117U6010'
996023	CONDENSATORE EL. DANFOSS '117U5015'	CONDENSER EL. DANFOSS '117U5015'



(.....) RICAMBIO CONSIGLIATO
(.....) SUGGESTED SPARE-PARTS

a) ESCLUSO AR +2°C
a) EXCLUDED AR +2°C

ARMADI 1 TEMPERATURA ONE TEMPERAT.CABINETS			ARMADI 2 TEMPERATURE TWO TEMPERAT.CABINETS						ARMADI 3 TEMPERATURE THREE TEMP.CABINETS					
														
AR6 +2	A	A	ARR122	①	A	A	ARP141	①	A	A	ARRP	①	A	A
AR6 -2	A	A		②	A	A		②	A	A		②	/	/
AR6 PA	A	A	ARP122	①	A	A	ARF141	①	A	A		③	/	/
AR6 +2 VTR	A	A		②	A	A		②	A	B	ARRF	①	A	A
AR6 -2 VTR	A	A	ARF122	①	A	A	AFP141	①	B	B		②	/	/
AP6 -4	A	A		②	B	A		②	A	A		③	/	/
AF6 -20	A	A	AFP122	①	B	A	ARR142 VTR	①	A	A	ARRR21	①	A	A
AF6 PA	A	A		②	A	A		②	A	A		②	A	A
AR7 +2	A	A	ARR142	①	A	A	ARF142 VTR	①	A	A		③	A	A
AR7 -2	A	A		②	A	A		②	/	/		①	A	A
AR7 +2CAS	A	A	ARP142	①	A	A	ARR212	①	/	/	ARRP21	②	A	A
AR7 -2 CAS	A	A		②	A	A		②	A	A		③	A	A
AR7 +2 VTR	A	A	ARF142	①	A	A	ARP212	①	/	/	ARRF21	①	A	A
AR7 -2 VTR	A	A		②	B	B		②	A	A		②	A	A
AR7 PIZ	A	A	AFP142	①	B	B	ARF212	①	/	/		③	B	B
AR7 S/V	A	A		②	A	A		②	B	B		①	A	A
AR7 PA	A	A	ARP121	①	A	A	ARP211	①	/	/	ARFP21	②	B	B
AP7 -4	A	A		②	A	A		②	A	A		③	A	A
AP7 -4 CAS	A	A	ARF121	①	A	A	ARF211	①	/	/	ARRF21 VTR	①	A	A
AE7	A	A		②	A	A		②	B	B		②	A	A
AF7 -25	B	B	AFP121	①	B	A	ARR212 VTR	①	/	/		③	/	/
AF7 PA	B	B		②	A	A		②	A	A				
			ARR141	①	A	A	ARF VTR	①	/	/				
				②	A	A		②	/	/				

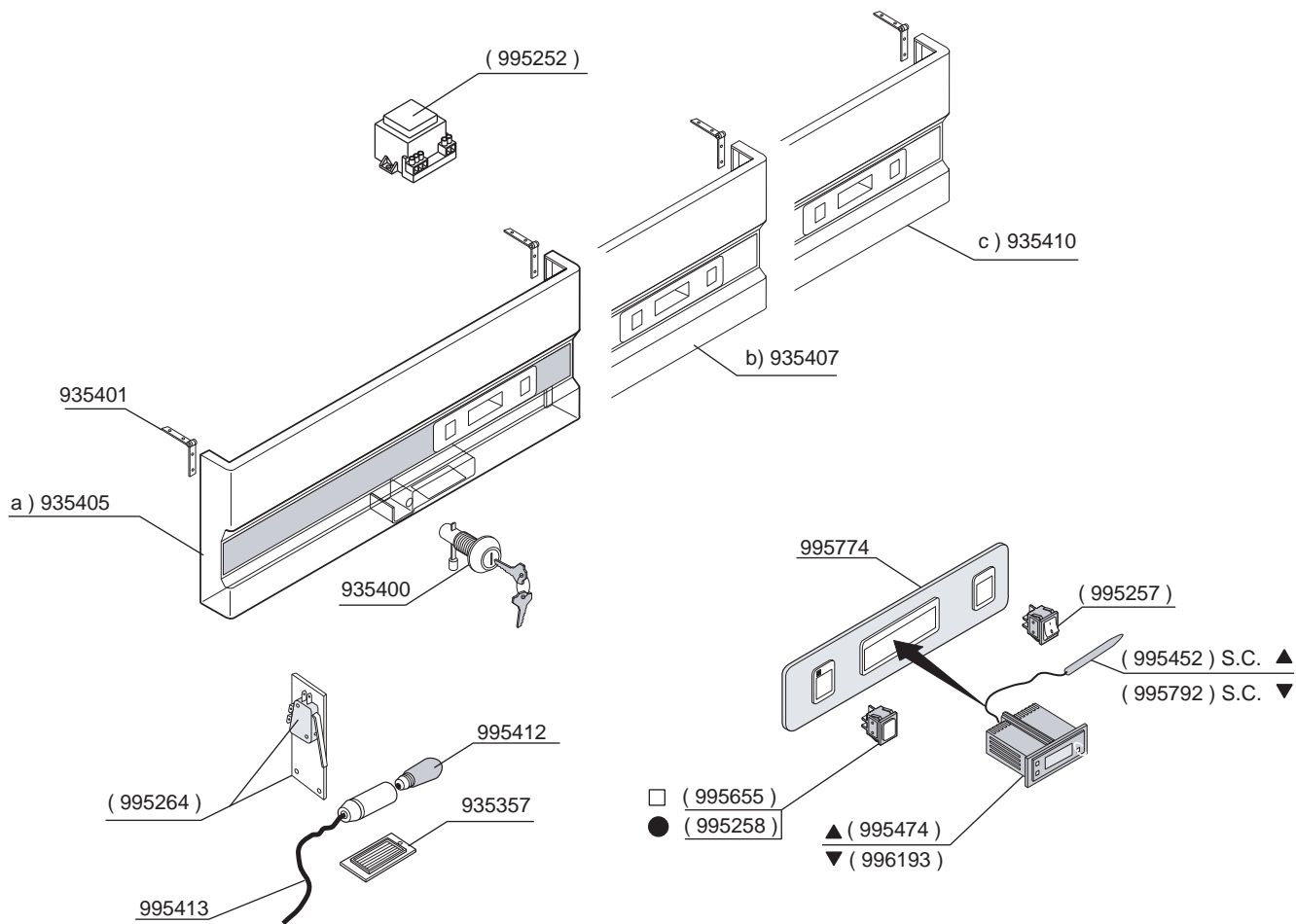
UNITA' EVAPORATRICE ARMADI PREDISPOSTI
EVAPORATING UNIT OF REMOTE CONTROLLED REFR.CABINETS

RIF.
REF.

Da matricola n°
From serial n°

R134a
R404A

951016/111



a) AR 600 /AR 700
 b) AR 1200 /AR1400
 c) AR 2100

▲ S.C. - Sonda Cella (GRIGIA) - CELL PROBE (GREY)
 ▼ S.C. - Sonda Cella (NERA -THERM) - CELL PROBE (BLACK-THERM)

(.....) **RICAMBIO CONSIGLIATO**
 (.....) **SUGGESTED SPARE-PARTS**

PANNELLO COMANDI ARMADIO "TN" ELETTRONICO CONTROL PANEL FOR "NORMAL-TEMPERATURE" ELECTRONIC REF CABINET		RIF. REF.	Da matricola n° From serial n°
●	PORTE VETRO GLASS DOORS	EWPC	950904/111
□	PORTE CIECHE SOLID DOORS	▲	20030530000099
		▼	20030603000001
friulinox 33083 TAIEDO DI CHIONS PORDENONE - ITALY		RIPRODUZIONE, ANCHE PARZIALE, VIETATA ESP1001-(150)	

