

( I ) = INOX - STAINLESS/STEEL  
( B ) = BIANCO - WHITE

● GN 2/1 - GN 2/1  
○ GN 2/1 - RIDOTTO - GN 2/1 REDUCED

**ARMADIO GN 2/1 - GN 2/1 RIDOTTO**  
REFRIGERATING CABINET GN 2/1 - GN 2/1 REDUCED

RIF. REF. Da matricola n°  
From serial n°

a ARMADIO CON PORTA INTERNA - FULL DOOR REFRIGERATING CABINET  
b ARMADIO CON PORTA MEZZA - HALF DOOR REFRIGERATING CABINET  
c ARMADIO CON SERVIZIO ITTICO - CABINET FOR FISH-SHOPS

930302/113

**friulinox** 33082 AZZANO DECIMO  
PORDENONE - ITALY

RIPRODUZIONE, ANCHE PARZIALE, VIETATA

**ESP1001-(01)**

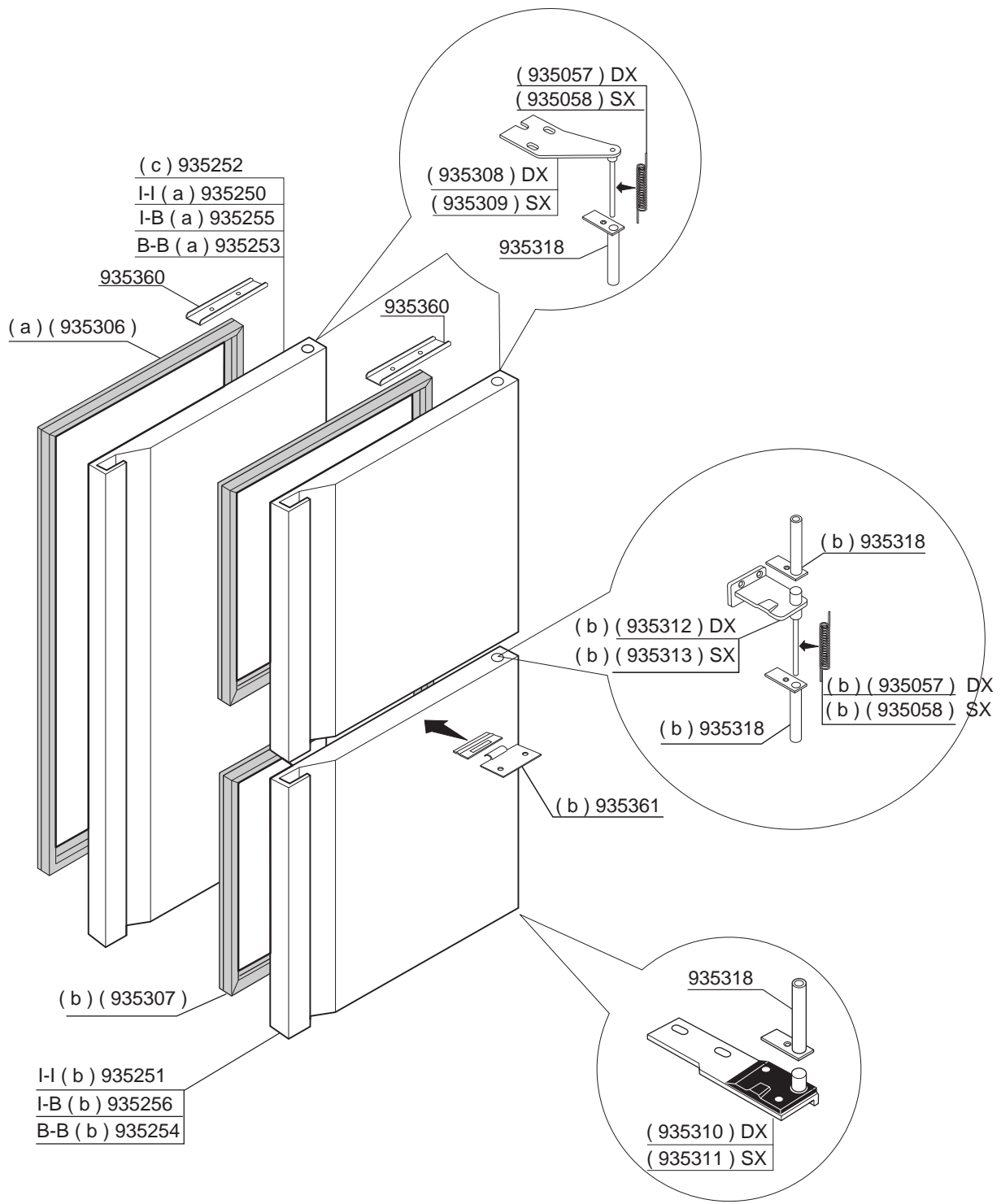
<b>Cod.</b>	<b>Descrizione</b>	<b>Description</b>
935234	MONTANTE ANTERIORE INTERO MNSC	FRONT RACK SUPPORT
935235	MONTANTE ANTERIORE MEZZO MNSC	FRONT HALF-RACK SUPPORT
935236	MONTANTE POSTERIORE INTERO MNSC	REAR RACK SUPPORT
935237	MONTANTE POSTERIORE MEZZO MNSC	REAR HALF-RACK SUPPORT
935353	RESISTENZA PORTA INTERA AF MNSC 52W	DOOR HEATER (52W) FOR FREEZER-BT-CUPB.
935354	RESISTENZA PORTA MEZZA AF MNSC 68W	HALF DOOR HEATER(68W)FOR FREEZER BT CUPB
935358	ASS.TRAVERSA 1/2 PORTE INOX AR MONOSCOC.	CROSS FRAME FOR S/S HALF DOORS
935359	ASS.TRAVERSA 1/2 PORTE BIANCA AR MONOSC.	CROSS FRAME FOR WHITE HALF/DOORS
935440	CONVOGLIATORE GN DX AR MNSC	GN RIGHT CONVEYOR - CUPBOARDS
935441	CONVOGLIATORE GN SX AR MNSC	GN LEFT CONVEYOR - CUPBOARDS
935448	ASS.PROF.BATT.GUARN.+LAMINA L= 710	GASKET RABBET PROFILE L=710
935449	ASS.PROF.BATT.GUARN.+LAMINA L=1550	GASKET RABBET PROFILE L=1550
935470	BACINELLA PLAST. GN2/1 RID.H=100	PLASTIC CONTAINER H=100 530X550 MM
935471	FALSO FONDO FORATO 530X550 MM	FALSE DRILLED BOTTOM 530X550MM
935473	ASS.PROF+LAMINA BATT.GUARNI L=609AR	PROFILE + GASKET RABBET
990010	FALSO FONDO FORATO INOX 470X265X 15H	DRIP TRAY GN1/1 ST.STEEL 470X265X15 MM
990013	BACINELLA GN 1/1 PLASTICA 325X530X100H	GN1/1 PLASTIC CONTAINER H=100
990057	COPPIA GUIDA A-C-PER AR700MSC	PAIR OF-C-SHAPE SLIDES FOR REFR.CUPB.700
990058	COPPIA GUIDA A'C'PER AR600MSC L=560	PAIR OF SLIDES 'C' REFR.CAB. 600 L=560
930269	ASSIEME PIEDINO TR NEW 2' H=145-205	GASKET FOOT TR NEW 2' H=145-205
995460	RACCORDO DI SCARICO VANO PESCE AR MNSC	OUTLET PIPE FOR FISH COMPARTMENT - AR
996042	ASS. PIEDINO CON PERNO M10 +DADO M10	STAINLESS STEEL FEET 2" M10+SCREW M10

ARMADIO GN 2/1 - GN 2/1 RIDOTTO  
REFRIGERATING CABINET GN 2/1 - GN 2/1 REDUCED

**friulinox** 33082 AZZANO DECIMO  
PORDENONE - ITALY

RIPRODUZIONE,ANCHE PARZIALE,VIIETATA

**ESP1001-(01)**



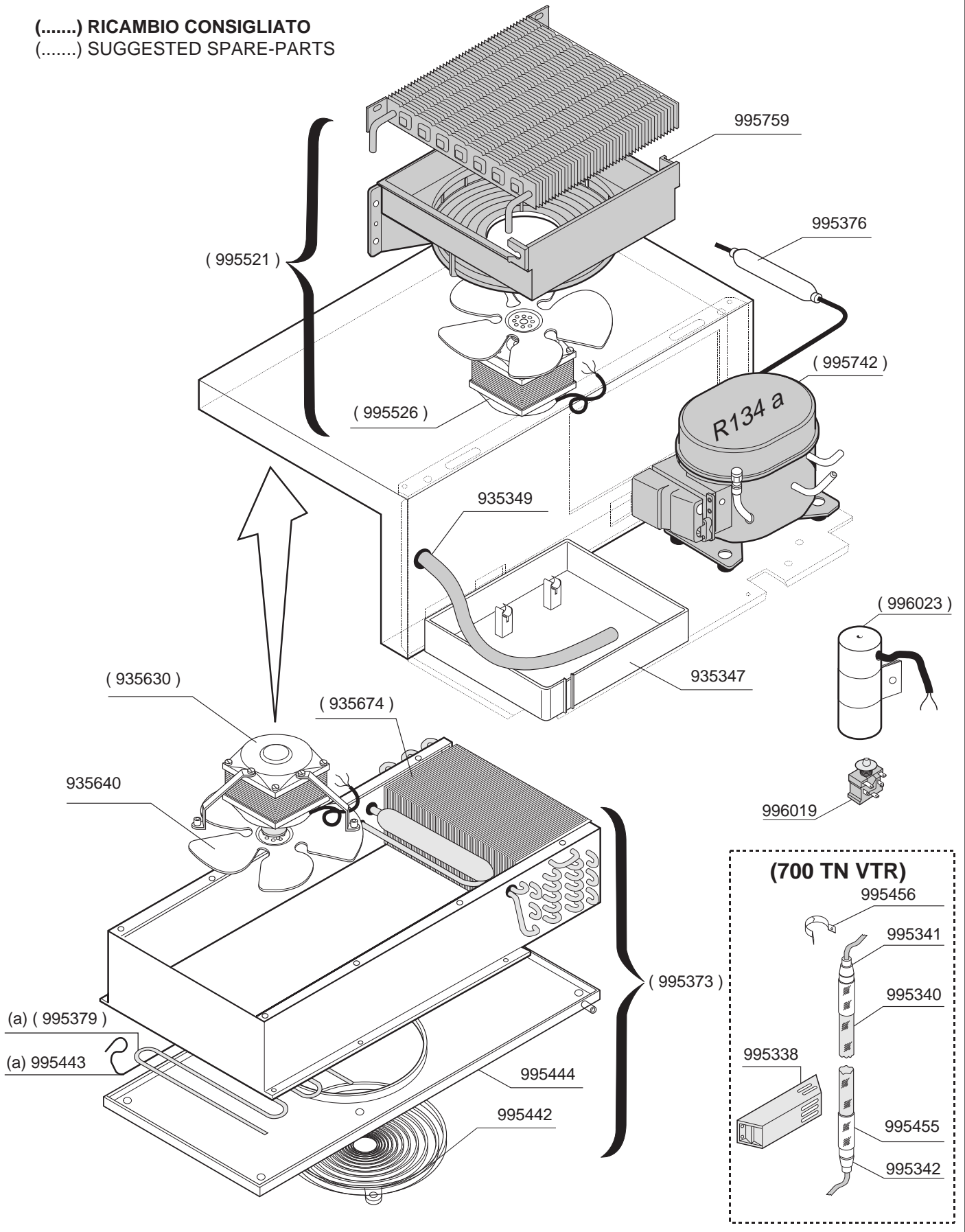
(I) = INOX - STAINLESS/STEEL  
 (B) = BIANCO - WHITE

(.....) **RICAMBIO CONSIGLIATO**  
 (.....) **SUGGESTED SPARE-PARTS**

<b>PORTE CIECHE</b> SOLID DOORS		RIF. REF.	Da matricola n° From serial n°
a	PORTA INTERA FULL DOOR		930302/113
b	PORTA MEZZA HALF DOOR		
c	PORTA INTERA PASTICCERIA PROFONDITA' 700 - FULL DOOR CONFECTIONERY DEPTH 700		
<b>friulinox</b> 33083 TAIEDO DI CHIONS PORDENONE - ITALY		RIPRODUZIONE, ANCHE PARZIALE, VIETATA <b>ESP1001-(11)</b>	



(.....) RICAMBIO CONSIGLIATO  
 (.....) SUGGESTED SPARE-PARTS



IMPIANTO FRIGO "700 TN"/ "700 TN VTR" "700 TN CON CASSETTI"/"TN 750"  
 REFRIGERATED UNIT "700 NT" / "700 NT VTR" / "700 NT WITH DRAWERS"/"NT 750"

RIF. REF. Da matricola n°  
 From serial n°

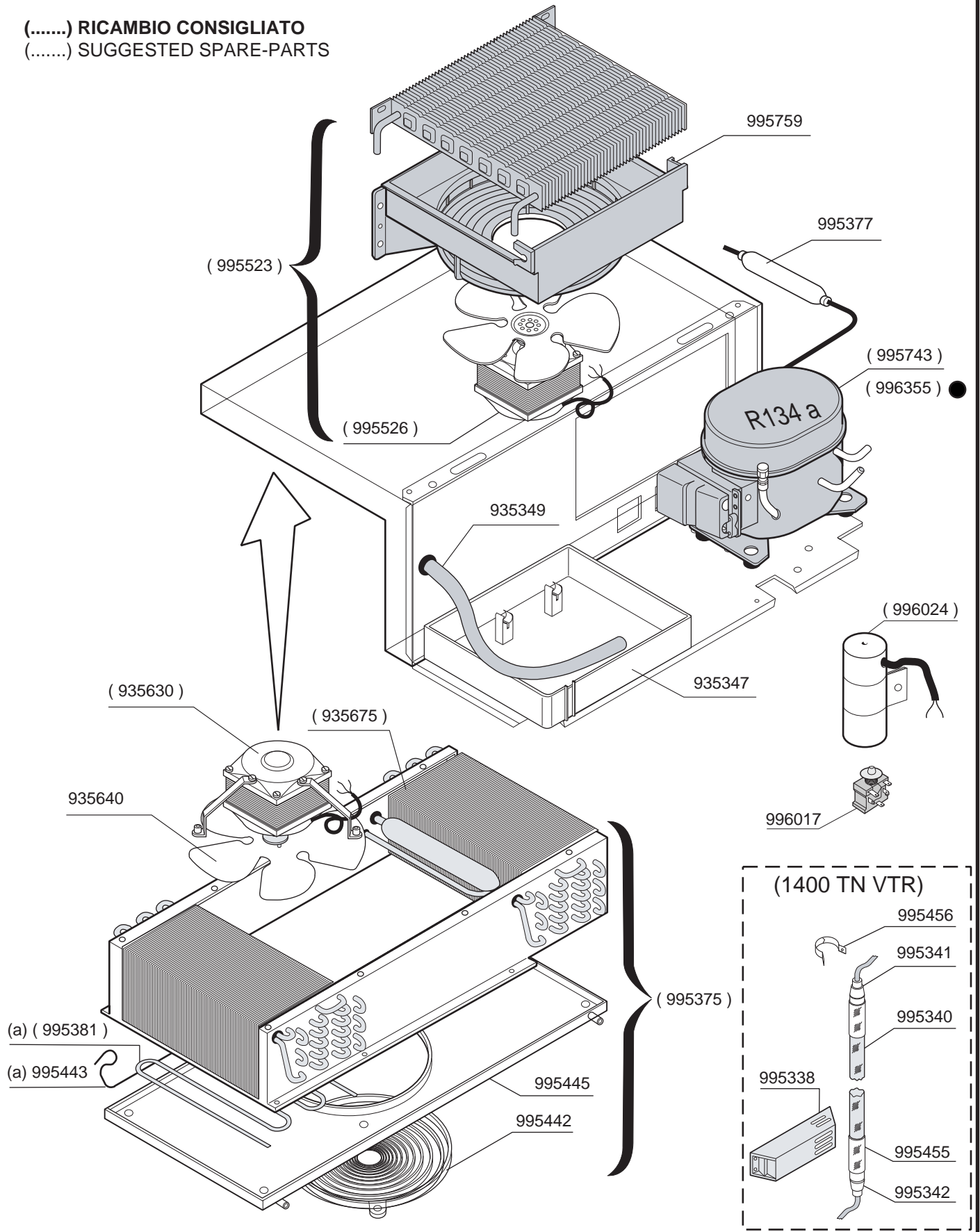
a ARMADIO REFRIGERATO (-2/+8°C) REFRIGERATED CABINET (-2/+8°C)

R 134a 960708/109

<b>Cod.</b>	<b>Descrizione</b>	<b>Description</b>
935347	VASCHETTA EVAP.CONDENZA AR7 MNSC	TRAY FOR CONDENSATE EVAPORATION - AR7
935349	TUBO SCARICO CONDENZA DX AR MNSC	PIPE (RIGHT) FOR CONDENSATE OUTLET
935630	MOTORE 10W 230V-50/60HZ FIS.VITE	ENGINE 10W 230V-50/60HZ SCREW FIXING
935640	VENTOLA 230-23° ASPIR. 230 23 AA	FAN 230-23° ASPIR. 230 23AA
935674	EVAPORATORE 6R-6T AR6-7 MNSC	EVAPORATOR 6R-6T AR6-7 MNSC
995338	REATTORE ELETTRONICO 2X36 TN	ELECTRONIC REACTOR 2X36 NT CHILLER
995340	LAMPADA NEON DA 36W L=1200	TUBULAR LAMP - 36W L=1200
995341	CAVETTO X L/NEON MOD.P1016 L=1500	WIRE FOR TUB.LAMP. MOD.P1016 L=1500
995342	CAVETTO X L/NEON MOD.P1016 L=2780	WIRE FOR TUB. LAMP.MOD. P1016 L=2780
995373	ASSIEME EVAPORATORE 6R-6T AR6-7 MNSC	S/S EVAPORATOR 6R-6T AR6-7
995376	FILTRO DEIDRATORE 15 GR 6X3	DEHYDRATOR FILTER 15GR.
995379	RESISTENZA EVAPORATORE AR7 MNSC	EVAPORTOR HEATER AR7
995442	GRIGLIA PROTEZ.VENTILAT.EVAP.MNSC	PROTECTION GRID FOR EVAPORATOR FAN
995443	MOLLA FISS.RESISTENZA EVAPOR.MNSC	FLAT SPRING TO FIX EVAPORATOR HEATER
995444	COPERCHIO EVAPORATORE AR6-7 MNSC	EVAPORATOR COVERING AR6-7 MNSC
995455	TUBO PLEXIGLAS X AR PORTE VETRO	PLEXIGLASS PIPE FOR GLASS DOOR CUPBOARDS
995456	GRAFFETTA FISSA TUBO NEON AR PORTE VETRO	CLIP FOR TUBULAR LAMP
995521	CONDENSATORE STVF 124 CONVOGL.RINF.	CONDENSER STVF 124 -REINF.CONVEYOR W/CUR
995526	VENTILATORE COND.STVF 12/20 D=254	STVF CONDENSER FAN 12/20 D=254
995742	COMPRESSORE B6170Z R134A	COMPRESSOR B6170Z - R134A
995759	CONVOGLIAT.PER CONDENS.STVF 124/194	CONVEYOR FOR CONDENSER STVF 124/194
996019	RELE' AVVIAMENTO DANFOSS '117U6010'	STARTING RELAIS DANFOSS '117U6010'
996023	CONDENSATORE EL. DANFOSS '117U5015'	CONDENSER EL. DANFOSS '117U5015'

IMPIANTO FRIGO "700 TN"/ "700 TN VTR" "700 TN CON CASSETTI" "750 TN"  
 REFRIGERATED UNIT "700 NT" / "700 NT VTR" / "700 NT WITH DRAWERS" "750 LT"

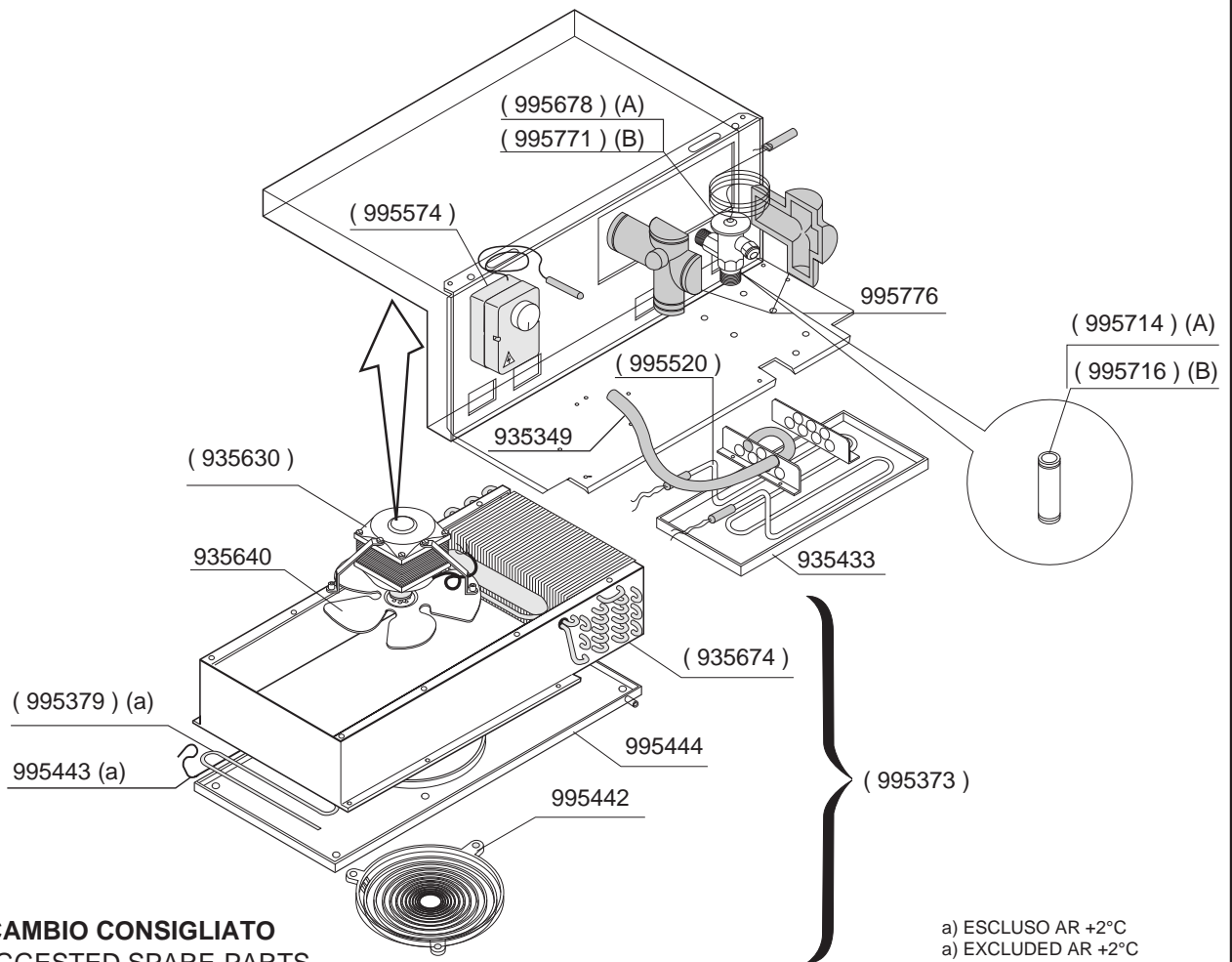
(.....) RICAMBIO CONSIGLIATO  
 (.....) SUGGESTED SPARE-PARTS



<b>IMPIANTO FRIGO "1400 TN" / "1400 TN VTR" / "1400 ITTICO"</b> <b>REFRIGERATED UNIT "1400 NT" / "1400 NT VTR" / "1400 FISH"</b>		RIF. REF.	Da matricola n° From serial n°
a	ARMADIO REFRIGERATO (-2/+8°C) REFRIGERATED CABINET (-2/+8°C)	R 134a ●	961014/110 2006030600001



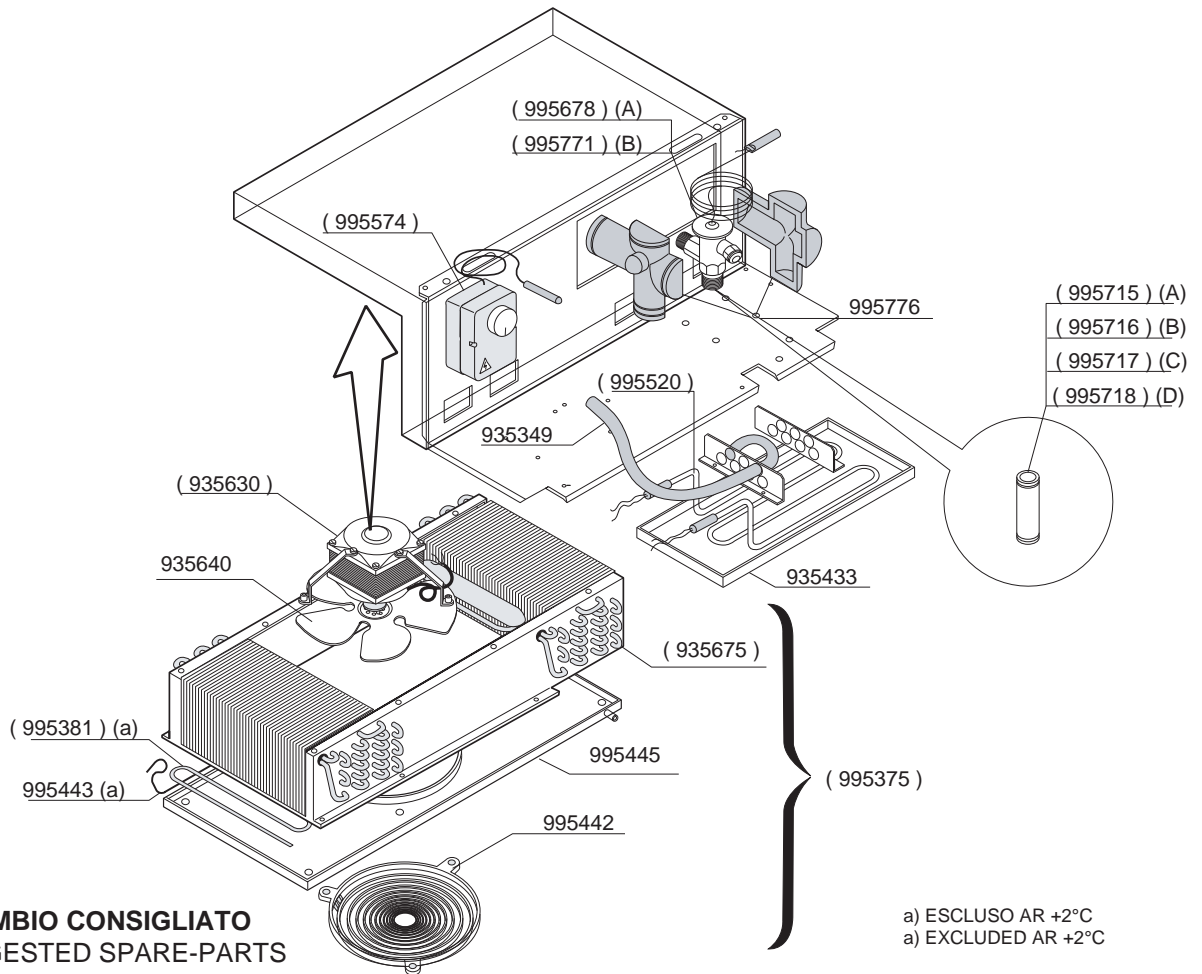


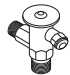

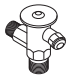



ARMADI 1 TEMPERATURA ONE TEMPERAT.CABINETS			ARMADI 2 TEMPERATURE TWO TEMPERAT.CABINETS						ARMADI 3 TEMPERATURE THREE TEMP.CABINETS					
AR6 +2	A	A	ARR122	①	A	A	ARP141	①	A	A	ARRP	①	A	A
AR6 -2	A	A		②	A	A		②	A	A		②	/	/
AR6 PA	A	A	ARP122	①	A	A	ARF141	①	A	A		③	/	/
AR6 +2 VTR	A	A		②	A	A		②	A	B	ARRF	①	A	A
AR6 -2 VTR	A	A	ARF122	①	A	A	AFP141	①	B	B		②	/	/
AP6 -4	A	A		②	B	A		②	A	A		③	/	/
AF6 -20	A	A	AFP122	①	B	A	ARR142 VTR	①	A	A	ARRR21	①	A	A
AF6 PA	A	A		②	A	A		②	A	A		②	A	A
AR7 +2	A	A	ARR142	①	A	A	ARF142 VTR	①	A	A		③	A	A
AR7 -2	A	A		②	A	A		②	/	/		①	A	A
AR7 +2CAS	A	A	ARP142	①	A	A	ARR212	①	/	/	ARRP21	②	A	A
AR7 -2 CAS	A	A		②	A	A		②	A	A		③	A	A
AR7 +2 VTR	A	A	ARF142	①	A	A	ARP212	①	/	/	ARRF21	①	A	A
AR7 -2 VTR	A	A		②	B	B		②	A	A		②	A	A
AR7 PIZ	A	A	AFP142	①	B	B	ARF212	①	/	/		③	B	B
AR7 S/V	A	A		②	A	A		②	B	B		①	A	A
AR7 PA	A	A	ARP121	①	A	A	ARP211	①	/	/	ARFP21	②	B	B
AP7 -4	A	A		②	A	A		②	A	A		③	A	A
AP7 -4 CAS	A	A	ARF121	①	A	A	ARF211	①	/	/	ARRF21 VTR	①	A	A
AE7	A	A		②	A	A		②	B	B		②	A	A
AF7 -25	B	B	AFP121	①	B	A	ARR212 VTR	①	/	/		③	/	/
AF7 PA	B	B		②	A	A		②	A	A				
			ARR141	①	A	A	ARF VTR	①	/	/				
				②	A	A		②	/	/				

<b>UNITA' EVAPORATRICE ARMADI PREDISPOSTI</b> EVAPORATING UNIT OF REMOTE CONTROLLED REFR.CABINETS		RIF. REF.	Da matricola n° From serial n°
		R134a R404A	951016/111

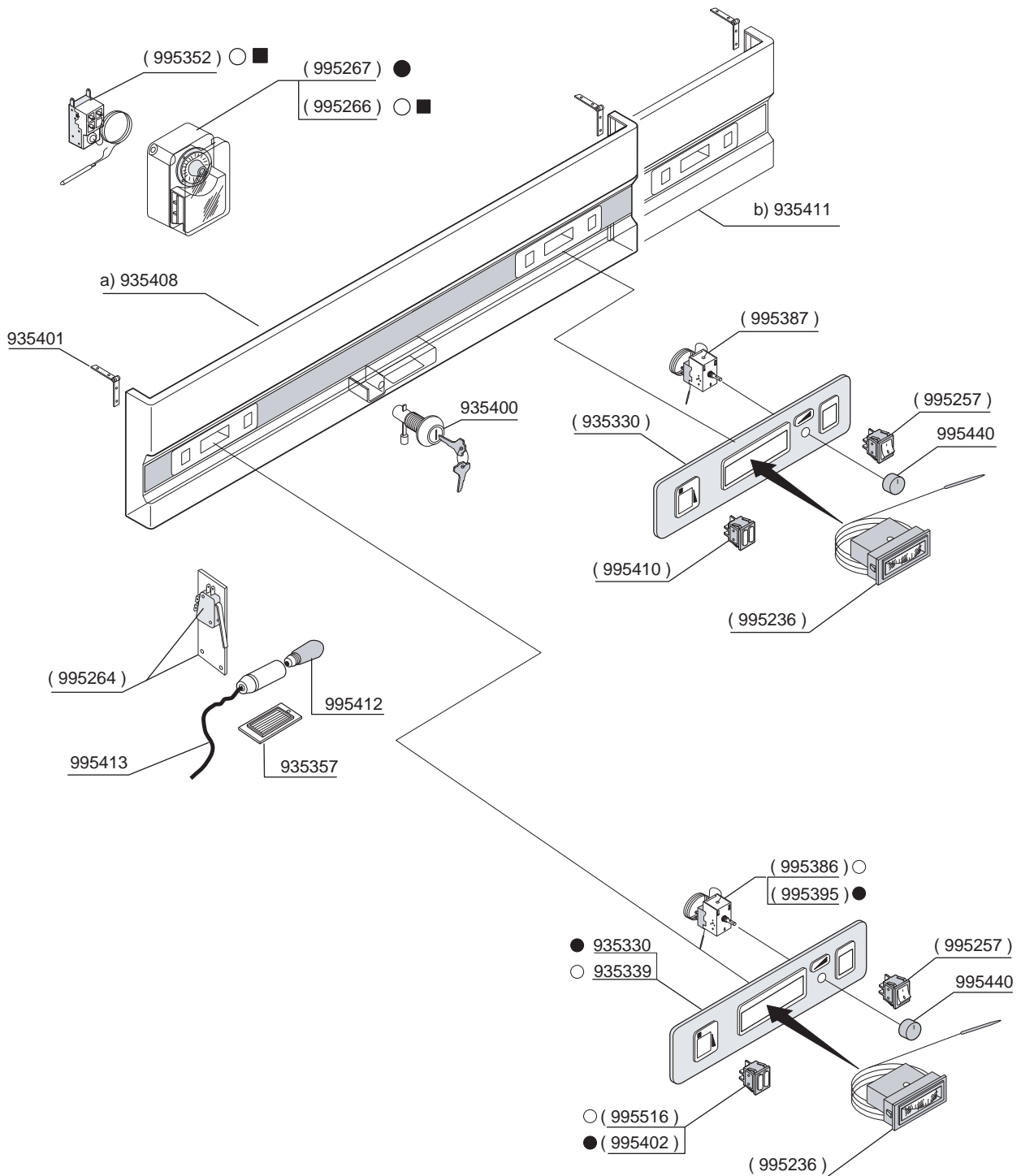




ARMADI 1 TEMPERATURA ONE TEMPERAT.CABINETS			ARMADI 2 TEMPERATURE TWO TEMPERAT.CABINETS					
								
AR12 +2	A	A	ARR212	① A	A			
AR12 -2	A	A		② /	/			
AR12 PA	A	A	ARP212	① A	A			
AR12 +2 VTR	A	A		② /	/			
AR12 -2 VTR	A	A	ARF212	① A	A			
AF12 -20	B	B		② /	/			
AF12 PA	B	B	ARP211	① A	A			
AR12 -20VTR	B	C		② /	/			
AR14 +2	A	A	ARF211	① A	A			
AR14 -2	A	A		② /	/			
AR14 +2 VTR	A	A	ARR212 VTR	① A	A			
AR14 -2 VTR	A	A		② /	/			
AR14 PIZ	A	A	ARF VTR	① A	A			
AR14 S/V	A	A		② /	/			
AR14 PA	A	A						
AP14 -4	A	A						
AE14	A	A						
AF14	B	B						
AR21 +2 VTR	A	B						
AR21 -2 VTR	A	B						
AR21 S/V	A	B						
AP21 -4	A	B						
AE21	A	D						
AR21 +2	A	B						
AR21 -2	A	B						

<b>UNITA' EVAPORATRICE ARMADI PREDISPOSTI</b> EVAPORATING UNIT OF REMOTE CONTROLLED REFR. CABINETS		RIF. REF.	Da matricola n From serial n
		R134a R404A	951016/111





a) AR 1200/AR 1400  
b) AR 2100

(.....) RICAMBIO CONSIGLIATO  
(.....) SUGGESTED SPARE-PARTS

**PANNELLO COMANDO ARMADIO "TN+ITTICO" MECCANICO**  
CONTROL PANEL FOR "NORMAL-TEMP.+FISH SERVICE" MECH.REFR.CABINET

RIF.  
REF.

Da matricola n°  
From serial n°

- ARMADIO REFRIGERATO (+2/+8 °C) REFRIGERATED CABINET (+2/+8 °C)
- ARMADIO REFRIGERATO (-2/+8 °C) REFRIGERATED CABINET (-2/+8 °C)
- ARMADIO REFRIGERATO (-4/+6 °C) REFRIGERATED CABINET (-4/+6 °C)

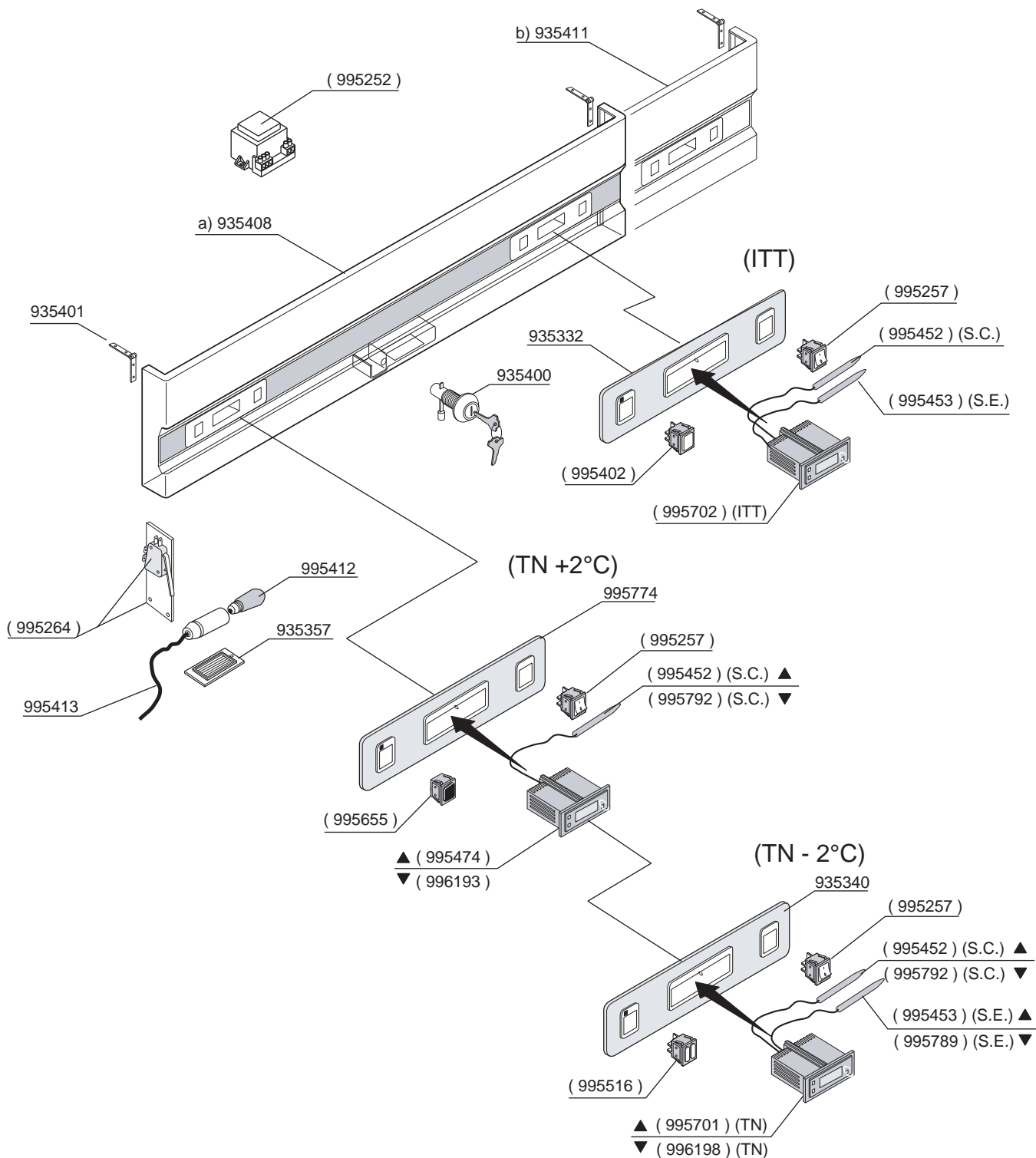
930302/113

**friulinox** 33083 TAIEDO DI CHIONS  
PORDENONE - ITALY

RIPRODUZIONE, ANCHE PARZIALE, VIETATA

**ESP1001-(111)**





a) AR 1200/AR 1400  
b) AR 2100

▲ S.E - SONDA EVAPORATORE (ROSSA) - EVAPORATOR PROBE (RED)  
S.C. - SONDA CELLA (GRIGIA) - CELL PROBE (GREY)

▼ S.E - SONDA EVAPORATORE (BLACK - DEF) - EVAPORATOR PROBE (BLACK-DEF)  
S.C. - SONDA CELLA (NERA - THERM) - CELL PROBE (BLACK-THERM)

(.....) **RICAMBIO CONSIGLIATO**  
(.....) **SUGGESTED SPARE-PARTS**

**PANNELLO COMANDO ARMADIO "TN+ITTICO" ELETTRONICO**  
CONTROL PANEL FOR "NORMAL -TEMP + FISH SERVICE" ELECTR. REFR. CABINET

RIF.  
REF.

Da matricola n°  
From serial n°

EWPC

950904/111  
▲ 20030530000099  
▼ 20030603000001

<b>Cod.</b>	<b>Descrizione</b>	<b>Description</b>
935332	MASCHERINA COMANDI AR BT-ITT ELETT.	CONTROL PANEL FREEZER
935340	MASC.COMANDI AR TN UR% MIN/MAX ELET	CONTROL PANEL CHILLER
935357	VETRINO PROTEZIONE LAMPADA AR MNSC	LAMP PROTECTION GLASS
935400	SERRATURA A CHIAVE X AR MNSC/22	KEY-LOCKING DEVICE FOR REFR.CUPBOARDS
935401	KIT CERNIERA PER CRUSCOT.AR MNSC/22	HINGE KIT FOR FRONT PANEL
935408	CRUSCOTTO BLU MECCAN AR 14 2T MNSC/	BLUE FRONT PANEL FOR MECH.AR14 2T CUPB.
935411	CRUSCOTTO BLU MECCAN AR 21 2T MNSC/	BLUE FRONT PANEL FOR MECH.AR21 2T CUPB.
995252	TRASFORMATORE 3VA 230/12V VDE	TRANSFORMER 3VA 220/12V VDE
995257	INTERRUTTORE GENERALE VERDE PER AR	MAIN SWITCH (GREEN)
995264	MICROINTERRUTTORE PORTA AR	DOOR MICROSWITCH
995402	LAMPADA SPIA GIALLA AR	YELLOW LAMP TR
995412	LAMPADA TUBOLARE 10W E14 AR MNSC	TUBULAR LAMP 10W E14
995413	CAVO CON PORTALAMPADA AR MNSC	BULB SOCKET+WIRE
995452	SONDA PTC GRIGIA SILIC.L=1500 CELLA	PTC PROBE - GREY L=1500
995453	SONDA PTC ROSSA SILIC.L=1500 EVAPOR	SILIC.PTC EVAPORATOR RED PROBE L=1500
995474	TELETERMOSTATO EWPC961 TN°	DIGITAL ELECTRONIC THERMOSTAT EWPC961 NT
995516	DEVIATORE VERDE+SPIA GIALLA	GREEN SWICTH + YELLOW LAMP
995655	TAPPO INTERRUTTORE NERO	BLACK COVERING FOR SWITCH
995701	TELETERMOSTATO EWPC 974 AR TN	DIGITAL ELEC.THERMOSTAT EWPC 974 CHILLER
995702	TELETERMOSTATO EWPC 974 AR ITTICO	DIGITAL ELECTR.THERMOSTAT EWPC974 - FISH
995774	MASCHERINA COMANDI AR TR NEUTRA	CONTROL PANEL B209 - AR TR NEUTRAL
995789	SONDA NTC NERA SBRIN. L=1500 PVC	NTC PROBE - BLACK DEFROST PVC L=1500
995792	SONDA NTC NERA TERM. L=1500 PVC	NTC PROBE - BLACK THERM. PVC L=1500
996193	TELETERMOSTATO ID 961	DIGITAL ELEC.THERMOSTAT ID 961
996198	TELETERMOSTATO ID 974 TN	DIGITAL ELEC.THERMOSTAT ID 974 NT

**PANNELLO COMANDO ARMADIO "TN+ITTICO" ELETTRONICO**  
CONTROL PANEL FOR "NORMAL -TEMP + FISH SERVICE" ELECTR. REFR. CABINET

friulinox 33083 TAIEDO DI CHIONS  
PORDENONE - ITALY

RIPRODUZIONE,ANCHE PARZIALE,VIETATA

**ESP1001-(161)**