

---

# **ESPLOSO ARMADI ECO**

## **EXPLODED VIEWS OF REFRIGERATED CABINETS**

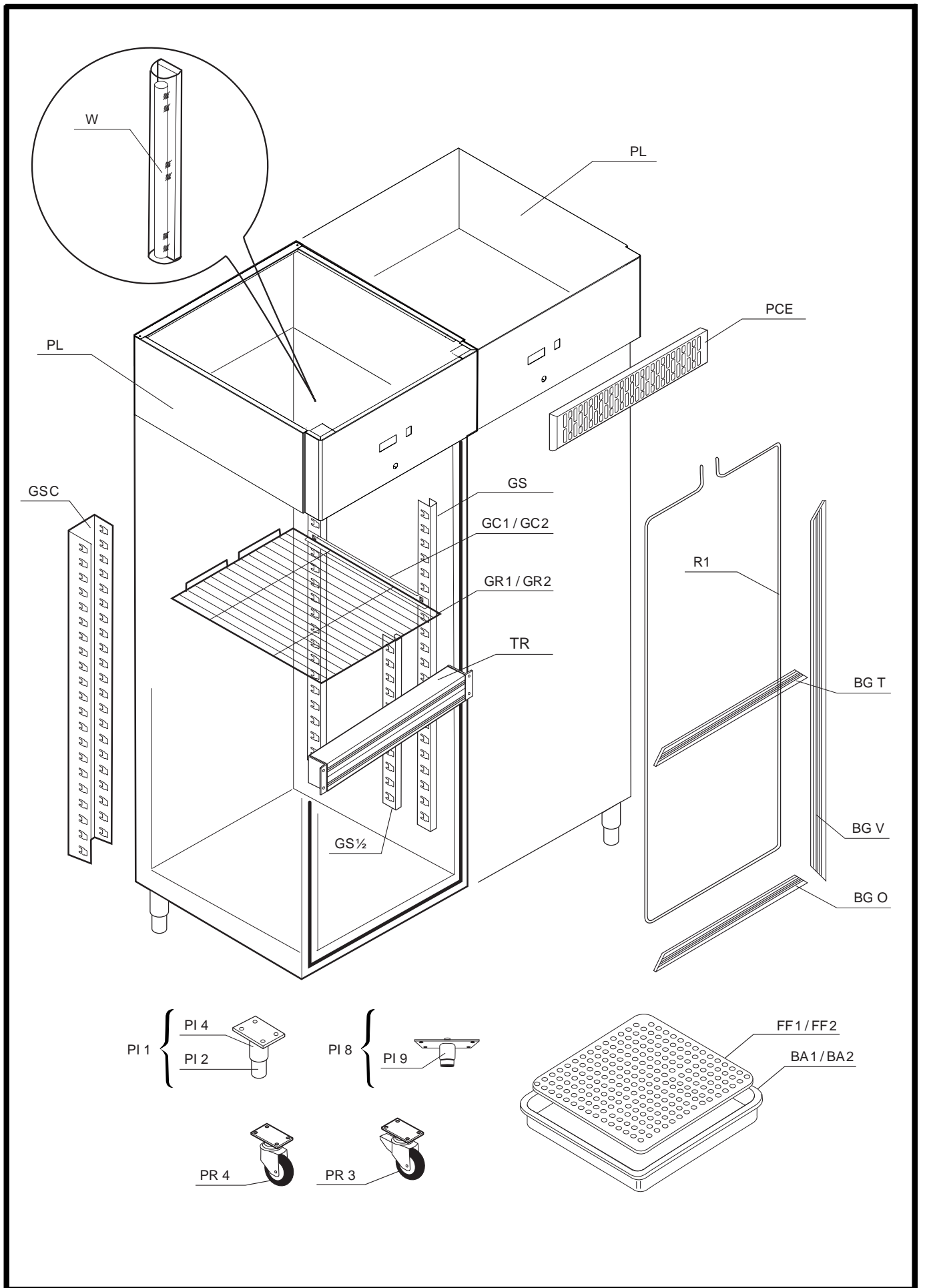
---

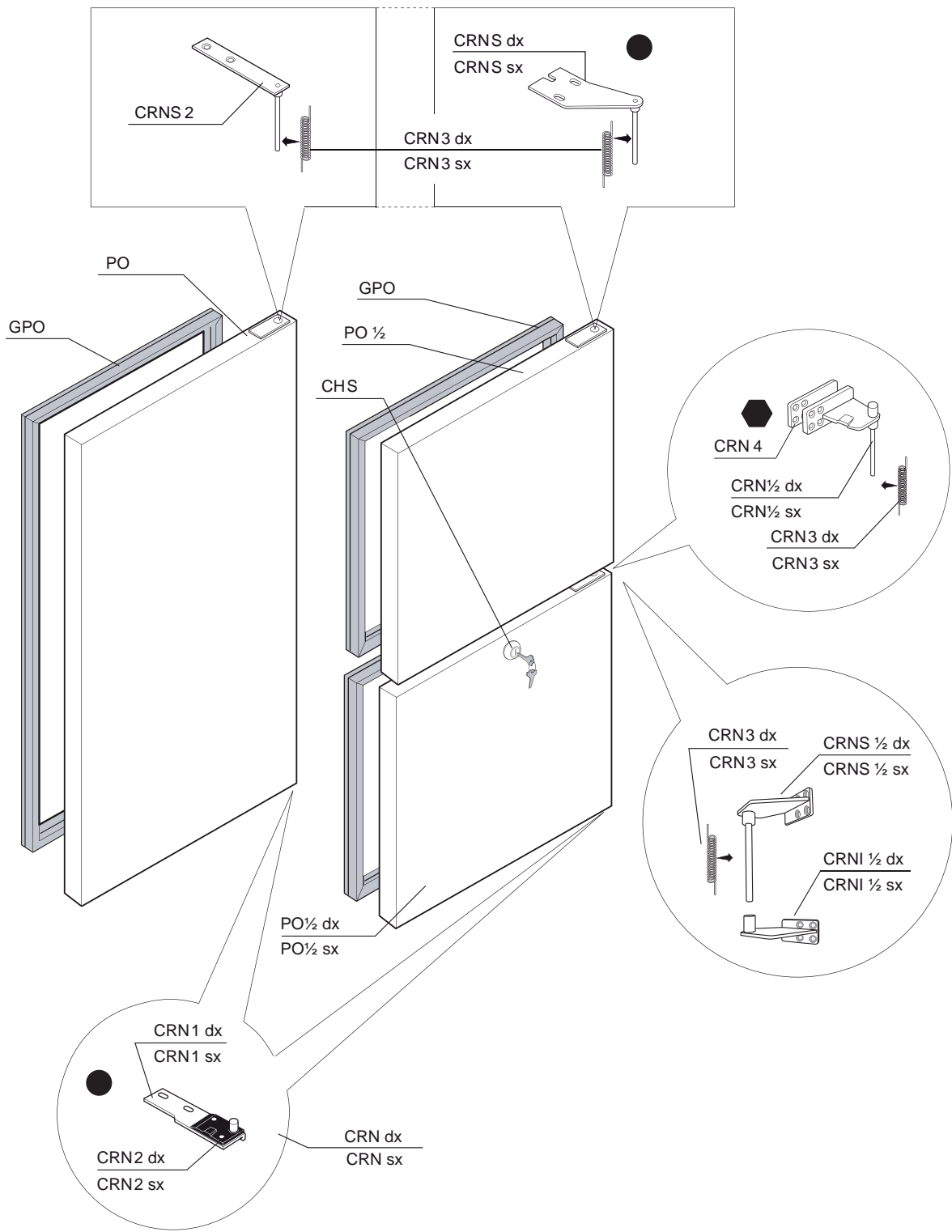
planet  
planecco



---

**ESU0111FJ**





**PO - PO 1/2**

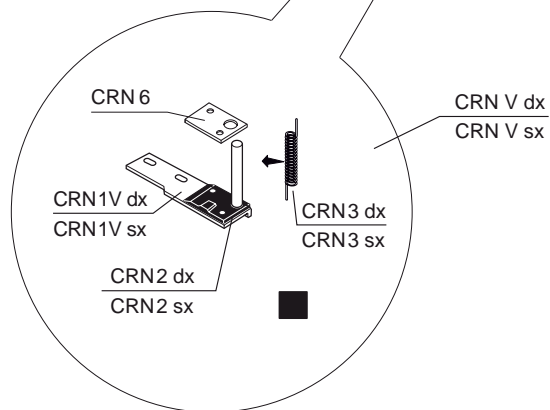
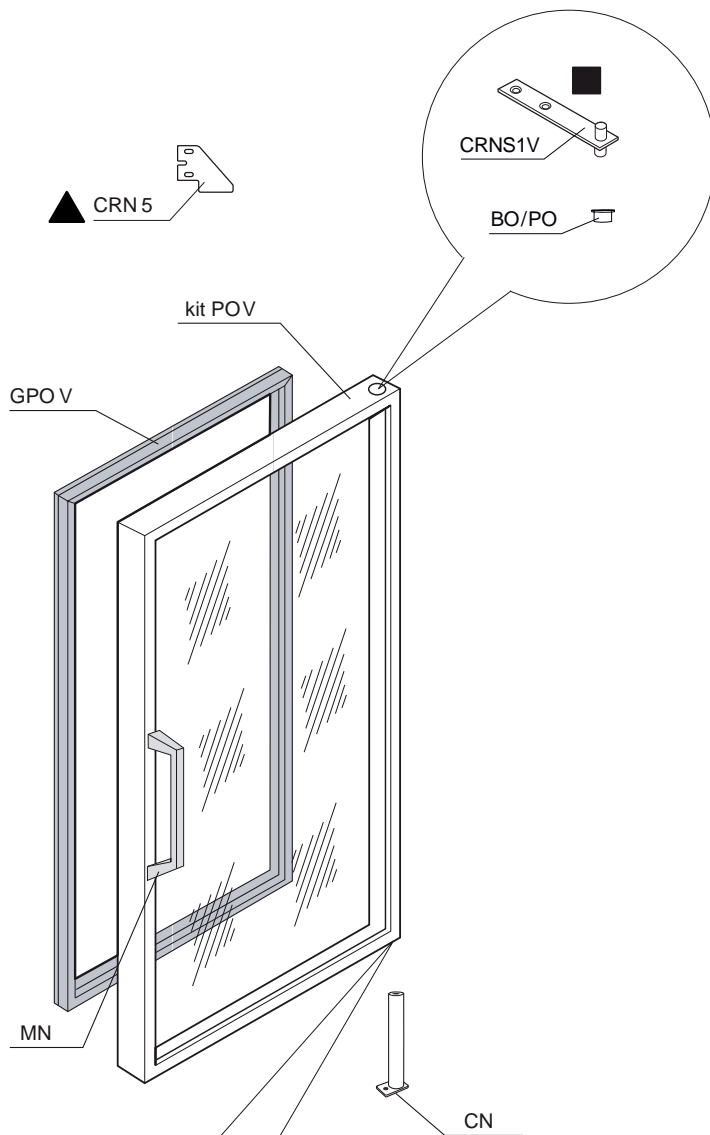


**kit CRN**

kit CRN IPO ---- ● + ▲

kit CRN IP1/2 ---- ● + ▲ + ◆

kit CRN IPV ---- ■ + ▲



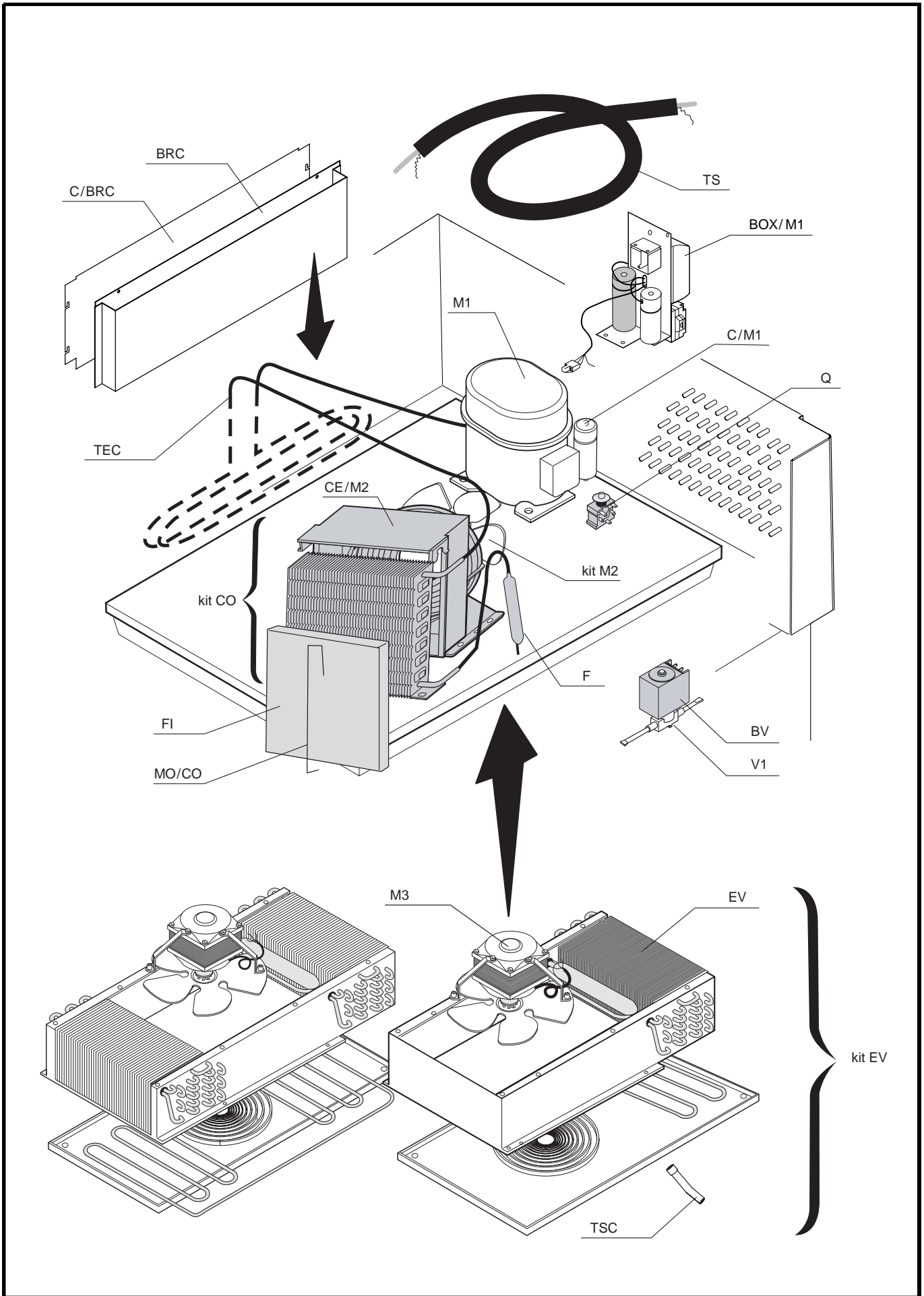
PO VTR

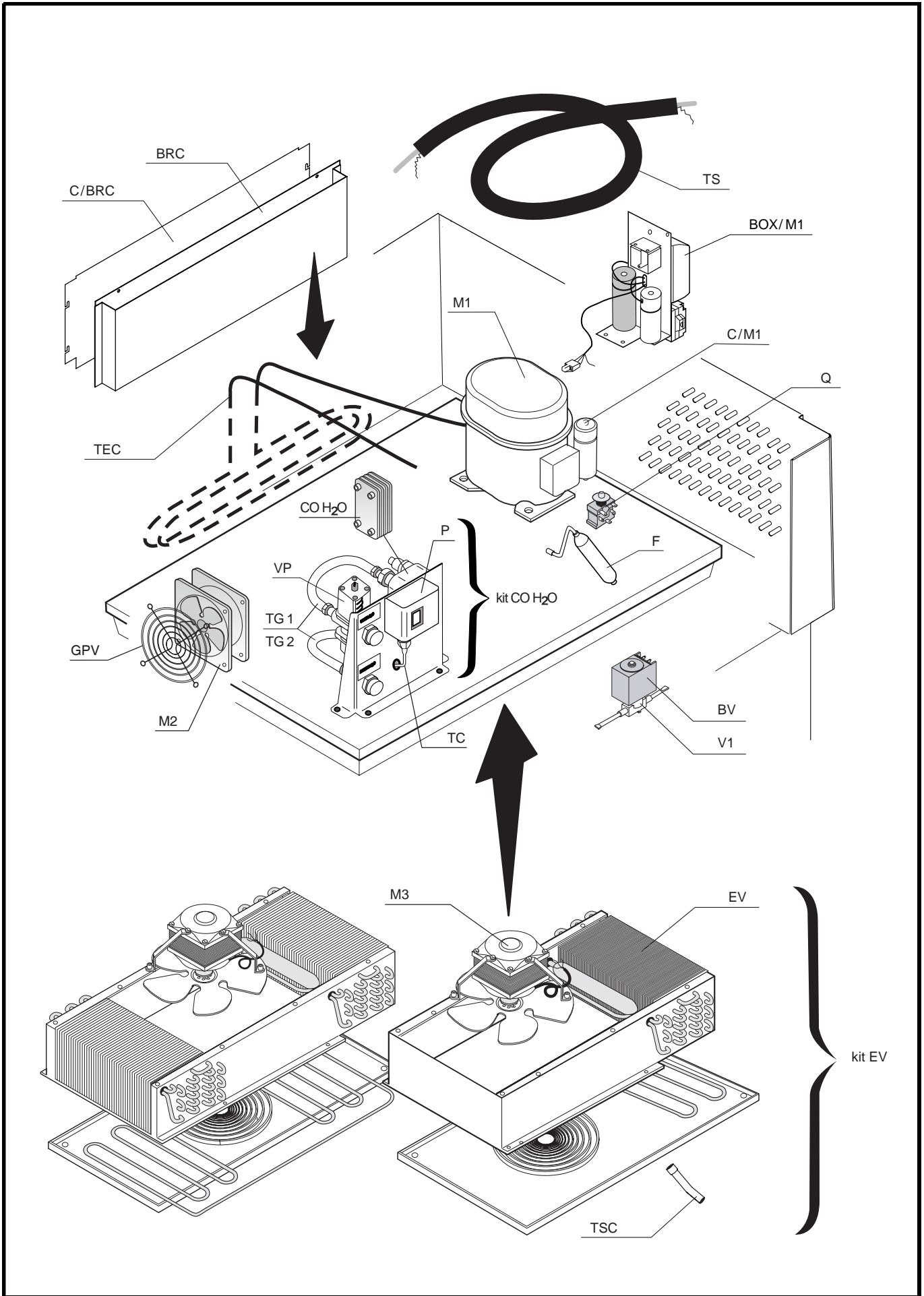
**kit CRN**

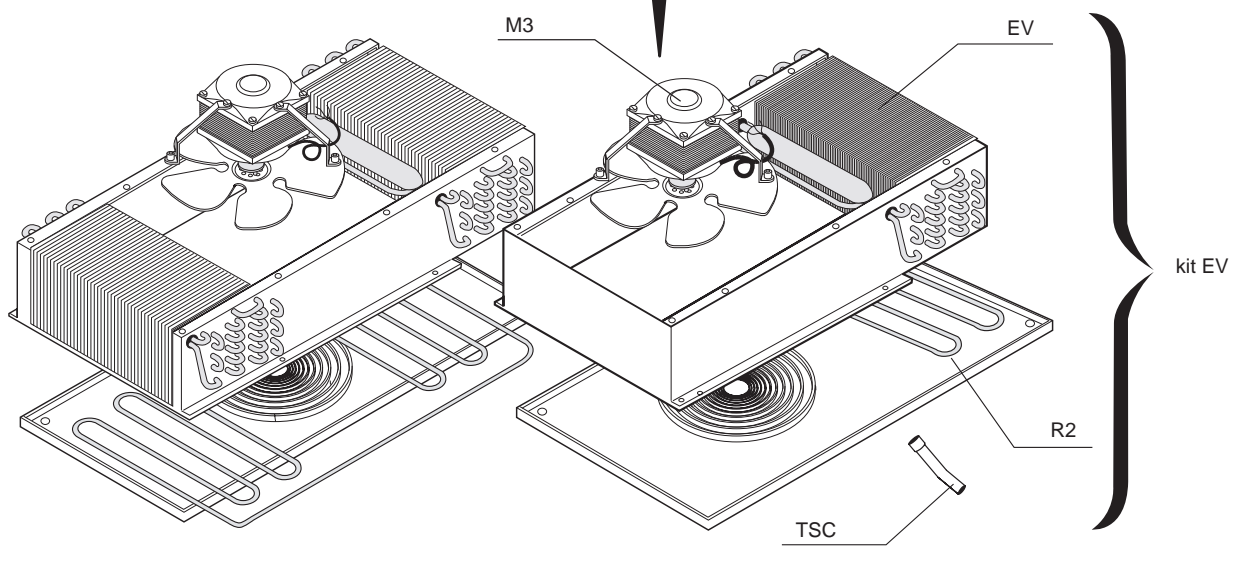
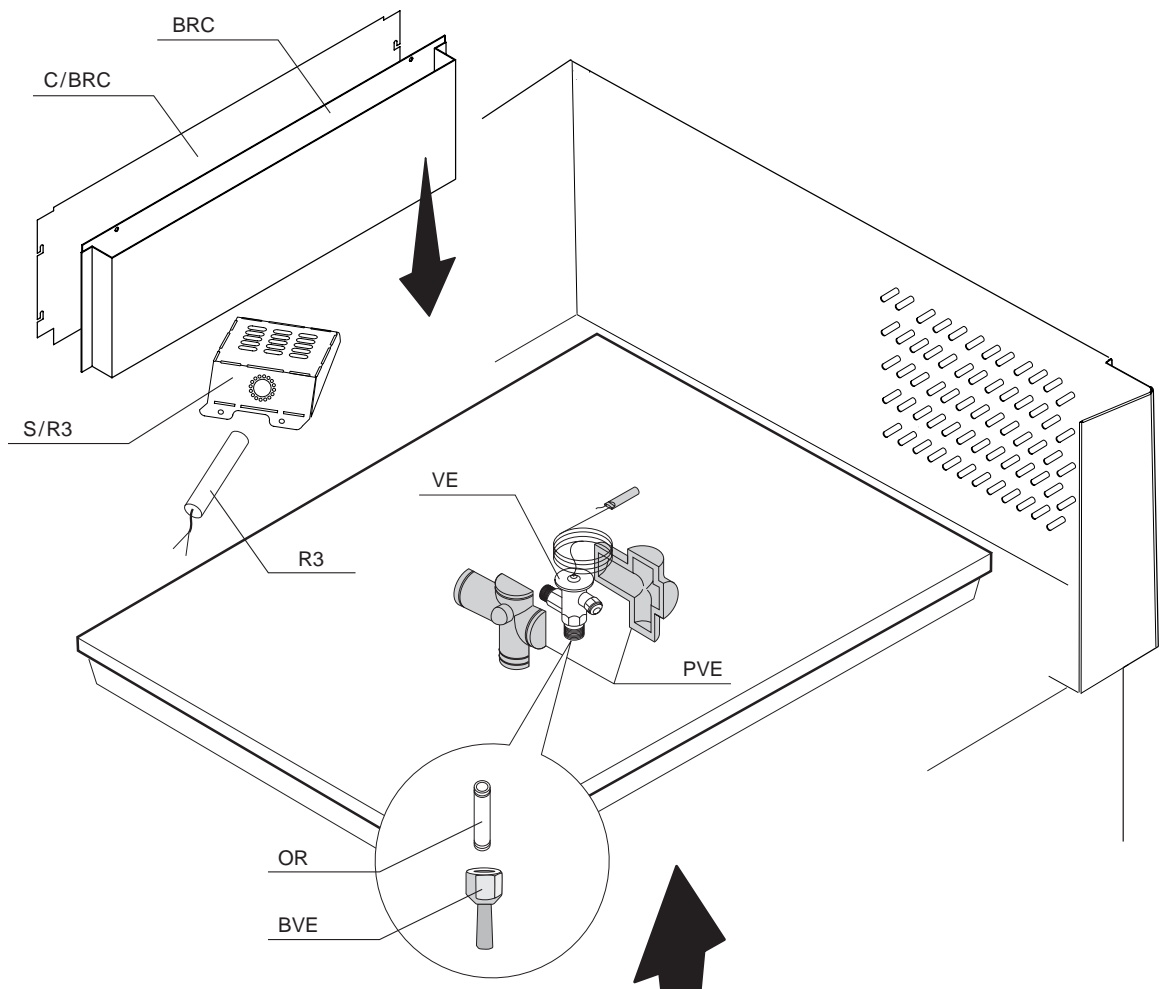
kit CRN IPO ---- ● + ▲

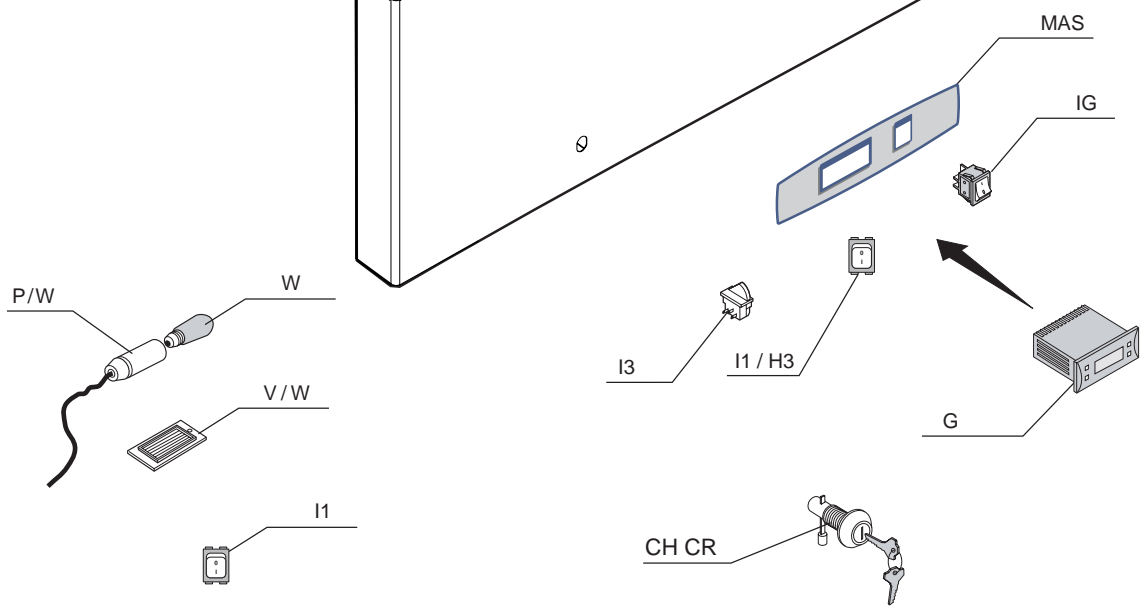
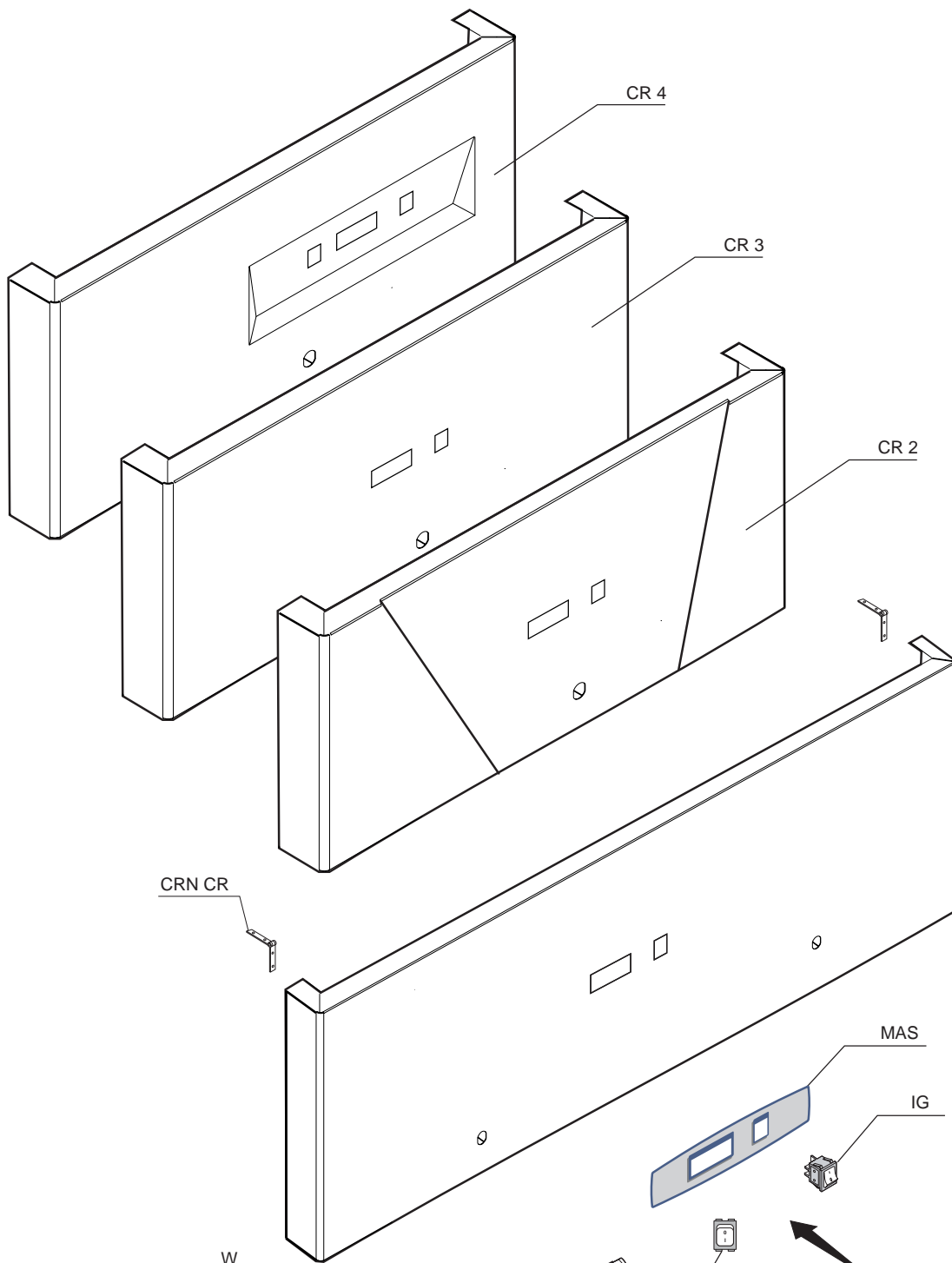
kit CRN IP<sup>1/2</sup> ---- ● + ▲ + ⬡

kit CRN IPV ---- ■ + ▲

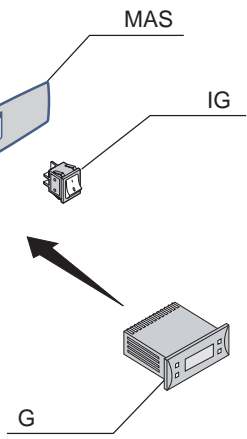
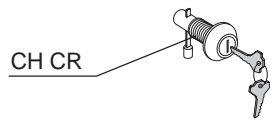
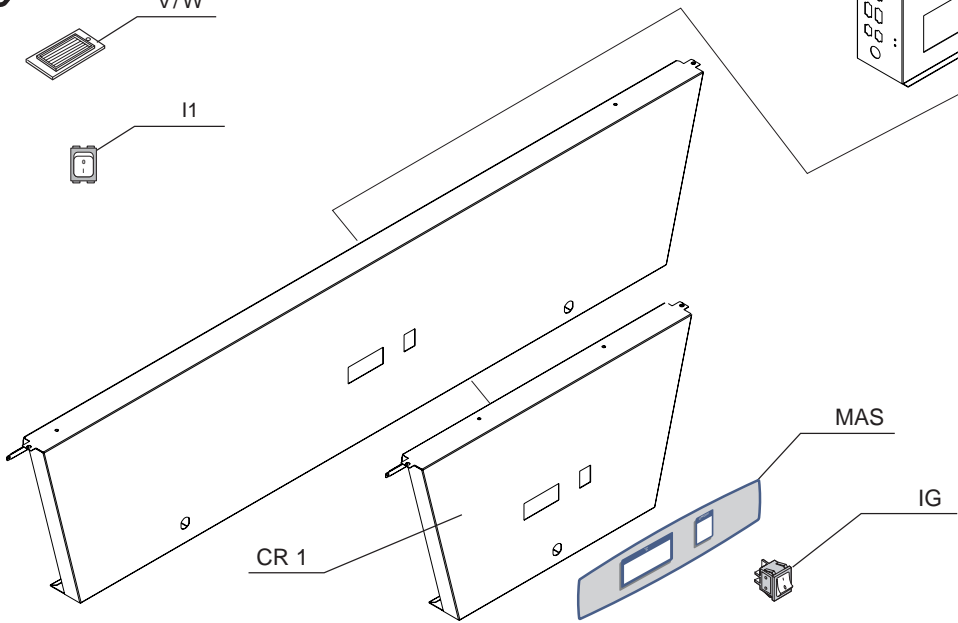
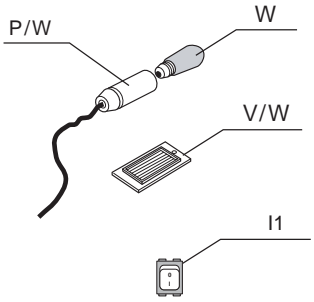
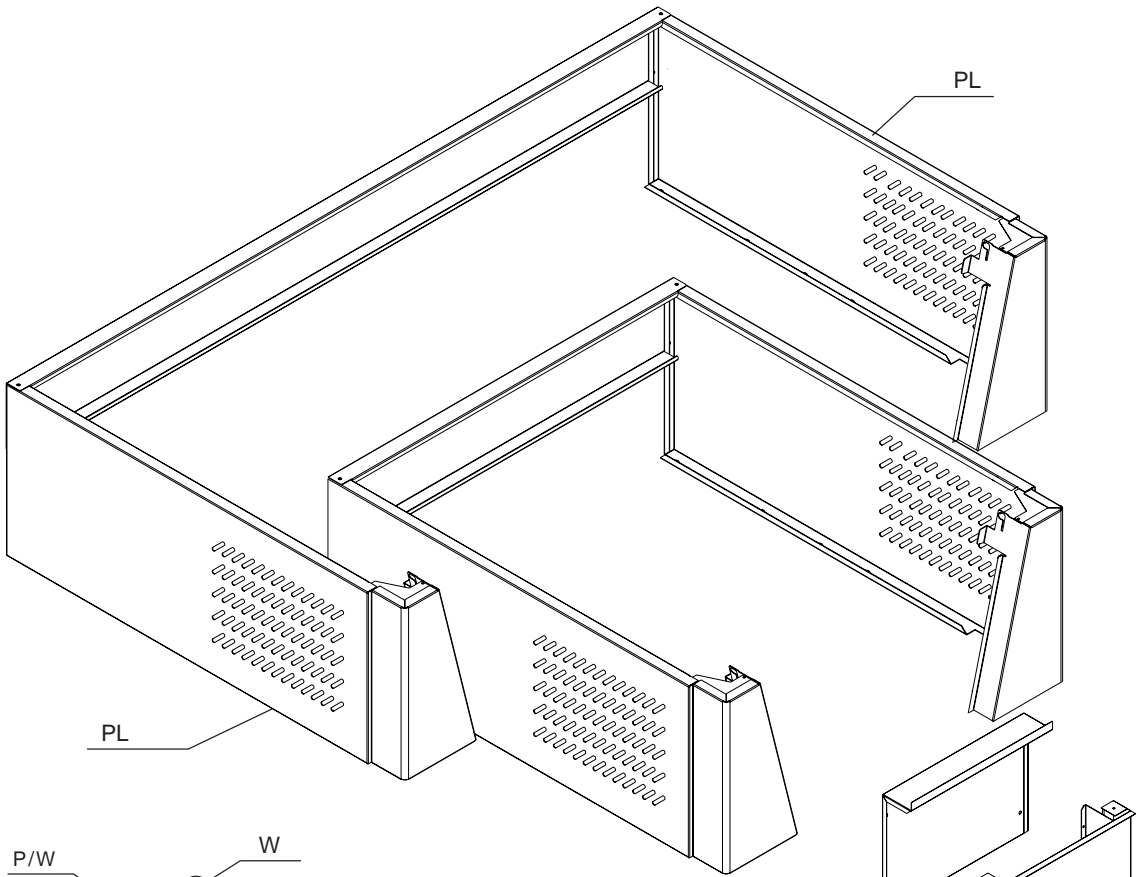


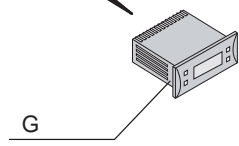
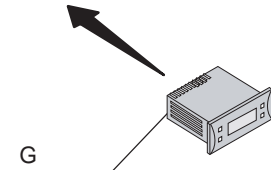
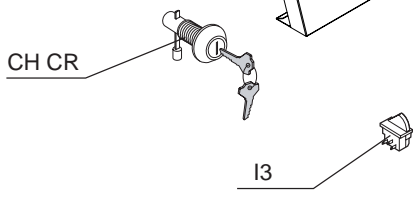
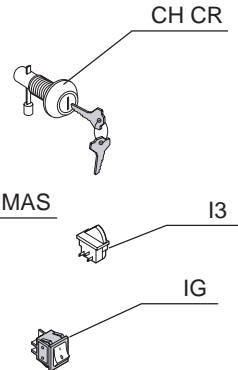
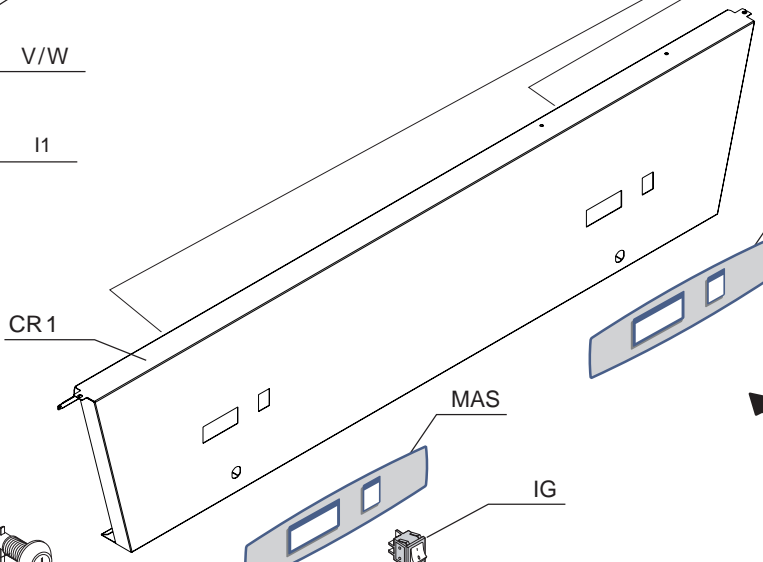
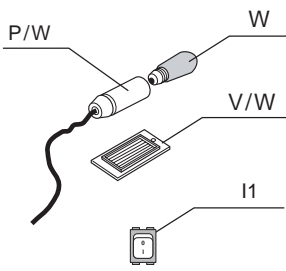
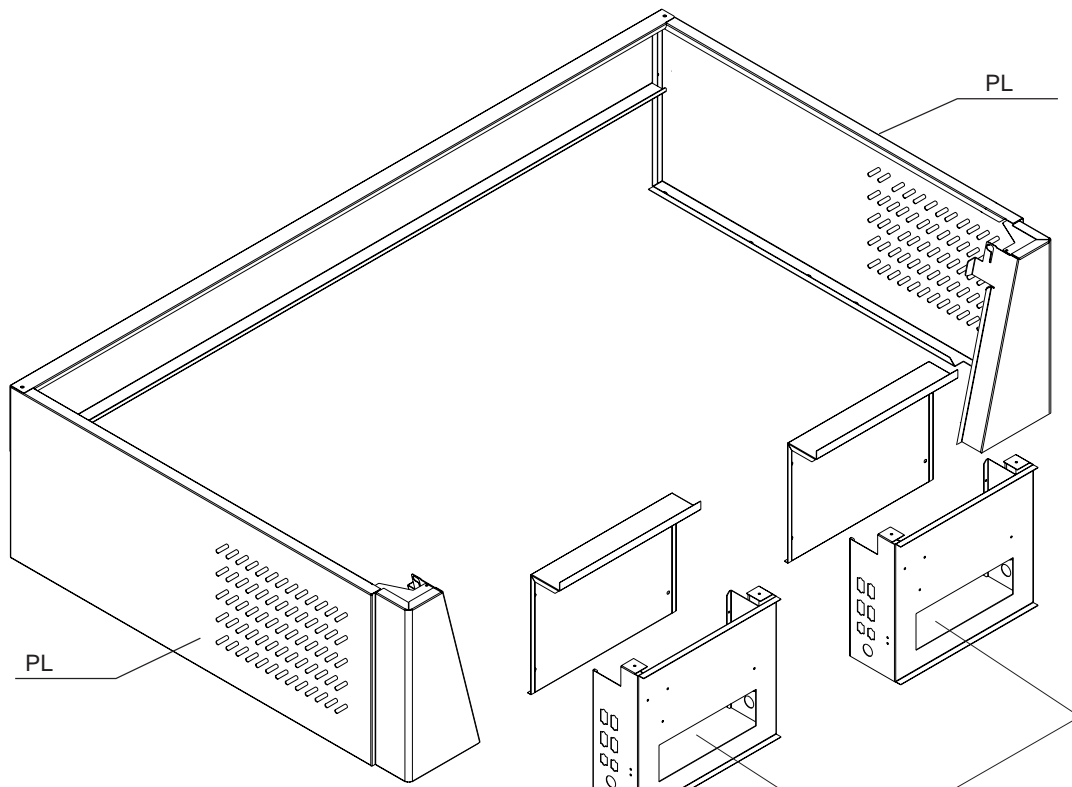


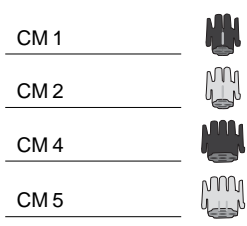
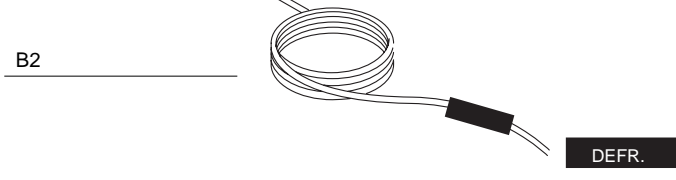
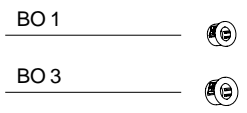
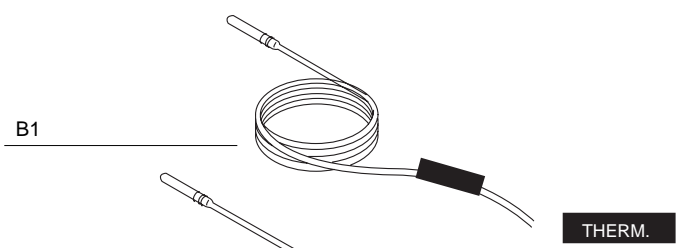
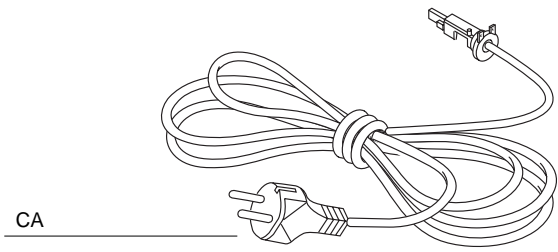
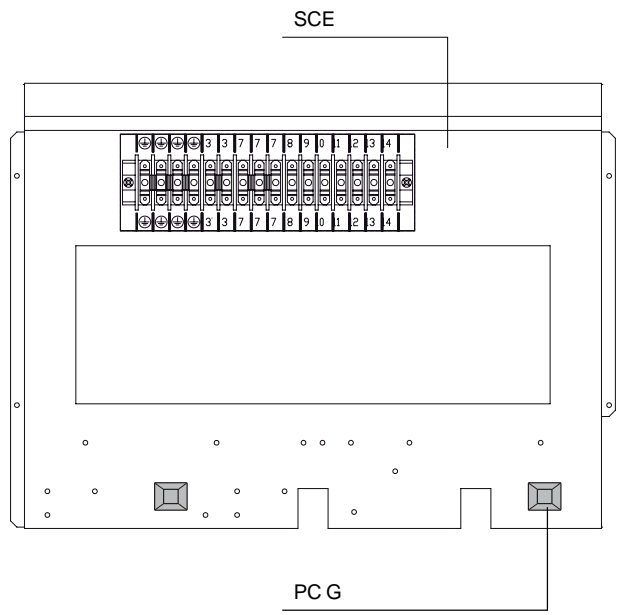












referim. reference	codice code	descrizione description	modello model	da...a from...to	ricambi cons. rec. spare part
B1 / B2	<b>935886</b>	SONDA NTC CAVOTPE SN691150 L=2,5+TER.F NTC CAVOTPE PROBE SN691150 L=2,5+TER.F	AR_ • ARR_ • AR_VTR • AP_ • ARP_ • AFP_ • AF_ • ARF_ • AF_VTR	22/11/04 00/00/00	●
BA 1	<b>990013</b>	BACINELLA GN1/1 H100 PLASTICA PLASTIC CONTAINER GN1/1 H100	AP7 • ARP142 • AFP142	01/01/95 00/00/00	
BA 2	<b>935470</b>	@@@BACINELLA PLAST.GN2/1 RID.H=100 PLATIC CONTAINER GN2/1 REDUCED H=100	AP6 • ARP122 • AFP122	16/06/97 15/06/97	
	<b>990199</b>	BACINELLA PLAST.GN2/1 RID.H=100 PLATIC CONTAINER GN2/1 REDUCED H=100		16/06/97 00/00/00	
BG O	<b>935341</b>	BN PROFILO CORNICE SCOCCA L=645 S 70 BN PROFILE SUPP. STRUCTURE L. 645 S 70	AR_ • ARR_ • AR_VTR • AP_ • ARP_ • AFP_ • AF_ • ARF_ • AF_VTR	26/09/03 29/07/07	
	<b>936668</b>	AB07 PROFILO AR BATT.GUA.ORIZZ.L=641 AB07 HORIZ.PROFILE FOR DOOR RABBET L=641		30/07/07 00/00/00	
BG T	<b>936670</b>	AB07 PROFILO COP.BATT.GUA.TRAV.L=579 AB07 PROFILE COVERING CROSSBEAM L=579	AR_ • ARR_ • AP_ • ARP_ • AFP_ • AF_ • ARF_	30/07/07 00/00/00	
BG V	<b>935342</b>	BN PROFILO CORNICE SCOCCA L=1606 S 70 BN PROFILE SUPP. STRUCTURE L. 1606 S 70	AR_ • ARR_ • AR_VTR • AP_ • ARP_ • AFP_ • AF_ • ARF_ • AF_VTR	26/09/03 29/07/07	
	<b>936669</b>	AB07 PROFILO AR BATT.GUA.VERT.L=1602 AB07 VERT. PROFILE FOR DOOR RABBET L=1602		30/07/07 00/00/00	
BO 2	<b>996534</b>	BOCCOLA PASSACAVO D=12 BUSH D=12	AR_ • ARR_ • AR_VTR • AP_ • ARP_ • AFP_ • AF_ • ARF_ • AF_VTR	//_ 00/00/00	
BO 3	<b>936038</b>	BOCCOLA PASSACAVO D=14 BUSH D=14	AR_ • ARR_ • AR_VTR • AP_ • ARP_ • AFP_ • AF_ • ARF_ • AF_VTR	//_ 00/00/00	
BO/PO	<b>935976</b>	BOCCOLA PORTA VETRO STAR-EN-PLANET GLASS DOOR BUSH STAR-EN-PLANET	AR_VTR • AF_VTR	20/07/07 00/00/00	
BOX/M1	<b>996025</b>	BOX ELETTRICO DANFOSS '117-7012' ELECTRIC BOX DANFOSS '117-7012'	995770 • 995746	22/05/00 00/00/00	
BRC	<b>996753</b>	BACINELLA DI COPERTURA MONO. SPA 70 COVERING BASIN MONO. SPA 70	AR7 • AR7VTR • AP7 • AF7 • AF7VTR	//_ 00/00/00	
	<b>996754</b>	BACINELLA DI COPERTURA MONO. SPA 140 COVERING BASIN MONO. SPA 140	AR14 • AR14VTR • AP14 • AF14 • AF14VTR	//_ 00/00/00	
BV	<b>996182</b>	BOBINA HM2 230V 50/60HZ X VALVOLA SOLE COIL HM2 230V 50/60HZ FOR SOLENOID VALVE	AF12-14VTR	22/02/05 00/00/00	
BVE	<b>996539</b>	ADATTATORE VALV.ODF 6MM 68-2063 DANFOSS VALVE ADAPTER.ODF 6MM 68-2063 DANFOSS	AR_-P • ARR_-P • AR_VTR-P • AP_-P • ARP_-P • AFP_-P • AF_-P • ARF_-P • AF_VTR-P	28/05/07 00/00/00	
C/BRC	<b>936676</b>	COPERT. BACINELLA AUTOEVAPORANTE ARCO COVERING BACIN GATHER COND. ARCO	AR_ • ARR_ • AR_VTR • AP_ • ARP_ • AFP_ • AF_ • ARF_ • AF_VTR	//_ 00/00/00	
C/M1	<b>996023</b>	CONDENSATORE EL. DANFOSS '117U5015' ELECTRIC CONDENSER DANFOSS '117U5015'	995740 • 996353	22/05/00 13/05/07	
C/M1	<b>996024</b>	CONDENSATORE EL. DANFOSS '117U5017' ELECTRIC CONDENSER DANFOSS '117U5017'	> 996725	22/05/00 00/00/00	
C/M1	<b>996024</b>	CONDENSATORE EL. DANFOSS '117U5017' ELECTRIC CONDENSER DANFOSS '117U5017'	> 995743	22/05/00 12/03/06	
	<b>996550</b>	CONDENSATORE EL. DANFOSS '117U5018' ELECTRIC CONDENSER DANFOSS '117U5018'	> 996540	13/03/06 00/00/00	
C/M1	<b>996764</b>	CONDENSATORE EL. ACC '71982568' ELECTRIC CONDENSER ACC '71982568'	> 996592	14/05/07 00/00/00	
C/M1	<b>996749</b>	CONDENSATORE EL.DANFOSS '117U5012' ELECTRIC CONDENSER DANFOSS '117U5012'	> 996724	11/06/08 00/00/00	
CA	<b>995420</b>	CAVO ALIMENTAZIONE AR-TR SCHUCO ELECTRIC SUPPLY CABLE AR-TR SCHUCO	AR_ • ARR_ • AR_VTR • AP_ • ARP_ • AFP_ • AF_ • ARF_ • AF_VTR	29/05/03 00/00/00	
CE/M2	<b>995775</b>	CONVOGLIATORE CONDENS. STVF 93/139 CONDENSER CONVEYOR STVF 93/139	AR_ • ARR_ • AR_VTR • AP_ • ARP_ • AF6-7 • AF6-7VTR • AFP_ • ARF_	04/03/97 00/00/00	
CE/M2	<b>995759</b>	CONVOGLIATORE CONDENS. STVF 124/194 CONDENSER CONVEYOR STVF 124/194	AF12-14 • AF12-14VTR	08/04/03 00/00/00	
CH CR	<b>935400</b>	SERRATURA A CHIAVE X AR MNSC/22 LOCKING DOOR KEY FOR MNSC/22 CABINETS	AR_ • ARR_ • AR_VTR • AP_ • ARP_ • AFP_ • AF_ • ARF_ • AF_VTR	01/01/95 00/00/00	
CH	<b>925337</b>	COPPIA CHIAVI PORTA TR GOLD 'INOX' PAIR OF KEYS FOR RC DOOR GOLD 'INOX'	AR_ • ARR_ • AP_ • ARP_ • AFP_ • AF_ • ARF_	02/05/06 00/00/00	
CH S	<b>925807</b>	SERRATURA A PALETTO + PERNO TR H=650 N SHAFT-TYPE LOCKING DOOR + PIN RC H=650 N	AR_ • ARR_ • AP_ • ARP_ • AFP_ • AF_ • ARF_	20/09/04 00/00/00	
CM1	<b>936038</b>	CONNETTORE MTL MASC. 2 POLI NERO EDGE CONNECTOR MTL 2 POLES BLACK	AR_ • ARR_ • AR_VTR • AP_ • ARP_ • AFP_ • AF_ • ARF_ • AF_VTR	23/06/04 00/00/00	

referim. reference	codice code	descrizione description	modello model	da...a from...to	ricambi cons. rec. spare part
CM2	<b>936037</b>	CONNETTORE MTL MASC. 2 POLI BIANCO EDGE CONNECTOR MTL 2 POLES WHITE	AR_ • ARR_ • AR_VTR • AP_ • ARP_ • AFP_ • AF_ • ARF_ • AF_VTR	19/06/03 00/00/00	
CM4	<b>936040</b>	CONNETTORE MTL MASC. 3 POLI NERO EDGE CONNECTOR MTL 3 POLES BLACK	AR_ • ARR_ • AR_VTR • AP_ • ARP_ • AFP_ • AF_ • ARF_ • AF_VTR	29/11/04 00/00/00	
CM5	<b>936036</b>	CONNETTORE MTL MASC. 3 POLI BIANCO EDGE CONNECTOR MTL 3 POLES WHITE	AR_ • ARR_ • AR_VTR • AP_ • ARP_ • AFP_ • AF_ • ARF_ • AF_VTR	29/11/04 00/00/00	
CN	<b>935319</b>	CANOTTO INOX AR MNSCOCCA PORTEVETRO INOX TUBE FOR MNCQ CAB. GLASS DOORS	AR_V • AF_V	21/03/06 00/00/00	
CO H2O	<b>995909</b>	CONDENSATORE H2O SALDOBR. ZC207 10 PIA WATER CONDENSER BRAZED ZC207 10 PLATES		17/11/05 00/00/00	
CR 1	<b>6157500</b>	***ASS. CRUSCOTTO AR7 ECONOMICO FRONTAL PANEL AR7 ECONOMIC	AR6-7 • AR6-7VTR • AP6-7 • AF6-7 • AF6-7VTR	18/04/05 31/08/05	
	<b>935945</b>	ASS. CRUSCOTTO AR7 1T ECO NEW FRONTAL PANEL AR7 1T ECO NEW		01/09/05 00/00/00	
CR 1	<b>6157510</b>	***ASS. CRUSCOTTO AR14 ECONOMICO FRONTAL PANEL AR14 ECONOMIC	AR12-14 • AR12-14VTR • AP12-14 • AF12- 14 • AF12-14VTR	18/04/05 31/08/05	
	<b>935946</b>	ASS. CRUSCOTTO AR14 1T ECO NEW FRONTAL PANEL AR14 1T ECO NEW		14/02/06 00/00/00	
CR 2	<b>935824</b>	ASS.CRUSCOTTO AR PLANET 700 FRONTAL PANEL RC PLANET 700	AR6-7 • AR6-7VTR • AP6-7 • AF6-7 • AF6-7VTR	25/05/04 17/04/05	
	<b>935904</b>	ASS.CRUSCOTTO AR PLANET 700 FRONTAL PANEL RC PLANET 700		18/04/05 31/08/05	
	<b>935932</b>	ASS.CRUSCOT.AR/AF7 PLANET FRONTAL PANEL AR7 1T ECO NEW		27/09/05 00/00/00	
CR 2	<b>935932</b>	ASS.CRUSCOT.AR/AF7 PLANET FRONTAL PANEL AR7 1T ECO NEW	AR7 • AR7VTR • AP7 • AF7 • AF7VTR	27/09/05 31/08/08	
	<b>935932</b>	CRUS. SPA/PLANET 70-SERR.TERM. ID FR. PANEL SPA/PLANET 70-LOCK THERM. ID		01/09/08 00/00/00	
CR 2	<b>935825</b>	ASS.CRUSCOTTO AR PLANET 1400 FRONTAL PANEL FOR PLANET 1400 CABINET	AR12-14 • AR12-14VTR • AP12-14 • AF12- 14 • AF12-14VTR	12/11/04 17/04/05	
	<b>935905</b>	ASS.CRUSCOTTO AR PLANET 1400 FRONTAL PANEL RC PLANET 1400		19/04/05 31/08/05	
	<b>935933</b>	ASS. CRUSCOTTO AR14 PLANET NEW FRONTAL PANEL AR14 PLANET NEW		27/09/05 00/00/00	
CR 2	<b>935933</b>	ASS. CRUSCOTTO AR14 PLANET NEW FRONTAL PANEL AR14 PLANET NEW	AR14 • AR14VTR • AP14 • AF14 • AF14VTR	27/09/05 31/08/08	
	<b>935115</b>	CRUSC. SPA/PLANET140 SERRATURA TERM.ID FR. PANEL SPA/PLANET140 LOCK THERM. ID		01/09/08 00/00/00	
CR 2	<b>935826</b>	ASS.CRUSCOTTO AR PLANET 1400 2TEMP. FRONTAL PANEL PLANET CAB. 1400 2TEMP.	ARR_ • ARP_ • AFP_ • ARF_	15/12/04 17/04/05	
	<b>935906</b>	ASS.CRUSCOTTO AR PLANET 1400 2T FRONTAL PANEL RC PLANET 1400 2T		18/04/05 31/08/05	
	<b>936667</b>	ASS. CRUSCOTTO AR14 2T PLANET NEW FRONTAL PANEL RC14 2TEMP. PLANET NEW		01/09/05 00/00/00	
CR2	<b>996756</b>	ASS.CRUSCOTTO AR7 PLANET KBS FRONTAL PANELAR7 PLANET KBS	AR6-7 • AR6-7VTR • AP6-7 • AF6-7 • AF6-7VTR	_/_ 00/00/00	
CR2	<b>935116</b>	CRUSCOTTO SPA/PLANET 140 CON SERRAT. FR. PANEL SPA/PLANET 140 WITH LOCK	AR12-14 • AR12-14VTR • AP12-14 • AF12- 14 • AF12-14VTR	_/_ 00/00/00	
CR 3	<b>935943</b>	ASS. CRUSCOTTO PIANO AR7 1T NEW FRONTAL PANEL FLAT AR7 1T NEW	AR6-7 • AR6-7VTR • AP6-7 • AF6-7 • AF6-7VTR	14/02/06 00/00/00	
CR 3	<b>935944</b>	ASS. CRUSCOTTO PIANO AR14 1T NEW FRONTAL PANEL FLAT AR14 1T NEW	AR12-14 • AR12-14VTR • AP12-14 • AF12- 14 • AF12-14VTR	14/02/06 00/00/00	
CR 3	<b>936666</b>	ASS. CRUSCOTTO PIANO AR14 2T NEW FRONTAL PANEL FLAT AR14 2T NEW	ARR_ • ARP_ • AFP_ • ARF_	01/09/05 00/00/00	
CRN dx	<b>936664</b>	KIT CERNIERA INFER. DX AR MONOSCOCCA LOWER RIGHT HINGE KIT MONOCOQUE CABINETS	AR_ • ARR_ • AP_ • ARP_ • AFP_ • AF_ • ARF_	_/_ 00/00/00	
CRN sx	<b>936665</b>	KIT CERNIERA INFER. SX AR MONOSCOCCA LOWER LEFT HINGE KIT MONOCOQUE CABINETS	AR_ • ARR_ • AP_ • ARP_ • AFP_ • AF_ • ARF_	_/_ 00/00/00	
CRN ½ dx	<b>935835</b>	ASS.SUPP.CERN.PO.1/2 DX AR PLANET RIGHT HINGE ASS. FOR HALF DOOR PLANET CAB.	AR_ • ARR_ • AP_ • ARP_ • AFP_ • AF_ • ARF_	15/11/04 00/00/00	
CRN ½ sx	<b>935836</b>	ASS.SUPP.CERN.PO.1/2 SX AR PLANET LEFT HINGE ASS. FOR HALF DOOR PLANET CAB.	AR_ • ARR_ • AP_ • ARP_ • AFP_ • AF_ • ARF_	15/11/04 00/00/00	
CRN 1 dx	<b>935713</b>	ASS.CERNIERA INFER.DX AR MONOSCOCCA LOWER RIGHT HINGE ASS. MNSC CABINETS	AR_ • ARR_ • AP_ • ARP_ • AFP_ • AF_ • ARF_	19/09/03 00/00/00	

riferim. reference	codice code	descrizione description	modello model	da...a from...to	ricambi cons. rec. spare part
CRN 1 sx	<b>935712</b>	ASS.CERNIERA INFER.SX AR MONOSCOCCA LOWER LEFT HINGE ASS. MNSC CABINETS	AR_ • ARR_ • AP_ • ARP_ • AFP_ • AF_ • ARF_	29/11/07 00/00/00	
CRN 1V dx	<b>935975</b>	CERNIERA INF.DX AR VTR STAR/PLANET/EN LOWER RIGHT HINGE GL.DOOR STAR/PLANET/EN	AR_VTR • AF_VTR	29/11/07 00/00/00	
CRN 1V sx	<b>935981</b>	CERNIERA INF.SX AR VTR STAR/PLANET/EN LOWER LEFT HINGE GL.DOOR STAR/PLANET/EN	AR_VTR • AF_VTR	29/11/07 00/00/00	
CRN 2 dx	<b>935715</b>	PIASTRA FERMO PORTA 'DX'PV'AR MNSC RIGHT LOCKING DOOR PLATE 'PV'AR MNSC	AR_ • ARR_ • AR_VTR • AP_ • ARP_ • AFP_ • AF_ • ARF_ • AF_VTR	19/09/03 00/00/00	
CRN 2 sx	<b>935714</b>	PIASTRA FERMO PORTA 'SX'PV'AR MNSC LEFT LOCKING DOOR PLATE 'PV'AR MNSC	AR_ • ARR_ • AR_VTR • AP_ • ARP_ • AFP_ • AF_ • ARF_ • AF_VTR	19/09/03 00/00/00	
CRN 3 dx	<b>935696</b>	MOLLA PORTA DX ARMADI CANOTTO IN ABS RIGHT SPRING FOR DOOR CABINETS	AR_ • ARR_ • AR_VTR • AP_ • ARP_ • AFP_ • AF_ • ARF_ • AF_VTR	15/04/03 00/00/00	
CRN 3 sx	<b>935697</b>	MOLLA PORTA SX ARMADI CANOTTO IN ABS LEFT SPRING FOR DOOR CABINETS	AR_ • ARR_ • AR_VTR • AP_ • ARP_ • AFP_ • AF_ • ARF_ • AF_VTR	15/04/03 00/00/00	
CRN 4	<b>935982</b>	PIASTRINA PER CERN.P 1/2 AR PLANET HINGE PLATE FOR HALF DOOR PLANET CAB.	AR_ • ARR_ • AR_VTR • AP_ • ARP_ • AFP_ • AF_ • ARF_ • AF_VTR	27/04/05 00/00/00	
CRN 5	<b>935983</b>	FALSA CERNIERA AR PLANET HINGE PLANET CABINETS	AR_ • ARR_ • AR_VTR • AP_ • ARP_ • AFP_ • AF_ • ARF_ • AF_VTR	27/06/06 00/00/00	
CRN 6	<b>936677</b>	SPESSORE CERNIERA VTR PLANET NEW HINGE SHIM FOR GLASS DOOR PLANET NEW	AR_VTR • AF_VTR	06/05/06 00/00/00	
CRN CR	<b>936041</b>	CERNIERA BISCOTTO ACC.ZN .MM 15X100 HINGE FOR FR. PANEL GALV. STEEL .MM 15X100	AR_ • ARR_ • AR_VTR • AP_ • ARP_ • AFP_ • AF_ • ARF_ • AF_VTR	_/_/_ 00/00/00	
CRNI 1/2 dx	<b>996349</b>	ASS.CERN.INF.DX P1/2 1DX+1SX STAR/PLAN LOWER RIGHT HINGE ASS. 1R+1L DOOR ST/PL	AR_ • ARR_ • AP_ • ARP_ • AFP_ • AF_ • ARF_	19/01/06 00/00/00	
CRNI 1/2 sx	<b>996344</b>	ASS.CERN.INF.SX P1/2 1DX+1SX STAR/PLAN LOWER LEFT HINGE ASS. 1R+1L DOOR ST/PL	AR_ • ARR_ • AP_ • ARP_ • AFP_ • AF_ • ARF_	20/12/05 00/00/00	
CRNS 1/2 dx	<b>996345</b>	ASS.CERN.SUP.DX P1/2 1DX+1SX STAR/PLAN UPPER RIGHT HINGE ASS. 1R+1L DOOR ST/PL	AR_ • ARR_ • AP_ • ARP_ • AFP_ • AF_ • ARF_	20/12/05 00/00/00	
CRNS 1/2 sx	<b>996348</b>	ASS.CERN.SUP.SX P1/2 1DX+1SX STAR/PLAN UPPER LEFT HINGE ASS. 1R+1L DOOR ST/PL	AR_ • ARR_ • AP_ • ARP_ • AFP_ • AF_ • ARF_	19/01/06 00/00/00	
CRNS 1V	<b>935837</b>	ASS.CERN.SUPER.DX/SX AR VTR PLANET UPPER RIGHT/LEFT HINGE PLANET CAB.GLASSES	AR_VTR • AF_VTR	26/10/04 31/08/05	
	<b>935921</b>	ASS.CERN.SUPER.DX/SX AR VTR PLANET NEW UPPER RIGHT/LEFT HINGE GL.DOOR PLANET NEW		30/06/06 00/00/00	
CRNS 2	<b>935832</b>	ASS.CERN.SUP.DX/SX ARMADI PLANET UPPER RIGHT/LEFT HINGE PLANET CABINETS	AR_ • ARR_ • AP_ • ARP_ • AFP_ • AF_ • ARF_	19/10/04 19/09/05	
CRNS dx	<b>935922</b>	ASS.CERN.SUP.DX ARMADI PLANET NEW UPPER RIGHT HINGE ASS. PLANET CAB. NEW	AR_ • ARR_ • AP_ • ARP_ • AFP_ • AF_ • ARF_	31/08/05 12/03/07	
	<b>935963</b>	ASS.CERN.SUP.DX AR PLANET NEW NEW UPPER RIGHT HINGE ASS. PLANET CAB. NEW		13/03/07 00/00/00	
CRNS sx	<b>935923</b>	ASS.CERN.SUP.DX ARMADI PLANET NEW UPPER RIGHT HINGE ASS. PLANET CAB. NEW	AR_ • ARR_ • AP_ • ARP_ • AFP_ • AF_ • ARF_	31/08/05 12/03/07	
	<b>935964</b>	ASS.CERN.SUP.DX AR PLANET NEW NEW UPPER RIGHT HINGE ASS. PLANET CAB. NEW		13/03/07 00/00/00	
EV	<b>935869</b>	EVAPORATORE 5R-5T AR6/7 PLANET EVAPORATOR 5 ROWS 5T AR6/7 PLANET	AK6-7 • AKK_ • AK6-7VTR • AP6-7 • ARP_ • AFP_ • AF6-7 • AF6-7VTR • ARF_	16/11/04 00/00/00	
EV	<b>935878</b>	EVAPOR.DOPPIO 4R-5T AR12/14 PLANET EVAPORATORS 4R-5T AR12/14 PLANET	AR12-14 • AR12-14VTR • AP12-14 • AF12- 14 • AF12-14VTR	17/11/04 00/00/00	
F	<b>995377</b>	FILTRO DISIDRATORE 25 GR 6X3 DEHYDRATOR FILTER 25 GR 6X3	AR_ • ARR_ • AR_VTR • AP_ • ARP_ • AFP_ • AF6-7 • ARF_ • AF6-7VTR	01/01/95 00/00/00	
F	<b>995482</b>	FILTRO DISIDRATORE 40 GR 6X3 DEHYDRATOR FILTER 40 GR 6X3	AF12-14	01/01/95 00/00/00	
F	<b>995690</b>	FILTRO DISIDRATORE ODF DML032S 023Z455 DEHYDRATOR FILTER ODF DML032S 023Z455	AF12-14VTR	21/11/03 00/00/00	
FI	<b>935320</b>	FILTRO CONDENSATORE AR7-14-21 MNSC FILTER CONDENSER AR7-14-21 MNSC	AF12-14 • AF12-14VTR	01/01/95 00/00/00	
FI	<b>935322</b>	FILTRO CONDENSATORE AR6-12 MNSC FILTER CONDENSER AR6-12 MNSC	AR_ • ARR_ • AR_VTR • AP_ • ARP_ • AFP_ • AF6-7 • ARF_ • AF6-7VTR	01/01/95 00/00/00	
FF 1	<b>990010</b>	FALSO FONDO FORATO GN1/1 H 15 INOX FALSE DRILLED BOTTOM GN1/1 H 15 INOX	AP7-14 • ARP142 • AFP142	02/11/06 00/00/00	
FF 2	<b>935471</b>	@@@FALSO FONDO FORATO GN2/1 RIDOTTO FALSE DRILLED BOTTOM GN2/1 REDUCED	AP6-12 • ARP122 • AFP122	12/02/98 15/06/97	
	<b>990200</b>	FALSO FONDO FORATO GN2/1 RIDOTTO FALSE DRILLED BOTTOM GN2/1 REDUCED		16/06/97 00/00/00	

referim. reference	codice code	descrizione description	modello model	da...a from...to	ricambi cons. rec. spare part
G	<b>996198</b>	TELETERMOSTATO ID974 AR PLANET TELETERMOSTAT ID974 AR PLANET	AR_ • ARR_ • AR_VTR • AP_ • ARP_ • AFP_ • ARF_	14/03/03 00/00/00	●
G	<b>996199</b>	TELETERMOSTATO ID974 AF PLANET TELETERMOSTAT ID974 AF PLANET	AFP_ • AF_ • ARF_ • AF_VTR	14/03/03 00/00/00	●
G	<b>996659</b>	TELET.DIXELL XW60L TN PRIMUS/PLANECO TELETH. DIXELL XW60L TN PRIMUS/PLANECO	AR_ • ARR_ • AR_VTR • AP_ • ARP_ • AFP_ • ARF_	25/01/08 00/00/00	●
G	<b>996768</b>	TELET.DIXELL XW60L BT PRIMUS/PLANECO TELETH. DIXELL XW60L BT PRIMUS/PLANECO	AFP_ • AF_ • ARF_ • AF_VTR	25/01/08 00/00/00	●
G	<b>996730</b>	TELET. DIXELL XW20L -5N0C1 0/+10 PRIMUS TELETH. DIXELL XW20L -5N0C1 0/+10 PRIMUS	AR_ • ARR_ • AR_VTR • AP_ • ARP_ • AFP_ • ARF_	24/06/08 00/00/00	●
GC 1	<b>935795</b>	COPPIA GUIDE A "C" GN2/1 L=615 PAIR OF "C" SLIDES GN2/1 L=615	AR7-14 • ARR142 • AR7-14VTR • AP7-14 • ARP142 • AFP142 • AF7-14 • ARF142 • AF7-14VTR	24/06/04 00/00/00	
GC 2	<b>935847</b>	COPPIA GUIDE A "C" GN2/1RID. AR PLANET PAIR OF "C" SLIDES GN2/1 RID. PLANET CAB.	AR6-12 • ARR122 • AR6-12VTR • AP6-12 • ARP122 • AFP122 • AF6-12 • ARF122 • AF6-12VTR	15/11/04 00/00/00	
GPO	<b>935813</b>	GUARNIZ P.INT.AR PLANET DOOR GASKET PLANET CABINET	AR_ • ARR_ • AP_ • ARP_ • AFP_ • AF_ • ARF_	05/12/03 00/00/00	●
GPO 1/2	<b>935850</b>	RES.BAT.GUARN.P.1/2 41W PLANET/STAR HALF DOOR GASKET 41W PLANET/STAR	AR_ • ARR_ • AP_ • ARP_ • AFP_ • AF_ • ARF_	15/11/04 16/05/07	●
	<b>935812</b>	GUARNIZ P.1/2 AR PLANET HALF DOOR GASKET PLANET CABINET		17/05/07 00/00/00	●
GPO V	<b>935844</b>	GUARNIZ.PORTA VETRO AR PLANET GLASS DOOR GASKET PLANET CABINET	AR_VTR • AF_VTR	15/11/04 00/00/00	●
GR 1	<b>990025</b>	GRIGLIA GN2/1 PLASTIFICATA PLASTICIZED SHELF GN2/1	AR7-14 • ARR142 • AR7-14VTR • AF7-14 • ARF7-14 • AF7-14VTR	08/09/98 20/11/03	
	<b>990230</b>	GRIGLIA GN2/1 PLASTIFICATA PLASTICIZED SHELF GN2/1		21/11/03 00/00/00	
GR 2	<b>990037</b>	GRIGLIA 550X530 GN2/1R PLASTIF.CON MAN PLAST. SHELF 550X530 GN2/1R WITH HANDLE	AR6-12 • ARR122 • AR6-12VTR • AF6-12 • ARF122 • AF6-12VTR	09/02/04 00/00/00	
GS	<b>935806</b>	ASS.MONT.SX ANT/POST.AR6/7 PLANET LEFT FRONT/BACK UPRIGHTS AR6/7 PLANET	AR_ • ARR_ • AR_VTR • AP_ • ARP_ • AFP_ • AF_ • ARF_ • AF_VTR	10/11/04 00/00/00	
GS	<b>935807</b>	ASS.MONT.DX ANT/POST.AR6/7 PLANET RIGHT FRONT/BACK UPRIGHTS AR6/7 PLANET	AR_ • ARR_ • AR_VTR • AP_ • ARP_ • AFP_ • AF_ • ARF_ • AF_VTR	10/11/04 00/00/00	
GS ½	<b>935851</b>	MONT.MZ DX ANT/POST AR PLANET RIGHT FRONT/BACK UPRIGHT PLANET CABINETS	AR_ • ARR_ • AP_ • ARP_ • AFP_ • AF_ • ARF_	15/11/04 00/00/00	
GS ½	<b>935852</b>	MONT.MZ SX ANT/POST AR PLANET LEFT FRONT/BACK UPRIGHT PLANET CABINETS	AR_ • ARR_ • AP_ • ARP_ • AFP_ • AF_ • ARF_	15/11/04 00/00/00	
GS C	<b>935856</b>	MONT.CENTRALE POST. AR 14 PLANET CENTRAL BACK UPRIGHT PLANET CABINETS	AR12-14 • ARR_ • AR12-14VTR • AP12-14 • ARP_ • AFP_ • AF12-14 • ARF_ • AF12-14VTR	15/11/04 00/00/00	
I1	<b>996032</b>	INTERRUTTORE BIPOLARE LUMINOSO BIANCO BIPOlar SWITCH WHITE LIGHT	AR_VTR • AF_VTR	21/09/04 00/00/00	●
I3	<b>935823</b>	MICROPORTA DEVIATORE LUCE+VENT.AR PL. MICRO-SWITCH LIGHT+FAN PLANET CABINET	AR_ • ARR_ • AR_VTR • AP_ • ARP_ • AFP_ • AF_ • ARF_ • AF_VTR	12/11/04 00/00/00	●
IG	<b>995257</b>	INTERRUTTORE GENERALE VERDE C/GRIGIA MAIN SWITCH GREEN C/GRAY	AR_ • ARR_ • AR_VTR • AP_ • ARP_ • AFP_ • AF_ • ARF_ • AF_VTR	28/05/03 00/00/00	●
kit CRN IP½	<b>930225</b>	KIT INV.1/2 PORTE. DA DX A SX AR PLANET INV. KIT FROM RIGHT-LEFT FOR 1/2 DOOR P.C.	AR_ • ARR_ • AP_ • ARP_ • AFP_ • AF_ • ARF_	02/04/08 00/00/00	
kit CRN IPO	<b>930266</b>	KIT INV.PORTA DA DX A SX AR PLANET NEW KIT INV. DOOR FROM RIGHT TO LEFT CAB. NEW	AR_ • ARR_ • AP_ • ARP_ • AFP_ • AF_ • ARF_	19/09/03 00/00/00	
kit CRN IPO	<b>930298</b>	KIT INV.PORTA DA SX A DX AR PLANET NEW KIT INV. DOOR FROM LEFT TO RIGHT CAB. NEW	AR_ • ARR_ • AP_ • ARP_ • AFP_ • AF_ • ARF_	30/09/09 00/00/00	
kit CRN IPV	<b>930227</b>	KIT INV.PORTA DA DX A SX AR VTR PLANET INV. KIT FROM RIGHT-LEFT FOR GL. DOOR P.C.	AR_VTR • AF_VTR	27/06/06 00/00/00	
kit CO	<b>995522</b>	CONDENSATORE STVF 139 CONV RINF C/CURV STVF 139 COND. WITH ENFORCED CONVEYOR	AF6-7 • AF6-7VTR • AR12-14 • AR12-14VTR • AFP_ • ARF_	01/01/95 00/00/00	
kit CO	<b>995523</b>	CONDENSATORE STVF 194 CONV RINF C/CURV STVF 194 CONDENSER WITH ENF. CONVEYOR	AF12-14 • AF12-14VTR	01/01/95 00/00/00	
kit CO	<b>995524</b>	CONDENSATORE STVF 93 CONV RINF C/CURV STVF 93 COND. WITH ENFORCED CONVEYOR	AR6-7 • ARR_ • AR6-7VTR • AP_ • ARP_ • AFP_ • ARF_	01/01/95 00/00/00	
kit CO H2O	<b>935117</b>	KIT CONDENSATORE H2O SALDOBR. AR ZC207 WATER COND. KIT BRAZED CABINETS ZC207		11/11/05 00/00/00	

riferim. reference	codice code	descrizione description	modello model	da...a from...to	ricambi cons. rec. spare part
kit EV	<b>935868</b>	ASS.EVAPORATORE 5R-5T AR6/7 PLANET FAN ASS. 5 ROWS - 5T AR6/7 PLANET	AR6-7 • ARR_ • AR6-7VTR • AP_ • ARP_ • AFP_ • AF6-7 • AF6-7VTR • ARF_	16/11/04 00/00/00	
kit EV	<b>935877</b>	ASS.EVAPOR.DOPPIO 5R-4T AR12/14 PLANET DOUBLE FAN ASS. 5R-4T AR12/14 PLANET	AR12-14 • AR12-14VTR • AF12-14 • AF12-14VTR	16/11/04 00/00/00	
M1	<b>995711</b>	COMPRESSORE 34,37CC J2212GK CSR R404A COMPRESSOR 34,37CC J2212GK CSR R404A	AF12-14VTR	30/07/05 12/09/08	
M1	<b>995746</b>	COMPRESSORE 20,4 CC T2178GK/SC18CL R404A COMPRESSOR 20,4 CC T2178GK/SC18CL R40	AF6-7VTR	30/07/05 12/09/08	
	<b>996724</b>	COMPRESSORE DANFOSS SC 18 CLX.2 R404A COMPRESSOR DANFOSS SC 18 CLX.2 R404A		15/09/08 00/00/00	
M1	<b>995770</b>	COMPRESSORE 22,4 CC.T2180GK-SC21CL R404A COMPRESSOR 22,4 CC.T2180GK-SC21CL R404A	AF12-14	30/04/97 00/00/00	
M1	<b>995740</b>	COMPRESSORE NL7.3MF FR8.5G/B6160Z R134 COMPRESSOR NL7.3MF FR8.5G/B6160Z R134	AR6-7 • ARR_ • AR6-7VTR • AP6-7 • ARP_ • AFP_ • ARF_	21/11/03 05/11/06	
	<b>996353</b>	COMPRESS.DANFOSS NL7.3MF R134A 230/50- COMPRESSOR DANFOSS NL7.3MF R134A 230/50-		06/11/06 13/05/07	
	<b>996592</b>	COMPRESS.ACC GL80TB R134A 220-240/1/50 COMPRESSOR ACC GL80TB R134A 220-240/1/50		14/05/07 00/00/00	
M1	<b>995743</b>	COMPRESSORE 12,00 CC E6187Z/SC12G R134A COMPRESSOR 12,00 CC E6187Z/SC12G R134A	AR12-14 • AP12-14	21/11/03 12/03/06	
	<b>996355</b>	COMPRESS.DANFOSS NL10 MF R134A 230/50- COMPRESSOR DANFOSS NL10 MF R134A 230/50-		13/03/06 00/00/00	
M1	<b>995745</b>	COMPRESSORE 17,4 CC T2168GK/SC15CL R40 COMPRESSOR 17,4 CC T2168GK/SC15CL R40	AF6-7 • AFP_ • ARF_	21/11/03 12/09/08	
	<b>996725</b>	COMPRESSORE DANFOSS SC 15 CLX.2 R404A COMPRESSOR DANFOSS SC 15 CLX.2 R404A		15/09/08 00/00/00	
M2	<b>995635</b>	VENTIL. PIATTO D=120 230V 4715MS-23T-B FLAT FAN D=120 230V 4715MS-23T-B		17/11/05 00/00/00	●
kit M2	<b>995526</b>	MOTORE+VENTOLA COND. STVF 124/194 ENGINE + CONDENSER FAN STVF 124/194	AF12-14 • AF12-14VTR	09/06/97 00/00/00	●
kit M2	<b>996158</b>	MOTORE+VENTOLA COND. STVF 93 ENGINE + CONDENSER FAN STVF 93	AR_ • ARR_ • AR_VTR • AP6-7 • AP12-14 • ARP_ • AFP_ • ARF_	02/10/02 00/00/00	●
M3	<b>935870</b>	VENT.ELCO 50/60 38-10W 1500G D=200 28° ELCO FAN 50/60 38-10W 1500G D=200 28°	AR6-7 • ARR_ • AR6-7VTR • AP6-7 • ARP_ • AFP_ • AF6-7 • AF6-7VTR • ARF_	16/11/04 00/00/00	●
M3	<b>935873</b>	VENT.ELCO 50/60 53-10W 1500G D=230 28° ELCO FAN 50/60 53-10W 1500G D=230 28°	AR12-14 • AR12-14VTR • AP12-14 • AF12-14 • AF12-14VTR	16/11/04 00/00/00	●
MAS	<b>935822</b>	MASCHERINA COMANDI AR PLANET FRIULINOX CONTROL PANEL RC PLANET FRIULINOX	AR_ • ARR_ • AR_VTR • AP_ • ARP_ • AFP_ • AF_ • ARF_ • AF_VTR	28/04/04 00/00/00	
MO/CO	<b>935959</b>	MOLLA FISSAGGIO FILTRO STVF L=280 FIXING SPRING FOR CONDENSER FILTER L=280	AR_ • ARR_ • AR_VTR • AP_ • ARP_ • AFP_ • AF_ • ARF_ • AF_VTR	29/11/04 00/00/00	
MN	<b>935846</b>	MANIGLIA PORTA VTR AR PLANET HANDLE FOR GLASS DOOR PLANET CABINETS	AR_VTR • AF_VTR	07/03/05 00/00/00	
OR	<b>996208</b>	ORIFIZIO N°00 DANFOSS N.00 ORIFICE DANFOSS	AR_-P • ARR_-P • AR_VTR-P • AP_-P • ARP_-P • AFP_-P • ARF_-P	18/03/03 00/00/00	
OR	<b>996263</b>	ORIFIZIO N°01 ODF DANFOSS N.01 ORIFICE ODF DANFOSS	AP_-P • AF_-P • ARF_-P • AF_VTR-P	05/04/04 00/00/00	
P	<b>995240</b>	PRESSOSTATO KP 5 AUTOMATICO HP KP 5 PRESSURE SWITCH AUTOMATIC HP		17/11/05 00/00/00	●
P/W	<b>935984</b>	CAVO CON PORTALAMPADA AR7/14 PLANET CABLE + BULB SOCKET AR7/14 PLANET	AR_ • ARR_ • AP_ • ARP_ • AFP_ • AF_ • ARF_	07/10/04 00/00/00	
PC G	<b>965648</b>	PARACOLPO D=20,5 H=7,6 BUMPER D=20,5 H=7,6	AR_ • ARR_ • AR_VTR • AP_ • ARP_ • AFP_ • AF_ • ARF_ • AF_VTR	24/06/05 00/00/00	
PCE	<b>935848</b>	PANNELLO COPERTURA EVAP. AR PLANET PANEL COVERING EVAPORATOR PLANET CAB.	AR_ • ARR_ • AR_VTR • AP_ • ARP_ • AFP_ • AF_ • ARF_ • AF_VTR	15/11/04 00/00/00	
PI 1	<b>935853</b>	ASS.PIEDE INOX 2"TONDO H=115-180 AR NEW FOOT ASS. INOX 2"ROUND H=115-180CAB. NEW		17/11/04 00/00/00	
PI 8	<b>965792</b>	KIT PIEDINI H=45 PER ABB 051 KIT FOOT H=45 FOR BLAST CHILLER 051		15/04/08 00/00/00	
PI 9	<b>965794</b>	AS.PIEDE 1"PERNO M10 R.45-54 FOOT ASS. 1" PIN M10 R.45-54		15/04/08 00/00/00	
PL	<b>935801</b>	FIANCHETTO DX AR7 PLANET RIGHT LATERAL PANEL AR7 PLANET	AR7-14 • ARR142 • AR7-14VTR • AP7-14 • ARP142 • AFP142 • AF7-14 • ARF142 • AF7-14VTR	10/11/04 17/04/05	



referim. reference	codice code	descrizione description	modello model	da...a from...to	ricambi cons. rec. spare part
PL	935802	ASS. FIANCHETTO SX AR7 PLANET LEFT LATERAL PANEL AR7 PLANET	AR7-14 • ARR142 • AR7-14VTR • AP7-14 • ARP142 • AFP142 • AF7-14 • ARF142 • AF7-14VTR	10/11/04 17/04/05	
PL	935804	ASS. FIANCHETTO DX AR6 PLANET RIGHT LATERAL PANEL AR6 PLANET	AR6-12 • ARR122 • AR6-12VTR • AP6-12 • ARP122 • AFP122 • AF6-12 • ARF122 • AF6-12VTR	10/11/04 17/04/05	
PL	935805	ASS. FIANCHETTO SX AR6 PLANET LEFT LATERAL PANEL AR6 PLANET	AR6-12 • ARR122 • AR6-12VTR • AP6-12 • ARP122 • AFP122 • AF6-12 • ARF122 • AF6-12VTR	10/11/04 17/04/05	
PL	935907	FIANCHETTO DX AR7 PLANET RIGHT SIDE AR7 PLANET	AR7-14 • ARR142 • AR7-14VTR • AP7-14 • ARP142 • AFP142 • AF7-14 • ARF142 • AF7-14VTR	07/03/05 31/08/05	
PL	935908	FIANCHETTO SX AR7 PLANET LEFT SIDE AR7 PLANET	AR7-14 • ARR142 • AR7-14VTR • AP7-14 • ARP142 • AFP142 • AF7-14 • ARF142 • AF7-14VTR	07/03/05 31/08/05	
PL	935909	FIANCHETTO DX AR6 PLANET RIGHT SIDE AR6 PLANET	AR6-12 • ARR122 • AR6-12VTR • AP6-12 • ARP122 • AFP122 • AF6-12 • ARF122 • AF6-12VTR	18/04/05 31/08/05	
PL	935910	FIANCHETTO SX AR6 PLANET LEFT SIDE AR6 PLANET	AR6-12 • ARR122 • AR6-12VTR • AP6-12 • ARP122 • AFP122 • AF6-12 • ARF122 • AF6-12VTR	18/04/05 31/08/05	
PO_b	935041	ASS. PORTA MZ SCHIUMATA AR HALF DOOR FOR CABINETS	AR_ • ARR_ • AP_ • ARP_ • AFP_ • AF_ • ARF_	20/05/08 00/00/00	
PO_b	996350	***ASS.PORTA INT.SCHIUMATA AR ECO PLAN DOOR FOR PLANET CABINET ECO	AR_ • ARR_ • AP_ • ARP_ • AFP_ • AF_ • ARF_	03/02/06 00/00/00	
PO_b	996351	ASS.PORTA INT.SCHIUMATA AR DOOR FOR CABINETS	AR_ • ARR_ • AP_ • ARP_ • AFP_ • AF_ • ARF_	07/02/06 00/00/00	
PO_c	935803	ASS. PORTA INT.SCHIUM. PLANET DOOR FOR PLANET CABINETS	AR_ • ARR_ • AP_ • ARP_ • AFP_ • AF_ • ARF_	10/11/04 00/00/00	
PO 1/2_c	935809	ASS.PORTA 1/2 SUP SCHIUM.PLANET HALF UPPER DOOR PLANET	AR_ • ARR_ • AP_ • ARP_ • AFP_ • AF_ • ARF_	10/11/04 00/00/00	
PO 1/2_c	935810	ASS.PORTA 1/2 SCHIUM.INF.DX C/SERR PLANET HALF RIGHT LOWER DOOR WITH LOCK PLANET	AR_ • ARR_ • AP_ • ARP_ • AFP_ • AF_ • ARF_	10/11/04 00/00/00	
PO 1/2_c	935811	ASS.PORTA 1/2 SCHIUM.INF.SX C/SERR PLA HALF LEFT LOWER DOOR WITH LOCK PLANET	AR_ • ARR_ • AP_ • ARP_ • AFP_ • AF_ • ARF_	10/11/04 00/00/00	
PO 1/2_b	935042	ASS.PO.MZ SCHIUMATA DX C/SERRATURA HALF RIGHT DOOR WITH LOCK	AR_ • ARR_ • AP_ • ARP_ • AFP_ • AF_ • ARF_	20/05/08 00/00/00	
PO 1/2_b	935043	ASS.PO.MZ.SCHIUMATA SX C/SERRATURA HALF LEFT DOOR WITH LOCK	AR_ • ARR_ • AP_ • ARP_ • AFP_ • AF_ • ARF_	20/05/08 00/00/00	
kit PO V dx	935860	PORTA VETRO TN DX AR PLANET RIGHT GLASS DOOR FOR PLANET TN CABINET	AR_VTR	12/03/06 00/00/00	
kit PO V sx	935861	PORTA VETRO TN SX AR PLANET RIGHT GLASS DOOR FOR PLANET TN CABINET	AR_VTR	12/03/06 00/00/00	
kit PO V dx	935862	PORTA VETRO BT 3VTR RISC.DX AR PLANET RIGHT 3-GLASS DOOR BT WARMED PLANET CAB.	AF_VTR	21/03/06 00/00/00	
kit PO V sx	935863	PORTA VETRO BT 3VTR RISC.SX AR PLANET LEFT 3-GLASS DOOR BT WARMED PLANET CAB.	AF_VTR	12/03/06 00/00/00	
PR 3	935855	ASS.RUOTA CON FRENO AR PLANET/STAR REV.CASTOR WITH BRAKES PLANET/STAR CAB.	AR_ • ARR_ • AR_VTR • AP_ • ARP_ • AFP_ • AF_ • ARF_ • AF_VTR	17/11/04 19/09/07	
	996600	RUOTA GIR D=100 3477PJO100/30P62 C/F P REV.CASTOR WITH B. D=100 3477PJO100/30P62		20/09/07 00/00/00	
PR 4	935854	RUOTA GIREVOLE S/FRENO AR PLANET/STAR REV.CAS. WITHOUT BRAKES PLANET/STAR CAB.	AR_ • ARR_ • AR_VTR • AP_ • ARP_ • AFP_ • AF_ • ARF_ • AF_VTR	17/11/04 19/09/07	
	996599	RUOTA GIR D=100 3470PJO100/30P62 S/F P R.CAS. WITHOUT BR. D=100 3470PJO100/30P62		20/09/07 00/00/00	
PVE	995776	ASS.SEMIPROT.VALVOLA 'FLICA-DANFOSS' SEMI-PROTECTION VALVE 'FLICA/DANFOSS'	AR_-P • ARR_-P • AR_VTR-P • AP_-P • ARP_-P • AFP_-P • AF_-P • ARF_-P • AF_VTR-P	13/06/97 00/00/00	
Q	996017	RELE' AVVIAMENTO DANFOSS '117U6003' STARTING RELAY DANFOSS '117U6003'	> 995743	21/11/03 12/03/06	●
	996549	RELE' AVVIAMENTO DANFOSS '117U6022' STARTING RELAY DANFOSS '117U6022'	> 995743 > 996355	13/03/06 00/00/00	●
Q	996020	RELE' AVVIAMENTO DANFOSS '117U6015' STARTING RELAY DANFOSS '117U6015'	> 995740	22/05/00 05/11/06	●
Q	996021	RELE' AVVIAMENTO DANFOSS '117U6019' STARTING RELAY DANFOSS '117U6019'	> 995745 > 996725	22/05/00 12/09/08	●

riferim. reference	codice code	descrizione description	modello model	da...a from...to	ricambi cons. rec. spare part
Q	<b>996548</b>	RELE' AVVIAMENTO DANFOSS '117U6016' STARTING RELAY DANFOSS '117U6016'	> 996353	06/11/06 13/05/07	●
Q	<b>996751</b>	RELE' AVVIAMENTO DANFOSS '117U6013' STARTING RELAY DANFOSS '117U6013'	> 996724	11/06/08 00/00/00	●
Q	<b>996763</b>	RELE' AVVIAMENTO ACC '127S-8' STARTING RELAY ACC '127S-8'	> 996592	14/05/07 00/00/00	●
R1	<b>935849</b>	RES.BATT.GUARN.PORTA 31W PLANET/STAR FRAME RESISTANCE DOOR 31W PLANET/STAR	AR_ • ARR_ • AR_VTR • AP_ • ARP_ • AFP_ • AF_ • ARF_ • AF_VTR	15/11/04 00/00/00	●
R1	<b>935850</b>	RES.BAT.GUARN.P.1/2 41W PLANET/STAR FRAME RESIST. HALF DOORS 41W PLANET/STAR	AR_ • ARR_ • AP_ • ARP_ • AFP_ • AF_ • ARF_	15/11/04 00/00/00	
R2	<b>935871</b>	RES.SBRIN.230V 350W AR6/7 PLANET DEFROSTING RESIST. 230V 350W AR6/7 PLANET	AR6-7 • ARR122 • AR6-7VTR • AP6-7 • ARP122 • AFP122 • AF6-7 • ARF122 • AF6-7VTR	01/07/05 00/00/00	●
R2	<b>935874</b>	RES.SBRIN.230V 700W AR12/14 PLANET DEFROSTING RES. 230V 700W AR12/14 PLANET	AR12-14 • ARR142 • AR12-14VTR • AP12- 14 • ARP142 • AFP142 • AF12-14 • ARF142 • AF12-14VTR	16/11/04 00/00/00	●
R3	<b>935875</b>	CARTUCCIA RIS AR PLANET PTC 90W 230/26 HEATER PTC 90W 230/26 PLANET CABINETS	AR_-P • ARR_-P • AR_VTR-P • AP_-P • ARP_-P • AFP_-P • AF_-P • ARF_-P • AF_VTR-P	28/11/06 00/00/00	
RL	<b>995161</b>	RICEVITORE DI LIQUIDO 0,85 LITRI LIQUID RECEIVER 0,85 LITERS	AR12-14VTR	22/02/05 00/00/00	
S/R3	<b>936662</b>	SUPPORTO RESISTENZA AR PLANET PREDISP. RESIST. SUPPORT PLANET CAB. WITHOUT R.U.	AR_-P • ARR_-P • AR_VTR-P • AP_-P • ARP_-P • AFP_-P • AF_-P • ARF_-P • AF_VTR-P	28/11/06 00/00/00	
SCE	<b>935985</b>	ASS.SCATOLA ELETTR.AR7/14 PLANET ELECTRIC BOX ASS. AR7/14 PLANET	AR_ • ARR_ • AR_VTR • AP_ • ARP_ • AFP_ • ARF_	17/04/05 00/00/00	
SCE	<b>996657</b>	ASS.SCATOLA ELETTR.AF7/14 PLANET ELECTRIC BOX ASS. AF7/14 PLANET	AFP_ • AF_ • ARF_ • AF_VTR	18/04/05 00/00/00	
TEC	<b>936663</b>	SERP.EVAP.ACQUA DI SRIN.AF7/14 PLANET COIL PIPE EVAP. DEFROST WATER AF7/14 PL.	AF_ • AF6-7VTR • ARF_ • AFP122	22/07/04 00/00/00	
TEC	<b>935986</b>	SERPENT.EVAP.ACQUA DI SBRIN. AR PLANET COIL PIPE EVAP.DEFROST WATER PL.CAB.	AR_ • AR_VTR • ARR_ • AP_ • ARP122 • ARF_ • AFP122	22/07/04 00/00/00	
TEC	<b>935987</b>	SERP.EVAP.ACQUA SBRIN.AF7/14 VTR PLAN. COIL PIPE EVAP. DEFROST WATER AF GLAS.	AF12-14VTR	09/05/05 00/00/00	
TG 1-2	<b>996148</b>	TUBO FLEX GOMMA+CALZA 3/8M-1/2F L=200 FLEX PLAST. TUBE+BRAIDING 3/8M-1/2F L=200		09/05/02 00/00/00	
TR	<b>935642</b>	ASS.TRAVERS.SCHIUM. AR7 2MZ.PORTE PLANET CROSSBEAM HALF DOOR AR7 PLANET	AR_ • ARR_ • AP_ • ARP_ • AFP_ • AF_ • ARF_	30/07/08 00/00/00	
TS	<b>935676</b>	ASS.SCAMB. TUBO 10X1 CAP.1,24X3000 EXCHANGER TUBE 10X1 CAP.1,24X3000	AF12-14	23/04/02 00/00/00	
TS	<b>935680</b>	SCAMBIATORE 1,24X4000 AF6/7 R22/R404A EXCHANGER TUBE 1,24X4000 AF6/7 R22/R404A	AFP_ • AF6-7 • ARF_ • AF_VTR	05/09/01 00/00/00	
TS	<b>996222</b>	ASS.SCAMB.8X1 CAP.1.24X3000 AR6/7 EXCHANGER TUBE 8X1 CAP.1.24X3000 AR6/7	AR_ • ARR_ • AR_VTR • AP_ • ARP_ • AFP_ • ARF_	19/06/03 00/00/00	
TS	<b>935988</b>	ASS.RITORNO/SCAMB. AF14 VTR BT PLANET EXCHANGER TUBE AF14 GL. BT PLANET	AF12-14VTR	22/02/05 00/00/00	
TSC	<b>935989</b>	TUBO SCARICO ACQUA DI SBRIN. AR PLANET DRAIN TUBE WATER DEFROST PLANET CABINETS	AR_ • ARR_ • AR_VTR • AP_ • ARP_ • AFP_ • AF_ • ARF_ • AF_VTR	27/10/04 00/00/00	
V/W	<b>935357</b>	VETRINO PROTEZIONE LAMPADA AR MNSC GLASS TO PROTECT LAMP MNSC CABINETS	AR_ • ARR_ • AP_ • ARP_ • AFP_ • AF_ • ARF_	01/01/95 00/00/00	
V1	<b>995336</b>	VALVOLA SOLENOIDE 1/4" A SALDARE 230V SOLENOID VALVE 1/4" TO SOLD 230V	AF12-14VTR	22/02/05 00/00/00	
VE	<b>996205</b>	VALV.TN2 68Z3384 ODF -40+10 S/MOP R134 TH. VALVE TN2 68Z3384 ODF-40+10 S/MOP R134	AR_-P • ARR_-P • AR_VTR-P • AP_-P • ARP_-P • AFP_-P • ARF_-P	18/03/03 00/00/00	●
VE	<b>996206</b>	VALVOLA TERMOSTATICA TS2 R404A SALDARE THERMOSTATIC VALVE TS2 R404A TO SOLD	AF_-P • ARF_-P • AF_VTR-P	18/03/03 00/00/00	●
VE	<b>996259</b>	VALV.TES2 68Z3648 ODF -40-15 MOP-10 R4 TH.VALVE TES2 68Z3648 ODF -40-15 MOP-10 R4	AF12-14VTR-P	22/02/05 08/09/04	●
VP	<b>995492</b>	VALVOLA PRESSOSTATICA DA 3/8 ACQUA PRESSURE VALVE 3/8 WATER		17/11/05 00/00/00	
W	<b>935883</b>	AS.LAMP FLU.230V 28W LYVIA LNK.28 6400 FLUORESC. LAMP 230V 28W LYVIA LNK.28 6400	AR_VTR • AF_VTR	17/11/04 00/00/00	
W	<b>995412</b>	LAMPADA TUBOLARE 10W E14 AR MNSC TUBULAR LAMP 10W E14 AR MNSC	AR_ • ARR_ • AP_ • ARP_ • AFP_ • AF_ • ARF_	01/01/95 00/00/00	