

DESPIECE TÉCNICO TECHNICAL PARTS

Lavadoras
Washer extractors



MODELOS

LN-11-14-18-25-35-60

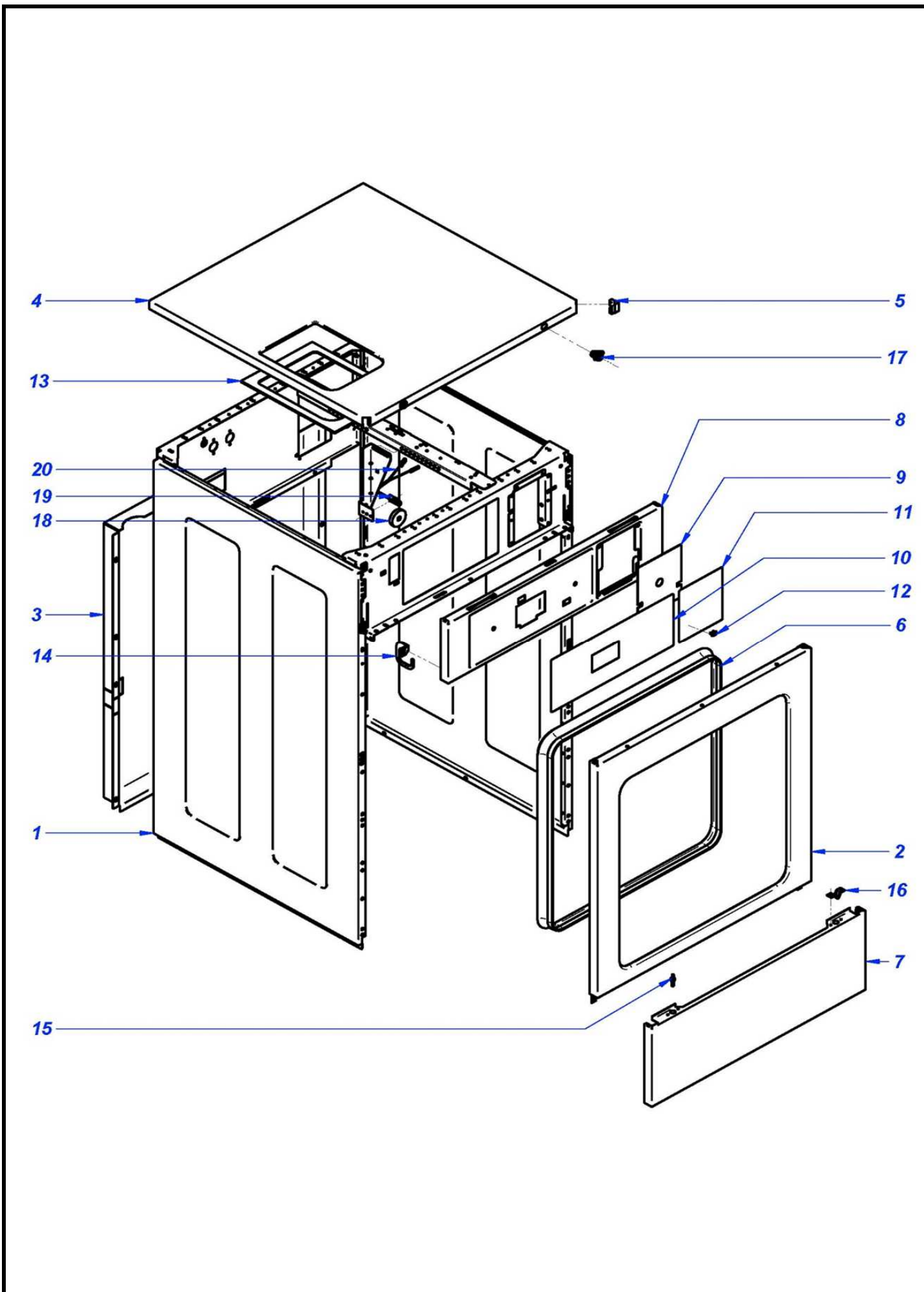
LR-11-14-18-25

Diciembre 2015 December
Revisado julio 2016 July revised



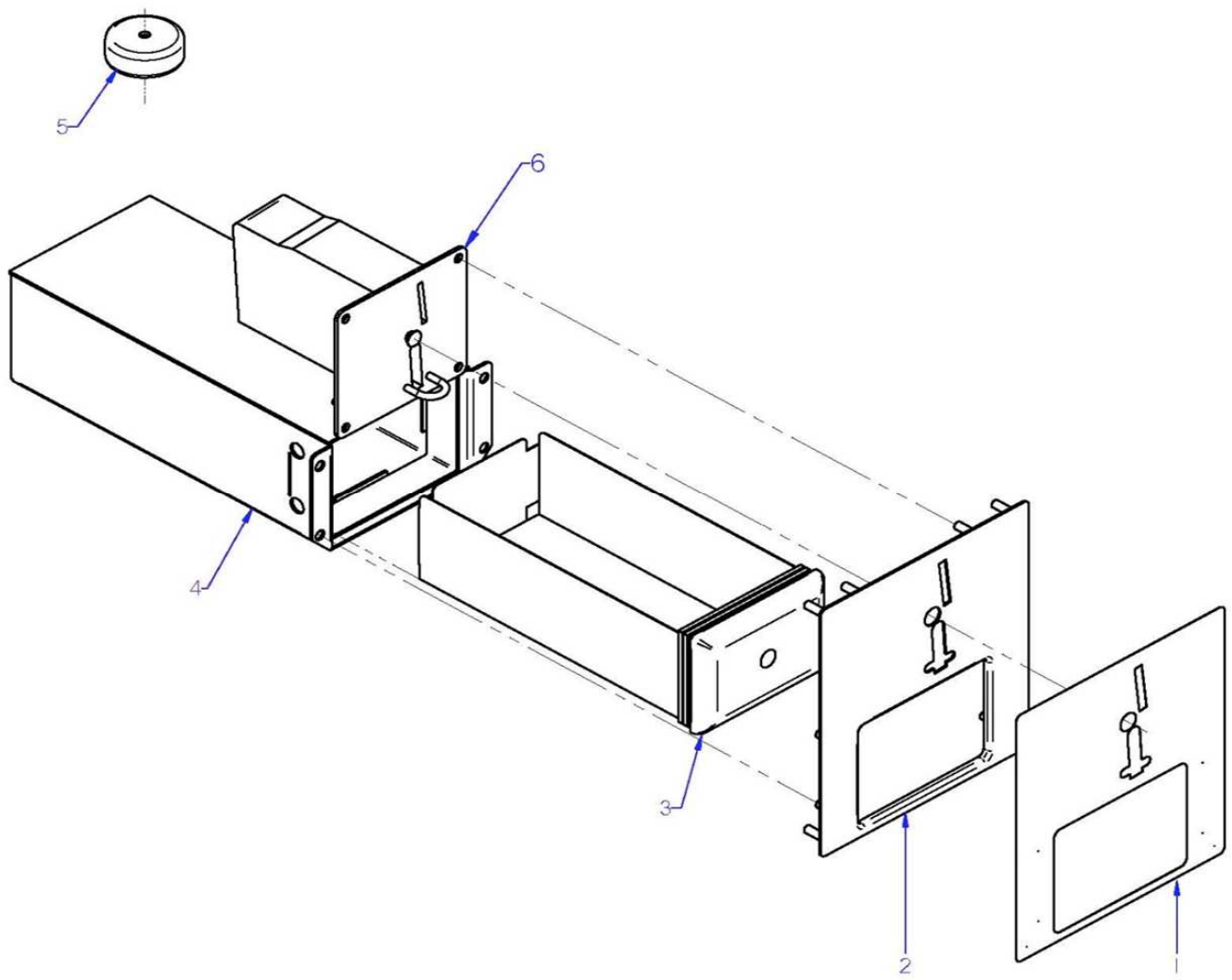
Together we evolve





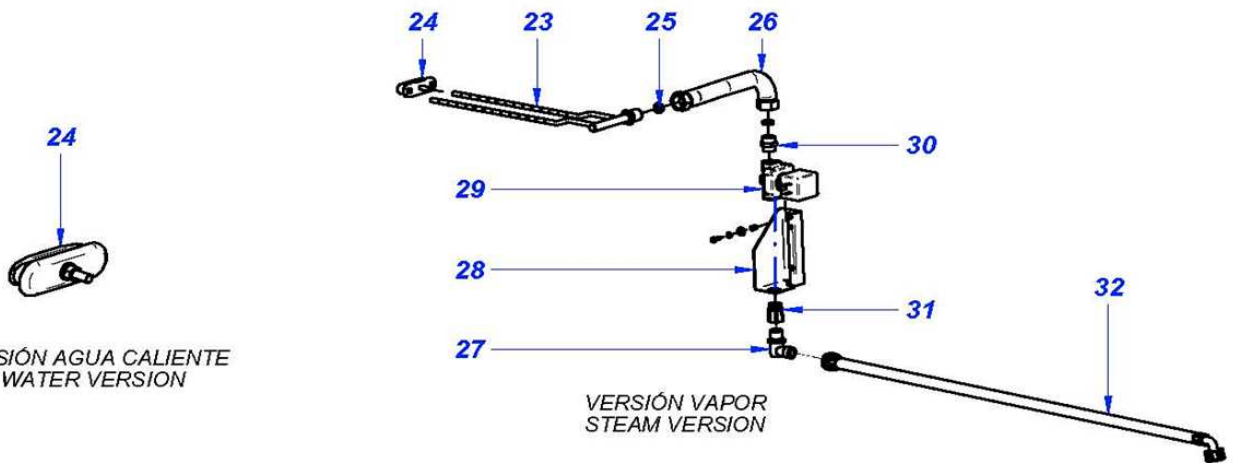
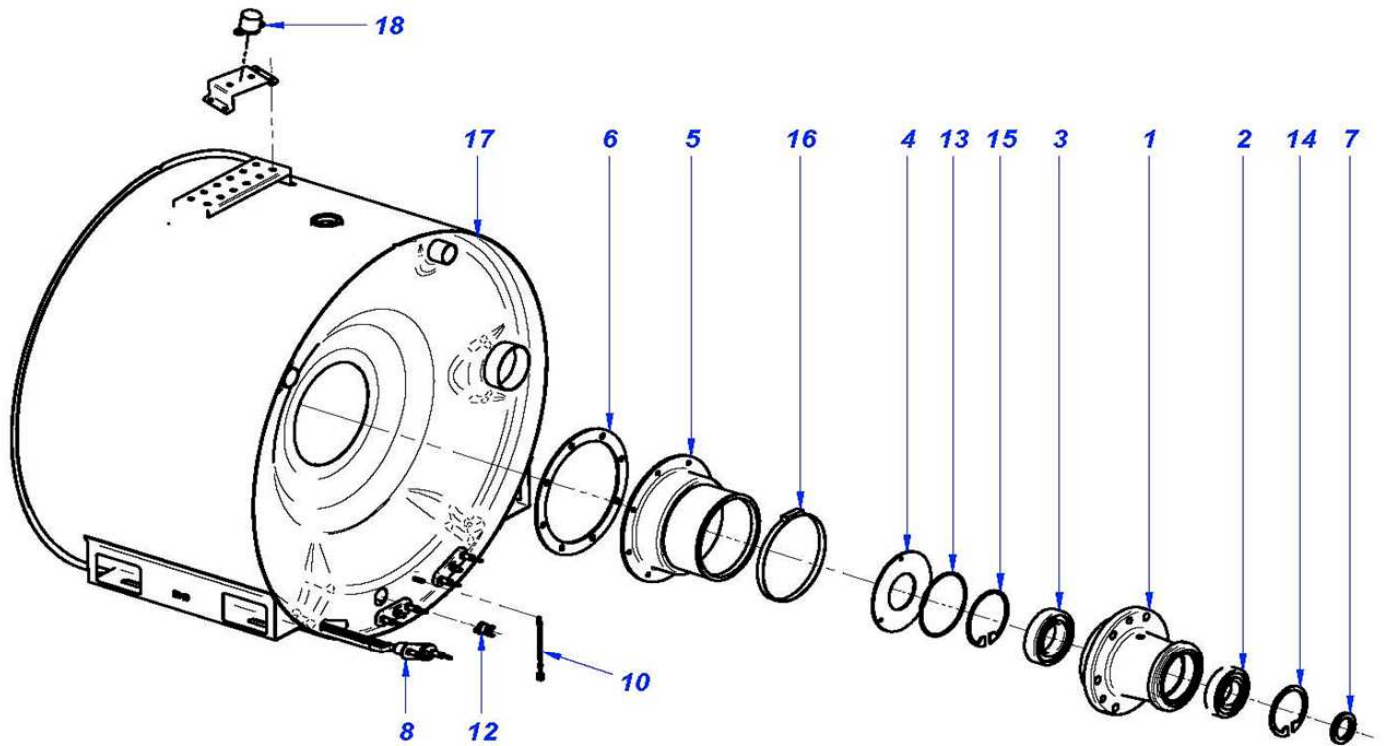
Drawing Nr.	Signature	Date	MUEBLE / CABINET	Sheet
	Iban R.	dic-15	LN_LR-11-14-18-25-35-60 TP	1





Drawing Nr.	Signature	Date	MONEDERO / KIT COIN	Sheet
	Iban R.	dic-15	LN_LR-11-14-18-25-35-60 TP	2





24
 VERSIÓN AGUA CALIENTE
 HOT WATER VERSION

23 25 26
 29 30
 28 31
 27 32
 VERSIÓN VAPOR
 STEAM VERSION

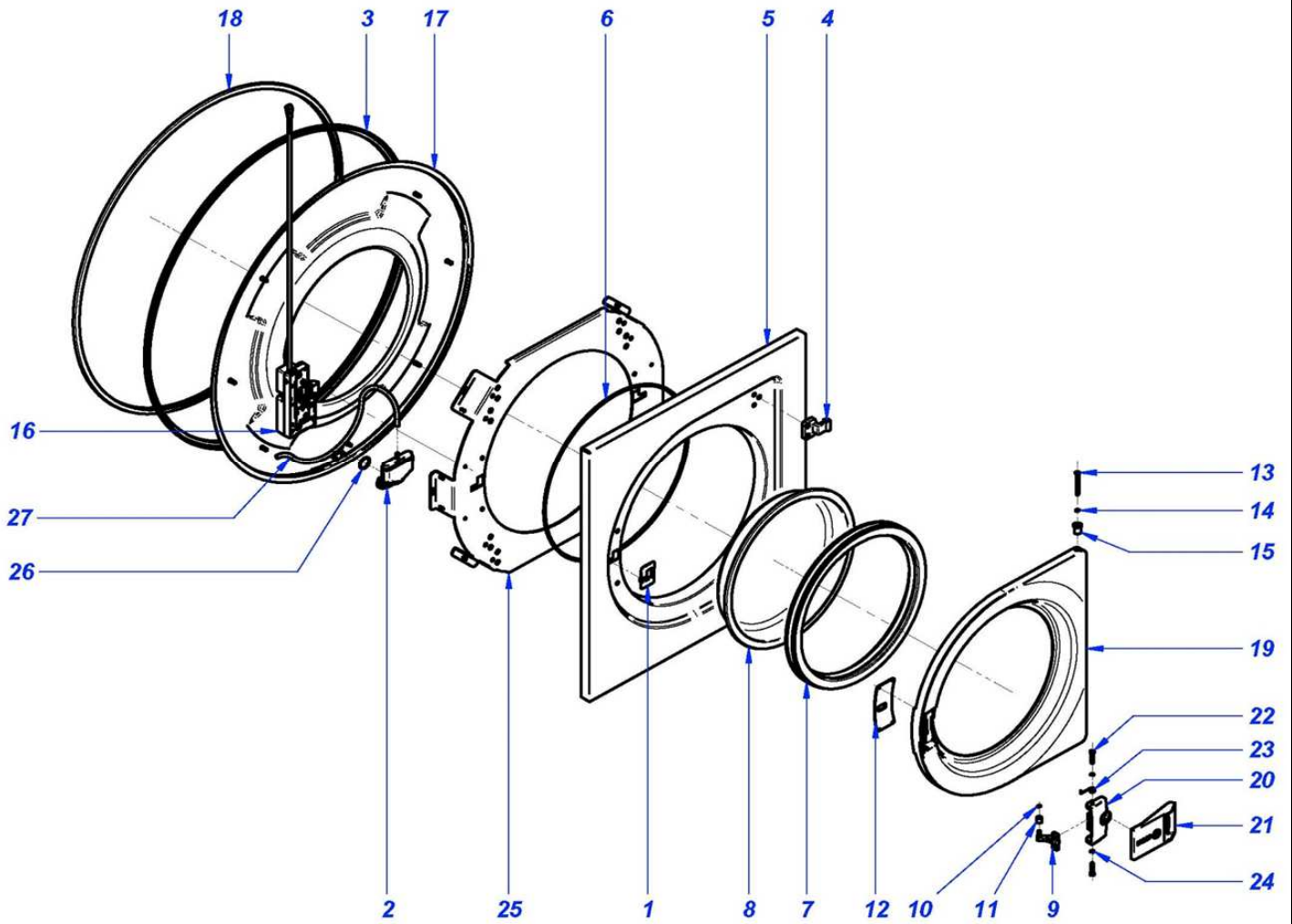
Drawing Nr.	Signature	Date	CUBA / TUB	Sheet
	Iban R.	sep-15	LN_LR-11-14-18-25-35-60 TP	3



ITEM	REFERENCIA REFERENCE	DENOMINACIÓN	DENOMINATION	LN-11 TP	LN-14 TP	LN-18 TP	LN-25 TP	LN-35 TP	LN-60 TP	RECOMMENDED	ELIMINADO ELIMINATED	INTRODUCIDO INTRODUCED
1	12047101	SOP RODAMIENTOS MECANIZADO	MECHANIIIZED BEARING SUPPORT	1								
1	12095450	SOP RODAMIENTOS MECANIZADO	MECHANIIIZED BEARING SUPPORT		1							
1	12095451	SOP RODAMIENTOS MECANIZADO	MECHANIIIZED BEARING SUPPORT			1						
1	12095452	SOP RODAMIENTOS MECANIZADO	MECHANIIIZED BEARING SUPPORT				1					
1	12095453	SOP RODAMIENTOS MECANIZADO	MECHANIIIZED BEARING SUPPORT					1				
1	12096461	SOP RODAMIENTOS MECANIZADO	MECHANIIIZED BEARING SUPPORT						1			
2	12047104	RODAMIENTO 6208 40X80X18	BEARING 6208 40X80X19	1								
2	12024905	RODAMIENTO 45/85/19	BEARING 45/85/19		1							
2	12024886	RODAMIENTO 6210-2Z	BEARING 6210-2Z			1						
2	12023485	RODAMIENTO 6212-2RS1	BEARING 6212-2RS1				1					
2	12023411	RODAMIENTO 6216-2RS1	BEARING 6216-2RS1					1				
2	12097296	RODAMIENTO 6316 ZZ (80x170x39)	BEARING 6316 ZZ (80x170x39)						1			
3	12024886	RODAMIENTO 6210-2Z	BEARING 6210-2Z	1								
3	12024842	RODAMIENTO 55/100/21	BEARING 55/100/21		1							
3	12023485	RODAMIENTO 6212-2RS1	BEARING 6212-2RS1			1						
3	12023445	RODAMIENTO 6214-2RS1	BEARING 6214-2RS1				1					
3	12023428	RODAMIENTO 6312-2Z	BEARING 6312-2Z					1				
3	12097295	RODAMIENTO 6318 DDU (90x190x43)	BEARING 6318 DDU (90x190x43)						1			
4	12047599	CHAPA CONTRARETEN	FLAT LIP SEAL SHEET	1								
4	12047324	CHAPA CONTRARETEN	FLAT LIP SEAL SHEET		1							
4	12047932	CHAPA CONTRARETEN	FLAT LIP SEAL SHEET			1						
4	12047136	CHAPA CONTRARETEN	FLAT LIP SEAL SHEET				1					
4	12047934	CHAPA CONTRARETEN	FLAT LIP SEAL SHEET					1				
4	12098163	CHAPA CONTRARETEN	FLAT LIP SEAL SHEET						1			
5	12047895	CONDUCTO CUBA	TUB PIPE	1	1							
5	12047896	CONDUCTO CUBA	TUB PIPE			1						
5	12047897	CONDUCTO CUBA	TUB PIPE				1					
5	12047898	CONDUCTO CUBA	TUB PIPE					1				
5	12098160	CONDUCTO CUBA	TUB PIPE						1			
6	12047939	CHAPA CONDUCTO CUBA	TUB PIPE SHEET	1	1							
6	12047942	CHAPA CONDUCTO CUBA	TUB PIPE SHEET			1						
6	12047941	CHAPA CONDUCTO CUBA	TUB PIPE SHEET				1					
6	12047943	CHAPA CONDUCTO CUBA	TUB PIPE SHEET					1				
6	12098161	CHAPA CONDUCTO CUBA	TUB PIPE SHEET						1			
7	12025103	CASQUILLO ADAPTADOR POLEA	PULLEY ADAPTER BUSHING	1	1	1						
8	12096226	RESISTENCIA 2000W 264MM	RESISTANCE 2000W 264MM	3							X	
8	12096023	RESISTENCIA 3000W 277MM	RESISTANCE 3000W 277MM		3						X	
8	12096051	RESISTENCIA 4000W 347MM	RESISTANCE 4000W 347MM			3					X	
8	12041359	RESISTENCIA 6.000W 509MM	RESISTANCE 6.000W 509MM				3				X	
8	12092855	RESISTENCIA 7.000W 562MM	RESISTANCE 7.000W 562MM					3			X	
8	12024721	RESISTENCIA 220-240 V	RESISTANCE 220-240 V						3		X	
10	12025036	CONJUNTO SONDA 64KOhmio NTC	PROBE 64KOhm NTC	1	1	1	1	1	1		X	
12	12096597	LIMITADOR DE SEGURIDAD	SAFETY THERMOSTAT	1	1	1	1	1	1		X	
13	12009980	JUNTA TOR. 102x3	O-RING 102x3	1	1							
13	12009940	JUNTA TOR.114x3	O-RING 114x3			1						
13	12009926	JUNTA TOR.128x3	O-RING 128x3				1					
13	12010168	JUNTA TOR.150x3	O-RING 150x3					1				
13	12025230	JUNTA TOR. 200x5	O-RING 200x5						1			
14	12102684	ANILLO SEGURIDAD 80 DIN 472	LOCKING RING 80 DIN 472	1								
14	12009847	ANILLO SEG. INT. 85 DIN-472	LOCKING RING 85 DIN 472		1							
14	12009858	ANILLO SEGURIDAD 90 DIN472	LOCKING RING 90 DIN 472			1						
14	12009802	ANILLO SEGURIDAD J110X4 DIN472	LOCKING RING J110X4 DIN472				1					
14	12009798	ANILLO SEG. INT 130 DIN-472	LOCKING RING 130 DIN-472					1				
14	12124794	ANILLO SEG. INT 170 DIN472-I	LOCKING RING 170 DIN-472						1			
15	12009858	ANILLO SEGURIDAD 90 DIN472	LOCKING RING 90 DIN 472	1								
15	12024621	ANILLO SEGURIDAD 100 DIN 472	LOCKING RING 100 DIN 472		1							
14	12009802	ANILLO SEGURIDAD J110X4 DIN472	LOCKING RING J110X4 DIN472			1						
15	12024901	ANILLO SEGURIDAD 125 DIN 472	LOCKING RING 125 DIN 472				1					
15	12049333	ANILLO SEGURIDAD 140x4 DIN 472	LOCKING RING 140x4 DIN 472					1				
15	12124798	ANILLO SEG. INT 190 DIN472-I	LOCKING RING 190 DIN-472						1			
16	12117537	ABRA.SINFIN DIN3017 ZINC. 120-140S	CLAMP DIN 3017 120-140S	1	1							
16	12049363	ABRA.SINFIN DIN 3017 SW1 150-170	CLAMP DIN 3017 SW1 150-170			1	1	1	1			
17	12130503	CUBA COMPLETA	COMPLETE TUB	1								
17	12130493	CUBA COMPLETA	COMPLETE TUB		1							
17	12130973	CUBA COMPLETA	COMPLETE TUB			1						
17	12130976	CUBA COMPLETA	COMPLETE TUB				1					
17	12130551	CUBA COMPLETA	COMPLETE TUB					1				
17	12097760	CUBA COMPLETA	COMPLETE TUB						1			

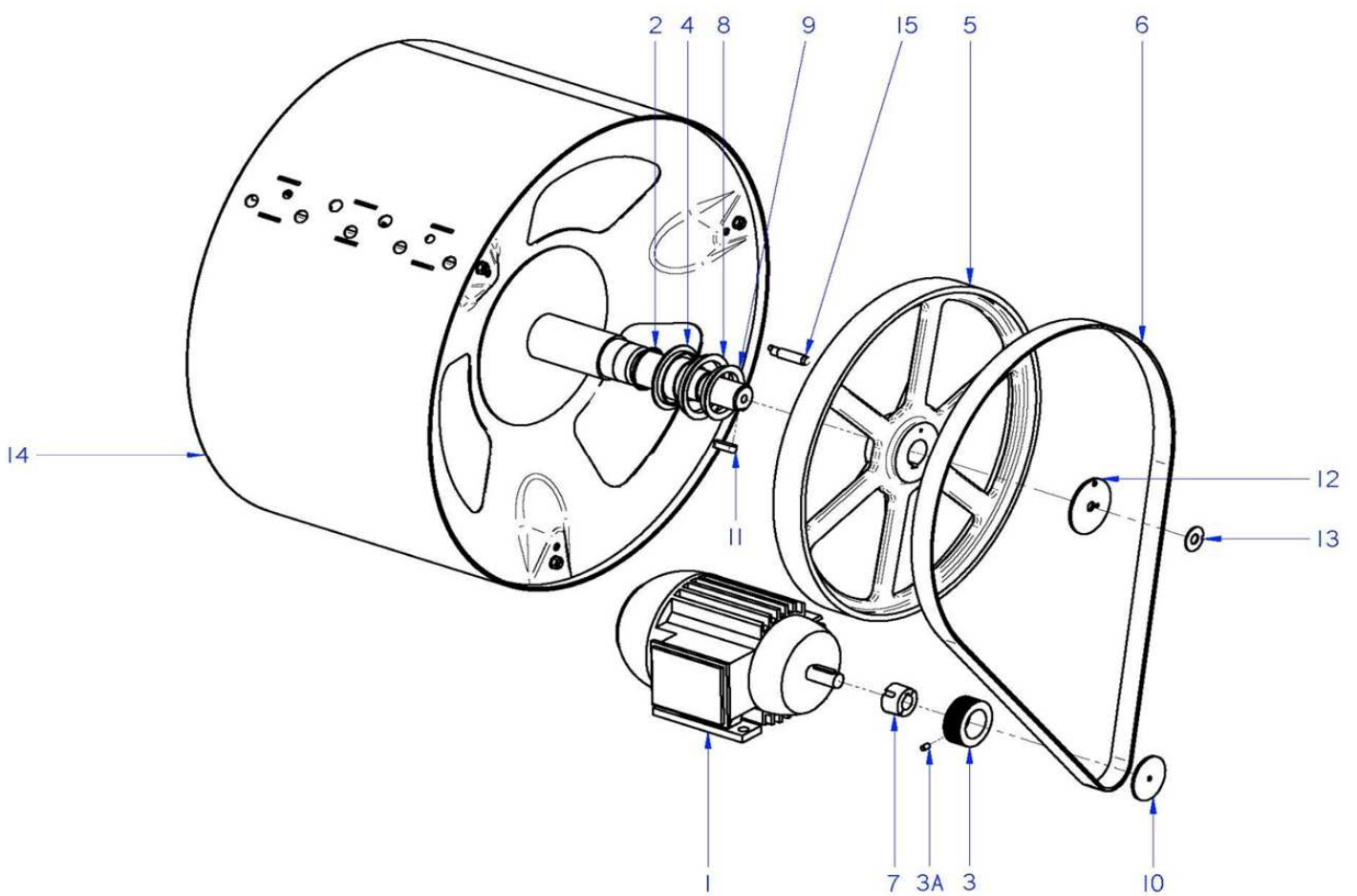
ITEM	REFERENCIA REFERENCE	DENOMINACIÓN	DENOMINATION	LR-11 TP	LR-14 TP	LR-18 TP	LR-25 TP					RECOMMENDED	ELIMINADO ELIMINATED	INTRODUCIDO INTRODUCED
1	12095450	SOP RODAMIENTOS MECANIZADO	MECHANIIZED BEARING SUPPORT	1										
1	12095451	SOP RODAMIENTOS MECANIZADO	MECHANIIZED BEARING SUPPORT		1									
1	12095452	SOP RODAMIENTOS MECANIZADO	MECHANIIZED BEARING SUPPORT			1								
1	12095453	SOP RODAMIENTOS MECANIZADO	MECHANIIZED BEARING SUPPORT				1							
2	12024905	RODAMIENTO 45/85/19	BEARING 45/85/19	1										
2	12024886	RODAMIENTO 6210-2Z	BEARING 6210-2Z		1									
2	12023485	RODAMIENTO 6212-2RS1	BEARING 6212-2RS1			1								
2	12023411	RODAMIENTO 6216-2RS1	BEARING 6216-2RS1				1							
3	12024842	RODAMIENTO 55/100/21	BEARING 55/100/21	1										
3	12023485	RODAMIENTO 6212-2RS1	BEARING 6212-2RS1		1									
3	12023445	RODAMIENTO 6214-2RS1	BEARING 6214-2RS1			1								
3	12023428	RODAMIENTO 6312-2Z	BEARING 6312-2Z				1							
4	12047324	CHAPA CONTRARETEN	FLAT LIP SEAL SHEET	1										
4	12047932	CHAPA CONTRARETEN	FLAT LIP SEAL SHEET		1									
4	12047136	CHAPA CONTRARETEN	FLAT LIP SEAL SHEET			1								
4	12047934	CHAPA CONTRARETEN	FLAT LIP SEAL SHEET				1							
5	12047895	CONDUCTO CUBA	TUB PIPE	1										
5	12047896	CONDUCTO CUBA	TUB PIPE		1									
5	12047897	CONDUCTO CUBA	TUB PIPE			1								
5	12047898	CONDUCTO CUBA	TUB PIPE				1							
6	12047939	CHAPA CONDUCTO CUBA	TUB PIPE SHEET	1										
6	12047942	CHAPA CONDUCTO CUBA	TUB PIPE SHEET		1									
6	12047941	CHAPA CONDUCTO CUBA	TUB PIPE SHEET			1								
6	12047943	CHAPA CONDUCTO CUBA	TUB PIPE SHEET				1							
7	12025103	CASQUILLO ADAPTADOR POLEA	PULLEY ADAPTER BUSHING	1	1	1								
8	12096226	RESISTENCIA 2000W 264MM	RESISTANCE 2000W 264MM	1								X		
8	12096023	RESISTENCIA 3000W 277MM	RESISTANCE 3000W 277MM		1							X		
8	12096051	RESISTENCIA 4000W 347MM	RESISTANCE 4000W 347MM			1						X		
8	12041359	RESISTENCIA 6.000W 509MM	RESISTANCE 6.000W 509MM				1					X		
10	12025036	CONJUNTO SONDA 64KOhmio NTC	PROBE 64KOhm NTC	1	1	1	1					X		
12	12096597	LIMITADOR DE SEGURIDAD	SAFETY THERMOSTAT	1	1	1	1					X		
13	12009980	JUNTA TOR. 102x3	O-RING 102x3	1										
13	12009940	JUNTA TOR.114x3	O-RING 114x3		1									
13	12009926	JUNTA TOR.128x3	O-RING 128x3			1								
13	12010168	JUNTA TOR.150x3	O-RING 150x3				1							
14	12009847	ANILLO SEG. INT. 85 DIN-472	LOCKING RING 85 DIN 472	1										
14	12009858	ANILLO SEGURIDAD 90 DIN472	LOCKING RING 90 DIN 472		1									
14	12009802	ANILLO SEGURIDAD J110X4 DIN472	LOCKING RING J110X4 DIN472			1								
14	12009798	ANILLO SEG. INT 130 DIN-472	LOCKING RING 130 DIN-472				1							
15	12024621	ANILLO SEGURIDAD 100 DIN 472	LOCKING RING 100 DIN 472	1										
15	12009802	ANILLO SEGURIDAD J110X4 DIN472	LOCKING RING J110X4 DIN 472		1									
15	12024901	ANILLO SEGURIDAD 125 DIN 472	LOCKING RING 125 DIN 472			1								
15	12049333	ANILLO SEGURIDAD 140x4 DIN 472	LOCKING RING 140x4 DIN 472				1							
16	12117537	ABRA.SINFIN DIN3017 ZINC. 120-140S	CLAMP DIN 3017 120-140S	1										
16	12049363	ABRA.SINFIN DIN 3017 SW1 150-170	CLAMP DIN 3017 SW1 150-170		1	1	1							
17	12130503	CUBA COMPLETA	COMPLETE TUB	1										
17	12125195	CUBA COMPLETA	COMPLETE TUB		1									
17	12121095	CUBA COMPLETA	COMPLETE TUB			1								
17	12119670	CUBA COMPLETA	COMPLETE TUB				1							
18	12049241	INTERRUPTOR 12,5A 1 VIA	12,5A 1 WAY SWITCH	1	1	1	1							

ITEM	REFERENCIA REFERENCE	DENOMINACIÓN	DENOMINATION	LAMINA / DRAWING						RECOMMENDED	ELIMINADO ELIMINATED	INTRODUCIDO INTRODUCED
				LN/LR-11 TP S	LN/LR-14 TP S	LN/LR-18 TP S	LN/LR-25 TP S	LN-35 TP S	LN-60 TP S			
23	12021970	INYECTOR VAPOR 8,13,18	STEAM JET 10,13,18	1	1	1						
23	12021640	INYECTOR VAPOR 25	STEAM JET 25, 35				1	1				
23	12021528	INYECTOR VAPOR 120 COMPL.	STEAM JET 120						1			
24	12024539	TAPON CIERRE COMPLETO	COMPLETE CLOSURE CAP	3	3	3	3	3	3			
24	12024508	CIERRE COMPLETO	COMPLETE CLOSURE	1	1	1	1	1	1			
25	12025033	ARANDELA VAPOR 8/13/18	STEAM WASHER 8/13/18	4	4	4	4	4				
25	12024365	ARANDELA TEFLON 24X15X4	STEAM WASHER 24X15X4						3			
26	12023461	LATIGUILLO VAP. 10-13-18 PLANO	STEAM HOSE 10-136-18 FLAT	1	1	1						
26	12023410	LATIGUILLO IZQUIERDO 25 PLANO	LEFT STEAM HOSE 25 FLAT				1	1				
27	12009102	CODO LATON	L-BEND	1	1	1						
27	12023591	CODO M-H 3/4" LATON	L-BEND M-H 3/4"				1	1				
28	12021873	SOPORTE VALVULA DE VAPOR	STEAM VALVE SUPPORT	1	1	1						
28	12021899	SOPORTE VALVULA DE VAPOR 25	STEAM VALVE SUPPORT 25				1	1				
28	12023079	SOPORTE VALVULA DE VAPOR 3/4"	STEAM VALVE SUPPORT 3/4"						1			
29	12023340	VALVULA VAPOR 1/2 50/60HZ	STEAM VALVE 1/2 50/60HZ	1	1	1	1			X		
29	12024331	VALVULA VAPOR 3/4" 60HZ.	STEAM VALVE 3/4 60HZ					1	1	X		
30	12008907	MANGUITO DOBLE 1/2	1/2 DOUBLE CONNECTION	1	1	1	1	1				
30	12024396	MANGUITO 3/4	3/4 CONNECTION	1	1	1	1	1	3			
31	12008219	RACOR 1-2	1-2 CONNECTION	1	1	1	1	1				
31	12025034	ADAPTADOR 1 1/4 - 3/4	1 1/4 - 3/4 ADAPTER						1			
32	12024330	MANGUERA VAPOR 10-13-18	STEAM HOSE 10-13-18	1	1	1						
32	12024529	MANGUERA VAPOR 25 PLANA	FLAT STEAM HOSE 25				1	1				
32	12023892	MANGUERA VAPOR PLANA 40-60	FLAT STEAM HOSE 40-60						1			



Drawing Nr.	Signature	Date	FRENTE CUBA / TUB FRONT	Sheet
	Iban R.	oct-15	LN_LR-11-14-18-25-35-60 TP	5

ITEM	REFERENCIA REFERENCE	DENOMINACIÓN	DENOMINATION	LN/LR-11 TP	LN/LR-14 TP	LN/LR-18 TP	LN/LR-25 TP	LN-35 TP	LN-60 TP	RECOMMENDED	ELIMINADO ELIMINATED	INTRODUCIDO INTRODUCED
1	12096278	EMBELLECEDOR CIERRE ADHESIVO	ADHESIVE LOCK TRIM	1	1	1	1	1	1			
2	12093146	CAMPANA TANQUE	TUB'S PRESSURE CHAMBER	1	1	1	1	1	1			
3	12023268	JUNTA CUBA	TUB SEAL	1	1							
3	12023260	JUNTA CUBA	TUB SEAL			1						
3	12023255	JUNTA CUBA	TUB SEAL				1					
3	12049084	JUNTA CUBA	TUB SEAL					1				
3	12097673	JUNTA CUBA	TUB SEAL						1			
4	12123602	BISAGRA PUERTA REDONDA	ROUNDED DOOR HINGE	2	2	2	2					
4	12046248	BISAGRA PUERTA V2	DOOR HINGE V2					2	2			
5	12121045	FONDO PUERTA	DOOR BASE	1	1	1	1					
5	12129563	FONDO PUERTA	DOOR BASE					1	1			
6	11000068	PERFIL GOMA GRIS EN U 12*6	GREY RUBBER PROFILE U12*6	2	2	2	2	2	2			
7	12023284	JUNTA PUERTA	DOOR SEAL	1	1	1	1			X		
7	12048069	JUNTA PUERTA	DOOR SEAL					1	1	X		
8	12024758	MIRILLA PUERTA	DOOR WINDOW	1	1	1	1					
8	12048068	MIRILLA PUERTA	DOOR WINDOW					1	1			
9	12023347	GANCHO REGULABLE CIERRE	REGULABLE LOCK HOOK	1	1	1	1	1	1			
10	12010155	ANILLO SEG. A6 DIN471	LOCKING RING A6 DIN471	1	1	1	1	1	1			
11	12025215	CASQUILLO PUERTA	DOOR BUSHING	1	1	1	1	1	1			
12	12122308	TAPA MANETA	LID CLOSURE	1	1	1	1	1				
12	12048681	TAPA MANETA	LID CLOSURE						1			
13	12025202	PASADOR PUERTA	DOOR PIN	2	2	2	2					
13	12048691	PASADOR LN-35 D10x55	DOOR PIN LN-35 D10x55					2	2			
14	12010103	ARANDELA SEG. 4MM DIN6799	LOCK WASHER 4MM DIN6799	2	2	2	2					
14	12010074	ARANDELA SEG. 7MM DIN6799	LOCK WASHER 7MM DIN6799					2	2			
15	12048628	COJINETE SELF-OIL	SELF-OIL BUSHING					2	2			
16	12119770	CIERRE COMPLETO 2015	COMPLETE LOCK 2015	1	1	1	1	1	1	X		
17	12121232	FRENTE CUBA COMPLETA	COMPLETE TUB FRONT	1	1							
17	12121433	FRENTE CUBA COMPLETA	COMPLETE TUB FRONT			1						
17	12121443	FRENTE CUBA COMPLETA	COMPLETE TUB FRONT				1					
17	12138928	FRENTE CUBA COMPLETA	COMPLETE TUB FRONT					1				
17	12097739	FRENTE CUBA COMPLETA	COMPLETE TUB FRONT						1			
18	12023103	CIERRE CUBA COMPLETA	COMPLETE TUB ENCLOSURE	1	1							
18	12023108	CIERRE CUBA COMPLETA	COMPLETE TUB ENCLOSURE			1						
18	12023105	CIERRE CUBA COMPLETA	COMPLETE TUB ENCLOSURE				1					
18	12049772	CIERRE CUBA COMPLETA	COMPLETE TUB ENCLOSURE					1				
18	12097675	CIERRE CUBA COMPLETA	COMPLETE TUB ENCLOSURE						1			
19	12007725	PUERTA FAGOR 2010 13,18,25	FAGOR DOOR 2010 13, 18, 25	1	1	1	1					
19	12049408	PUERTA FAGOR 2010 35	FAGOR DOOR 35					1	1			
20	12010370	MANETA PUERTA FAGOR	DOOR HANDLE FAGOR	1	1	1	1	1	1			
21	12000752	POMO FAGOR 2010	KNOB FAGOR 2010	1	1	1	1	1	1			
22	12016778	PASADOR CIERRE	LOCK PIN	2	2	2	2	2	2			
23	12023383	MUELLE CIERRE	LOCK SPRING	1	1	1	1	1	1			
24	12010103	ARANDELA SEG. 4MM DIN6799	LOCK WASHER 4MM DIN6799	2	2	2	2	2	2			
25	12131545	REP CALZO PUERTA	DOOR PROP	1	1	1	1					
25	12131552	REP CALZO PUERTA	DOOR PROP					1				
25	12131553	REP CALZO PUERTA	DOOR PROP						1			
26	12093145	JUNTA TORICA CAMPANA D25x3,5	O-RING D25x3,5	1	1	1	1	1	1			
27	11000066	TUBO GOMA NEGRO Ø 8x4	BLACK RUBBER HOSE Ø 8x4	3	3	3	3	3	3			

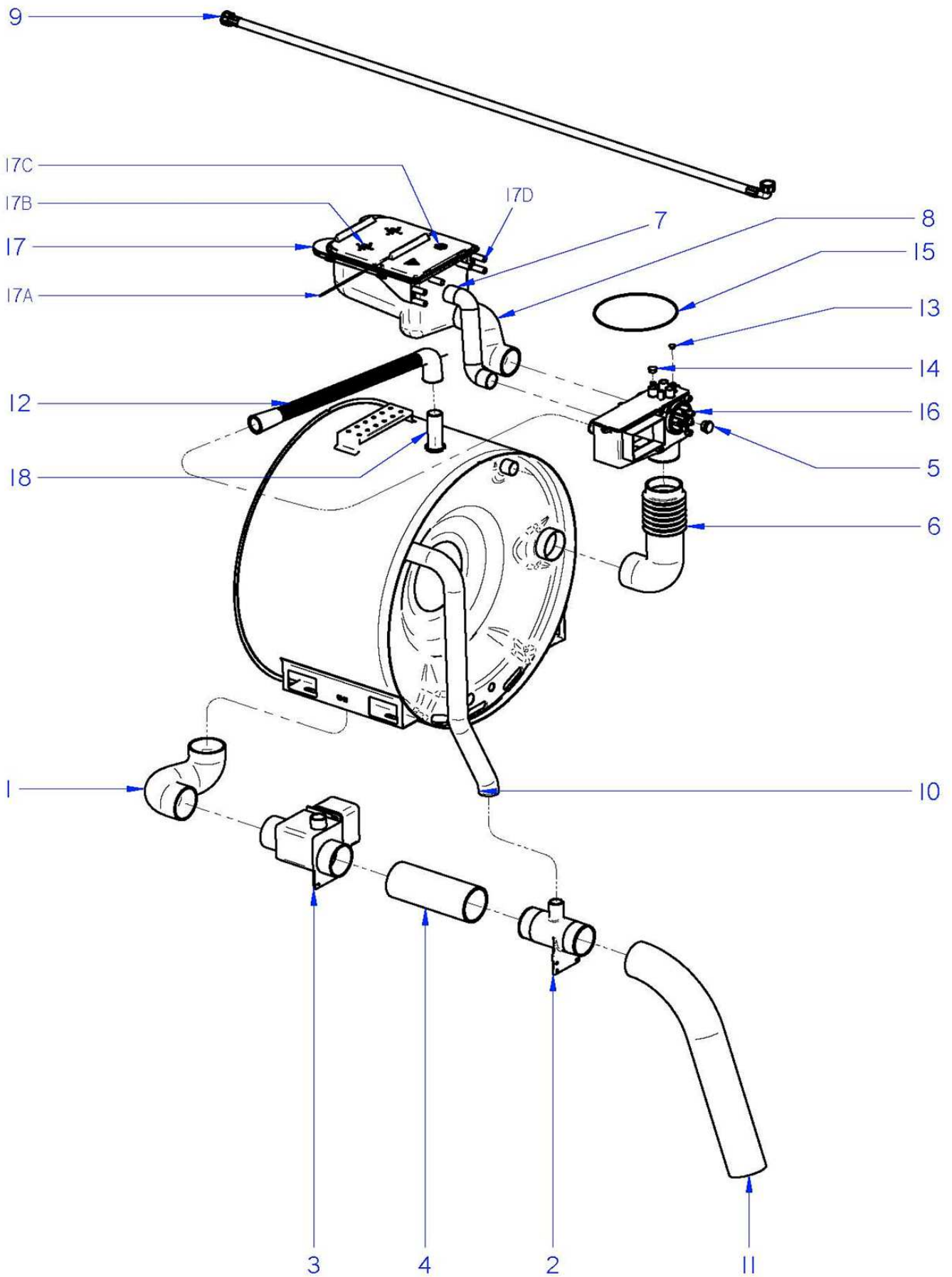


Drawing Nr.	Signature	Date	TAMBOR / DRUM	Sheet
	Iban R.	oct-15	LN_LR-11-14-18-25-35-60 TP	6

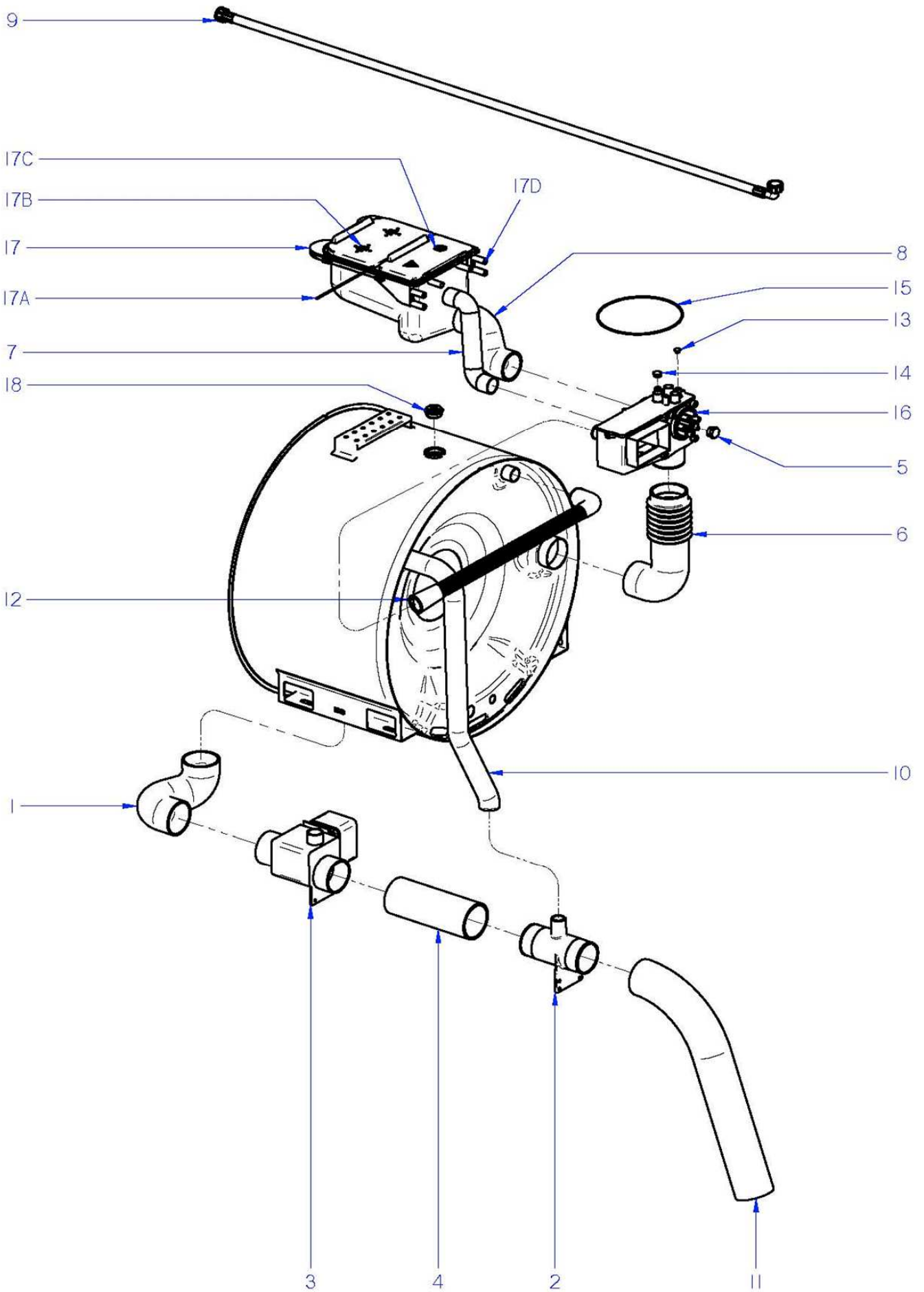


ITEM	REFERENCIA REFERENCE	DENOMINACIÓN	DENOMINATION	LN-11 TP	LN-14 TP	LN-18 TP	LN-25 TP	LN-35 TP	LN-60 TP	RECOMMENDED	ELIMINADO ELIMINATED	INTRODUCIDO INTRODUCED
1	12047485	MOTOR 230V AC 3 50Hz 0,75KW	ENGINE 230V AC 3 50Hz 0,75KW	1						X		
1	12049374	MOTOR 230V AC 3 50Hz 1,1KW	ENGINE 230V AC 3 50Hz 1,1KW		1					X		
1	12041186	MOTOR 230V AC 3 50Hz 1,5KW	ENGINE 230V AC 3 50Hz 1,5KW			1				X		
1	12047170	MOTOR 230V AC 3 50Hz 2,2KW	ENGINE 230V AC 3 50Hz 2,2KW				1			X		
1	12046367	MOTOR 230V AC 3 50Hz 3KW	ENGINE 230V AC 3 50Hz 3KW					1		X		
1	12120185	MOTOR 5,5KW ARCELIK	ARCELIK 5,5KW ENGINE						1	X		
2	12010172	JUNTA TOR. 43,01x37,77x2,62	O-RING 43,01x37,77x2,62	1								
2	12010067	JUNTA TOR. 60X3	O-RING 60x3		1	1						
2	12010054	JUNTA TOR.69x3	O-RING 69x3				1					
2	12010019	JUNTA TOR.82x3	O-RING 82x3					1				
2	12009968	JUNTA TORICA DIAM. INT 105X5	O-RING 105X5						1			
3	12049378	POLEA MOTOR	ENGINE PULLEY	1	1	1						
3	12121060	POLEA MOTOR	ENGINE PULLEY				1					
3	12049294	POLEA MOTOR	ENGINE PULLEY					1				
3	12097955	POLEA MOTOR	ENGINE PULLEY						1			
3A	12010264	VARILLA ROSCAD M6x10 DIN913	THREADED ROD M6x10 DIN913				2	2	2			
4	12047601	CASQUILLO EJE	AXIS BUSHING	1								
4	12047327	CASQUILLO EJE	AXIS BUSHING		1							
4	12041183	CASQUILLO EJE	AXIS BUSHING			1						
4	12046821	CASQUILLO EJE	AXIS BUSHING				1					
4	12046262	CASQUILLO EJE	AXIS BUSHING					1				
4	12097631	CASQUILLO EJE	AXIS BUSHING						1			
5	12048790	POLEA TAMBOR	DRUM PULLEY	1	1							
5	12041189	POLEA TAMBOR	DRUM PULLEY			1	1	1				
5	12097956	POLEA TAMBOR	DRUM PULLEY						1			
6	12049376	CORREA POLY-V 8PJ1752	BELT POLY-V 8PJ1752	1	1					X		
6	12041190	CORREA POLY-V 8PJ1895	BELT POLY-V 8PJ1895			1				X		
6	12047172	CORREA POLY-V 12PJ1956	BELT POLY-V 12PJ1956				1			X		
6	12046375	CORREA POLY-V 12PJ1992	BELT POLY-V 12PJ1992					1		X		
6	12098498	CORREA POLY V PK 2680	BELT POLY-V PK 2680						1	X		
7	12091726	CASQUILLO TAPER LOCK 1108x19	TAPER LOCK BUSHING 1108x19	1								
7	12091448	CASQUILLO TAPER LOCK 1108x24	TAPER LOCK BUSHING 1108x24		1	1						
8	12025221	RETEN V-RING VA-70 NBR	V-RING RETAINER VA-70 NBR	1								
8	12025038	RETEN V-RING VA-80 VITON	V-RING RETAINER VA-80 VITON		1							
8	12024987	RETEN V-RING VA-85 VITON	V-RING RETAINER VA-85 VITON			1						
8	12024988	RETEN V-RING VA-95 VITON	V-RING RETAINER VA-95 VITON				1					
8	12046264	RETEN VA-110 VITON	V-RING RETAINER VA-110 VITON					1				
8	12098162	RETEN V-RING VA-130 VITON	V-RING RETAINER VA-130 VITON						1			
9	12021041	RETEN V-RING 55A NBR	V-RING RETAINER 55A NBR	1								
9	12025226	RETEN V-RING 65 NBR	V-RING RETAINER 65A NBR		1	1						
9	12025220	RETEN V-RING VA-75 NBR	V-RING RETAINER VA-75 NBR				1					
9	12046263	RETEN VA-85 NBR	V-RING RETAINER VA-85 NBR					1				
9	12024993	RETEN V-RING VA-100 VITON	V-RING RETAINER VA-100 VITON						1			
10	12094052	ARANDELA POLEA MOTOR	ENGINE PULLEY WASHER	1								
10	12049398	ARANDELA POLEA MOTOR	ENGINE PULLEY WASHER		1	1						
10	12103750	ARANDELA POLEA MOTOR	ENGINE PULLEY WASHER				1		1			
10	12049379	ARANDELA POLEA MOTOR	ENGINE PULLEY WASHER					1				
11	12043164	CHAVETA 10x8x30 DIN6885 TIPO A	COTTER PIN 10x8x30 DIN6885 A	1	1							
11	12115159	CHAVETA 20x12x63 DIN6885 TIPO A	COTTER PIN 20x12x63 DIN 6885 A			1	1	1	1			
12	12021832	ARANDELA POLEA TAMBOR	DRUM PULLEY WASHER	1	1	1	1	1				
12	12114004	ARANDELA POLEA TAMBOR	DRUM PULLEY WASHER						1			
13	12009896	ARANDELA SEGURIDAD	LOCKING RING	1	1	1	1	1	1			
14	12103366	TAMBOR COMPLETO	COMPLETE DRUM	1								
14	12127888	TAMBOR COMPLETO	COMPLETE DRUM		1							
14	12103588	TAMBOR COMPLETO	COMPLETE DRUM			1						
14	12046812	TAMBOR COMPLETO	COMPLETE DRUM				1					
14	12103890	TAMBOR COMPLETO	COMPLETE DRUM					1				
14	12097365	TAMBOR COMPLETO	COMPLETE DRUM						1			
15	12114100	SENSOR MAGNETICO 12V	MAGNETIC SENSOR 12V	1	1	1	1	1	1			

ITEM	REFERENCIA REFERENCE	DENOMINACIÓN	DENOMINATION	LR-11 TP	LR-14 TP	LR-18 TP	LR-25 TP					RECOMMENDED	ELIMINADO ELIMINATED	INTRODUCIDO INTRODUCED
1	12049374	MOTOR 230V AC 3 50Hz 1,1KW	ENGINE 230V AC 3 50Hz 1,1KW		1							X		
1	12041186	MOTOR 230V AC 3 50Hz 1,5KW	ENGINE 230V AC 3 50Hz 1,5KW			1						X		
1	12047170	MOTOR 230V AC 3 50Hz 2,2KW	ENGINE 230V AC 3 50Hz 2,2KW				1					X		
2	12010172	JUNTA TOR. 43,01x37,77x2,62	O-RING 43,01x37,77x2,62	1										
2	12010067	JUNTA TOR. 60x3	O-RING 60x3		1	1								
2	12010054	JUNTA TOR.69x3	O-RING 69x3				1							
3	12049378	POLEA MOTOR	ENGINE PULLEY	1	1	1								
3	12121060	POLEA MOTOR	ENGINE PULLEY				1							
3A	12010264	VARILLA ROSCAD M6x10 DIN913	THREADED ROD M6x10 DIN913				2							
4	12047601	CASQUILLO EJE	AXIS BUSHING	1										
4	12041183	CASQUILLO EJE	AXIS BUSHING		1									
4	12046821	CASQUILLO EJE	AXIS BUSHING			1								
4	12046262	CASQUILLO EJE	AXIS BUSHING				1							
5	12048790	POLEA TAMBOR	DRUM PULLEY	1	1									
5	12041189	POLEA TAMBOR	DRUM PULLEY			1	1							
6	12049376	CORREA POLY-V 8PJ1752	BELT POLY-V 8PJ1752	1	1							X		
6	12041190	CORREA POLY-V 8PJ1895	BELT POLY-V 8PJ1895			1						X		
6	12047172	CORREA POLY-V 12PJ1956	BELT POLY-V 12PJ1956				1					X		
7	12091726	CASQUILLO TAPER LOCK 1108x19	TAPER LOCK BUSHING 1108x19	1										
7	12091448	CASQUILLO TAPER LOCK 1108x24	TAPER LOCK BUSHING 1108x24		1	1								
8	12025038	REten V-RING VA-80 VITON	V-RING RETAINER VA-80 VITON	1										
8	12024987	REten V-RING VA-85 VITON	V-RING RETAINER VA-85 VITON		1									
8	12024988	REten V-RING VA-95 VITON	V-RING RETAINER VA-95 VITON			1								
8	12046264	REten VA-110 VITON	V-RING RETAINER VA-110 VITON				1							
9	12025226	REten V-RING 65 NBR	V-RING RETAINER 65A NBR	1	1									
9	12025220	REten V-RING VA-75 NBR	V-RING RETAINER VA-75 NBR			1								
9	12046263	REten VA-85 NBR	V-RING RETAINER VA-85 NBR				1							
10	12094052	ARANDELA POLEA MOTOR	ENGINE PULLEY WASHER	1										
10	12049398	ARANDELA POLEA MOTOR	ENGINE PULLEY WASHER		1	1								
10	12103750	ARANDELA POLEA MOTOR	ENGINE PULLEY WASHER				1							
11	12043164	CHAVETA 10x8x30 DIN6885 TIPO A	COTTER PIN 10x8x30 DIN6885 A	1										
11	12025213	CHAVETA TIPO A 14x9x50 DIN 6885	COTTER PIN 14x9x50 DIN 6885 A		1	1	1							
12	12021832	ARANDELA POLEA 13,18	PULLEY WASHER 13, 18	1	1	1	1							
13	12009896	ARANDELA SEGURIDAD 13	LOCKING RING 13	1	1	1	1							
14	12127620	TAMBOR COMPLETO	COMPLETE DRUM	1										
14	12125164	TAMBOR COMPLETO	COMPLETE DRUM		1									
14	12120326	TAMBOR COMPLETO	COMPLETE DRUM			1								
14	12119614	TAMBOR COMPLETO	COMPLETE DRUM				1							
15	12114100	SENSOR MAGNITICO 12V	MAGNETIC SENSOR 12V	1	1	1	1							



Drawing Nr.	Signature	Date	CUBETERA / TRAY	Sheet
	Iban R.	sep-15	LN_LR-11 TP	7



Drawing Nr.	Signature	Date	CUBETERA / TRAY	Sheet
	Iban R.	sep-15	LN_LR-14-18-25-35-60 TP	8

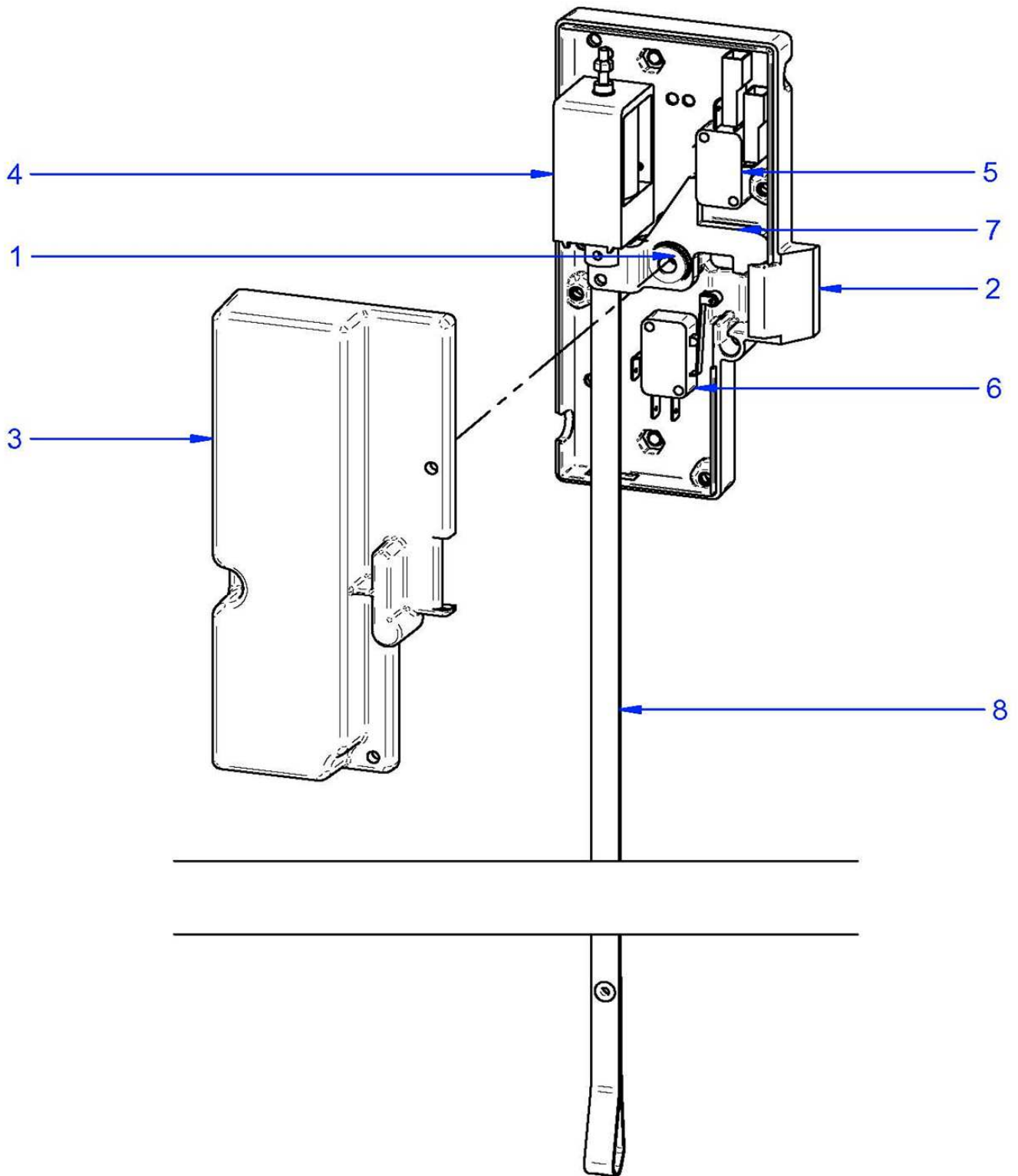


CUBETERA / TRAY

LAMINA /
DRAWING

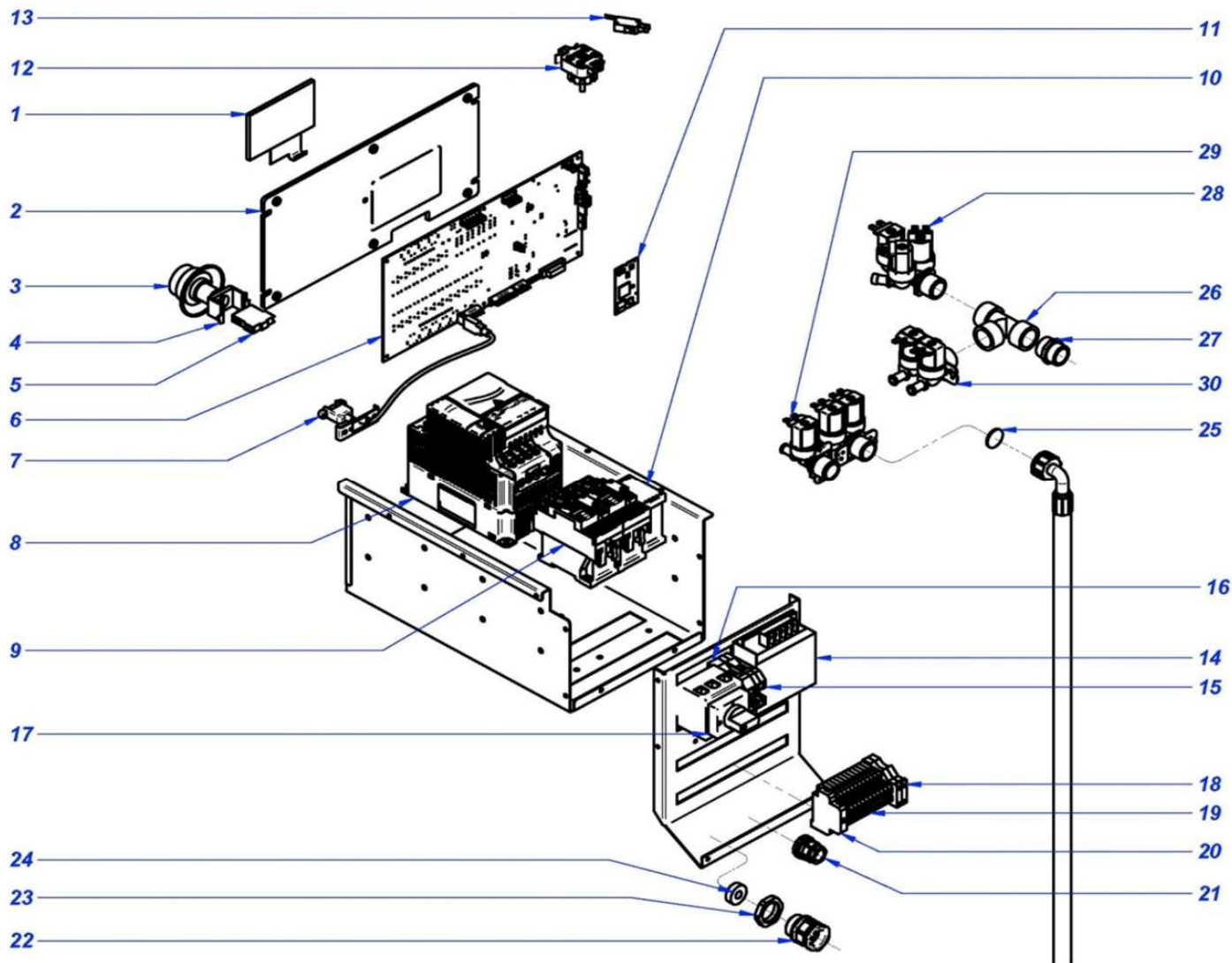


ITEM	REFERENCIA REFERENCE	DENOMINACIÓN	DENOMINATION	LN/LR-11 TP	LN/LR-14 TP	LN/LR-18 TP	LN/LR-25 TP	LN-35 TP	LN-60 TP	RECOMMENDED	ELIMINADO ELIMINATED	INTRODUCIDO INTRODUCED
1	12044165	CONDUCTO DESAGÜE CUBA	TUB DRAINAGE PIPE	1	1	1						
1	12025016	CONDUCTO DESAGÜE CUBA	TUB DRAINAGE PIPE				1					
1	12007746	CONDUCTO DESAGÜE CUBA	TUB DRAINAGE PIPE					1	1			
2	12046868	SALIDA DESAGÜE 3"	DRAINAGE OUTPUT 3"	1	1	1	1	1	1			
3	12024404	VALVULA VACIADO	DRAINAGE VALVE	1	1	1	1	1	1	X		
4	12091784	CONDUCTO VALVULA-SALIDA	DRAIN VALVE-OUTPUT PIPE	1								
4	12046143	CONDUCTO VALVULA-SALIDA	DRAIN VALVE-OUTPUT PIPE		1							
4	12046139	CONDUCTO VALVULA-SALIDA	DRAIN VALVE-OUTPUT PIPE			1						
4	12046140	CONDUCTO VALVULA-SALIDA	DRAIN VALVE-OUTPUT PIPE				1	1	1			
5	12121485	CAPUCHON CON ROSCA SR1126	THREADED CAP SR1126	1	1	1	1	1	1			
6	12023263	CONDUCTO COLECTOR-CUBA	COLLECTOR BOX-TUP PIPE	1	1							
6	12025016	CONDUCTO COLECTOR-CUBA	COLLECTOR BOX-TUP PIPE			1						
6	12025017	CONDUCTO COLECTOR-CUBA	COLLECTOR BOX-TUP PIPE				1	1	1			
7	12091758	COND. REBOSADERO CUBETERA	TRAY OVERFLOW PIPE	1								
7	12007856	COND. REBOSADERO CUBETERA	TRAY OVERFLOW PIPE		1	1						
7	12007825	COND. REBOSADERO CUBETERA	TRAY OVERFLOW PIPE				1					
7	12007811	COND. REBOSADERO CUBETERA	TRAY OVERFLOW PIPE					1				
7	12115345	COND. REBOSADERO CUBETERA	TRAY OVERFLOW PIPE						1			
8	12091756	CONDUCTO CUBETERA	TRAY PIPE	1								
8	12007772	CONDUCTO CUBETERA	TRAY PIPE		1	1						
8	12007763	CONDUCTO CUBETERA	TRAY PIPE				1					
8	12007756	CONDUCTO CUBETERA	TRAY PIPE					1				
8	12115344	CONDUCTO CUBETERA	TRAY PIPE						1			
9	12024115	MANGUERA ENTRADA AGUA	WATER INLET PIPE	1	1	1	1	1	1			
10	12023265	CONDUCTO REBOSADERO CUBA	TUB OVERFLOW PIPE	1	1							
10	12023271	CONDUCTO REBOSADERO CUBA	TUB OVERFLOW PIPE			1						
10	12024866	CONDUCTO REBOSADERO CUBA	TUB OVERFLOW PIPE				1	1	1			
11	12025026	CONDUCTO DESAGÜE	DRAINAGE PIPE	1	1	1	1	1	1			
12	12007821	MANGUERA SALIDA VAPOR	STEAM OUTPUT HOSE	1	1	1	1	1	1			
13	12010034	TAPON CAJA COLECTOR 8	COLLECTOR BOX PLUG 8	3	3	3	3	3	3			
14	12010013	TAPON CAJA COLECTOR 16	COLLECTOR BOX PLUG 16	1	1	1	1	1	1			
15	12008049	JUNTA TAPA CAJA COLECTOR	COLLECTOR BOX COVER SEAL	1	1	1	1	1	1			
16	12129972	CAJA COLECTOR COMPLETA	COMPLETE COLLECTOR BOX	1	1	1	1	1	1			
17	12007752	CUBETA DE DETERGENTES	DETERGENTS TRAY	1	1	1	1	1	1			
17A	12010483	EJE TAPAS CUBETA	TRAY COVERS AXIS	2	2	2	2	2	2			
17B	12010403	TAPA 1	COVER 1	1	1	1	1	1	1			
17C	12000747	TAPA 2	COVER 2	1	1	1	1	1	1			
17D	12010088	TAPON CUBETA DETERGENTES	DETERGENT TRAY CAP	2	2	2	2	2	2			
18	12120434	TUBO SALIDA VAPOR	STEAM OUTPUT TUBE	1								
18	12128218	TAPON CUBA 1" G	TUB CAP 1" G		1	1	1	1	1			



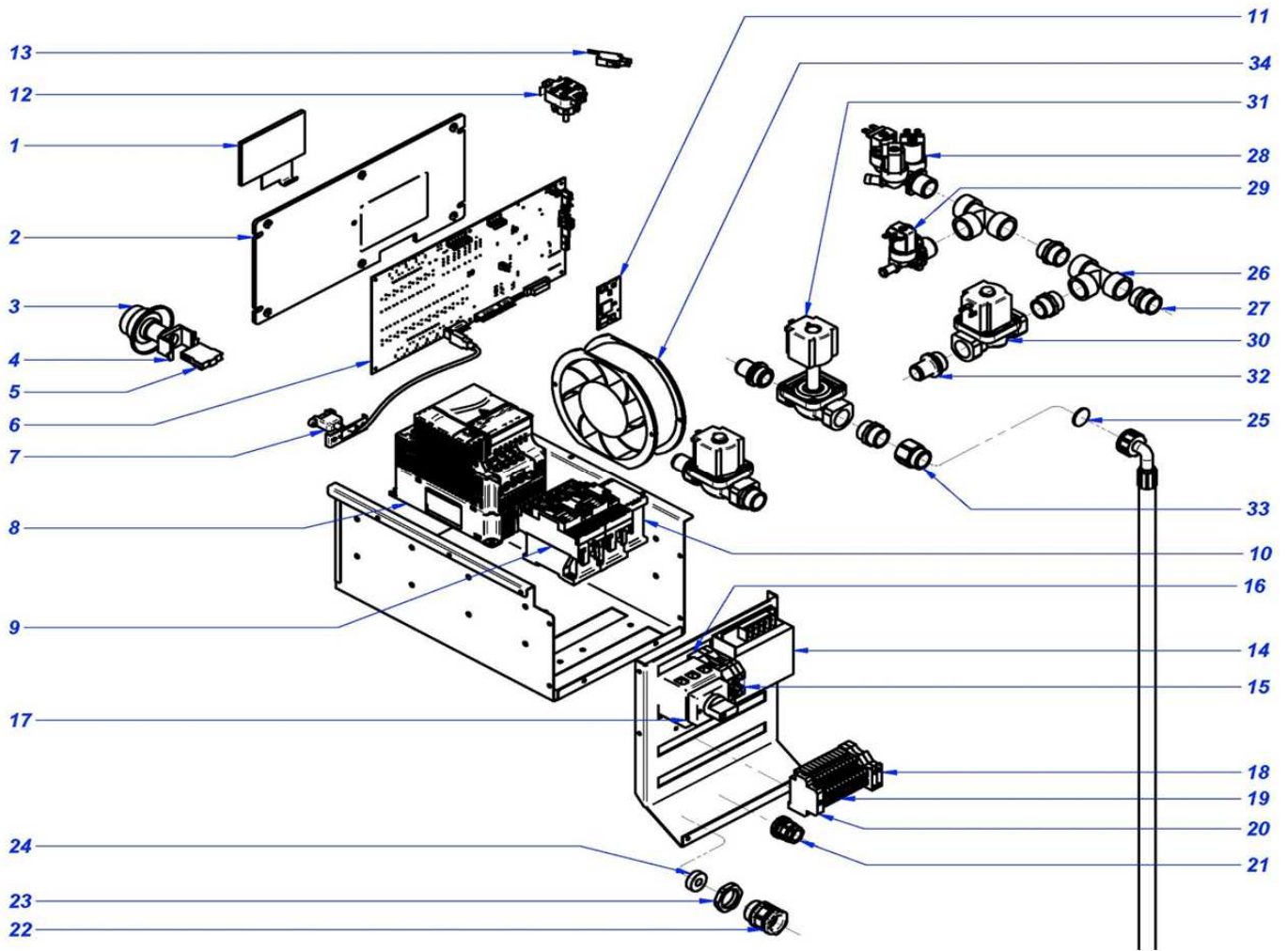
Drawing Nr.	Signature	Date	CIERRE / LOCK	Sheet
	Iban R.	sep-15	LN_LR-11-14-18-25-35-60 TP	9

ITEM	REFERENCIA REFERENCE	DENOMINACIÓN	DENOMINATION	LAMINA / DRAWING						RECOMENDEDO	ELIMINADO ELIMINATED	INTRODUCIDO INTRODUCED
				LN/LR-11 TP	LN/LR-14 TP	LN/LR-18 TP	LN/LR-25 TP	LN-35 TP	LN-60 TP			
	12119770	CIERRE COMPLETO 2015	COMPLETE LOCK 2015	1	1	1	1	1	1			
1	12119718	SELFOIL 6x10x10 VALONA	SELFOIL 6x10x10 VALONA	1	1	1	1	1	1			
2	12118270	BASE CIERRE 2015	LOCK BASE 2015	1	1	1	1	1	1			
3	12118278	TAPA CIERRE 2015	LOCK COVER 2015	1	1	1	1	1	1			
4	12119697	ELECTROIMAN ERB35 (NAFSA)	ELECTROMAGNET ERB35	1	1	1	1	1	1			
5	12025193	INTERRUPTOR PUERTA	DOOR SWITCH	1	1	1	1	1	1			
6	12119927	INTERRUPTOR BLOQUEO (V-16-1C5)	BLOCKING SWITCH (V-16-1C5)	1	1	1	1	1	1			
7	12118307	BLOQUEO CIERRE 2015	LOCK BLOCKING 2015	1	1	1	1	1	1			
8	12023332	TIRADOR PUERTA	DOOR PULL	1	1	1	1	1	1			



Drawing Nr.	Signature	Date	CUADRO ELECTRICO / ELECTRIC BOARD	Sheet
	Iban R.	dic-15	LAVADORAS LN-11-14-18 TP	12

ITEM	REFERENCIA REFERENCE	DENOMINACIÓN	DENOMINATION	LN-11 TP	LN-14 TP	LN-18 TP	LR-11 TP	LR-14 TP	LR-18 TP	RECOMMENDED	ELIMINADO ELIMINATED	INTRODUCIDO INTRODUCED
1	12119488	DISPLAY TOUCH PLUS	DISPLAY TOUCH PLUS	1	1	1	1	1	1	X		
2	12116834	SOPORTE MAIN BOARD	SOPORTE MAIN BOARD SUPPORT	1	1	1	1	1	1			
3	12120235	SETA DE EMERGENCIA	EMERGENCY STOP BUTTON	1	1	1	1	1	1	X		
4	12120238	SOPORTE SETA EMERGENCIA	EMERGENCY STOP SUPPORT	1	1	1	1	1	1	X		
5	12120237	PULSAD. 250V AC 16A 1VIA 2POS UL	250V AC 16A 1WAY 2POS UL SWITCH	1	1	1	1	1	1	X		
6	12120815	TARJETA PRINCIPAL TP (LIGHT)	MAIN BOARD TP (LIGHT)	1	1	1	1	1	1	X		
7	12133373	CABLE USB MACHO-HEMBRA	USB WIRE MALE-FEMALE	1	1	1	1	1	1	X		
8	12134049	VARIADOR DELTA PROGRAMADO	PROGRAMMED DELTA INVERTER	1						X		
8	12134050	VARIADOR DELTA PROGRAMADO	PROGRAMMED DELTA INVERTER		1					X		
8	12134051	VARIADOR DELTA PROGRAMADO	PROGRAMMED DELTA INVERTER			1				X		
8	12133739	VARIADOR DELTA PROGRAMADO	PROGRAMMED DELTA INVERTER				1			X		
8	12133740	VARIADOR DELTA PROGRAMADO	PROGRAMMED DELTA INVERTER					1		X		
8	12133741	VARIADOR DELTA PROGRAMADO	PROGRAMMED DELTA INVERTER						1	X		
9	12111795	CONTACTOR 230V AC 20A 4via UL	230V AC 20A 4via UL CONTACTOR	2	2	2	2	2	2	X		
10	12024011	CONTACTOR 230V AC 16A 4via UL	230V AC 16A 4via UL CONTACTOR	1	1	1	1	1	1	X		
11	12131303	MODULO PROCESADOR GRABADO	RECORDED PROCESSOR MODULE	1	1	1	1	1	1	X		
12	12128262	SENSOR DE PRESION 50mbar	50mbar PRESSURE SENSOR	1	1	1	1	1	1	X		
13	12024696	MICRORRUPTOR PUERTA	DOOR MICROSWITCH	1	1	1	1	1	1			
14	12116823	TRANSFORMADOR 1N 50W 240V/12V	1N 50W 240V/12V UL TRANSFORMER	1	1	1	1	1	1	X		
15	12024515	BORNA TIERRA 35MM	GROUND CONNECTOR 35MM	1	1	1	1	1	1			
16	12025143	BORNA NEUTRA AZUL 35MM2 1via UL	BLUE NEUTRAL CONNECTOR 35MM2	1	1	1	1	1	1			
17	12024628	INTERRUP. 63A 3VIA 2POS SECCI UL	63A 3WAY 2POS ISOLATOR SWITCH	1	1	1	1	1	1	X		
18	12025158	BORNA PORTAFUSIBLE 6,3A 1 VIA	FUSE HOLDER CONNECTOR 6,3A	2	2	2	2	2	2			
19	12025180	REGLETA 2 PISOS 24A 2,50MM2 UL	24A 2,5MM2 UL TERMINAL BLOCK	12	12	12	12	12	12			
20	12024199	TOPE FINAL	END STOP	1	1	1	1	1	1			
21	12009966	PRENSA ESTOPA DOSIFICACION	DISPENSER STUFFING BOX	1	1	1	1	1	1			
22	12009927	PRENSA ESTOPA PG-21	STUFFING BOX PG-21	1	1	1	1	1	1			
23	12009764	TUERCA ROSCA Pg 21	SCREW THREAD Pg 21	1	1	1	1	1	1			
24	12009994	JUNTA GOMA (GAES)	RUBBER SEAL	1	1	1	1	1	1			
25	12025278	FILTRO DE JUNTA N-3	JOINT FILTER N-3	2	2	2	2	2	2			
26	12024996	Te A 90° 3/4	T at 90° 3/4	1	1	1	1	1	1			
27	12024396	MANGUITO 3/4"	3/4" CONNECTION	1	1	1	1	1	1			
28	12023921	ELECTROVALVULA 3 VIAS	3 WAY SOLENOID VALVE	1	1	1	1	1	1	X		
29	12025161	ELECTROVALVULA SIMPLE	SIMPLE SOLENOID VALVE	1	1	1	1	1	1	X		
30	12023794	ELECTROVALVULA 2 VIAS	2 WAY SOLENOID VALVE	2	2	2	2	2	2	X		



Drawing Nr.	Signature	Date	CUADRO ELECTRICO / ELECTRIC BOARD	Sheet
	Iban R.	jul-16	LAVADORAS LN-25-35-60 TP	12

ITEM	REFERENCIA REFERENCE	DENOMINACIÓN	DENOMINATION	LN-25 TP	LN-35 TP	LN-60 TP	LR-25 TP				RECOMMENDED	ELIMINADO ELIMINATED	INTRODUCIDO INTRODUCED
1	12119488	DISPLAY TOUCH PLUS	DISPLAY TOUCH PLUS	1	1	1	1				X		
2	12116834	SOPORTE MAIN BOARD	SOPORTE MAIN BOARD SUPPORT	1	1	1	1						
3	12120235	SETA DE EMERGENCIA	EMERGENCY STOP BUTTON	1	1	1	1				X		
4	12120238	SOPORTE SETA EMERGENCIA	EMERGENCY STOP SUPPORT	1	1	1	1				X		
5	12120237	PULSAD. 250V AC 16A 1VIA 2POS UL	250V AC 16A 1WAY 2POS UL SWITCH	1	1	1	1				X		
6	12120815	TARJETA PRINCIPAL TP (LIGHT)	MAIN BOARD TP (LIGHT)	1	1	1	1				X		
7	12133373	CABLE USB MACHO-HEMBRA	USB WIRE MALE-FEMALE	1	1	1	1				X		
8	12134052	VARIADOR DELTA PROGRAMADO	PROGRAMMED DELTA INVERTER	1							X		
8	12131878	VARIADOR DELTA PROGRAMADO	PROGRAMMED DELTA INVERTER		1						X		
8	12134054	VARIADOR DELTA PROGR (460V)	PROGR. DELTA INVERTER (460V)			1					X		
8	12134055	VARIADOR DELTA PROGR (230V)	PROGR. DELTA INVERTER (230V)			1					X		
8	12133742	VARIADOR DELTA PROGRAMADO	PROGRAMMED DELTA INVERTER				1				X		
9	12041014	CONTACTOR 230V AC 40A 4vía UL	230V AC 40A 4vía UL CONTACTOR	2	2	2	2				X		
10	12024011	CONTACTOR 230V AC 16A 4vía UL	230V AC 16A 4vía UL CONTACTOR	1	1	1	1				X		
11	12131303	MODULO PROCESADOR GRABADO	RECORDED PROCESSOR MODULE	1	1	1	1				X		
12	12128262	SENSOR DE PRESION 50mbar	50mbar PRESSURE SENSOR	1	1		1				X		
12	12128263	SENSOR DE PRESION 100mbar	100mbar PRESSURE SENSOR			1					X		
13	12024696	MICRORRUPTOR PUERTA	DOOR MICROSWITCH	1	1	1	1						
14	12116823	TRANSFORMADOR 1N 50W 240V/12V	1N 50W 240V/12V UL TRANSFORMER	1	1	1	1				X		
15	12024515	BORNA TIERRA 35MM	GROUND CONNECTOR 35MM	1	1	1	1						
16	12025143	BORNA NEUTRA AZUL 35MM2 1vía UL	BLUE NEUTRAL CONNECTOR 35MM2	1	1	1	1						
17	12024628	INTERRUP. 63A 3VIA 2POS SECCI UL	63A 3WAY 2POS ISOLATOR SWITCH	1	1	1	1				X		
18	12025158	BORNA PORTAFUSIBLE 6,3A 1 VIA	FUSE HOLDER CONNECTOR 6,3A	2	2	2	2						
19	12025180	REGLETA 2 PISOS 24A 2,50MM2 UL	24A 2,5MM2 UL TERMINAL BLOCK	12	12	12	12						
20	12024199	TOPE FINAL	END STOP	1	1	1	1						
21	12009966	PRENSA ESTOPA DOSIFICACION	DISPENSER STUFFING BOX	1	1	1	1						
22	12009927	PRENSA ESTOPA PG-21	STUFFING BOX PG-21	1	1	1	1						
23	12009764	TUERCA ROSCA Pg 21	SCREW THREAD Pg 21	1	1	1	1						
24	12009994	JUNTA GOMA (GAES)	RUBBER SEAL	1	1	1	1						
25	12025278	FILTRO DE JUNTA N-3	JOINT FILTER N-3	2	2	2	2						
26	12024996	Te A 90° 3/4	T at 90° 3/4	2	2	2	2						
27	12024396	MANGUITO 3/4"	3/4" CONNECTION	5	5	5	5						
28	12023921	ELECTROVALVULA 3 VIAS	3 WAY SOLENOID VALVE	1	1	1	1				X		
29	12025161	ELECTROVALVULA SIMPLE	SIMPLE SOLENOID VALVE	1	1	1	1				X		
30	12023551	ELECTROVALVULA SIMPLE	SIMPLE SOLENOID VALVE	3	3	3	3				X		
31	12024622	BOBINADO EV SIMPLE	SIMPLE SOLENOID VALVE COIL	3	3	3	3				X		
32	12024526	EMPALME	FITTING	3	3	3	3						
33	12025062	RACOR PORTA FILTRO 3/4	RACOR FILTER HOLDER 3/4	1	1	1	1						
34	12024106	VENTILADOR 230V AC 1N 36KW	FAN 230V AC 1N 36KW			1					X		

ITEM	REFERENCIA REFERENCE	DENOMINACIÓN	DENOMINATION	LN/LR-11 TP	LN/LR-14 TP	LN/LR-18 TP	LN/LR-25 TP	LN-35 TP	LN-60 TP	RECOMMENDED	ELIMINADO ELIMINATED	INTRODUCIDO INTRODUCED
	12120261	INSTAL. ELECTRICA 10, 13, 18, 25 UL	ELECT. INSTALLATION 10, 13, 18, 25	1	1	1	1	1				
	12120257	INSTAL. ELECTRICA 35A, 60B UL	ELECT. INSTALLATION 35A, 60B UL						1			
	12121936	CABL. CALENTAMIENTO AF 10, 13 UL	HEATING WIRING AF 10, 13 UL	1	1							
	12121907	CABL. CALENTAMIENTO AF 18 KG UL	HEATING WIRING AF 18 KG UL			1						
	12121901	CABL. CALENTAMIENTO AF 25 KG UL	HEATING WIRING AF 25 KG UL				1					
	12121893	CABL. CALENTAMIENTO AF 35KG UL	HEATING WIRING AF 35 KG UL					1				
	12120269	CABLEADO RESISTENCIAS 60 B UL	HEATING WIRING AF 60 KG UL						1			
	12120274	CABLEADO PTC+R UL	PTC+R UL WIRING	1	1	1	1	1	1	X		
	12120263	CABLEADO VALVULA VACIADO UL	UL DRAIN VALVE WIRING	1	1	1	1	1	1			
	12121981	CABLEADO PUERTA UL	UL DOOR WIRING	1	1	1	1	1	1			
	12103432	CABL. CONECTOR MOTOR BAJAS	LOW SPEED ENGINE CONN. WIR.	1	1	1						
	12103432	CABL. CONECTOR MOTOR BAJAS	LOW SPEED ENGINE CONN. WIR.				1	1				
	12120265	CABL. CONECTOR MOTOR BAJAS	LOW SPEED ENGINE CONN. WIR.						1			
	12025067	CABLEADO ELECTR.VALV.VAPOR	STEAM VALVE ELETRIC WIRING	1	1	1	1	1	1		S MODELS	
	12043762	CABLEADO TIERRA EV UL	ELECTROVALVES GROUND WIRING					1				
	12136070	CABLEADO E.V. LAV 35 B UL	ELECTROVALVES WIRING 35					1				

RECOMENDADOS / RECOMMENDED

LAMINA /
DRAWING



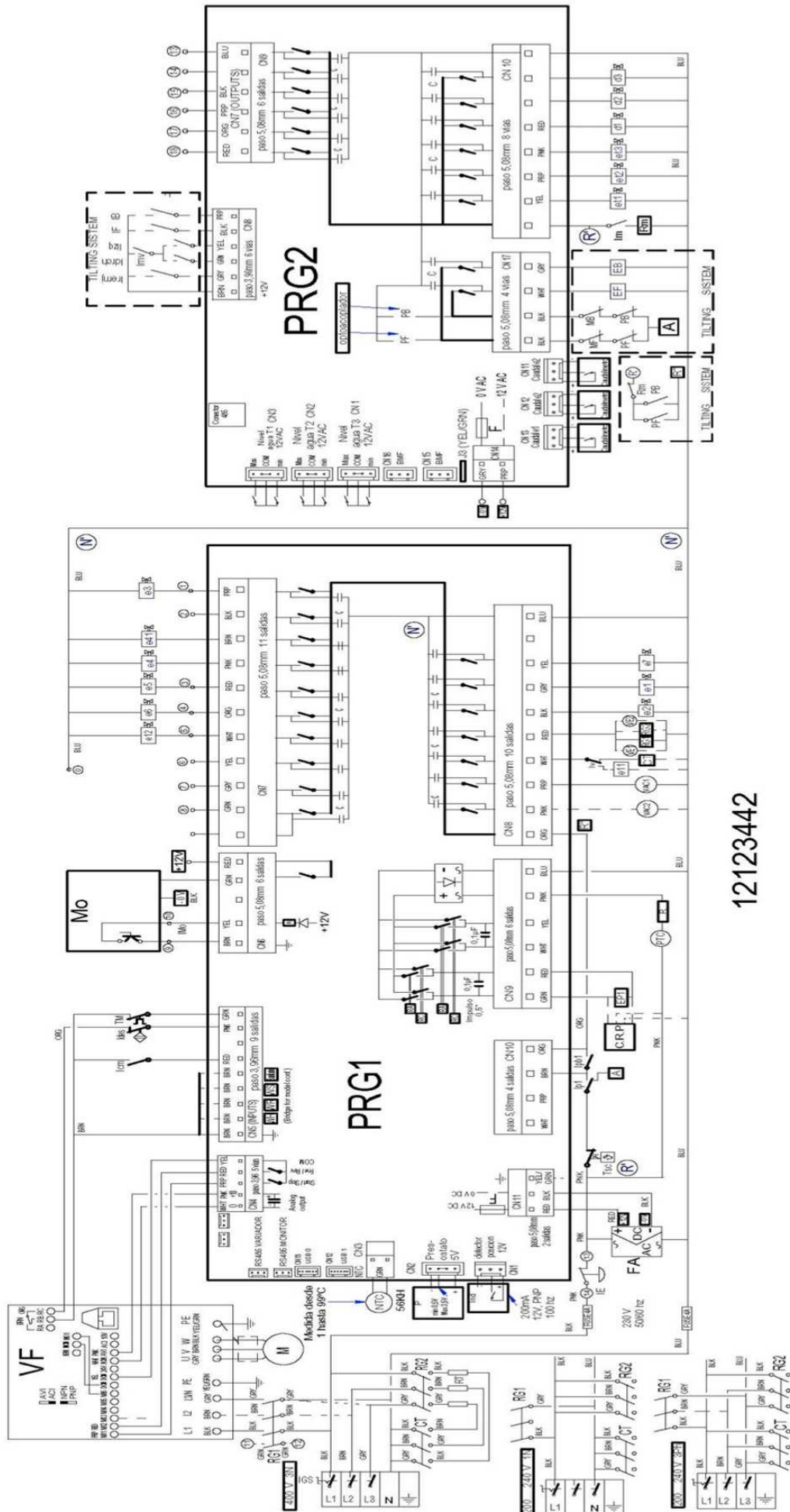
ITEM	REFERENCIA REFERENCE	DENOMINACIÓN	DENOMINATION	LAMINA / DRAWING						CONJUNTO FUNCIONAL / FUNCTIONAL PART	
				LN-11 TP	LN-14 TP	LN-18 TP	LN-25 TP	LN-35 TP	LN-60 TP		
10	12113512	ADHESIVO FAGOR TP	FAGOR TP ADHESIVE	1	1	1	1	1	1	MUEBLE / CABINET	
11	12113854	ADHESIVO ON/OFF FAGOR	FAGOR ON/OFF ADHESIVE	1	1	1	1	1	1	MUEBLE / CABINET	
12	12096597	LIMITADOR DE SEGURIDAD	SAFETY THERMOSTAT	1	1	1	1	1	1	CUBA / TUB	
8	12096226	RESISTENCIA 2000W 264MM	RESISTANCE 2000W 264MM	3						CUBA / TUB	
8	12096023	RESISTENCIA 3000W 277MM	RESISTANCE 3000W 277MM		3					CUBA / TUB	
8	12096051	RESISTENCIA 4000W 347MM	RESISTANCE 4000W 347MM			3				CUBA / TUB	
8	12041359	VALVULA VAPOR 1/2 50/60HZ	STEAM VALVE 1/2 50/60MM				3			CUBA / TUB	
8	12092855	RESISTENCIA 7.000W 562MM	RESISTANCE 7.000W 562MM					3		CUBA / TUB	
8	12024721	RESISTENCIA 220-240 V	RESISTANCE 220-240 V						3	CUBA / TUB	
10	12025036	CONJUNTO SONDA 64KOhmio NTC	PROBE 64KOhm NTC	1	1	1	1	1	1	CUBA / TUB	
29	12023340	VALVULA VAPOR 1/2 50/60HZ	STEAM VALVE 1/2 50/60HZ	1	1	1	1			CUBA / TUB	
29	12024331	VALVULA VAPOR 3/4" 60HZ.	STEAM VALVE 3/4 60HZ					1	1	CUBA / TUB	
7	12023284	JUNTA PUERTA	DOOR SEAL	1	1	1	1			FR. CUBA / TUB FRONT	
7	12048069	JUNTA PUERTA	DOOR SEAL					1	1	FR. CUBA / TUB FRONT	
16	12119770	CIERRE COMPLETO 2015	COMPLETE LOCK 2015	1	1	1	1	1	1	FR. CUBA / TUB FRONT	
1	12047485	MOTOR 230V AC 3 50Hz 0,75KW	ENGINE 230V AC 3 50Hz 0,75KW	1						TAMBOR / DRUM	
1	12049374	MOTOR 230V AC 3 50Hz 1,1KW	ENGINE 230V AC 3 50Hz 1,1KW		1					TAMBOR / DRUM	
1	12041186	MOTOR 230V AC 3 50Hz 1,5KW	ENGINE 230V AC 3 50Hz 1,5KW			1				TAMBOR / DRUM	
1	12047170	MOTOR 230V AC 3 50Hz 2,2KW	ENGINE 230V AC 3 50Hz 2,2KW				1			TAMBOR / DRUM	
1	12046367	MOTOR 230V AC 3 50Hz 3KW	ENGINE 230V AC 3 50Hz 3KW					1		TAMBOR / DRUM	
1	12120185	MOTOR 5,5KW ARCELIK	ARCELIK 5,5KW ENGINE						1	TAMBOR / DRUM	
6	12049376	CORREA POLY-V 8PJ1752	BELT POLY-V 8PJ1752	1	1					TAMBOR / DRUM	
6	12041190	CORREA POLY-V 8PJ1895	BELT POLY-V 8PJ1895			1				TAMBOR / DRUM	
6	12047172	CORREA POLY-V 12PJ1956	BELT POLY-V 12PJ1956				1			TAMBOR / DRUM	
6	12046375	CORREA POLY-V 12PJ1992	BELT POLY-V 12PJ1992					1		TAMBOR / DRUM	
6	12098498	CORREA POLY V PK 2680	BELT POLY-V PK 2680						1	TAMBOR / DRUM	
3	12024404	VALVULA VACIADO	DRAINAGE VALVE	1	1	1	1	1	1	CUBETERA / TRAY	
1	12119488	DISPLAY TOUCH PLUS	DISPLAY TOUCH PLUS	1	1	1	1	1	1	ELECTRICO / ELECTRIC	
6	12120815	TARJETA PRINCIPAL TP (LIGHT)	MAIN BOARD TP (LIGHT)	1	1	1	1	1	1	ELECTRICO / ELECTRIC	
8	12134049	VARIADOR DELTA PROGRAMADO	PROGRAMMED DELTA INVERTER	1						ELECTRICO / ELECTRIC	
8	12134050	VARIADOR DELTA PROGRAMADO	PROGRAMMED DELTA INVERTER		1					ELECTRICO / ELECTRIC	
8	12134051	VARIADOR DELTA PROGRAMADO	PROGRAMMED DELTA INVERTER			1				ELECTRICO / ELECTRIC	
8	12134052	VARIADOR DELTA PROGRAMADO	PROGRAMMED DELTA INVERTER				1			ELECTRICO / ELECTRIC	
8	12131878	VARIADOR DELTA PROGRAMADO	PROGRAMMED DELTA INVERTER					1		ELECTRICO / ELECTRIC	
8	12134054	VARIADOR DELTA PROGR (460V)	PROGR. DELTA INVERTER (460V)						1	ELECTRICO / ELECTRIC	
8	12134055	VARIADOR DELTA PROGR (230V)	PROGR. DELTA INVERTER (230V)						1	ELECTRICO / ELECTRIC	
9	12111795	CONTACTOR 230V AC 20A 4via UL	230V AC 20A 4via UL CONTACTOR	2	2	2				ELECTRICO / ELECTRIC	
9	12041014	CONTACTOR 230V AC 40A 4via UL	230V AC 40A 4via UL CONTACTOR				2	2	2	ELECTRICO / ELECTRIC	
10	12024011	CONTACTOR 230V AC 16A 4via UL	230V AC 16A 4via UL CONTACTOR	1	1	1	1	1	1	ELECTRICO / ELECTRIC	
11	12131303	MODULO PROCESADOR GRABADO	RECORDED PROCESSOR MODULE	1	1	1	1	1	1	ELECTRICO / ELECTRIC	
12	12128262	SENSOR DE PRESION 50mbar	50mbar PRESSURE SENSOR	1	1	1	1	1		ELECTRICO / ELECTRIC	
12	12128263	SENSOR DE PRESION 100mbar	100mbar PRESSURE SENSOR						1	ELECTRICO / ELECTRIC	
13	12024696	MICRORRUPTOR PUERTA	DOOR MICROSWITCH	1	1	1	1	1	1	ELECTRICO / ELECTRIC	
14	12116823	TRANSFORMADOR 1N 50W 240V/12V	1N 50W 240V/12V UL TRANSFORMER	1	1	1	1	1	1	ELECTRICO / ELECTRIC	
17	12024628	INTERRUP. 63A 3VIA 2POS SECCI UL	63A 3WAY 2POS ISOLATOR SWITCH	1	1	1	1	1	1	ELECTRICO / ELECTRIC	
28	12023921	ELECTROVALVULA 3 VIAS	3 WAY SOLENOID VALVE	1	1	1	1	1	1	ELECTRICO / ELECTRIC	
29	12025161	ELECTROVALVULA SIMPLE	SIMPLE SOLENOID VALVE	1	1	1	1	1	1	ELECTRICO / ELECTRIC	
30	12023794	ELECTROVALVULA 2 VIAS	2 WAY SOLENOID VALVE	2	2	2				ELECTRICO / ELECTRIC	
30	12023551	ELECTROVALVULA SIMPLE	SIMPLE SOLENOID VALVE					3	3	3	ELECTRICO / ELECTRIC
31	12024622	BOBINADO EV SIMPLE	SIMPLE SOLENOID VALVE COIL					3	3	3	ELECTRICO / ELECTRIC
34	12024106	VENTILADOR 230V AC 1N 36KW	FAN 230V AC 1N 36KW							1	ELECTRICO / ELECTRIC
	12120274	CABLEADO PTC+R UL	PTC+R UL WIRING	1	1	1	1	1	1		VARIOS / VARIOUS

RECOMENDADOS / RECOMMENDED

LAMINA / DRAWING



ITEM	REFERENCIA REFERENCE	DENOMINACIÓN	DENOMINATION	LR-11 TP	LR-14 TP	LR-18 TP	LR-25 TP					CONJUNTO FUNCIONAL / FUNCTIONAL PART
10	12113512	ADHESIVO FAGOR TP	FAGOR TP ADHESIVE	1	1	1	1					MUEBLE / CABINET
11	12113854	ADHESIVO ON/OFF FAGOR	FAGOR ON/OFF ADHESIVE	1	1	1	1					MUEBLE / CABINET
12	12096597	LIMITADOR DE SEGURIDAD	SAFETY THERMOSTAT	1	1	1	1					CUBA / TUB
8	12096226	RESISTENCIA 2000W 264MM	RESISTANCE 2000W 264MM	3								CUBA / TUB
8	12096023	RESISTENCIA 3000W 277MM	RESISTANCE 3000W 277MM		3							CUBA / TUB
8	12096051	RESISTENCIA 4000W 347MM	RESISTANCE 4000W 347MM			3						CUBA / TUB
8	12041359	RESISTENCIA 6.000W 509MM	RESISTANCE 6.000W 509MM				3					CUBA / TUB
10	12025036	CONJUNTO Sonda 64KOhmio NTC	PROBE 64KOhm NTC	1	1	1	1					CUBA / TUB
29	12023340	VALVULA VAPOR 1/2 50/60HZ	STEAM VALVE 1/2 50/60HZ	1	1	1	1					CUBA / TUB
7	12023284	JUNTA PUERTA	DOOR SEAL	1	1	1	1					FR. CUBA / TUB FRONT
16	12119770	CIERRE COMPLETO 2015	COMPLETE LOCK 2015	1	1	1	1					FR. CUBA / TUB FRONT
1	12047485	MOTOR 230V AC 3 50Hz 0,75KW	ENGINE 230V AC 3 50Hz 0,75KW	1								TAMBOR / DRUM
1	12049374	MOTOR 230V AC 3 50Hz 1,1KW	ENGINE 230V AC 3 50Hz 1,1KW		1							TAMBOR / DRUM
1	12041186	MOTOR 230V AC 3 50Hz 1,5KW	ENGINE 230V AC 3 50Hz 1,5KW			1						TAMBOR / DRUM
1	12047170	MOTOR 230V AC 3 50Hz 2,2KW	ENGINE 230V AC 3 50Hz 2,2KW				1					TAMBOR / DRUM
6	12049376	CORREA POLY-V 8PJ1752	BELT POLY-V 8PJ1752	1	1							TAMBOR / DRUM
6	12041190	CORREA POLY-V 8PJ1895	BELT POLY-V 8PJ1895			1						TAMBOR / DRUM
6	12047172	CORREA POLY-V 12PJ1956	BELT POLY-V 12PJ1956				1					TAMBOR / DRUM
3	12024404	VALVULA VACIADO	DRAINAGE VALVE	1	1	1	1					CUBETERA / TRAY
1	12119488	DISPLAY TOUCH PLUS	DISPLAY TOUCH PLUS	1	1	1	1					ELECTRICO / ELECTRIC
6	12120815	TARJETA PRINCIPAL TP (LIGHT)	MAIN BOARD TP (LIGHT)	1	1	1	1					ELECTRICO / ELECTRIC
8	12133739	VARIADOR DELTA PROGRAMADO	PROGRAMMED DELTA INVERTER	1								ELECTRICO / ELECTRIC
8	12133740	VARIADOR DELTA PROGRAMADO	PROGRAMMED DELTA INVERTER		1							ELECTRICO / ELECTRIC
8	12133741	VARIADOR DELTA PROGRAMADO	PROGRAMMED DELTA INVERTER			1						ELECTRICO / ELECTRIC
8	12133742	VARIADOR DELTA PROGRAMADO	PROGRAMMED DELTA INVERTER				1					ELECTRICO / ELECTRIC
9	12111795	CONTACTOR 230V AC 20A 4via UL	230V AC 20A 4via UL CONTACTOR	2	2	2						ELECTRICO / ELECTRIC
9	12041014	CONTACTOR 230V AC 40A 4via UL	230V AC 40A 4via UL CONTACTOR				2					ELECTRICO / ELECTRIC
10	12024011	CONTACTOR 230V AC 16A 4via UL	230V AC 16A 4via UL CONTACTOR	1	1	1	1					ELECTRICO / ELECTRIC
11	12131303	MODULO PROCESADOR GRABADO	RECORDED PROCESSOR MODULE	1	1	1	1					ELECTRICO / ELECTRIC
12	12128262	SENSOR DE PRESION 50mbar	50mbar PRESSURE SENSOR	1	1	1	1					ELECTRICO / ELECTRIC
13	12024696	MICRORRUPTOR PUERTA	DOOR MICROSWITCH	1	1	1	1					ELECTRICO / ELECTRIC
14	12116823	TRANSFORMADOR 1N 50W 240V/12V	1N 50W 240V/12V UL TRANSFORMER	1	1	1	1					ELECTRICO / ELECTRIC
17	12024628	INTERRUP. 63A 3VIA 2POS SECCI UL	63A 3WAY 2POS ISOLATOR SWITCH	1	1	1	1					ELECTRICO / ELECTRIC
28	12023921	ELECTROVALVULA 3 VIAS	3 WAY SOLENOID VALVE	1	1	1	1					ELECTRICO / ELECTRIC
29	12025161	ELECTROVALVULA SIMPLE	SIMPLE SOLENOID VALVE	1	1	1	1					ELECTRICO / ELECTRIC
8	12023794	ELECTROVALVULA 2 VIAS	2 WAY SOLENOID VALVE	2	2	2						ELECTRICO / ELECTRIC
30	12023551	ELECTROVALVULA SIMPLE	SIMPLE SOLENOID VALVE				3					ELECTRICO / ELECTRIC
31	12024622	BOBINADO EV SIMPLE	SIMPLE SOLENOID VALVE COIL				3					ELECTRICO / ELECTRIC
	12120274	CABLEADO PTC+R UL	PTC+R UL WIRING	1	1	1	1					VARIOS / VARIOUS



12123442

Drawing Nr.	Signature	Date	ESQUEMA TEORICO / THEORIC. SCHEME	Sheet
	Iban R.	dic-15	LN_LR-11-14-18-25-35-60 TP	13



Simb / LENG	ESPAÑOL	ENGLISH	FRANÇAIS	DEUTSCH	ITALIANO
CT1, CT2	Contactor Calentamiento	Heating Contactor	Contacteur Chauffe	Heizschutz	Contatore Riscaldamento
CVF	Contactor Variador	Converter Contactor	Convertisseur	Schutz	Contatore Convertitore
5	Dosificador Neutralizante.	Neutralizer feeder	Doseur Neutralisant	Dosier	Dosatore Neutralizzante
6	Dosificador Jabon liquido.	Liquid soap feeder	Doseur lessive liquide	Dosier	Dosatore sapone liquido
7	Dosificador aditivos.	Additive feeder	Doseur additifs	Dosier	Dosatore additiv
D.T.	Display/Teclado	Display/Keyboard	Ecran/Clavier	Display/Tastatur	Display/Tastiera
e1	Electro válvula agua Fría.	Cold water electrically operated valve	Electrovanne eau Froide	Electroventil Kaltwasser	Electrovalvola acqua Fredda
e2	Electro válvula agua Caliente	Hot water electrically operated valve	Electrovanne eau Chaud	Electroventil Warmwasser	Electrovalvola acqua Calda
e3	Electro válvula Prelavado.	Pre-wash electrically operated valve	Electrovanne Pré-lavage	Electroventil Vorwaschen	Electrovalvola Prelavaggio
e4, e41	Electro válvula Lavado.	Wash electrically operated valve	Electrovanne Lavage	Electroventil Hauptwaschgang	Electrovalvola Lavaggio
e5	Electro válvula Lejía.	Bleach electrically operated valve	Electrovanne Eau de Javel	Electroventil Bleiche	Electrovalvola Candeggina
e6	Electro válvula Suavizante.	Fabric softener electrically operated valve	Electrovanne Assouplissant	Electroventil Weichspüler	Electrovalvola Ammorbidente
e7	Electro válvula agua Descalcificada	Delimed water electrically operated valve	Electrovanne eau Adoucie	Electroventil entkalktes Wasser	Electrovalvola acqua Decalcificata
e11	Electro válvula Vapor.	Steam electrically operated valve	Electrovanne Vapeur	Electroventil Dampf	Equilibrado Vapor
EB	Electro válvula de aire Basculación Trasera	Air Valve of the Back Tilling	Soupape à air de l'inclinaison arrière	Luftventil des rückseitigen Kippens	Valvola per aria di inclinazione posteriore
EF	Electro válvula de aire Basculación Frontal	Air Valve of the Front Tilling	Soupape à air de l'inclinaison avant	Luftventil des vorderen Kippens	Valvola per aria di inclinazione anteriore
EP	Electromán de Puerta.	Door electric magnet	Électroaimant de Porte	Elektromagnet Gerätetur	Elektromagnete Porta
FI	Fusible.	Interference filter	Filter Anti-parasites	Störungsfilter	Filter Interferenze
F	Pulsador Parada de emergencia.	Emergency stop push button	Bouton-pousoir Arrêt d'urgence	Sicherung	Fusibile
IE	Interruptor general.	General switch	Interrupteur général	Not-Aus-Taster	Pulsante Arresto di emergenza
IG	Interruptor General de seguridad.	General safety switch	Interrupteur général	Hauptschalter	Interruptore generale
IGS	Interruptor Basculación Trasero del Mando.	Back Tilling Switch of Control	Interrupteur Général	Hauptschalter	Interruptore generale di sicurezza
IB	Interruptor Rotación a Derechas del Mando.	Switch of Spins to the Right of Control	Commutateur de rotation arrière de commande	Rückseitiger Kippenschalter der Steuerung	Interruptore di inclinazione posteriore di controllo
Irbh	Interruptor de desequilibrio.	Unbalance switch	Commutateur des rotations à la droite de la commande	Schalter von Drehbeschleunigungen auf der rechten Seite der Steuerung	Interruptore delle rotazioni alla destra di controllo
IF	Interruptor Basculación Frontal Mando.	Front Tilling Switch of Control	Commutateur de rotation gauche de commande	Ungleichgewichtsschalter	Interruptore di equilibrio
IF2	Interruptor Rotación a Izquierdas Mando	Switch of Left Spin of Control	Commutateur de rotation gauche de commande	Front Tilling Switch of Control	Interruptore di inclinazione anteriore di controllo
Im	Interruptor Movimiento / Parada / Mando	Stopped Motion Switch	Détecteur Darrêt	Schalter der linken Drehbeschleunigung der Steuerung	Interruptore della rotazione di sinistra di controllo
Imo	Interruptor Monedero.	Coin slide switch	Interrupteur Monnayeur	Münzschalter	Interruptore Portamonete
Ip	Interruptor puerta Cerrada.	Closed door switch	Interrupteur porte Fermée	Schalter Tür geschlossen	Interruptore porta Chiusa
Ipb	Interruptor puerta Bloqueada.	Door lock switch	Interrupteur porte verrouillée	Schalter Tür verriegelt	Interruptore porta bloccata
Irbmj	Interruptor de Remojo del Mando	Soaking Switch of Control	Commutateur de trempage de commande	Tränkender Schalter der Steuerung	Interruptore d'inclinazione di controllo
Isc	Interruptor seguridad Temperatura	Hi-limit. Thermostat	Thermostat Limiteur	Grenzthermostat	Termostato Limitatore
Iv	Interruptor Vapor	Steam Switch	Commutateur de vapeur	Dampf-Schalter	Interruptore del vapore
M	Motor.	Motor	Motor	Motor	Motore
MB	Interruptor seguridad Basculación Trasero.	Back Tilling Hi-limit Switch	Back Tilling Hi-limit Switch		
MF	Interruptor seguridad Basculación Frontal.	Front Tilling Hi-limit Switch	Front Tilling Hi-limit Switch		
Mlo	Monedero.	Coin slot	Monnayeur	Münzvorrichtung	Portamonete
NTC	Sensor temperatura.	Temperature sensor	Capteur température	Temperatursensor	Sensore temperatura
PB	Presostato Basculación Trasero	Back Tilling Air Pressure Low-Limit	Front Tilling Air Pressure Low-Limit		
PF	Presostato Basculación Frontal	Front Tilling Air Pressure Low-Limit	Water Level Switch		
P, P2	Presostato Nivel de agua	Water Level Switch			
PRG	Circuito Programador.	Programmer Circuit	Circuit Programmeur	Kreislauf Programmier-richtung	Circuito Programatore
PTC	PTC.	PTC	PTC	PTC	PTC
Rb	Rele Basculación Trasero	Back Tilling Relay	Relais Détecteur Darrêt		
Rf	Rele Basculación Frontal	Front Tilling Relay	Relais porte Fermée		
Rm	Rele movimiento / Parada	Stopped Motion Relay	Relais porte verrouillée		
Rp	Rele Puerta	Closed door Relay	Resistance Chauffe		
Rpb	Rele Puerta Bloqueada	Door lock Relay	Thermostat Limiteur		
RT	Resistencia Calentamiento.	Heating Resistors	Thermique du Moteur		
TL	Limitador Temperatura	Hi-limit. Thermostat	Transformateur		
Tm	Térmico de Motor.	Motor hot-wire	Transformateur Version sans Neutre		
Trf	Transformador	Transformer	Transformateur Version sans Neutre		
Trf SN	Transformador Versión sin Neutro.	Transformer Version without Neutral	Vanne Vidange		
VAC, VAC2	Válvula Vacío	Emptying valve	Vanne Vidange		
VE, VE1, VE2	Ventilador.	Fan	Ventilateur		
VF	Convertidor de Frecuencia	Frequency converter	Convertisseur de Fréquence		
VM	Ventilador Motor.	Fan motor	Ventilateur Moteur		
1...8	Puntos conexión dosificadores.	Feeder connection points	Points raccordement doseurs		
9 - 10	Entrada de la central de pago 24V =	Central Entrance of payment			
11 - 12	Salida hacia la central de pago	Exit towards Central of Payment			
COLOR	COLORES	COLOURS	COULEURS	FARBEN	COLORE
a	Azul	Blue	Bleu	Blaue	Blu
am	Amarillo	Yellow	Jaune	Gelb	Giallo
am/ve	Amarillo/verde	Yellow / green	Jaune / vert	Gelb/grün	Giallo/verde
b	Bianco	White	Blanc	Weiß	Bianco
g	Grís	Grey	Gris	Grau	Grigio
m	Marrón	Brown	Marron	Braun	Marrone
n	Negro	Black	Noir	Schwarz	Nero
na	Naranja	Orange	Orange	Orange	Arancio
r	Rojó	Red	Rouge	Rot	Rosso
rs	Rosa	Pink	Rose	Rosa	Rosa
ve	Verde	Green	Vert	Grün	Verde
vi	Violeta	Purple	Violet	Violet	Violeta
					P623014000