

DESPIECE TÉCNICO TECHNICAL PARTS

Lavadoras
Washer extractors



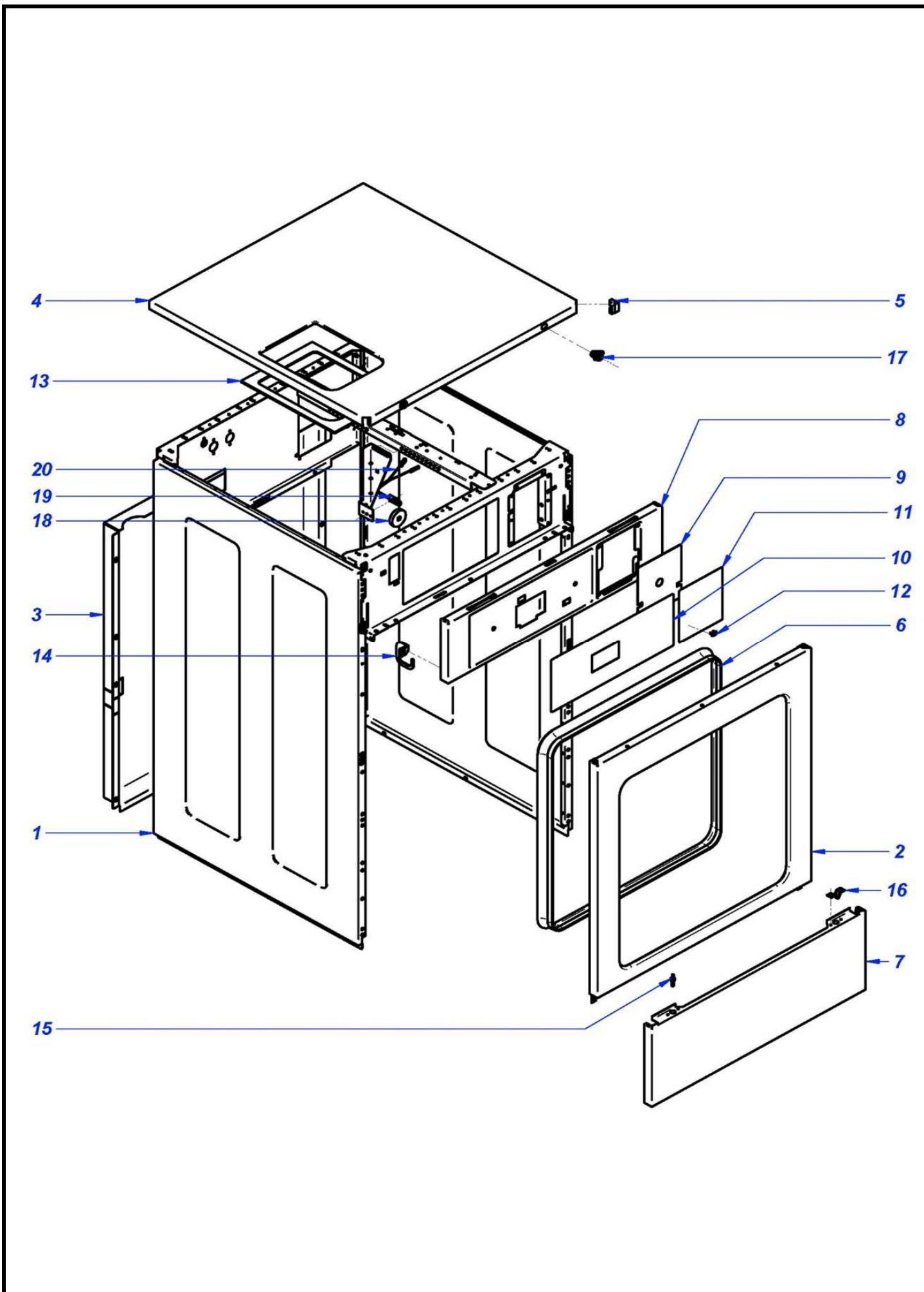
MODELOS
LA-11-14-18-25-35 TP

Diciembre 2015 December
Revisado Julio 2016 July revised



Together we evolve

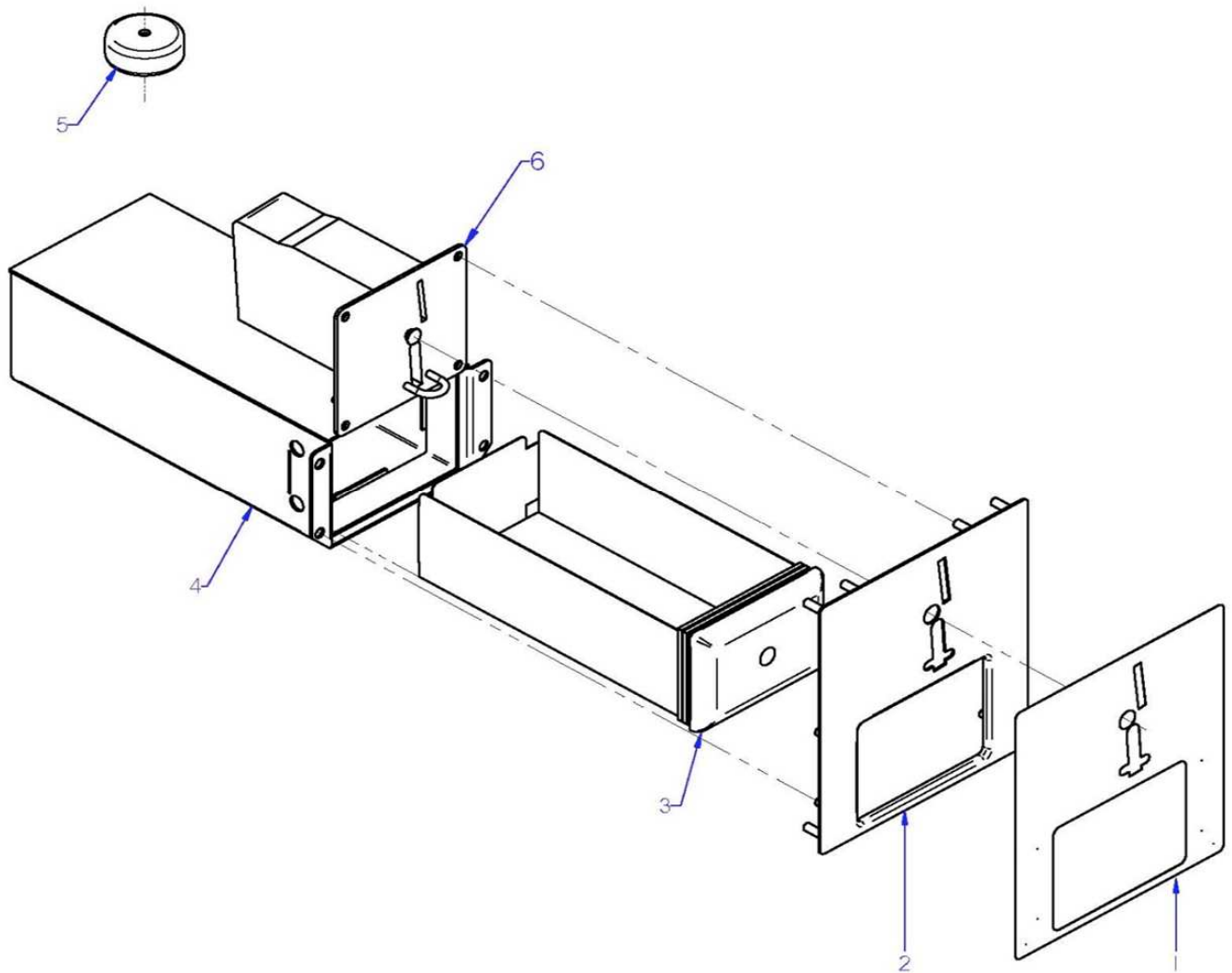




Drawing Nr.	Signature	Date	MUEBLE / CABINET	Sheet
	Iban R.	dic-15	LA-11-14-18-25-35 TP	1

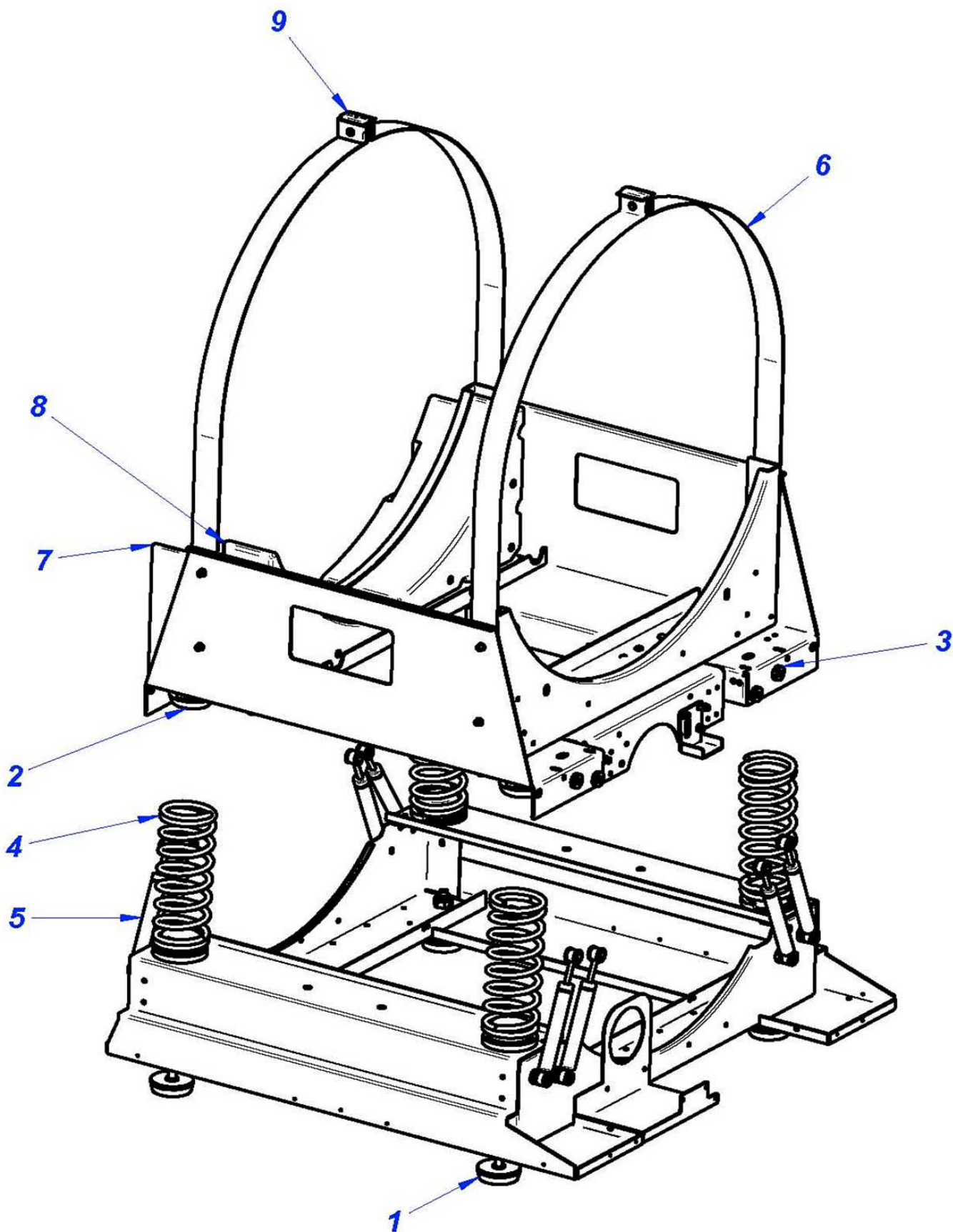


ITEM	REFERENCIA REFERENCE	DENOMINACIÓN	DENOMINATION	LA-11 TP	LA-14 TP	LA-18 TP	LA-25 TP	LA-35 TP			RECOMENDEDE	ELIMINADO ELIMINATED	INTRODUCIDO INTRODUCED
1	12131484	PANEL LATERAL	SIDE PANEL	2									
1	12110869	PANEL LATERAL	SIDE PANEL		2								
1	12110880	PANEL LATERAL	SIDE PANEL			2							
1	12110881	PANEL LATERAL	SIDE PANEL				2						
1	12132409	PANEL LATERAL	SIDE PANEL					2					
2	12120898	PANEL FRONTAL RECTO	STRAIGHT FRONT PANEL	1									
2	12132412	PANEL FRONTAL RECTO	STRAIGHT FRONT PANEL		1								
2	12132415	PANEL FRONTAL RECTO	STRAIGHT FRONT PANEL			1							
2	12132416	PANEL FRONTAL RECTO	STRAIGHT FRONT PANEL				1						
2	12132417	PANEL FRONTAL RECTO	STRAIGHT FRONT PANEL					1					
3	12001300	PANEL POSTERIOR	REAR PANEL	1									
3	12001239	PANEL POSTERIOR	REAR PANEL		1								
3	12001211	PANEL POSTERIOR	REAR PANEL			1							
3	12001154	PANEL POSTERIOR	REAR PANEL				1						
3	12111421	PANEL POSTERIOR	REAR PANEL					1					
4	12132421	REP. ENCIMERA	WORKTOP	1									
4	12131524	REP. ENCIMERA	WORKTOP		1								
4	12132422	REP. ENCIMERA	WORKTOP			1							
4	12132423	REP. ENCIMERA	WORKTOP				1						
4	12132424	REP. ENCIMERA	WORKTOP					1					
5	12039188	CANTONERA R1	R1 CORNER	2	2	2	2	2					
6	11000161	PERFIL EMBELLECEDOR A1 104/2	A1 104/2 PROFILE	3	3	3	3	4					
7	12116089	ZOCALO	SKIRTING	1									
7	12111769	ZOCALO	SKIRTING		1								
7	12116093	ZOCALO	SKIRTING			1							
7	12116098	ZOCALO	SKIRTING				1						
8	12132426	REP PORTAMANDOS	CONTROL PANEL	1									
8	12131534	REP PORTAMANDOS	CONTROL PANEL		1								
8	12131535	REP PORTAMANDOS	CONTROL PANEL			1							
8	12131536	REP PORTAMANDOS	CONTROL PANEL				1						
8	12132427	REP PORTAMANDOS	CONTROL PANEL					1					
9	12120271	TAPA MONEDERO COMPLETA	COMPLETE COIN COVER	1	1	1	1	1					
10	12113512	ADHESIVO FAGOR TP	FAGOR TP ADHESIVE	1	1	1	1	1			X		
11	12113854	ADHESIVO ON/OFF FAGOR	FAGOR ON/OFF ADHESIVE	1	1	1	1	1			X		
12	12119954	TAPON USB	USB CAP	1	1	1	1	1					
13	12009796	APOYO CUBETA DE DETERGENTES	DETERGENT TRAY SUPPORT	1	1	1	1	1					
14	12131540	BISAGRA PORTAMANDOS IZQ	CONTROL PANEL LEFT HINGE	1	1	1	1	1					
14	12131542	BISAGRA PORTAMANDOS DCH	CONTROL PANEL RICHT HINGE	1	1	1	1	1					
15	12008693	PITON CIERRE	LOCK BOLT	7	7	7	13	13					
16	12008460	CIERRRE MUELLE Fre.700 MIKALOR	Fre.700 MIKALOR LOCK SPRING	7	7	7	13	13					
17	12094428	CERRADURA 0330	0330 LOCK	2	2	2	2						
17	12122600	CERRADURA 0330	0330 LOCK					2					
18	12023314	IMAN DESEQUILIBRIO DIAM. 50	DIAM. 50 IMBALANCE MAGNET	1	1	1	1	1					
19	12024066	AMARRE INTERRUP TOR MAGNETICO	MAGNETIC SWITCH HOLDER	1	1	1	1	1					
20	12024477	INTERRUP. 0,04 1VIA 1 POS MAGNET.	0,04 1VIA 1 POS MAGNET SWITCH	1	1	1	1	1					



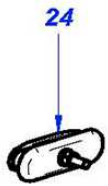
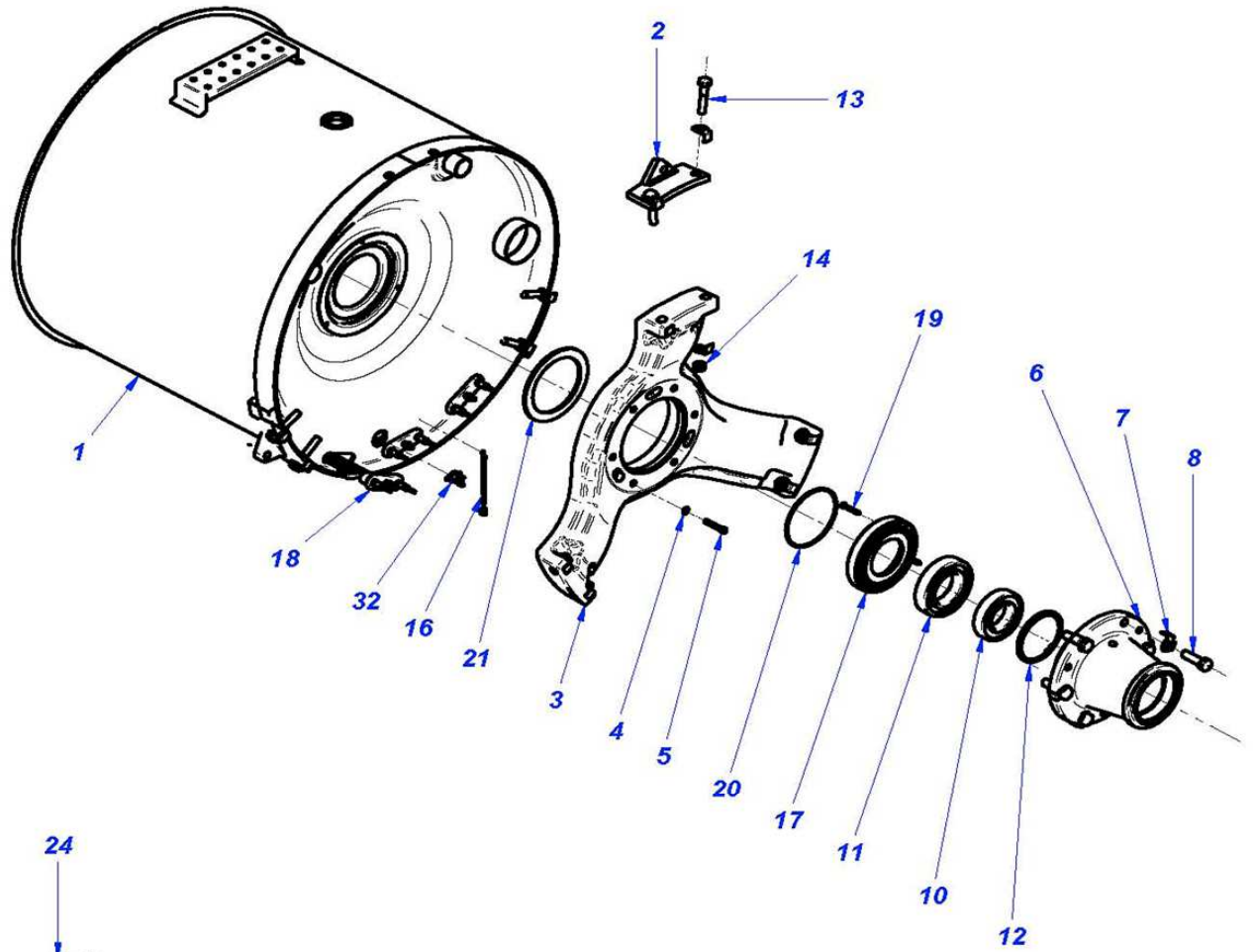
Drawing Nr.	Signature	Date	MONEDERO / KIT COIN	Sheet
	Iban R.	dic-15	LA-11-14-18-25-35 TP	2

ITEM	REFERENCIA REFERENCE	DENOMINACIÓN	DENOMINATION	LA-11 TP	LA-14 TP	LA-18 TP	LA-25 TP	LA-35 TP				RECOMMENDED	ELIMINADO ELIMINATED	INTRODUCIDO INTRODUCED
1	12007739	ADHESIVO MONEDERO FAGOR	COIN SLOT ADHESIVE FAGOR	1	1	1	1	1						
2	12130334	CHAPA MONEDERO COMPL.	COIN SLOT PLATE COMPL.	1	1	1	1	1						
3	12023400	CAJA MONEDAS CON LLAVE (XL 8 MONI	COIN DRAWER (XL 8 MONEY BOX)	1	1	1	1	1						
4	12130337	PORTA CAJA MONEDAS COMPL.	COIN BOX HOLDER COMPL.	1	1	1	1	1						
5	12009621	TRANSFORMADOR MONEDERO	COIN SLOT TRANSFORMER	1	1	1	1	1						
6	12023342	MONEDERO WH (EUR-GBP)	COIN SLOT WH (EUR-GBP)	1	1	1	1	1						
6	12044494	MONEDERO WH (ARS-CLP-BRL)	COIN SLOT WH (ARS-CLP-BRL)	1	1	1	1	1						
6	12044490	MONEDERO WH (AUD-NZD-JPY)	COIN SLOT WH (AUD-NZD-JPY)	1	1	1	1	1						
6	12044488	MONEDERO WH (CNY-TWD-HKD)	COIN SLOT WH (CNY-TWD-HKD)	1	1	1	1	1						
6	12044496	MONEDERO WH (MAD-DZD-TND)	COIN SLOT WH (MAD-DZD-TND)	1	1	1	1	1						
6	12044489	MONEDERO WH (MYR-SGD-IDR)	COIN SLOT WH (MYR-SGD-IDR)	1	1	1	1	1						
6	12044492	MONEDERO WH (RUB-ROB-CZK)	COIN SLOT WH (RUB-ROB-CZK)	1	1	1	1	1						
6	12044491	MONEDERO WH (TRY-PLN)	COIN SLOT WH (TRY-PLN)	1	1	1	1	1						
6	12044487	MONEDERO WH (USD-MXN-CAD)	COIN SLOT WH (USD-MXN-CAD)	1	1	1	1	1						
6	12044493	MONEDERO WH (VEF-PEN-COP)	COIN SLOT WH (VEF-PEN-COP)	1	1	1	1	1						
S/N	12046624	CABLEADO MONEDERO EMP 500	MONEDERO EMP 500 WIRING	1	1	1	1	1						
	19034820	FAGOR KIT MONEDERO EUR-GBP	FAGOR KIT COIN 2015 EUR-GBP											
	19034827	FAGOR KIT MONEDE. ARS-CLP-BRL	FAGOR KIT COIN 2015 ARS-CLP-BRL											
	19034824	FAGOR KIT MONEDE. AUD-NZD-JPY	FAGOR KIT COIN 2015 AUD-NZD-JPY											
	19034822	FAGOR KIT MONED. CNY-TWD-HKD	FAG. KIT COIN 2015 CNY-TWD-HKD											
	19034829	FAGOR KIT MONED. MAD-DZD-TND	FAGOR KIT COIN 2015 MAD-DZD-TND											
	19034826	FAGOR KIT MONED. MYR-SGD-IDR	FAGOR KIT COIN 2015 MYR-SGD-IDR											
	19034825	FAGOR KIT MONED. RUB-ROB-CZK	FAGOR KIT COIN 2015 RUB-ROB-CZK											
	19034823	FAGOR KIT MONEDERO TRY-PLN	FAGOR KIT COIN 2015 TRY-PLN											
	19034821	FAGOR KIT MONED. USD-MXN-CAD	FAGOR KIT COIN 2015 USD-MXN-CAD											
	19034828	FAGOR KIT MONED. VEF-PEN-COP	FAG. KIT COIN 2015 VEF-PEN-COP											
	19018489	FAGOR KIT MONED. KOR-THL-PHL	FAG. KIT COIN 2015 KOR-THL-PHL											

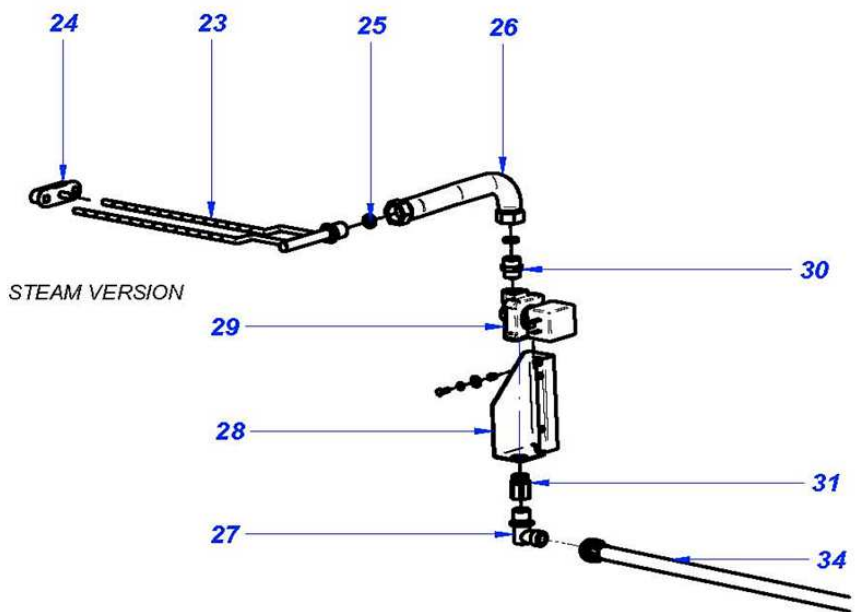


Drawing Nr.	Signature	Date	ARMAZON / FRAME	Sheet
	Iban R.	dic-15	LA-11-14-18-25-35 TP	3





HOT WATER VERSION

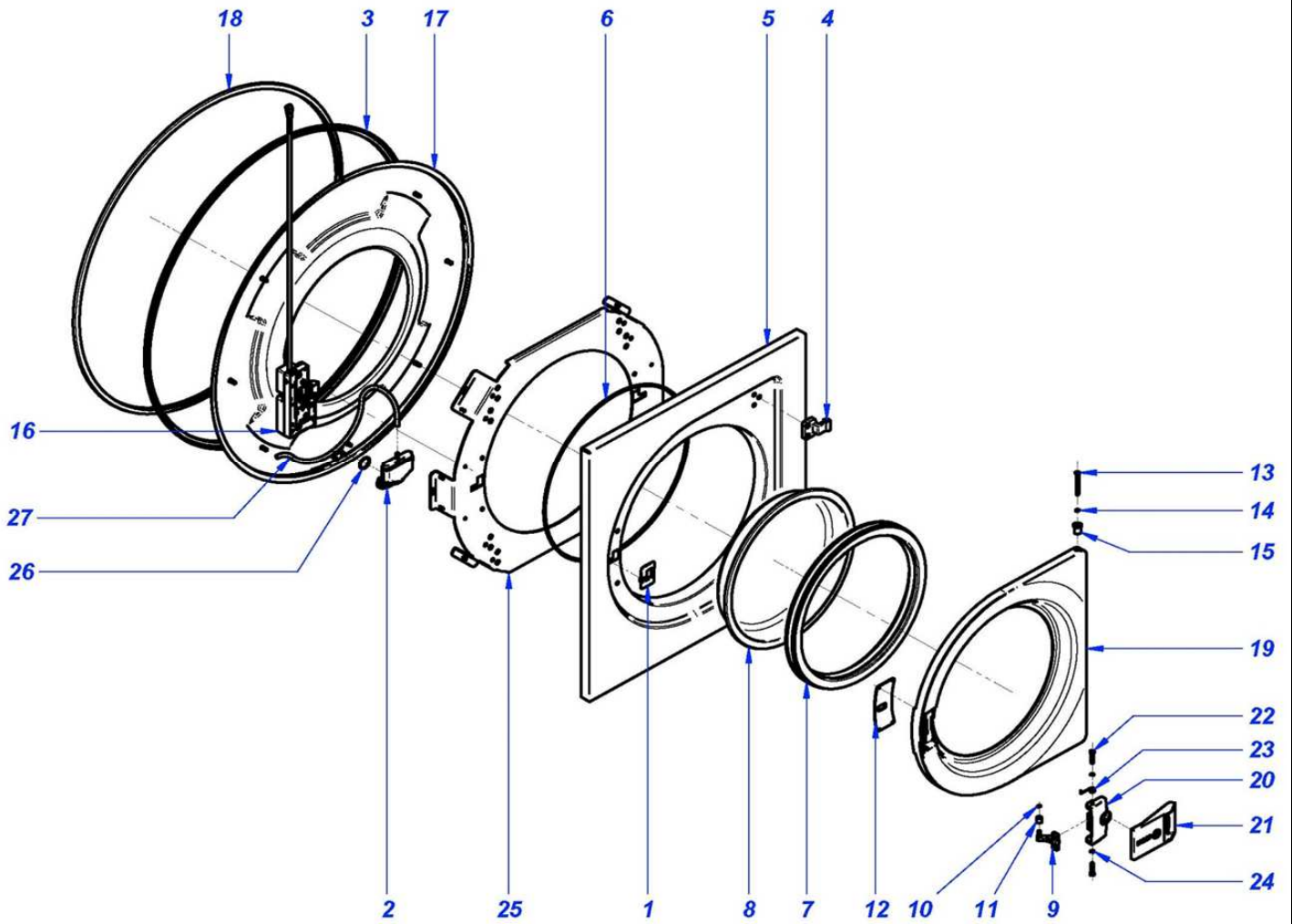


STEAM VERSION

Drawing Nr.	Signature	Date	CUBA / TUB	Sheet
	Iban R.	sep-15	LA-11-14-18-25-35 TP	3



ITEM	REFERENCIA REFERENCE	DENOMINACIÓN	DENOMINATION	LA-11 TP	LA-14 TP	LA-18 TP	LA-25 TP	LA-35 TP			RECOMMENDED	ELIMINADO ELIMINATED	INTRODUCIDO INTRODUCED
1	12121090	CUBA COMPLETA	COMPLETE TUB	1									
1	12121068	CUBA COMPLETA	COMPLETE TUB		1								
1	12121182	CUBA COMPLETA	COMPLETE TUB			1							
1	12126191	CUBA COMPLETA	COMPLETE TUB				1						
1	12097297	CUBA COMPLETA	COMPLETE TUB					1					
2	12023348	APOYO TORNILLOS 8	SCREW SUPPORT 8	3									
2	12023329	APOYO TORNILLOS 13	SCREW SUPPORT 13		3								
2	12023317	APOYO TORNILLOS 18	SCREW SUPPORT 18			3							
2	12023327	APOYO TORNILLOS 25	SCREW SUPPORT 25				3						
2	12097420	APOYO TORNILLOS 35	SCREW SUPPORT 35					3					
3	12023200	REFUERZO FONDO CUBA	TUB BASE REINFORCEMENT	1									
3	12023193	REFUERZO FONDO CUBA	TUB BASE REINFORCEMENT		1								
3	12023188	REFUERZO FONDO CUBA	TUB BASE REINFORCEMENT			1							
3	12023187	REFUERZO FONDO CUBA	TUB BASE REINFORCEMENT				1						
3	12046408	REFUERZO FONDO CUBA	TUB BASE REINFORCEMENT					1					
4	12009868	ARANDELA PLANA 6MM DIN125	FLAT WASHER 6MM DIN125	3	3	3	5	5					
5	12010106	TORNILLO DIN 912 M6X35	SCREW DIN 912 M6X35	3	3	3	5	5					
6	12095450	SOPORTE RODAMIENTOS	BEARING SUPPORT	1									
6	12095451	SOPORTE RODAMIENTOS	BEARING SUPPORT		1								
6	12095452	SOPORTE RODAMIENTOS	BEARING SUPPORT			1							
6	12095453	SOPORTE RODAMIENTOS	BEARING SUPPORT				1						
6	12096461	SOPORTE RODAMIENTOS	BEARING SUPPORT					1					
7	12010114	ARAND. SEG. 13 DIN 463	SAFETY WASHER 13 DIN 463	6	6								
7	12010075	ARAND. SEG. 15 DIN 463	SAFETY WASHER 15 DIN 463			6							
7	12010072	ARAND. SEG. 16 DIN 463	SAFETY WASHER 16 DIN 463				10	10					
8	12009880	TORNILLO M12X40MM DIN933	SCREW M12X40MM DIN933	6									
8	12009902	TORNILLO M12X55MM DIN931	SCREW M12X55MM DIN931		6								
8	12009931	TORNILLO M14X70MM DIN931	SCREW M14X70MM DIN931			6	10						
8	12009917	TORNILLO M16X80MM DIN931	SCREW M16X80MM DIN931					10					
10	12024905	RODAMIENTO 45/85/19	BEARING 45/85/19	1									
10	12024886	RODAMIENTO 6210 DDU	BEARING 6210-2Z		1								
10	12023485	RODAMIENTO 6212-2RS1	BEARING 6212-2RS1			1							
10	12023428	RODAMIENTO 6312-2Z	BEARING 6312-2Z				1						
10	12097296	RODAMIENTO 6316 ZZ (80x170x39)	BEARING 6316 ZZ (80x170x39)					1					
11	12024842	RODAMIENTO 55/100/21	BEARING 55/100/21	1									
11	12023485	RODAMIENTO 6212-2RS1	BEARING 6212-2RS1		1								
11	12023445	RODAMIENTO 6214-2RS1	BEARING 6214-2RS1			1							
11	12023411	RODAMIENTO 6216-2RS1	BEARING 6216-2RS1				1						
11	12097295	RODAMIENTO 6318 DDU (90x190x43)	BEARING 6318 DDU (90x190x43)					1					
12	12009847	ANILLO SEG. INT. 85 DIN-472	LOCKING RING 85 DIN 472	1									
12	12009858	ANILLO SEGURIDAD 90 DIN472	LOCKING RING 90 DIN 472		1								
12	12009802	ANILLO SEGURIDAD J110X4 DIN472	LOCKING RING J110X4 DIN472			1							
12	12009798	ANILLO SEG. INT 130 DIN-472	LOCKING RING 130 DIN-472				1						
12	12124794	ANILLO SEG. INT 170 DIN472-I	LOCKING RING 170 DIN-472					1					
12	12124798	ANILLO SEG. INT 190 DIN472-I	LOCKING RING 190 DIN-472					1					
13	12009902	TORNILLO HEX. M12X55MM DIN931	HEXAG. SCREW M12X55MM DIN931	6									
13	12009887	TORNILLO HEX. M14X50MM DIN931	HEXAG. SCREW M14X50MM DIN931		6								
13	12009814	TORNILLO HEX. M14X70MM DIN933	HEXAG. SCREW M14X70MM DIN933			6	10						
13	12009917	TORNILLO HEX. M16X80MM DIN933	HEXAG. SCREW M16X80MM DIN933					10					
14	12010089	TC AUTOBLOC. FE ZN M14 DIN985	TC AUTOBLOC. FE ZN M14 DIN985	6	6	6	6						
14	12010061	TC AUTOBLOC. FE ZN M16 DIN985	TC AUTOBLOC. FE ZN M16 DIN985					6					
16	12025036	SONDA 64KOHMIO NTC	64KOHM NTC PROBE	1	1	1	1	1			X		
17	12023238	CASQUILLO CONTRA RETEN	COUNTERSEAL BUSHING	1									
17	12023224	CASQUILLO CONTRA RETEN	COUNTERSEAL BUSHING		1								
17	12023213	CASQUILLO CONTRA RETEN	COUNTERSEAL BUSHING			1							
17	12023205	CASQUILLO CONTRA RETEN	COUNTERSEAL BUSHING				1						
17	12097308	CASQUILLO CONTRA RETEN	COUNTERSEAL BUSHING					1					
18	12096226	RESIST. CALENT. 2000W	HEATING RESISTOR 2000W	3							X		
18	12096023	RESIST. CALENT. 3000W	HEATING RESISTOR 3000W		3						X		
18	12096051	RESIST. CALENT. 4000W	HEATING RESISTOR 4000W			3					X		
18	12041359	RESIST. CALENT. 6000W	HEATING RESISTOR 6000W				3				X		
18	12092855	RESIST. CALENT. 7000W	HEATING RESISTOR 7000W					3			X		
19	12010170	TORNILLO INOX M5X30MM DIN912	S. STEEL BOLT M5X30 DIN912	3	3	3	3	5					
20	12009980	JUNTA TORICA 102x3	O-RING 102x3	1									
20	12009940	JUNTA TORICA 114x3	O-RING 114x3		1								
20	12009926	JUNTA TORICA 128x3	O-RING 128x3			1							
20	12010168	JUNTA TORICA 150x3	O-RING 150x3				1						
20	12025230	JUNTA TORICA 200x3	O-RING 200x3					1					



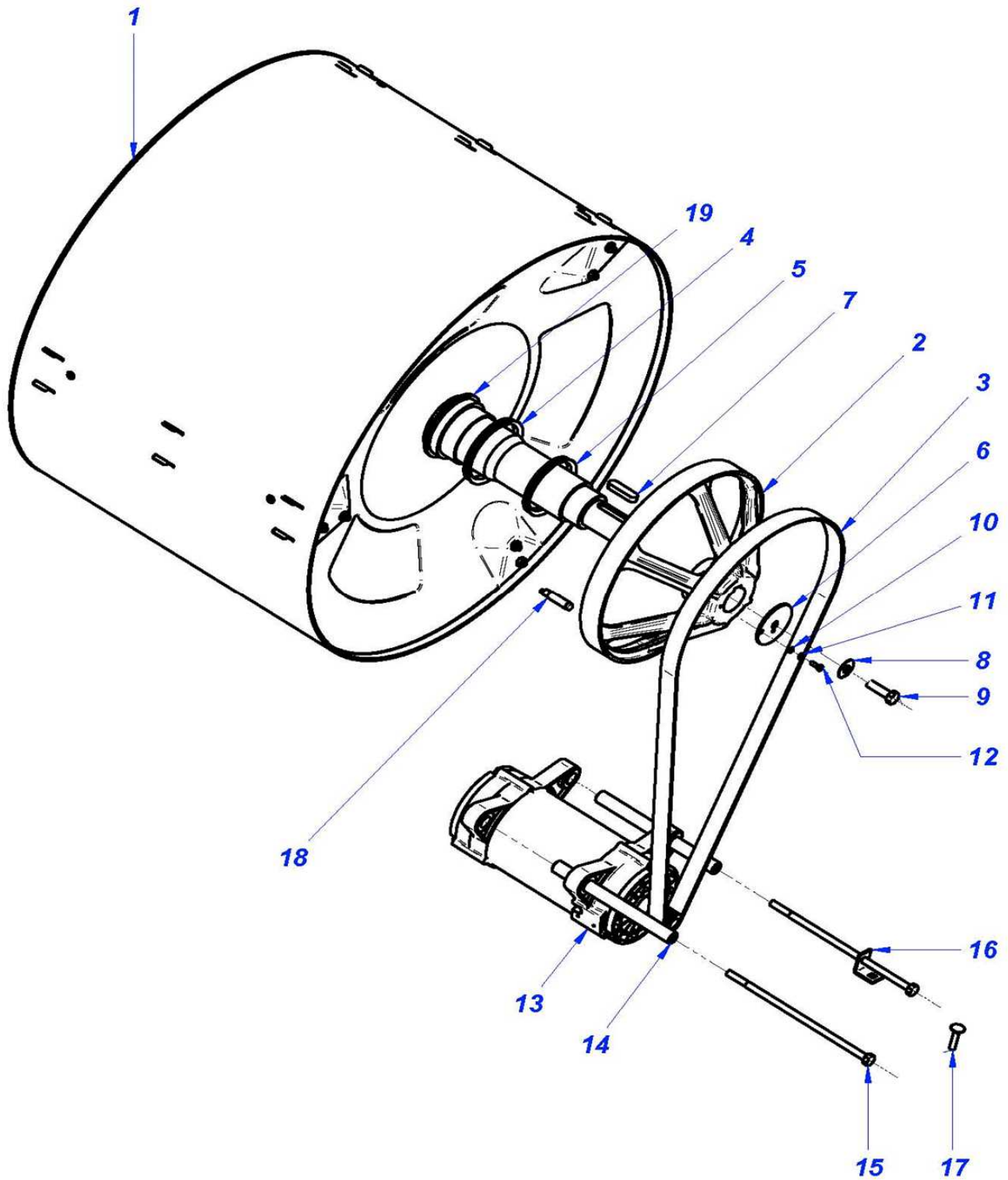
Drawing Nr.	Signature	Date	FRENTE CUBA / TUB FRONT	Sheet
	Iban R.	oct-15	LA-11-14-18-25-35 TP	5

FRENTE CUBA / TUB FRONT

LAMINA /
DRAWING



ITEM	REFERENCIA REFERENCE	DENOMINACIÓN	DENOMINATION	LA-11 TP	LA-14 TP	LA-18 TP	LA-25 TP	LA-35 TP			RECOMMENDED	ELIMINADO ELIMINATED	INTRODUCIDO INTRODUCED
1	12096278	EMBELLECEDOR CIERRE ADHESIVO	ADHESIVE LOCK TRIM	1	1	1	1	1					
2	12093146	CAMPANA TANQUE	TUB'S PRESSURE CHAMBER	1	1	1	1	1					
3	12023272	JUNTA CUBA	TUB SEAL	1									
3	12023268	JUNTA CUBA	TUB SEAL		1								
3	12023260	JUNTA CUBA	TUB SEAL			1							
3	12023255	JUNTA CUBA	TUB SEAL				1						
3	12049084	JUNTA CUBA	TUB SEAL					1					
4	12123602	BISAGRA PUERTA REDONDA	ROUNDED DOOR HINGE	2	2	2	2						
4	12046248	BISAGRA PUERTA V2	DOOR HINGE V2					2					
5	12121188	FONDO PUERTA	DOOR BASE	1									
5	12120457	FONDO PUERTA	DOOR BASE		1	1	1						
5	12113049	FONDO PUERTA	DOOR BASE					1					
6	11000068	PERFIL GOMA GRIS EN U 12*6	GREY RUBBER PROFILE U12*6	2	2	2	2	2					
7	12007767	JUNTA PUERTA	DOOR SEAL	1							X		
7	12023284	JUNTA PUERTA	DOOR SEAL		1	1	1				X		
7	12048069	JUNTA PUERTA	DOOR SEAL					1			X		
8	12024250	MIRILLA PUERTA	DOOR WINDOW	1									
8	12024758	MIRILLA PUERTA	DOOR WINDOW		1	1	1						
8	12048068	MIRILLA PUERTA	DOOR WINDOW					1					
9	12023347	GANCHO REGULABLE CIERRE	REGULABLE LOCK HOOK	1	1	1	1	1					
10	12010155	ANILLO SEG. A6 DIN471	LOCKING RING A6 DIN471	1	1	1	1	1					
11	12025215	CASQUILLO PUERTA	DOOR BUSHING	1	1	1	1	1					
12	12122943	TAPA MANETA	LID CLOSURE	1									
12	12122308	TAPA MANETA	LID CLOSURE		1	1	1						
12	12048900	TAPA MANETA	LID CLOSURE					1					
13	12025202	PASADOR PUERTA	DOOR PIN	2	2	2	2						
13	12048691	PASADOR LN-35 D10x55	DOOR PIN LN-35 D10x55					2					
14	12010103	ARANDELA SEG. 4MM DIN6799	LOCK WASHER 4MM DIN6799	2	2	2	2						
14	12010074	ARANDELA SEG. 7MM DIN6799	LOCK WASHER 7MM DIN6799					2					
15	12048628	COJINETE SELF-OIL	SELF-OIL BUSHING					2					
16	12119770	CIERRE COMPLETO 2015	COMPLETE LOCK 2015	1	1	1	1	1			X		
17	12119919	FRENTE CUBA COMPLETA	COMPLETE TUB FRONT	1									
17	12121232	FRENTE CUBA COMPLETA	COMPLETE TUB FRONT		1								
17	12121433	FRENTE CUBA COMPLETA	COMPLETE TUB FRONT			1							
17	12121443	FRENTE CUBA COMPLETA	COMPLETE TUB FRONT				1						
17	12138636	FRENTE CUBA COMPLETA	COMPLETE TUB FRONT					1					
18	12022642	CIERRE CUBA COMPLETA	COMPLETE TUB ENCLOSURE	1									
18	12023103	CIERRE CUBA COMPLETA	COMPLETE TUB ENCLOSURE		1								
18	12023108	CIERRE CUBA COMPLETA	COMPLETE TUB ENCLOSURE			1							
18	12023105	CIERRE CUBA COMPLETA	COMPLETE TUB ENCLOSURE				1						
18	12049772	CIERRE CUBA COMPLETA	COMPLETE TUB ENCLOSURE					1					
19	12007727	PUERTA FAGOR 2010 13,18,25	FAGOR DOOR 2010 13, 18, 25	1									
19	12007725	PUERTA FAGOR 2010 13,18,25	FAGOR DOOR 2010 13, 18, 25		1	1	1						
19	12049408	PUERTA FAGOR 2010 35	FAGOR DOOR 35					1					
20	12010370	MANETA PUERTA FAGOR	DOOR HANDLE FAGOR	1	1	1	1	1					
21	12000752	POMO FAGOR 2010	KNOB FAGOR 2010	1	1	1	1	1					
22	12016778	PASADOR CIERRE	LOCK PIN	2	2	2	2	2					
23	12023383	MUELLE CIERRE	LOCK SPRING	1	1	1	1	1					
24	12010103	ARANDELA SEG. 4MM DIN6799	LOCK WASHER 4MM DIN6799	2	2	2	2	2					
25	12132446	REP CALZO PUERTA	DOOR PROP	1									
25	12131545	REP CALZO PUERTA	DOOR PROP		1	1	1						
25	12132447	REP CALZO PUERTA	DOOR PROP					1					
26	12093145	JUNTA TORICA CAMPANA D25x3,5	O-RING D25x3,5	1	1	1	1	1					
27	11000066	TUBO GOMA NEGRO Ø 8x4	BLACK RUBBER HOSE Ø 8x4	3	3	3	3	3					



Drawing Nr.	Signature	Date	TAMBOR / DRUM	Sheet
	Iban R.	oct-15	LA-11-14-18-25-35 TP	6

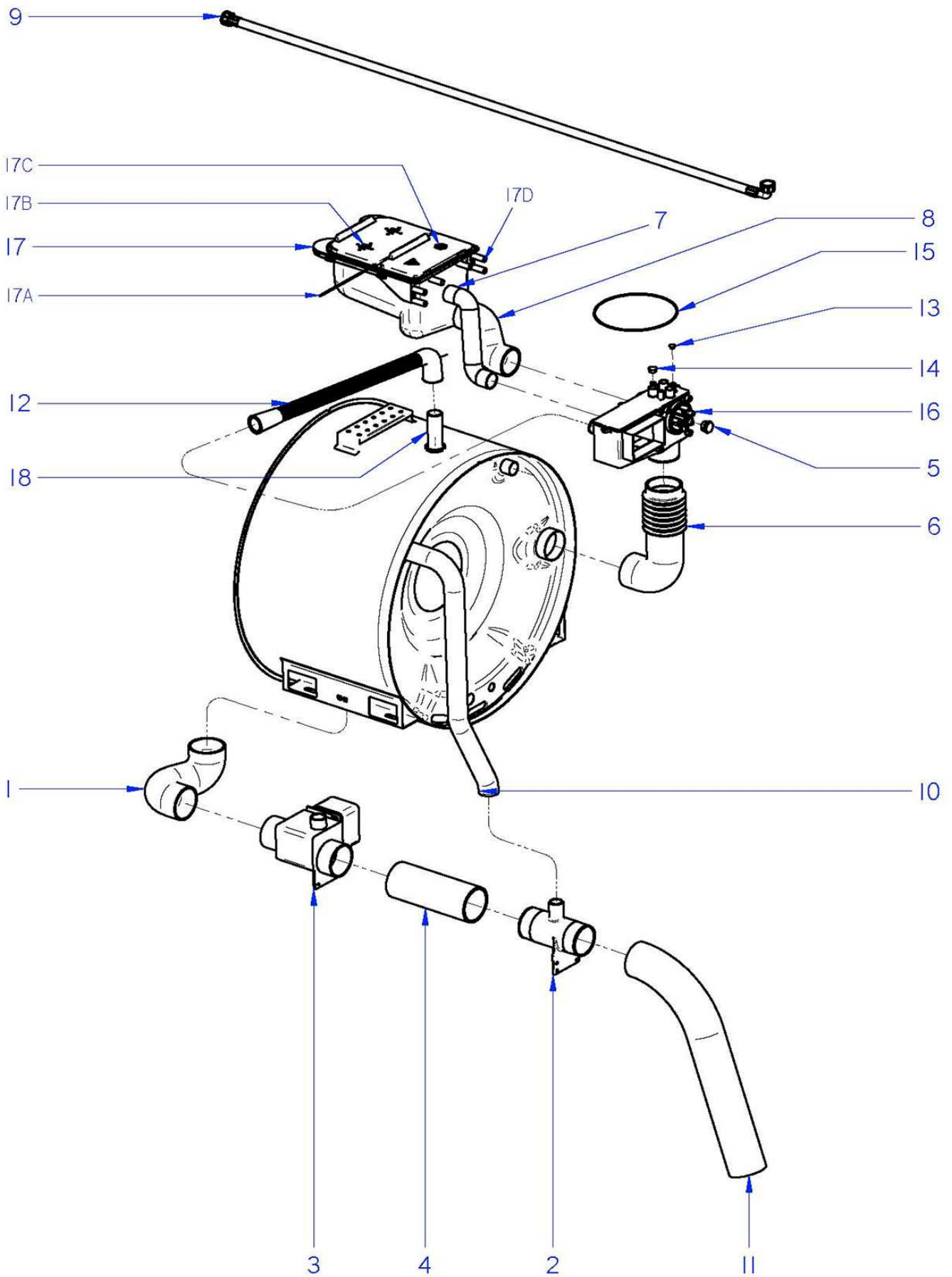


TAMBOR / DRUM

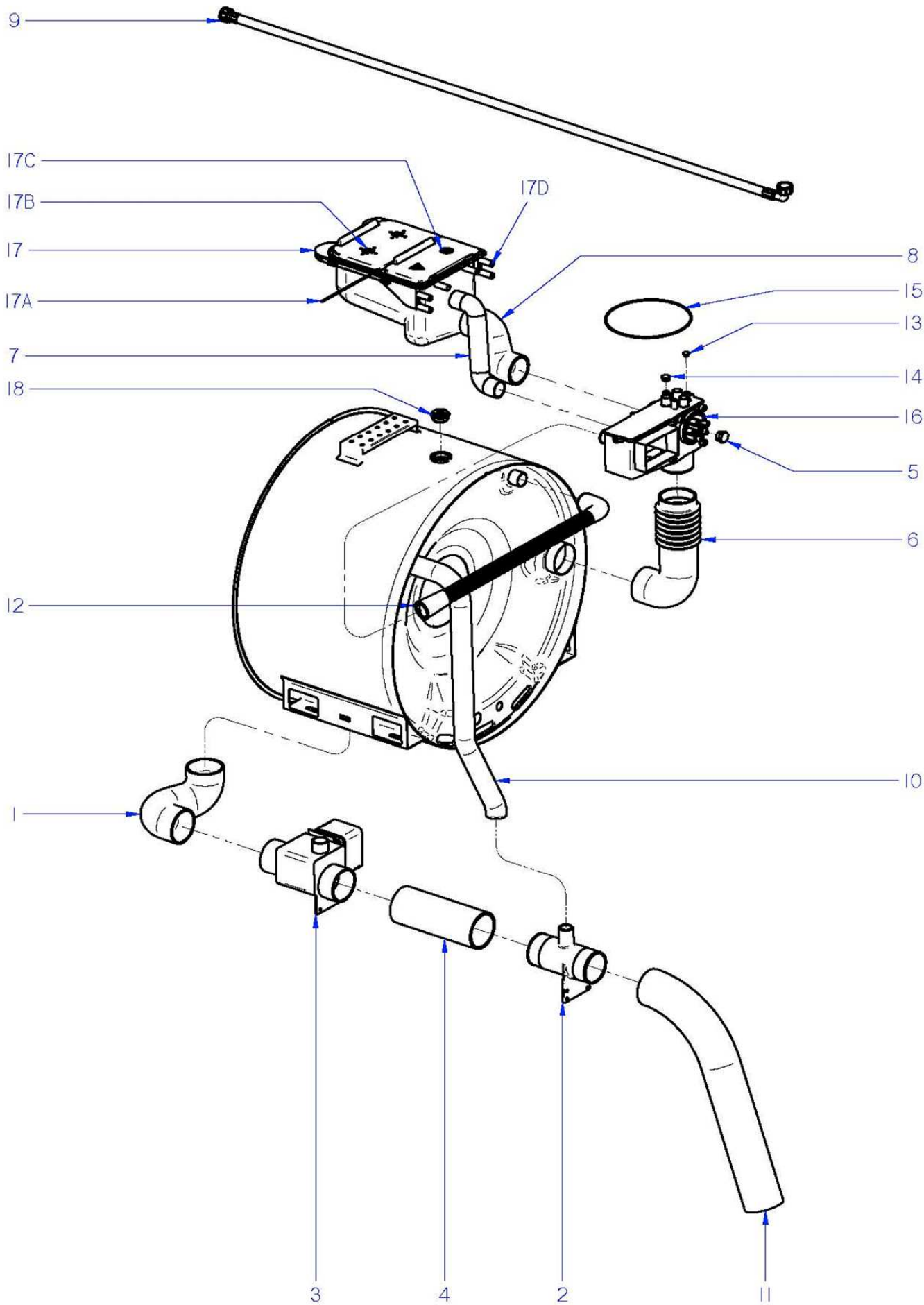
LAMINA / DRAWING



ITEM	REFERENCIA REFERENCE	DENOMINACIÓN	DENOMINATION	LA-11 TP	LA-14 TP	LA-18 TP	LA-25 TP	LA-35 TP			RECOMMENDED	ELIMINADO ELIMINATED	INTRODUCIDO INTRODUCED
1	12004082	TAMBOR COMPLETO	COMPLETE DRUM	1									
1	12004087	TAMBOR COMPLETO	COMPLETE DRUM		1								
1	12004100	TAMBOR COMPLETO	COMPLETE DRUM			1							
1	12004126	TAMBOR COMPLETO	COMPLETE DRUM				1						
1	12097273	TAMBOR COMPLETO	COMPLETE DRUM					1					
2	12023279	POLEA TAMBOR	DRUM PULLEY	1									
2	12024919	POLEA TAMBOR	DRUM PULLEY		1	1							
2	12023249	POLEA TAMBOR	DRUM PULLEY				1						
2	12097389	POLEA TAMBOR	DRUM PULLEY					1					
3	12023273	CORREA POLY-V PJ 1301 (8 DIENTES)	BELT POLY-V PJ 1301 (8 TEETH)	1							X		
3	12023269	CORREA POLY-V PJ 1600 (8 DIENTES)	BELT POLY-V PJ 1600 (8 TEETH)		1						X		
3	12023267	CORREA POLY-V PJ 1663 (8 DIENTES)	BELT POLY-V PJ 1663 (8 TEETH)			1					X		
3	12023252	CORREA POLY-V PJ 1854 (12 DIENT.)	BELT POLY-V PJ 1854 (12 TEETH)				1				X		
3	12104292	CORREA POLY-V PJ 2083 (12 DIENT.)	BELT POLY-V PJ 2083 (12 TEETH)					1			X		
4	12025038	RETEN V-RING VA-80 VITON	V-RING RETAINER VA-80 VITON	1									
4	12024987	RETEN V-RING VA-85 VITON	V-RING RETAINER VA-85 VITON		1								
4	12024988	RETEN V-RING VA-95 VITON	V-RING RETAINER VA-95 VITON			1							
4	12024993	RETEN V-RING VA-100 VITON	V-RING RETAINER VA-100 VITON				1						
4	12046264	RETEN VA-110 VITON	V-RING RETAINER VA-110 VITON					1					
5	12025226	RETEN V-RING 65 NBR	V-RING RETAINER 65A NBR	1									
5	12025221	RETEN V-RING VA-70 NBR	V-RING RETAINER VA-70 VITON		1								
5	12025038	RETEN V-RING VA-80 VITON	V-RING RETAINER VA-80 VITON			1							
5	12024992	RETEN V-RING VA 90	V-RING RETAINER VA-90 VITON				1						
5	12024993	RETEN V-RING VA-100 VITON	V-RING RETAINER VA-100 VITON					1					
6	12021847	ARANDELA POLEA MOTOR	ENGINE PULLEY WASHER	1									
6	12021832	ARANDELA POLEA MOTOR	ENGINE PULLEY WASHER		1	1	1						
6	12103750	ARANDELA POLEA MOTOR	ENGINE PULLEY WASHER					1					
7	12015234	CHAVETA 12x8x40 DIN 6885	COTTER PIN 12x8x40 DIN 6885	1									
7	12025213	CHAVETA TIPO A 14x9x50 DIN 6885	COTTER PIN 14x9x50 DIN 6885 A		1	1	1						
7	12115159	CHAVETA 20x12x63 DIN6885 TIPO A	COTTER PIN 20x12x63 DIN 6885 A					1					
8	12009896	ARANDELA SEG. FE ZN 12MM DIN432	SAFETY WASHER FE ZN 12MM DIN432	1	1	1	1	1					
9	12010069	TORNILLO FE ZN M12X40MM DIN933	SCREW FE ZN M12X40MM DIN933	1	1	1	1	1					
13	12023197	MOTOR 230V AC 3N 750W 2800RPM	ENGINE 230V AC 3N 750W 2800RPM	1							X		
13	12023195	MOTOR 230V AC 3N 1100W 2800RPM	ENGINE 230V AC 3N 1100W 2800RPM		1						X		
13	12023194	MOTOR 230V AC 3N 2200W 2800RPM	ENGINE 230V AC 3N 2200W 2800RPM			1					X		
13	12023189	MOTOR 230V AC 3N 3KW 2800RPM	ENGINE 230V AC 3N 3KW 2800RPM				1				X		
13	12046405	MOTOR 230V AC 3N 4KW 1500RPM	ENGINE 230V AC 4N 3KW 1500RPM					1			X		
14	12023322	TUBO SOPORTE MOTOR	ENGINE SUPPORT HOSE	2									
14	12023319	TUBO SOPORTE MOTOR	ENGINE SUPPORT HOSE		2								
14	12023310	TUBO SOPORTE MOTOR	ENGINE SUPPORT HOSE			2							
14	12023307	TUBO SOPORTE MOTOR	ENGINE SUPPORT HOSE				2	2					
15	12009921	TORNILLO FE ZN M10X150MM DIN931	SCREW FE ZN M10X150MM DIN931	2									
15	12009900	TORNILLO FE ZN M10X180MM DIN931	SCREW FE ZN M10X180MM DIN931		2			2					
15	12009818	TORNILLO FE PV M10X220MM DIN931	SCREW FE PV M10X220MM DIN931			2	2						
16	12023118	TENSOR MOTOR	ENGINE TENSOR	1	1	1	1	1					
17	12010045	TORN DIN 603 M8x35 ZINC	SCREW DIN 603 M8x35 ZN	1	1	1	1	1					
18	12114100	SENSOR MAGNITICO 12V	MAGNETIC SENSOR 12V	1	1	1	1	1			X		
19	12007773	CASQUILLO EJE	AXIS BUSHING	1									
19	12023262	CASQUILLO EJE	AXIS BUSHING		1								
19	12023256	CASQUILLO EJE	AXIS BUSHING			1							
19	12007749	CASQUILLO EJE	AXIS BUSHING				1						
19	12097355	CASQUILLO EJE	AXIS BUSHING					1					

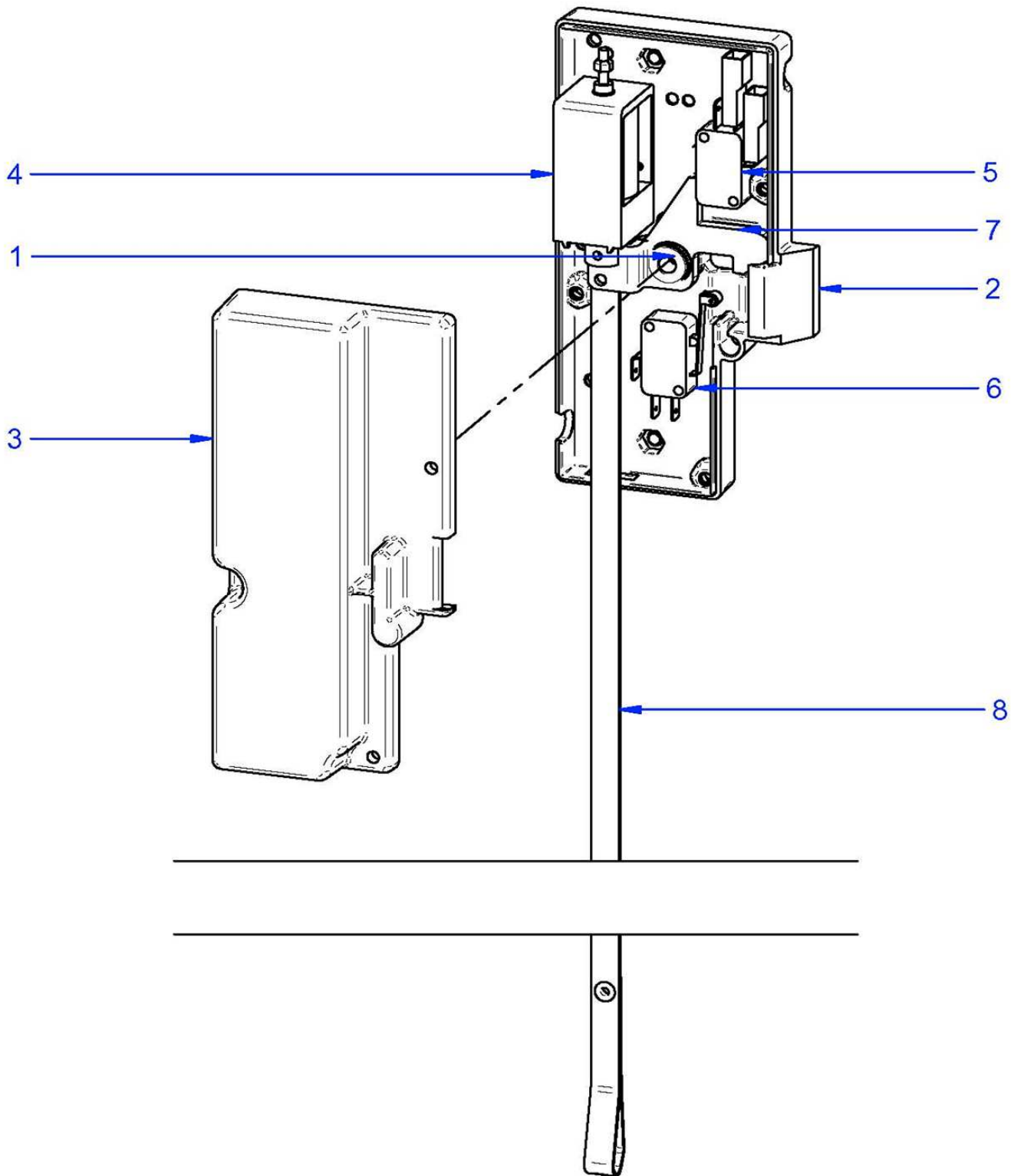


Drawing Nr.	Signature	Date	CUBETERA / TRAY	Sheet
	Iban R.	sep-15	LA-11 TP	7

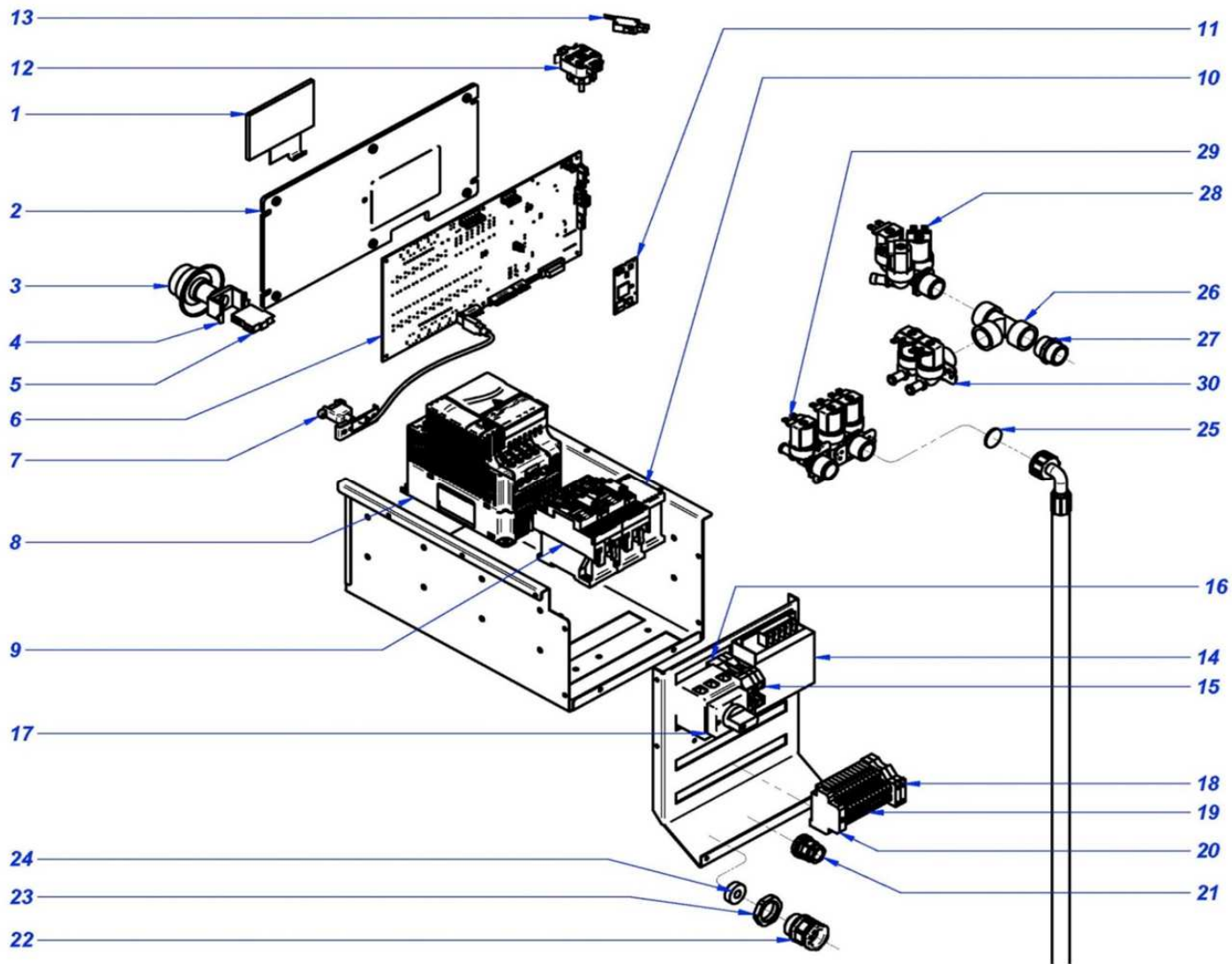


Drawing Nr.	Signature	Date	CUBETERA / TRAY	Sheet
	Iban R.	sep-15	LA-14-18-25-35 TP	8

ITEM	REFERENCIA REFERENCE	DENOMINACIÓN	DENOMINATION	LA-11 TP	LA-14 TP	LA-18 TP	LA-25 TP	LA-35 TP			RECOMMENDED	ELIMINADO ELIMINATED	INTRODUCIDO INTRODUCED
1	12044165	CONDUCTO DESAGÜE CUBA	TUB DRAINAGE PIPE	1	1	1							
1	12025016	CONDUCTO DESAGÜE CUBA	TUB DRAINAGE PIPE				1						
1	12007746	CONDUCTO DESAGÜE CUBA	TUB DRAINAGE PIPE					1					
2	12046868	SALIDA DESAGÜE 3"	DRAINAGE OUTPUT 3"	1	1	1	1	1					
3	12024404	VALVULA VACIADO	DRAINAGE VALVE	1	1	1	1	1			X		
4	12046143	CONDUCTO VALVULA-SALIDA	DRAIN VALVE-OUTPUT PIPE	1	1								
4	12046139	CONDUCTO VALVULA-SALIDA	DRAIN VALVE-OUTPUT PIPE			1							
4	12046144	CONDUCTO VALVULA-SALIDA	DRAIN VALVE-OUTPUT PIPE				1	1					
5	12121485	CAPUCHON CON ROSCA SR1126	THREADED CAP SR1126	1	1	1	1	1					
6	12023263	CONDUCTO COLECTOR-CUBA	COLLECTOR BOX-TUP PIPE	1									
6	12025016	CONDUCTO COLECTOR-CUBA	COLLECTOR BOX-TUP PIPE		1								
6	12025017	CONDUCTO COLECTOR-CUBA	COLLECTOR BOX-TUP PIPE			1	1	1					
7	12007856	COND. REBOSADERO CUBETERA	TRAY OVERFLOW PIPE	1	1								
7	12007839	COND. REBOSADERO CUBETERA	TRAY OVERFLOW PIPE			1							
7	12007825	COND. REBOSADERO CUBETERA	TRAY OVERFLOW PIPE				1						
7	12007811	COND. REBOSADERO CUBETERA	TRAY OVERFLOW PIPE					1					
8	12007772	CONDUCTO CUBETERA	TRAY PIPE	1	1								
8	12007776	CONDUCTO CUBETERA	TRAY PIPE			1							
8	12007763	CONDUCTO CUBETERA	TRAY PIPE				1						
8	12007756	CONDUCTO CUBETERA	TRAY PIPE					1					
9	12024115	MANGUERA ENTRADA AGUA	WATER INLET PIPE	1	1	1	1	1					
10	12023265	CONDUCTO REBOSADERO CUBA	TUB OVERFLOW PIPE	1									
10	12023271	CONDUCTO REBOSADERO CUBA	TUB OVERFLOW PIPE		1								
10	12024866	CONDUCTO REBOSADERO CUBA	TUB OVERFLOW PIPE			1							
10	12024833	CONDUCTO REBOSADERO CUBA	TUB OVERFLOW PIPE				1	1					
11	12025026	CONDUCTO DESAGÜE	DRAINAGE PIPE	1	1	1	1	1					
12	12007821	MANGUERA SALIDA VAPOR	STEAM OUTPUT HOSE	1	1	1	1	1					
13	12010034	TAPON CAJA COLECTOR 8	COLLECTOR BOX PLUG 8	3	3	3	3	3					
14	12010013	TAPON CAJA COLECTOR 16	COLLECTOR BOX PLUG 16	1	1	1	1	1					
15	12008049	JUNTA TAPA CAJA COLECTOR	COLLECTOR BOX COVER SEAL	1	1	1	1	1					
16	12129972	CAJA COLECTOR COMPLETA	COMPLETE COLLECTOR BOX	1	1	1	1	1					
17	12007752	CUBETA DE DETERGENTES	DETERGENTS TRAY	1	1	1	1	1					
17A	12010483	EJE TAPAS CUBETA	TRAY COVERS AXIS	2	2	2	2	2					
17B	12010403	TAPA 1	COVER 1	1	1	1	1	1					
17C	12000747	TAPA 2	COVER 2	1	1	1	1	1					
17D	12010088	TAPON CUBETA DETERGENTES	DETERGENT TRAY CAP	2	2	2	2	2					
18	12120434	TUBO SALIDA VAPOR	STEAM OUTPUT TUBE	1									
18	12128218	TAPON CUBA 1" G	TUB CAP 1" G		1	1	1	1					

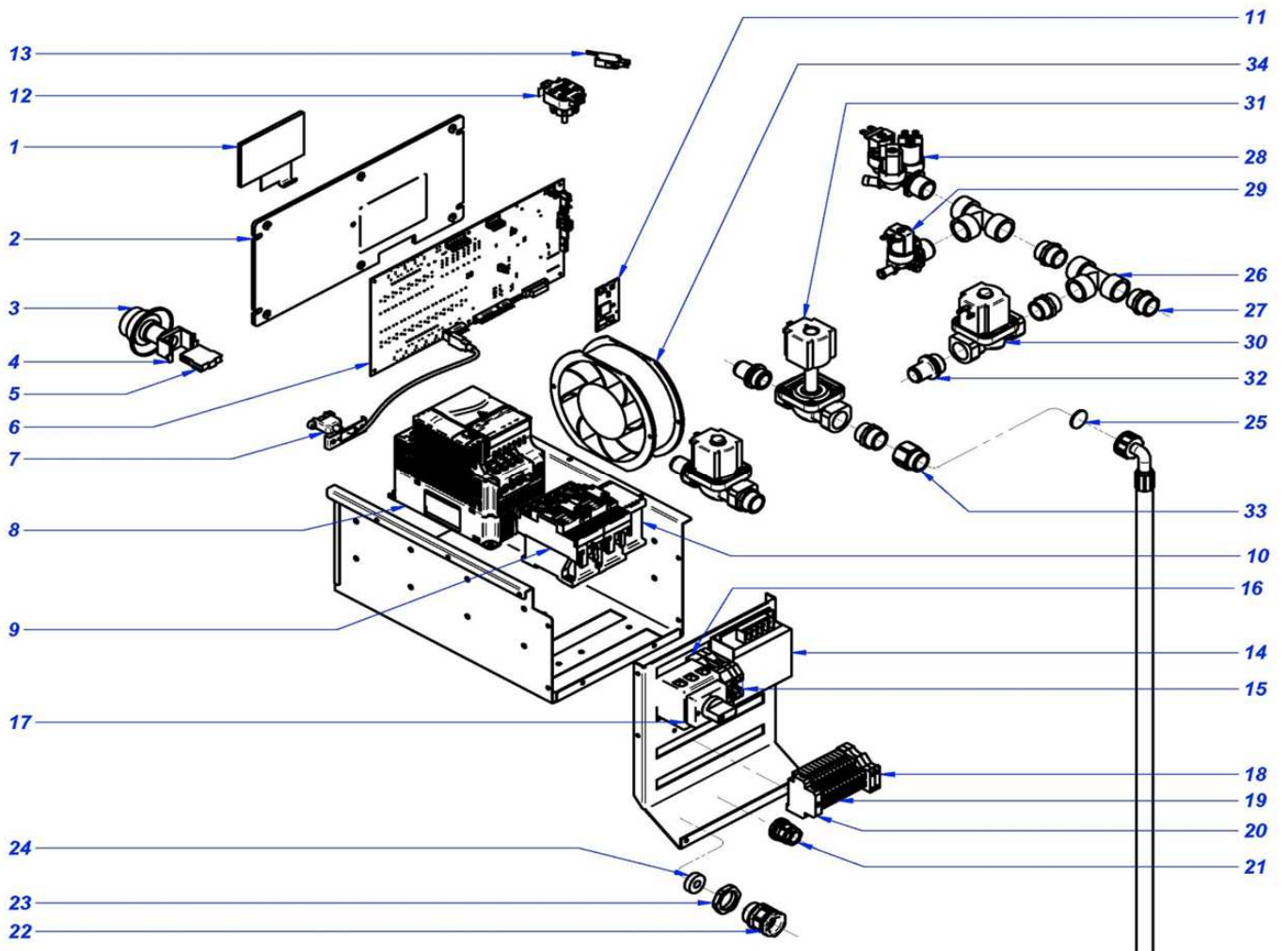


Drawing Nr.	Signature	Date	CIERRE / LOCK	Sheet
	Iban R.	sep-15	LA-11-14-18-25-35 TP	9



Drawing Nr.	Signature	Date	CUADRO ELECTRICO / ELECTRIC BOARD	Sheet
	Iban R.	dic-15	LAVADORAS LA-11-14-18 TP	12

ITEM	REFERENCIA REFERENCE	DENOMINACIÓN	DENOMINATION	LA-11 TP	LA-14 TP	LA-18 TP					RECOMMENDED	ELIMINADO ELIMINATED	INTRODUCIDO INTRODUCED
1	12119488	DISPLAY TOUCH PLUS	DISPLAY TOUCH PLUS	1	1	1					X		
2	12116834	SOPORTE MAIN BOARD	SOPORTE MAIN BOARD SUPPORT	1	1	1							
3	12120235	SETA DE EMERGENCIA	EMERGENCY STOP BUTTON	1	1	1					X		
4	12120238	SOPORTE SETA EMERGENCIA	EMERGENCY STOP SUPPORT	1	1	1					X		
5	12120237	PULSAD. 250V AC 16A 1VIA 2POS UL	250V AC 16A 1WAY 2POS UL SWITCH	1	1	1					X		
6	12120815	TARJETA PRINCIPAL TP (LIGHT)	MAIN BOARD TP (LIGHT)	1	1	1					X		
7	12133373	CABLE USB MACHO-HEMBRA	USB WIRE MALE-FEMALE	1	1	1					X		
8	12134029	VARIADOR DELTA PROGRAMADO	PROGRAMMED DELTA INVERTER	1							X		
8	12134031	VARIADOR DELTA PROGRAMADO	PROGRAMMED DELTA INVERTER		1						X		
8	12134047	VARIADOR DELTA PROGRAMADO	PROGRAMMED DELTA INVERTER			1					X		
9	12111795	CONTACTOR 230V AC 20A 4via UL	230V AC 20A 4via UL CONTACTOR	2	2	2					X		
10	12023706	RELE 230V AC 50/60HZ 16A 2VIA	RELAY 230V AC 50/60HZ 16A 2WAY	1	1	1					X		
11	12131303	MODULO PROCESADOR GRABADO	RECORDED PROCESSOR MODULE	1	1	1					X		
12	12128262	SENSOR DE PRESION 50mbar	50mbar PRESSURE SENSOR	1	1	1					X		
13	12024696	MICRORRUPTOR PUERTA	DOOR MICROSWITCH	1	1	1							
14	12116823	TRANSFORMADOR 1N 50W 240V/12V	1N 50W 240V/12V UL TRANSFORMER	1	1	1					X		
15	12024515	BORNA TIERRA 35MM	GROUND CONNECTOR 35MM	1	1	1							
16	12025143	BORNA NEUTRA AZUL 35MM2 1via UL	BLUE NEUTRAL CONNECTOR 35MM2	1	1	1							
17	12024628	INTERRUP. 63A 3VIA 2POS SECCI UL	63A 3WAY 2POS ISOLATOR SWITCH	1	1	1					X		
18	12025158	BORNA PORTAFUSIBLE 6,3A 1 VIA	FUSE HOLDER CONNECTOR 6,3A	2	2	2							
19	12025180	REGLETA 2 PISOS 24A 2,50MM2 UL	24A 2,5MM2 UL TERMINAL BLOCK	12	12	12							
20	12024199	TOPE FINAL	END STOP	1	1	1							
21	12009966	PRENSA ESTOPA DOSIFICACION	DISPENSER STUFFING BOX	1	1	1							
22	12009927	PRENSA ESTOPA PG-21	STUFFING BOX PG-21	1	1	1							
23	12009764	TUERCA ROSCA Pg 21	SCREW THREAD Pg 21	1	1	1							
24	12009994	JUNTA GOMA (GAES)	RUBBER SEAL	1	1	1							
25	12025278	FILTRO DE JUNTA N-3	JOINT FILTER N-3	2	2	2							
26	12024996	Te A 90° 3/4	T at 90° 3/4	1	1	1							
27	12024396	MANGUITO 3/4"	3/4" CONNECTION	1	1	1							
28	12023921	ELECTROVALVULA 3 VIAS	3 WAY SOLENOID VALVE	1	1	1					X		
29	12025161	ELECTROVALVULA SIMPLE	SIMPLE SOLENOID VALVE	1	1	1					X		
30	12023794	ELECTROVALVULA 2 VIAS	2 WAY SOLENOID VALVE	2	2	2					X		



Drawing Nr.	Signature	Date	CUADRO ELECTRICO / ELECTRIC BOARD	Sheet
	Iban R.	jul-16	LAVADORAS LA-25-35 TP	12

CUADRO ELECTRICO / ELECTRIC BOARD

LAMINA /
DRAWING



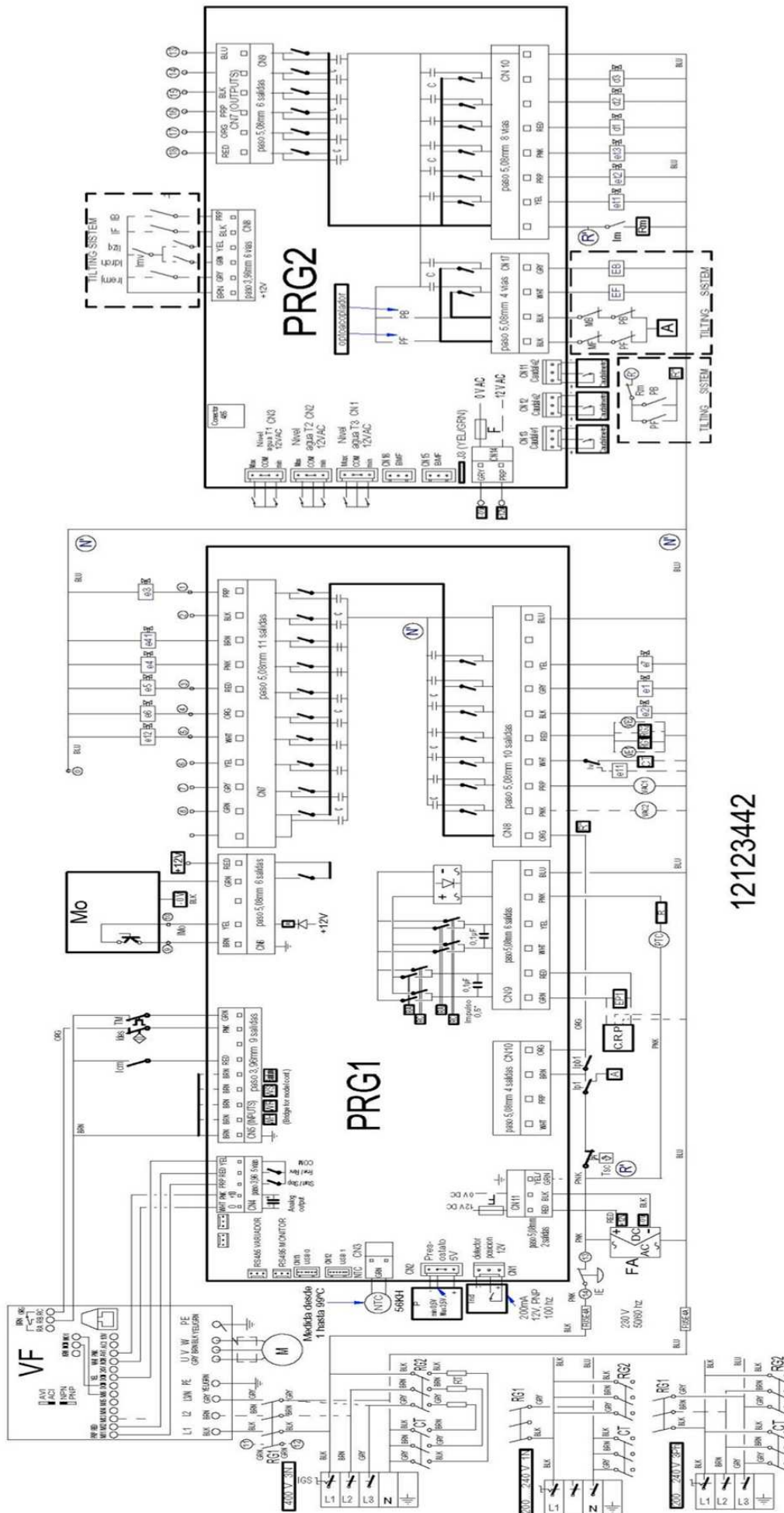
ITEM	REFERENCIA REFERENCE	DENOMINACIÓN	DENOMINATION	LA-25 TP	LA-35 TP							RECOMMENDED	ELIMINADO ELIMINATED	INTRODUCIDO INTRODUCED
1	12119488	DISPLAY TOUCH PLUS	DISPLAY TOUCH PLUS	1	1							X		
2	12116834	SOPORTE MAIN BOARD	SOPORTE MAIN BOARD SUPPORT	1	1									
3	12120235	SETA DE EMERGENCIA	EMERGENCY STOP BUTTTON	1	1							X		
4	12120238	SOPORTE SETA EMERGENCIA	EMERGENCY STOP SUPPORT	1	1							X		
5	12120237	PULSAD. 250V AC 16A 1VIA 2POS UL	250V AC 16A 1WAY 2POS UL SWITCH	1	1							X		
6	12120815	TARJETA PRINCIPAL TP (LIGHT)	MAIN BOARD TP (LIGHT)	1	1							X		
7	12133373	CABLE USB MACHO-HEMBRA	USB WIRE MALE-FEMALE	1	1							X		
8	12131875	VARIADOR DELTA PROGRAMADO	PROGRAMMED DELTA INVERTER	1								X		
8	12131879	VARIADOR DELTA PROG. (460V)	PROG. DELTA INVERTER (460V)		1							X		
8	12134048	VARIADOR DELTA PROG. (230V)	PROG. DELTA INVERTER (230V)		1							X		
9	12041014	CONTACTOR 230V AC 40A 4via UL	230V AC 40A 4via UL CONTACTOR	2	2							X		
10	12023706	RELE 230V AC 50/60HZ 16A 2VIA	RELAY 230V AC 50/60HZ 16A 2WAY	1								X		
10	12024040	CONTACTOR 230V AC 20A 4via UL	230V AC 20A 4via UL CONTACTOR		1							X		
11	12131303	MODULO PROCESADOR GRABADO	RECORDED PROCESSOR MODULE	1	1							X		
12	12128262	SENSOR DE PRESION 50mbar	50mbar PRESSURE SENSOR	1	1							X		
13	12024696	MICRORRUPTOR PUERTA	DOOR MICROSWITCH	1	1									
14	12116823	TRANSFORMADOR 1N 50W 240V/12V	1N 50W 240V/12V UL TRANSFORMER	1	1							X		
15	12024515	BORNA TIERRA 35MM	GROUND CONNECTOR 35MM	1	1									
16	12025143	BORNA NEUTRA AZUL 35MM2 1via UL	BLUE NEUTRAL CONNECTOR 35MM2	1	1									
17	12024628	INTERRUP. 63A 3VIA 2POS SECCI UL	63A 3WAY 2POS ISOLATOR SWITCH	1	1							X		
18	12025158	BORNA PORTAFUSIBLE 6,3A 1 VIA	FUSE HOLDER CONNECTOR 6,3A	2	2									
19	12025180	REGLETA 2 PISOS 24A 2,50MM2 UL	24A 2,5MM2 UL TERMINAL BLOCK	12	12									
20	12024199	TOPE FINAL	END STOP	1	1									
21	12009966	PRENSA ESTOPA DOSIFICACION	DISPENSER STUFFING BOX	1	1									
22	12009927	PRENSA ESTOPA PG-21	STUFFING BOX PG-21	1	1									
23	12009764	TUERCA ROSCA Pg 21	SCREW THREAD Pg 21	1	1									
24	12009994	JUNTA GOMA (GAES)	RUBBER SEAL	1	1									
25	12025278	FILTRO DE JUNTA N-3	JOINT FILTER N-3	2	2									
26	12024996	Te A 90° 3/4	T at 90° 3/4	2	2									
27	12024396	MANGUITO 3/4"	3/4" CONNECTION	5	5									
28	12023921	ELECTROVALVULA 3 VIAS	3 WAY SOLENOID VALVE	1	1							X		
29	12025161	ELECTROVALVULA SIMPLE	SIMPLE SOLENOID VALVE	1	1							X		
30	12023551	ELECTROVALVULA SIMPLE	SIMPLE SOLENOID VALVE	3	3							X		
31	12024622	BOBINADO EV SIMPLE	SIMPLE SOLENOID VALVE COIL	3	3							X		
32	12024526	EMPALME	FITTING	3	3									
33	12025062	RACOR PORTA FILTRO 3/4	RACOR FILTER HOLDER 3/4	1	1									
34	12024106	VENTILADOR 230V AC 1N 36KW	FAN 230V AC 1N 36KW		1							X		

RECOMENDADOS / RECOMMENDED

LAMINA / DRAWING



ITEM	REFERENCIA REFERENCE	DENOMINACIÓN	DENOMINATION	LAMINA / DRAWING					CONJUNTO FUNCIONAL / FUNCTIONAL PART
				LA-11 TP	LA-14 TP	LA-18 TP	LA-25 TP	LA-35 TP	
10	12113512	ADHESIVO FAGOR TP	FAGOR TP ADHESIVE	1	1	1	1	1	MUEBLE / CABINET
11	12113854	ADHESIVO ON/OFF FAGOR	FAGOR ON/OFF ADHESIVE	1	1	1	1	1	MUEBLE / CABINET
5	12025077	AMORTIGUADOR 120N SUSPA	DAMPER 120N	4		8	8		ARMAZON / FRAME
5	12025078	AMORTIGUADOR 90N SUSPA	DAMPER 90N		8				ARMAZON / FRAME
5	12024980	AMORTIGUADOR 140N SUSPA	DAMPER 140					12	ARMAZON / FRAME
16	12025036	SONDA 64KOHMIO NTC	64KOHM NTC PROBE	1	1	1	1	1	CUBA / TUB
32	12096597	LIMITADOR DE SEGURIDAD	SAFETY THERMOSTAT	1	1	1	1	1	CUBA / TUB
29	12023340	VALVULA VAPOR 1/2 50/60HZ	STEAM VALVE 1/2 50/60HZ	1	1	1			CUBA / TUB
29	12024331	VALVULA VAPOR 3/4" 60HZ.	STEAM VALVE 3/4 60HZ				1	1	CUBA / TUB
18	12096226	RESIST. CALENT. 2000W	HEATING RESISTOR 2000W	3					CUBA / TUB
18	12096023	RESIST. CALENT. 3000W	HEATING RESISTOR 3000W		3				CUBA / TUB
18	12096051	RESIST. CALENT. 4000W	HEATING RESISTOR 4000W			3			CUBA / TUB
18	12041359	RESIST. CALENT. 6000W	HEATING RESISTOR 6000W				3		CUBA / TUB
18	12092855	RESIST. CALENT. 7000W	HEATING RESISTOR 7000W					3	CUBA / TUB
7	12007767	JUNTA PUERTA	DOOR SEAL	1					FR. CUBA / TUB FRONT
7	12023284	JUNTA PUERTA	DOOR SEAL		1	1	1		FR. CUBA / TUB FRONT
7	12048069	JUNTA PUERTA	DOOR SEAL					1	FR. CUBA / TUB FRONT
16	12119770	CIERRE COMPLETO 2015	COMPLETE LOCK 2015	1	1	1	1	1	FR. CUBA / TUB FRONT
3	12023273	CORREA POLY-V PJ 1301 (8 DIENTES)	BELT POLY-V PJ 1301 (8 TEETH)	1					TAMBOR / DRUM
3	12023269	CORREA POLY-V PJ 1600 (8 DIENTES)	BELT POLY-V PJ 1600 (8 TEETH)		1				TAMBOR / DRUM
3	12023267	CORREA POLY-V PJ 1663 (8 DIENTES)	BELT POLY-V PJ 1663 (8 TEETH)			1			TAMBOR / DRUM
3	12023252	CORREA POLY-V PJ 1854 (12 DIENT.)	BELT POLY-V PJ 1854 (12 TEETH)				1		TAMBOR / DRUM
3	12104292	CORREA POLY-V PJ 2083 (12 DIENT.)	BELT POLY-V PJ 2083 (12 TEETH)					1	TAMBOR / DRUM
13	12023197	MOTOR 230V AC 3N 750W 2800RPM	ENGINE 230V AC 3N 750W 2800RPM	1					TAMBOR / DRUM
13	12023195	MOTOR 230V AC 3N 1100W 2800RPM	ENGINE 230V AC 3N 1100W 2800RPM		1				TAMBOR / DRUM
13	12023194	MOTOR 230V AC 3N 2200W 2800RPM	ENGINE 230V AC 3N 2200W 2800RPM			1			TAMBOR / DRUM
13	12023189	MOTOR 230V AC 3N 3KW 2800RPM	ENGINE 230V AC 3N 3KW 2800RPM				1		TAMBOR / DRUM
13	12046405	MOTOR 230V AC 3N 4KW 1500RPM	ENGINE 230V AC 4N 3KW 1500RPM					1	TAMBOR / DRUM
18	12114100	SENSOR MAGNITICO 12V	MAGNETIC SENSOR 12V	1	1	1	1	1	TAMBOR / DRUM
3	12024404	VALVULA VACIADO	DRAINAGE VALVE	1	1	1	1	1	CUBETERA / TRAY
1	12119488	DISPLAY TOUCH PLUS	DISPLAY TOUCH PLUS	1	1	1	1	1	ELECTRICO / ELECTRIC
3	12120235	SETA DE EMERGENCIA	EMERGENCY STOP BUTTON	1	1	1	1	1	ELECTRICO / ELECTRIC
4	12120238	SOPORTE SETA EMERGENCIA	EMERGENCY STOP SUPPORT	1	1	1	1	1	ELECTRICO / ELECTRIC
5	12120237	PULSAD. 250V AC 16A 1VIA 2POS UL	250V AC 16A 1WAY 2POS UL SWITCH	1	1	1	1	1	ELECTRICO / ELECTRIC
6	12120815	TARJETA PRINCIPAL TP (LIGHT)	MAIN BOARD TP (LIGHT)	1	1	1	1	1	ELECTRICO / ELECTRIC
7	12119961	CABLE USB MACHO-HEMBRA	USB WIRE MALE-FEMALE	1	1	1	1	1	ELECTRICO / ELECTRIC
8	12134029	VARIADOR DELTA PROGRAMADO	PROGRAMMED DELTA INVERTER	1					ELECTRICO / ELECTRIC
8	12134031	VARIADOR DELTA PROGRAMADO	PROGRAMMED DELTA INVERTER		1				ELECTRICO / ELECTRIC
8	12134047	VARIADOR DELTA PROGRAMADO	PROGRAMMED DELTA INVERTER			1			ELECTRICO / ELECTRIC
8	12131875	VARIADOR DELTA PROGRAMADO	PROGRAMMED DELTA INVERTER				1		ELECTRICO / ELECTRIC
8	12131879	VARIADOR DELTA PROG. (460V)	PROG. DELTA INVERTER (460V)					1	ELECTRICO / ELECTRIC
8	12134048	VARIADOR DELTA PROG. (230V)	PROG. DELTA INVERTER (230V)					1	ELECTRICO / ELECTRIC
9	12111795	CONTACTOR 230V AC 20A 4via UL	230V AC 20A 4via UL CONTACTOR	2	2	2			ELECTRICO / ELECTRIC
9	12041014	RELE 230V AC 50/60HZ 40A 2VIA	RELAY 230V AC 50/60HZ 40A 2WAY				2	2	ELECTRICO / ELECTRIC
10	12023706	RELE 230V AC 50/60HZ 16A 2VIA	RELAY 230V AC 50/60HZ 16A 2WAY	1	1	1	1		ELECTRICO / ELECTRIC
10	12024040	CONTACTOR 230V AC 20A 4via UL	230V AC 20A 4via UL CONTACTOR					1	ELECTRICO / ELECTRIC
11	12131303	MODULO PROCESADOR GRABADO	RECORDED PROCESSOR MODULE	1	1	1	1	1	ELECTRICO / ELECTRIC
12	12128262	SENSOR DE PRESION 50mbar	50mbar PRESSURE SENSOR	1	1	1	1	1	ELECTRICO / ELECTRIC
14	12116823	TRANSFORMADOR 1N 50W 240V/12V	1N 50W 240V/12V UL TRANSFORMER	1	1	1	1	1	ELECTRICO / ELECTRIC
17	12024628	INTERRUP. 63A 3VIA 2POS SECCI UL	63A 3WAY 2POS ISOLATOR SWITCH	1	1	1	1	1	ELECTRICO / ELECTRIC
28	12023921	ELECTROVALVULA 3 VIAS	3 WAY SOLENOID VALVE	1	1	1	1	1	ELECTRICO / ELECTRIC
29	12025161	ELECTROVALVULA SIMPLE	SIMPLE SOLENOID VALVE	1	1	1	1	1	ELECTRICO / ELECTRIC
30	12023794	ELECTROVALVULA 2 VIAS	2 WAY SOLENOID VALVE	2	2	2			ELECTRICO / ELECTRIC
30	12023551	ELECTROVALVULA SIMPLE	SIMPLE SOLENOID VALVE				3	3	ELECTRICO / ELECTRIC
31	12024622	BOBINADO EV SIMPLE	SIMPLE SOLENOID VALVE COIL				3	3	ELECTRICO / ELECTRIC
34	12024106	VENTILADOR 230V AC 1N 36KW	FAN 230V AC 1N 36KW					1	ELECTRICO / ELECTRIC
	12120274	CABLEADO PTC+R UL	PTC+R UL WIRING	1	1	1	1	1	VIARIOS / VARIOUS



12123442

Drawing Nr.	Signature	Date	ESQUEMA TEORICO / THEORIC. SCHEME	Sheet
	Iban R.	dic-15	LA-11-14-18-25-35 TP	13



Simb / LENG	ESPAÑOL	ENGLISH	FRANÇAIS	DEUTSCH	ITALIANO
CT1, CT2	Contactor Calentamiento	Heating Contactor	Contacteur Chauffe	Heizschutz	Contatore Riscaldamento
CVF	Contactor Variador	Converter Contactor	Convertisseur	Schutz	Contatore Convertitore
5	Dosificador Neutralizante.	Neutralizer feeder	Doseur Neutralisant	Dosier	Dosatore Neutralizzante
6	Dosificador Jabon liquido.	Liquid soap feeder	Doseur lessive liquide	Dosier	Dosatore sapone liquido
7	Dosificador aditivos.	Additive feeder	Doseur additifs	Dosier	Dosatore additiv
D.T.	Display/Teclado	Display/Keyboard	Ecran/Clavier	Display/Tastatur	Display/Tastiera
e1	Electro válvula agua Fria.	Cold water electrically operated valve	Electrovanne eau Froide	Electroventil Kaltwasser	Electrovalvola acqua Fredda
e2	Electro válvula agua Caliente	Hot water electrically operated valve	Electrovanne eau Chaud	Electroventil Warmwasser	Electrovalvola acqua Calda
e3	Electro válvula Prelavado.	Pre-wash electrically operated valve	Electrovanne Pré-lavage	Electroventil Vorwaschen	Electrovalvola Prelavaggio
e4, e41	Electro válvula Lavado.	Wash electrically operated valve	Electrovanne Lavage	Electroventil Hauptwaschgang	Electrovalvola Lavaggio
e5	Electro válvula Lejia.	Bleach electrically operated valve	Electrovanne Eau de Javel	Electroventil Bleiche	Electrovalvola Candeggina
e6	Electro válvula Suavizante.	Fabric softener electrically operated valve	Electrovanne Assouplissant	Electroventil Weichspüler	Electrovalvola Ammorbidente
e7	Electro válvula agua Descalcificada	Delimed water electrically operated valve	Electrovanne eau Adoucie	Electroventil entkalktes Wasser	Electrovalvola acqua Decalcificata
e11	Electro válvula Vapor.	Steam electrically operated valve	Electrovanne Vapeur	Electroventil Dampf	Equilibrado Vapor
EB	Electro válvula de aire Basculación Trasera	Air Valve of the Back Tilling	Souapepe à air de l'inclinaison arrière	Luftventil des rückseitigen Kippens	Valvola per aria di inclinazione posteriore
EF	Electro válvula de aire Basculación Frontal	Air Valve of the Front Tilling	Souapepe à air de l'inclinaison avant	Luftventil des vorderen Kippens	Valvola per aria di inclinazione anteriore
EP	Electromán de Puerta.	Door electric magnet	Électromagnet de Porte	Elektromagnet Gerätetur	Elektromagnete Porta
FI	Fusible.	Interference filter	Interference filter	Störungsfilter	Filtro Interferenze
F	Pulsador Parada de emergencia.	Emergency stop push button	Bouton-pousoir Arrêt d'urgence	Sicherung	Fusibile
IE	Interruptor general.	General switch	Interrupteur général	Not-Aus-Taster	Pulsante Arresto di emergenza
IG	Interruptor General de seguridad.	General safety switch	Interrupteur général	Hauptschalter	Interruptore generale
IGS	Interruptor Basculación Trasero del Mando.	Back Tilling Switch of Control	Interrupteur Général	Hauptschalter	Interruptore generale di sicurezza
IB	Interruptor Rotacion a Derechas del Mando.	Switch of Spins to the Right of Control	Commutateur de rotation arrière de commande	Rückseitiger Kippenschalter der Steuerung	Interruptore di inclinazione posteriore di controllo
Irbh	Interruptor de desequilibrio.	Unbalance switch	Commutateur des rotations à la droite de la commande	Schalter von Drehbeschleunigungen auf der rechten Seite der Steuerung	Interruptore delle rotazioni alla destra di controllo
IF	Interruptor Basculación Frontal Mando.	Front Tilling Switch of Control	Commutateur de rotation gauche de commande	Ungleichgewichtsschalter	Interruptore di equilibrio
IF2	Interruptor Rotacion a Izquierdas Mando	Switch of Left Spin of Control	Commutateur de rotation gauche de commande	Front Tilling Switch of Control	Interruptore di inclinazione anteriore di controllo
Im	Interruptor Movimiento / parada / Mando	Stopped Motion Switch	Détecteur Darrêt	Schalter der linken Drehbeschleunigung der Steuerung	Interruptore della rotazione di sinistra di controllo
Imo	Interruptor Monedero.	Coin slide switch	Interrupteur Monnayeur	Münzschalter	Interruptore Portamonete
Ip	Interruptor puerta Cerrada.	Closed door switch	Interrupteur porte Fermée	Schalter Tür geschlossen	Interruptore porta Chiusa
Ipb	Interruptor puerta Bloqueada.	Door lock switch	Interrupteur porte verrouillée	Schalter Tür verriegelt	Interruptore porta bloccata
Irbmj	Interruptor de Remojo del Mando	Soaking Switch of Control	Commutateur de trempage de commande	Tränkender Schalter der Steuerung	Interruptore d'inclinazione di controllo
Isc	Interruptor seguridad Temperatura	Hi-limit Thermostat	Thermostat Limiteur	Grenzthermostat	Termostato Limitatore
Iv	Interruptor Vapor	Steam Switch	Commutateur de vapeur	Dampf-Schalter	Interruptore del vapore
M	Motor.	Motor	Motor	Motor	Motore
MB	Interruptor seguridad Basculación Trasero.	Back Tilling Hi-limit Switch	Back Tilling Hi-limit Switch	Motor	
MF	Interruptor seguridad Basculación Frontal.	Front Tilling Hi-limit Switch	Front Tilling Hi-limit Switch	Motor	
Mfo	Monedero.	Coin slot	Monnayeur	Münzvorrichtung	Portamonete
NTC	Sensor temperatura.	Temperature sensor	Capteur température	Temperatursensor	Sensore temperatura
PB	Presostato Basculación Trasero	Back Tilling Air Pressure Low-Limit	Front Tilling Air Pressure Low-Limit	Water Level Switch	
PF	Presostato Basculación Frontal	Front Tilling Air Pressure Low-Limit	Water Level Switch	Programmer Circuit	
P, P2	Presostato Nivel de agua	Water Level Switch	Programmer Circuit	PTC	
PRG	Circuito Programador.	Programmer Circuit	Circuit Programmeur	Kreislauf Programmier-richtung	Circuito Programatore
PTC	PTC.	PTC	PTC	PTC	PTC
Rb	Rele Basculación Trasero	Back Tilling Relay	Relais Tilling Relay	Rele Tilling Relay	
Rf	Rele Basculación Frontal	Front Tilling Relay	Relais Tilling Relay	Rele Tilling Relay	
Rm	Rele movimiento / Parada	Stopped Motion Relay	Relais Détecteur Darrêt	Rele Detecteur Darrêt	
Rp	Rele Puerta	Closed door Relay	Relais porte Fermée	Rele porte Fermée	
Rpb	Rele Puerta Bloqueada	Door lock Relay	Relais porte verrouillée	Rele porte verrouillée	
RT	Resistencia Calentamiento.	Heating Resistors	Resistance Chauffe	Widerstand Aufheizung	Resistenza Riscaldamento
TL	Limitador Temperatura	Hi-limit Thermostat	Thermostat Limiteur	Thermostat	Termostato Limitatore
Tm	Térmico de Motor.	Motor hot-wire	Thermique du Moteur	Motorwärmeschalter	Térmico del Motore
Trf	Transformador	Transformer	Transformateur	Transformator	Transformatore
Trf SIN	Transformador Versión sin Neutro.	Transformer Version without Neutral	Transformateur Version sans Neutre	Transformator Modell ohne Neutralstellung	Transformatore Versione senza Neutro
VAC, VAC2	Válvula Vaciado	Emptying valve	Vanne Vidange	Ablassventil	Valvola Scarico
VE, VE1, VE2	Ventilador.	Fan	Ventilateur	Ventilator	Ventola
VF	Convertidor de Frecuencia.	Frequency converter	Convertisseur de Fréquence	Frequenzumwandler	Convertitore di Frequenza
VM	Ventilador Motor.	Fan motor	Ventilateur Moteur	Ventilator Motor	Ventola Motore
1...8	Puntos conexión dosificadores.	Feeder connection points	Points raccordement doseurs	Anschlussstellen Dosiervorrichtungen	Punti connessione dosatori
9 - 10	Entrada de la central de pago 24V =	Central Entrance of payment	Entrée de la central de paiement	Central Entrance of Payment	
11 - 12	Salida hacia la central de pago	Exit towards Central of Payment	Sortie vers la central de paiement	Exit towards Central of Payment	
COLOR	COLORES	COLOURS	COULEURS	FARBEN	COLORE
a	Azul	Blue	Bleu	Blaue	Blu
am	Amarillo	Yellow	Jaune	Gelb	Giallo
am/ve	Amarillo/verde	Yellow / green	Jaune / vert	Gelb/grün	Giallo/verde
b	Bianco	White	Blanc	Weiß	Bianco
g	Gris	Grey	Gris	Grau	Grigio
m	Marron	Brown	Marron	Braun	Marrone
n	Negro	Black	Noir	Schwarz	Nero
na	Naranja	Orange	Orange	Orange	Arancio
r	Rojol	Red	Rouge	Rot	Rosso
rs	Rosa	Pink	Rose	Rosa	Rosa
ve	Verde	Green	Vert	Vert	Verde
vi	Violeta	Purple	Violet	Violet	Violeta
					P623014000