

DESPIECE TÉCNICO TECHNICAL PARTS

Lavadoras
Washer extractors



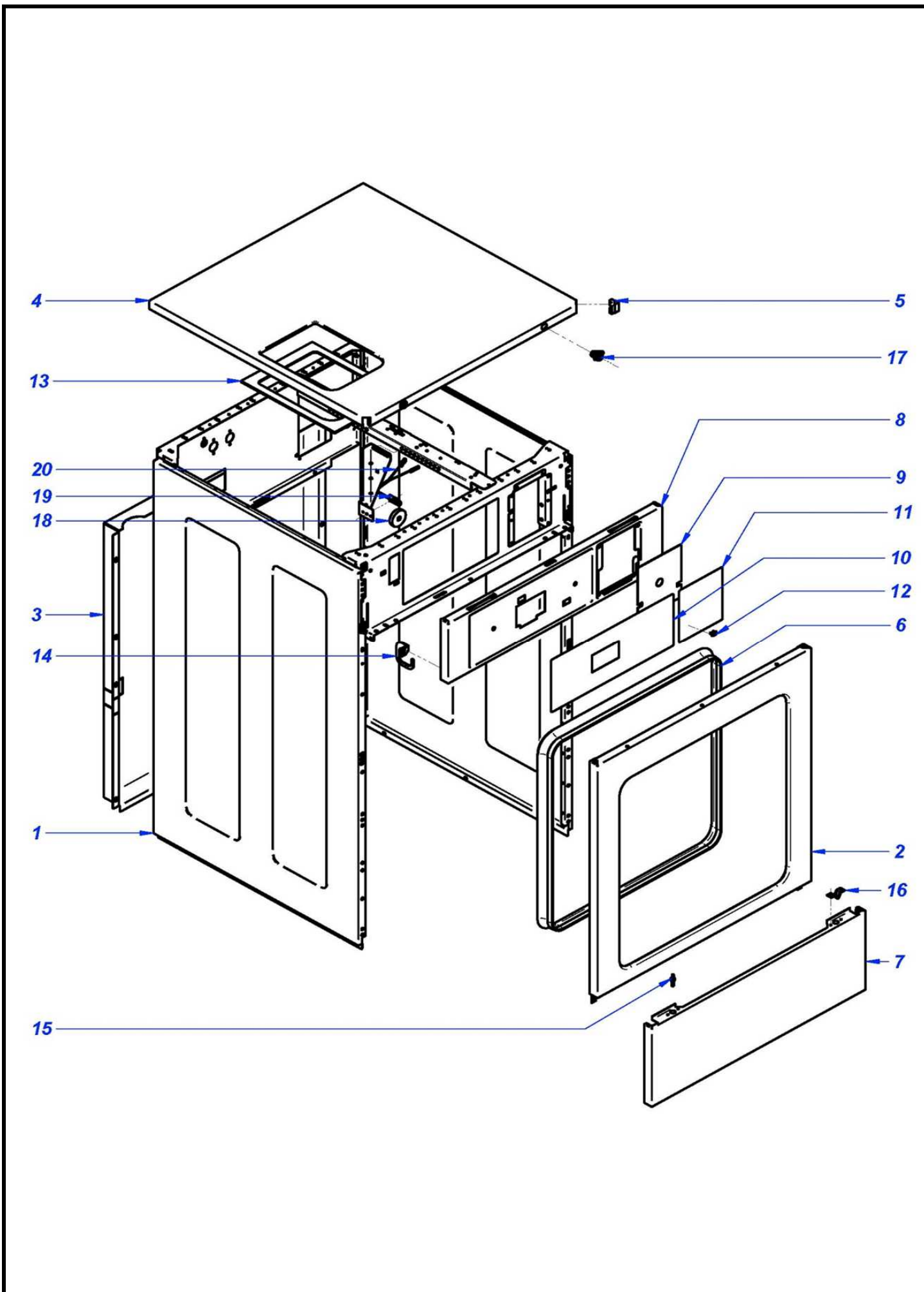
MODELOS
LA-11-14-18-25-35 TP

Diciembre 2015 December
Revisado Julio 2016 July revised



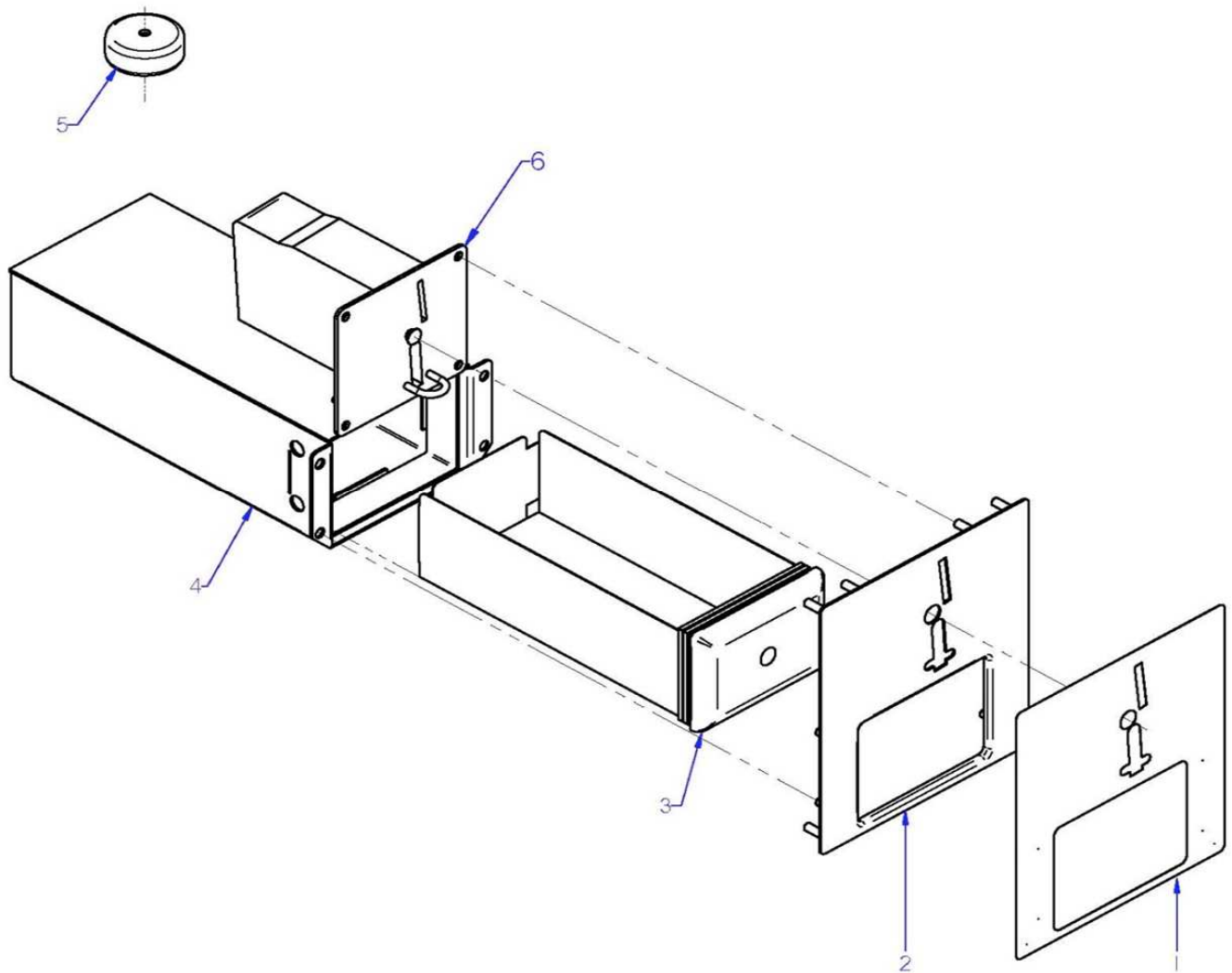
Together we evolve



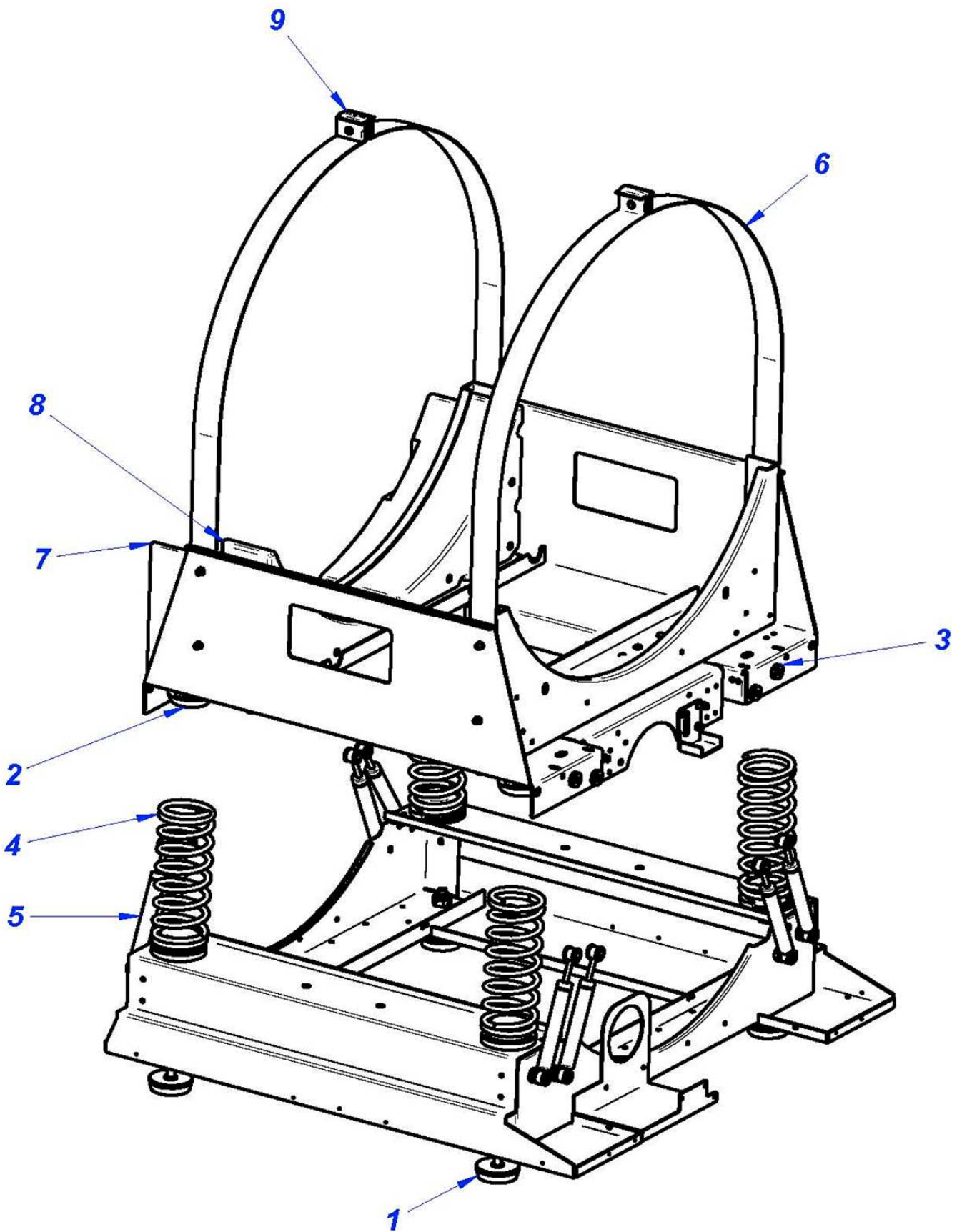


| Drawing Nr. | Signature | Date | MUEBLE / CABINET | Sheet |
|-------------|-----------|--------|----------------------|-------|
| | Iban R. | dic-15 | LA-11-14-18-25-35 TP | 1 |

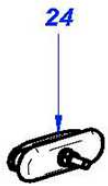
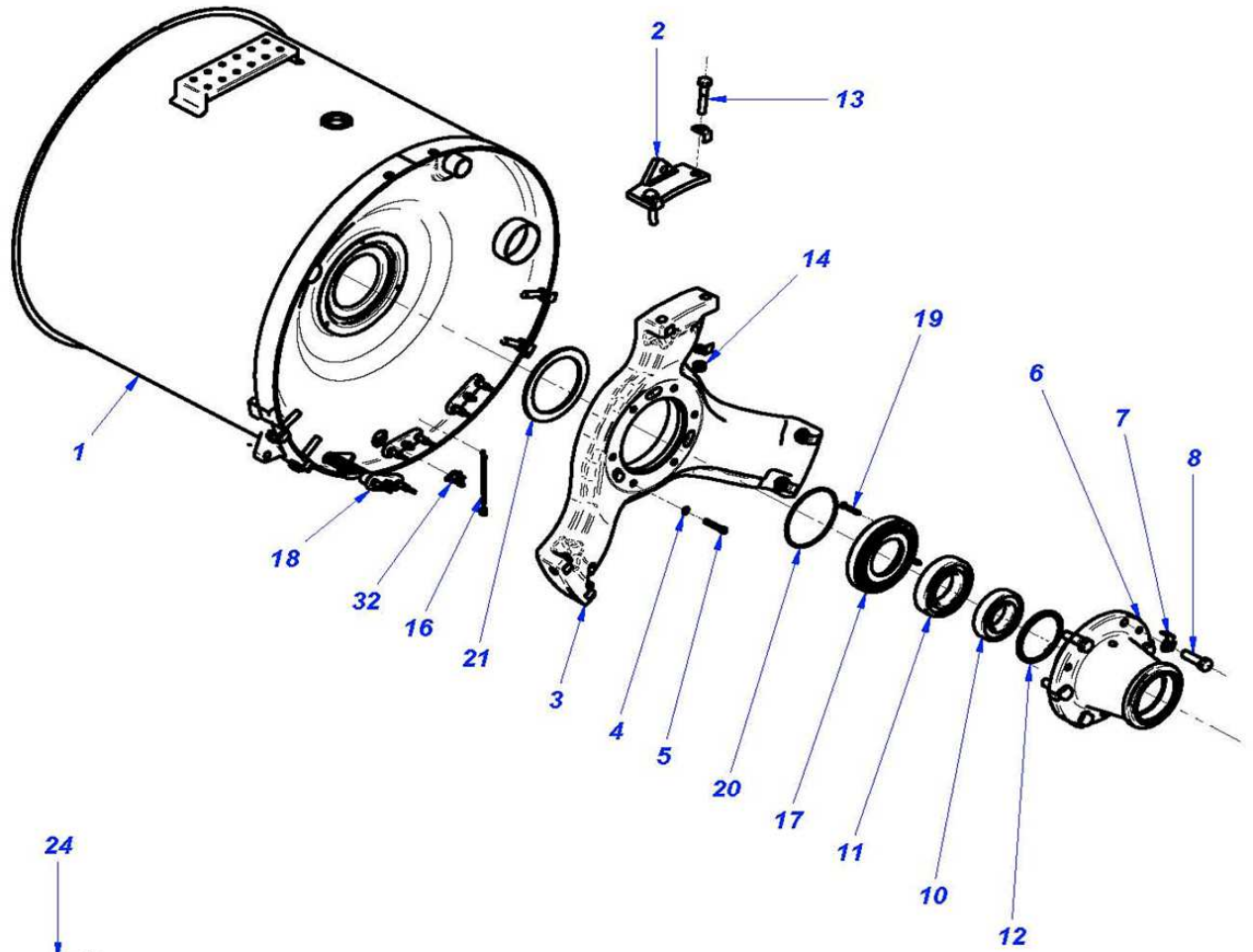




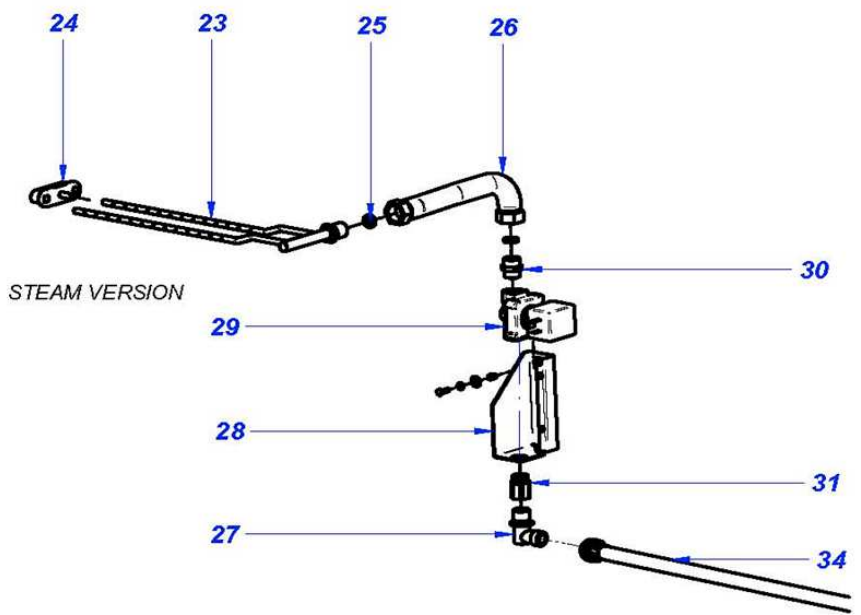
| Drawing Nr. | Signature | Date | MONEDERO / KIT COIN | Sheet |
|-------------|-----------|--------|----------------------|-------|
| | Iban R. | dic-15 | LA-11-14-18-25-35 TP | 2 |



| | | | | |
|-------------|-----------|--------|----------------------|-------|
| Drawing Nr. | Signature | Date | ARMAZON / FRAME | Sheet |
| | Iban R. | dic-15 | LA-11-14-18-25-35 TP | 3 |



HOT WATER VERSION

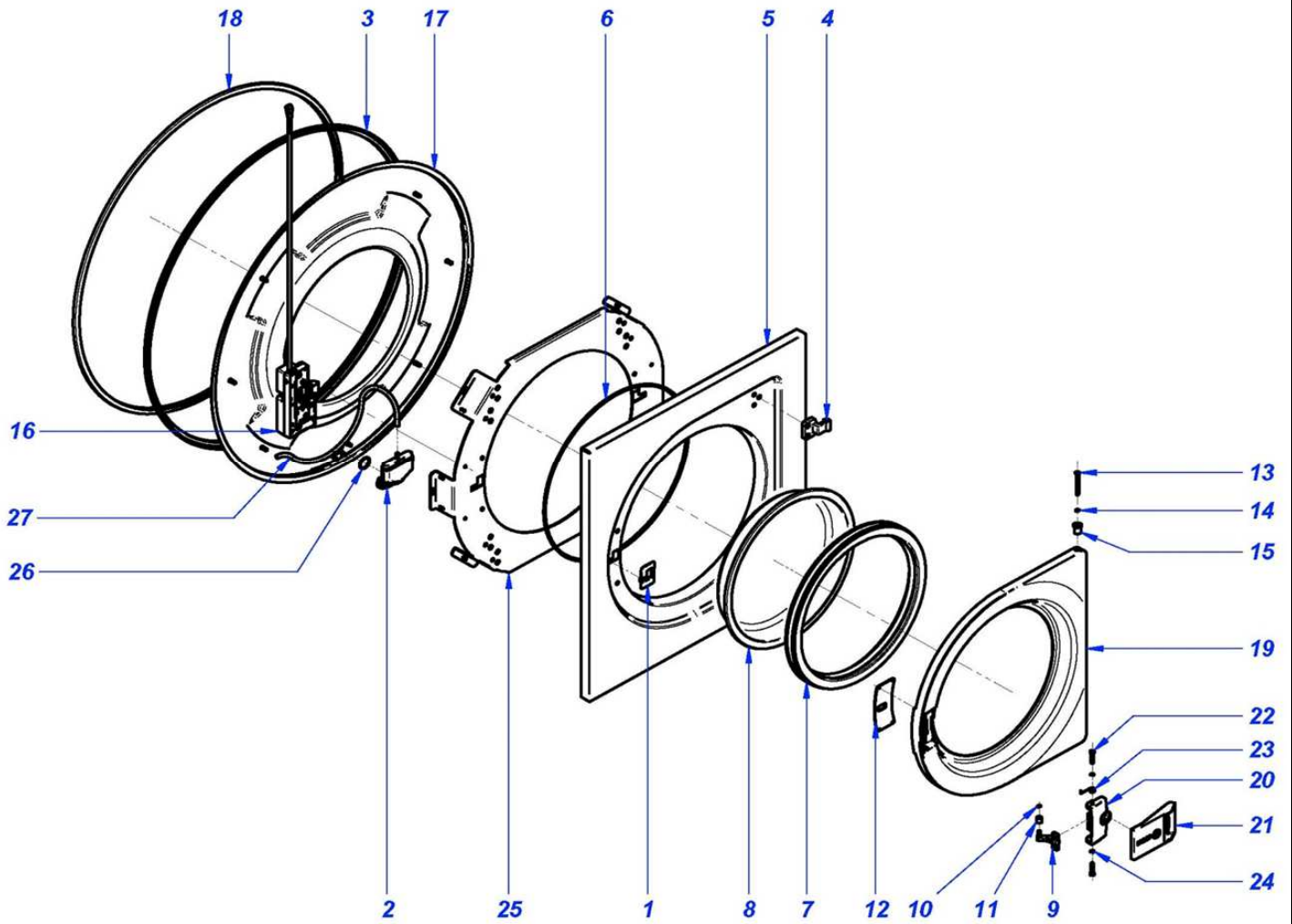


STEAM VERSION

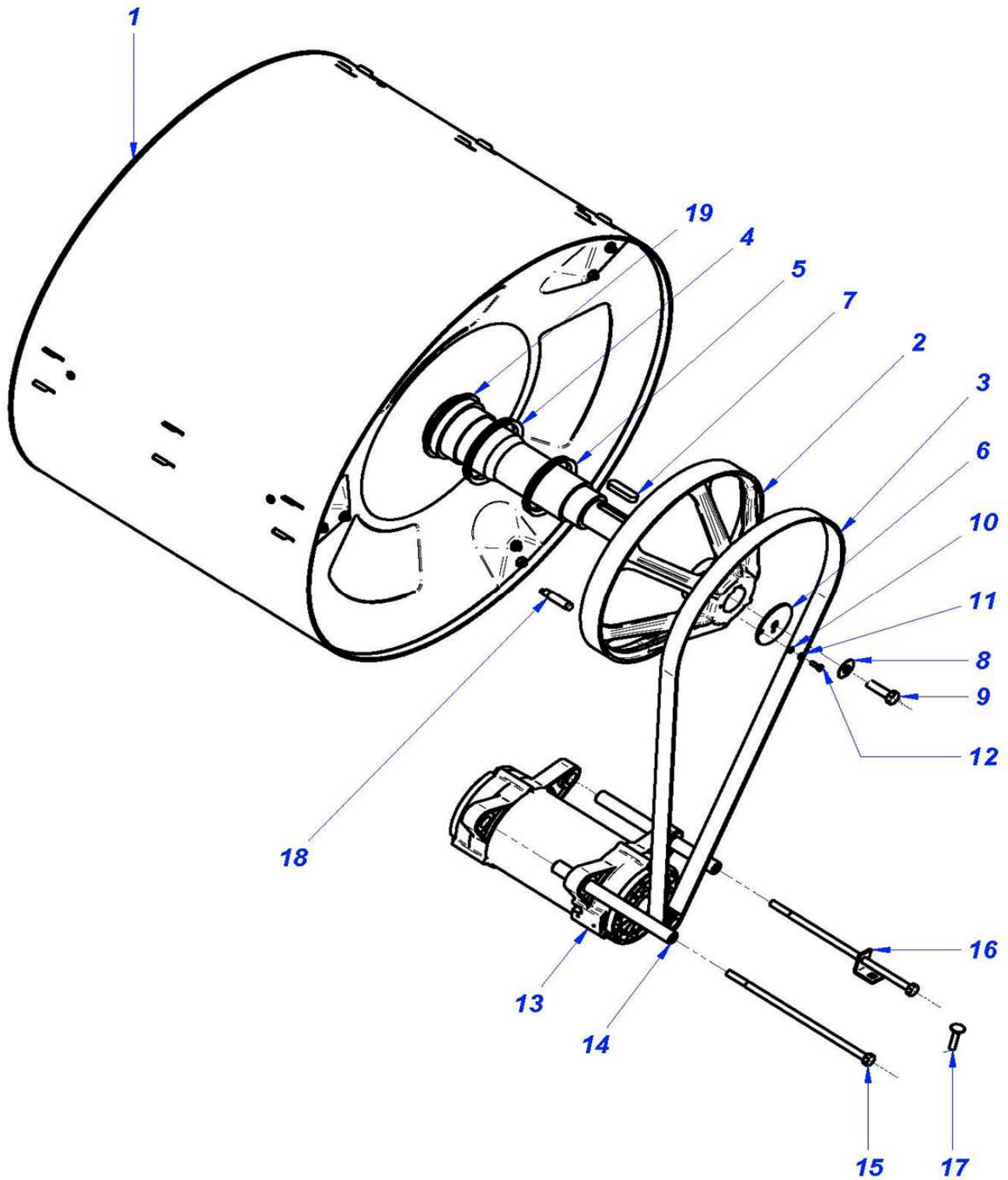
| | | | | |
|-------------|-----------|--------|----------------------|-------|
| Drawing Nr. | Signature | Date | CUBA / TUB | Sheet |
| | Iban R. | sep-15 | LA-11-14-18-25-35 TP | 3 |



| ITEM | REFERENCIA REFERENCE | DENOMINACIÓN | DENOMINATION | LA-11 TP | LA-14 TP | LA-18 TP | LA-25 TP | LA-35 TP | | | RECOMMENDED | ELIMINADO ELIMINATED | INTRODUCIDO INTRODUCED |
|------|-------------------------|---------------------------------|-------------------------------|----------|----------|----------|----------|----------|--|--|-------------|-------------------------|---------------------------|
| 1 | 12121090 | CUBA COMPLETA | COMPLETE TUB | 1 | | | | | | | | | |
| 1 | 12121068 | CUBA COMPLETA | COMPLETE TUB | | 1 | | | | | | | | |
| 1 | 12121182 | CUBA COMPLETA | COMPLETE TUB | | | 1 | | | | | | | |
| 1 | 12126191 | CUBA COMPLETA | COMPLETE TUB | | | | 1 | | | | | | |
| 1 | 12097297 | CUBA COMPLETA | COMPLETE TUB | | | | | 1 | | | | | |
| 2 | 12023348 | APOYO TORNILLOS 8 | SCREW SUPPORT 8 | 3 | | | | | | | | | |
| 2 | 12023329 | APOYO TORNILLOS 13 | SCREW SUPPORT 13 | | 3 | | | | | | | | |
| 2 | 12023317 | APOYO TORNILLOS 18 | SCREW SUPPORT 18 | | | 3 | | | | | | | |
| 2 | 12023327 | APOYO TORNILLOS 25 | SCREW SUPPORT 25 | | | | 3 | | | | | | |
| 2 | 12097420 | APOYO TORNILLOS 35 | SCREW SUPPORT 35 | | | | | 3 | | | | | |
| 3 | 12023200 | REFUERZO FONDO CUBA | TUB BASE REINFORCEMENT | 1 | | | | | | | | | |
| 3 | 12023193 | REFUERZO FONDO CUBA | TUB BASE REINFORCEMENT | | 1 | | | | | | | | |
| 3 | 12023188 | REFUERZO FONDO CUBA | TUB BASE REINFORCEMENT | | | 1 | | | | | | | |
| 3 | 12023187 | REFUERZO FONDO CUBA | TUB BASE REINFORCEMENT | | | | 1 | | | | | | |
| 3 | 12046408 | REFUERZO FONDO CUBA | TUB BASE REINFORCEMENT | | | | | 1 | | | | | |
| 4 | 12009868 | ARANDELA PLANA 6MM DIN125 | FLAT WASHER 6MM DIN125 | 3 | 3 | 3 | 5 | 5 | | | | | |
| 5 | 12010106 | TORNILLO DIN 912 M6X35 | SCREW DIN 912 M6X35 | 3 | 3 | 3 | 5 | 5 | | | | | |
| 6 | 12095450 | SOPORTE RODAMIENTOS | BEARING SUPPORT | 1 | | | | | | | | | |
| 6 | 12095451 | SOPORTE RODAMIENTOS | BEARING SUPPORT | | 1 | | | | | | | | |
| 6 | 12095452 | SOPORTE RODAMIENTOS | BEARING SUPPORT | | | 1 | | | | | | | |
| 6 | 12095453 | SOPORTE RODAMIENTOS | BEARING SUPPORT | | | | 1 | | | | | | |
| 6 | 12096461 | SOPORTE RODAMIENTOS | BEARING SUPPORT | | | | | 1 | | | | | |
| 7 | 12010114 | ARAND. SEG. 13 DIN 463 | SAFETY WASHER 13 DIN 463 | 6 | 6 | | | | | | | | |
| 7 | 12010075 | ARAND. SEG. 15 DIN 463 | SAFETY WASHER 15 DIN 463 | | | 6 | | | | | | | |
| 7 | 12010072 | ARAND. SEG. 16 DIN 463 | SAFETY WASHER 16 DIN 463 | | | | 10 | 10 | | | | | |
| 8 | 12009880 | TORNILLO M12X40MM DIN933 | SCREW M12X40MM DIN933 | 6 | | | | | | | | | |
| 8 | 12009902 | TORNILLO M12X55MM DIN931 | SCREW M12X55MM DIN931 | | 6 | | | | | | | | |
| 8 | 12009931 | TORNILLO M14X70MM DIN931 | SCREW M14X70MM DIN931 | | | 6 | 10 | | | | | | |
| 8 | 12009917 | TORNILLO M16X80MM DIN931 | SCREW M16X80MM DIN931 | | | | | 10 | | | | | |
| 10 | 12024905 | RODAMIENTO 45/85/19 | BEARING 45/85/19 | 1 | | | | | | | | | |
| 10 | 12024886 | RODAMIENTO 6210 DDU | BEARING 6210-2Z | | 1 | | | | | | | | |
| 10 | 12023485 | RODAMIENTO 6212-2RS1 | BEARING 6212-2RS1 | | | 1 | | | | | | | |
| 10 | 12023428 | RODAMIENTO 6312-2Z | BEARING 6312-2Z | | | | 1 | | | | | | |
| 10 | 12097296 | RODAMIENTO 6316 ZZ (80x170x39) | BEARING 6316 ZZ (80x170x39) | | | | | 1 | | | | | |
| 11 | 12024842 | RODAMIENTO 55/100/21 | BEARING 55/100/21 | 1 | | | | | | | | | |
| 11 | 12023485 | RODAMIENTO 6212-2RS1 | BEARING 6212-2RS1 | | 1 | | | | | | | | |
| 11 | 12023445 | RODAMIENTO 6214-2RS1 | BEARING 6214-2RS1 | | | 1 | | | | | | | |
| 11 | 12023411 | RODAMIENTO 6216-2RS1 | BEARING 6216-2RS1 | | | | 1 | | | | | | |
| 11 | 12097295 | RODAMIENTO 6318 DDU (90x190x43) | BEARING 6318 DDU (90x190x43) | | | | | 1 | | | | | |
| 12 | 12009847 | ANILLO SEG. INT. 85 DIN-472 | LOCKING RING 85 DIN 472 | 1 | | | | | | | | | |
| 12 | 12009858 | ANILLO SEGURIDAD 90 DIN472 | LOCKING RING 90 DIN 472 | | 1 | | | | | | | | |
| 12 | 12009802 | ANILLO SEGURIDAD J110X4 DIN472 | LOCKING RING J110X4 DIN472 | | | 1 | | | | | | | |
| 12 | 12009798 | ANILLO SEG. INT 130 DIN-472 | LOCKING RING 130 DIN-472 | | | | 1 | | | | | | |
| 12 | 12124794 | ANILLO SEG. INT 170 DIN472-I | LOCKING RING 170 DIN-472 | | | | | 1 | | | | | |
| 12 | 12124798 | ANILLO SEG. INT 190 DIN472-I | LOCKING RING 190 DIN-472 | | | | | 1 | | | | | |
| 13 | 12009902 | TORNILLO HEX. M12X55MM DIN931 | HEXAG. SCREW M12X55MM DIN931 | 6 | | | | | | | | | |
| 13 | 12009887 | TORNILLO HEX. M14X50MM DIN931 | HEXAG. SCREW M14X50MM DIN931 | | 6 | | | | | | | | |
| 13 | 12009814 | TORNILLO HEX. M14X70MM DIN933 | HEXAG. SCREW M14X70MM DIN933 | | | 6 | 10 | | | | | | |
| 13 | 12009917 | TORNILLO HEX. M16X80MM DIN933 | HEXAG. SCREW M16X80MM DIN933 | | | | | 10 | | | | | |
| 14 | 12010089 | TC AUTOBLOC. FE ZN M14 DIN985 | TC AUTOBLOC. FE ZN M14 DIN985 | 6 | 6 | 6 | 6 | | | | | | |
| 14 | 12010061 | TC AUTOBLOC. FE ZN M16 DIN985 | TC AUTOBLOC. FE ZN M16 DIN985 | | | | | 6 | | | | | |
| 16 | 12025036 | SONDA 64KOHMIO NTC | 64KOHM NTC PROBE | 1 | 1 | 1 | 1 | 1 | | | X | | |
| 17 | 12023238 | CASQUILLO CONTRA RETEN | COUNTERSEAL BUSHING | 1 | | | | | | | | | |
| 17 | 12023224 | CASQUILLO CONTRA RETEN | COUNTERSEAL BUSHING | | 1 | | | | | | | | |
| 17 | 12023213 | CASQUILLO CONTRA RETEN | COUNTERSEAL BUSHING | | | 1 | | | | | | | |
| 17 | 12023205 | CASQUILLO CONTRA RETEN | COUNTERSEAL BUSHING | | | | 1 | | | | | | |
| 17 | 12097308 | CASQUILLO CONTRA RETEN | COUNTERSEAL BUSHING | | | | | 1 | | | | | |
| 18 | 12096226 | RESIST. CALENT. 2000W | HEATING RESISTOR 2000W | 3 | | | | | | | X | | |
| 18 | 12096023 | RESIST. CALENT. 3000W | HEATING RESISTOR 3000W | | 3 | | | | | | X | | |
| 18 | 12096051 | RESIST. CALENT. 4000W | HEATING RESISTOR 4000W | | | 3 | | | | | X | | |
| 18 | 12041359 | RESIST. CALENT. 6000W | HEATING RESISTOR 6000W | | | | 3 | | | | X | | |
| 18 | 12092855 | RESIST. CALENT. 7000W | HEATING RESISTOR 7000W | | | | | 3 | | | X | | |
| 19 | 12010170 | TORNILLO INOX M5X30MM DIN912 | S. STEEL BOLT M5X30 DIN912 | 3 | 3 | 3 | 3 | 5 | | | | | |
| 20 | 12009980 | JUNTA TORICA 102x3 | O-RING 102x3 | 1 | | | | | | | | | |
| 20 | 12009940 | JUNTA TORICA 114x3 | O-RING 114x3 | | 1 | | | | | | | | |
| 20 | 12009926 | JUNTA TORICA 128x3 | O-RING 128x3 | | | 1 | | | | | | | |
| 20 | 12010168 | JUNTA TORICA 150x3 | O-RING 150x3 | | | | 1 | | | | | | |
| 20 | 12025230 | JUNTA TORICA 200x3 | O-RING 200x3 | | | | | 1 | | | | | |



| | | | | |
|-------------|-----------|--------|-------------------------|-------|
| Drawing Nr. | Signature | Date | FRENTE CUBA / TUB FRONT | Sheet |
| | Iban R. | oct-15 | LA-11-14-18-25-35 TP | 5 |



| | | | | |
|-------------|-----------|--------|----------------------|-------|
| Drawing Nr. | Signature | Date | TAMBOR / DRUM | Sheet |
| | Iban R. | oct-15 | LA-11-14-18-25-35 TP | 6 |

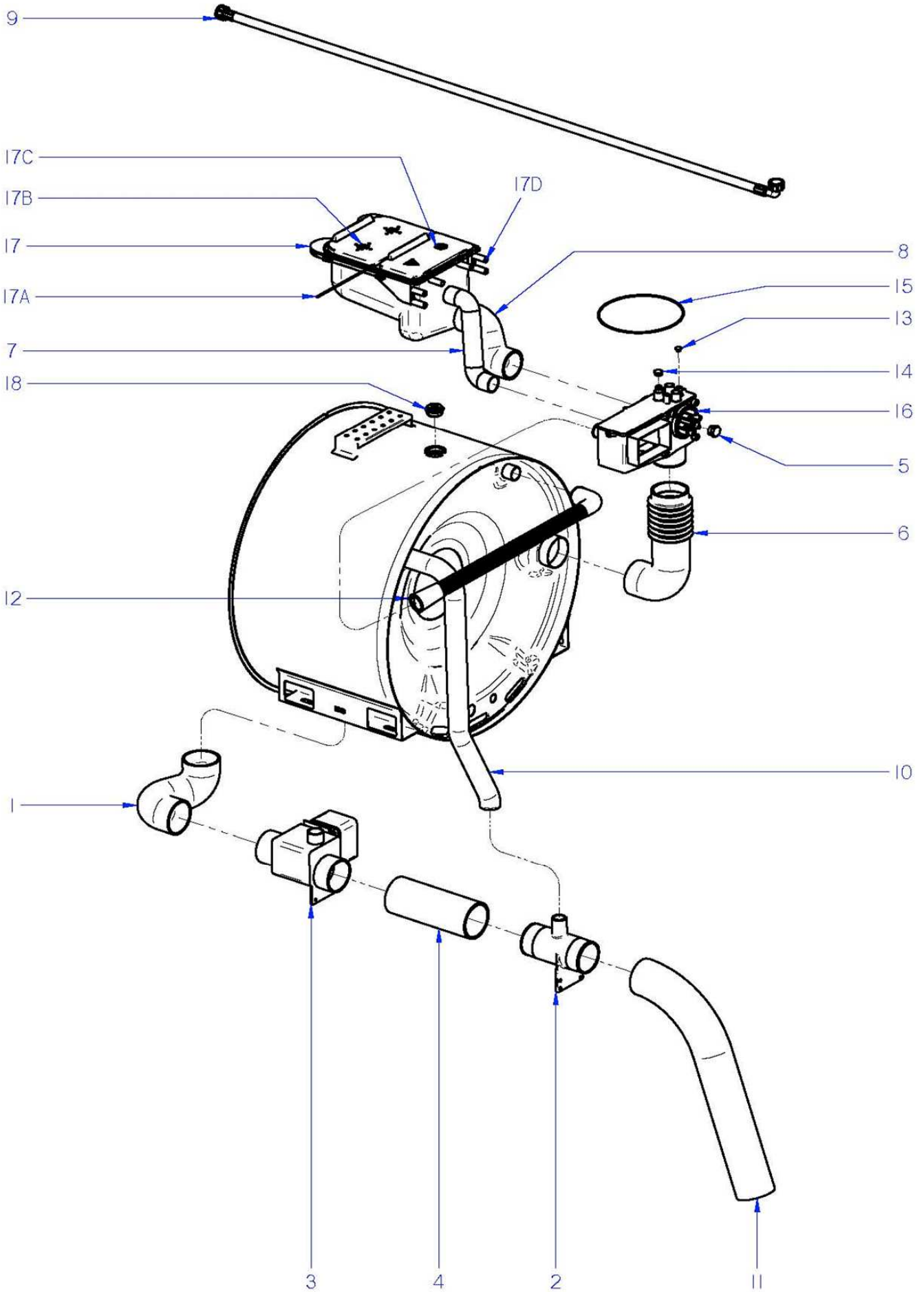


TAMBOR / DRUM

LAMINA / DRAWING

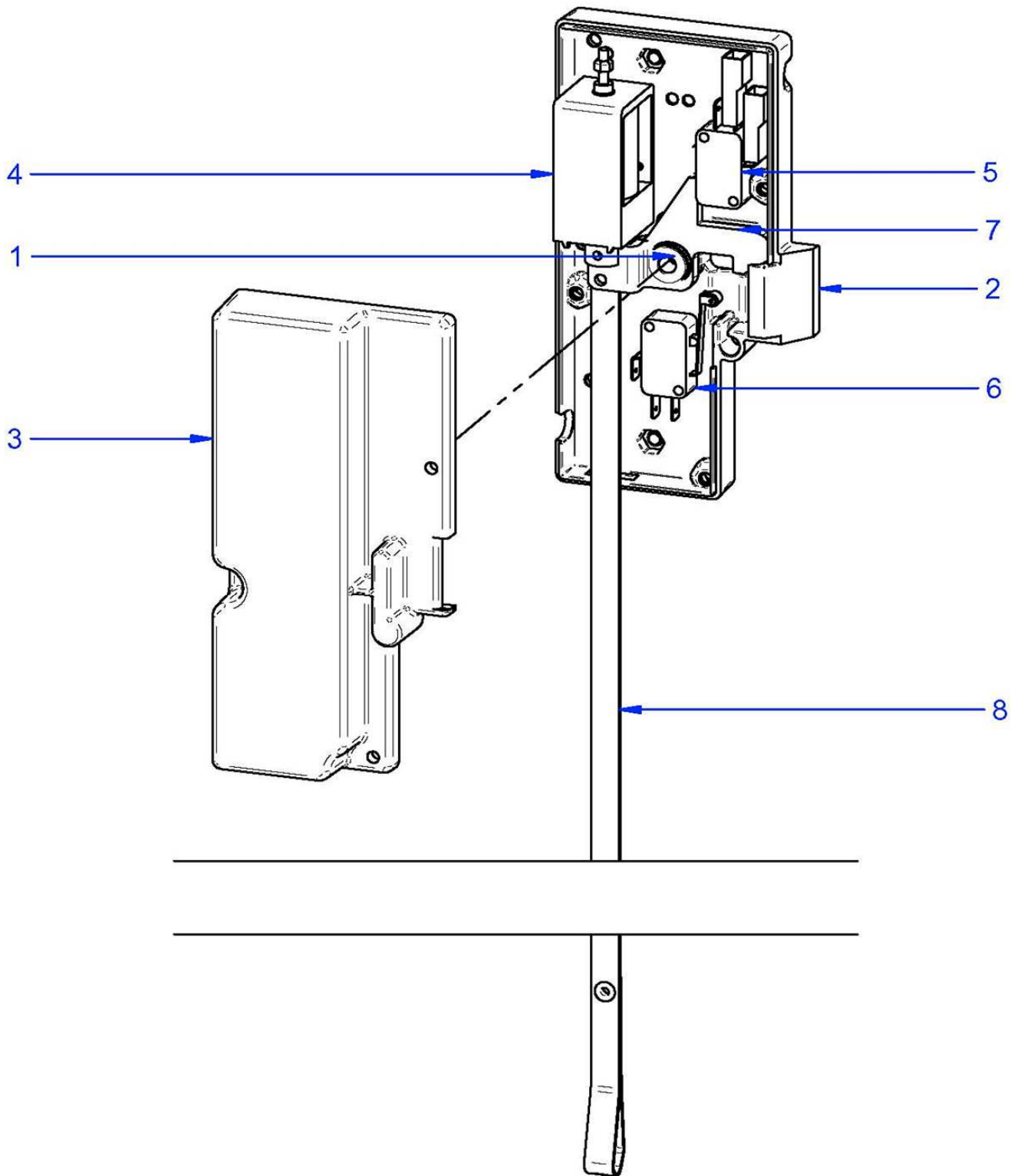


| ITEM | REFERENCIA REFERENCE | DENOMINACIÓN | DENOMINATION | LA-11 TP | LA-14 TP | LA-18 TP | LA-25 TP | LA-35 TP | | | RECOMMENDED | ELIMINADO ELIMINATED | INTRODUCIDO INTRODUCED |
|------|-------------------------|-----------------------------------|---------------------------------|----------|----------|----------|----------|----------|--|--|-------------|-------------------------|---------------------------|
| 1 | 12004082 | TAMBOR COMPLETO | COMPLETE DRUM | 1 | | | | | | | | | |
| 1 | 12004087 | TAMBOR COMPLETO | COMPLETE DRUM | | 1 | | | | | | | | |
| 1 | 12004100 | TAMBOR COMPLETO | COMPLETE DRUM | | | 1 | | | | | | | |
| 1 | 12004126 | TAMBOR COMPLETO | COMPLETE DRUM | | | | 1 | | | | | | |
| 1 | 12097273 | TAMBOR COMPLETO | COMPLETE DRUM | | | | | 1 | | | | | |
| 2 | 12023279 | POLEA TAMBOR | DRUM PULLEY | 1 | | | | | | | | | |
| 2 | 12024919 | POLEA TAMBOR | DRUM PULLEY | | 1 | 1 | | | | | | | |
| 2 | 12023249 | POLEA TAMBOR | DRUM PULLEY | | | | 1 | | | | | | |
| 2 | 12097389 | POLEA TAMBOR | DRUM PULLEY | | | | | 1 | | | | | |
| 3 | 12023273 | CORREA POLY-V PJ 1301 (8 DIENTES) | BELT POLY-V PJ 1301 (8 TEETH) | 1 | | | | | | | X | | |
| 3 | 12023269 | CORREA POLY-V PJ 1600 (8 DIENTES) | BELT POLY-V PJ 1600 (8 TEETH) | | 1 | | | | | | X | | |
| 3 | 12023267 | CORREA POLY-V PJ 1663 (8 DIENTES) | BELT POLY-V PJ 1663 (8 TEETH) | | | 1 | | | | | X | | |
| 3 | 12023252 | CORREA POLY-V PJ 1854 (12 DIENT.) | BELT POLY-V PJ 1854 (12 TEETH) | | | | 1 | | | | X | | |
| 3 | 12104292 | CORREA POLY-V PJ 2083 (12 DIENT.) | BELT POLY-V PJ 2083 (12 TEETH) | | | | | 1 | | | X | | |
| 4 | 12025038 | RETEN V-RING VA-80 VITON | V-RING RETAINER VA-80 VITON | 1 | | | | | | | | | |
| 4 | 12024987 | RETEN V-RING VA-85 VITON | V-RING RETAINER VA-85 VITON | | 1 | | | | | | | | |
| 4 | 12024988 | RETEN V-RING VA-95 VITON | V-RING RETAINER VA-95 VITON | | | 1 | | | | | | | |
| 4 | 12024993 | RETEN V-RING VA-100 VITON | V-RING RETAINER VA-100 VITON | | | | 1 | | | | | | |
| 4 | 12046264 | RETEN VA-110 VITON | V-RING RETAINER VA-110 VITON | | | | | 1 | | | | | |
| 5 | 12025226 | RETEN V-RING 65 NBR | V-RING RETAINER 65A NBR | 1 | | | | | | | | | |
| 5 | 12025221 | RETEN V-RING VA-70 NBR | V-RING RETAINER VA-70 VITON | | 1 | | | | | | | | |
| 5 | 12025038 | RETEN V-RING VA-80 VITON | V-RING RETAINER VA-80 VITON | | | 1 | | | | | | | |
| 5 | 12024992 | RETEN V-RING VA 90 | V-RING RETAINER VA-90 VITON | | | | 1 | | | | | | |
| 5 | 12024993 | RETEN V-RING VA-100 VITON | V-RING RETAINER VA-100 VITON | | | | | 1 | | | | | |
| 6 | 12021847 | ARANDELA POLEA MOTOR | ENGINE PULLEY WASHER | 1 | | | | | | | | | |
| 6 | 12021832 | ARANDELA POLEA MOTOR | ENGINE PULLEY WASHER | | 1 | 1 | 1 | | | | | | |
| 6 | 12103750 | ARANDELA POLEA MOTOR | ENGINE PULLEY WASHER | | | | | 1 | | | | | |
| 7 | 12010069 | CHAVETA 12x8x40 DIN 6885 | COTTER PIN 12x8x40 DIN 6885 | 1 | | | | | | | | | |
| 7 | 12025213 | CHAVETA TIPO A 14x9x50 DIN 6885 | COTTER PIN 14x9x50 DIN 6885 A | | 1 | 1 | 1 | | | | | | |
| 7 | 12115159 | CHAVETA 20x12x63 DIN6885 TIPO A | COTTER PIN 20x12x63 DIN 6885 A | | | | | 1 | | | | | |
| 8 | 12009896 | ARANDELA SEG. FE ZN 12MM DIN432 | SAFETY WASHER FE ZN 12MM DIN432 | 1 | 1 | 1 | 1 | 1 | | | | | |
| 9 | 12010069 | TORNILLO FE ZN M12X40MM DIN933 | SCREW FE ZN M12X40MM DIN933 | 1 | 1 | 1 | 1 | 1 | | | | | |
| 13 | 12023197 | MOTOR 230V AC 3N 750W 2800RPM | ENGINE 230V AC 3N 750W 2800RPM | 1 | | | | | | | X | | |
| 13 | 12023195 | MOTOR 230V AC 3N 1100W 2800RPM | ENGINE 230V AC 3N 1100W 2800RPM | | 1 | | | | | | X | | |
| 13 | 12023194 | MOTOR 230V AC 3N 2200W 2800RPM | ENGINE 230V AC 3N 2200W 2800RPM | | | 1 | | | | | X | | |
| 13 | 12023189 | MOTOR 230V AC 3N 3KW 2800RPM | ENGINE 230V AC 3N 3KW 2800RPM | | | | 1 | | | | X | | |
| 13 | 12046405 | MOTOR 230V AC 3N 4KW 1500RPM | ENGINE 230V AC 4N 3KW 1500RPM | | | | | 1 | | | X | | |
| 14 | 12023322 | TUBO SOPORTE MOTOR | ENGINE SUPPORT HOSE | 2 | | | | | | | | | |
| 14 | 12023319 | TUBO SOPORTE MOTOR | ENGINE SUPPORT HOSE | | 2 | | | | | | | | |
| 14 | 12023310 | TUBO SOPORTE MOTOR | ENGINE SUPPORT HOSE | | | 2 | | | | | | | |
| 14 | 12023307 | TUBO SOPORTE MOTOR | ENGINE SUPPORT HOSE | | | | 2 | 2 | | | | | |
| 15 | 12009921 | TORNILLO FE ZN M10X150MM DIN931 | SCREW FE ZN M10X150MM DIN931 | 2 | | | | | | | | | |
| 15 | 12009900 | TORNILLO FE ZN M10X180MM DIN931 | SCREW FE ZN M10X180MM DIN931 | | 2 | | | 2 | | | | | |
| 15 | 12009818 | TORNILLO FE PV M10X220MM DIN931 | SCREW FE PV M10X220MM DIN931 | | | 2 | 2 | | | | | | |
| 16 | 12023118 | TENSOR MOTOR | ENGINE TENSOR | 1 | 1 | 1 | 1 | 1 | | | | | |
| 17 | 12010045 | TORN DIN 603 M8x35 ZINC | SCREW DIN 603 M8x35 ZN | 1 | 1 | 1 | 1 | 1 | | | | | |
| 18 | 12114100 | SENSOR MAGNITICO 12V | MAGNETIC SENSOR 12V | 1 | 1 | 1 | 1 | 1 | | | X | | |
| 19 | 12007773 | CASQUILLO EJE | AXIS BUSHING | 1 | | | | | | | | | |
| 19 | 12023262 | CASQUILLO EJE | AXIS BUSHING | | 1 | | | | | | | | |
| 19 | 12023256 | CASQUILLO EJE | AXIS BUSHING | | | 1 | | | | | | | |
| 19 | 12007749 | CASQUILLO EJE | AXIS BUSHING | | | | 1 | | | | | | |
| 19 | 12097355 | CASQUILLO EJE | AXIS BUSHING | | | | | 1 | | | | | |

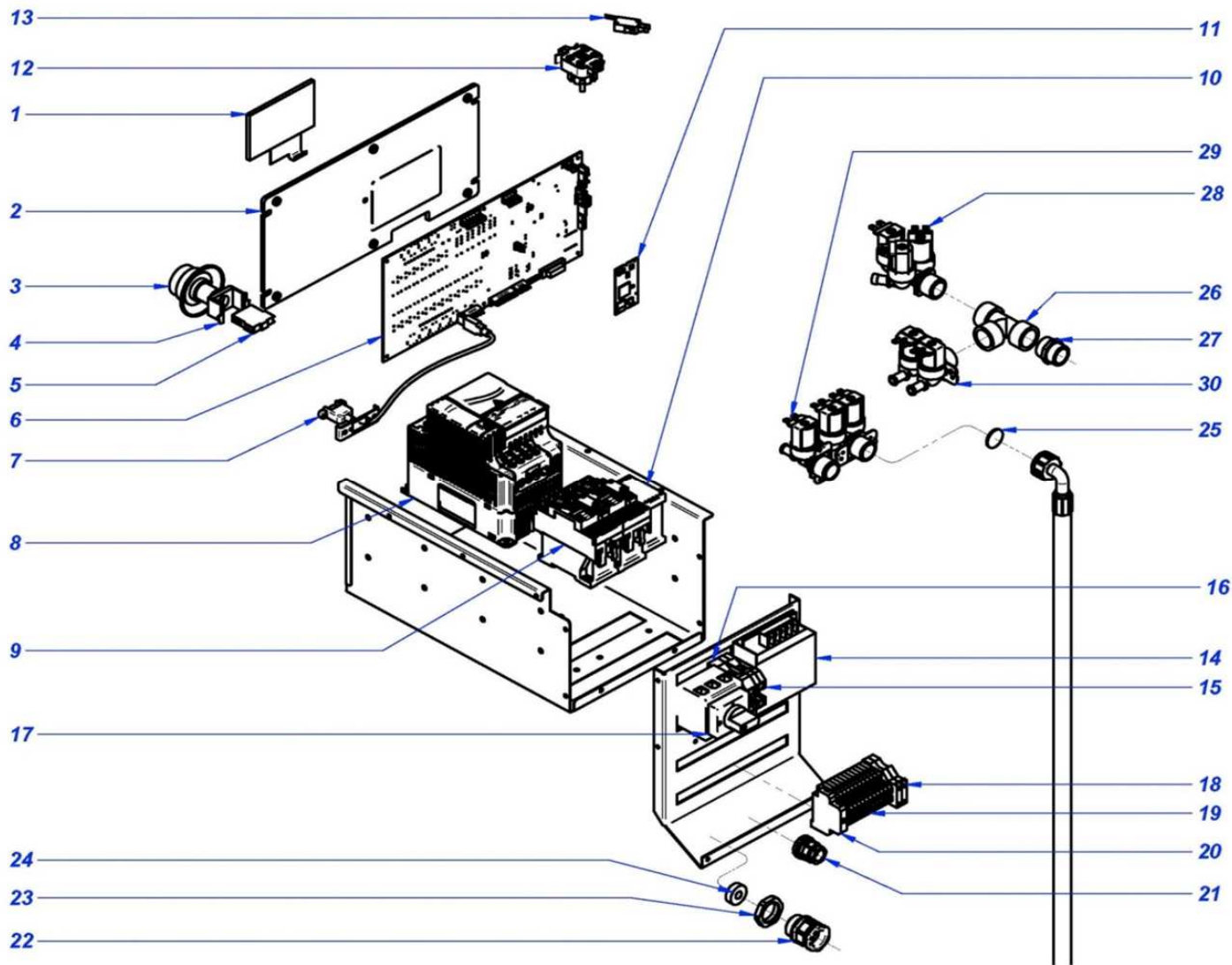


| Drawing Nr. | Signature | Date | CUBETERA / TRAY | Sheet |
|-------------|-----------|--------|-------------------|-------|
| | Iban R. | sep-15 | LA-14-18-25-35 TP | 8 |

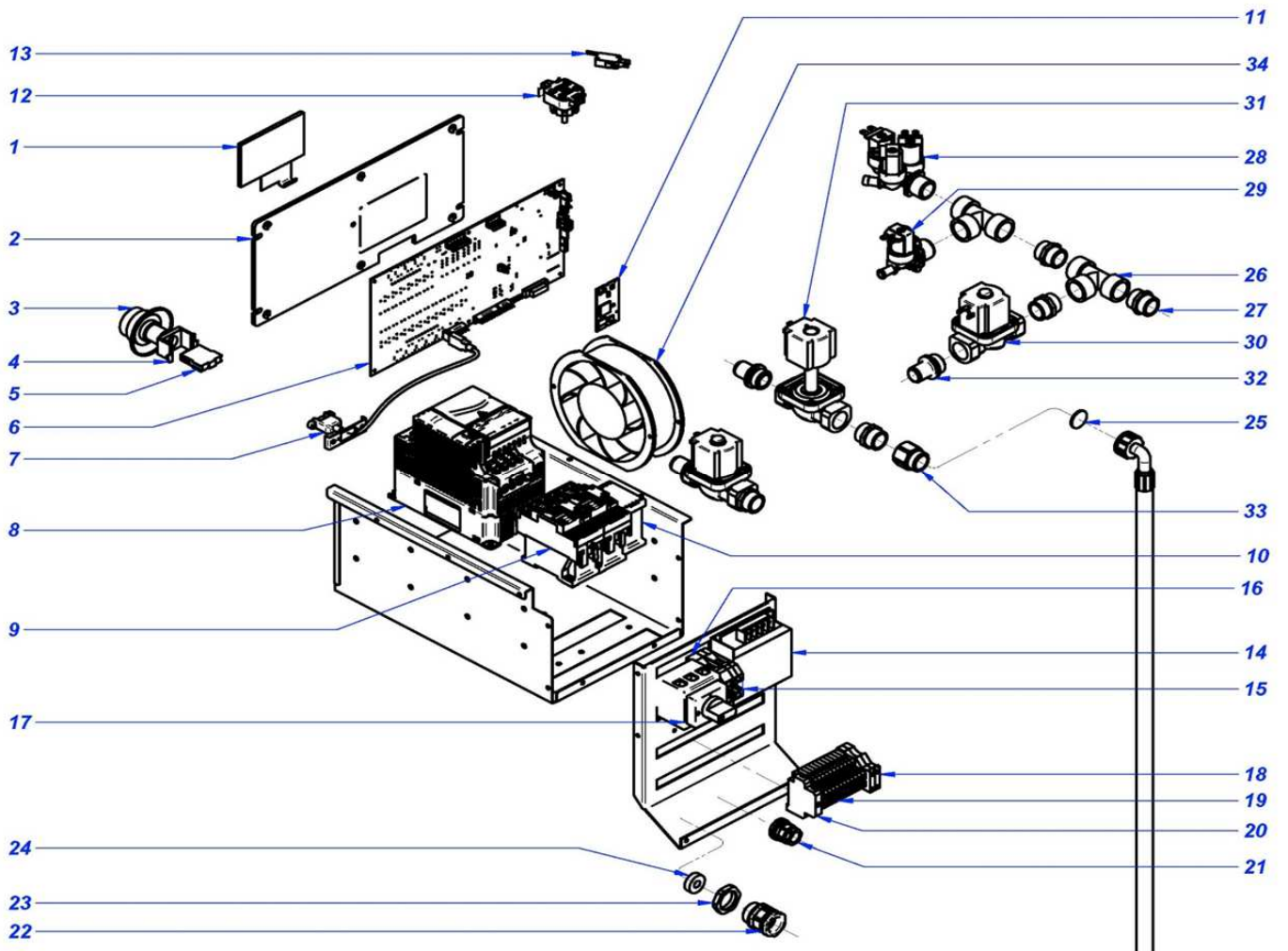
| ITEM | REFERENCIA REFERENCE | DENOMINACIÓN | DENOMINATION | LA-11 TP | LA-14 TP | LA-18 TP | LA-25 TP | LA-35 TP | | | RECOMMENDED | ELIMINADO ELIMINATED | INTRODUCIDO INTRODUCED |
|------|-------------------------|---------------------------|--------------------------|----------|----------|----------|----------|----------|--|--|-------------|-------------------------|---------------------------|
| 1 | 12044165 | CONDUCTO DESAGÜE CUBA | TUB DRAINAGE PIPE | 1 | 1 | 1 | | | | | | | |
| 1 | 12025016 | CONDUCTO DESAGÜE CUBA | TUB DRAINAGE PIPE | | | | 1 | | | | | | |
| 1 | 12007746 | CONDUCTO DESAGÜE CUBA | TUB DRAINAGE PIPE | | | | | 1 | | | | | |
| 2 | 12046868 | SALIDA DESAGÜE 3" | DRAINAGE OUTPUT 3" | 1 | 1 | 1 | 1 | 1 | | | | | |
| 3 | 12024404 | VALVULA VACIADO | DRAINAGE VALVE | 1 | 1 | 1 | 1 | 1 | | | X | | |
| 4 | 12046143 | CONDUCTO VALVULA-SALIDA | DRAIN VALVE-OUTPUT PIPE | 1 | 1 | | | | | | | | |
| 4 | 12046139 | CONDUCTO VALVULA-SALIDA | DRAIN VALVE-OUTPUT PIPE | | | 1 | | | | | | | |
| 4 | 12046144 | CONDUCTO VALVULA-SALIDA | DRAIN VALVE-OUTPUT PIPE | | | | 1 | 1 | | | | | |
| 5 | 12121485 | CAPUCHON CON ROSCA SR1126 | THREADED CAP SR1126 | 1 | 1 | 1 | 1 | 1 | | | | | |
| 6 | 12023263 | CONDUCTO COLECTOR-CUBA | COLLECTOR BOX-TUP PIPE | 1 | | | | | | | | | |
| 6 | 12025016 | CONDUCTO COLECTOR-CUBA | COLLECTOR BOX-TUP PIPE | | 1 | | | | | | | | |
| 6 | 12025017 | CONDUCTO COLECTOR-CUBA | COLLECTOR BOX-TUP PIPE | | | 1 | 1 | 1 | | | | | |
| 7 | 12007856 | COND. REBOSADERO CUBETERA | TRAY OVERFLOW PIPE | 1 | 1 | | | | | | | | |
| 7 | 12007839 | COND. REBOSADERO CUBETERA | TRAY OVERFLOW PIPE | | | 1 | | | | | | | |
| 7 | 12007825 | COND. REBOSADERO CUBETERA | TRAY OVERFLOW PIPE | | | | 1 | | | | | | |
| 7 | 12007811 | COND. REBOSADERO CUBETERA | TRAY OVERFLOW PIPE | | | | | 1 | | | | | |
| 8 | 12007772 | CONDUCTO CUBETERA | TRAY PIPE | 1 | 1 | | | | | | | | |
| 8 | 12007776 | CONDUCTO CUBETERA | TRAY PIPE | | | 1 | | | | | | | |
| 8 | 12007763 | CONDUCTO CUBETERA | TRAY PIPE | | | | 1 | | | | | | |
| 8 | 12007756 | CONDUCTO CUBETERA | TRAY PIPE | | | | | 1 | | | | | |
| 9 | 12024115 | MANGUERA ENTRADA AGUA | WATER INLET PIPE | 1 | 1 | 1 | 1 | 1 | | | | | |
| 10 | 12023265 | CONDUCTO REBOSADERO CUBA | TUB OVERFLOW PIPE | 1 | | | | | | | | | |
| 10 | 12023271 | CONDUCTO REBOSADERO CUBA | TUB OVERFLOW PIPE | | 1 | | | | | | | | |
| 10 | 12024866 | CONDUCTO REBOSADERO CUBA | TUB OVERFLOW PIPE | | | 1 | | | | | | | |
| 10 | 12024833 | CONDUCTO REBOSADERO CUBA | TUB OVERFLOW PIPE | | | | 1 | 1 | | | | | |
| 11 | 12025026 | CONDUCTO DESAGÜE | DRAINAGE PIPE | 1 | 1 | 1 | 1 | 1 | | | | | |
| 12 | 12007821 | MANGUERA SALIDA VAPOR | STEAM OUTPUT HOSE | 1 | 1 | 1 | 1 | 1 | | | | | |
| 13 | 12010034 | TAPON CAJA COLECTOR 8 | COLLECTOR BOX PLUG 8 | 3 | 3 | 3 | 3 | 3 | | | | | |
| 14 | 12010013 | TAPON CAJA COLECTOR 16 | COLLECTOR BOX PLUG 16 | 1 | 1 | 1 | 1 | 1 | | | | | |
| 15 | 12008049 | JUNTA TAPA CAJA COLECTOR | COLLECTOR BOX COVER SEAL | 1 | 1 | 1 | 1 | 1 | | | | | |
| 16 | 12129972 | CAJA COLECTOR COMPLETA | COMPLETE COLLECTOR BOX | 1 | 1 | 1 | 1 | 1 | | | | | |
| 17 | 12007752 | CUBETA DE DETERGENTES | DETERGENTS TRAY | 1 | 1 | 1 | 1 | 1 | | | | | |
| 17A | 12010483 | EJE TAPAS CUBETA | TRAY COVERS AXIS | 2 | 2 | 2 | 2 | 2 | | | | | |
| 17B | 12010403 | TAPA 1 | COVER 1 | 1 | 1 | 1 | 1 | 1 | | | | | |
| 17C | 12000747 | TAPA 2 | COVER 2 | 1 | 1 | 1 | 1 | 1 | | | | | |
| 17D | 12010088 | TAPON CUBETA DETERGENTES | DETERGENT TRAY CAP | 2 | 2 | 2 | 2 | 2 | | | | | |
| 18 | 12120434 | TUBO SALIDA VAPOR | STEAM OUTPUT TUBE | 1 | | | | | | | | | |
| 18 | 12128218 | TAPON CUBA 1" G | TUB CAP 1" G | | 1 | 1 | 1 | 1 | | | | | |



| | | | | |
|-------------|-----------|--------|----------------------|-------|
| Drawing Nr. | Signature | Date | CIERRE / LOCK | Sheet |
| | Iban R. | sep-15 | LA-11-14-18-25-35 TP | 9 |



| Drawing Nr. | Signature | Date | CUADRO ELECTRICO / ELECTRIC BOARD | Sheet |
|-------------|-----------|--------|-----------------------------------|-------|
| | Iban R. | dic-15 | LAVADORAS LA-11-14-18 TP | 12 |



| Drawing Nr. | Signature | Date | CUADRO ELECTRICO / ELECTRIC BOARD | Sheet |
|-------------|-----------|--------|-----------------------------------|-------|
| | Iban R. | jul-16 | LAVADORAS LA-25-35 TP | 12 |



| ITEM | REFERENCIA REFERENCE | DENOMINACIÓN | DENOMINATION | LA-11 TP | LA-14 TP | LA-18 TP | LA-25 TP | LA-35 TP | | | RECOMMENDED | ELIMINADO ELIMINATED | INTRODUCIDO INTRODUCED |
|------|-------------------------|-------------------------------------|------------------------------------|----------|----------|----------|----------|----------|--|--|-------------|-------------------------|---------------------------|
| | 12120261 | INSTAL. ELECTRICA 10, 13, 18, 25 UL | ELECT. INSTALLATION 10, 13, 18, 25 | 1 | 1 | 1 | 1 | | | | | | |
| | 12120257 | INSTAL. ELECTRICA 35A, 60B UL | ELECT. INSTALLATION 35A, 60B UL | | | | | 1 | | | | | |
| | 12121936 | CABL. CALENTAMIENTO AF 10, 13 UL | HEATING WIRING AF 10, 13 UL | 1 | 1 | | | | | | | | |
| | 12121907 | CABL. CALENTAMIENTO AF 18 KG UL | HEATING WIRING AF 18 KG UL | | | 1 | | | | | | | |
| | 12121901 | CABL. CALENTAMIENTO AF 25 KG UL | HEATING WIRING AF 25 KG UL | | | | 1 | | | | | | |
| | 12121893 | CABL. CALENTAMIENTO AF 35KG UL | HEATING WIRING AF 35 KG UL | | | | | 1 | | | | | |
| | 12120274 | CABLEADO PTC+R UL | PTC+R UL WIRING | 1 | 1 | 1 | 1 | 1 | | | X | | |
| | 12120263 | CABLEADO VALVULA VACIADO UL | UL DRAIN VALVE WIRING | 1 | 1 | 1 | 1 | 1 | | | | | |
| | 12121981 | CABLEADO PUERTA UL | UL DOOR WIRING | 1 | 1 | 1 | 1 | 1 | | | | | |
| | 12025067 | CABLEADO ELECTR.VALV.VAPOR | STEAM VALVE ELETRIC WIRING | 1 | 1 | 1 | 1 | 1 | | | | S MODELS | |
| | 12043762 | CABLEADO TIERRA EV UL | ELECTROVALVES GROUND WIRING | | | | | 1 | | | | | |
| | 12120279 | CABLEADO CONEC. MOTOR 400V | ENGINE CONNECTOR WIRING 400V | | | | | 1 | | | | | |
| | 12044612 | CABLEADO CONECT. DE 8 A 6 VIAS | 8 TO 6 WAY CONNECTOR WIRING | | | | 1 | | | | | | |

RECOMENDADOS / RECOMMENDED

LAMINA / DRAWING



| ITEM | REFERENCIA REFERENCE | DENOMINACIÓN | DENOMINATION | LAMINA / DRAWING | | | | | CONJUNTO FUNCIONAL / FUNCTIONAL PART |
|------|-------------------------|-----------------------------------|---------------------------------|------------------|----------|----------|----------|----------|--|
| | | | | LA-11 TP | LA-14 TP | LA-18 TP | LA-25 TP | LA-35 TP | |
| 10 | 12113512 | ADHESIVO FAGOR TP | FAGOR TP ADHESIVE | 1 | 1 | 1 | 1 | 1 | MUEBLE / CABINET |
| 11 | 12113854 | ADHESIVO ON/OFF FAGOR | FAGOR ON/OFF ADHESIVE | 1 | 1 | 1 | 1 | 1 | MUEBLE / CABINET |
| 5 | 12025077 | AMORTIGUADOR 120N SUSPA | DAMPER 120N | 4 | | 8 | 8 | | ARMAZON / FRAME |
| 5 | 12025078 | AMORTIGUADOR 90N SUSPA | DAMPER 90N | | 8 | | | | ARMAZON / FRAME |
| 5 | 12024980 | AMORTIGUADOR 140N SUSPA | DAMPER 140 | | | | | 12 | ARMAZON / FRAME |
| 16 | 12025036 | SONDA 64KOHMIO NTC | 64KOHM NTC PROBE | 1 | 1 | 1 | 1 | 1 | CUBA / TUB |
| 32 | 12096597 | LIMITADOR DE SEGURIDAD | SAFETY THERMOSTAT | 1 | 1 | 1 | 1 | 1 | CUBA / TUB |
| 29 | 12023340 | VALVULA VAPOR 1/2 50/60HZ | STEAM VALVE 1/2 50/60HZ | 1 | 1 | 1 | | | CUBA / TUB |
| 29 | 12024331 | VALVULA VAPOR 3/4" 60HZ. | STEAM VALVE 3/4 60HZ | | | | 1 | 1 | CUBA / TUB |
| 18 | 12096226 | RESIST. CALENT. 2000W | HEATING RESISTOR 2000W | 3 | | | | | CUBA / TUB |
| 18 | 12096023 | RESIST. CALENT. 3000W | HEATING RESISTOR 3000W | | 3 | | | | CUBA / TUB |
| 18 | 12096051 | RESIST. CALENT. 4000W | HEATING RESISTOR 4000W | | | 3 | | | CUBA / TUB |
| 18 | 12041359 | RESIST. CALENT. 6000W | HEATING RESISTOR 6000W | | | | 3 | | CUBA / TUB |
| 18 | 12092855 | RESIST. CALENT. 7000W | HEATING RESISTOR 7000W | | | | | 3 | CUBA / TUB |
| 7 | 12007767 | JUNTA PUERTA | DOOR SEAL | 1 | | | | | FR. CUBA / TUB FRONT |
| 7 | 12023284 | JUNTA PUERTA | DOOR SEAL | | 1 | 1 | 1 | | FR. CUBA / TUB FRONT |
| 7 | 12048069 | JUNTA PUERTA | DOOR SEAL | | | | | 1 | FR. CUBA / TUB FRONT |
| 16 | 12119770 | CIERRE COMPLETO 2015 | COMPLETE LOCK 2015 | 1 | 1 | 1 | 1 | 1 | FR. CUBA / TUB FRONT |
| 3 | 12023273 | CORREA POLY-V PJ 1301 (8 DIENTES) | BELT POLY-V PJ 1301 (8 TEETH) | 1 | | | | | TAMBOR / DRUM |
| 3 | 12023269 | CORREA POLY-V PJ 1600 (8 DIENTES) | BELT POLY-V PJ 1600 (8 TEETH) | | 1 | | | | TAMBOR / DRUM |
| 3 | 12023267 | CORREA POLY-V PJ 1663 (8 DIENTES) | BELT POLY-V PJ 1663 (8 TEETH) | | | 1 | | | TAMBOR / DRUM |
| 3 | 12023252 | CORREA POLY-V PJ 1854 (12 DIENT.) | BELT POLY-V PJ 1854 (12 TEETH) | | | | 1 | | TAMBOR / DRUM |
| 3 | 12104292 | CORREA POLY-V PJ 2083 (12 DIENT.) | BELT POLY-V PJ 2083 (12 TEETH) | | | | | 1 | TAMBOR / DRUM |
| 13 | 12023197 | MOTOR 230V AC 3N 750W 2800RPM | ENGINE 230V AC 3N 750W 2800RPM | 1 | | | | | TAMBOR / DRUM |
| 13 | 12023195 | MOTOR 230V AC 3N 1100W 2800RPM | ENGINE 230V AC 3N 1100W 2800RPM | | 1 | | | | TAMBOR / DRUM |
| 13 | 12023194 | MOTOR 230V AC 3N 2200W 2800RPM | ENGINE 230V AC 3N 2200W 2800RPM | | | 1 | | | TAMBOR / DRUM |
| 13 | 12023189 | MOTOR 230V AC 3N 3KW 2800RPM | ENGINE 230V AC 3N 3KW 2800RPM | | | | 1 | | TAMBOR / DRUM |
| 13 | 12046405 | MOTOR 230V AC 3N 4KW 1500RPM | ENGINE 230V AC 4N 3KW 1500RPM | | | | | 1 | TAMBOR / DRUM |
| 18 | 12114100 | SENSOR MAGNITICO 12V | MAGNETIC SENSOR 12V | 1 | 1 | 1 | 1 | 1 | TAMBOR / DRUM |
| 3 | 12024404 | VALVULA VACIADO | DRAINAGE VALVE | 1 | 1 | 1 | 1 | 1 | CUBETERA / TRAY |
| 1 | 12119488 | DISPLAY TOUCH PLUS | DISPLAY TOUCH PLUS | 1 | 1 | 1 | 1 | 1 | ELECTRICO / ELECTRIC |
| 3 | 12120235 | SETA DE EMERGENCIA | EMERGENCY STOP BUTTON | 1 | 1 | 1 | 1 | 1 | ELECTRICO / ELECTRIC |
| 4 | 12120238 | SOPORTE SETA EMERGENCIA | EMERGENCY STOP SUPPORT | 1 | 1 | 1 | 1 | 1 | ELECTRICO / ELECTRIC |
| 5 | 12120237 | PULSAD. 250V AC 16A 1VIA 2POS UL | 250V AC 16A 1WAY 2POS UL SWITCH | 1 | 1 | 1 | 1 | 1 | ELECTRICO / ELECTRIC |
| 6 | 12120815 | TARJETA PRINCIPAL TP (LIGHT) | MAIN BOARD TP (LIGHT) | 1 | 1 | 1 | 1 | 1 | ELECTRICO / ELECTRIC |
| 7 | 12119961 | CABLE USB MACHO-HEMBRA | USB WIRE MALE-FEMALE | 1 | 1 | 1 | 1 | 1 | ELECTRICO / ELECTRIC |
| 8 | 12134029 | VARIADOR DELTA PROGRAMADO | PROGRAMMED DELTA INVERTER | 1 | | | | | ELECTRICO / ELECTRIC |
| 8 | 12134031 | VARIADOR DELTA PROGRAMADO | PROGRAMMED DELTA INVERTER | | 1 | | | | ELECTRICO / ELECTRIC |
| 8 | 12134047 | VARIADOR DELTA PROGRAMADO | PROGRAMMED DELTA INVERTER | | | 1 | | | ELECTRICO / ELECTRIC |
| 8 | 12131875 | VARIADOR DELTA PROGRAMADO | PROGRAMMED DELTA INVERTER | | | | 1 | | ELECTRICO / ELECTRIC |
| 8 | 12131879 | VARIADOR DELTA PROG. (460V) | PROG. DELTA INVERTER (460V) | | | | | 1 | ELECTRICO / ELECTRIC |
| 8 | 12134048 | VARIADOR DELTA PROG. (230V) | PROG. DELTA INVERTER (230V) | | | | | 1 | ELECTRICO / ELECTRIC |
| 9 | 12111795 | CONTACTOR 230V AC 20A 4via UL | 230V AC 20A 4via UL CONTACTOR | 2 | 2 | 2 | | | ELECTRICO / ELECTRIC |
| 9 | 12041014 | RELE 230V AC 50/60HZ 40A 2VIA | RELAY 230V AC 50/60HZ 40A 2WAY | | | | 2 | 2 | ELECTRICO / ELECTRIC |
| 10 | 12023706 | RELE 230V AC 50/60HZ 16A 2VIA | RELAY 230V AC 50/60HZ 16A 2WAY | 1 | 1 | 1 | 1 | | ELECTRICO / ELECTRIC |
| 10 | 12024040 | CONTACTOR 230V AC 20A 4via UL | 230V AC 20A 4via UL CONTACTOR | | | | | 1 | ELECTRICO / ELECTRIC |
| 11 | 12131303 | MODULO PROCESADOR GRABADO | RECORDED PROCESSOR MODULE | 1 | 1 | 1 | 1 | 1 | ELECTRICO / ELECTRIC |
| 12 | 12128262 | SENSOR DE PRESION 50mbar | 50mbar PRESSURE SENSOR | 1 | 1 | 1 | 1 | 1 | ELECTRICO / ELECTRIC |
| 14 | 12116823 | TRANSFORMADOR 1N 50W 240V/12V | 1N 50W 240V/12V UL TRANSFORMER | 1 | 1 | 1 | 1 | 1 | ELECTRICO / ELECTRIC |
| 17 | 12024628 | INTERRUP. 63A 3VIA 2POS SECCI UL | 63A 3WAY 2POS ISOLATOR SWITCH | 1 | 1 | 1 | 1 | 1 | ELECTRICO / ELECTRIC |
| 28 | 12023921 | ELECTROVALVULA 3 VIAS | 3 WAY SOLENOID VALVE | 1 | 1 | 1 | 1 | 1 | ELECTRICO / ELECTRIC |
| 29 | 12025161 | ELECTROVALVULA SIMPLE | SIMPLE SOLENOID VALVE | 1 | 1 | 1 | 1 | 1 | ELECTRICO / ELECTRIC |
| 30 | 12023794 | ELECTROVALVULA 2 VIAS | 2 WAY SOLENOID VALVE | 2 | 2 | 2 | | | ELECTRICO / ELECTRIC |
| 30 | 12023551 | ELECTROVALVULA SIMPLE | SIMPLE SOLENOID VALVE | | | | 3 | 3 | ELECTRICO / ELECTRIC |
| 31 | 12024622 | BOBINADO EV SIMPLE | SIMPLE SOLENOID VALVE COIL | | | | 3 | 3 | ELECTRICO / ELECTRIC |
| 34 | 12024106 | VENTILADOR 230V AC 1N 36KW | FAN 230V AC 1N 36KW | | | | | 1 | ELECTRICO / ELECTRIC |
| | 12120274 | CABLEADO PTC+R UL | PTC+R UL WIRING | 1 | 1 | 1 | 1 | 1 | VIARIOS / VARIOUS |

| Simb / LENG | ESPAÑOL | ENGLISH | FRANÇAIS | DEUTSCH | ITALIANO |
|--------------|---|---|--|---|---|
| CT1, CT2 | Contactor Calentamiento | Heating Contactor | Contacteur Chauffe | Heizschutz | Contatore Riscaldamento |
| CVF | Contactor Variador | Converter Contactor | Convertisseur | Schutz Frequenzumwandler | Contatore Convertitore |
| 5 | Dosificador Neutralizante. | Neutralizer feeder | Doseur Neutralisant | Dosier Neutralisiermittel | Dosatore Neutralizzante |
| 6 | Dosificador Jabon liquido. | Liquid soap feeder | Doseur lessive liquide | Dosierweichmittel Flüssigseife | Dosatore sapone liquido |
| 7 | Dosificador aditivos. | Additive feeder | Doseur additifs | Dosierweichmittel Zusatzmittel | Dosatore additiv |
| D.T. | Display/Teclado | Display/Keyboard | Ecran/Clavier | Display/Tastatur | Display/Tastiera |
| e1 | Electro válvula agua Fría. | Cold water electrically operated valve | Electrovanne eau Froide | Elektroventil Kaltwasser | Electrovalvola acqua Fredda |
| e2 | Electro válvula agua Caliente | Hot water electrically operated valve | Electrovanne eau Chaud | Elektroventil Warmwasser | Electrovalvola acqua Calda |
| e3 | Electro válvula Prelavado. | Pre-wash electrically operated valve | Electrovanne Pré-lavage | Elektroventil Vorwaschen | Electrovalvola Prelavaggio |
| e4, e41 | Electro válvula Lavado. | Wash electrically operated valve | Electrovanne Lavage | Elektroventil Hauptwaschgang | Electrovalvola Lavaggio |
| e5 | Electro válvula Lejía. | Bleach electrically operated valve | Electrovanne Eau de Javel | Elektroventil Bleiche | Electrovalvola Candeggina |
| e6 | Electro válvula Suavizante. | Fabric softener electrically operated valve | Electrovanne Assouplissant | Elektroventil Weichspüler | Electrovalvola Ammorbidente |
| e7 | Electro válvula agua Descalcificada | Delimed water electrically operated valve | Electrovanne eau Adoucie | Elektroventil entkalktes Wasser | Electrovalvola acqua Decalcificata |
| e11 | Electro válvula Vapor. | Steam electrically operated valve | Electrovanne Vapeur | Elektroventil Dampf | Equilibrado Vapore |
| EB | Electro válvula de aire Basculación Trasera | Air Valve of the Back Tilling | Soupape à air de l'inclinaison arrière | Luftventil des rückseitigen Kippens | Valvola per aria di inclinazione posteriore |
| EF | Electro válvula de aire Basculación Frontal | Air Valve of the Front Tilling | Soupape à air de l'inclinaison avant | Luftventil des vorderen Kippens | Valvola per aria di inclinazione anteriore |
| EP | Electromán de Puerta. | Door electric magnet | Électroaimant de Porte | Elektromagnet Gerätetur | Elektromagnet Porta |
| FI | Fusible. | Interference filter | Filter Anti-parasites | Störungsfilter | Filter Interferenze |
| F | Pulsador Parada de emergencia. | Emergency stop push button | Bouton-pousoir Arrêt d'urgence | Sicherung | Fusibile |
| IE | Interruptor general. | General switch | Interrupteur général | Not-Aus-Taster | Pulsante Arresto di emergenza |
| IG | Interruptor de seguridad. | General safety switch | Interrupteur général | Hauptschalter | Interruptore generale |
| IGS | Interruptor Basculación Trasero del Mando. | Back Tilling Switch of Control | Interrupteur Général | Hauptschalter | Interruptore generale di sicurezza |
| IB | Interruptor Rotación a Derechas del Mando. | Switch of Spins to the Right of Control | Commutateur de rotation arrière de commande | Rückseitiger Kippenschalter der Steuerung | Interruptore di inclinazione posteriore di controllo |
| Irbh | Interruptor de desequilibrio. | Unbalance switch | Commutateur des rotations à la droite de la commande | Schalter von Drehbeschleunigungen auf der rechten Seite der Steuerung | Interruptore delle rotazioni alla destra di controllo |
| IF | Interruptor Basculación Frontal Mando. | Front Tilling Switch of Control | Commutateur de rotation gauche de commande | Ungleichgewichtsschalter | Interruptore di equilibrio |
| IF2 | Interruptor Rotación a Izquierdas Mando | Switch of Left Spin of Control | Commutateur de rotation gauche de commande | Front. Tilling Switch of Control | Interruptore di inclinazione anteriore di controllo |
| Im | Interruptor Movimiento / Parada / Mando | Stopped Motion Switch | Détecteur Darrêt | Schalter der linken Drehbeschleunigung der Steuerung | Interruptore della rotazione di sinistra di controllo |
| Imo | Interruptor Monedero. | Coin slide switch | Interrupteur Monnayeur | Münzschalter | Interruptore Portamonete |
| Ip | Interruptor puerta Cerrada. | Closed door switch | Interrupteur porte Fermée | Schalter Tür geschlossen | Interruptore porta Chiusa |
| Ipb | Interruptor puerta Bloqueada. | Door lock switch | Interrupteur porte verrouillée | Schalter Tür verriegelt | Interruptore porta bloccata |
| Irbmj | Interruptor de Remojo del Mando | Soaking Switch of Control | Commutateur de trempage de commande | Tränkender Schalter der Steuerung | Interruptore d'incinazione di controllo |
| Isc | Interruptor seguridad Temperatura | Hi-limit. Thermostat | Thermostat Limiteur | Grenzthermostat | Termostato Limitatore |
| Iv | Interruptor Vapor | Steam Switch | Commutateur de vapeur | Dampf-Schalter | Interruptore del vapore |
| M | Motor. | Motor | Motor | Motor | Motore |
| MB | Interruptor seguridad Basculación Trasero. | Back Tilling Hi-limit Switch | Back Tilling Hi-limit Switch | | |
| MF | Interruptor seguridad Basculación Frontal. | Front Tilling Hi-limit Switch | Front Tilling Hi-limit Switch | | |
| Mlo | Monedero. | Coin slot | Monnayeur | Münzvorrichtung | Portamonete |
| NTC | Sensor temperatura. | Temperature sensor | Capteur température | Temperatursensor | Sensore temperatura |
| PB | Presostato Basculación Trasero | Back Tilling Air Pressure Low-Limit | Front Tilling Air Pressure Low-Limit | | |
| PF | Presostato Basculación Frontal | Front Tilling Air Pressure Low-Limit | Water Level Switch | | |
| P, P2 | Presostato Nivel de agua | Water Level Switch | | | |
| PRG | Circuito Programador. | Programmer Circuit | Circuit Programmeur | Kreislauf Programmier-richtung | Circuito Programatore |
| PTC | PTC. | PTC | PTC | PTC | PTC |
| Rb | Rele Basculación Trasero | Back Tilling Relay | Relais Tilling Relay | | |
| Rf | Rele Basculación Frontal | Front Tilling Relay | Relais Détecteur Darrêt | | |
| Rm | Rele movimiento / Parada | Stopped Motion Relay | Relais porte Fermée | | |
| Rp | Rele Puerta | Closed door Relay | Relais porte verrouillée | | |
| Rpb | Rele Puerta Bloqueada | Door lock Relay | Resistance Chauffe | | |
| RT | Resistencia Calentamiento. | Heating Resistors | Thermostat Limiteur | Widerstand Aufheizung | Resistenza Riscaldamento |
| TL | Limitador Temperatura | Hi-limit. Thermostat | Thermique du Moteur | Motorwärmeschalter | Termostato Limitatore |
| Tm | Térmico de Motor. | Motor hot-wire | Transformateur | Transformator | Térmico del Motore |
| Trf | Transformador | Transformer | Transformateur | Transformator | Transformatore |
| Trf SIN | Transformador Versión sin Neutro. | Transformer Version without Neutral | Transformateur Version sans Neutre | Transformator Modell ohne Neutralstellung | Transformatore Versione senza Neutro |
| VAC, VAC2 | Válvula Vaciado | Emptying valve | Vanne Vidange | Ablässventil | Valvola Scarico |
| VE, VE1, VE2 | Ventilador. | Fan | Ventilateur | Ventilator | Ventola |
| VF | Convertidor de Frecuencia. | Frequency converter | Convertisseur de Fréquence | Frequenzumwandler | Convertitore di Frequenza |
| VM | Ventilador Motor. | Fan motor | Ventilateur Moteur | Ventilator Motor | Ventola Motore |
| 1...8 | Puntos conexión dosificadores. | Feeder connection points | Points raccordement doseurs | Anschlussstellen Dosier-richtungen | Punti connessione dosatori |
| 9 - 10 | Entrada de la central de pago 24V = | Central Entrance of payment | Entrée de la central de paiement | | |
| 11 - 12 | Salida hacia la central de pago | Exit towards Central of Payment | | | |
| COLOR | COLORES | COLOURS | COULEURS | FARBEN | COLORE |
| a | Azul | Blue | Bleu | Blaue | Blu |
| am | Amarillo | Yellow | Jaune | Gelb | Giallo |
| am/ve | Amarillo/verde | Yellow / green | Jaune / vert | Gelb/grün | Giallo/verde |
| b | Bianco | White | Blanc | Weiß | Bianco |
| g | Gris | Grey | Gris | Grau | Grigio |
| m | Marron | Brown | Marron | Braun | Marrone |
| n | Negro | Black | Noir | Schwarz | Nero |
| na | Naranja | Orange | Orange | Orange | Arancio |
| r | Rojó | Red | Rouge | Rot | Rosso |
| rs | Rosa | Pink | Rosee | Rosa | Rosa |
| ve | Verde | Green | Vert | Grün | Verde |
| vi | Violeta | Purple | Violet | Violett | Violeta |
| | | | | | P623014000 |