

---

DESPIECE TECNICO / SPARE PARTS BOM

---

**Lavadoras  
Lava-linge  
Washing machines  
Waschmaschine  
Lavatrici  
Máquinas de lavar roupa**

**Modelos / Models:**

**LR-10 M**

**LA-10 M**

**LR-13 M**

**LA-13 M**

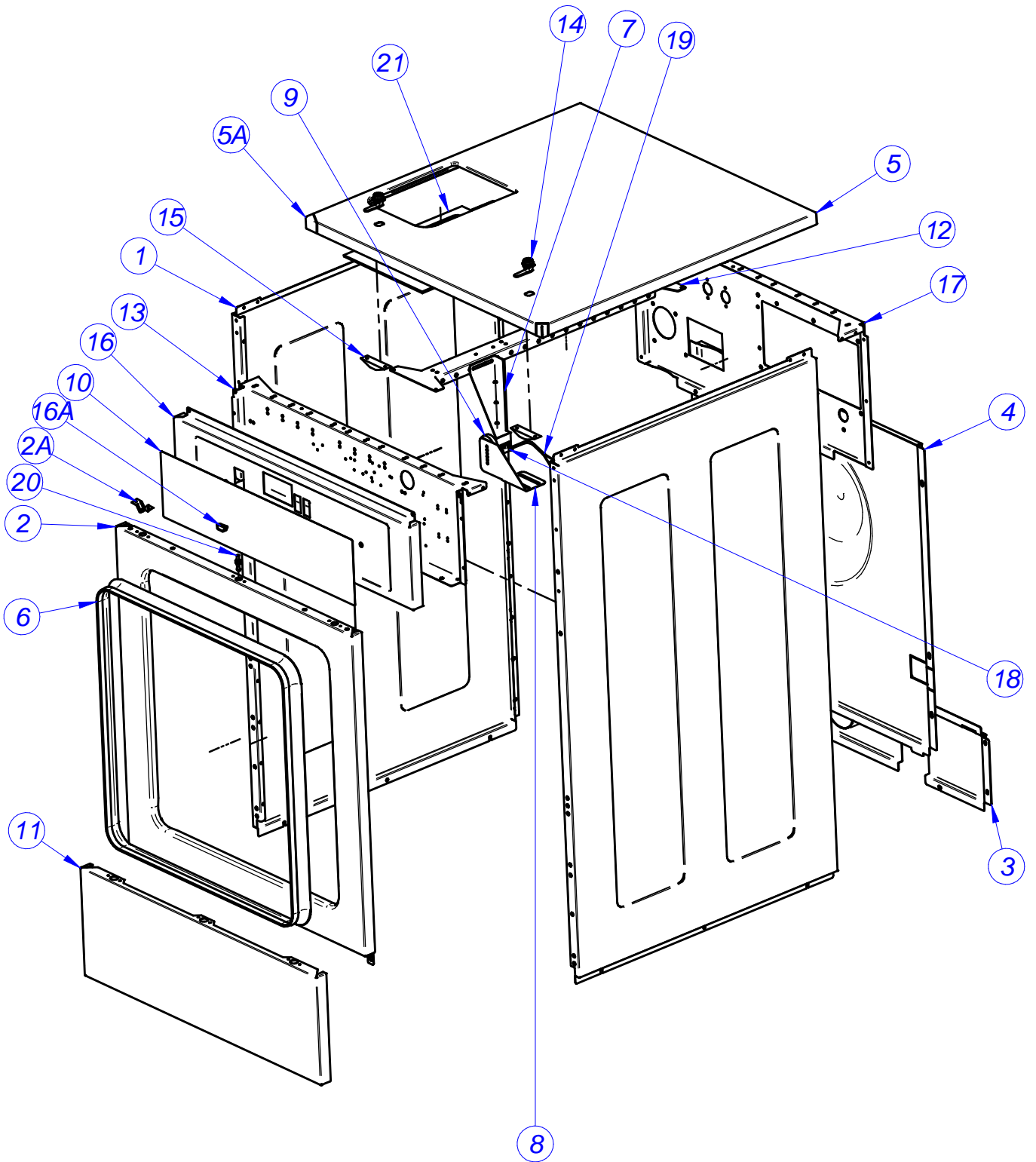
***Noviembre 2010 November***

***Revisado Septiembre 2015 September Revised***



---

F A G O R I N D U S T R I A L

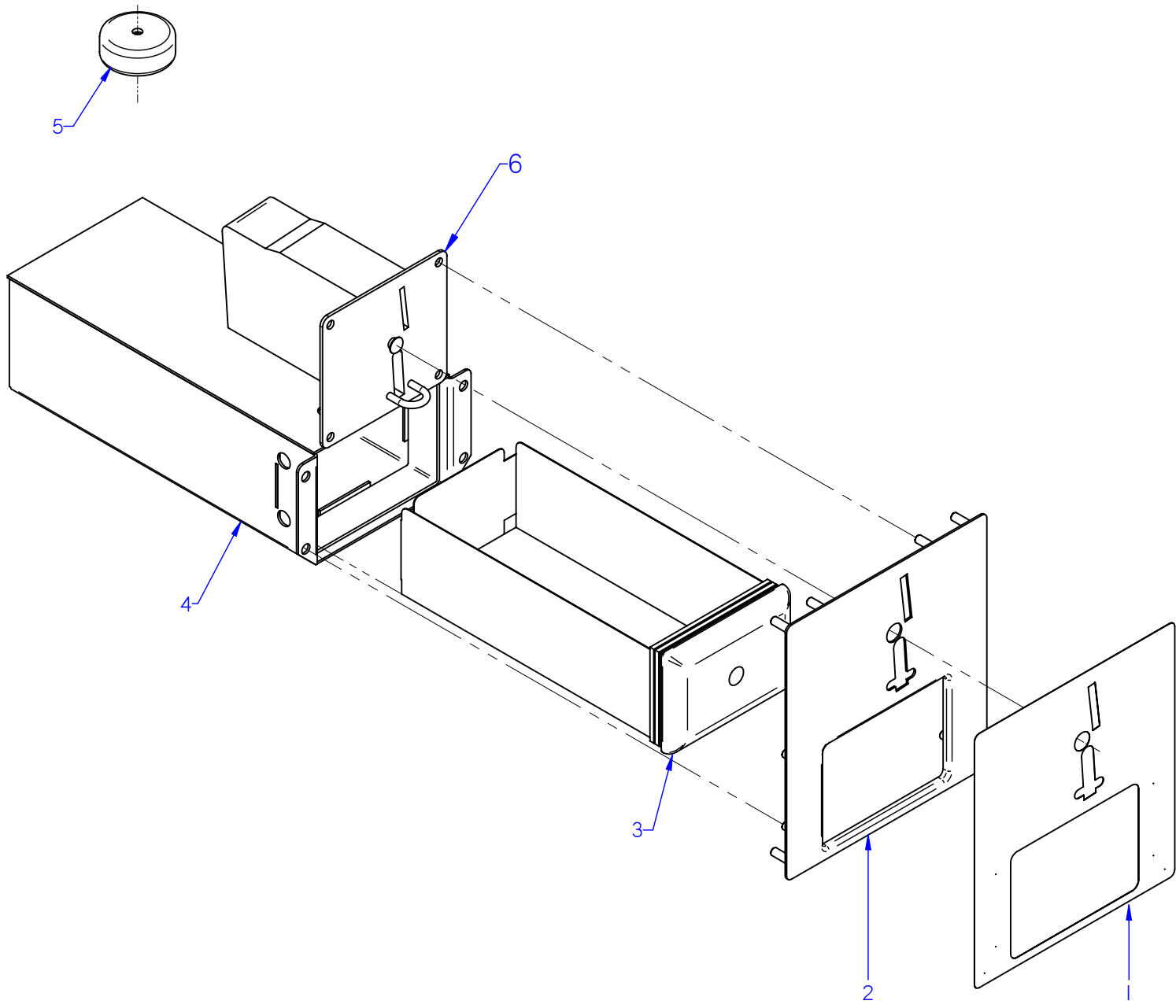


MUEBLE / CABINET LA/LR-10/13

MUEBLE / CABINET																ELIMINADO ELIMINATED	INTRODUCIDO INTRODUCED	
ITEM	DENOMINACION	NAME	CODIGO	LR-10			LA-10			LR-13			LA-13					
				MP	M	MA	MP	M	MA	MP	M	MA	MP	M	MA			
1	PANEL LATERAL	SIDE PANEL	12110867	2	2	2	2	2	2									
			12110869							2	2	2	2	2	2			
2	PANEL FRONTAL	FRONT PANEL	12116088	1	1	1	1	1	1								25,07,14	
			12116090							1	1	1	1	1	1			25,07,14
2A	CIERRE MUELLE	LOCK SPRING	X010503000	6	6	6	6	6	6	6	6	6	6	6	6			
3	PANEL POSTERIOR DESAGUE	DRAINAGE REAR PANEL	P610306000	1	1	1	1	1	1							01,12,13		
			12044179	1	1	1	1	1	1								01,12,13	
			P620306000							1	1	1	1	1	1	1	01,12,13	
			12044189							1	1	1	1	1	1	1		01,12,13
4	PANEL POSTERIOR	REAR PANEL	P610362000	1	1	1	1	1	1									
			P620382000							1	1	1	1	1	1			
5	ENCIMERA	WORKTOP	P610353000	1	1	1	1	1	1							12,03,12		
			12110887	1	1	1	1	1	1								12,03,12	
			P620375000							1	1	1	1	1	1	1	12,03,12	
			12110884							1	1	1	1	1	1	1		12,03,12
5A	CANTONERA R1	R1 CORNER	12039188	2	2	2	2	2	2	2	2	2	2	2	2			
6	CORTINA (METROS)	CURTAIN (METRES)	P620324000	2	2	2	2	2	2	2,5	2,5	2,5	2,5	2,5	2,5			
7	PORTA SENSOR DESEQ.	IMBALANCE SENSOR HOLDER	P627064000				1	1	1									
			P630315000										1	1	1			
8	SOPORTE IMAN DESEQ.	IMBALANCE MAGNET HOLDER	P627063000				1	1	1				1	1	1			
9	IMAN DESEQUILIBRIO	IMBALANCE MAGNET HOLDER	P620337000				1	1	1				1	1	1			
10	ADHESIVO	ADHESIVE	12007721	1			1			1			1					
			12007722		1			1			1			1				
			12007719			1		1				1			1			
10	ADHESIVO CP FAGOR MA	PC ADHESIVE FAGOR MA	12007741			1		1				1		1		18,03,14		
11	ZOCALO	SKIRTING	12116089	1	1	1	1	1	1								25,07,14	
			12111769							1	1	1	1	1	1			25,07,14
	KIT ZOCALO 10	ZOCALO KIT 10	1300000195															
	KIT ZOCALO 13	ZOCALO KIT 13	1300000196															
12	TRAVESANO CUBETERA	TRAY CROSS PIECE	P620377000	1	1	1	1	1	1	2	2	2	2	2	2			
13	CONTRAPORTAMANDOS	COUNTERCONTROL HOLDER	P610356000	1	1		1	1										
			P610361000			1			1									
			P620373000							1	1		1	1				
			P620381000									1			1			
14	CERRADURA	LOCK	P620351000	2	2		2	2		2	2		2	2				
			P620387000			2			2			2			2			
15	RAMPA CIERRE ENCIMERA	WORKTOP LOCK RAMP	P620379000	2	2	2	2	2	2	2	2	2	2	2				

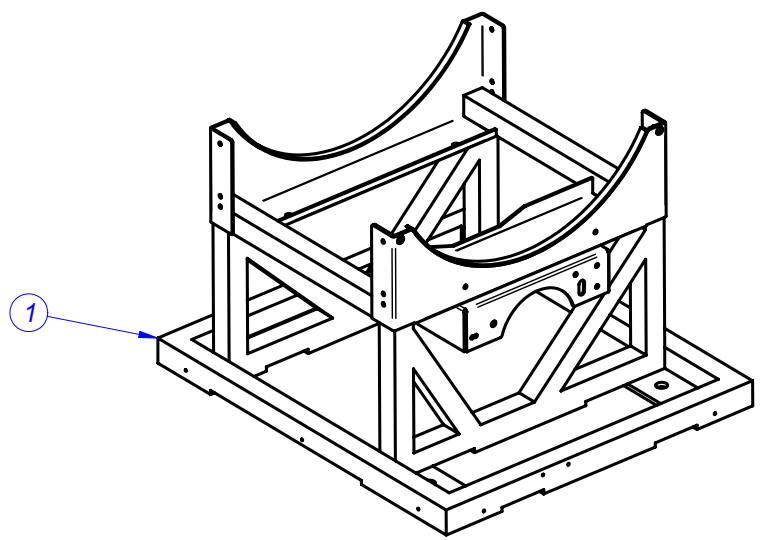
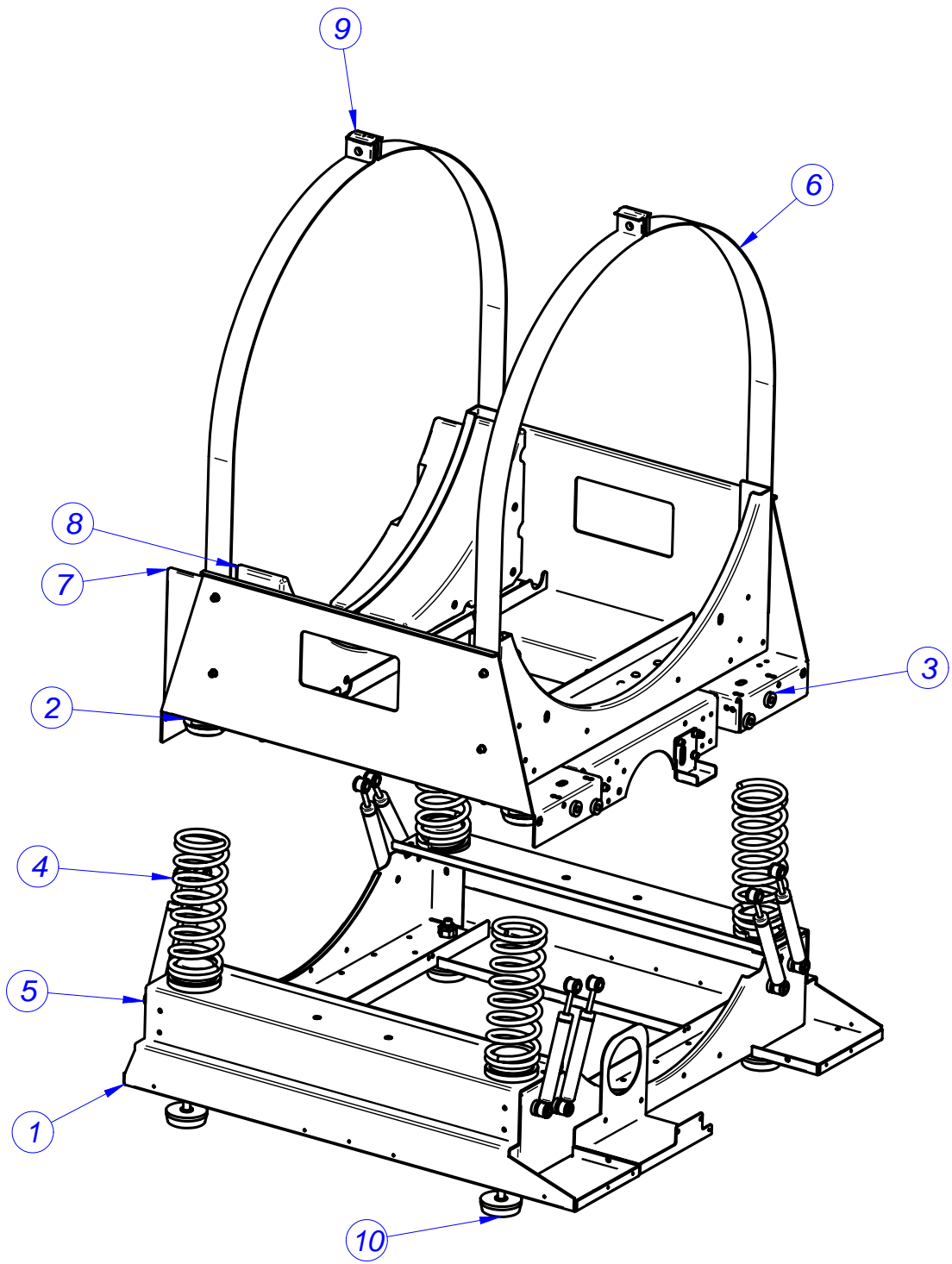
**MUEBLE / CABINET**

ITEM	DENOMINACION	NAME	CODIGO	LR-10			LA-10			LR-13			LA-13			ELIMINADO ELIMINATED	INTRODUCIDO INTRODUCED
				MP	M	MA	MP	M	MA	MP	M	MA	MP	M	MA		
				16	PORTAMANDOS	CONTROL HOLDER	P610357000 P610358000 P620374000 P620380000	1   	1   	 1  	1   	1   	   	   	   		
16A	TAPON PUERTO SERIE PROG.	PORT PLUG	12023349	1			1			1			1				
17	SOPORTE ELECTROVALVULAS	SOLENOID VALVE SUPPORT	P610352000 P620372000	1  	1  	1  	1  	1  				1  	1  	1  			
18	AMARRE SENSOR	IMBALANCE SENSOR FASTENIN.	Z203010000				1	1	1				1	1	1		
19	SENSOR DESEQUILIBRIO	SENSOR IMBALANCE	Z203009000				1	1	1				1	1	1		
20	PITON	PITON	X012612000	10	10	10	10	10	10	10	10	10	10	10	10		
21	JUNTA CUBETA	TRAY SEAL	P610360000	1	1	1	1	1	1	1	1	1	1	1	1		



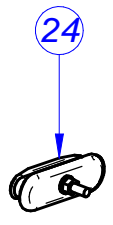
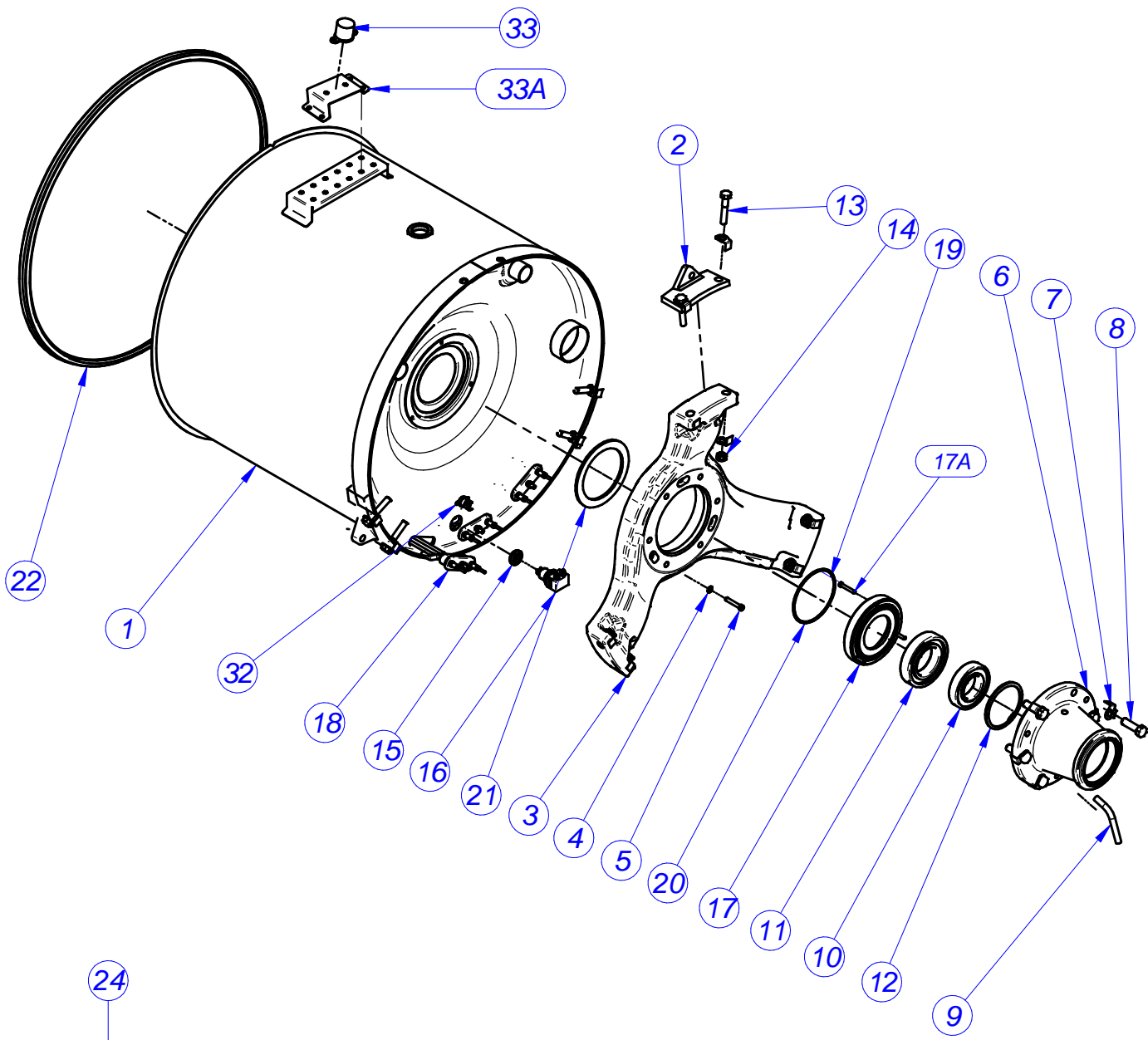
KIT MONEDERO

KIT MONEDERO / COIN SLOT KIT																ELIMINADO ELIMINATED	INTRODUCIDO INTRODUCED	
ITEM	DENOMINACION	NAME	CODIGO	LR-10			LA-10			LR-13			LA-13					
				MP	M	MA	MP	M	MA	MP	M	MA	MP	M	MA			
1	ADHESIVO MONEDERO FAGOR	COIN SLOT ADHESIVE FAGOR	12007739			1			1			1			1			
2	CHAPA MONEDERO COMPL.	COIN SLOT PLATE COMPL.	12003367			1			1			1			1			
S/Nº	TAPA MONEDERO COMPLETA FABR.	COIN SLOT PLATE TOP COMPL.	12095202			1			1			1			1			
3	CAJON MONEDAS	COIN DRAWER	P610407000			1			1			1			1			
4	PORTA CAJA MONEDAS COMPL.	COIN BOX HOLDER COMPL.	P614011000			1			1			1			1			
5	TRANSFORMADOR MONEDERO	COIN SLOT TRANSFORMER	P624014000			1			1			1			1			
6	MONEDERO WH (EUR-GBP)	COIN SLOT WH (EUR-GBP)	12023342			1			1			1			1			
6	MONEDERO WH (ARS-CLP-BRL)	COIN SLOT WH (ARS-CLP-BRL)	12044494			1			1			1			1			
6	MONEDERO WH (AUD-NZD-JPY)	COIN SLOT WH (AUD-NZD-JPY)	12044490			1			1			1			1			
6	MONEDERO WH (CNY-TWD-HKD)	COIN SLOT WH (CNY-TWD-HKD)	12044488			1			1			1			1			
6	MONEDERO WH (MAD-DZD-TND)	COIN SLOT WH (MAD-DZD-TND)	12044496			1			1			1			1			
6	MONEDERO WH (MYR-SGD-IDR)	COIN SLOT WH (MYR-SGD-IDR)	12044489			1			1			1			1			
6	MONEDERO WH (RUB-ROB-CZK)	COIN SLOT WH (RUB-ROB-CZK)	12044492			1			1			1			1			
6	MONEDERO WH (TRY-PLN)	COIN SLOT WH (TRY-PLN)	12044491			1			1			1			1			
6	MONEDERO WH (USD-MXN-CAD)	COIN SLOT WH (USD-MXN-CAD)	12044487			1			1			1			1			
6	MONEDERO WH (VEF-PEN-COP)	COIN SLOT WH (VEF-PEN-COP)	12044493			1			1			1			1			
	FAGOR KIT MONEDERO EUR-GBP	FAGOR KIT COIN EUR-GBP	19004589														23,01,13	
	FAGOR KIT MONEDERO EUR-GBP	FAGOR KIT COIN 2013 EUR-GBP	19012640	A PARTIR DEL Nº DE SERIE 810006036														23,01,13
	FAGOR KIT MONEDE. ARS-CLP-BRL	FAGOR KIT COIN ARS-CLP-BRL	19011106														23,01,13	
	FAGOR KIT MONEDE. ARS-CLP-BRL	FAGOR KIT COIN 2013 ARS-CLP-BRL	19012641	A PARTIR DEL Nº DE SERIE 810006036														23,01,13
	FAGOR KIT MONEDE. AUD-NZD-JPY	FAGOR KIT COIN AUD-NZD-JPY	19004592														23,01,13	
	FAGOR KIT MONEDE. AUD-NZD-JPY	FAGOR KIT COIN 2013 AUD-NZD-JPY	19012642	A PARTIR DEL Nº DE SERIE 810006036														23,01,13
	FAGOR KIT MONED. CNY-TWD-HKD	FAGOR KIT COIN CNY-TWD-HKD	19004591														23,01,13	
	FAGOR KIT MONED. CNY-TWD-HKD	FAG. KIT COIN 2013 CNY-TWD-HKD	19012643	A PARTIR DEL Nº DE SERIE 810006036														23,01,13
	FAGOR KIT MONED. MAD-DZD-TND	FAGOR KIT COIN MAD-DZD-TND	19011222														23,01,13	
	FAGOR KIT MONED. MAD-DZD-TND	FAGOR KIT COIN 2013 MAD-DZD-TND	19012644	A PARTIR DEL Nº DE SERIE 810006036														23,01,13
	FAGOR KIT MONED. MYR-SGD-IDR	FAGOR KIT COIN MYR-SGD-IDR	19011062														23,01,13	
	FAGOR KIT MONED. MYR-SGD-IDR	FAGOR KIT COIN 2013 MYR-SGD-IDR	19012645	A PARTIR DEL Nº DE SERIE 810006036														23,01,13
	FAGOR KIT MONED. RUB-ROB-CZK	FAGOR KIT COIN RUB-ROB-CZK	19011220														23,01,13	
	FAGOR KIT MONED. RUB-ROB-CZK	FAGOR KIT COIN 2013 RUB-ROB-CZK	19012646	A PARTIR DEL Nº DE SERIE 810006036														23,01,13
	FAGOR KIT MONEDERO TRY-PLN	FAGOR KIT COIN TRY-PLN	19011104														23,01,13	
	FAGOR KIT MONEDERO TRY-PLN	FAGOR KIT COIN 2013 TRY-PLN	19012647	A PARTIR DEL Nº DE SERIE 810006036														23,01,13
	FAGOR KIT MONED. USD-MXN-CAD	FAGOR KIT COIN USD-MXN-CAD	19004590														23,01,13	
	FAGOR KIT MONED. USD-MXN-CAD	FAGOR KIT COIN 2013 USD-MXN-CAD	19012648	A PARTIR DEL Nº DE SERIE 810006036														23,01,13
	FAGOR KIT MONED. VEF-PEN-COP	FAGOR KIT COIN VEF-PEN-COP	19011221														23,01,13	
	FAGOR KIT MONED. VEF-PEN-COP	FAG. KIT COIN 2013 VEF-PEN-COP	19012649	A PARTIR DEL Nº DE SERIE 810006036														23,01,13

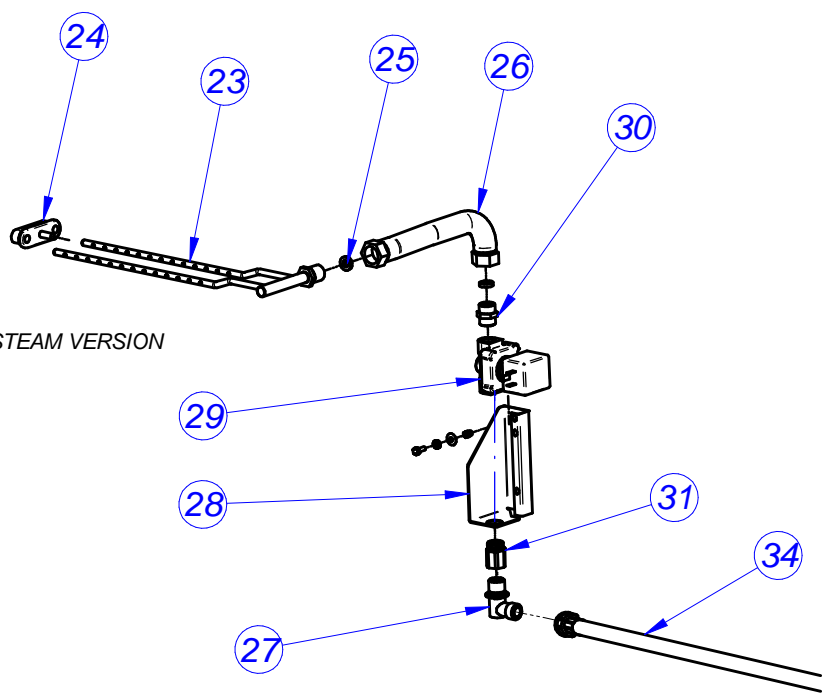


CUNA - ARMAGON / CRADLE - FRAME																ELIMINADO ELIMINATED	INTRODUCIDO INTRODUCED			
ITEM	DENOMINACION	NAME	CODIGO	LR-10			LA-10			LR-13			LA-13							
				MP	M	MA	MP	M	MA	MP	M	MA	MP	M	MA					
1	ARMAGON	FRAME	P614001000	1	1	1											02.05.11			
			P614040000	1	1	1													02.05.11	
			P610114000				1	1	1											
			P624001000								1	1	1						02.05.11	
			P624032000								1	1	1							02.05.11
			P620104000										1	1	1					
2	BASE MUELLE	SPRING BASE	P620106000				8	8	8				8	8	8		15.07.13			
2	BASE MUELLE 25	SPRING BASE 25	12023345				8	8	8				8	8	8			15.07.13		
3	CASQUILLO AMORTIGUADOR	DAMPER BUSHING	P620107000				8	8	8				16	16	16					
4	MUELLE	SPRING	P610105000				4	4	4											
			P620105000										4	4	4					
5	AMORTIGUADOR	DAMPER	P620115000				4	4	4											
			P620126000										8	8	8					
6	CUNA	CRADLE	P610216000				1	1	1											
			P620207000										1	1	1					
7	CONTRAPESO ANTERIOR	FRONT COUNTERWEIGHT	P610207000				2	2	2											
			P620201000										2	2	2					
8	CONTRAPESO POSTERIOR	REAR COUNTERWEIGHT	P610207000				2	2	2											
			P620201000										2	2	2					
9	AMARRE ABRAZADERA	CLAMP FASTENING	P640215000	4	4	4	4	4	4	4	4	4	4	4	4					
10	PATA	LEG	P626521000				4	4	4				4	4	4					





HOT WATER VERSION

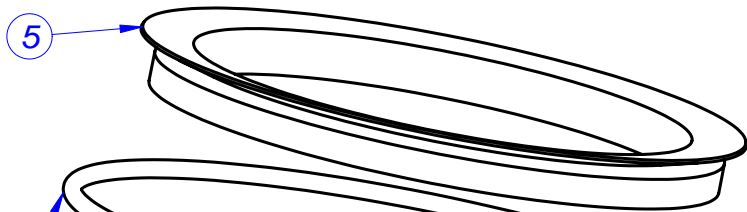
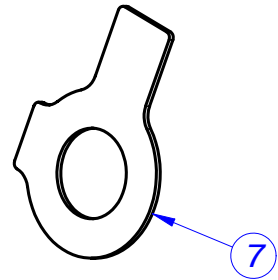
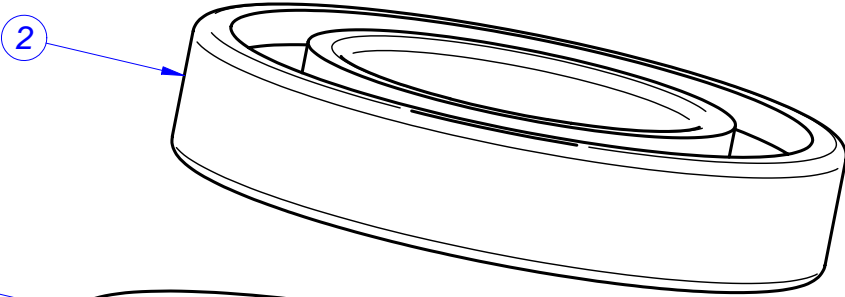
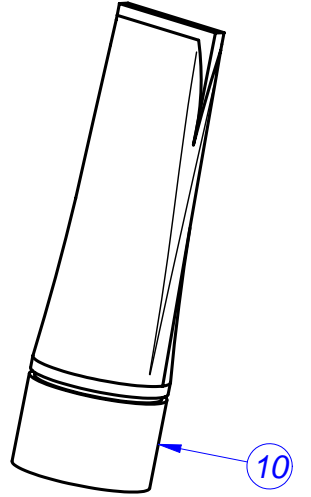
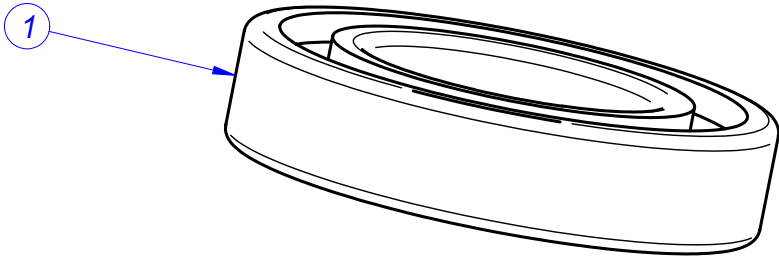
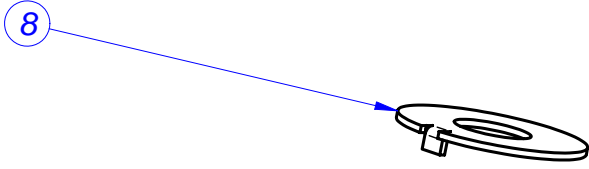
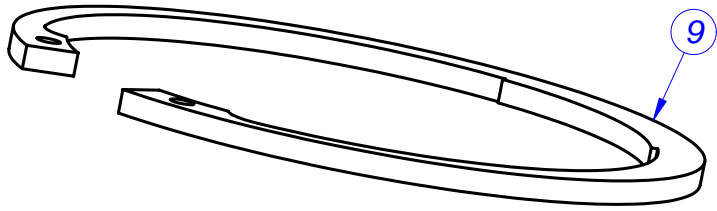


STEAM VERSION

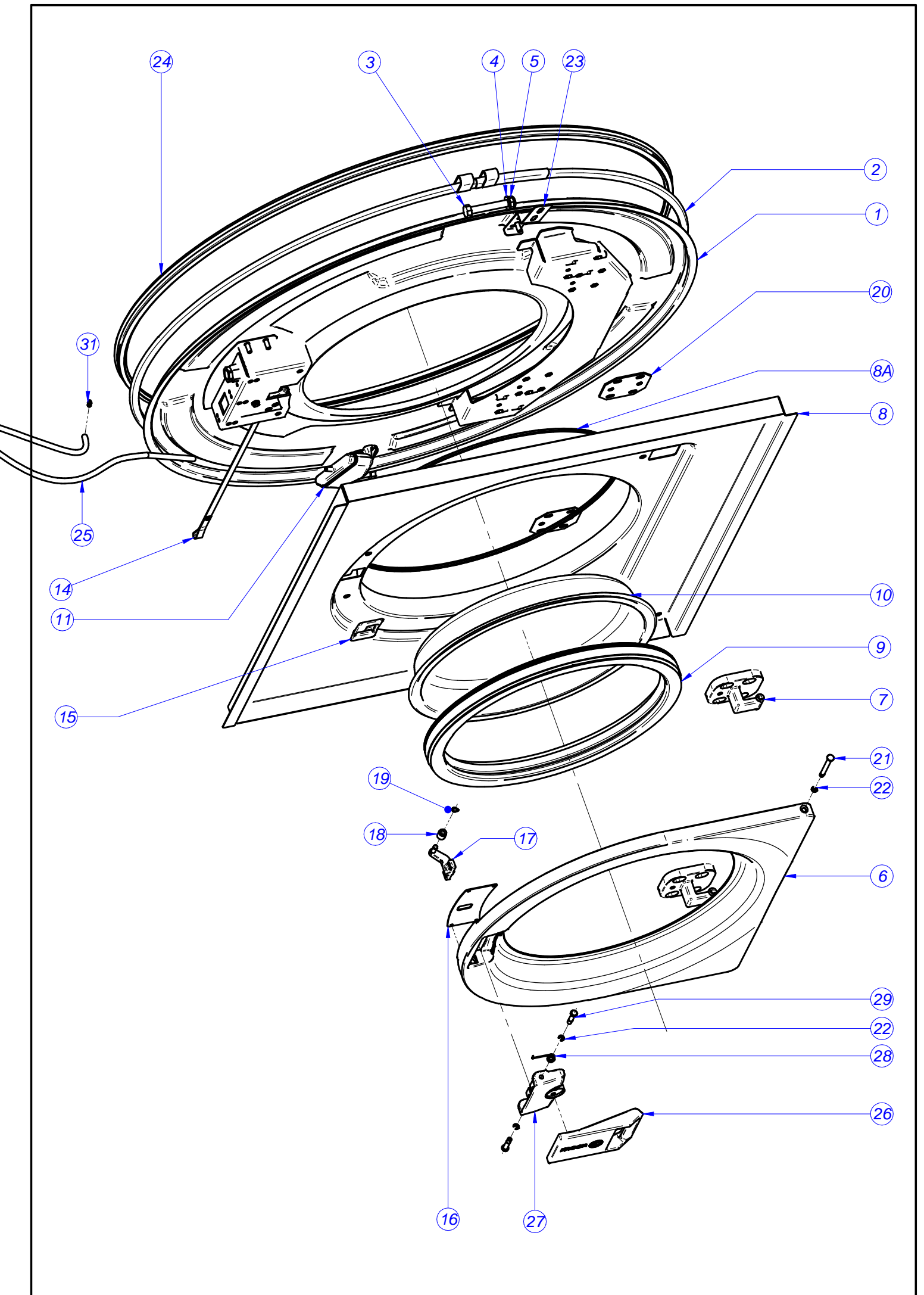
CUBA / TUB

CUBA / TUB																ELIMINADO ELIMINATED	INTRODUCIDO INTRODUCED	
ITEM	DENOMINACION	NAME	CODIGO	LR-10			LA-10			LR-13			LA-13					
				E	AC	V	E	AC	V	E	AC	V	E	AC	V			
1	CUBA	TUB	P616117000	1	1	1	1	1	1							01.12.13		
			12004007	1	1	1	1	1	1									01.12.13
			P626115000							1	1	1	1	1	1		01.12.13	
			12004026							1	1	1	1	1	1			01.12.13
2	APOYO TORNILLOS	SCREW SUPPORT	P616011000	1	1	1	1	1	1									
			P626014000							1	1	1	1	1	1			
3	REFUERZO FONDO CUBA	TUB BASE REINFORCEMENT	P616003000	1	1	1	1	1	1									
			P626001000							1	1	1	1	1	1			
4	ARANDELA	WASHER	Q232040000	3	3	3	3	3	3	3	3	3	3	3	3			
5	TORN. INTERIOR REFUERZO	HEXAGONAL INTERIOR REINFOR	Q122045000	3	3	3	3	3	3	3	3	3	3	3	3			
6	SOPORTE RODAMIENTOS	BEARING SUPPORT	P616004000	1	1	1	1	1	1							15.10.13		
			12095450	1	1	1	1	1	1								15.10.13	
			P626002000							1	1	1	1	1	1		15.10.13	
			12095451							1	1	1	1	1	1			15.10.13
7	ARANDELA SEGURIDAD	SAFETY WASHER	Q271302000	18	18	18	18	18	18	6	6	6	6	6	6			
			Q271306000							12	12	12	12	12	12			
			Q271304000															
8	TORN. SOP. RODAMIENTOS	BEARING SUPPORT SCREW	Q151528000	6	6	6	6	6	6									
			Q151529000							6	6	6	6	6	6			
9	TUBO EVACUACION	DRAINAGE PIPE	P626015000	1	1	1	1	1	1	1	1	1	1	1	1			
10	RODAMIENTO EXTERIOR	OUTER BEARING	P616008000	1	1	1	1	1	1									
			P626008000							1	1	1	1	1	1			
11	RODAMIENTO INTERIOR	INNER BEARING	P616009000	1	1	1	1	1	1									
			P626009000							1	1	1	1	1	1			
12	ANILLO SEGURIDAD	CIRCLIP	Q301044000	1	1	1	1	1	1									
			Q301030000							1	1	1	1	1	1			
13	TORN. REFUERZO CUBA	TUB REINFORCEMENT SCREW	Q151529000	6	6	6	6	6	6									
			Q151530000							6	6	6	6	6	6			
14	TUERCA REFUERZO CUBA	TUB REINFORCEMENT NUT	Q221307000	6	6	6	6	6	6									
			Q221338000							6	6	6	6	6	6			
15	SOP.TERMOSTATO 1001713	THERMOSTAT SUPPORT 1001713	N503017000	1	1	1	1	1	1	1	1	1	1	1	1			
16	SONDA TEMPERATURA	TEMPERATURE PROBE	P503025000	1	1	1	1	1	1	1	1	1	1	1	1			
17	CASQUILLO CONTRARETEN	COUNTERSEAL BUSHING	P616005000	1	1	1	1	1	1									
			P626003000							1	1	1	1	1	1			
17A	TORNILLO INOX M5X30MM DIN912	S. STEEL BOLT M5X30 DIN912	12010170	3	3	3	3	3	3	3	3	3	3	3	3			
18	RESISTENCIA CALENTAMIENTO	HEATING RESISTOR	P613008000	3			3	1								01.07.14		
			12096226	3			3	1									01.07.14	
			P623005000							3			3	1		01.07.14		
			12096023							3			3	1			01.07.14	
19	TORN. CASQ. CONTRARETEN	COUNTERSEAL BUSHING SCREW	Q122034000	3	3	3	3	3	3	3	3	3	3	3				

CUBA / TUB																ELIMINADO ELIMINATED	INTRODUCIDO INTRODUCED
ITEM	DENOMINACION	NAME	CODIGO	LR-10			LA-10			LR-13			LA-13				
				E	AC	V	E	AC	V	E	AC	V	E	AC	V		
20	JUNTA TÓRICA	O-RING	Q307073000	1	1	1	1	1	1								
			Q307075000							1	1	1	1	1	1		
21	JUNTA CASQ. CONTRARETEN	COUNTERSEAL BUSHING SCREW	P616013000	1	1	1	1	1	1	1	1	1	1	1			
			P616104000	1	1	1	1	1	1								
22	JUNTA CUBA	TUB SEAL	P626110000							1	1	1	1	1	1		
			P615001000			1			1			1			1		
23	INYECTOR VAPOR 10,13,18	STEAM JET 10,13,18	P445011000			1			1			1			1		
24	CIERRE INYECTOR	INJECTOR CAP	P615002000			1			1			1			1		
24	CIERRE INYECTOR / RESIST.	INJECTOR AND HEATING CAP	12024539		3	2		2	2		3	2		2	2		
25	ARANDELA VAPOR 10, 13, 18	STEAM WASHER 10, 13, 18	P525005000			2			2			2			2		
26	MANGUERA VAPOR	STEAM HOSE	S115013000			1			1			1			1		
27	CODO	L-BEND	P620327000			1			1			1			1		
28	SOPORTE VALVULA	VALVE SUPPORT	P615003000			1			1			1			1		
29	VALVULA VAPOR	STEAM VALVE	S205023000			1			1			1			1		
30	RACOR M-M	M-M CONNECTION	X162101000			1			1			1			1		
31	RACOR H-M	H-M CONNECTION				1			1			1			1		
32	TERMOSTATO SEG. 115°C UL	SAFETY THERMOSTAT 115°C UL	12047401	1	1	1	1	1	1	1	1	1	1	1	1	18.05.15	01.12.13
S/Nº	PASAMUROS BULBO	BUSHING BULB	12023546	1	1	1	1	1	1	1	1	1	1	1	1	18.05.15	01.12.13
S/Nº	SOPORTE TERMOSTATO SEG.	SAFETY THERMOSTAT SUPP.	12007537	1	1	1	1	1	1	1	1	1	1	1	1	18.05.15	01.12.13
32	LIMITADOR DE SEGURIDAD	SAFETY THERMOSTAT	12096597	1	1	1	1	1	1	1	1	1	1	1	1	SINCE 8100465840	
34	MANGUERA VAPOR	STEAM HOSE	12024330			1			1			1			1		



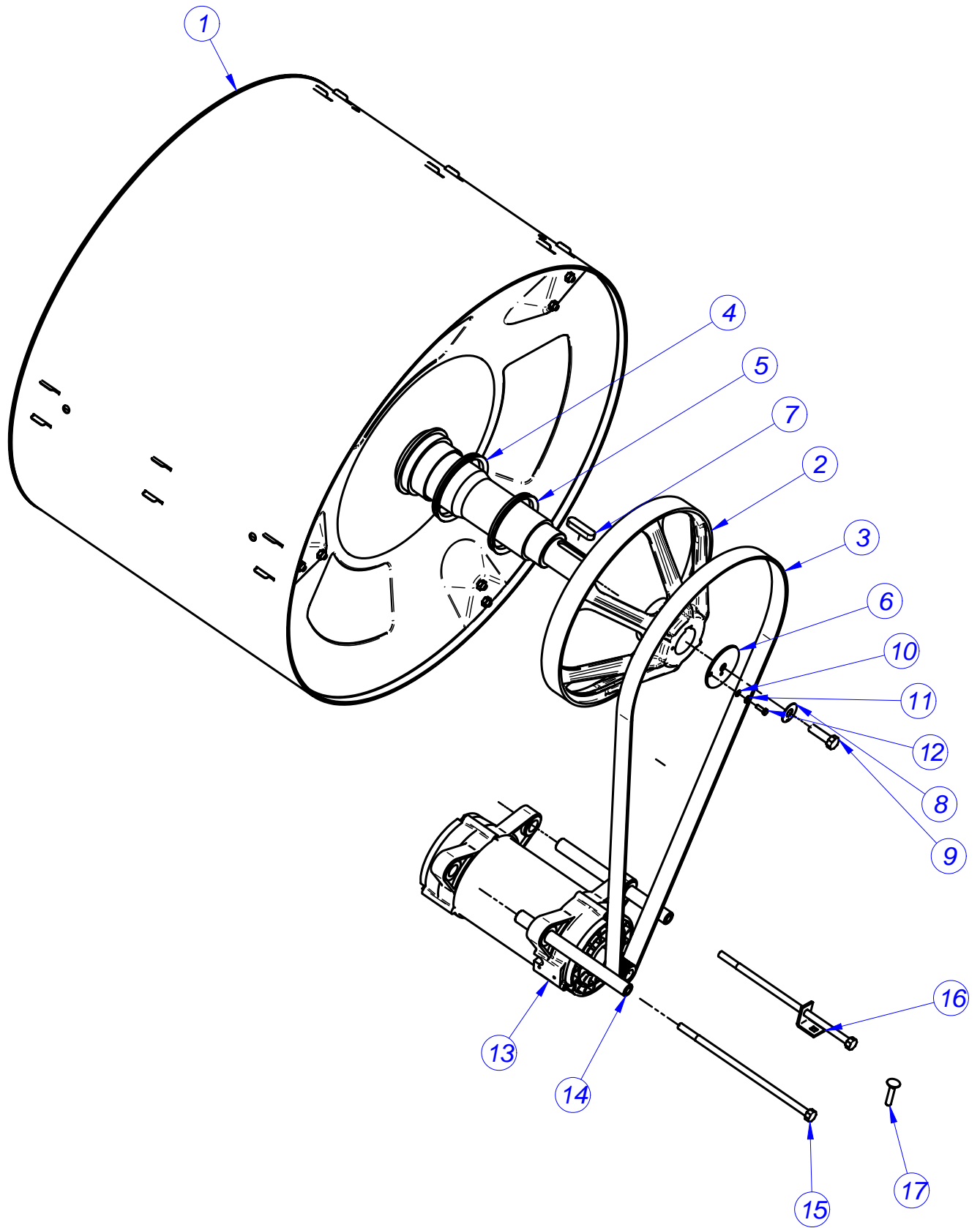
KIT RODAMIENTOS / BEARING KIT								ELIMINADO ELIMINATED	INTRODUCIDO INTRODUCED
ITEM	DENOMINACION	NAME	CODIGO	LR-10	LA-10	LR-13	LA-13		
	<b>KIT RODAMIENTOS 8</b>	<b>BEARING KIT 8</b>	<b>1300000083</b>	1	1				
	<b>KIT RODAMIENTOS 13</b>	<b>BEARING KIT 13</b>	<b>1300000084</b>			1	1		
1	RODAMIENTO EXTERIOR	OUTER BEARING	P616008000	1	1				
			P626008000			1	1		
2	RODAMIENTO INTERIOR	INNER BEARING	P616009000	1	1				
			P626009000			1	1		
3	JUNTA CASQ. CONTRARETEN	COUNTERSEAL BUSHING SCREW	P616013000	1	1	1	1		
4	RETEN V-RING 1	V-RING 1 RETAINER 1	P634911000	1	1				
			P624914000			1	1		
5	RETEN V-RING 2	V-RING RETAINER 2	P614911000	1	1				
			P624913000			1	1		
6	JUNTA TÓRICA	O-RING	Q307073000	1	1				
			Q307075000			1	1		
7	ARANDELA SEGURIDAD	SAFETY WASHER	Q271302000	18	18	6	6		
			Q271306000			12	12		
8	ARANDELA SEG. POLEA	SAFETY WASHER PULLEY	Q301329000	1	1	1	1		
9	ANILLO SEGURIDAD	CIRCLIP	Q301044000	1	1				
			Q301030000			1	1		
10	GRASA RETENES	GREASE SEALS	P536544000	1	1	1	1		



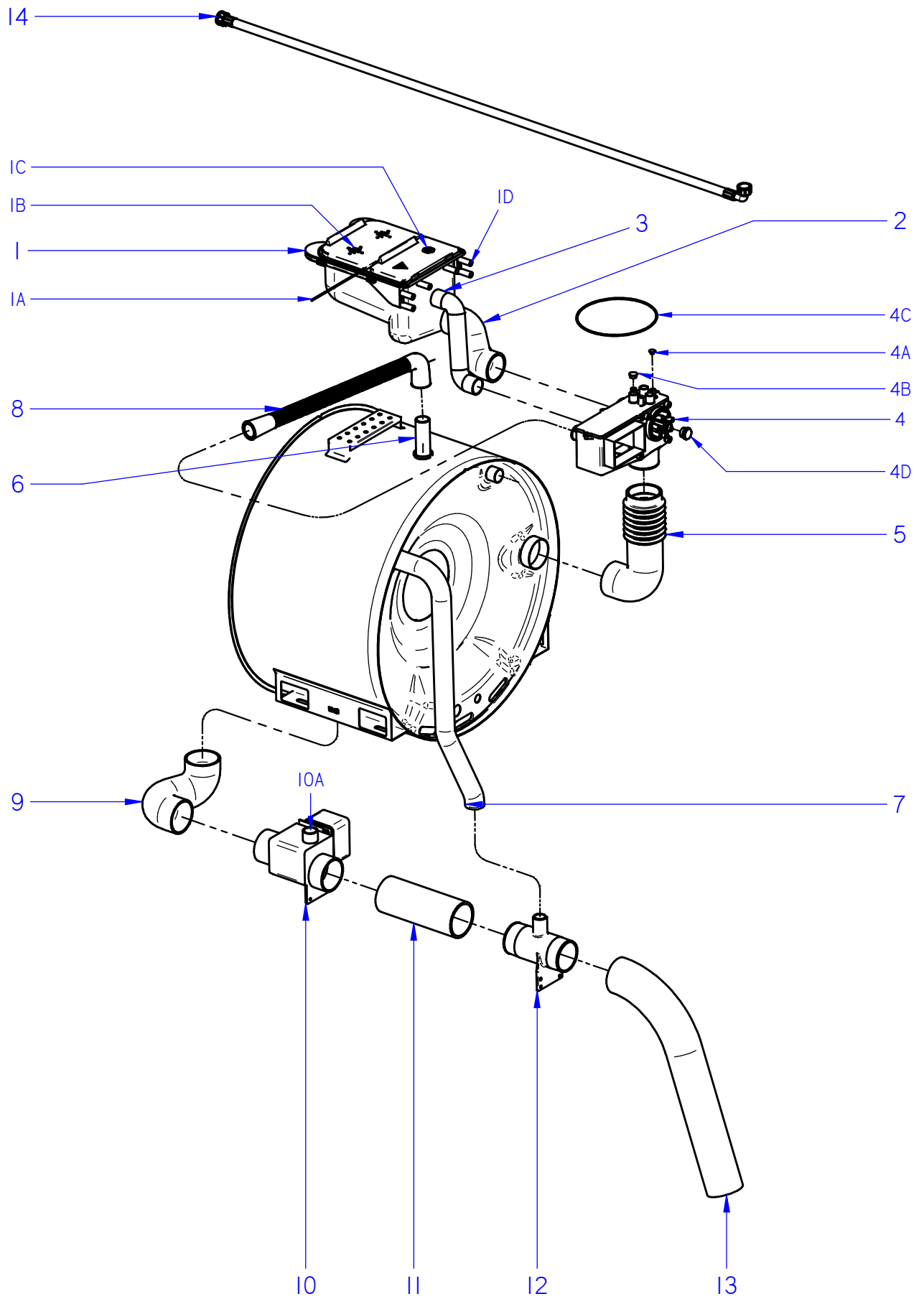
FRETE CUBA / TUB FRONT								ELIMINADO ELIMINATED	INTRODUCIDO INTRODUCED
ITEM	DENOMINACION	NAME	CODIGO	LR-10	LA-10	LR-13	LA-13		
1	FRETE CUBA COMPLETO	COMPLETE TUB FRONT	P616112000	1	1				
			P626112000			1	1		
2	CIERRE CUBA	TUB LOCK	P616102000	1	1				
			P626118000			1	1		
3	TORNILLO CIERRE CUBA	TUB LOCK SCREW	Q011369000	1	1	1	1		
4	ARAND. CIERRE	GROWER LOCK	Q232060000	2	2	2	2		
5	TUERCA CIERRE CUBA	TUB LOCK NUT	Q221306000	1	1	1	1		
6	PUERTA CON MANETA	DOOR WITH LEVER	P610512000	1	1				
			P620532000			1	1		
7	BISAGRA PUERTA	DOOR HINGE	P620502000	2	2	2	2		
			P610501000	1	1				
8	FONDO PUERTA	DOOR BASE	P620501000			1	1		
8A	PERFIL GOMA NEGRO EN U 9*4	BLACK RUBBER PROFILE U 9*4	11000081	1	1				
8A	PERFIL GOMA GRIS EN U 12*6	GREY RUBBER PROFILE U12*6	11000068			1	1		
9	JUNTA PUERTA	DOOR SEAL	P610508000	1	1				
			P620528000			1	1		
10	MIRILLA PUERTA	DOOR WINDOW	P440503000	1	1				
			P530503000			1	1		
11	CAMARA PRESOSTATO	PRESSURE SWITCH	P445002000	1	1	1	1	20,07,15	
11	CAMPANA TANQUE	TUB'S PRESSURE CHAMBER	12093146	1	1	1	1		20,07,15
12	CONDUCTO UNION	PIPE UNION	P502106000	1	1	1	1	20,07,15	
13	ABRAZADERA	CLAMP	Q881306000	2	2	2	2	20,07,15	
14	CIERRE COMPLETO	COMPLETE LOCK	12127838	1	1	1	1		
15	EMBELLECEDOR CIERRE	LOCK TRIM	P620515000	1	1	1	1	10,02,14	
15	EMBELLECEDOR CIERRE	LOCK TRIM	12096278	1	1	1	1		10,02,14
16	TAPA CIERRE	LID CLOSURE	P610504000	1	1				
			P627816000			1	1		
17	GANCHO CIERRE	LOCK HOOK	P620505000	1	1	1	1		
18	CASQUILLO	BUSHING	P610506000	1	1	1	1		
19	ANILLO SEGURIDAD	CIRCLIP	Q302061000	1	1	1	1		

FRENTE CUBA / TUB FRONT								ELIMINADO ELIMINATED	INTRODUCIDO INTRODUCED
ITEM	DENOMINACION	NAME	CODIGO	LR-10	LA-10	LR-13	LA-13		
20	CALZO BISAGRA	HINGE WEDGE	P620521000	4	4	4	4		
21	PASADOR PUERTA	DOOR PIN	P620514000	2	2	2	2		
22	ARANDELA SEGURIDAD 4	SAFETY WASHER 4	Q272020000	2	2	2	2		
23	SOPORTE CONDUCTO	PIPE SUPPORT	P626128000	1	1	1	1		
24	JUNTA CUBA	TUB SEAL	P616104000	1	1				
			P626110000			1	1		
25	TUBO GOMA NEGRO Ø 8*4	BLACK RUBBER HOSE Ø 8*4	3702400000	1	1	1	1		
26	POMO FAGOR 2010	FAGOR 2010 KNOB	12000752	1	1	1	1		
27	MANETA PUERTA FAGOR	DOOR HANDLE FAGOR	12010370	1	1	1	1		
28	MUELLE CIERRE	LOCK SPRING	12023383	1	1	1	1		
29	PASADOR CIERRE	LOCK PIN	12016778	2	2	2	2		
31	REDUCCION PRESOSTATO	PRESSURE SWITCH REDUCTION	12025248	1	1	1	1		

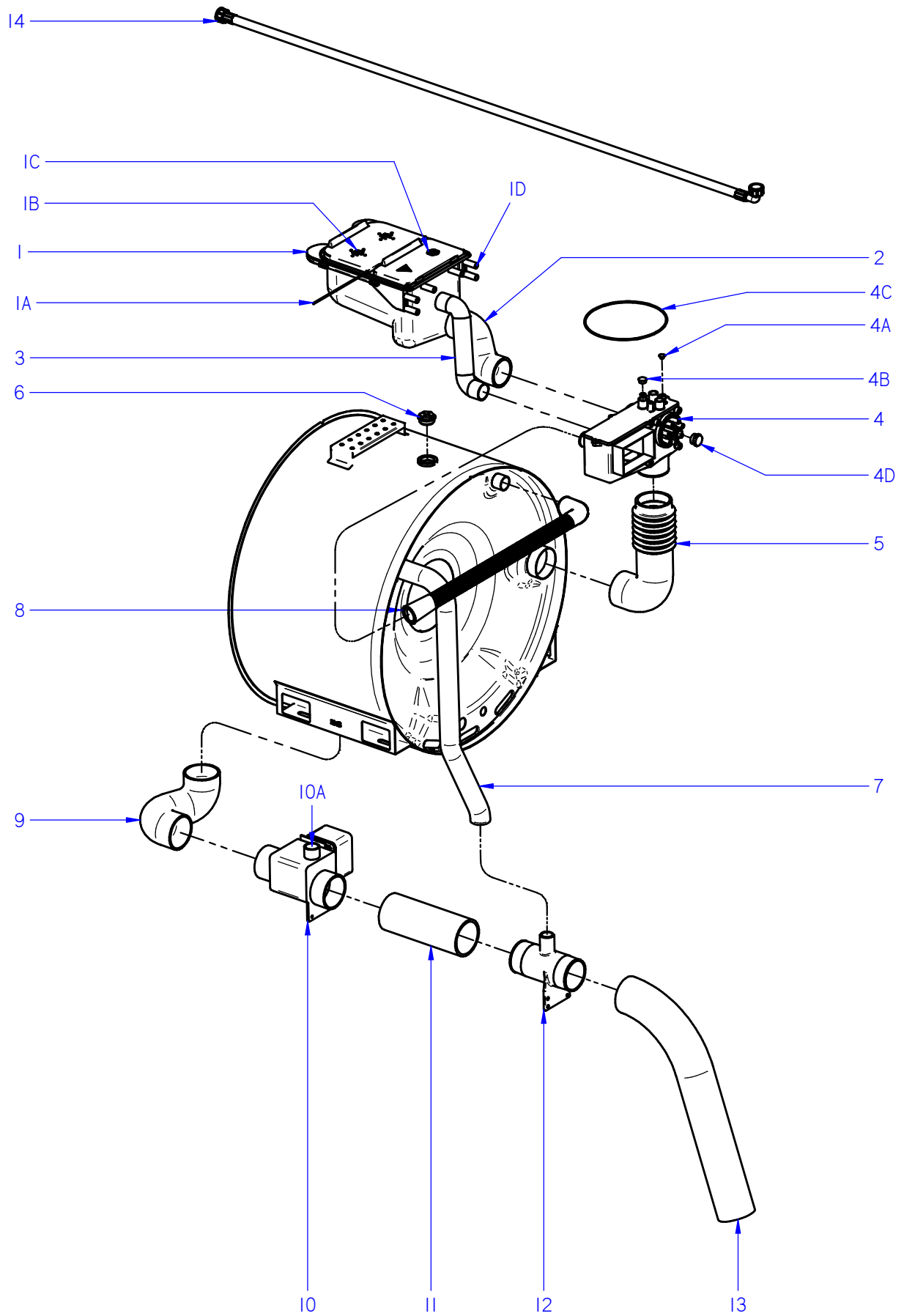




TAMBOR / DRUM																ELIMINADO ELIMINATED	INTRODUCIDO INTRODUCED	
ITEM	DENOMINACION	NAME	CODIGO	LR-10			LA-10			LR-13			LA-13					
				MP	M	MA	MP	M	MA	MP	M	MA	MP	M	MA			
1	TAMBOR COMPLETO	COMPLETE DRUM	P614916000	1	1	1	1	1	1									
			P624909000							1	1	1	1	1	1			
2	POLEA	PULLEY	P616006000	1	1	1	1	1	1									
			P626006000							1	1	1	1	1	1			
3	CORREA	BELT	P615902000	1	1	1	1	1	1									
			P625903000							1	1	1	1	1	1			
4	RETEN V-RING 1	V-RING RETAINER 1	P634911000	1	1	1	1	1	1									
			P624914000							1	1	1	1	1	1			
5	RETEN V-RING 2	V-RING RETAINER 2	P614911000	1	1	1	1	1	1									
			P624913000							1	1	1	1	1	1			
6	ARANDELA POLEA	PULLEY WASHER	P616010000	1	1	1	1	1	1							15,05,12		
			12021847	1	1	1	1	1	1								15,05,12	
			12021832							1	1	1	1	1	1			
7	CHAVETA	COTTER PIN	P614914000	1	1	1	1	1	1									
			P626010000							1	1	1	1	1	1			
8	ARANDELA SEGURIDAD	SAFETY WASHER	Q301329000	1	1	1	1	1	1	1	1	1	1	1	1			
9	TORNILLO POLEA	PULLEY SCREW	Q011376000	1	1	1	1	1	1	1	1	1	1	1	1			
10	ARANDELA A5	WASHER A5	Q232030000	1	1	1	1	1	1	1	1	1	1	1	1			
11	ARAND.ABAN. A5 A.304	FAN WASHER A5 A.304	Q242030000	1	1	1	1	1	1	1	1	1	1	1	1			
12	TORN.EXA. M5X15 A.304	HEX BOLT M5X15 A.304	Q012032000	1	1	1	1	1	1	1	1	1	1	1	1			
13	MOTOR	ENGINE	P615906000	1	1	1	1	1	1									
			P625905000							1	1	1	1	1	1			
14	TUBO SOPORTE MOTOR	MOTOR SUPPORT HOSE	P615908000	2	2	2	2	2	2									
			P625901000							2	2	2	2	2	2			
15	TORNILLO MOTOR	MOTOR SCREW	Q151525000	2	2	2	2	2	2									
			Q151526000							2	2	2	2	2	2			
16	TENSOR MOTOR	MOTOR TENSOR	P620214000	1	1	1	1	1	1	1	1	1	1	1	1			
17	TORNILLO TENSOR	TENSOR SCREW	Q151393000	1	1	1	1	1	1	1	1	1	1	1	1			
19	CASQUILLO EJE 10	AXIS BUSHING 10	12007773	1	1	1	1	1	1									
19	CASQUILLO EJE 13	AXIS BUSHING 13	12023262							1	1	1	1	1	1			

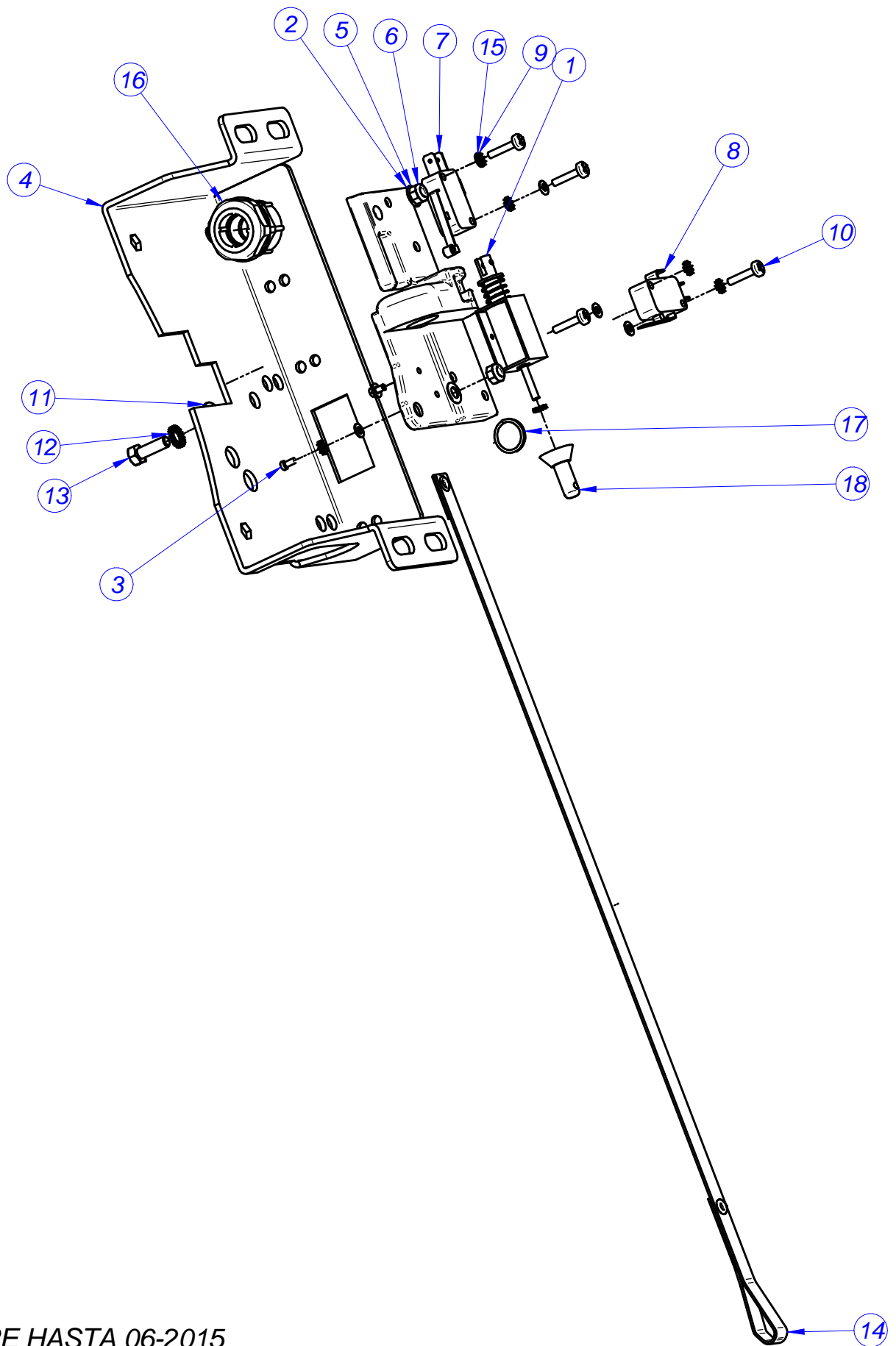


CUBETERA / TRAY  
LA-LR-10

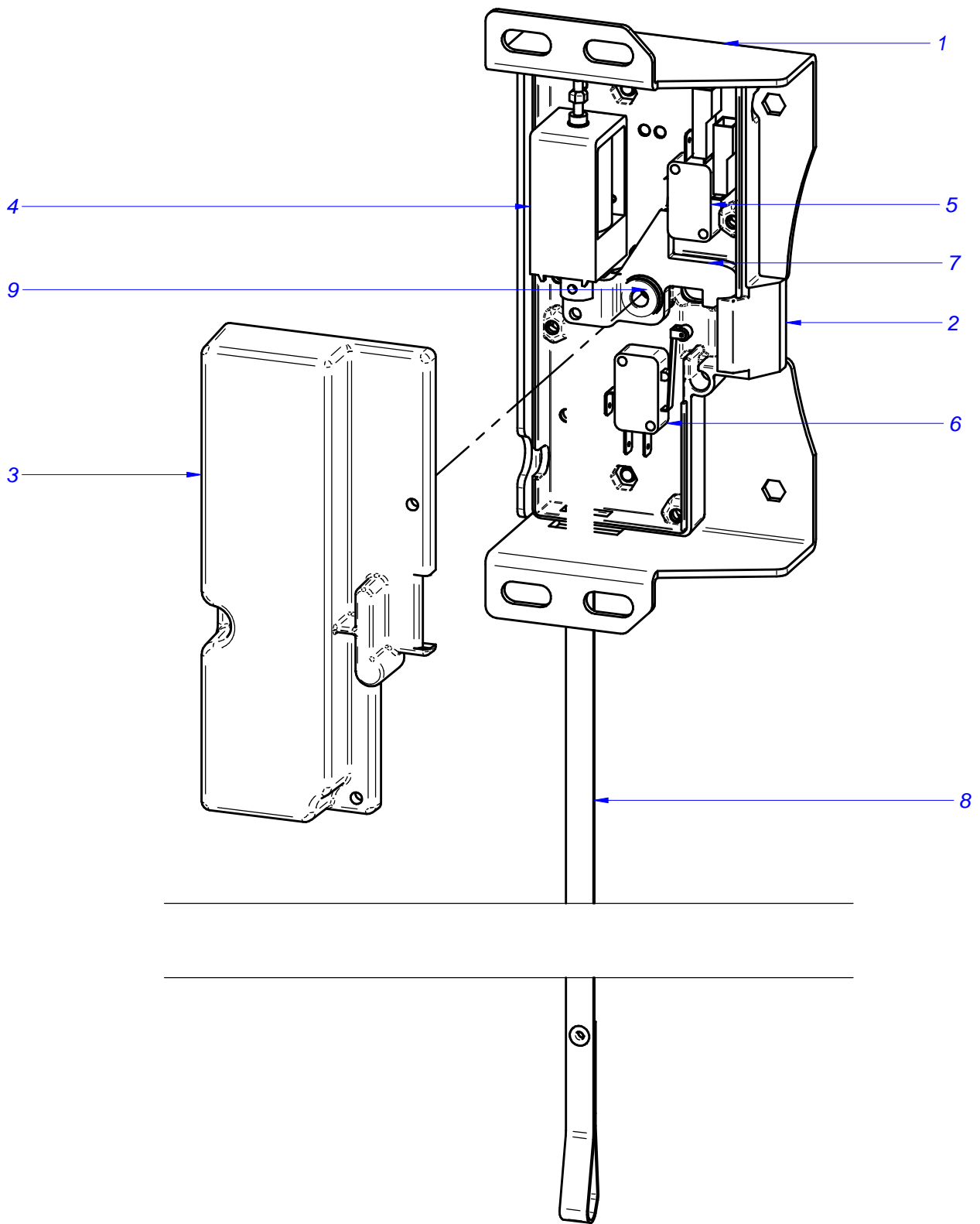


CUBETERA / TRAY  
LA-LR-13

CUBETERA / TRAY																ELIMINADO ELIMINATED	INTRODUCIDO INTRODUCED
ITEM	DENOMINACION	NAME	CODIGO	LR-10			LA-10			LR-13			LA-13				
				MP	M	MA	MP	M	MA	MP	M	MA	MP	M	MA		
1	CUBETA DETERGENTES	DETERGENT TRAY	12007752	1	1	1	1	1	1	1	1	1	1	1	1		
1A	EJE TAPAS CUBETA	TRAY COVERS AXIS	12010483	1	1	1	1	1	1	1	1	1	1	1	1		
1B	TAPA 1	COVER 1	12010403	1	1	1	1	1	1	1	1	1	1	1	1		
1C	TAPA 2	COVER 2	12000747	1	1	1	1	1	1	1	1	1	1	1	1		
1D	TAPON CUBETA DETERGENTES	DETERGENT TRAY CAP	12010088	2	2	2	2	2	2	2	2	2	2	2	2		
2	CONDUCTO CUBETERA	TRAY PIPE	P610713000	1	1	1	1	1	1	1	1	1	1	1	1		
3	CONDUCTO REBOS. CUBETERA	TRAY OVERFLOW PIPE	P610714000	1	1	1	1	1	1	1	1	1	1	1	1		
4	CAJA COLECTOR	MANIFOLD BOX	P620723000	1	1	1	1	1	1	1	1	1	1	1	1		
4A	TAPON CAJA COLECTOR 8	COLLECTOR BOX PLUG 8	12010034		1	1		1	1		1	1		1	1		01.03.11
4B	TAPON CAJA COLECTOR 16	COLLECTOR BOX PLUG 16	12010013	3	3	3	3	3	3	3	3	3	3	3	3		01.03.11
4C	JUNTA TAPA COLECTOR	BOARD COVER COLLECTOR	P620728000	1	1	1	1	1	1	1	1	1	1	1	1		01.03.11
4D	CAPUCHON CON ROSCA SR1126	THREADED CAP SR1126	12121485	1	1	1	1	1	1	1	1	1	1	1	1		
5	CONDUCTO ENTRADA AGUA	WATER INPUT PIPE	P610704000 P620702000	1	1	1	1	1	1								
6	CODO SALIDA VAPOR	STEAM OUTLET ELBOW	12040883	1	1	1	1	1	1							01.12.14	
6	TUBO SALIDA VAPOR	STEAM OUTPUT TUBE	12120434	1	1	1	1	1	1								01.12.14
6	TAPON DESAGÜE	DRAINING CAP	12023875							1	1	1	1	1	1	12.03.14	
6	TAPON CUBA 1" G	TUB CAP 1" G	12128218							1	1	1	1	1	1		12.03.14
7	CONDUCTO REBOSADERO	OVERFLOW PIPE	P610702000 P620704000	1	1	1	1	1	1								
8	SALIDA VAPOR	STEAM OUTPUT	12023308	1	1	1	1	1	1							01.12.14	
8	SALIDA VAPOR	STEAM OUTPUT	12007821	1	1	1	1	1	1	1	1	1	1	1	1		
9	CONDUCTO DESAGÜE 8	DRAINAGE PIPE	P610703000	1	1	1	1	1	1							01.12.13	
9	CONDUCTO DESAGÜE 18	DRAINAGE PIPE	P630703000							1	1	1	1	1	1	01.12.13	
9	CONDUCTO DESAGUE INTERIOR 3	INNER DRAINAGE PIPE 3	12044165	1	1	1	1	1	1	1	1	1	1	1	1		01.12.13
10	VALVULA	VALVE	P302120000	1	1	1	1	1	1	1	1	1	1	1	1	01.12.13	
10	EV 230V AC 50/60Hz 1 VIA	EV 230V AC 50/60Hz 1 WAY	12024404	1	1	1	1	1	1	1	1	1	1	1	1		01.12.13
10A	TAPON DOBLE DESAGUE	DOUBLE PLUG DRAIN	12010010	1	1	1	1	1	1	1	1	1	1	1	1		
11	CONDUCTO VALVULA-SALIDA 10-13	OUTPUT VALVE PIPE 10-13	12046143	1	1	1	1	1	1	1	1	1	1	1	1		01.12.13
12	SALIDA DESAGUE 3"	DRAINAGE OUTPUT 3"	12046868	1	1	1	1	1	1	1	1	1	1	1	1		01.12.13
13	CONDUCTO CUBETERA LA-25	TRAY PIPE LA-25	12024890	1	1	1	1	1	1	1	1	1	1	1	1		01.12.13
14	MANGUERA ENTRADA AGUA	WATER INLET PIPE	12024115	3	2	2	3	2	2	3	2	2	3	2	2		



CIERRE HASTA 06-2015  
LOCK UNTIL 06-2015

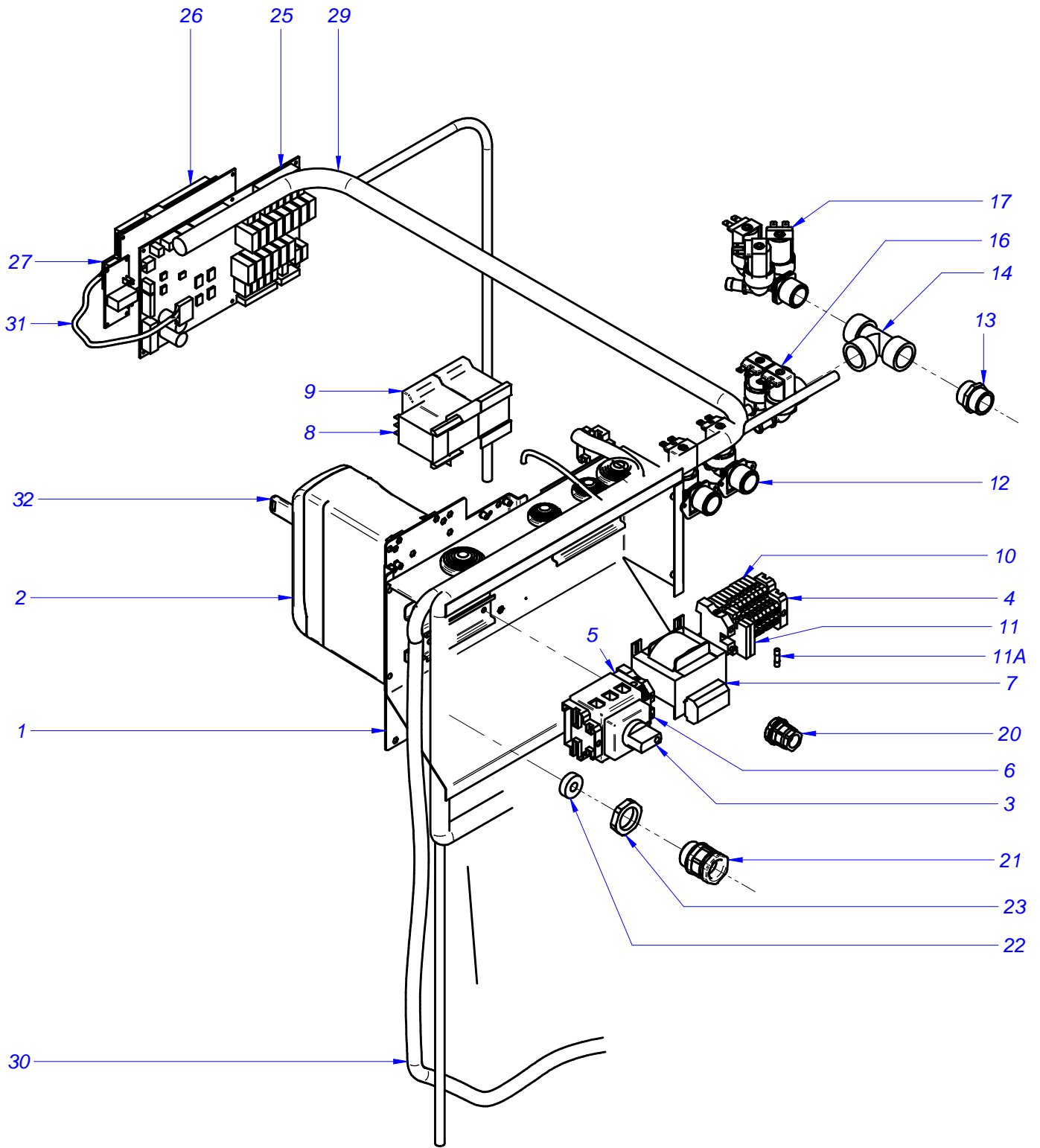


CIERRE DESDE N° DE SERIE 8100493065 - 06-2015

LOCK SINCE SERIAL Nr. 8100493065 - 06-2015







CUADRO ELECTRICO / ELECTRIC PANEL

CUADRO ELECTRICO / ELECTRIC PANEL																			ELIMINADO ELIMINATED	INTRODUCIDO INTRODUCED		
ITEM	DENOMINACION	NAME	CODIGO	LR-10									LA-10									
	CALENTAMIENTO			MP			M			MA			MP			M					MA	
				E	AC	V	E	AC	V	E	AC	V	E	AC	V	E	AC	V			E	AC
1	PORTA CUADRO ELECTRICO	ELCTRIC PANEL HOLDER	P620347000	1	1	1	1	1	1	1	1	1	1	1	1	1	1	1	1			
2	REP VARIADOR PROG.LA/ LR-10	REP VARIATOR PROG.LA/ LR-10	12040602	1	1	1	1	1	1	1	1	1	1	1	1	1	1	1	1	01,06,15		
2	REP VARIADOR PROG.LA-10	REP VARIATOR PROG.LA-10	12126765										1	1	1	1	1	1	1	SINCE 8100505377		
2	REP VARIADOR PROG.LR-10	REP VARIATOR PROG.LR-10	12126773	1	1	1	1	1	1	1	1											
3	SECCIONADOR	CIRCUIT BREAKER	12024858	1	1	1	1	1	1	1	1	1	1	1	1	1	1	1	1			
4	TOPE FINAL	END STOP	Z263303000	3	3	3	3	3	3	3	3	3	3	3	3	3	3	3	3			
5	BORNA AZUL	BLUE TERMINAL	R673010000	1	1	1	1	1	1	1	1	1	1	1	1	1	1	1	1			
6	BORNA TIERRA	EARTH TERMINAL	Z103035000	1	1	1	1	1	1	1	1	1	1	1	1	1	1	1	1			
7	TRANSFORMADOR	TRANSFORMER	P623028000	1	1	1	1	1	1	1	1	1	1	1	1	1	1	1	1			
8	RELE 230V AC 50/60Hz 16A 2vía	RELAY 16A 230V AC 50/60Hz 2v	12023706	1	1	1	1	1	1				1	1	1	1	1	1				
8	CONTACTOR 230V AC 50/60Hz	CONTACTOR 230V AC 50/60Hz	12024011							1	1							1	1		27.03.14	
9	CONTACTOR CALENTAMIENTO	HEATING CONTACTOR	12024040	2			2			2		2			2			2		14,07,14		
			12111795	2			2			2		2			2			2			14,07,14	
			12024039		1			1			1		1			1			1		14,07,14	
			12111796		1			1			1		1			1			1		14,07,14	
10	REGLETA DOSIFICACION	DISPENSER TERMINAL STRIP	P623006000	8	8	8	5	5	5	7	7	8	8	8	5	5	5	7	7			
11	BORNA PORTAFUSIBLE	FUSEHOLDER TERMINAL	R073005000	2	2	2	2	2	2	2	2	2	2	2	2	2	2	2	2			
11A	CARTUCHO FUSIBLE A4	FUSE 4A	12024333	2	2	2	2	2	2	2	2	2	2	2	2	2	2	2	2			
12	ELECTROVALVULA SIMPLE	SIMPLE SOLENOID VALVE	12025161	2	1	2	1		1			2	1	2	1		1	1				
13	RACOR 3/4"	3/4" CONNECTION	Z102301000	1	1	1	1	1	1	1	1	1	1	1	1	1	1	1	1			
14	Te A 90°	T at 90°	P535020000	1	1	1	1	1	1	1	1	1	1	1	1	1	1	1	1			
15	TOPE ELECTROVALVULA	SOLENOID VALVE STOP	P535003000	1	1	1	1	1	1	1	1	1	1	1	1	1	1	1	1	24.04.13		
16	ELECTROVALVULA DOBLE	DOUBLE SOLENOID VALVE	12023794	1	2	1	1	2	1	1	2	1	2	1	1	2	1	1	2			
17	ELECTROVALVULA TRIPLE	TRIPLE SOLENOID VALVE	12023921	1	1	1	1	1	1	1	1	1	1	1	1	1	1	1	1			
20	PRENSA ESTOPA DOSIFICACION	DISPENSER STUFFING BOX	R073004000	1	1	1	1	1	1	1	1	1	1	1	1	1	1	1	1			
21	PRENSA ESTOPA PG-21	STUFFING BOX PG-21	R023013000	1	1	1	1	1	1	1	1	1	1	1	1	1	1	1	1			
22	JUNTA GOMA	RUBBER SEAL	R023026000	1	1	1	1	1	1	1	1	1	1	1	1	1	1	1	1			
23	TUERCA ROSCA Pg 21	SCREW THREAD Pg 21	Q223016000	1	1	1	1	1	1	1	1	1	1	1	1	1	1	1	1	18.10.13		
23	CONTRATUERCA (GAES)	LOCKNUT (GAES)	12010063	1	1	1	1	1	1	1	1	1	1	1	1	1	1	1	1		18.10.13	
25	PLACA ENTRADAS-SALIDAS	INLET-OUTLET PLATE	12024457	1	1	1						1	1	1								
			12024197				1	1	1	1	1				1	1	1	1	1			
26	VISUALIZADOR	VIEWER	12023357	1	1	1						1	1	1								
			12024780				1	1	1	1	1				1	1	1	1	1			
27	INTERRUPTOR GENERAL	POWER SWITCH	12024634	1	1	1	1	1	1			1	1	1	1	1	1					
27	CABLEADO CONECTOR PUENTE	WIRING CONNECTOR BRIDGE	12025206							1	1							1	1			
29	INSTALACION GENERAL	GENERAL INSTALLATION	P623033000	1	1	1	1	1	1	1	1	1	1	1	1	1	1	1	1			

**CUADRO ELECTRICO / ELECTRIC PANEL**

ITEM	DENOMINACION	NAME	CODIGO	LR-10									LA-10						ELIMINADO ELIMINATED	INTRODUCIDO INTRODUCED				
	CALENTAMIENTO			MP			M			MA			MP			M					MA			
				E	AC	V	E	AC	V	E	AC		E	AC	V	E	AC	V			E	AC		
30	CABLE CALENTAMIENTO	HEATING CABLE	12024944	1			1			1			1			1			1			01.07.14		
			12111672	1			1			1			1			1			1				01.07.14	
			12025067			1			1						1			1						
			12024818												1			1				01.07.14		
			12111694												1			1					01.07.14	
31	CABLE COMUNICACION	COMMUNICATION CABLE	12025136	1	1	1							1	1	1									
			12023293				1	1	1	1	1					1	1	1	1	1	1			
32	PLC PROGRAMADO 1,1KW	PLC PROGRAMMED 1.1KW	12041243	1	1	1	1	1	1	1	1	1	1	1	1	1	1	1	1	1	1			

CUADRO ELECTRICO / ELECTRIC PANEL																			ELIMINADO ELIMINATED	INTRODUCIDO INTRODUCED		
ITEM	DENOMINACION	NAME	CODIGO	LR-13									LA-13									
	CALENTAMIENTO			MP			M			MA			MP			M					MA	
				E	AC	V	E	AC	V	E	AC	V	E	AC	V	E	AC	V			E	AC
1	PORTA CUADRO ELECTRICO	ELCTRIC PANEL HOLDER	P620347000	1	1	1	1	1	1	1	1	1	1	1	1	1	1	1	1			
2	REP VARIADOR PROG.LA/ LR-13	REP VARIATOR PROG.LA/ LR-13	12040684	1	1	1	1	1	1	1	1	1	1	1	1	1	1	1	1	01,06,15		
2	REP VARIADOR PROG.LA-13	REP VARIATOR PROG.LA-13	12126767										1	1	1	1	1	1	1	SINCE 8100505377		
2	REP VARIADOR PROG.LR-13	REP VARIATOR PROG.LR-13	12126774	1	1	1	1	1	1	1	1											
3	SECCIONADOR	CIRCUIT BREAKER	12024858		1	1		1	1		1		1	1		1	1		1			
			12024628	1			1			1		1			1			1				
4	TOPE FINAL	END STOP	Z263303000	3	3	3	3	3	3	3	3	3	3	3	3	3	3	3	3			
5	BORNA AZUL	BLUE TERMINAL	12025143	1	1	1	1	1	1	1	1	1	1	1	1	1	1	1	1			
6	BORNA TIERRA	EARTH TERMINAL	Z103035000	1	1	1	1	1	1	1	1	1	1	1	1	1	1	1	1			
7	TRANSFORMADOR	TRANSFORMER	P623028000	1	1	1	1	1	1	1	1	1	1	1	1	1	1	1	1			
8	RELE 230V AC 50/60Hz 16A 2vía	RELAY 16A 230V AC 50/60Hz 2v	Z203062000	2	2	2	2	2	2	2	2	2	2	2	2	2	2	2	2			
			12024040	2			2			2		2			2			2		14,07,14		
9	CONTACTOR CALENTAMIENTO	HEATING CONTACTOR	12111795	2			2			2		2			2			2			14,07,14	
			12024039		1			1			1		1			1			1	14,07,14		
			12111796		1			1			1		1			1			1		14,07,14	
10	REGLETA DOSIFICACION	DISPENSER TERMINAL STRIP	P623006000	8	8	8	5	5	5	7	7	8	8	8	5	5	5	7	7			
11	BORNA PORTAFUSIBLE	FUSEHOLDER TERMINAL	R073005000	2	2	2	2	2	2	2	2	2	2	2	2	2	2	2	2			
11A	CARTUCHO FUSIBLE A4	FUSE 4A	12024333	2	2	2	2	2	2	2	2	2	2	2	2	2	2	2	2			
12	ELECTROVALVULA SIMPLE	SIMPLE SOLENOID VALVE	12025161	2	1	2	1		1	1		2	2	2	1		1	1				
13	RACOR 3/4"	3/4" CONNECTION	Z102301000	1	1	1	1	1	1	1	1	1	1	1	1	1	1	1	1			
14	Te A 90º	T at 90º	P535020000	1	1	1	1	1	1	1	1	1	1	1	1	1	1	1	1			
15	TOPE ELECTROVALVULA	SOLENOID VALVE STOP	P535003000	1	1	1	1	1	1	1	1	1	1	1	1	1	1	1	1	24.04.13		
16	ELECTROVALVULA DOBLE	DOUBLE SOLENOID VALVE	12023794	1	2	1	1	2	1	1	2	1	2	1	1	2	1	1	2			
17	ELECTROVALVULA TRIPLE	TRIPLE SOLENOID VALVE	12023921	1	1	1	1	1	1	1	1	1	1	1	1	1	1	1	1			
20	PRENSA ESTOPA DOSIFICACION	DISPENSER STUFFING BOX	R073004000	1	1	1	1	1	1	1	1	1	1	1	1	1	1	1	1			
21	PRENSA ESTOPA PG-21	STUFFING BOX PG-21	R023013000	1	1	1	1	1	1	1	1	1	1	1	1	1	1	1	1			
22	JUNTA GOMA	RUBBER SEAL	R023026000	1	1	1	1	1	1	1	1	1	1	1	1	1	1	1	1			
23	TUERCA ROSCA Pg 21	SCREW THREAD Pg 21	Q223016000	1	1	1	1	1	1	1	1	1	1	1	1	1	1	1	1	18.10.13		
23	CONTRATUERCA (GAES)	LOCKNUT (GAES)	12010063	1	1	1	1	1	1	1	1	1	1	1	1	1	1	1	1		18.10.13	
25	PLACA ENTRADAS-SALIDAS	INLET-OUTLET PLATE	12024457	1	1	1						1	1	1								
			12024197				1	1	1	1	1				1	1	1	1	1			
26	VISUALIZADOR	VIEWER	12023357	1	1	1						1	1	1								
			12024780				1	1	1	1	1				1	1	1	1	1			
27	INTERRUPTOR GENERAL	POWER SWITCH	12024634	1	1	1	1	1	1			1	1	1	1	1	1					
27	CABLEADO CONECTOR PUENTE	WIRING CONNECTOR BRIDGE	12025206							1	1							1	1			
29	INSTALACION GENERAL	GENERAL INSTALLATION	P623033000	1	1	1	1	1	1	1	1	1	1	1	1	1	1	1	1			

**CUADRO ELECTRICO / ELECTRIC PANEL**

ITEM	DENOMINACION	NAME	CODIGO	LR-13									LA-13						ELIMINADO ELIMINATED	INTRODUCIDO INTRODUCED			
	CALENTAMIENTO			MP			M			MA			MP			M					MA		
				E	AC	V	E	AC	V	E	AC	V	E	AC	V	E	AC	V			E	AC	
30	CABLE CALENTAMIENTO	HEATING CABLE	12024944	1			1			1			1			1			1			01.07.14	
			12111672	1			1			1			1			1			1				01.07.14
			12025067			1			1						1			1					
			12024818												1			1				01.07.14	
			12111694												1			1					01.07.14
31	CABLE COMUNICACION	COMMUNICATION CABLE	12025136	1	1	1							1	1	1								
			12023293				1	1	1	1	1					1	1	1	1	1	1		
32	PLC PROGRAMADO 1,5KW	PLC PROGRAMMED 1.5KW	12041244	1	1	1	1	1	1	1	1	1	1	1	1	1	1	1	1	1	1		

**VIARIOS / VARIOUS**

ITEM	DENOMINACION	NAME	CODIGO	LR-10									LA-10						ELIMINADO ELIMINATED	INTRODUCIDO INTRODUCED						
	CALENTAMIENTO			MP			M			MA			MP			M					MA					
				E	AC	V	E	AC	V	E	AC	V	E	AC	V	E	AC	V			E	AC				
	CABLEADO INTERRUP-GENER.	SWITCH WIRING-GENERAL	12025118	1	1	1	1	1	1					1	1	1	1	1	1							
	CABLE. PTC+PUENTE RECTIFIC.	PTC + WIRING BRIDGE-RECTIF.	12025061	1	1	1	1	1	1	1	1	1	1	1	1	1	1	1	1	1	1			28.04.14		
	CABLE. PTC+PUENTE RECTIFIC.	PTC + WIRING BRIDGE-RECTIF.	12095232	1	1	1	1	1	1	1	1	1	1	1	1	1	1	1	1	1	1			01.06.15	28.04.14	
	CABLE. PTC+PUENTE RECTIFIC.	PTC + WIRING BRIDGE-RECTIF.	12120341	1	1	1	1	1	1	1	1	1	1	1	1	1	1	1	1	1	1				01.06.15	
	CABLEADO TECLADO-SIMPLE	WIRED KEYBOARD-SIMPLE	12023293				1	1	1	1	1					1	1	1	1	1						
	CABLEADO TRANS.SIN NEUTRO	NO NEUTRAL WIRE TRANSFOR.	12025104				1																			
	CABLEADO ARRASTRE-AC	TRAILING WIRING-AC	12025082		1				1		1	1			1			1								
	CABLE. ELECTR. VALV.VAPOR	WIRING ELECTROVALV.VAPOR	12025067			1			1						1					1						
	CABL. CONECTOR-PUENTE-LIM	WIRING CONN.-BRIDGE-POWER	12025206							1	1									1	1					
	CABLEADO MONEDERO C.P.	WIRED PURSE C.P	12009766							1	1									1	1			01.01.13		
	CABLEADO MONEDERO C.P.	WIRED PURSE C.P	12047190							1	1									1	1				01.01.13	
	CABLEADO PROG.MP	PROGRAMMED WIRING MP	12025136	1	1	1							1	1	1											
	CABLEADO LIMITADOR	LIMITER WIRING	12024184	1	1	1	1	1	1																	
	LOTE ADHESIVOS LAVADORAS	WASHERS ADHESIVE BATCH	12025140	1	1	1	1	1	1	1	1	1	1	1	1	1	1	1	1	1	1					

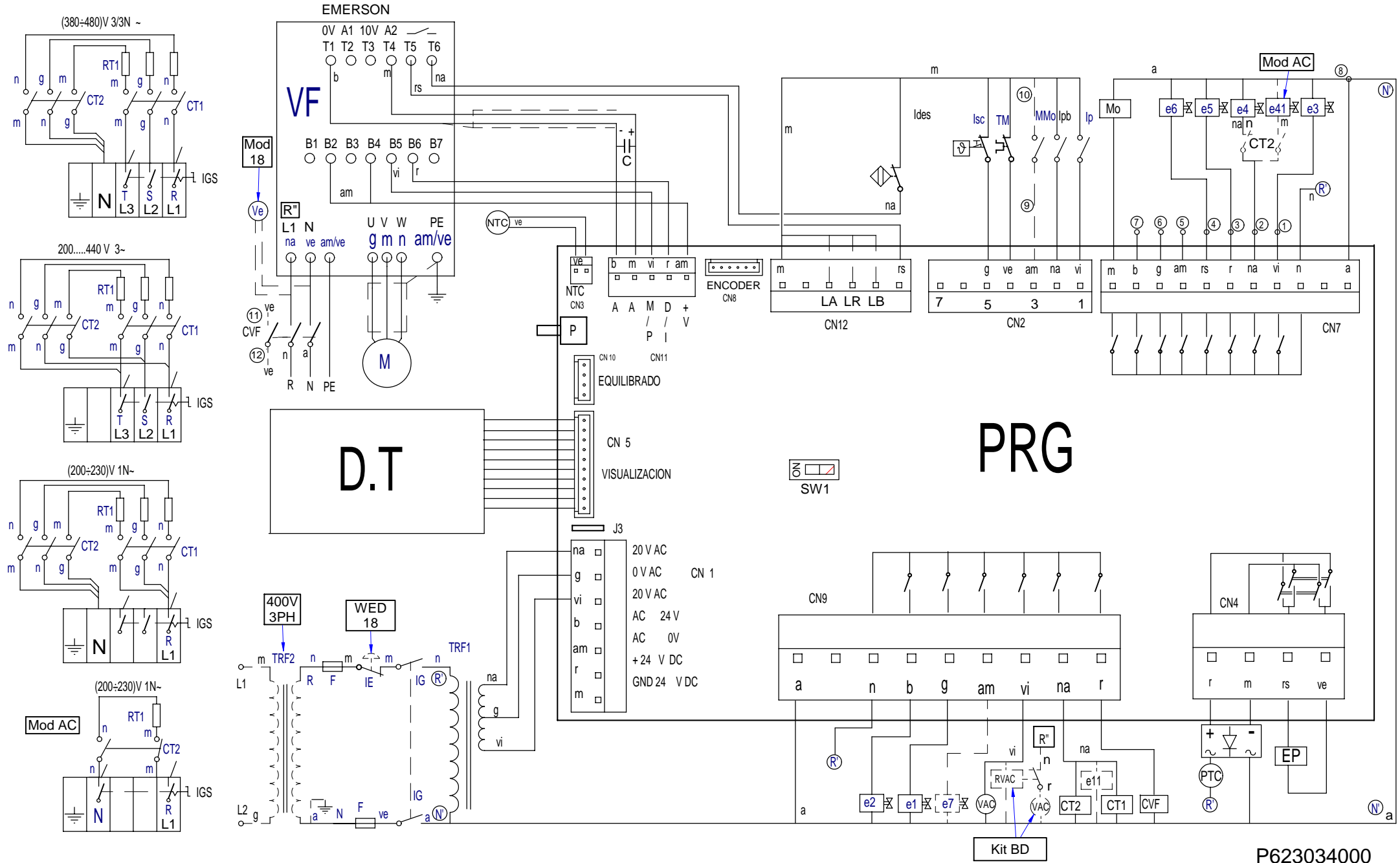
VARIOS / VARIOUS																					ELIMINADO ELIMINATED	INTRODUCIDO INTRODUCED	
ITEM	DENOMINACION	NAME	CODIGO	LR-13									LA-13										
	CALENTAMIENTO			MP			M			MA			MP			M			MA				
				E	AC	V	E	AC	V	E	AC	V	E	AC	V	E	AC	V	E	AC			V
	CABLEADO INTERRUP-GENER.	SWITCH WIRING-GENERAL	12025118	1	1	1	1	1	1				1	1	1	1	1	1					
	CABLE. PTC+PUENTE RECTIFIC.	PTC + WIRING BRIDGE-RECTIF.	12025061	1	1	1	1	1	1	1	1	1	1	1	1	1	1	1	1	1	1	28.04.14	
	CABLE. PTC+PUENTE RECTIFIC.	PTC + WIRING BRIDGE-RECTIF.	12095232	1	1	1	1	1	1	1	1	1	1	1	1	1	1	1	1	1	1	01.06.15	28.04.14
	CABLE. PTC+PUENTE RECTIFIC.	PTC + WIRING BRIDGE-RECTIF.	12120341	1	1	1	1	1	1	1	1	1	1	1	1	1	1	1	1	1	1		01.06.15
	CABLEADO TECLADO-SIMPLE	WIRED KEYBOARD-SIMPLE	12023293				1	1	1	1	1					1	1	1	1	1	1		
	CABLEADO TRANS.SIN NEUTRO	NO NEUTRAL WIRE TRANSFOR.	12025104				1																
	CABLEADO ARRASTRE-AC	TRAILING WIRING-AC	12025082		1			1			1		1				1				1		
	CABLE. ELECTR. VALV.VAPOR	WIRING ELECTROVALV.VAPOR	12025067			1			1						1			1					
	CABL. CONECTOR-PUENTE-LIM	WIRING CONN.-BRIDGE-POWER	12025206							1	1								1	1			
	CABLEADO MONEDERO C.P.	WIRED PURSE C.P	12009766							1	1								1	1		01.01.13	
	CABLEADO MONEDERO C.P.	WIRED PURSE C.P	12047190							1	1								1	1			01.01.13
	CABLEADO PROG.MP	PROGRAMMED WIRING MP	12025136	1	1	1							1	1	1								
	CABLEADO LIMITADOR	LIMITER WIRING	12024184	1	1	1	1	1	1														
	LOTE ADHESIVOS LAVADORAS	WASHERS ADHESIVE BATCH	12025140	1	1	1	1	1	1	1	1	1	1	1	1	1	1	1	1	1	1		

RECOMENDADOS / RECOMMENDED																				LÁMINA SHEET
ITEM	DENOMINACION	NAME	CODIGO	LR-10						LA-10										
	CALENTAMIENTO			MP			M			MA		MP			M			MA		
				E	AC	V	E	AC	V	E	AC	E	AC	V	E	AC	V	E	AC	
10	ADHESIVO	ADHESIVE	12007721	1	1	1							1	1	1					MUEBLE / CABINET
			12007722				1	1	1						1	1	1			MUEBLE / CABINET
			12007719							1	1							1	1	MUEBLE / CABINET
10	ADHESIVO CP FAGOR MA	PC ADHESIVE FAGOR MA	12007741							1	1							1	1	MUEBLE / CABINET
5	AMORTIGUADOR	DAMPER	12025077									4	4	4	4	4	4	4	4	ARMAZON / FRAME
16	SONDA TEMPERATURA	TEMPERATURE PROBE	12023814	1	1	1	1	1	1	1	1	1	1	1	1	1	1	1	1	CUBA / TUB
18	RESISTENCIA CALENTAMIENTO	HEATING RESISTOR	12096226	3			3			3		3	1		3	1		3		CUBA / TUB
14	CIERRE COMPLETO	COMPLETE LOCK	12127838	1	1	1	1	1	1	1	1	1	1	1	1	1	1	1	1	FR. CUBA / TUB FR.
3	CORREA	BELT	12023273	1	1	1	1	1	1	1	1	1	1	1	1	1	1	1	1	TAMBOR / DRUM
13	MOTOR	ENGINE	12023197	1	1	1	1	1	1	1	1	1	1	1	1	1	1	1	1	TAMBOR / DRUM
10	EV 230V AC 50/60Hz 1 VIA	EV 230V AC 50/60Hz 1 WAY	12024404	1	1	1	1	1	1	1	1	1	1	1	1	1	1	1	1	CUBETERA / TRAY
2	REP VARIADOR PROG.LA-10	REP VARIATOR PROG.LA-10	12126765									1	1	1	1	1	1	1	1	ELECTRIC.
2	REP VARIADOR PROG.LR-10	REP VARIATOR PROG.LR-10	12126773	1	1	1	1	1	1	1	1									ELECTRIC.
3	SECCIONADOR	CIRCUIT BREAKER	12024858	1	1	1	1	1	1	1	1	1	1	1	1	1	1	1	1	ELECTRIC.
7	TRANSFORMADOR	TRANSFORMER	12024920	1	1	1	1	1	1	1	1	1	1	1	1	1	1	1	1	ELECTRIC.
8	RELE 230V AC 50/60Hz 16A 2vía	RELAY 16A 230V AC 50/60Hz 2v	12023706	1	1	1	1	1	1			1	1	1	1	1	1			ELECTRIC.
8	CONTACTOR 230V AC 50/60Hz	CONTACTOR 230V AC 50/60Hz	12024011							1	1							1	1	ELECTRIC.
9	CONTACTOR CALENTAMIENTO	HEATING CONTACTOR	12111795	2			2			2		2			2			2		ELECTRIC.
10	CONTACTOR CALENTAMIENTO	HEATING CONTACTOR	12111796		1			1			1		1			1			1	ELECTRIC.
11A	CARTUCHO FUSIBLE A4	FUSE 4A	12024333	2	2	2	2	2	2	2	2	2	2	2	2	2	2	2	2	ELECTRIC.
12	ELECTROVALVULA SIMPLE	SIMPLE SOLENOID VALVE	12025161	2	1	2	1		1			2	1	2	1		1	1		ELECTRIC.
16	ELECTROVALVULA DOBLE	DOUBLE SOLENOID VALVE	12023794	1	2	1	1	2	1	1	2	1	2	1	1	2	1	1	2	ELECTRIC.
17	ELECTROVALVULA TRIPLE	TRIPLE SOLENOID VALVE	12023921	1	1	1	1	1	1	1	1	1	1	1	1	1	1	1	1	ELECTRIC.
25	PLACA ENTRADAS-SALIDAS	INLET-OUTLET PLATE	12024457	1	1	1					1	1	1							ELECTRIC.
25	PLACA ENTRADAS-SALIDAS	INLET-OUTLET PLATE	12024197				1	1	1	1	1				1	1	1	1	1	ELECTRIC.
26	VISUALIZADOR	VIEWER	12023357	1	1	1					1	1	1							ELECTRIC.
26	VISUALIZADOR	VIEWER	12024780				1	1	1	1	1				1	1	1	1	1	ELECTRIC.
27	INTERRUPTOR GENERAL	POWER SWITCH	12024634	1	1	1	1	1	1			1	1	1	1	1	1			ELECTRIC.
32	PLC PROGRAMADO 1,5KW	PLC PROGRAMMED 1.5KW	12041244	1	1	1	1	1	1	1	1	1	1	1	1	1	1	1	1	ELECTRIC.



**RECOMENDADOS / RECOMMENDED**

ITEM	DENOMINACION	NAME	CODIGO	LR-13						LA-13						LÁMINA SHEET						
	CALENTAMIENTO			MP			M			MA		MP			M			MA				
				E	AC	V	E	AC	V	E	AC	E	AC	V	E		AC	V	E	AC		
10	ADHESIVO	ADHESIVE	12007721	1	1	1							1	1	1				MUEBLE / CABINET			
			12007722				1	1	1							1	1	1	MUEBLE / CABINET			
			12007719							1	1							1	1	MUEBLE / CABINET		
10	ADHESIVO CP FAGOR MA	PC ADHESIVE FAGOR MA	12007741							1	1							1	1	MUEBLE / CABINET		
5	AMORTIGUADOR	DAMPER	12025078										8	8	8	8	8	8	8	8	ARMAZON / FRAME	
16	SONDA TEMPERATURA	TEMPERATURE PROBE	12023814	1	1	1	1	1	1	1	1	1	1	1	1	1	1	1	1	CUBA / TUB		
18	RESISTENCIA CALENTAMIENTO	HEATING RESISTOR	12096023	3				3			3			3			3			3	CUBA / TUB	
14	CIERRE COMPLETO	COMPLETE LOCK	12127838	1	1	1	1	1	1	1	1	1	1	1	1	1	1	1	1	1	FR. CUBA / TUB FR.	
3	CORREA	BELT	12023269	1	1	1	1	1	1	1	1	1	1	1	1	1	1	1	1	1	TAMBOR / DRUM	
13	MOTOR	ENGINE	12023195	1	1	1	1	1	1	1	1	1	1	1	1	1	1	1	1	1	TAMBOR / DRUM	
10	EV 230V AC 50/60Hz 1 VIA	EV 230V AC 50/60Hz 1 WAY	12024404	1	1	1	1	1	1	1	1	1	1	1	1	1	1	1	1	1	CUBETERA / TRAY	
2	REP VARIADOR PROG.LA-13	REP VARIATOR PROG.LA-13	12126767										1	1	1	1	1	1	1	1	ELECTRIC.	
2	REP VARIADOR PROG.LR-13	REP VARIATOR PROG.LR-13	12126774	1	1	1	1	1	1	1	1										ELECTRIC.	
3	SECCIONADOR	CIRCUIT BREAKER	12024858		1	1		1	1		1		1	1	1		1	1		1	ELECTRIC.	
			12024628	1				1			1			1			1			1	ELECTRIC.	
7	TRANSFORMADOR	TRANSFORMER	12024920	1	1	1	1	1	1	1	1	1	1	1	1	1	1	1	1	1	ELECTRIC.	
8	RELE 230V AC 50/60Hz 16A 2vía	RELAY 16A 230V AC 50/60Hz 2v	12023706	1	1	1	1	1	1				1	1	1	1	1	1			ELECTRIC.	
8	CONTACTOR 230V AC 50/60Hz	CONTACTOR 230V AC 50/60Hz	12024011							1	1								1	ELECTRIC.		
9	CONTACTOR CALENTAMIENTO	HEATING CONTACTOR	12111795	2			2			2			2			2			2		ELECTRIC.	
10	CONTACTOR CALENTAMIENTO	HEATING CONTACTOR	12111796		1			1			1			1			1			1	ELECTRIC.	
11A	CARTUCHO FUSIBLE A4	FUSE 4A	12024333	2	2	2	2	2	2	2	2	2	2	2	2	2	2	2	2	2	ELECTRIC.	
12	ELECTROVALVULA SIMPLE	SIMPLE SOLENOID VALVE	12025161	2	1	2	1		1				2	1	2	1		1	1		ELECTRIC.	
16	ELECTROVALVULA DOBLE	DOUBLE SOLENOID VALVE	12023794	1	2	1	1	2	1	1	2	1	2	1	2	1	2	1	1	2	ELECTRIC.	
17	ELECTROVALVULA TRIPLE	TRIPLE SOLENOID VALVE	12023921	1	1	1	1	1	1	1	1	1	1	1	1	1	1	1	1	1	ELECTRIC.	
25	PLACA ENTRADAS-SALIDAS	INLET-OUTLET PLATE	12024457	1	1	1					1	1	1									ELECTRIC.
25	PLACA ENTRADAS-SALIDAS	INLET-OUTLET PLATE	12024197				1	1	1	1	1					1	1	1	1	1	ELECTRIC.	
26	VISUALIZADOR	VIEWER	12023357	1	1	1					1	1	1									ELECTRIC.
26	VISUALIZADOR	VIEWER	12024780				1	1	1	1	1					1	1	1	1	1	ELECTRIC.	
27	INTERRUPTOR GENERAL	POWER SWITCH	12024634	1	1	1	1	1	1				1	1	1	1	1	1			ELECTRIC.	
32	PLC PROGRAMADO 1,5KW	PLC PROGRAMMED 1.5KW	12041244	1	1	1	1	1	1	1	1	1	1	1	1	1	1	1	1	1	ELECTRIC.	



Simb / LENG	ESPAÑOL	FRANÇAIS	ENGLISH	DEUTSCH	ITALIANO
CT =	Contacto Calentamiento	Contacteur Chauffe	Heating Contactor	Heizschütz	Contatore Riscaldamento
DP =	Detector posición.	Détecteur position	Position detector	Stellung Taster	Rilevatore posizione
DS1	Dosificador Neutralizante.	Doseur Neutralisant	Neutralizer feeder	Dosiervorrichtung Neutralpulmittel	Dosatore Neutralizzante
DS2	Dosificador jabon liquido.	Doseur lessive liquide	Liquid soap feeder	Dosiervorrichtung Flüssigseife	Dosatore sapone liquido
DS3	Dosificador aditivos.	Doseur additifs	Additive feeder	Dosiervorrichtung Zusatzmittel	Dosatore additivi
D.T.	Display/Teclado	Ecran/Clavier	Display/Keyboard	Display/Tastatur	Display/Tastiera
e1 =	Electro válvula agua Fria.	Électrovanne eau Froide	Cold water electrically operated valve	Elektroventil Kaltwasser	Elettrovalvola acqua Fredda
e2 =	Electro válvula agua Caliente	Électrovanne eau Chaude	Hot water electrically operated valve	Elektroventil Warmwasser	Elettrovalvola acqua Calda
e3 =	Electro válvula Prelavado.	Électrovanne Prélavage	Pre-wash electrically operated valve	Elektroventil Vorwaschen	Elettrovalvola Prelavaggio
e4 =	Electro válvula Lavado.	Électrovanne Lavage	Wash electrically operated valve	Elektroventil Hauptwaschgang	Elettrovalvola Lavaggio
e5 =	Electro válvula Lejia.	Électrovanne Eau de Javel	Bleach electrically operated valve.	Elektroventil Bleiche	Elettrovalvola Candeggina
e6 =	Electro válvula Suavizante.	Électrovanne Assouplissant	Fabric softener electrically operated valve	Elektroventil Weichspüler	Elettrovalvola Ammorbidente
e7 =	Electro válvula agua Descalcificada	Électrovanne eau Adoucie	Delimed water electrically operated valve	Elektroventil entkalktes Wasser	Elettrovalvola acqua Decalcificata
e8 ,9,10 =	Electro válvula Equilibrado	Électrovanne Équilibrage	Balancer electrically operated valve	Elektroventil Gleichgewicht	Elettrovalvola Bilanciamento
e11 =	Electro válvula Vapor.	Électrovanne Vapeur	Steam electrically operated valve	Elektroventil Dampf	Equilibrado Vapore
EP =	Electroímán de Puerta.	Électro-aimant de Porte	Door electric magnet	Elektromagnet Gerätetür	Elettromagnete Porta
FI =	Filtro de Interferencias.	Filtre Anti-parasites	Interference filter	Störungsfilter	Filtro Interferenze
F =	Fusible.	Fusible	Fuse	Sicherung	Fusibile
G1,G2 =	Galga Sensor.	Jauge Capteur	Sensing gage	Meßsensor	Calibro Sensore
IE =	Pulsador Parada de emergencia.	Bouton-poussoir Arrêt d'urgence	Emergency stop push button	Not-Aus-Taster	Pulsante Arresto di emergenza
IG =	Interruptor general.	Interrupteur général	General switch	Hauptschalter	Interruttore generale
IGS =	Interruptor General de seguridad.	interrupteur Général de sécurité	General safety switch	Sicherheitshauptschalter	Interruttore Generale di sicurezza
Ides =	Intruptor de desequilibrio.	Interrupteur de balourd	Unbalance switch	Ungleichgewichtsschalter	Interruttore di squilibrio
IMo =	Interruptor Monedero.	Interrupteur Monnayeur	Coin slot switch	Münzschalter	Interruttore Portamonete
Ip =	Interruptor puerta Cerrada.	Interrupteur porte Fermée	Closed door switch	Schalter Tür geschlossen	Interruttore porta Chiusa
Ipb =	Interruptor puerta bloqueada.	Interrupteur porte verrouillée	Door lock switch	Schalter Tür verriegelt	Interruttore porta bloccata
Isc	Interruptor seguridad Temperatura	Thermostat Limiteur	Hi-limit Thermostat	Grenzthermostat	Termostato Limitatore
M =	Motor.	Moteur	Motor	Motor	Motore
Mo =	Monedero.	Monnayeur	Coin slot	Münzvorrichtung	Portamonete
NTC =	Sensor temperatura..	Capteur température	Temperature sensor	Temperatursensor	Sensore temperatura
RT =	Resistencia Calentamiento.	Résistance Chauffe	Heating Resistors	Widerstand Aufheizung	Resistenza Riscaldamento
Tm =	Térmico de Motor.	Thermique du Moteur	Motor hot-wire	Motorwärmeschalter	Termico del Motore
Tfr =	Transformador	Transformateur	Transformer	Transformator	Trasformatore
Tfr s/N =	Transformador Versión sin Neutro.	Transformateur Version sans Neutre	Transformer Version without Neutral	Transformator Modell ohne Neutralstellung	Trasformatore Versione senza Neutro
VAC =	Válvula Vaciado	Vanne Vidange	Emptying valve	Ablassventil	Valvola Scarico
Ve =	Ventilador.	Ventilateur	Fan	Ventilator	Ventola
VF =	Convertidor de Frecuencia.	Convertisseur de Fréquence	Frequency converter	Frequenzumwandler	Convertitore di Frequenza
VM =	Ventilador Motor.	Ventilateur Moteur	Fan motor	Ventilator Motor	Ventola Motore
1...8 =	Puntos conexión dosificadores.	Points raccordement doseurs	Feeder connection points	Anschlussstellen Dosiervorrichtungen	Punti connessione dosatori
<b>COLOR</b>	<b>COLORES</b>	<b>COULEURS</b>	<b>COLOUR</b>	<b>FARBEN</b>	<b>COLORE</b>
a =	Azul	Bleu	Blue	Blau	Blu
am =	Amarillo	Jaune	Yellow	Gelb	Giallo
am/ve =	Amarillo/Verde	Jaune / vert	Yellow / green	Gelb/grün	Giallo/verde
b =	Blanco	Blanc	White	Weiß	Bianco
g =	Gris	Gris	Grey	Grau	Grigio
m =	Marrón	Marron	Brown	Braun	Marrone
n =	Negro	Noir	Black	Schwarz	Nero
na =	Naranja	Orange	Orange	Orange	Arancio
r =	Rojo	Rouge	Red	Rot	Rosso
rs =	Rosa	Rose	Pink	Rosa	Roseo
ve =	Verde	Vert	Green	Grün	Verde
vi =	Violeta	Violet	Purple	Violett	Viola