
DESPIECE TECNICO

**Cocinas a Gas
Gas ranges
Fourneaux à gaz
Gas-herde
Cucine a gas
Fogão a gás**

GAMA 900

Modelos:

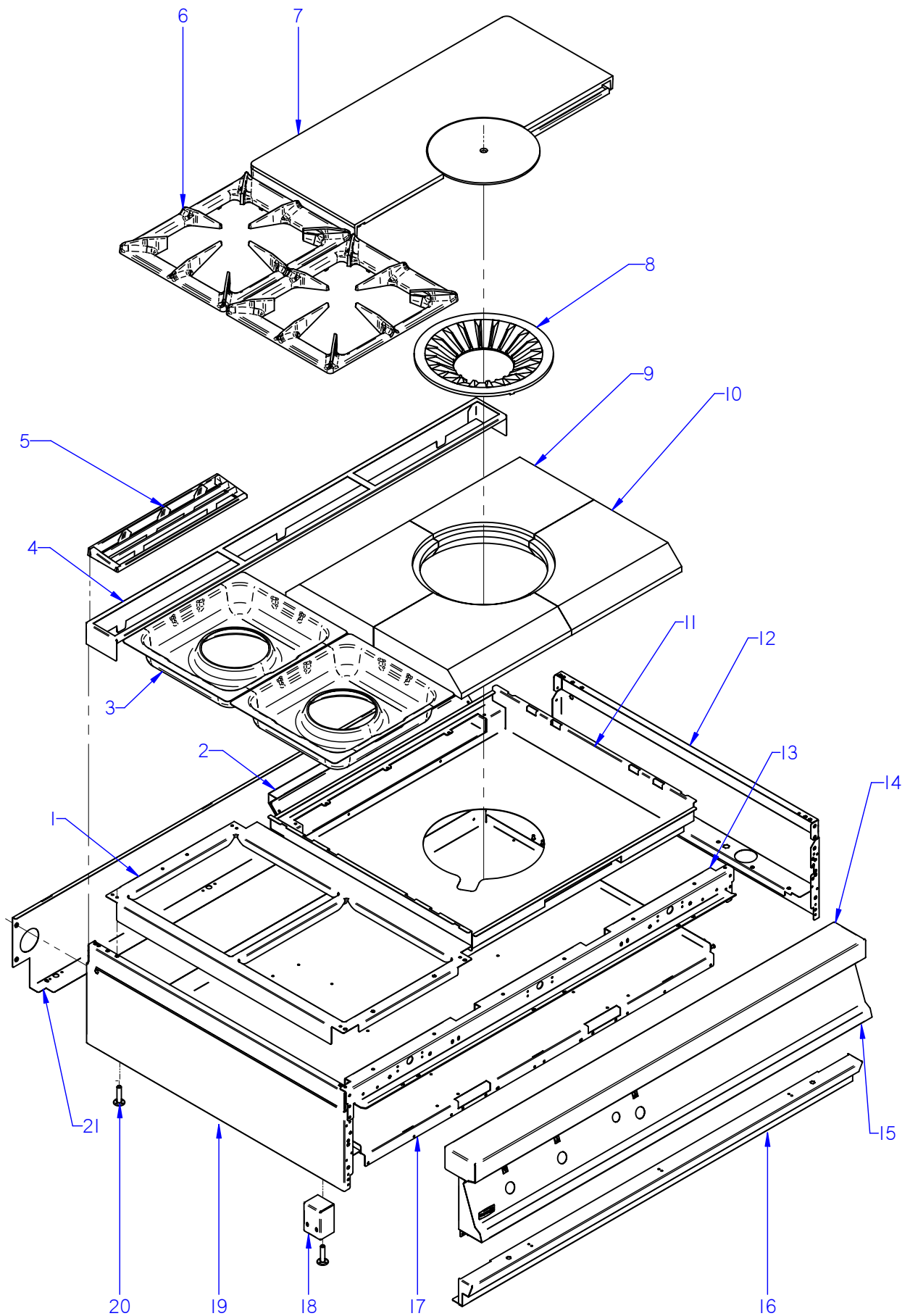
CGF9-120 AD

CGF9-121 AD

Octubre 2011 October

FAGOR 

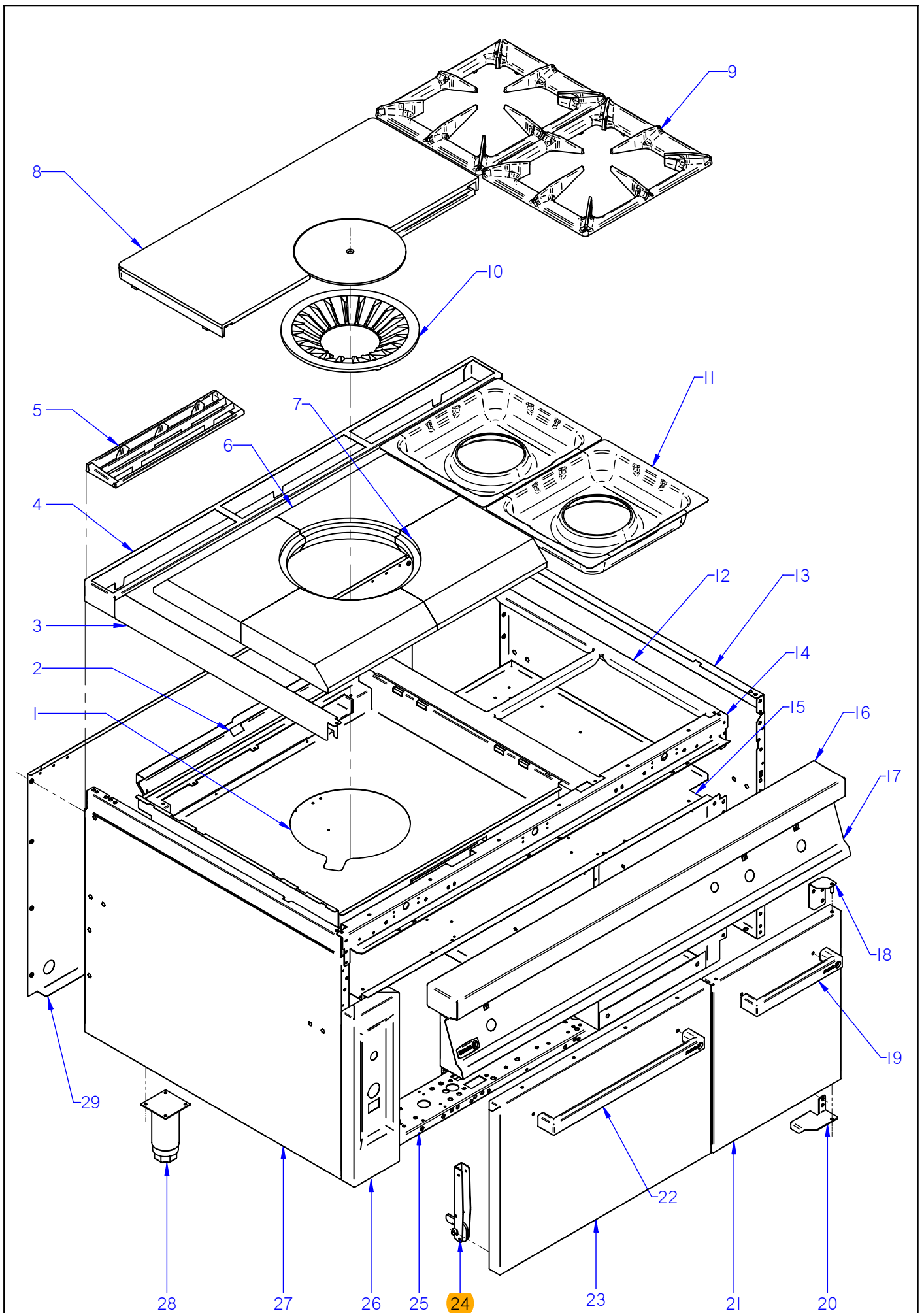
FAGOR INDUSTRIAL



ITEM MARCADO EN COLOR = REPUESTO RECOMENDADO
 COLOURED ITEM = RECOMMENDED SPARE PART

| | | | | | |
|---------------------|--------------------|--------------|-----------------------------------------------|----------------|---------------------------------------|
| Nº plano / N° plane | Firma | Fecha / Date | Denominación / Denomination: MUEBLE / FITTING | Lamina / Sheet | Fagor Industrial S.Coop. FAGOR |
| C-2880 | <i>[Signature]</i> | 2011-10 | COCINA CGF9-120 AD | 1 | Oñate |

| MOD. | | COCINAS / RANGES | ZONA / ZONE | MUEBLE / FITTING | | | | | | PLANO DIAGRAM | C-2880 | | |
|------|---------------------|------------------------------|-----------------------------|------------------|------------------|--|--|--|--|------------------|-------------------------|---------------------------|-------|
| ITEM | CODIGO REFERENCE | DENOMINACION | DENOMINATION | CGF9-120 I AD | CGF9-120 D AD | | | | | | ELIMINADO ELIMINATED | INTRODUCID. INTRODUCED | NOTAS |
| 1 | U205411000 | MESA CGF9-121 I | BENCH CGF9-121 I | 1 | - | | | | | | | | |
| 1 | U205410000 | MESA CGF9-121 D | BENCH CGF9-121 D | - | 1 | | | | | | | | |
| | Q152004000 | TORNIL, APLASTADO M5x13 A304 | FLAT HEADED BOLT M5x13 A304 | 10 | 10 | | | | | | | | |
| | Q221342000 | REMACHE EXAGONAL M5 | HEXAGONAL RIVET M5 | 4 | 4 | | | | | | | | |
| 2 | U962664000 | ANTERIOR DE CHIMENEA AD | FLUEPIPE FRONT AD | 1 | 1 | | | | | | | | |
| S/Nº | U962665000 | POSTERIOR CHIMENEA AD | REAR FLUEPIPE AD | 1 | 1 | | | | | | | | |
| | Q419005000 | REMACHE 4x8 ALMG3 / ALUMINIO | RIVET 4X8 ALMG3 / ALUMINIUM | 11 | 11 | | | | | | | | |
| 3 | U025473000 | BACINETA QUEMADOR G900 | BASIN BURNER G900 | 2 | 2 | | | | | | | | |
| 4 | R205440000 | SOPORTE EMBELLECEDOR 1,5 M | TRIM SUPPORT 1.5 M | 1 | 1 | | | | | | | | |
| 5 | R205425000 | EMBELLECEDOR ESMALTE | ENAMEL TRIM | 3 | 3 | | | | | | | | |
| 6 | U035409000 | PARRILLA GAMA 900 | GRILL 900 RANGE | 2 | 2 | | | | | | | | |
| 7 | U025455000 | CONJ.MEDIA PLACA + RODELA | MEDIUM PLATE + GUIDE RING | 2 | 2 | | | | | | | | |
| 8 | U195420000 | RODELA DIFUSORA FG-8 | DISPENSER GUIDE RING FG-8 | 1 | 1 | | | | | | | | |
| 9 | U615408000 | REFRACTARIO DERECHO | RIGHT REFRACTORY | 2 | 2 | | | | | | | | |
| 10 | U615407000 | REFRACTARIO IZQUIERDO | LEFT REFRACTORY | 2 | 2 | | | | | | | | |
| 11 | U962661000 | CAJON REFRACTARIO AD | REFRACTORY DRAWER AD | 1 | 1 | | | | | | | | |
| 12 | R062810000 | PANEL LATERAL DERECHO G900 | RIGHT SIDE PANEL G900 | 1 | 1 | | | | | | | | |
| | Q221342000 | REMACHE EXAGONAL M5 | HEXAGONAL RIVET M5 | 8 | 8 | | | | | | | | |
| 13 | U962607000 | ESCUA INTER AMAR ANTE 1,5 M | BRACKET INTER FASTE. FRONT | 1 | 1 | | | | | | | | |
| | Q221342000 | REMACHE EXAGONAL M5 | HEXAGONAL RIVET M5 | 4 | 4 | | | | | | | | |
| | Q012032000 | TORNILLO EXAGONAL M5x15 | HEXAGONAL BOLT M5x15 | 4 | 4 | | | | | | | | |
| | Q152004000 | TORNIL, APLASTADO M5x13 A304 | FLAT HEADED BOLT M5x13 A304 | 6 | 6 | | | | | | | | |
| | Q302022000 | ARANDELA 16x6x1,2 A304 | WASHER 16x6x1.2 A304 | 6 | 6 | | | | | | | | |
| 14 | U965402000 | ANTERIOR MESA 1,5 M AD | BENCH FRONT 1.5 M AD | 1 | 1 | | | | | | | | |
| | Q152004000 | TORNIL, APLASTADO M5x13 A304 | FLAT HEADED BOLT M5x13 A304 | 2 | 2 | | | | | | | | |
| | Q302022000 | ARANDELA 16x6x1,2 A304 | WASHER 16x6x1.2 A304 | 2 | 2 | | | | | | | | |
| 15 | U962814000 | PORTAMANDOS CGF9-120 I AD | CONTROL HOLDER CGF9-120 I | 1 | - | | | | | | | | |
| 15 | U962808000 | PORTAMANDOS CGF9-120 D AD | CONTROL HOLDER CGF9-120 D | - | 1 | | | | | | | | |
| | U022836000 | ESCUDO FAGOR | FAGOR EMBLEM | 1 | 1 | | | | | | | | |
| | Q221023000 | CLIP SUJECIÓN RÁPIDA Ø5 | RAPID CONNECT CLIP Ø5 | 2 | 2 | | | | | | | | |
| | Q152004000 | TORNIL, APLASTADO M5x13 A304 | FLAT HEADED BOLT M5x13 | 4 | 4 | | | | | | | | |



ITEM MARCADO EN COLOR = REPUESTO RECOMENDADO
 COLOURED ITEM = RECOMMENDED SPARE PART

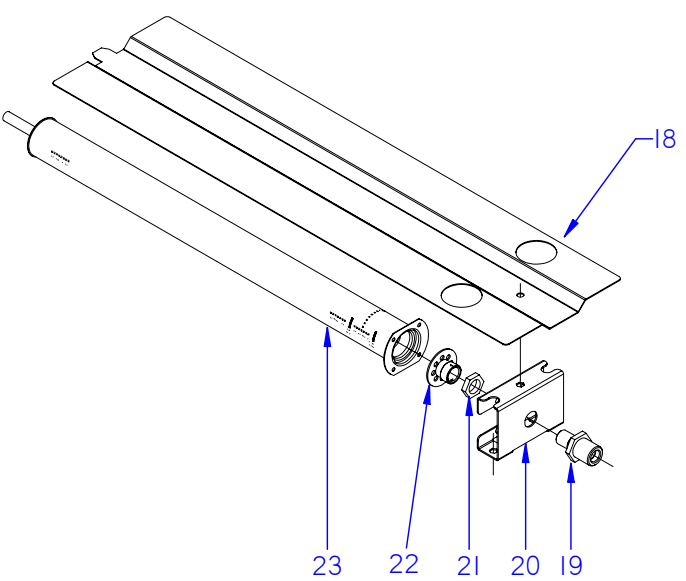
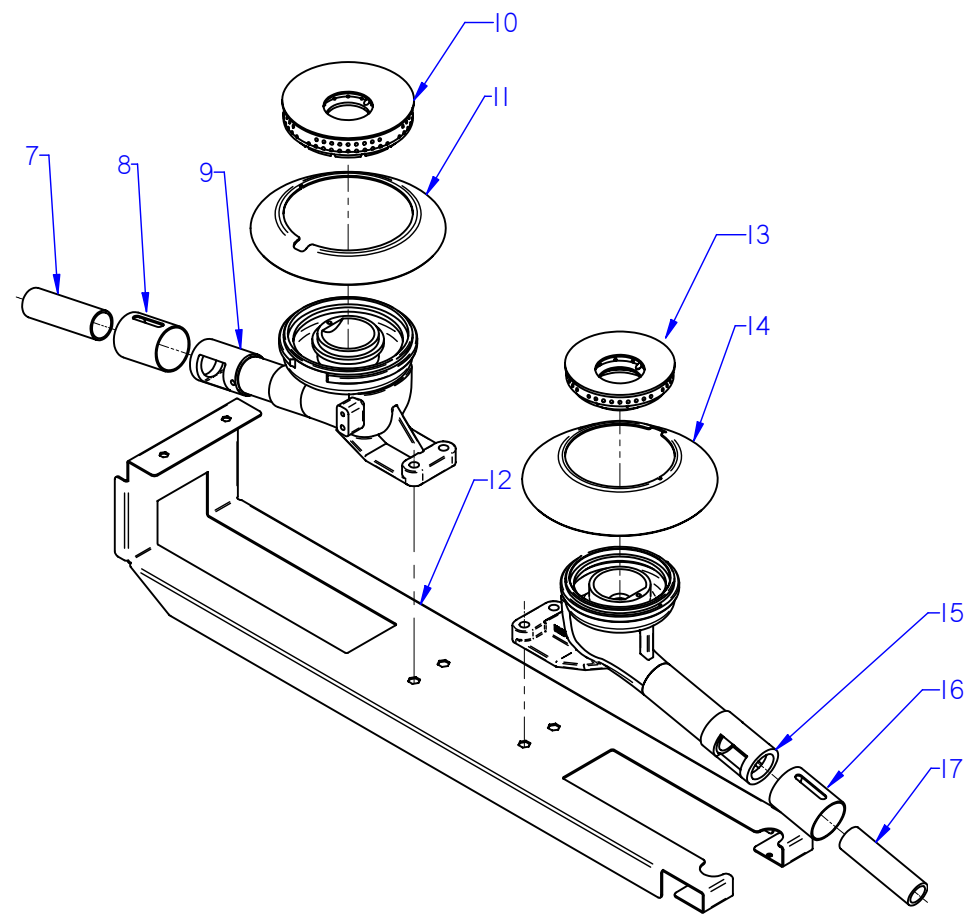
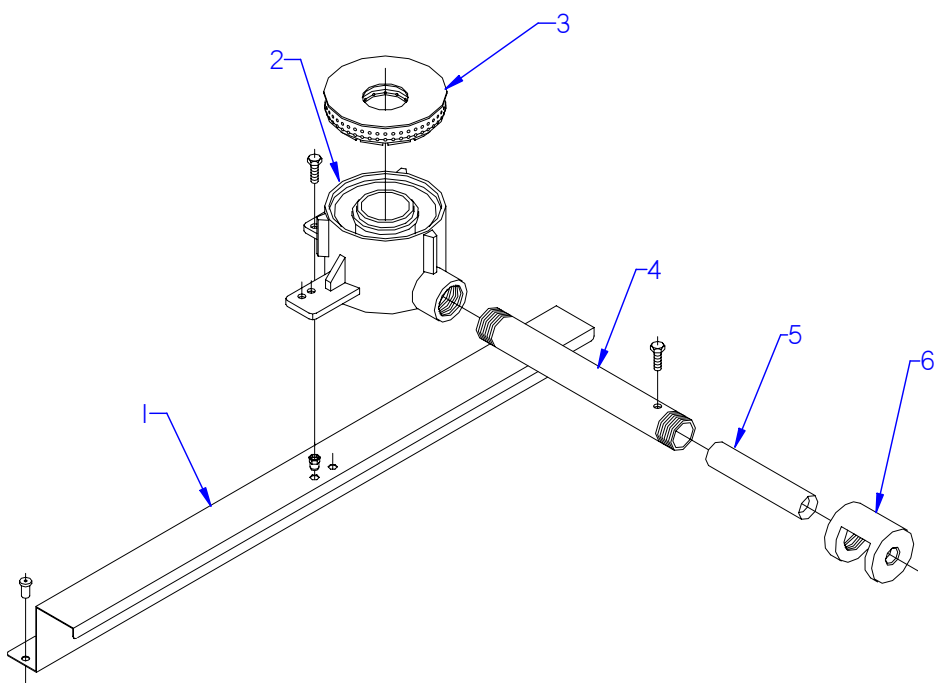
| | | | | | | |
|---------------------|--------------------|--------------|------------------------------|------------------|----------------|---------------------------------------|
| Nº plano / N° plane | Firma | Fecha / Date | Denominación / Denomination: | MUEBLE / FITTING | Lamina / Sheet | Fagor Industrial S.Coop. FAGOR |
| C-2881 | <i>[Signature]</i> | 2011-10 | COCINA | CGF9-121 AD | 2 | Oñate |

| MOD. | | COCINAS / RANGES | ZONA / ZONE | MUEBLE / FITTING | | | | | | | PLANO DIAGRAM | C-2881 | |
|------|---------------------|-------------------------------|-----------------------------|------------------|------------------|--|--|--|--|--|-------------------------|---------------------------|-------|
| ITEM | CODIGO REFERENCE | DENOMINACION | DENOMINATION | CGF9-121 I AD | CGF9-121 D AD | | | | | | ELIMINADO ELIMINATED | INTRODUCID. INTRODUCED | NOTAS |
| 1 | U962661000 | CAJON REFRACTARIO AD | REFRACTORY DRAWER AD | 1 | 1 | | | | | | | | |
| 2 | U962664000 | ANTERIOR DE CHIMENEA AD | FLUEPIPE FRONT AD | 1 | 1 | | | | | | | | |
| S/Nº | U962665000 | POSTERIOR CHIMENEA AD | REAR FLUEPIPE AD | 1 | 1 | | | | | | | | |
| | Q419005000 | REMACHE 4x8 ALMG3 / ALUMINIO | RIVET 4X8 ALMG3 / ALUMINIUM | 11 | 11 | | | | | | | | |
| 3 | R152807000 | LATERAL DE MESA | SIDE BENCH | 2 | 2 | | | | | | | | |
| 4 | R205440000 | SOPORTE EMBELLECEDOR 1,5 M | TRIM SUPPORT 1.5 M | 1 | 1 | | | | | | | | |
| 5 | R205425000 | EMBELLECEDOR ESMALTE | ENAMEL TRIM | 3 | 3 | | | | | | | | |
| 6 | U615408000 | REFRACTARIO DERECHO | RIGHT REFRACTORY | 2 | 2 | | | | | | | | |
| 7 | U615407000 | REFRACTARIO IZQUIERDO | LEFT REFRACTORY | 2 | 2 | | | | | | | | |
| 8 | U025455000 | CONJ.MEDIA PLACA + RODELA | MEDIUM PLATE + GUIDE RING | 2 | 2 | | | | | | | | |
| 9 | U035409000 | PARRILLA GAMA 900 | GRILL 900 RANGE | 2 | 2 | | | | | | | | |
| 10 | U195420000 | RODELA DIFUSORA FG-8 | DISPENSER GUIDE RING FG-8 | 1 | 1 | | | | | | | | |
| 11 | U025473000 | BACINETA QUEMADOR G900 | BASIN BURNER G900 | 2 | 2 | | | | | | | | |
| 12 | U205411000 | MESA CGF9-121 I | BENCH CGF9-121 I | 1 | - | | | | | | | | |
| 12 | U205410000 | MESA CGF9-121 D | BENCH CGF9-121 D | - | 1 | | | | | | | | |
| | Q152004000 | TORNIL, APLASTADO M5x13 A304 | FLAT HEADED BOLT M5x13 A304 | 10 | 10 | | | | | | | | |
| | Q221342000 | REMACHE EXAGONAL M5 | HEXAGONAL RIVET M5 | 4 | 4 | | | | | | | | |
| 13 | X162814000 | PANEL LATERAL DERECHO G9-00 | RIGHT SIDE PANEL G9-00 | 1 | 1 | | | | | | | | |
| | Q221343000 | REMACHE EXAGONAL M6 | HEXAGONAL RIVET M6 | 11 | 11 | | | | | | | | |
| | Q221342000 | REMACHE EXAGONAL M5 | HEXAGONAL RIVET M5 | 11 | 11 | | | | | | | | |
| | Q012043000 | TORNILLO EXAGONAL M6x20 A304 | HEXAGONAL BOLT M6x20 A304 | 2 | 2 | | | | | | | | |
| | Q152004000 | TORNILLO APLASTADO M5x13 A304 | FLAT HEADED BOLT M5x13 A304 | 3 | 3 | | | | | | | | |
| 14 | U962607000 | ESCUA INTER AMAR ANTE 1,5 M | BRACKET INTER FASTE. FRONT | 1 | 1 | | | | | | | | |
| | Q221342000 | REMACHE EXAGONAL M5 | HEXAGONAL RIVET M5 | 4 | 4 | | | | | | | | |
| | Q012032000 | TORNILLO EXAGONAL M5x15 | HEXAGONAL BOLT M5x15 | 4 | 4 | | | | | | | | |
| | Q152004000 | TORNIL, APLASTADO M5x13 A304 | FLAT HEADED BOLT M5x13 A304 | 6 | 6 | | | | | | | | |
| | Q302022000 | ARANDELA 16x6x1,2 A304 | WASHER 16x6x1.2 A304 | 6 | 6 | | | | | | | | |
| 15 | U962604000 | BASE BANDEJAS 1,5 M | TRAY BASE 1.5 M | 1 | 1 | | | | | | | | |
| | Q419005000 | REMACHE 4x8 ALMG3 / ALUMINIO | RIVET 4X8 ALMG3 / ALUMINIUM | 2 | 2 | | | | | | | | |
| | Q152004000 | TORNIL, APLASTADO M5x13 A304 | FLAT HEADED BOLT M5x13 A304 | 3 | 3 | | | | | | | | |

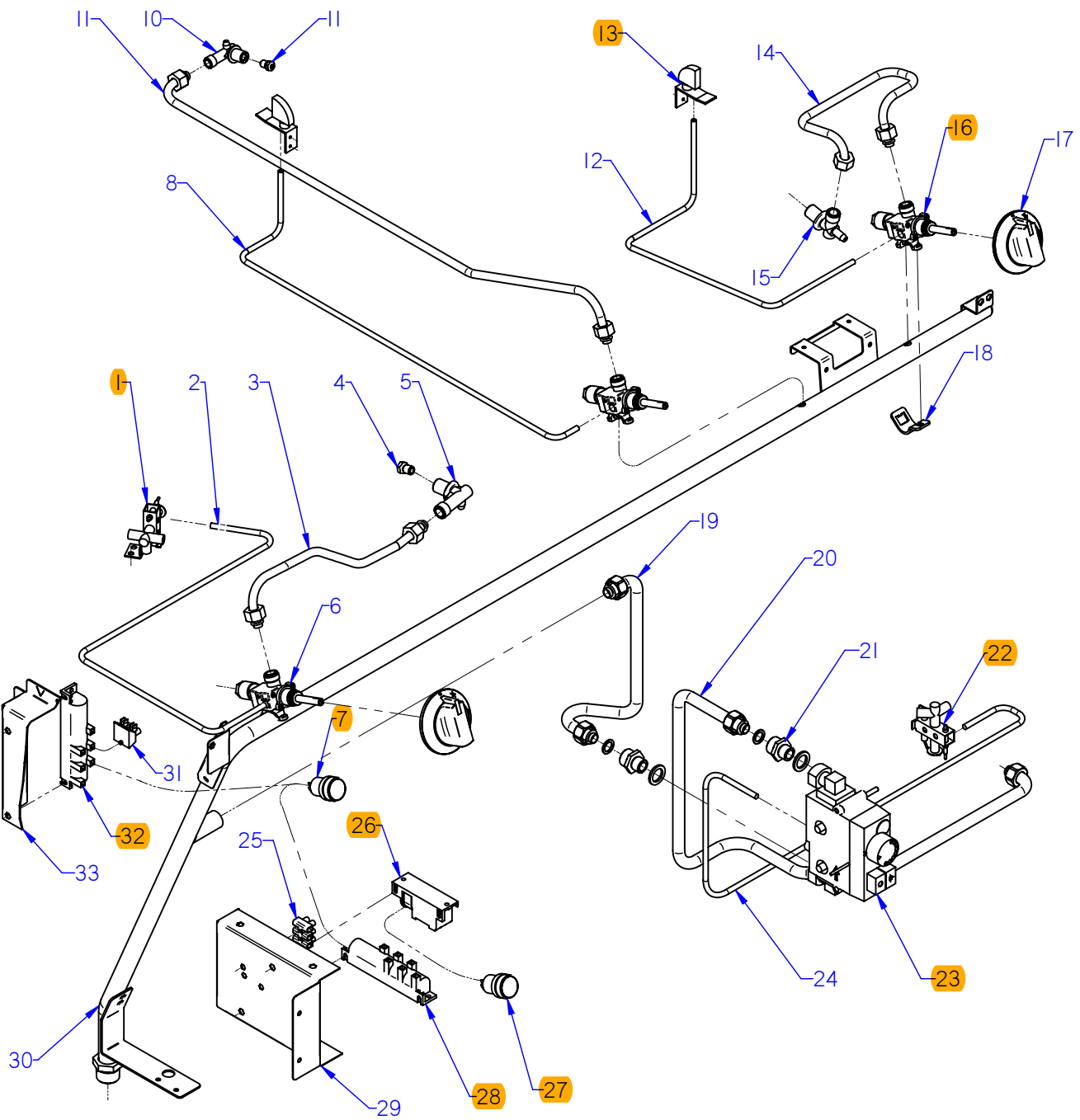
| MOD. | COCINAS / RANGES | | ZONA / ZONE | MUEBLE / FITTING | | | | | | | PLANO DIAGRAM | C-2881 | |
|------|---------------------|-------------------------------|-----------------------------|------------------|------------------|--|--|--|--|--|-------------------------|---------------------------|-------|
| ITEM | CODIGO REFERENCE | DENOMINACION | DENOMINATION | CGF9-121 I AD | CGF9-121 D AD | | | | | | ELIMINADO ELIMINATED | INTRODUCID. INTRODUCED | NOTAS |
| 16 | U965402000 | ANTERIOR MESA 1,5 M AD | BENCH FRONT 1.5 M AD | 1 | 1 | | | | | | | | |
| | Q152004000 | TORNIL, APLASTADO M5x13 A304 | FLAT HEADED BOLT M5x13 A304 | 2 | 2 | | | | | | | | |
| | Q302022000 | ARANDELA 16x6x1,2 A304 | WASHER 16x6x1.2 A304 | 2 | 2 | | | | | | | | |
| 17 | U962816000 | PORTAMANDOS CGF9-121 I AD | CONTROL HOLDER CGF9-121 I | 1 | - | | | | | | | | |
| 17 | U962818000 | PORTAMANDOS CGF9-121 D AD | CONTROL HOLDER CGF9-121 D | - | 1 | | | | | | | | |
| | U022836000 | ESCUDO FAGOR | FAGOR EMBLEM | 1 | 1 | | | | | | | | |
| | Q221023000 | CLIP SUJECIÓN RÁPIDA Ø5 | RAPID CONNECT CLIP Ø5 | 2 | 2 | | | | | | | | |
| | Q152004000 | TORNIL, APLASTADO M5x13 A304 | FLAT HEADED BOLT M5x13 A304 | 4 | 4 | | | | | | | | |
| 18 | U962613000 | BISAGRA SUPERIOR DERECHA | UPPER RIGHT HINGE | 1 | 1 | | | | | | | | |
| | Q221342000 | REMACHE EXAGONAL M5 | HEXAGONAL RIVET M5 | 1 | 1 | | | | | | | | |
| 19 | Z710558000 | ASA CAPOTA AD | AD HOOD HANDLE | 1 | 1 | | | | | | | | |
| | Q162040000 | TUERCA EXAGONAL M6 | HEXAGONAL NUT M6 | 1 | 1 | | | | | | | | |
| | Q302022000 | ARANDELA 16x6x1,2 A304 | WASHER 16x6x1.2 A304 | 1 | 1 | | | | | | | | |
| 20 | U020511000 | BISAGRA DERECHA INFERIOR | LOWER RIGHT HINGE | 1 | 1 | | | | | | | | |
| | Q232040000 | ARANDELA A6 | WASHER A6 | 1 | 1 | | | | | | | | |
| | X960504000 | TORNILLO DE GIRO M8 | ROTATION BOLT M8 | 1 | 1 | | | | | | | | |
| | Q012042000 | TORNILLO EXAGONAL M6x15 A304 | HEXAGONAL BOLT M6x15 A304 | 1 | 1 | | | | | | | | |
| | Q302022000 | ARANDELA 16x6x1,2 A304 | WASHER 16x6x1.2 A304 | 1 | 1 | | | | | | | | |
| 21 | U960501000 | PUERTA LATERAL AD | SIDE DOOR AD | 1 | 1 | | | | | | | | |
| | Q419005000 | REMACHE 4x8 ALMG3 / ALUMINIO | RIVET 4X8 ALMG3 / ALUMINIUM | 1 | 1 | | | | | | | | |
| S/Nº | X960501000 | IMAN | MAGNET | 2 | 2 | | | | | | | | |
| S/Nº | X960502000 | FIJACION IMAN | MAGNET ATTACHMENT | 2 | 2 | | | | | | | | |
| | Q012021000 | TORNILLO EXAGONAL M4X10 | HEXAGONAL BOLT M4x10 | 2 | 2 | | | | | | | | |
| | Q232020000 | ARANDELA A4 | WASHER A4 | 2 | 2 | | | | | | | | |
| 22 | Z900527000 | ASA | HANDLE | 1 | 1 | | | | | | | | |
| | Q012041000 | TORNILLO EXAGONAL M6x10 | HEXAGONAL BOLT M6x10 | 2 | 2 | | | | | | | | |
| | Q302022000 | ARANDELA 16x6x1,2 A304 | WASHER 16x6x1.2 A304 | 2 | 2 | | | | | | | | |
| 23 | U910501000 | PUERTA DE HORNO | OVEN DOOR | 1 | 1 | | | | | | | | |
| 24 | U020528000 | BISAGRA CIERRE HORNO | OVEN LOCK HINGE | 2 | 2 | | | | | | | | |
| | Q152022000 | TORNILLO M6x8 | BOLT M6x8 | 6 | 6 | | | | | | | | |
| 25 | U962601000 | LISTON SOPORTE PATAS 1,5 M AD | LEG SUPPORT STRIP 1.5 M AD | 2 | 2 | | | | | | | | |

| | | | |
|---------------------------------------------------------------------------------------------------------------------------|--------------|------------------------------------------------------|-----------------|
| Nº plano / N° plane | Fecha / Date | Denominación / Denomination: | Laminas / Sheet |
| C-2882 | 2011-1-10 | COCINA CGF9-120 AD / 121 AD | 3 |
|  Firma | Fecha / Date | Denominación / Denomination: QUEMADORES / BURNERS | Laminas / Sheet |
| Fagor Industrial S. Coop. FAGOR  | | | |

ITEM MARCADO EN COLOR = REPUESTO RECOMENDADO
 COLOURED ITEM = RECOMMENDED SPARE PART



| MOD. | | COCINAS / RANGES | ZONA / ZONE | QUEMADORES / BURNERS | | | | | | | PLANO DIAGRAM | C-2882 | |
|------|---------------------|------------------------------|-----------------------------|----------------------|-------------|--|--|--|--|--|-------------------------|---------------------------|-------|
| ITEM | CODIGO REFERENCE | DENOMINACION | DENOMINATION | CGF9-120 AD | CGF9-121 AD | | | | | | ELIMINADO ELIMINATED | INTRODUCID. INTRODUCED | NOTAS |
| 1 | U962660000 | SOPORTE QUEMADOR MESA AD | BURNER SUPPORT STRIP AD | 1 | 1 | | | | | | | | |
| | Q419005000 | REMACHE 4x8 ALMG3 / ALUMINIO | RIVET 4X8 ALMG3 / ALUMINIUM | 2 | 2 | | | | | | | | |
| | Q221342000 | REMACHE EXAGONAL M5 | HEXAGONAL RIVET M5 | 2 | 2 | | | | | | | | |
| 2 | U195702000 | CUERPO DE QUEMADOR MECANI. | BURNER BODY | 1 | 1 | | | | | | | | |
| 3 | U195701500 | QUEMADOR 10850 KCAL. PINTADO | BURNER10850 KCAL. | 1 | 1 | | | | | | | | |
| 4 | U195703000 | TUBO MEZCLADOR | MIXING PIPE | 1 | 1 | | | | | | | | |
| | Q223019000 | TUERCA 3/8 GAS LATÓN | NUT 3/8 GAS BRASS | 1 | 1 | | | | | | | | |
| | Q153002000 | TORNILLO TAPON | CAP BOLT | 1 | 1 | | | | | | | | |
| 5 | U775701000 | VENTURI QUEMADOR | VENTURI QUEMADOR | 1 | 1 | | | | | | | | |
| | Q012031000 | TORNILLO EXAGONAL M5x10 A304 | HEXAGONAL BOLT M5x10 A304 | 1 | 1 | | | | | | | | |
| 6 | U615700500 | CAMARA DE MEZCLA PINTADA | PAINT MIXING CHAMBER | 1 | 1 | | | | | | | | |
| 7 | U565700000 | VENTURI QUEMADOR 8000 | VENTURI BURNER 8000 | 1 | 1 | | | | | | | | |
| 8 | U265702000 | REGULADOR AIRE | AIR CONTROLLER | 1 | 1 | | | | | | | | |
| | Q132054000 | VARILLA ROSCADA M6 x 12 | THREADED ROD M6 x 12 | 1 | 1 | | | | | | | | |
| | Q162004000 | TUERCA EXAGONAL M6 | HEXAGONAL NUT M6 | 1 | 1 | | | | | | | | |
| 9 | U025710000 | CUERPO QUEMADOR 8000 Kcal/H | BURNER BODY 8000 Kcal/h | 1 | 1 | | | | | | | | |
| 10 | U135702500 | QUEMADOR 8000 | BURNER 8000 | 1 | 1 | | | | | | | | |
| | Q371026000 | MANGUITO DE SUJECION Ø 4x14 | HANDLE Ø 4x14 | 1 | 1 | | | | | | | | |
| | Q012045000 | TORNILLO EXAGONAL M6x30 A304 | HEXAGONAL BOLT M6x30 A304 | 1 | 1 | | | | | | | | |
| | Q302022000 | ARANDELA 16x6x1,2 A304 | WASHER 16x6x1.2 A304 | 1 | 1 | | | | | | | | |
| | U565011000 | TUERCA GUIA | GUIDE NUT | 1 | 1 | | | | | | | | |
| 11 | U915703000 | PROTEC. PILOTO QUEMAD. 7000 | BURNER PILOT GUARD 7000 | 1 | 1 | | | | | | | | |
| | Q372004000 | PASADOR ELASTICO 5x20 | ELASTIC PIN 5x20 | 2 | 2 | | | | | | | | |
| 12 | U962606000 | LISTÓN SOP. QUEMADOR AD | BURNER SUPPORT STRIP | 1 | 1 | | | | | | | | |
| | Q221343000 | REMACHE EXAGONAL M6 | HEXAGONAL RIVET M6 | 4 | 4 | | | | | | | | |
| | Q221342000 | REMACHE EXAGONAL M5 | HEXAGONAL RIVET M5 | 4 | 4 | | | | | | | | |
| 13 | U445731000 | QUEMADOR 4000 (00545-010) | BURNER 4000 (00545-010) | 1 | 1 | | | | | | | | |
| | Q012045000 | TORNILLO EXAGONAL M6x30 A304 | HEXAGONAL BOLT M6x30 A304 | 1 | 1 | | | | | | | | |
| | Q302022000 | ARANDELA 16x6x1,2 A304 | WASHER 16x6x1.2 A304 | 1 | 1 | | | | | | | | |
| 14 | U025712000 | PROTEC. PILOTO QUEMAD. 4000 | BURNER PILOT GUARD 4000 | 1 | 1 | | | | | | | | |

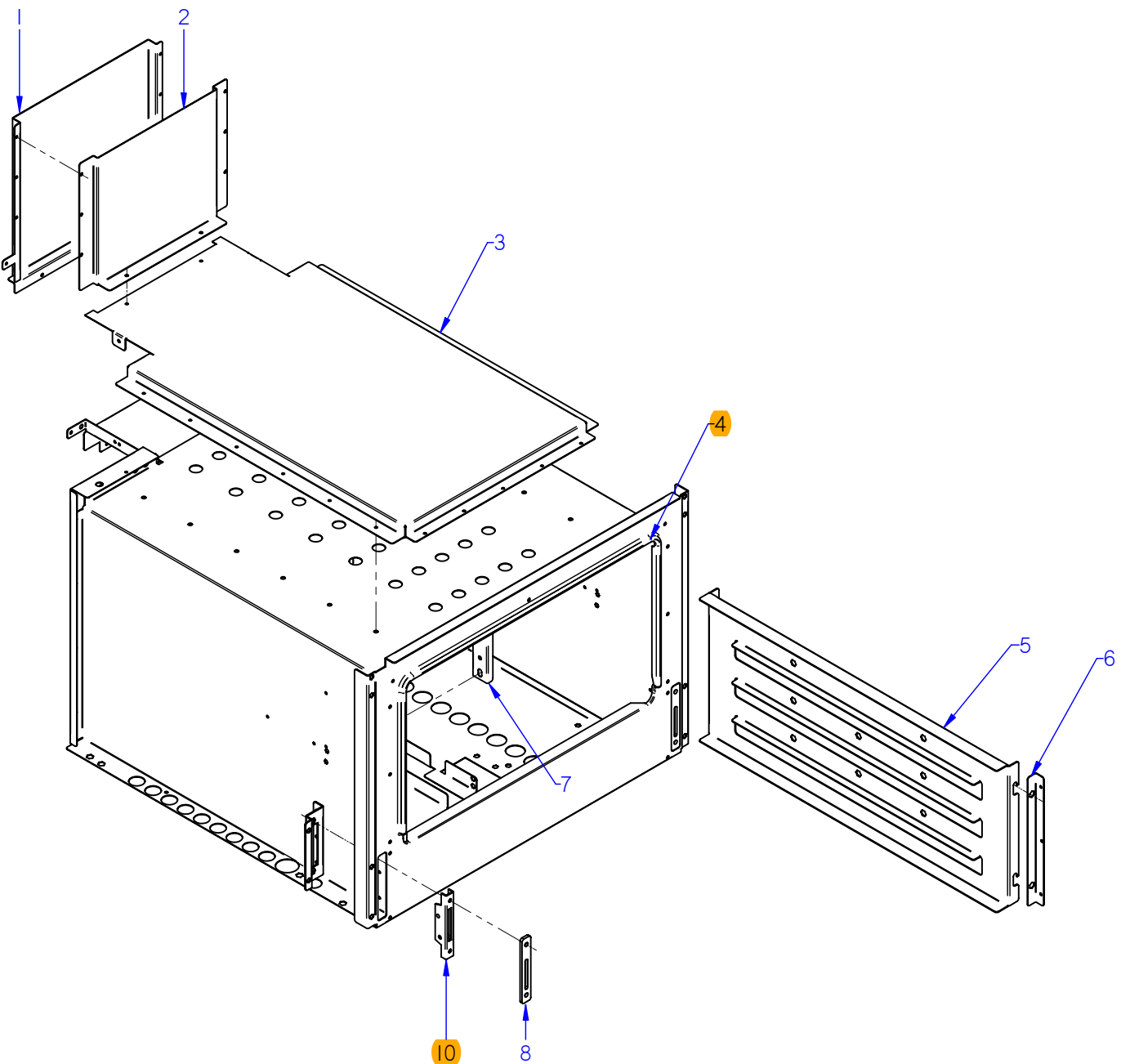


ITEM MARCADO EN COLOR = REPUESTO RECOMENDADO
 COLOURED ITEM = RECOMMENDED SPARE PART

| | | | | | |
|--------------------------------------|-----------------------------|--------------------------------|-------------------------------------------------------------------|-----------------------------|-------------------------------------------|
| Nº plano / N° plane C-2883 | Firma <i>(Signature)</i> | Fecha / Date 2011-10 | Denominación / Denomination: COCINA CGF9-120 AD/ 121 AD | Laminas / Sheet 4 | Fagor Industrial S. Coop. FAGOR |
| | | | PARTE FUNCIONAL / FUNCTIONAL PART | | |

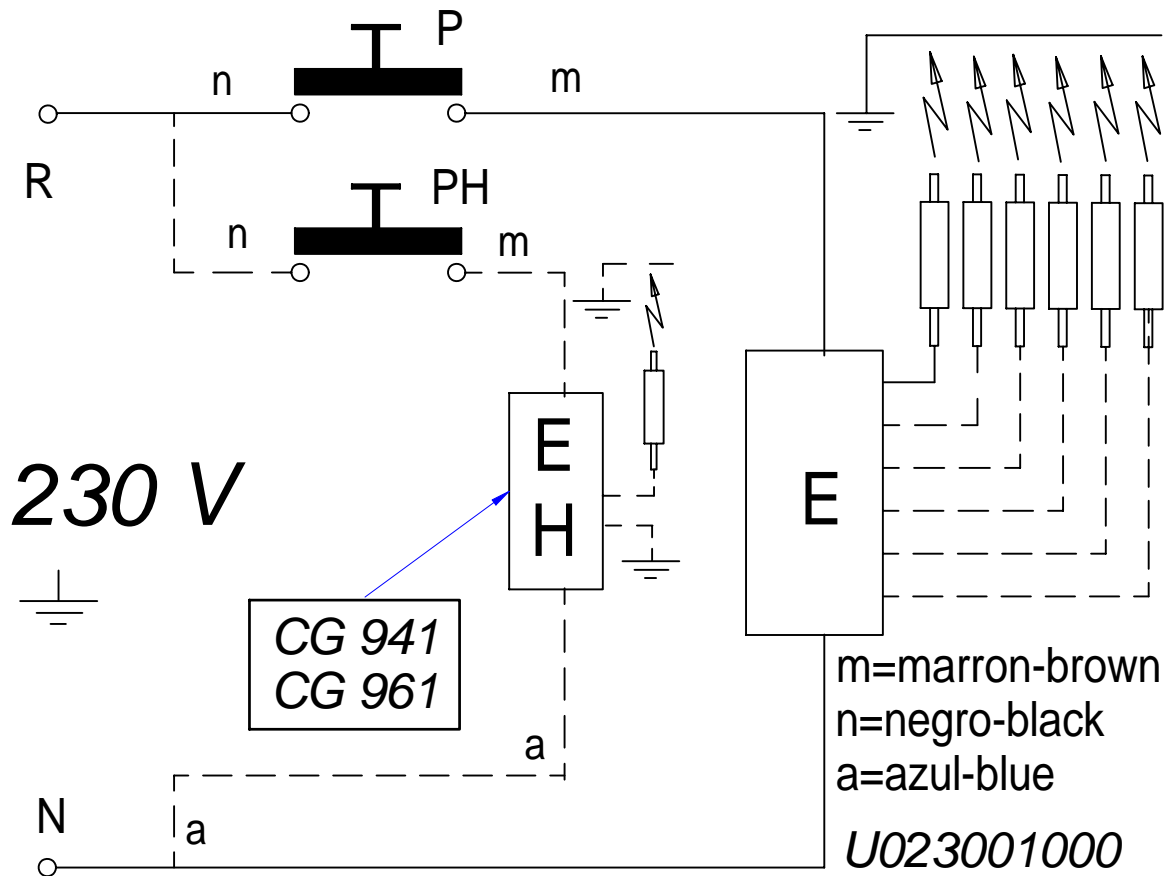
| MOD. | | COCINAS / RANGES | ZONA / ZONE | PARTE FUNCIONAL / FUNCTIONAL PART | | | | PLANO DIAGRAM | | C-2883 | | |
|------|------------------|----------------------------|--------------------------|-----------------------------------|---------------|---------------|---------------|---------------|--|----------------------|------------------------|-------|
| ITEM | CODIGO REFERENCE | DENOMINACION | DENOMINATION | CGF9-120 I AD | CGF9-120 D AD | CGF9-121 I AD | CGF9-121 D AD | | | ELIMINADO ELIMINATED | INTRODUCID. INTRODUCED | NOTAS |
| 1 | U192104000 | PILOTO COMPLETO | COMPLETE PILOT LIGHT | 1 | 1 | 1 | 1 | | | | | |
| S/Nº | U222130000 | TERMOPAR L=600 | THERMOCOUPLE L=600 | 1 | 1 | 1 | 1 | | | | | |
| S/Nº | U442137000 | INYECTOR Ø 0,4 GN | INJECTOR Ø 0.4 GN. | 1 | 1 | 1 | 1 | | | | | |
| S/Nº | X022131000 | BUJIA | SPARK PLUG | 1 | 1 | 1 | 1 | | | | | |
| 2 | U965013000 | CONDUCCIN PILOTO MESA AD | TABLE PILOT CONDUCCIN AD | 1 | 1 | 1 | 1 | | | | | |
| S/Nº | S312107000 | MANGUITO TUBO PILOTO | PILOT PIPE HOSE | 2 | 2 | 2 | 2 | | | | | |
| S/Nº | X205028000 | BICONO Ø 6 | BICONE Ø 6 | 1 | 1 | 1 | 1 | | | | | |
| 3 | U965011000 | TUBO VALVULA QUEMADOR | BURNER VALVE PIPE | 1 | 1 | 1 | 1 | | | | | |
| 4 | R302400000 | TOBERA Ø 1,65 BP (10850) | NOZZLE Ø 1.65 BP (10850) | 1 | 1 | 1 | 1 | | | | | |
| 4 | U054400000 | TOBERA Ø 2,5 GN (10850) | NOZZLE Ø 2,5 GN (10850) | 1 | 1 | 1 | 1 | | | | | |
| 5 | U915014000 | PORTATOBERAS HORNO | OVEN NOZZLE HOLDER | 1 | 1 | 1 | 1 | | | | | |
| S/Nº | U565011000 | TUERCA GUIA | NUT GUIDE | 1 | 1 | 1 | 1 | | | | | |
| 6 | U942102000 | GRIFO 18700 BY-PASS 1,20 | TAP 18700 BY-PASS 1,20 | 1 | 1 | 1 | 1 | | | | | |
| 7 | T723009000 | PULSADOR SERIE MICRO | MICRO SWITCH SERIES | 1 | 1 | 1 | 1 | | | | | |
| 8 | U965002000 | TUBO PILOTO POSTERIOR AD | REAR PILOT PIPE AD | 1 | 1 | 1 | 1 | | | | | |
| S/Nº | S312107000 | MANGUITO TUBO PILOTO | PILOT PIPE HOSE | 2 | 2 | 2 | 2 | | | | | |
| S/Nº | X205028000 | BICONO Ø 6 | BICONE Ø 6 | 1 | 1 | 1 | 1 | | | | | |
| 9 | U965005000 | CON. QUEMADOR POSTERIOR AD | REAR BURNER UNIT COMP. | 1 | 1 | 1 | 1 | | | | | |
| 10 | U915014000 | PORTATOBERAS HORNO | OVEN NOZZLE HOLDER | 1 | 1 | 1 | 1 | | | | | |
| S/Nº | U565011000 | TUERCA GUIA | NUT GUIDE | 1 | 1 | 1 | 1 | | | | | |
| | Q153002000 | TORNILLO TAPON | CAP BOLT | 2 | 2 | 2 | 2 | | | | | |
| 11 | U122407000 | TOBERA Ø 1,05 BP (4000) | NOZZLE Ø 1.05 BP (4000) | 1 | 1 | 1 | 1 | | | | | |
| 11 | R302400000 | TOBERA Ø 1,65 GN (4000) | NOZZLE Ø 1.65 GN (4000) | 1 | 1 | 1 | 1 | | | | | |
| 11 | 0631000000 | TOBERA Ø 1,40 BP (8000) | NOZZLE Ø 1.40 BP (8000) | 1 | 2 | 2 | 3 | | | | | |
| 11 | U112402000 | TOBERA Ø 2,10 GN (8000) | NOZZLE Ø 2,10 GN (8000) | 1 | 2 | 2 | 3 | | | | | |
| 12 | U965001000 | TUBO PILOTO ANTERIOR AD | FRONT PILOT PIPE AD | 1 | 1 | 1 | 1 | | | | | |
| S/Nº | S312107000 | MANGUITO TUBO PILOTO | PILOT PIPE HOSE | 2 | 2 | 2 | 2 | | | | | |
| S/Nº | U962108000 | BICONO Ø 6 | BICONE Ø 6 | 2 | 3 | 4 | 2 | | | | | |
| | | | | | | | | | | | | |
| | | | | | | | | | | | | |
| | | | | | | | | | | | | |


| MOD. | | COCINAS / RANGES | ZONA / ZONE | PARTE FUNCIONAL / FUNCTIONAL PART | | | | PLANO DIAGRAM | | C-2883 | | |
|------|------------------|------------------------------|------------------------------|-----------------------------------|---------------|---------------|---------------|---------------|--|----------------------|------------------------|-------|
| ITEM | CODIGO REFERENCE | DENOMINACION | DENOMINATION | CGF9-120 I AD | CGF9-120 D AD | CGF9-121 I AD | CGF9-121 D AD | | | ELIMINADO ELIMINATED | INTRODUCID. INTRODUCED | NOTAS |
| 13 | U962109000 | PILOTO COMPLETO | S140(0140028) PILOT UNIT | 2 | 2 | 2 | 2 | | | | | |
| S/Nº | U962107000 | INYECTOR LPG | INJECTOR LPG | 2 | 2 | 2 | 2 | | | | | |
| S/Nº | U962106000 | INYECTOR NG | INJECTOR NG | 2 | 2 | 2 | 2 | | | | | |
| S/Nº | U962101000 | TERMOPAR 1500 | THERMOCOUPLE 1500 | 1 | 1 | 1 | 1 | | | | | |
| S/Nº | U962102000 | TERMOPAR 600 | THERMOCOUPLE 600 | 1 | 1 | 1 | 1 | | | | | |
| S/Nº | X012101000 | BUJIA 915.037 | SPARK PLUG | 2 | 2 | 2 | 2 | | | | | |
| S/Nº | S312107000 | MANGUITO TUBO PILOTO | PILOT PIPE HOSE | 2 | 2 | 2 | 2 | | | | | |
| 14 | U965003000 | CONduc. QUEMADOR ANTERI. AD | FRONT BURNER PIPE AD | 1 | 1 | 1 | 1 | | | | | |
| 15 | U265033000 | PORTATOVERAS Ø10 | NOZZLE HOLDER Ø10 | 1 | 1 | 1 | 1 | | | | | |
| | Q153002000 | TORNILLO TAPON | CAP BOLT | 2 | 2 | 2 | 2 | | | | | |
| 16 | U912115000 | GRIFO 18700 BY-PASS 0,75 | TAP 18700 BY-PASS 0.75 | 1 | 1 | 1 | 1 | | | | | |
| 16 | U912109000 | GRIFO 18700 BY-PASS 1,15 | TAP 18700 BY-PASS 1.15 | 1 | 1 | 1 | 1 | | | | | |
| 17 | U022117000 | MANDO MONT COCINA GAS Ø8 | GAS COOK. ASSEMBLY CTRL Ø8 | 3 | 3 | 3 | 3 | | | | | |
| 18 | U912104000 | BRIDA AMARRE GRIFO 1/2" | TAP FASTENING FLANGE 1/2" | 3 | 3 | 3 | 3 | | | | | |
| | Q122032000 | TORNILLO ALLEN M5x15 | ALLEN BOLT M5x15 | 3 | 3 | 3 | 3 | | | | | |
| 19 | U025050000 | ENTRADA MINISIT COMPL CG900 | INPUT MINISIT COMPL CG900 | - | - | - | 1 | | | | | |
| | Q306062000 | ARANDELA Ø13,9X10,33x1,5 | WASHER Ø13.9X10.33x1.5 | - | - | - | 8 | | | | | |
| 20 | U025061000 | TUBO COMPLETO EUROSIT QUEM | COMPLETE PIPE EUROSIT BURN | - | - | - | 1 | | | | | |
| 21 | U202103000 | MANGUITO REDUCCION 1/2-3/8" | REDUCTION HOSE 1/2-3/8" | - | - | - | 2 | | | | | |
| | Q306058000 | ARANDELA 25x17X2.5 | WASHER 25x17X2.5 | - | - | - | 2 | | | | | |
| 22 | U322118000 | PILOTO COMPLETO 100.062 | COMPLETE PILOT LIGHT 100,062 | - | - | - | 1 | | | | | |
| S/Nº | U442137000 | INYECTOR Ø 0,4 GN | INJECTOR Ø 0.4 GN. | - | - | - | 1 | | | | | |
| S/Nº | U562130000 | TERMOPAR L=850 | THERMOCOUPLE L=850 | - | - | - | 1 | | | | | |
| | Q012031000 | TORNILLO EXAGONAL M5x15 A304 | HEXAGONAL BOLT M5x15 A304 | - | - | - | 2 | | | | | |
| 23 | U134324000 | VALVULA MINISIT 0710.654 | VALVE MINISIT 0710.654 | - | - | - | 1 | | | | | |
| S/Nº | Q307041000 | JUNTA TORICA 25,4x20,2x2,6 | O-RING 25.4x20.2x2.6 | - | - | - | 2 | | | | | |
| S/Nº | U134317000 | MANDO NEGRO MINI 916.124 | BLACK CTRL. MINI 916.124 | - | - | - | 1 | | | | | |
| S/Nº | U134318000 | CUBIERTA MINISIT 903.052 | COVER MINISIT 903.052 | - | - | - | 1 | | | | | |
| S/Nº | Q031322000 | TORNILLO ALOMADO M4x15 | CURVED SCREW M4X15 | - | - | - | 8 | | | | | |
| S/Nº | U264300000 | RACOR 3/8 906,252 | CONNECTION 3/8 906.252 | - | - | - | 2 | | | | | |
| S/Nº | U134323000 | RACORD BICONO 6 958.031 | BICONE CONNECTION 6 958.031 | - | - | - | 1 | | | | | |



ITEM MARCADO EN COLOR = REPUESTO RECOMENDADO
COLOURED ITEM = RECOMMENDED SPARE PART

| | | | |
|---------------------|--------------|------------------------------------|----------------------------------------|
| Nº plano / N° plane | Fecha / Date | Denominación / Denomination: | Lamina / Sheet |
| C-2884 | 2011-1-10 | HORNO / OVEN COCINA CGF9-121 AD | 5 |
| Firma | | | Fagor Industrial S. Coop. FAGOR |
| | | | Onate |



| | | | | | | |
|------------------------|--------------------------------------------------------------------|------------|-------------------------------------------------------------------------------------------------------------------------------------------|------------------------------|-------------------|--------------------------------------------|
| - | Eskema teorikoa: ADVANCE | | - | - | U023001000 | - |
| Zk./Nº | Pieza | | Cant. | Materiala/Material | Klas. zk/Nº Clas. | Gainazal akabera/Tratamiento |
| Zk./Nº | Aldaketa/Modificaciones | | | Nork proposatua/Propuesta de | Data/Fecha | Perdoi orokorrak Tolerancias generales |
| - | - | - | - | - | - | < 5 ± 0.2 |
| - | - | - | - | - | - | 50 ÷ 100 ± 0.8 |
| - | - | - | - | - | - | 5 ÷ 25 ± 0.4 |
| - | - | - | - | - | - | >100 ± 1 |
| - | - | - | - | - | - | 25 ÷ 50 ± 0.6 |
| - | - | - | - | - | - | α ± 1 |
| Marraztua/Dibujado | Sinadura/Firma | Data/Fecha | FAGOR  Fagor Industrial, Koop. Elk, Mugatua | | | Gainazal perdoia Mecanizado superficial |
| Proiektatua/Proyectado | e.carrascal | 2008-11-25 | | | | - |
| Egiaztatua/Comprobado | I. Alberdi | 2008-11-25 | | | | - |
| Eskala/Escala | EGOSKETA | | | | | Plano Zk./Plano Nº HB-80558 |
| - | Plano hau ezin daiteke erabili, ez berriztatu, gure baimenik gabe. | | | | | - Zk. ord. du |
| - | | | | | | - Zk.gaitik ord. |