
DESPIECE TECNICO

Cocinas a Gas
Gas ranges
Fourneaux à gaz
Gas-herde
Cucine a gas
Fogão a gás

GAMA 700

Modelos:

CG7-20

CG7-40

CG7-60

CG7-41

CG7-61

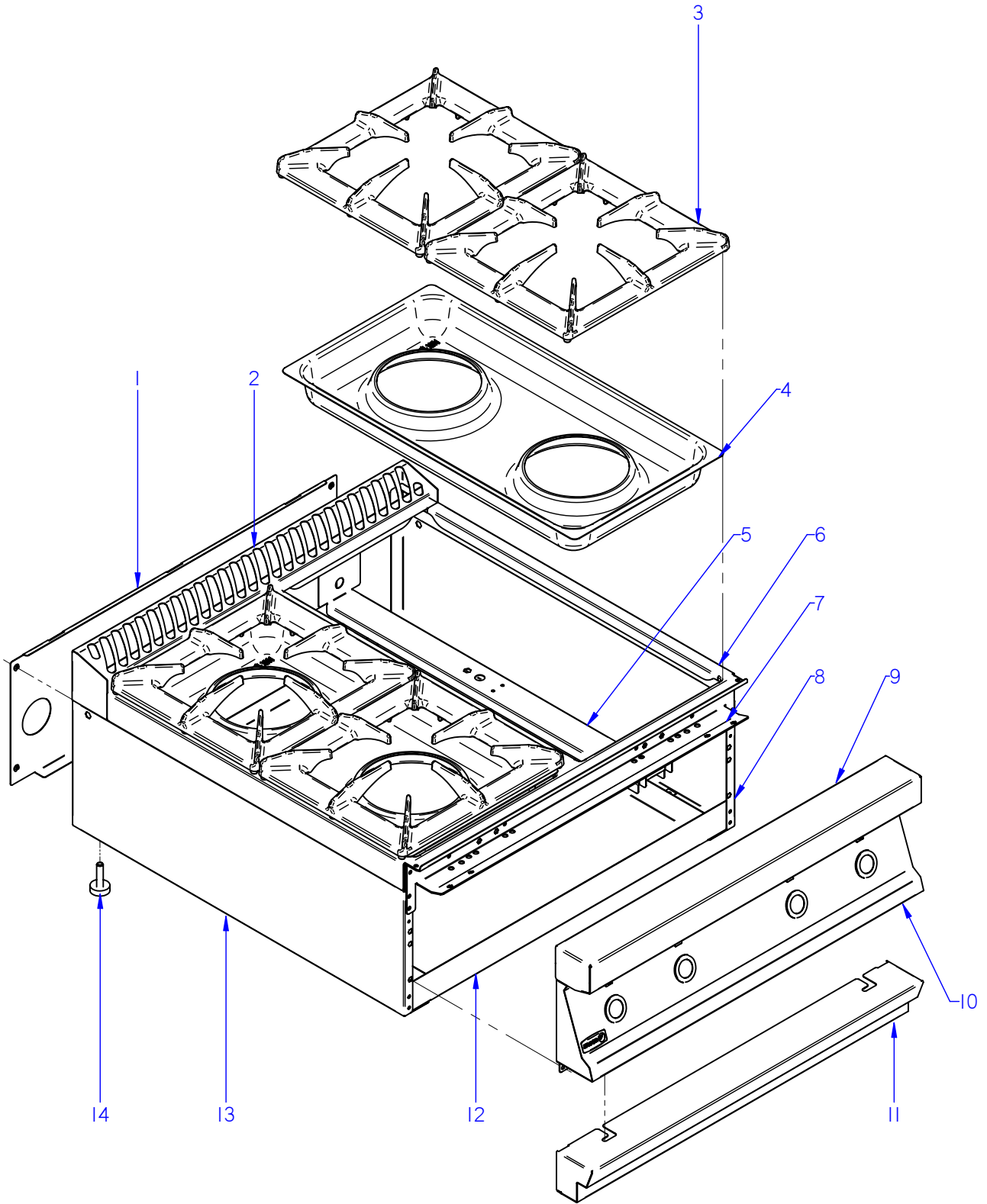
CGE7-41

Mayo 2008 May

Revisado Mayo 2014 May Revised



F A G O R I N D U S T R I A L

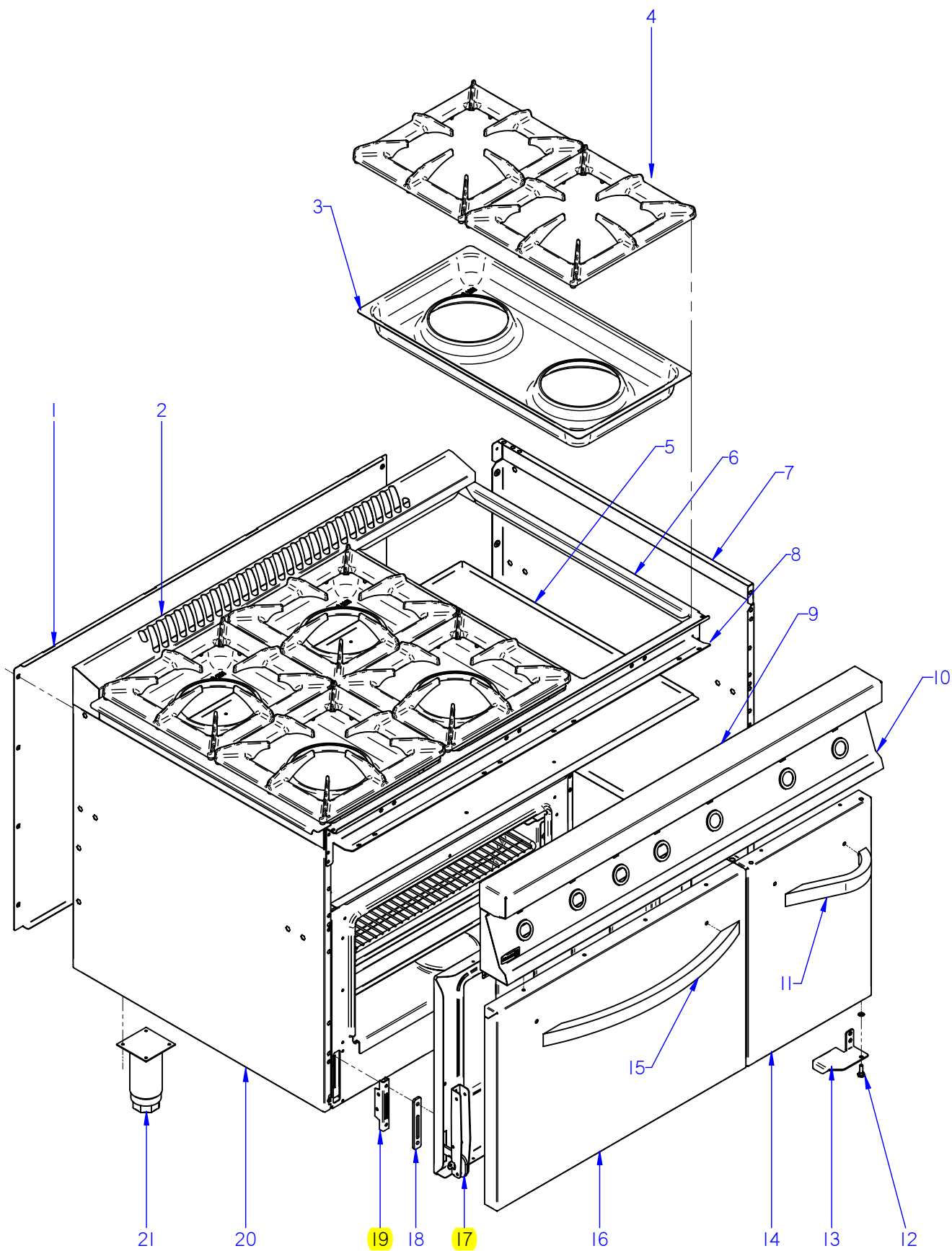


ITEM MARCADO EN COLOR = REPUESTO RECOMENDADO
 COLOURED ITEM = RECOMMENDED SPARE PART

N plano	Firma	Fecha	Aparato	MUEBLE	Lamina	Fagor Industrial S.Coop. FAGOR
C-2050	<i>(Signature)</i>	2008-05	COCINAS CG7-20; CG7-40; CG7-60		1	Oñate

MOD.		COCINAS		ZONA	MUEBLE			PLANO	C-2050
ITEM	CODIGO	DENOMINACION	TEXTO	CG7-20	CG7-40	CG7-60			NOTAS
1	H602804000	PANEL POSTERIOR SU. G700 1/2M	SUP REAR PANEL G700 1/2M	1	-	-			
1	H602808000	PANEL POSTERIOR SU. G700 1M	SUP REAR PANEL G700 1M	-	1	-			
1	U932813000	PANEL POSTERIOR SU. G750	SUP REAR PANEL G750	-	-	1			
	Q419005000	REMACHE 4X8 ALMG3 / ALUMINIO	RIVET 4X8 ALMG3 / ALUMINIUM	4	4	4			
	X010503000	CIERRE MUELLE	LOCK SPRING	3	4	4			
	Q419007000	REMACHE TUBULAR C/V D3.2X6	TUBULAR RIVET C/V D3.2X6	6	8	8			
2	H125404000	EMBELLECEDOR POSTERIO. 1/2M	REAR TRIM. 1/2M	1	-	-			
2	S565401000	EMBELLECEDOR POSTERIOR 1M	REAR TRIM 1M	-	1	-			
2	U915406000	EMBELLECEDOR POSTERIO. 1,5M	REAR TRIM 1,5M	-	-	1			
3	U915413000	PARRILLA DE MESA (G 700)	TABLE GRILL (G 700)	2	4	6			
4	U915407000	BACINETA QUEMADORES G 700	BASIN BURNERS G 700	1	2	3			
5	U915408000	LISTON SOPORTE QUEMA G 700	BURNER SUPPORT STRUT G 700	1	2	3			
	Q221342000	REMACHE EXAGONAL M5	HEXAGONAL RIVET M5	4	8	12			
	Q152004000	TORNIL. APLASTADO M5X13 A 304	FLAT HEADED SCREW M5x13 A 304	4	8	12			
6	U915410000	MESA COCINA 1/2 M G 700	KITCHEN TABLE 1/2 M G 700	1	-	-			
6	U915411000	MESA COCINA 1 M G 700	KITCHEN TABLE 1 M G 700	-	1	-			
6	U915405000	MESA COCINA 1 1/2 M G 700	KITCHEN TABLE 1 1/2 M G 700	-	-	1			
	Q012031000	TORNILLO EXAGONAL M5X10 A.304	HEXAGONAL BOLT M5X10 A.304	4	4	4			
7	H602602000	ESCUADRA AMARRE ANTER. 1/2 M	FRONT FASTENING BRACKET 1/2	1	-	-			
7	H602603000	ESCUADRA AMARRE ANTER. 1 M	FRONT FASTENING BRACKET 1	-	1	-			
7	U912603000	ESCUADRA AMARRE ANTER. 1,5 M	FRONT FASTENING BRACKET 1	-	-	1			
	Q221342000	REMACHE EXAGONAL M5	HEXAGONAL RIVET M5	6	6	6			
	Q012031000	TORNILLO EXAGONAL M5X10 A.304	HEXAGONAL BOLT M5X10 A.304	3	6	6			
8	H122802000	PANEL LATERAL SUP. DCHO. G700	RIGHT SUP. SIDE PANEL G700	1	1	1			
	Q221342000	REMACHE EXAGONAL M5	HEXAGONAL RIVET M5	5	6	6			
	Q221343000	REMACHE EXAGONAL M6	HEXAGONAL RIVET M6	5	5	5			SISTEMA PUENTE
9	H125403000	ANTERIOR MESA 1/2M G-700	FRONT BENCH 1/2M G-700	1	-	-			
9	H125409000	ANTERIOR MESA 1M G-700	FRONT BENCH 1M G-700	-	1	-			
9	U915402000	ANTERIOR MESA 1,5 M G-700	FRONT BENCH 1,5 M G-700	-	-	1			

MOD.		COCINAS		ZONA	MUEBLE			PLANO	C-2050	
ITEM	CODIGO	DENOMINACION	TEXTO	CG7-20	CG7-40	CG7-60				NOTAS
10	U902806000	PANEL PORTAMANDOS CG7-20	CONTROL HOLDER PANEL CG7-20	1	-	-				
10	U902802000	PANEL PORTAMANDOS CG7-40	CONTROL HOLDER PANEL CG7-40	-	1	-				
10	U902809000	PANEL PORTAMANDOS CG7-60	CONTROL HOLDER PANEL CG7-60	-	-	1				
	Q151336000	TORNILLO SOPORTE GUIAS	GUIDE SUPPORT BOLT	2	2	3				
	Q152004000	TORNIL. APLASTADO M5X13 A 304	FLAT HEADED SCREW M5x13 A 304	4	4	4				
	Q302022000	ARANDELA 16X6X1.2 A.304	WASHER 16X6X1.2 A.304	2	2	2				
	U912805000	ESCUDO FAGOR G700	FAGOR EMBLEM G700	1	1	1				
	Q221023000	CLIP SUJECIÓN RÁPIDA Ø5	RAPID CONNECT CLIP Ø5	2	2	2				
11	H602803000	ZOCALO 7-05 Q	SKIRTING 7-05 Q	1	-	-				
11	H602816000	ZOCALO 7-10 Q	SKIRTING 7-10 Q	-	1	-				
11	U932817000	ZOCALO 7-50	SKIRTING 7-50	-	-	1				
	Q012031000	TORNILLO EXAGONAL M5X10 A.304	HEXAGONAL BOLT M5X10 A.304	2	2	2				
	Q302022000	ARANDELA 16X6X1.2 A.304	WASHER 16X6X1.2 A.304	2	2	2				
	Q162040000	TUERCA EXAGONAL M6	HEXAGONAL NUT M6	2	4	4				
	Q302022000	ARANDELA 16X6X1.2 A.304	WASHER 16X6X1.2 A.304	2	4	4				
12	U902807000	BASE CG7-20 SM	BASE CG7-20 SM	1	-	-				
12	U902803000	BASE CG7-40 Q	BASE CG7-40 Q	-	1	-				
12	U932816000	BASE CG7-50	BASE CG7-50	-	-	1				
	Q419005000	REMACHE 4X8 ALMG3 / ALUMINIO	RIVET 4X8 ALMG3 / ALUMINIUM	4	4	4				
13	H122801000	PANEL LATERAL SUP. IZDO. G700	LEFT UPPER SIDE PANEL G700	1	1	1				
	Q221342000	REMACHE EXAGONAL M5	HEXAGONAL RIVET M5	5	5	5				
	Q221343000	REMACHE EXAGONAL M6	HEXAGONAL RIVET M6	5	5	5				SISTEMA PUENTE
14	Z200107000	PATA REGULABLE	ADJUSTABLE LEG	4	4	4				
	Q221345000	REMACHE EXAGONAL M10	HEXAGONAL RIVET M10	4	4	4				



ITEM MARCADO EN COLOR = REPUESTO RECOMENDADO
 COLOURED ITEM = RECOMMENDED SPARE PART

N plano	Firma	Fecha	Aparato	MUEBLE	Lamina	Fagor Industrial S.Coop. FAGOR
C-2051	<i>(Signature)</i>	2008-05	COCINAS CG7-41 / 61 ; CGE7-41		2	Oñate

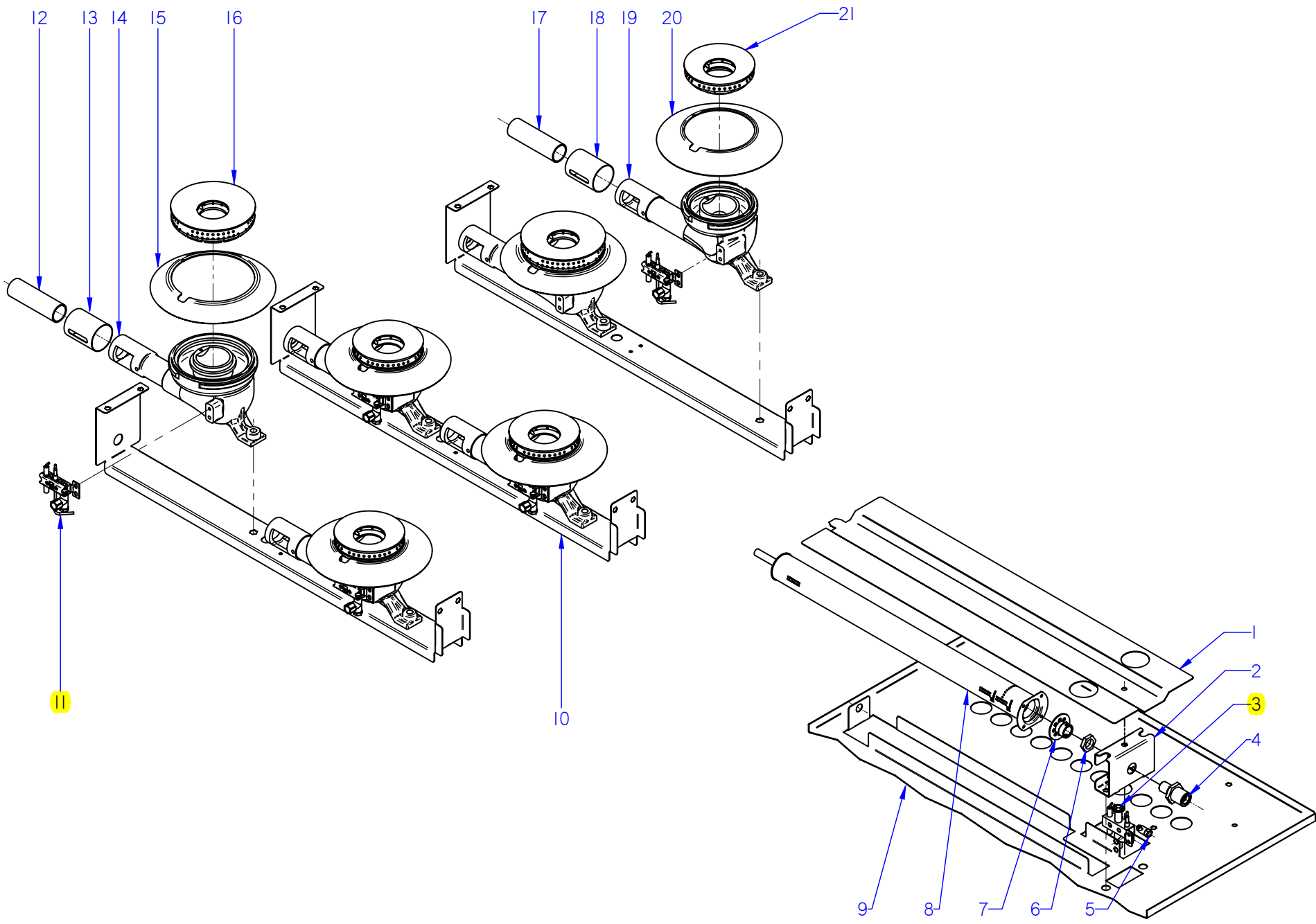
MOD.		COCINAS		ZONA	MUEBLE			PLANO	C-2051
ITEM	CODIGO	DENOMINACION	TEXTO	CG7-41	CG7-61	CGE7-41			NOTAS
1	S562805000	PANEL POSTERIOR G750	REAR PANEL G750	1	—	1			
1	U912809000	PANEL POSTERIOR 1 1/2M G 700	REAR PANEL 1 1/2M G 700	—	1	—			
	Q419005000	REMACHE 4X8 ALMG3 / ALUMINIO	RIVET 4X8 ALMG3 / ALUMINIUM	8	8	8			
2	S565401000	EMBELLECEDOR POSTERIOR 1M	REAR TRIM 1M	1	—	1			
2	U915406000	EMBELLE CHIMENEA 1 1/2 G 700	FLUE PIPE TRIM 1 1/2 G 700	—	1	—			
3	U915407000	BACINETA QUEMADORES G 700	BASIN BURNERS G 700	2	3	2			
4	U915413000	PARRILLA DE MESA (G 700)	TABLE GRILL (G 700)	4	6	4			
5	U912605000	BASE RECOGE GRASAS 1M	GREASE COLLECTION TRAY 1M	1	—	1			
5	U912604000	BASE RECOGE GRASAS 1 1/2M	GREASE COLLECTION BASE 1 1/2M	—	1	—			
	Q419005000	REMACHE 4X8 ALMG3 / ALUMINIO	RIVET 4X8 ALMG3 / ALUMINIUM	3	3	3			
6	U915411000	MESA COCINA 1 M G 700	KITCHEN TABLE 1 M G 700	1	—	1			
6	U915405000	MESA COCINA 1 1/2M G 700	KITCHEN TABLE 1 1/2M G 700	—	1	—			
	Q152004000	TORNIL. APLASTADO M5X13 A 304	FLAT HEADED SCREW M5x13 A 304	4	4	4			
7	U912802000	PANEL LATERAL DCHO. G700	RIGHT SIDE PANEL G700	1	1	1			
	Q221342000	REMACHE EXAGONAL M5	HEXAGONAL RIVET M5	4	4	4			
	Q221343000	REMACHE EXAGONAL M6	HEXAGONAL RIVET M6	11	11	11			
	Q012043000	TORNILL. EXAGONAL M6X20 A.304	HEXAGONAL BOLT M6X10 A.304	2	2	2			
	Q302022000	ARANDELA 16X6X1.2 A.304	WASHER 16X6X1.2 A.304	2	2	2			
8	H602603000	ESCUADRA AMARRE ANTER. 1 M	FRONT FASTENING BRACKET 1M	1	—	1			
8	U912603000	ESCUADRA AMARRE ANTERI 1 1/2	FRONT FAST. BRACKET 1 1/2	—	1	—			
	Q221342000	REMACHE EXAGONAL M5	HEXAGONAL RIVET M5	6	6	6			
	Q152004000	TORNIL. APLASTADO M5X13 A 304	FLAT HEADED SCREW M5x13 A 304	6	6	6			
9	H125409000	ANTERIOR MESA 1M G-700	FRONT BENCH 1M G-700	1	—	1			
9	U915402000	ANTERIOR MESA 1 1/2M G700	FRONT BENCH 1 1/2M G700	—	1	—			
	Q152004000	TORNIL. APLASTADO M5X13 A 304	FLAT HEADED SCREW M5x13 A 304	2	2	2			
10	U912808000	PORTAMANDOS COMPL CG-741	COMPL CONTROL HOLDER CG-741	1	—	1			
10	U912804000	PORTAMANDOS COMPL CG-761	COMPL CONTROL HOLDER CG-761	—	1	—			
10	U952810000	PORTAMANDOS COMPL CGE-741	COMPL CONTROL HOLDER CGE-741	—	—	1			
	Q152004000	TORNIL. APLASTADO M5X13 A 304	FLAT HEADED SCREW M5x13 A 304	4	4	4			
	U912805000	ESCUDO FAGOR G700	FAGOR EMBLEM G700	1	1	1			
	Q221023000	CLIP SUJECIÓN RÁPIDA Ø5	RAPID CONNECT CLIP Ø5	2	2	2			

MOD.		COCINAS		ZONA	MUEBLE			PLANO	C-2051
ITEM	CODIGO	DENOMINACION	TEXTO	CG7-41	CG7-61	CGE7-41			NOTAS
11	U910506000	ASA ARMARIO COMPL G700	FULL CUPBOARD HANDLE G700		1				
	Q162040000	TUERCA EXAGONAL M6	HEXAGONAL NUT M6		2				
	Q232040000	ARANDELA A6	WASHER A6		2				
12	X960504000	TORNILLO DE GIRO M8	ROTATION BOLT M8		1				
	Q232040000	ARANDELA A6	WASHER A6		2				
	Q232050000	ARANDELA A8	WASHER A8		1				
13	U020511000	BISAGRA DERECHA INFERIOR	LOWER RIGHT HINGE		1				
14	U910503000	PUERTA LATERAL G700	SIDE DOOR G700		1				
	U910504000	CONTRAPUERTA LATERAL G 700	SIDE DOOR REVERSE G 700		1				
	X960501000	IMAN	MAGNET		2				
	X960502000	FIJACION IMAN	MAGNET ATTACHMENT		2				
	Q012021000	TORN.EXA. M4X10	HEX BOLT M4X10		2				
	Q232050000	ARANDELA A8	WASHER A8		2				
15	U020504000	ASA DE HORNO COMPL. G 900	COMPL. OVEN HANDLE G 900	1	1	1			
	Q302022000	ARANDELA 16X6X1.2 A.304	WASHER 16X6X1.2 A.304	2	2	2			
	Q012041000	TORNILLO EXAGONAL M6X10 A.304	HEXAGONAL BOLT M6X10 A.304	2	2	2			
	Q162040000	TUERCA EXAGONAL M6	HEXAGONAL NUT M6	2	2	2			
	12038310	KIT PUERTA HORNO	OVEN DOOR KIT	1	1	1			
16	U910501000	PUERTA DE HORNO G700	OVEN DOOR G700	1	1	1			
	U910502000	CONTRAPUERTA HORNO G700	OVEN DOOR REVERSE G700	1	1	1			
	Q152004000	TORNIL. APLASTADO M5X13 A 304	FLAT HEADED SCREW M5x13 A 304	3	3	3			
	X160537000	TAPON PUERTAS	DOOR COVER	1	1	1			
17	U020528000	BISAGRA CIERRE HORNO	OVEN LOCK HINGE	2	2	2			
	Q152022000	TORNILLO M.6X8	BOLT M.6X8	6	6	6			
18	U915619000	EMBELLECEDOR GUIA BISAGRA	HINGE GUIDE TRIM	2	2	2			
	Q152045000	TORNILLO AMARRRE M6X25	FASTENING BOLT M6X25	4	4	4			
19	U010512000	GUIA BISAGRA HORNO	OVEN HINGE GUIDE	2	2	2			

MOD.		COCINAS		ZONA	MUEBLE			PLANO	C-2051		
ITEM	CODIGO	DENOMINACION	TEXTO	CG7-41	CG7-61	CGE7-41					NOTAS
20	U912801000	PANEL LATERAL IZDO. G700	LEFT SIDE PANEL G700	1	1	1					
	Q221342000	REMACHE EXAGONAL M5	HEXAGONAL RIVET M5	13	13	13					
	Q221343000	REMACHE EXAGONAL M6	HEXAGONAL RIVET M6	2	2	2					
	Q012043000	TORNILL. EXAGONAL M6X20 A.304	HEXAGONAL BOLT M6X10 A.304	2	2	2					
	Q302022000	ARANDELA 16X6X1.2 A.304	WASHER 16X6X1.2 A.304	2	2	2					
	Q221343000	REMACHE EXAGONAL M6	HEXAGONAL RIVET M6	7	7	7					SISTEMA PUENTE
21	X260151000	PATA REGULABLE	ADJUSTABLE LEG	4	4	4					
	Q411304000	REMACHE AVIBULB Ø 4,8	AVIBULB RIVET Ø 4.8	16	16	16					

N plano	C-2052
Firma	
Fecha	2008-05
Aparato	COCINAS CG7-20/40/41/61; CGE7-41
QUEMADORES	
Lamina	3
Fagor Industrial S. Coop. Omate	

ITEM MARCADO EN COLOR = REPUESTO RECOMENDADO
 COLOURED ITEM = RECOMMENDED SPARE PART



MOD.		COCINAS		ZONA	QUEMADORES						PLANO	C-2052
ITEM	CODIGO	DENOMINACION	TEXTO	CG7-20	CG7-40	CG7-60	CG7-41	CG7-61	CGE7-41			
1	U915613000	DEFLECTOR QUEMADOR HORNO	OVEN BURNER DEFLECTOR	-	-	-	1	1	-			
	Q152004000	TORNIL. APLASTADO M5X13 A 304	FLAT HEADED SCREW M5x13 A 304	-	-	-	1	1	-			
	Q302022000	ARANDELA 16X6X1.2 A.304	WASHER 16X6X1.2 A.304	-	-	-	1	1	-			
	Q221342000	REMACHE EXAGONAL M5	HEXAGONAL RIVET M5	-	-	-	1	1	-			
2	U105635000	AMARRE QUEMADOR HORNO(HG)	OVEN BURNER FASTENING (HG)	-	-	-	1	1	-			
	Q222041000	REMACHE EXAGONAL M4 (INOX)	HEXAGONAL RIVET M4 (INOX)	-	-	-	4	4	-			
	Q012031000	TORNILLO EXAGONAL M5X10 A304	HEXAGONAL BOLT M5x10 A304	-	-	-	2	2	-			
3	U322118000	PILOTO COMPLETO 100.062	COMPLETE PILOT LIGHT 100.062	-	-	-	1	1	-			
	U442137000	INYECTOR Ø 0.4 GN	INJECTOR Ø 0.4 GN.	-	-	-	1	1	-			
	Q012031000	TORNILLO EXAGONAL M5X10 A304	HEXAGONAL BOLT M5x10 A304	-	-	-	2	2	-			
4	X505724000	MANGUITO PORTATOVERAS	NOZZLE HOLDER SLEEVE	-	-	-	1	1	-			
5	U134323000	RACORD BICONO 6 958.031	BICONE CONNECTION 6 958.031	-	-	-	1	1	-			
6	Q223019000	TUERCA 3/8 GAS LATÓN	NUT 3/8 GAS BRASS	-	-	-	1	1	-			
7	X505013000	REGULADOR DE AIRE POLIDORO	POLIDORO AIR CONTROL	-	-	-	1	1	-			
	Q031322000	TORNILLO ALOMADO M4X15	CURVED SCREW M4X15	-	-	-	1	1	-			
8	U105701000	QUEMADOR HORNO COMPLETO	COMPLETE OVEN BURNER	-	-	-	1	1	-			
	Q042022000	TORNILLO AVELLANADO M4X15	COUNTERSUNK BOLT M4x15	-	-	-	4	4	-			
	R612400000	TOBERA DE Ø 1.35 B.P.	NOZZLE Ø 1.35 B.P.	-	-	-	1	1	-			
	9207500000	TOBERA DE Ø 2.05 G.N.	NOZZLE Ø 2.05 G.N.	-	-	-	1	1	-			
9	U915606000	BASE INTERIOR HORNO G700	OVEN INTERIOR BASE G700	-	-	-	1	1	-			
	Q152004000	TORNIL. APLASTADO M5X13 A304	FLAT HEADED BOLT M5x13 A304	-	-	-	4	4	-			
	Q221342000	REMACHE EXAGONAL M5	HEXAGONAL RIVET M5	-	-	-	2	2	-			
10	U915408000	LISTON SOPORTE QUEMA G 700	BURNER SUPPORT STRUT G 700	1	2	3	2	3	2			
11	11U9121210	PILOTO COMPLETO	COMPLETE PILOT LIGHT	2	4	6	4	6	4			
S/Nº	X012126000	CUERPO SIN RACORD 901.210	BODY WITHOUT CONNECTION 901.210	2	4	6	4	6	4		SOLO EN VERSION BP	
S/Nº	U442137000	INYECTOR Ø 0.4 GN	INJECTOR Ø 0.4 GN.	2	4	6	4	6	4			
S/Nº	U912107000	CABEZA PILOTO 1 LLAMA (G 700)	PILOT HEAD 1 FLAME (G 700)	2	4	6	4	6	4			
S/Nº	U442130000	AMARRE TRASERO PI 978.009	REAR FASTEN. PI 978.009	2	4	6	4	6	4			
S/Nº	X012116000	TORNILLO AMARRE 953.007	FASTENING BOLT 953.007	2	4	6	4	6	4			
S/Nº	X012122000	REGULADOR AIRE 912.001	AIR CONTROL 912.001	2	4	6	4	6	4			
S/Nº	U442131000	AMARRE DELANTERO PI 978.021	FRONT FASTENING PI 978.021	2	4	6	4	6	4			

MOD.		COCINAS		ZONA	QUEMADORES						PLANO	C-2052
ITEM	CODIGO	DENOMINACION	TEXTO	CG7-20	CG7-40	CG7-60	CG7-41	CG7-61	CGE7-41			
S/Nº	U442136000	CUERPO SIN RACORD (INY. Ø 0.4)	BODY WITHOUT CONNECTION 9	2	4	6	4	6	4		SOLO EN VERSION GN	
S/Nº	U442133000	RACORD BICONO 4 958.030	BICONE CONNECTION 4,958.030	2	4	6	4	6	4		ELIMINADO 11.06.08	
12	U565700000	VENTURI QUEMADOR 8000	VENTURI BURNER 8000	1	1	2	1	2	1			
	R422400000	TOBERA DE Ø 1.25 B.P.	NOZZLE Ø 1.25 B.P.	1	1	2	1	2	1			
	U912401000	TOBERA DE Ø 1.95 G.N.	NOZZLE Ø 1.95 G.N.	1	1	2	1	2	1			
13	U265702000	REGULADOR AIRE	AIR CONTROLLER	1	1	2	1	2	1			
14	U915702000	CUERPO QUEMADOR 7000 Kcal/h	BURNER BODY 7000 Kcal/h	1	1	2	1	2	1			
	Q132054000	VARILLA ROSCADA M6 x 12	THREADED ROD M6 x 12	1	1	2	1	2	1			
	Q162040000	TUERCA EXAGONAL M6	HEXAGONAL NUT M6	1	1	2	1	2	1			
15	U915703000	PROTEC. PILOTO QUEMAD. 7000	BURNER PILOT GUARD 7000	1	1	2	1	2	1			
	Q012045000	TORNILLO EXAGONAL M6X30 A.304	HEXAGONAL BOLT M6X30 A.304	1	1	2	1	2	1			
	Q302022000	ARANDELA 16X6X1.2 A.304	WASHER 16X6X1.2 A.304	1	1	2	1	2	1			
16	U135702500	QUEMADOR 8000 MESA	BURNER 8000 BENCH	1	1	2	1	2	1			
	Q371026000	MANGUITO SUJEC. 4X14 DIN1481	HOSE FASTENING 4X14 ØIN1481	1	1	2	1	2	1			
	Q131511000	VARILLA ROSCADA M3x8 DIN 913	THREADED ROD M3x8 DIN 913	1	1	2	1	2	1			
17	U125720000	VENTURI QUEMADOR 4000 kcal	VENTURI BURNER 4000 kcal	2	3	4	3	4	3			
	X312400000	TOBERA DE Ø 1.10 B.P.	NOZZLE Ø 1.10 B.P.	2	3	4	3	4	3		ELIMINADO 24.09.09	
	U122407000	TOBERA DE Ø 1.05 B.P.	NOZZLE Ø 1.05 B.P.	2	3	4	3	4	3		INTRODUCIDO 24.09.09	
	R302400000	TOBERA DE Ø 1.65 G.N.	NOZZLE Ø 1.65 G.N.	2	3	4	3	4	3			
18	U265702000	REGULADOR AIRE	AIR CONTROLLER	2	3	4	3	4	3			
19	U915701000	CUERPO QUEMADOR 5000 Kcal/h	BURNER BODY 5000 Kcal/h	2	3	4	3	4	3			
	Q131542000	VARILLA ROSCADA M6 x 15	THREADED ROD M6 x 15	2	3	4	3	4	3			
	Q162040000	TUERCA EXAGONAL M6	HEXAGONAL NUT M6	2	3	4	3	4	3			
20	U915704000	PROTEC. PILOTO QUEMAD. 5000	BURNER PILOT GUARD 5000	2	3	4	3	4	3			
	Q012045000	TORNILLO EXAGONAL M6X30 A304	HEXAGONAL BOLT M6x30 A304	2	3	4	3	4	3			
	Q302022000	ARANDELA 16X6X1.2 A.304	WASHER 16X6X1.2 A.304	2	3	4	3	4	3			
21	U445731500	QUEMADOR 4000 (00545-010)	BURNER 4000 (00545-010)	2	3	4	3	4	3		ELIMINADO 25.09.09	
21	U445731000	QUEMADOR 4000 (00545-010)	BURNER 4000 (00545-010)	2	3	4	3	4	3		ELIMINADO 12.04.13	
21	12039162	QUEMADOR 4000 Kcal/H	BURNER 4000 Kcal/H	2	3	4	3	4	3		INTRODUCIDO 12.04.13	
	Q371026000	MANGUITO SUJEC. 4X14 DIN1481	HOSE FASTENING 4X14 ØIN1481	2	3	4	3	4	3			
	Q131511000	VARILLA ROSCADA M3x8 DIN 913	THREADED ROD M3x8 DIN 913	2	3	4	3	4	3			

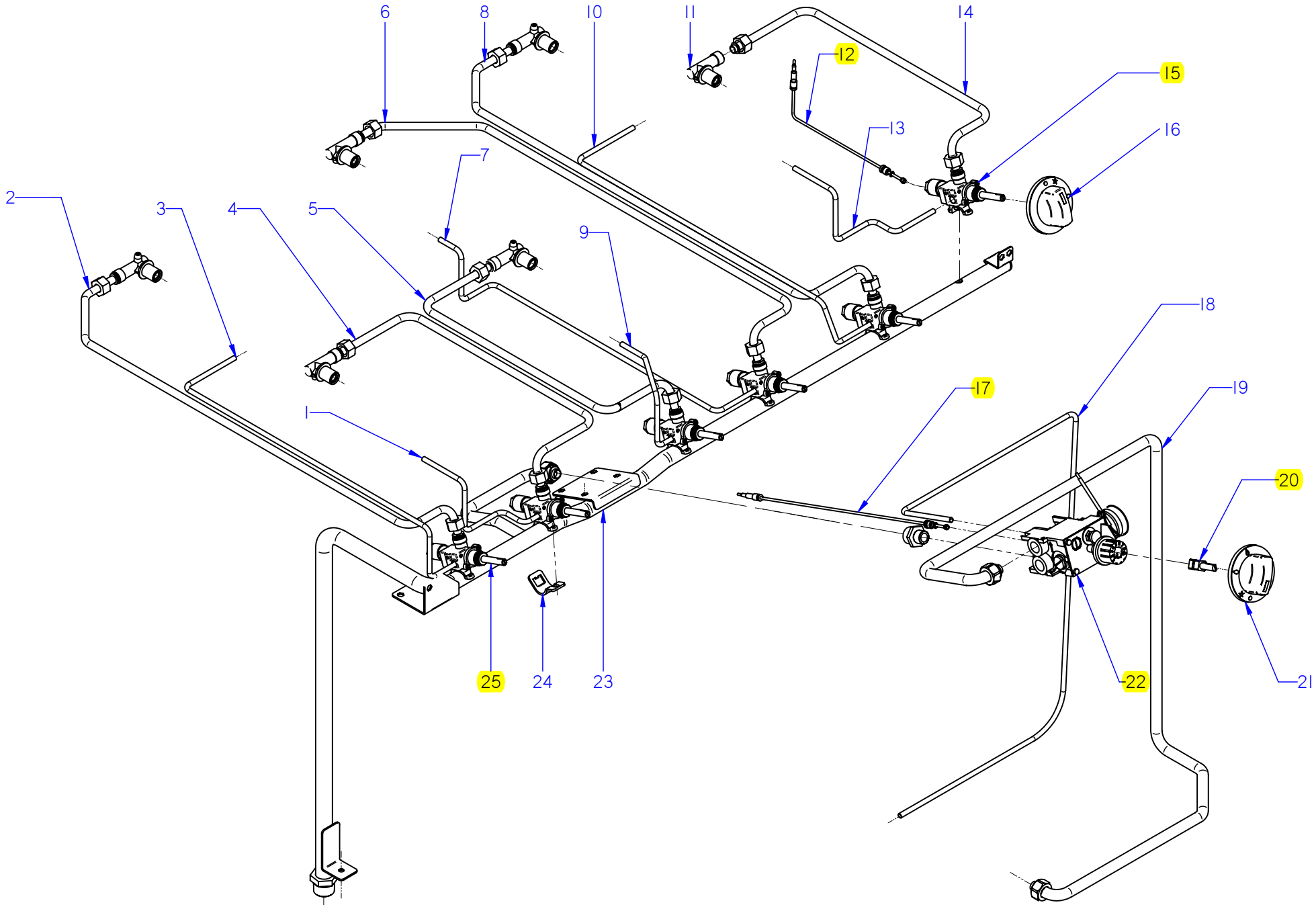
MOD.		COCINAS		ZONA	QUEMADORES						PLANO	C-2052
ITEM	CODIGO	DENOMINACION	TEXTO	CG7-20 H	CG7-40 H	CG7-60H	CG7-41H	CG7-61H	CGE7-41 H			
1	U915613000	DEFLECTOR QUEMADOR HORNO	OVEN BURNER DEFLECTOR	-	-	-	1	1	-			
	Q152004000	TORNIL. APLASTADO M5X13 A 304	FLAT HEADED SCREW M5x13 A 304	-	-	-	1	1	-			
	Q302022000	ARANDELA 16X6X1.2 A.304	WASHER 16X6X1.2 A.304	-	-	-	1	1	-			
	Q221342000	REMACHE EXAGONAL M5	HEXAGONAL RIVET M5	-	-	-	1	1	-			
2	U105635000	AMARRE QUEMADOR HORNO(HG)	OVEN BURNER FASTENING (HG)	-	-	-	1	1	-			
	Q222041000	REMACHE EXAGONAL M4 (INOX)	HEXAGONAL RIVET M4 (INOX)	-	-	-	4	4	-			
	Q012031000	TORNILLO EXAGONAL M5X10 A304	HEXAGONAL BOLT M5x10 A304	-	-	-	2	2	-			
3	U322118000	PILOTO COMPLETO 100.062	COMPLETE PILOT LIGHT 100.062	-	-	-	1	1	-			
	U442137000	INYECTOR Ø 0.4 GN	INJECTOR Ø 0.4 GN.	-	-	-	1	1	-			
	Q012031000	TORNILLO EXAGONAL M5X10 A304	HEXAGONAL BOLT M5x10 A304	-	-	-	2	2	-			
4	X505724000	MANGUITO PORTATOVERAS	NOZZLE HOLDER SLEEVE	-	-	-	1	1	-			
5	U134323000	RACORD BICONO 6 958.031	BICONE CONNECTION 6 958.031	-	-	-	1	1	-			
6	Q223019000	TUERCA 3/8 GAS LATÓN	NUT 3/8 GAS BRASS	-	-	-	1	1	-			
7	X505013000	REGULADOR DE AIRE POLIDORO	POLIDORO AIR CONTROL	-	-	-	1	1	-			
	Q031322000	TORNILLO ALOMADO M4X15	CURVED SCREW M4X15	-	-	-	1	1	-			
8	U105701000	QUEMADOR HORNO COMPLETO	COMPLETE OVEN BURNER	-	-	-	1	1	-			
	Q042022000	TORNILLO AVELLANADO M4X15	COUNTERSUNK BOLT M4x15	-	-	-	4	4	-			
	R612400000	TOBERA DE Ø 1.35 B.P.	NOZZLE Ø 1.35 B.P.	-	-	-	1	1	-			
	9207500000	TOBERA DE Ø 2.05 G.N.	NOZZLE Ø 2.05 G.N.	-	-	-	1	1	-			
9	U915606000	BASE INTERIOR HORNO G700	OVEN INTERIOR BASE G700	-	-	-	1	1	-			
	Q152004000	TORNIL. APLASTADO M5X13 A304	FLAT HEADED BOLT M5x13 A304	-	-	-	4	4	-			
	Q221342000	REMACHE EXAGONAL M5	HEXAGONAL RIVET M5	-	-	-	2	2	-			
10	U915408000	LISTON SOPORTE QUEMA G 700	BURNER SUPPORT STRUT G 700	1	2	3	2	3	2			
11	11U9121210	PILOTO COMPLETO	COMPLETE PILOT LIGHT	2	4	6	4	6	4			
S/Nº	X012126000	CUERPO SIN RACORD 901.210	BODY WITHOUT CONNECTION 9	2	4	6	4	6	4		SOLO EN VERSION BP	
S/Nº	U442137000	INYECTOR Ø 0.4 GN	INJECTOR Ø 0.4 GN.	2	4	6	4	6	4			
S/Nº	U912107000	CABEZA PILOTO 1 LLAMA (G 700)	PILOT HEAD 1 FLAME (G 700)	2	4	6	4	6	4			
S/Nº	U442130000	AMARRE TRASERO PI 978.009	REAR FASTEN. PI 978.009	2	4	6	4	6	4			
S/Nº	X012116000	TORNILLO AMARRE 953.007	FASTENING BOLT 953.007	2	4	6	4	6	4			
S/Nº	X012122000	REGULADOR AIRE 912.001	AIR CONTROL 912.001	2	4	6	4	6	4			
S/Nº	U442131000	AMARRE DELANTERO PI 978.021	FRONT FASTENING PI 978.021	2	4	6	4	6	4			

MOD.		COCINAS		ZONA	QUEMADORES						PLANO	C-2052
ITEM	CODIGO	DENOMINACION	TEXTO	CG7-20 H	CG7-40 H	CG7-61H	CG7-41H	CG7-61H	CGE7-41 H			
S/Nº	U442136000	CUERPO SIN RACORD (INY. Ø 0.4)	BODY WITHOUT CONNECTION 90	2	4	6	4	6	4		SOLO EN VERSION GN	
S/Nº	U442133000	RACORD BICONO 4 958.030	BICONE CONNECTION 4,958.030	2	4	6	4	6	4		ELIMINADO 11.06.08	
12	U565700000	VENTURI QUEMADOR 8000	VENTURI BURNER 8000	2	4	6	4	6	4			
	R422400000	TOBERA DE Ø 1.25 B.P.	NOZZLE Ø 1.25 B.P.	2	4	6	4	6	4			
	U912401000	TOBERA DE Ø 1.95 G.N.	NOZZLE Ø 1.95 G.N.	2	4	6	4	6	4			
13	U265702000	REGULADOR AIRE	AIR CONTROLLER	2	4	6	4	6	4			
14	U915702000	CUERPO QUEMADOR 7000 Kcal/h	BURNER BODY 7000 Kcal/h	2	4	6	4	6	4			
	Q132054000	VARILLA ROSCADA M6 x 12	THREADED ROD M6 x 12	2	4	6	4	6	4			
	Q162040000	TUERCA EXAGONAL M6	HEXAGONAL NUT M6	2	4	6	4	6	4			
15	U915703000	PROTEC. PILOTO QUEMAD. 7000	BURNER PILOT GUARD 7000	2	4	6	4	6	4			
	Q012045000	TORNILLO EXAGONAL M6X30 A.304	HEXAGONAL BOLT M6X30 A.304	2	4	6	4	6	4			
	Q302022000	ARANDELA 16X6X1.2 A.304	WASHER 16X6X1.2 A.304	2	4	6	4	6	4			
16	U135702500	QUEMADOR 8000 MESA	BURNER 8000 BENCH	2	4	6	4	6	4			
	Q371026000	MANGUITO SUJEC. 4X14 DIN1481	HOSE FASTENING 4X14 ØIN1481	2	4	6	4	6	4			
	Q131511000	VARILLA ROSCADA M3x8 DIN 913	THREADED ROD M3x8 DIN 913	2	4	6	4	6	4			
17	U125720000	VENTURI QUEMADOR 4000 kcal	VENTURI BURNER 4000 kcal	-	-	-	-	-	-			
	X312400000	TOBERA DE Ø 1.10 B.P.	NOZZLE Ø 1.10 B.P.	-	-	-	-	-	-			
	U122407000	TOBERA DE Ø 1.05 B.P.	NOZZLE Ø 1.05 B.P.	-	-	-	-	-	-			
	R302400000	TOBERA DE Ø 1.65 G.N.	NOZZLE Ø 1.65 G.N.	-	-	-	-	-	-			
18	U265702000	REGULADOR AIRE	AIR CONTROLLER	-	-	-	-	-	-			
19	U915701000	CUERPO QUEMADOR 5000 Kcal/h	BURNER BODY 5000 Kcal/h	-	-	-	-	-	-			
	Q131542000	VARILLA ROSCADA M6 x 15	THREADED ROD M6 x 15	-	-	-	-	-	-			
	Q162040000	TUERCA EXAGONAL M6	HEXAGONAL NUT M6	-	-	-	-	-	-			
20	U915704000	PROTEC. PILOTO QUEMAD. 5000	BURNER PILOT GUARD 5000	-	-	-	-	-	-			
	Q012045000	TORNILLO EXAGONAL M6X30 A304	HEXAGONAL BOLT M6x30 A304	-	-	-	-	-	-			
	Q302022000	ARANDELA 16X6X1.2 A.304	WASHER 16X6X1.2 A.304	-	-	-	-	-	-			
21	U445731500	QUEMADOR 4000 (00545-010)	BURNER 4000 (00545-010)	-	-	-	-	-	-			
21	U445731000	QUEMADOR 4000 (00545-010)	BURNER 4000 (00545-010)	-	-	-	-	-	-			
	Q371026000	MANGUITO SUJEC. 4X14 DIN1481	HOSE FASTENING 4X14 ØIN1481	-	-	-	-	-	-			
	Q131511000	VARILLA ROSCADA M3x8 DIN 913	THREADED ROD M3x8 DIN 913	-	-	-	-	-	-			

N plano	C-2053
Firma	<i>[Signature]</i>
Fecha	2008-05
Aparato	COCINAS CG7- / CGE7-41
Lamina	4
Fagor Industrial S. Coop. Omate	FAGOR

CONDUCCIONES Y GRIFOS

**ITEM MARCADO EN COLOR = REPUESTO RECOMENDADO
COLOURED ITEM = RECOMMENDED SPARE PART**



MOD.		COCINAS		ZONA	CONDUCCIONES Y GRIFOS						PLANO	C-2053
ITEM	CODIGO	DENOMINACION	TEXTO	CG7-20	CG7-40	CG7-60	CG7-20 H	CG7-40 H	CG7-60 H		NOTAS	
1	U915022000	TUBO PILOTO ANTERIOR IZQDO.	LEFT FRONT PILOT PIPE	—	1	1	—	1	1		ELIMINADO 01.07.13	
1	12092653	TUBO PILOTO ANTERIOR IZQDO.	LEFT FRONT PILOT PIPE	—	1	1	—	1	1		INTRODUCIDO 01.07.13	
	U134323000	RACORD BICONO 6 958.031	BICONE CONNECTION 6 958.031	—	2	2	—	2	2			
2	U905010000	TUBO POSTERIOR G700	REAR PIPE G700	1	—	—	1	—	—			
2	U915010000	TUBO POSTERIOR IZQUIER. G700	LEFT REAR PIPE G700	—	1	1	—	1	1			
3	U905007000	TUBO PILOTO POSTERIOR	REAR PILOT PIPE	1	—	—	1	—	—			
3	U915021000	TUBO PILOTO POSTERIOR IZDO.	LEFT REAR PILOT PIPE	—	1	1	—	1	1		ELIMINADO 30.04.13	
3	12008098	TUBO PILOTO POSTERIOR CG7-20	REAR PILOT PIPE CG7-20	—	1	1	—	1	1		ELIMINADO 01.07.13	
3	12092648	TUBO PILOTO POSTERIOR CG7-20	REAR PILOT PIPE CG7-20	—	1	1	—	1	1		INTRODUCIDO 01.07.13	
	U134323000	RACORD BICONO 6 958.031	BICONE CONNECTION 6 958.031	2	2	2	2	2	2			
4	U915016000	TUBO ANTERIOR IZQUIERDO G700	LEFT FRONT PIPE G700	—	1	1	—	1	1			
5	U915025000	TUBO ANTERIOR CENTRAL G700	CENTRAL FRONT PIPE G700	—	1	1	—	1	1			
	Q306062000	ARANDELA Ø13,9X10,33x1,5	WASHER Ø13.9X10.33x1.5	—	8	8	—	8	8			
6	U905012000	TUBO ANTERIOR G700	FRONT PIPE G700	1	—	—	1	—	—		ELIMINADO 16.01.12	
6	U915019000	TUBO ANTERIOR DERECHO G700	RIGHT FRONT PIPE G700	1	—	—	1	—	—		INTRODUCIDO 16.01.12	
6	U915027000	TUBO POSTERIOR CENTRAL G700	CENTRAL REAR PIPE G700	—	1	1	—	1	1			
7	U905008000	TUBO PILOTO ANTERIOR	FRONT PILOT PIPE	1	—	—	1	—	—			
7	U915029000	TUBO PILOTO POSTER. CENTRAL	REAR PILOT PIPE CENTRAL	—	1	1	—	1	1		ELIMINADO 01.07.13	
7	12092649	TUBO PILOTO POSTER. CENTRAL	REAR PILOT PIPE CENTRAL	—	1	1	—	1	1		INTRODUCIDO 01.07.13	
	U134323000	RACORD BICONO 6 958.031	BICONE CONNECTION 6 958.031	2	2	2	2	2	2			
8	U915017000	TUBO POSTERIOR DCHO G700	RIGHT REAR PIPE G700	—	—	1	—	—	1			
	Q306062000	ARANDELA Ø13,9X10,33x1,5	WASHER Ø13.9X10.33x1.5	—	—	2	—	—	2			
9	U915009000	TUBO PILOTO ANTER. CENTRAL	FRONT PILOT PIPE CENTRAL	—	1	1	—	1	1		ELIMINADO 01.07.13	
9	12092656	TUBO PILOTO ANTER. CENTRAL	FRONT PILOT PIPE CENTRAL	—	1	1	—	1	1		INTRODUCIDO 01.07.13	
	U134323000	RACORD BICONO 6 958.031	BICONE CONNECTION 6 958.031	—	2	2	—	2	2			
10	U915023000	TUBO PILOTO POSTERIOR DCHO.	RIGHT REAR PILOT PIPE	—	—	1	—	—	1		ELIMINADO 13.12.13	
10	12098139	TUBO PILOTO POSTERIOR DCHO.	RIGHT REAR PILOT PIPE	—	—	1	—	—	1		INTRODUCIDO 13.12.13	
	U134323000	RACORD BICONO 6 958.031	BICONE CONNECTION 6 958.031	—	—	2	—	—	2			
11	U915014000	PORTATOVERAS HORNO	OVEN NOZZLE HOLDER	2	4	6	2	4	6			
	U565011000	TUERCA GUIA	GUIDE NUT	2	4	6	2	4	6		INTRODUCIDA 10.06.08	
	Q153002000	TORNILLO TAPON	CAP BOLT	2	4	6	2	4	6			

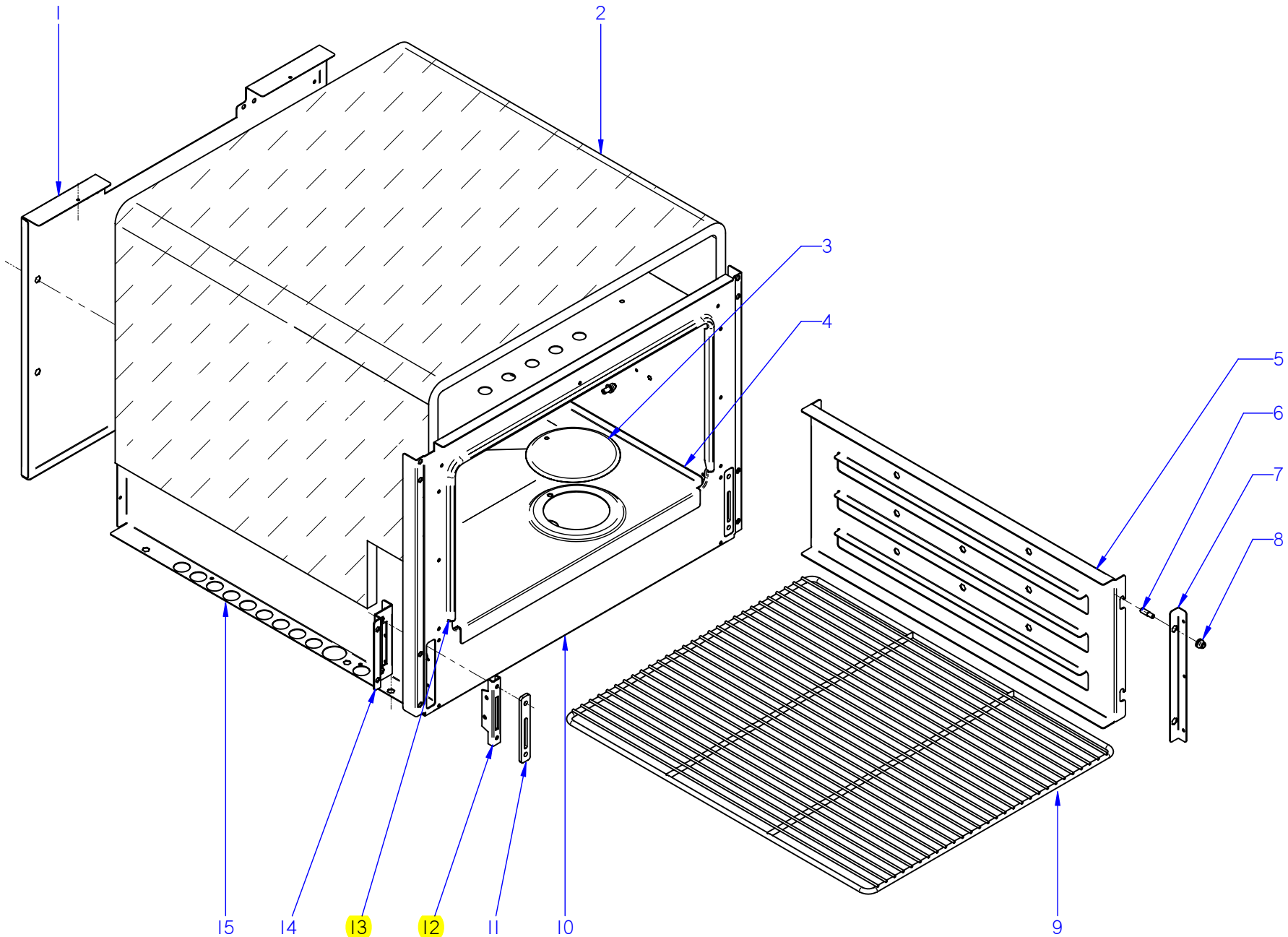
MOD.		COCINAS		ZONA		CONDUCCIONES Y GRIFOS				PLANO		C-2053	
ITEM	CODIGO	DENOMINACION	TEXTO	CG7-20	CG7-40	CG7-60	CG7-20 H	CG7-40 H	CG7-60 H			NOTAS	
12	U222130000	TERMOPAR L=600	THERMOCOUPLE L=600	2	4	6	2	4	6				
13	U915024000	TUBO PILOTO ANTERIOR DCHO	RIGHT FRONT PILOT PIPE	-	-	1	-	-	1			ELIMINADO 13.12.13	
13	12098140	TUBO PILOTO ANTERIOR DCHO	RIGHT FRONT PILOT PIPE	-	-	1	-	-	1			INTRODUCIDO 13.12.13	
	U134323000	RACORD BICONO 6 958.031	BICONE CONNECTION 6 958.031	-	-	2	-	-	2				
14	U915019000	TUBO ANTERIOR DERECHO G700	RIGHT FRONT PIPE G700	-	-	1	-	-	1				
	Q306062000	ARANDELA Ø13,9X10,33x1,5	WASHER Ø13.9X10.33x1.5	-	-	2	-	-	2				
15	U912101000	GRIFO VALVULA CPMM18700/821	VALVE TAP CPMM18700/821	2	3	4	-	-	-				
16	H122101000	BOTON DE MANDO Ø8 G700	CONTROL BUTTON Ø8 G700	2	4	6	2	4	6				
17	U742131000	TERMOPAR L=1500 M9	THERMOCOUPLE L=1500 M9	-	-	-	-	-	-				
18	U915008000	TUBO PILOTO HORNO G 700	OVEN PILOT PIPE G 700	-	-	-	-	-	-				
	U134323000	RACORD BICONO 6 958.031	BICONE CONNECTION 6 958.031	-	-	-	-	-	-				
19	U915005000	TUBO EUROSIT A HORNO COMPL	EUROSIT PIPE TO COMPL OVEN	-	-	-	-	-	-				
	Q306062000	ARANDELA Ø13,9X10,33x1,5	WASHER Ø13.9X10.33x1.5	-	-	-	-	-	-				
20	R062101000	EJE BOTON DE MANDO EUROSIT	CONTROL BUTTON SHAFT EURO	-	-	-	-	-	-				
	Q131560000	VARILLA ROSCADA M4x8 DIN913	THREADED ROD M4x8 DIN913	-	-	-	-	-	-				
21	U912105000	BOTON DE MANDO Ø 8 EUROSIT	CONTROL BUTTON Ø 8 EUROSIT	-	-	-	-	-	-				
22	T982100000	VALVULA 630 EUR 630.343	VALVE 630 EUR 630.343	-	-	-	-	-	-				
	T982102000	TAPON 3/8 972.061	CAP 3/8 972.061	-	-	-	-	-	-				
	U875017000	MANGUITO R 3/8"-R1/2"	HOSE R 3/8"-R1/2"	-	-	-	-	-	-				
	Q306058000	ARANDELA Ø23,5X17,60X1,5	WASHER Ø23.5X17.60X1.5	-	-	-	-	-	-				
23	U905013000	CONDUCCION GENERAL CG7-20	GENERAL PIPING CG7-20	1	-	-	1	-	-				
23	U905002000	CONDUCCION GENERAL CG7-40	GENERAL PIPING CG7-40	-	1	-	-	1	-				
23	U905016000	CONDUCCION GENERAL CG7-60	GENERAL PIPING CG7-60	-	-	1	-	-	1				
	U635008000	TUERCA CIEGA 3/4	BLIND NUT 3/4	1	1	1	1	1	1				
	Q152004000	TORNIL. APLASTADO M5X13 A 304	FLAT HEADED SCREW M5x13 A 304	4	4	4	4	4	4				
	Q306051000	ARANDELA TAPON Ø 23.5x3	CAP WASHER Ø 23.5x3	1	1	1	1	1	1				
24	U912104000	BRIDA AMARRE GRIFO 1/2"	TAP FASTENING FLANGE 1/2"	2	4	6	2	4	6				
	Q122032000	TORNILLO ALLEN M.5x15	ALLEN HEAD SCREW M.5x15	2	4	6	2	4	6				
25	U912109000	GRIFO 18700 BY-PASS 1,15	TAP 18700 BY-PASS 1.15	-	1	2	2	4	6				

MOD.		COCINAS		ZONA		CONDUCCIONES Y GRIFOS				PLANO		C-2053
ITEM	CODIGO	DENOMINACION	TEXTO	CG7-41	CG7-61	CGE7-41	CG7-41 H	CG7-61 H	CGE7-41 H		NOTAS	
1	U915022000	TUBO PILOTO ANTERIOR IZD G700	LEFT FRONT PILOT PIPE G700	1	1	1	1	1	1		ELIMINADO 01.07.13	
1	12092653	TUBO PILOTO ANTERIOR IZQDO.	LEFT FRONT PILOT PIPE	1	1	1	1	1	1		INTRODUCIDO 01.07.13	
	U134323000	RACORD BICONO 6 958.031	BICONE CONNECTION 6 958.031	2	2	2	2	2	2			
2	U915010000	TUBO POSTERIOR IZQUIER. G700	LEFT REAR PIPE G700	1	1	1	1	1	1			
	Q306062000	ARANDELA Ø13,9X10,33x1,5	WASHER Ø13.9X10.33x1.5	2	2	2	2	2	2			
3	U915021000	TUBO PILOTO POSTERIOR IZDO.	LEFT REAR PILOT PIPE	1	1	1	1	1	1			
	U134323000	RACORD BICONO 6 958.031	BICONE CONNECTION 6 958.031	2	2	2	2	2	2			
4	U915016000	TUBO ANTERIOR IZQUIERDO G700	LEFT FRONT PIPE G700	1	1	1	1	1	1			
	Q306062000	ARANDELA Ø13,9X10,33x1,5	WASHER Ø13.9X10.33x1.5	2	2	2	2	2	2			
5	U915025000	TUBO ANTERIOR CENTRAL G700	CENTRAL FRONT PIPE G700	1	1	1	1	1	1			
	Q306062000	ARANDELA Ø13,9X10,33x1,5	WASHER Ø13.9X10.33x1.5	2	2	2	2	2	2			
6	U915027000	TUBO POSTERIOR CENTRAL G700	CENTRAL REAR PIPE G700	1	1	1	1	1	1			
	Q306062000	ARANDELA Ø13,9X10,33x1,5	WASHER Ø13.9X10.33x1.5	2	2	2	2	2	2			
7	U915029000	TUBO PILOTO POSTER. CENTRAL	REAR PILOT PIPE CENTRAL	1	1	1	1	1	1		ELIMINADO 01.07.13	
7	12092649	TUBO PILOTO POSTER. CENTRAL	REAR PILOT PIPE CENTRAL	1	1	1	1	1	1		INTRODUCIDO 01.07.13	
	U134323000	RACORD BICONO 6 958.031	BICONE CONNECTION 6 958.031	2	2	2	2	2	2			
8	U915017000	TUBO POSTERIOR DCHO G700	RIGHT REAR PIPE G700	-	1	-	-	1	-			
	Q306062000	ARANDELA Ø13,9X10,33x1,5	WASHER Ø13.9X10.33x1.5	-	2	-	-	2	-			
9	U915009000	TUBO PILOTO ANTERIOR CENTR.	CENTRAL FRONT PILOT PIPE	1	1	1	1	1	1		ELIMINADO 01.07.13	
9	12092656	TUBO PILOTO ANTER. CENTRAL	FRONT PILOT PIPE CENTRAL		1	1		1	1		INTRODUCIDO 01.07.13	
10	U915023000	TUBO PILOTO POSTERIOR DCHO.	RIGHT REAR PILOT PIPE	-	1	-	-	1	-		ELIMINADO 13.12.13	
10	12098139	TUBO PILOTO POSTERIOR DCHO.	RIGHT REAR PILOT PIPE	-	1	-	-	1	-		INTRODUCIDO 13.12.13	
11	U915014000	PORTATOVERAS HORNO	OVEN NOZZLE HOLDER	4	6	4	4	6	4			
	U565011000	TUERCA GUIA	GUIDE NUT	4	6	4	4	6	4		INTRODUCIDA 10.06.08	
	Q153002000	TORNILLO TAPON	CAP BOLT	4	6	4	4	6	4			
12	U222130000	TERMOPAR L=600	THERMOCOUPLE L=600	4	6	4	4	6	4			
13	U915024000	TUBO PILOTO ANTERIOR DCHO	RIGHT FRONT PILOT PIPE	-	1	-	-	1	-		ELIMINADO 13.12.13	
13	12098140	TUBO PILOTO ANTERIOR DCHO	RIGHT FRONT PILOT PIPE	-	1	-	-	1	-		INTRODUCIDO 13.12.13	
14	U915019000	TUBO ANTERIOR DERECHO G700	RIGHT FRONT PIPE G700	-	1	-	-	1	-			
	Q306062000	ARANDELA Ø13,9X10,33x1,5	WASHER Ø13.9X10.33x1.5	-	2	-	-	2	-			
15	U912101000	GRIFO VALVULA CPMM18700/821	VALVE TAP CPMM18700/821	3	4	3	-	-	-			

MOD.		COCINAS		ZONA		CONDUCCIONES Y GRIFOS				PLANO		C-2053
ITEM	CODIGO	DENOMINACION	TEXTO	CG7-41	CG7-61	CGE7-41	CG7-41H	CG7-61H	CGE7-41H		NOTAS	
16	H122101000	BOTON DE MANDO Ø8 G700	CONTROL BUTTON Ø8 G700	4	6	4	4	6	4			
17	U742131000	TERMOPAR L=1500 M9	THERMOCOUPLE L=1500 M9	1	1		1	1				
18	U915008000	TUBO PILOTO HORNO G 700	OVEN PILOT PIPE G 700	1	1		1	1			ELIMINADO 01.02.12	
18	12041441	TUBO PILOTO HORNO G 700	OVEN PILOT PIPE G 700	1	1		1	1			ELIMINADO 01.07.13	
18	12092657	TUBO PILOTO HORNO G 700	OVEN PILOT PIPE G 700	1	1		1	1			INTRODUCIDO 01.07.13	
19	U915005000	TUBO EUROSIT A HORNO COMPL	EUROSIT PIPE TO COMPL OVEN	1	1		1	1			ELIMINADO 01.02.12	
19	12041438	TUBO EUROSIT A HORNO COMPL	EUROSIT PIPE TO COMPL OVEN	1	1		1	1			INTRODUCIDO 01.02.12	
	Q306062000	ARANDELA Ø13,9X10,33x1,5	WASHER Ø13.9X10.33x1.5	2	2		2	2				
20	R062101000	EJE BOTON DE MANDO EUROSIT	CONTROL BUTTON SHAFT EUR.	1	1		1	1			ELIMINADO 01.10.10	
20	R062102000	EJE BOTON MANDO EUROSIT META	CONT. BUTTON SHAFT EUR.MET.	1	1		1	1			ELIMINADO 01.02.12	
20	12041835	EJE LARGO ELECTROVALVULA	LONG SOLENOID SHAFT	1	1		1	1			INTRODUCIDO 01.02.12	
	Q131560000	VARILLA ROSCADA M4x8 DIN913	THREADED ROD M4x8 DIN913	1	1		1	1				
21	U912105000	BOTON DE MANDO Ø 8 EUROSIT	CONTROL BUTTON Ø 8 EUROSIT	1	1		1	1				
22	T982100000	VALVULA 630 EUR 630.343	VALVE 630 EUR 630.343	1	1		1	1			ELIMINADO 01.10.10	
22	R152102000	VALVULA 630 EUR 630.345	VALVE 630 EUR 630.345	1	1		1	1			INTRODUCIDO 01.10.10	
	T982102000	TAPON 3/8 972.061	CAP 3/8 972.061	2	2		2	2				
	U875017000	MANGUITO R 3/8"-R1/2"	HOSE R 3/8"-R1/2"	2	2		2	2				
	Q306058000	ARANDELA Ø23,5X17,60X1,5	WASHER Ø23.5X17.60X1.5	2	2		2	2				
23	U915040000	CONDUCCION GRAL COMP CG7-41	GENER. PIPING CG7-41	1			1				ELIMINADO 01.02.12	
23	12041792	CONDUCCION COMPL. CG 7-41	FULL PIPING CG 7-41	1			1				INTRODUCIDO 01.02.12	
23	U915002000	COND GRAL COMP CG-CGB7-61	GENER. PIPING CG-CGB7-61		1			1			ELIMINADO 01.02.12	
23	12041795	CONDUCCION COMPL. CG 7-61	FULL PIPING CG 7-61		1			1			INTRODUCIDO 01.02.12	
23	U955001000	COND GRAL COMP CGE7-41	GENER. PIPING CGE7-41			1			1			
	Q221321000	REMACHE ROSCAD. NUTSERT M6	THREADED RIVET NUTSERT M6	2	2	2	2	2	2			
	Q221342000	REMACHE EXAGONAL M5	HEXAGONAL RIVET M5	2	2	2	2	2	2			
	Q152004000	TORNIL. APLASTADO M5X13 A 304	FLAT HEADED SCREW M5x13 A 304	2	2	2	2	2	2			
	Q012043000	TORNILLO EXAGONAL M6X20 A304	HEXAGONAL BOLT M6x20 A304	1	1	1	1	1	1			
	Q302022000	ARANDELA Ø16X6X1.2 A.304	WASHER 16X6X1.2 A.304	1	1	1	1	1	1			
24	U912104000	BRIDA AMARRE GRIFO 1/2"	TAP FASTENING FLANGE 1/2"	4	6	4	4	6	4			
	Q122032000	TORNILLO ALLEN M.5x15	ALLEN HEAD SCREW M.5x15	4	6	4	4	6	4			
25	U912109000	GRIFO 18700 BY-PASS 1,15	TAP 18700 BY-PASS 1.15	1	2	1	4	6	4			

N plano	C-2054
Firma	
Fecha	2008-05
Aparato	COCINAS CG7-41; CG7-61
HORNO	
Lamina	6
Fagor Industrial S. Coop. Onda	

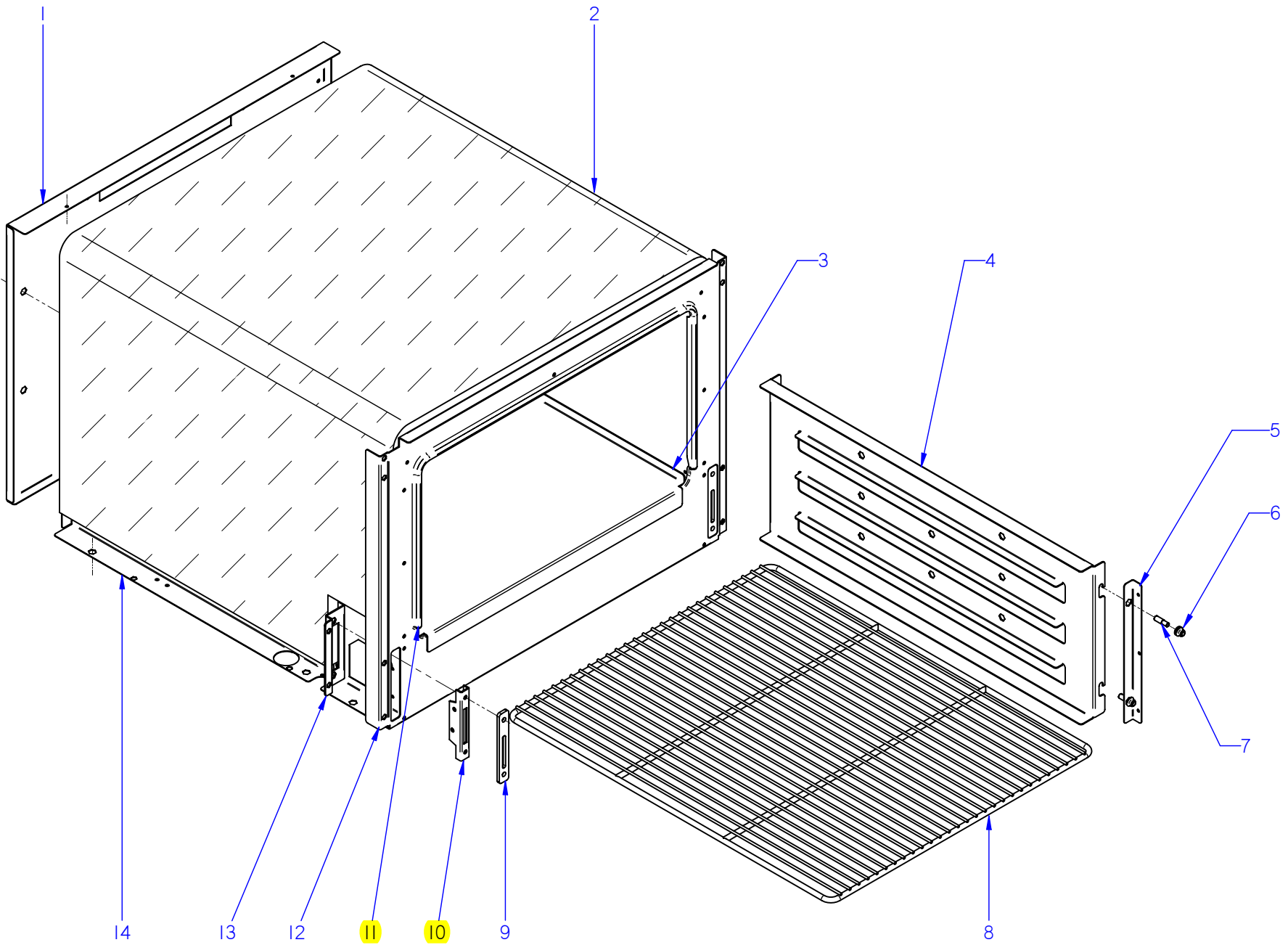
ITEM MARCADO EN COLOR = REPUESTO RECOMENDADO
 COLOURED ITEM = RECOMMENDED SPARE PART



MOD.		COCINAS		ZONA	HORNO					PLANO	C-2054
ITEM	CODIGO	DENOMINACION	TEXTO	CG7-41	CG7-61						NOTAS
1	U915603000	POSTERIOR DE HORNO G700	OVEN REAR G700	1	1						
	Q412000000	REMACHE TUBULAR 4 x 8	TUBULAR RIVET 4 x 8	12	12						
2	U325621000	AISLANTE 1455x670x20-AL1C	INSULATION 1455x670x20-AL1C	1	1						
3	U915618000	TAPILLA DE SOLERA G 700	BASE COVER G 700	1	1						
	Q101534000	TORNILLO EXAGON. M5x25 DIN931	HEXAGONAL BOLT. M5x25 DIN931	1	1						
4	U915617000	SOLERA DE HORNO G 700	OVEN BASE G 700	1	1						
	Q221342000	REMACHE EXAGONAL M5	HEXAGONAL RIVET M5	1	1						
5	U915607000	GUIA LATERAL HORNO G700	OVEN SIDE GUIDE G700	2	2						
6	Q151336000	TORNILLO SOPORTE GUIAS	GUIDE SUPPORT BOLT	4	4						
	Q302022000	ARANDELA 16X6X1.2 A.304	WASHER 16X6X1.2 A.304	4	4						
7	U915616000	SUPLEM. AMARRE GUIA LATERAL	SUPP. FASTENING SIDE GUIDE	2	2						
8	Q221343000	REMACHE EXAGONAL M6	HEXAGONAL RIVET M6	4	4						
9	U135642000	PARRILLA DE HORNO	OVEN TRAY	1	1						
10	U915601000	MARCO DE HORNO G700	OVEN FRAME G700	1	1						ELIMINADO 03.01.11
10	U965614000	MARCO DE HORNO G900 Y G700	OVEN FRAME G900 Y G700	1	1						INTRODUCIDO 03.01.11
	Q221304000	REMACHE ROSCA NUTSERT M5	THREADED RIVET NUTSERT M5	2	2						
11	U915619000	EMBELLECEDOR GUIA BISAGRA	HINGE GUIDE TRIM	2	2						
	Q152045000	TORNILLO AMARRRE M6X25	FASTENING BOLT M6X25	4	4						
12	U010512000	GUIA BISAGRA HORNO	OVEN HINGE GUIDE	2	2						ELIMINADO 11.12.11
12	12041846	GUIA BISAGRA G700 Y G900	G700 / G900 HINGE GUIDE	2	2						INTRODUCIDO 11.12.11
13	U025623000	JUNTA PUERTA HORNO INOX.	OVEN DOOR SEAL INOX.	1	1						ELIMINADO 03.01.11
13	U965613000	JUNTA HORNO FIBRA DE VIDRIO	FURNACE FIBERGLASS BOARD	1	1						INTRODUCIDO 03.01.11
14	U915604000	AMARRE GUIA BISAGRA HORNO	OVEN HINGE GUIDE FASTENING	2	2						
	Q412000000	REMACHE TUBULAR 4 x 8	TUBULAR RIVET 4 x 8	6	6						
	Q222042000	REMACHE EXAGONAL ROSCA M6	HEXAGONAL RIVET THREAD M6	4	4						
15	U915602000	CUERPO DE HORNO G700	OVEN BODY G700	1	1						ELIMINADO 03.01.11
15	U965615000	CUERPO DE HORNO AD	OVEN BODY AD	1	1						INTRODUCIDO 03.01.11
	Q221321000	REMACHE ROSCAD.NUTSERT.M6	THREADED RIVET .NUTSERT.M6	1	1						
	Q412000000	REMACHE TUBULAR 4 x 8	TUBULAR RIVET 4 x 8	8	8						

N plano	Firma	Fecha	Aparato	HORNO	Lamina	Fagor Industrial S. Coop. FAGOR Ondate
C-2055		2008-05	COCINA CGE7-41		7	

ITEM MARCADO EN COLOR = REPUESTO RECOMENDADO
COLOURED ITEM = RECOMMENDED SPARE PART



N plano
C-2056

Firma
(Signature)

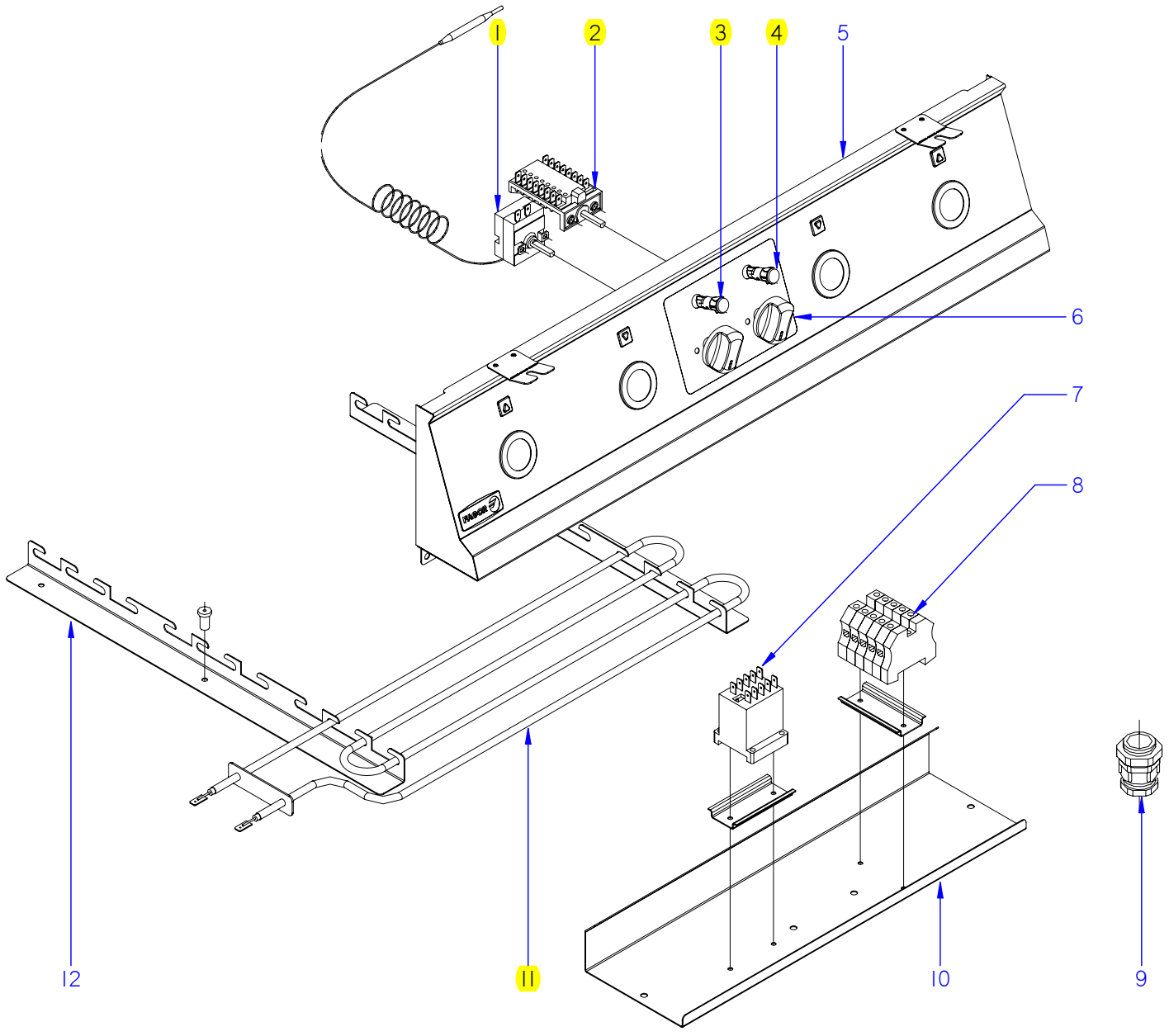
Fecha
2008-05

Aparato
PARTE FUNCIONAL ELECTRICA
COCINA CGE7-41

Lamina
8

Fagor Industrial S. Coop.
Omate
FAGOR

ITEM MARCADO EN COLOR = REPUESTO RECOMENDADO
COLOURED ITEM = RECOMMENDED SPARE PART



MOD.		COCINAS		ZONA	PARTE FUNCIONAL ELECTRICA					PLANO	C-2056
ITEM	CODIGO	DENOMINACION	TEXTO	CGE7-41							NOTAS
1	X153000000	TERMOSTATO 50-310 C	THERMOSTAT 50-310 C	1							
	Q151320000	TOR. ALOMADO M4X6 H.ZINCADO	CURVED SCREW M4X6 H. ZINC	2							
2	U673006000	CONMUTADOR	SWITCH	1							
	Q151320000	TOR. ALOMADO M4X6 H.ZINCADO	CURVED SCREW M4X6 H. ZINC	2							
3	R693056000	PILOTO AMBAR 41227000A4	AMBER PILOT 41227000A4	1							ELIMINADO 01.02.13
3	12024669	PILOTO AMBAR Ø18	AMBER PILOT Ø18	1							INTRODUCIDO 01.02.13
4	R693055000	PILOTO VERDE 41227000C7	GREEN PILOT 41227000C7	1							ELIMINADO 01.02.13
4	12047390	PILOTO VERDE 230V AC 8KW 16MM	GREEN PILOT 230V AC 8KW 16M	1							INTRODUCIDO 01.02.13
5	U952810000	PORTAMANDOS COMPL CGE-741	COMPL CONTROL HOLDER CGE	1							
6	U952103000	BOTON DE MANDO	CONTROL BUTTON	2							
7	Z213007000	CONTACTOR 230 V. 50-60 HZ	CONTACTOR 230 V. 50-60 HZ	1							
	Z123018000	GUIA CONTACTOR L-55 "	CONTACTOR GUIDE L-55 "	1							
8	P453025000	BORNES 10 WDU-10203.O	TERMINALS 10 WDU-10203.O	3							
	P453026000	BORNE TIER 10 WPE-10103.O	TERMINAL TIER 10 WPE-10103.O	1							
	Z263302000	BORNA NEUTRO AZUL 57A 1 VIA UI	BLUE NEUTRAL TERMINAL 57A	1							INTRODUCIDO 21.10.11
	U803009000	BORNA AZUL PASO 16MM	BLUE TAP TERMINAL 16MM	1							
	Z263303000	TOPE FINAL	END STOP	1							
	Z683068000	SEÑALIZ.DEK-6WEIDMULLER	SIGNS DEK-6WEIDMULLER	1							
	Z103083000	GUIA CONTACTOR L-73 "	CONTACTOR GUIDE L-73 "	1							
9	R023013000	PRENSA ESTOPAS PG-21	STUFFING BOX PG-21	1							
10	U953001000	CHAPA AMAR CONTACT. HORNO	CONTACT. FASTEN. PLATE OVEN	1							
	Q152004000	TORNIL. APLASTADO M5X13 A 304	FLAT HEADED SCREW M5x13 A 3	3							
11	U803004000	RESISTENCIA 1000W-230V	RESISTOR 1000W -230V	6							
12	U805613000	ESCUADRA SOPO. RESISTENCIAS	SUPP. BRACKET RESISTORS	4							
	Q419005000	REMACHE 4X8 ALMG3 / ALUMINIO	RIVET 4X8 ALMG3 / ALUMINIUM	12							

MOD.	COCINAS	ZONA	VARIOS	PLANO
------	----------------	------	---------------	-------

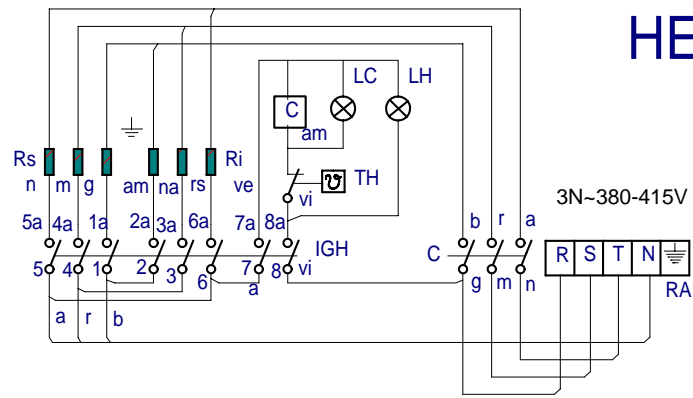
ITEM	CODIGO	DENOMINACION	TEXTO	CG7-20	CG7-40	CG7-60	CG7-41	CG7-61	CGE7-41	NOTAS
	U746511000	FOLLETO INSTRUCCIONES CG700	INSTRUCTION LEAFLET CG700	1	1	1	1	1	1	ELIMINADO 17.12.08
	U916501000	FOLLETO INSTRUCCIONES CG700	INSTRUCTION LEAFLET CG700	1	1	1	1	1	1	INTRODUCIDO 17.12.08

MOD.	COCINAS	ZONA	VARIOS	PLANO	
-------------	---------	-------------	--------	--------------	--

ITEM	CODIGO	DENOMINACION	TEXTOS	CGE7-41								NOTAS
	U673054000	ESQUEMA TEORICO ADHESIVO	THEOR. DIAGRAM LABEL	1								HC-76539
	U803007000	CABLEADO HORNO CE-741	OVEN WIRING CE-741	1								
	U673009000	CABLEADO BORNAS A CONMUT.	TERMINAL WIRING TO SWITCH	1								

MOD.		COCINAS		ZONA	REPUESTOS RECOMENDADOS RECOMMENDED SPARE PART						PLANO
ITEM	CODIGO	DENOMINACION	TEXTO	CG7-20	CG7-40	CG7-60	CG7-41	CG7-61	CGE7-41	NOTAS	
17	U020528000	BISAGRA CIERRE HORNO	OVEN LOCK HINGE				2	2	2	C-2051	
19	U010512000	GUIA BISAGRA HORNO	OVEN HINGE GUIDE				2	2	2	C-2051	
3	U322118000	PILOTO COMPLETO 100.062	COMPLETE PILOT LIGHT 100.062				1	1		C-2052	
	U442137000	INYECTOR Ø 0.4 GN	INJECTOR Ø 0.4 GN.				1	1		C-2052	
11	11U9121210	PILOTO COMPLETO	COMPLETE PILOT LIGHT	2	4	6	4	6	4	C-2052	
S/Nº	X012126000	CUERPO SIN RACORD 901.210	BODY WITHOUT CONNECTION 9	2	4	6	4	6	4	C-2052	
S/Nº	U442137000	INYECTOR Ø 0.4 GN	INJECTOR Ø 0.4 GN.	2	4	6	4	6	4	C-2052	
S/Nº	U912107000	CABEZA PILOTO 1 LLAMA (G 700)	PILOT HEAD 1 FLAME (G 700)	2	4	6	4	6	4	C-2052	
S/Nº	U442130000	AMARRE TRASERO PI 978.009	REAR FASTEN. PI 978.009	2	4	6	4	6	4	C-2052	
S/Nº	X012122000	REGULADOR AIRE 912.001	AIR CONTROL 912.001	2	4	6	4	6	4	C-2052	
S/Nº	U442131000	AMARRE DELANTERO PI 978.021	FRONT FASTENING PI 978.021	2	4	6	4	6	4	C-2052	
12	U222130000	TERMOPAR L=600	THERMOCOUPLE L=600	2	4	6	2	4	6	C-2053	
15	U912101000	GRIFO VALVULA CPMM18700/821	VALVE TAP CPMM18700/821	2	3	4	3	4	3	C-2053	
17	U742131000	TERMOPAR L=1500 M9	THERMOCOUPLE L=1500 M9				1	1		C-2053	
20	12041835	EJE LARGO ELECTROVALVULA	LONG SOLENOID SHAFT				1	1		C-2053	
22	R152102000	VALVULA 630 EUR 630.345	VALVE 630 EUR 630.345				1	1		C-2053	
	T982102000	TAPON 3/8 972.061	CAP 3/8 972.061				2	2		C-2053	
	U875017000	MANGUITO R 3/8"-R1/2"	HOSE R 3/8"-R1/2"				2	2		C-2053	
	Q306058000	ARANDELA Ø23,5X17,60X1,5	WASHER Ø23.5X17.60X1.5				2	2		C-2053	
25	U912109000	GRIFO 18700 BY-PASS 1,15	TAP 18700 BY-PASS 1.15		1	2	1	2	1	C-2053	
12	12041846	GUIA BISAGRA G700 Y G900	G700 / G900 HINGE GUIDE				2	2		C-2054	
13	U965613000	JUNTA HORNO FIBRA DE VIDRIO	FURNACE FIBERGLASS BOARD				1	1		C-2054	
10	12041846	GUIA BISAGRA G700 Y G900	G700 / G900 HINGE GUIDE						2	C-2055	
11	U965613000	JUNTA HORNO FIBRA DE VIDRIO	FURNACE FIBERGLASS BOARD						1	C-2055	
1	X153000000	TERMOSTATO 50-310 C	THERMOSTAT 50-310 C						1	C-2056	
2	U673006000	CONMUTADOR	SWITCH						1	C-2056	
3	12024669	PILOTO AMBAR Ø18	AMBER PILOT Ø18						1	C-2056	
4	12047390	PILOTO VERDE 230V AC 8KW 16MM	GREEN PILOT 230V AC 8KW 16MM						1	C-2056	
11	U803004000	RESISTENCIA 1000W-230V	RESISTOR 1000W -230V						6	C-2056	

HE9-10,CGE9-41,CGE7-41,CGE6-41



RA:Regleta de Alimentacion

IGH :Conmutador General Horno

C: Contactor

LC : Lampara Calentamiento Horno

LH: Lampara Horno Encendido

TH : Termostato de Horno

Rs : Resistencia Horno Superior

Ri : Resistencia Horno Inferior

r = rojo-red-rouge

m = marron-brown-marron

g = gris-grey-gris

n = negro-black-noir

a = azul-blue-bleu

b = blanco-white-blanc

vi = violeta-violette-violet

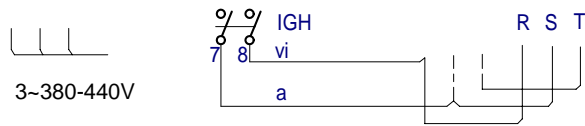
am = amarillo-yellow-jaune

na = naranja-orange-orange

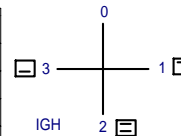
rs = rosa-rose-pink

ve = verde-green-vert

am/ve = amarillo/verde-yellow/green-jaune/vert



	1-1a	2-2a	3-3a	4-4a	5-5a	6-6a	7-7a	8-8a
0								
1	X			X	X		X	X
2	X	X	X	X	X	X	X	X
3	X	X			X	X	X	X



U673054

Esquema teorico adhesivo				U-673054000	
Nº	Pieza	Cant.	Material	Nº Clasificacion	Acabado
Nº	Modificacion	Propuesta de		Fecha	Tolerancias generales
				<5±	50-100± :
				5-25± :	> 100±
				25-50± :	<X±
Dibujado	Firma	Fecha			Mecanizado superficial
Proyectado	M.maillio	01-11-2002			
Comprobado	<i>de g</i>				Fagor Industrial,Koop.Elk, Mugatua
Escala	1/1				Plano numero HC-76539
Plano hau ez daiteke erabil ez berrizta gure baimeniz gabe					Sustituye al N° Sustituido por