

**Cocinas a Gas
Gas ranges
Fourneaux à gaz
Gas-herde
Cucine a gas
Fogão a gás**

GAMA 900

Modelos:

CG9-20 AD

CG9-40 AD

CG9-60 AD

CG9-41 AD

CG9-61 AD

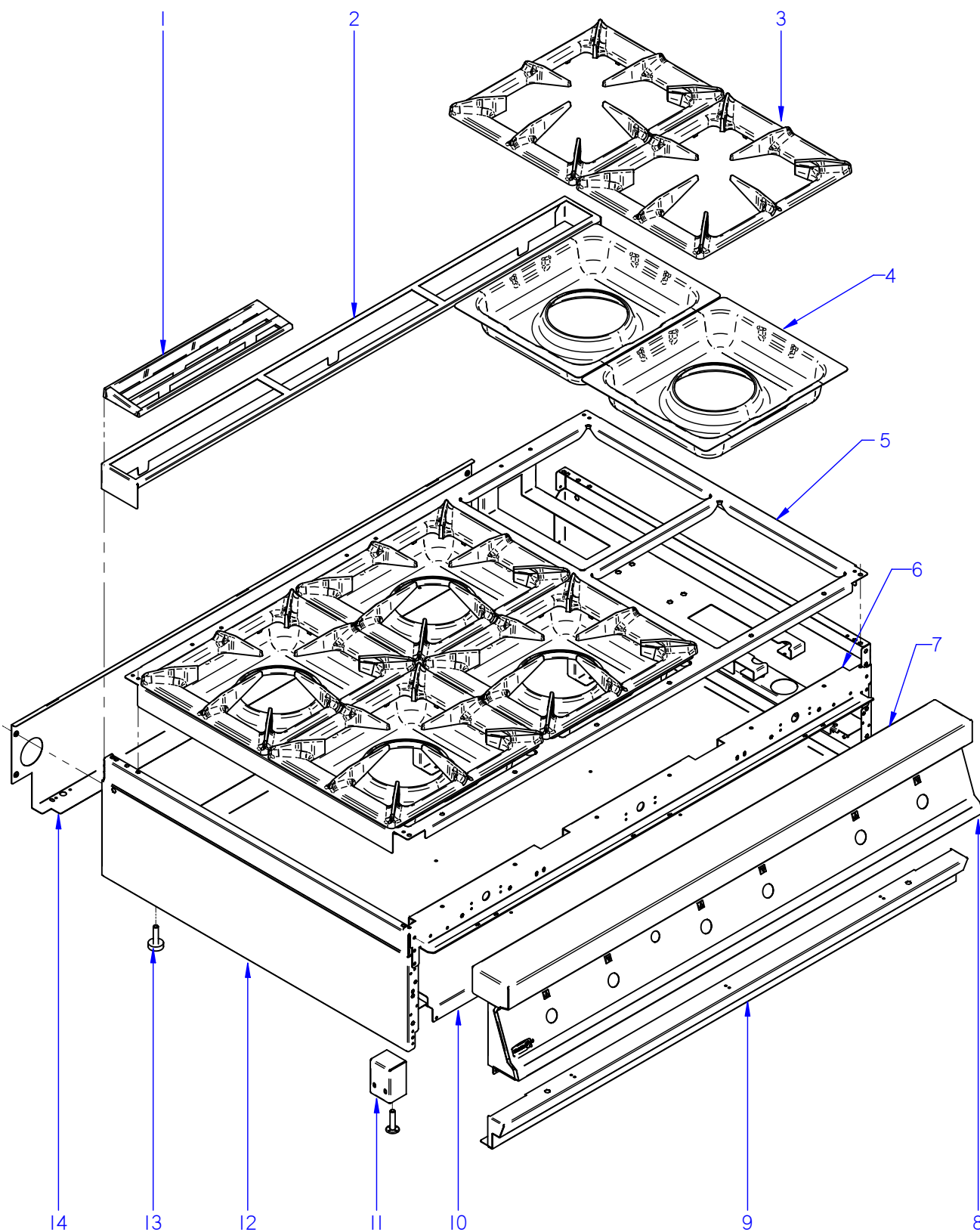
CG9-82 AD

CGE9-41 AD

Octubre 2011 October

FAGOR 

FAGOR INDUSTRIAL

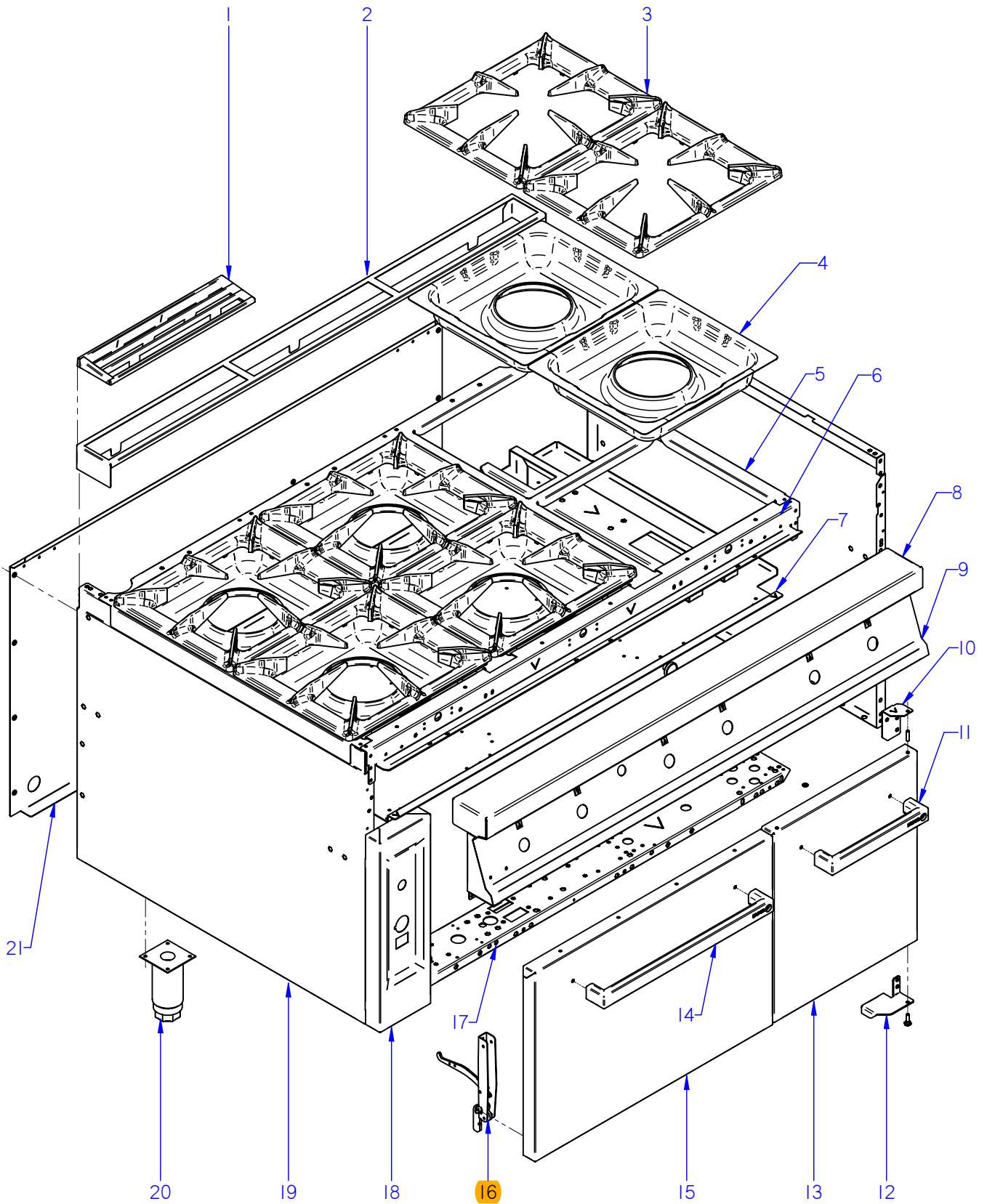


ITEM MARCADO EN COLOR = REPUESTO RECOMENDADO
 COLOURED ITEM = RECOMMENDED SPARE PART

Nº plano / N° plane	Firma	Fecha / Date	Denominación / Denomination:	MUEBLE / FITTING	Lamina / Sheet	Fagor Industrial S.Coop. FAGOR
C-2860	<i>rene benito</i>	2011-09	CG9-20 AD/40 AD/60 AD /CGE9-41 AD	1		Onate

MOD.	COCINAS / RANGES		ZONA / ZONE	MUEBLE / FITTING							PLANO DIAGRAM	C-2860		
ITEM	CODIGO REFERENCE	DENOMINACION	DENOMINATION	CG9-20 AD	CG9-40 AD	CG9-60 AD						ELIMINADO ELIMINATED	INTRODUCID. INTRODUCED	NOTAS
1	R205425000	EMBELLECEDOR ESMALTE	ENAMEL TRIM	1	2	3								
2	R205438000	SOPORTE EMBELLECEDOR 0,5 M	TRIM SUPPORT 0.5 M	1	-	-								
2	R205439000	SOPORTE EMBELLECEDOR 1 M	TRIM SUPPORT 1 M	-	1	-								
2	R205440000	SOPORTE EMBELLECEDOR 1,5 M	TRIM SUPPORT 1.5 M	-	-	1								
3	U035409000	PARRILLA GAMA 900	GRILL 900 RANGE	2	4	6								
4	U025473000	BACINETA QUEMADOR G900	BASIN BURNER G900	2	4	6								
5	U025474000	MESA 0,5 M G900	BENCH 0.5 M G900	1	-	-								
5	U025472000	MESA 1 M G900	BENCH 1 M G900	-	1	-								
5	U025475000	MESA 1,5 M G900	BENCH 1.5 M G900	-	-	1								
	Q152004000	TORNIL, APLASTADO M5x13 A304	FLAT HEADED BOLT M5x13 A304	8	10	12								
	Q221342000	REMACHE EXAGONAL M5	HEXAGONAL RIVET M5	2	4	6								
6	R042611000	ESCUA INTER AMAR ANTE 0,5 M	BRACKET INTER FASTE. FRONT	1	-	-								
6	U042610000	ESCUA INTER AMAR ANTE 1 M	BRACKET INTER FASTE. FRONT	-	1	-								
6	U962607000	ESCUA INTER AMAR ANTE 1,5 M	BRACKET INTER FASTE. FRONT	-	-	1								
	Q221342000	REMACHE EXAGONAL M5	HEXAGONAL RIVET M5	4	4	6								
	Q012032000	TORNILLO EXAGONAL M5x15	HEXAGONAL BOLT M5x15	6	6	6								
	Q152004000	TORNIL, APLASTADO M5x13 A304	FLAT HEADED BOLT M5x13 A304	4	6	9								
	Q302022000	ARANDELA 16x6x1,2 A304	WASHER 16x6x1.2 A304	4	6	9								
7	U965415000	ANTERIOR MESA 0,5 M AD	BENCH FRONT 0.5 M AD	1	-	-								
7	S105403000	ANTERIOR MESA 1 M AD	BENCH FRONT 1 M AD	-	1	-								
7	U965402000	ANTERIOR MESA 1,5 M AD	BENCH FRONT 1.5 M AD	-	-	1								
8	U042802000	PORTAMANDOS COM. CG9-20 AD	CONTROL HOLDER CG9-20 AD	1	-	-								
8	U962805000	PORTAMANDOS COM. CG9-40 AD	CONTROL HOLDER CG9-40 AD	-	1	-								
8	U962807000	PORTAMANDOS COM. CG9-60 AD	CONTROL HOLDER CG9-60 AD	-	-	1								
	U022836000	ESCUDO FAGOR	FAGOR EMBLEM	1	1	1								
	Q221023000	CLIP SUJECIÓN RÁPIDA Ø5	RAPID CONNECT CLIP Ø5	2	2	2								
9	R062805000	ZOCALO 0,5 M	SKIRTING 0.5 M	1	-	-								
9	H352817000	ZOCALO BAÑO MARIA	BAIN MARIE SKIRTING	-	1	-								
9	U032809000	ZOCALO 1,5 M	SKIRTING 1.5 M	-	-	1								
	Q419005000	REMACHE 4x8 ALMG3 / ALUMINIO	RIVET 4X8 ALMG3 / ALUMINIUM	2	2	2								

ITEM	CODIGO REFERENCE	DENOMINACION	DENOMINATION	MUEBLE / FITTING			PLANO DIAGRAM		NOTAS
				CG9-20 AD	CG9-40 AD	CG9-60 AD	ELIMINADO ELIMINATED	INTRODUCID. INTRODUCED	
MOD.	COCINAS / RANGES	ZONA / ZONE	MUEBLE / FITTING					C-2860	
10	U962646000	BASE CG9-20 AD	BASE CG9-20 AD	1	-	-			
10	U962623000	BASE CG9-40 AD	BASE CG9-40 AD	-	1	-			
10	U962639000	BASE CG9-60 AD	BASE CG9-60 AD	-	-	1			
	Q412000000	REMACHE TUBULAR 4X8	TUBULAR RIVET 4X8	5	12	19			
11	U962627000	ESCUADRA AMARRE PATA AD	LEG FASTENING BRACKET AD	2	2	2			
	Q162030000	TUERCA EXAGONAL M5	HEXAGONAL NUT M5	4	4	4			
	Q302022000	ARANDELA 16x6x1,2 A304	WASHER 16x6x1.2 A304	4	4	4			
	Q221345000	REMACHE EXAGONAL M10	HEXAGONAL RIVET M10	2	2	2			
12	R062811000	PANEL LATERAL IZQUIERDO G900	LEFT SIDE PANEL G900	1	1	1			
S/Nº	R062810000	PANEL LATERAL DERECHO G900	RIGHT SIDE PANEL G900	1	1	1			
	Q221342000	REMACHE EXAGONAL M5	HEXAGONAL RIVET M5	2	6	6			
	Q221343000	REMACHE EXAGONAL M6	HEXAGONAL RIVET M6	4	10	10			
13	Z200107000	PATA	LEG	4	4	4			
	Q221345000	REMACHE EXAGONAL M10	HEXAGONAL RIVET M10	4	4	4			
S/Nº	X010503000	CIERRE MUELLE	LOCK SPRING	3	4	6			
	Q419007000	REMACHE TUBULAR C/V Ø2x6	TUBULAR RIVET C/V Ø2x6	6	8	12			
14	R042838000	PANEL POSTERIOR 0,5 M	REAR PANEL 0.5 M	1	-	-			
14	U042805000	PANEL POSTERIOR 1 M	REAR PANEL 1 M	-	1	-			
14	U962644000	PANEL POSTERIOR 1,5 M	REAR PANEL 1.5 M	-	-	1			
	Q412000000	REMACHE TUBULAR 4X8	TUBULAR RIVET 4X8	4	4	4			
	Q302022000	ARANDELA 16x6x1,2 A304	WASHER 16x6x1.2 A304	4	4	4			



ITEM MARCADO EN COLOR = REPUESTO RECOMENDADO
 COLOURED ITEM = RECOMMENDED SPARE PART

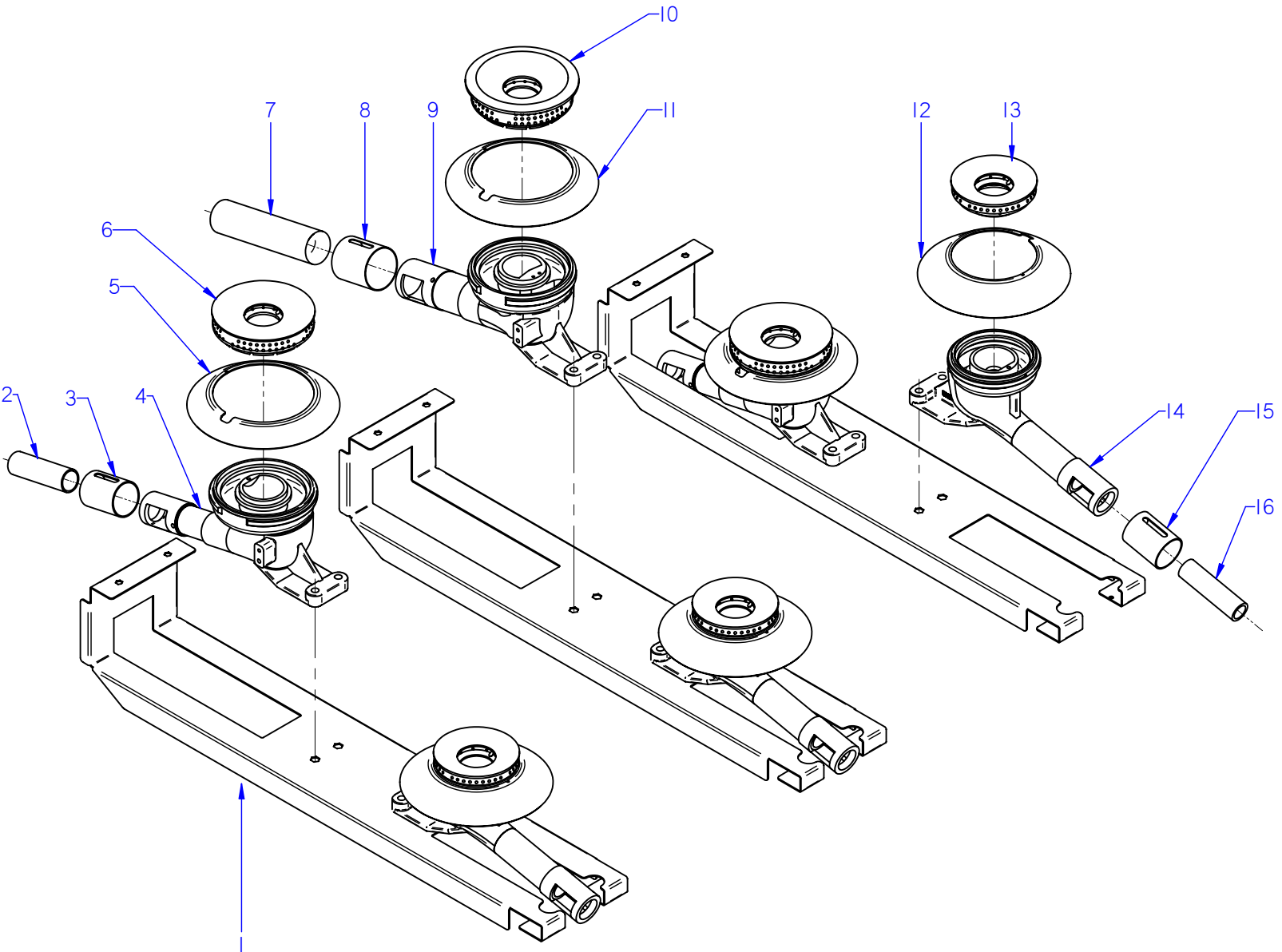
Nº plano / N° plane	Firma	Fecha / Date	Denominación / Denomination:	MUEBLE / FITTING	Lamina / Sheet	Fagor Industrial S.Coop. FAGOR
C-2861	<i>[Signature]</i>	2011-09	COCINAS CG9-41 AD/ 61 AD/ 82 AD		2	Oñate

MOD.		COCINAS / RANGES	ZONA / ZONE	MUEBLE / FITTING				PLANO DIAGRAM		C-2861			
ITEM	CODIGO REFERENCE	DENOMINACION	DENOMINATION	CG9-41 AD	CG9-61 AD	CG9-82 AD	CGE9-41 AD				ELIMINADO ELIMINATED	INTRODUCID. INTRODUCED	NOTAS
1	R205425000	EMBELLECEDOR ESMALTE	ENAMEL TRIM	2	3	4	2						
2	R205439000	SOPORTE EMBELLECEDOR 1 M	TRIM SUPPORT 1 M	1	-	2	1						
2	R205440000	SOPORTE EMBELLECEDOR 1,5 M	TRIM SUPPORT 1.5 M	-	1	-	-						
3	U035409000	PARRILLA GAMA 900	GRILL 900 RANGE	4	6	8	4						
4	U025473000	BACINETA QUEMADOR G900	BASIN BURNER G900	4	6	8	4						
5	U025472000	MESA 1 M G900	BENCH 1 M G900	1	-	2	1						
5	U025475000	MESA 1,5 M G900	BENCH 1.5 M G900	-	1	-	-						
	Q152004000	TORNIL, APLASTADO M5x13 A304	FLAT HEADED BOLT M5x13 A304	10	12	20	10						
	Q221342000	REMACHE EXAGONAL M5	HEXAGONAL RIVET M5	4	6	8	4						
6	U042610000	ESCUA INTER AMAR ANTE 1 M	BRACKET INTER FASTE. FRONT	1	-	2	1						
6	U962607000	ESCUA INTER AMAR ANTE 1,5 M	BRACKET INTER FASTE. FRONT	-	1	-	-						
	Q221342000	REMACHE EXAGONAL M5	HEXAGONAL RIVET M5	4	6	8	4						
	Q012032000	TORNILLO EXAGONAL M5x15	HEXAGONAL BOLT M5x15	4	6	8	4						
	Q152004000	TORNIL, APLASTADO M5x13 A304	FLAT HEADED BOLT M5x13 A304	6	6	12	6						
	Q302022000	ARANDELA 16x6x1,2 A304	WASHER 16x6x1.2 A304	6	6	12	6						
7	U962657000	BASE BANDEJAS 1 M AD	TRAY BASE 1 M AD	1	-	2	1						
7	U962604000	BASE BANDEJAS 1,5 M	TRAY BASE 1.5 M	-	1	-	-						
	Q419005000	REMACHE 4x8 ALMG3 / ALUMINIO	RIVET 4X8 ALMG3 / ALUMINIUM	2	2	4	2						
	Q152004000	TORNIL, APLASTADO M5x13 A304	FLAT HEADED BOLT M5x13 A304	3	3	6	3						
8	S105403000	ANTERIOR MESA 1 M AD	BENCH FRONT 1 M AD	1	-	-	1						
8	U965402000	ANTERIOR MESA 1,5 M AD	BENCH FRONT 1.5 M AD	-	1	-	-						
8	U965420000	ANTERIOR MESA 2 M AD	BENCH FRONT 2 M AD	-	-	1	-						
	Q152004000	TORNIL, APLASTADO M5x13 A304	FLAT HEADED BOLT M5x13 A304	2	3	4	2						
	Q302022000	ARANDELA 16x6x1,2 A304	WASHER 16x6x1.2 A304	2	3	4	2						
9	U962830000	PORTAMANDOS COM. CG9-41 AD	CONTROL HOLDER CG9-41 AD	1	-	-	1						
9	U962802000	PORTAMANDOS COM. CG9-61 AD	CONTROL HOLDER CG9-61 AD	-	1	-	-						
9	U962821000	PORTAMANDOS COM. CG9-82 AD	CONTROL HOLDER CG9-82 AD	-	-	1	-						
	U022836000	ESCUDO FAGOR	FAGOR EMBLEM	1	1	1	1						
	Q221023000	CLIP SUJECIÓN RÁPIDA Ø5	RAPID CONNECT CLIP Ø5	2	2	2	2						
	Q152004000	TORNIL, APLASTADO M5x13 A304	FLAT HEADED BOLT M5x13	4	2	8	4						

MOD.	COCINAS / RANGES		ZONA / ZONE	MUEBLE / FITTING				PLANO DIAGRAM	C-2861			
ITEM	CODIGO REFERENCE	DENOMINACION	DENOMINATION	CG9-41 AD	CG9-61 AD	CG9-82 AD	CGE9-41 AD			ELIMINADO ELIMINATED	INTRODUCID. INTRODUCED	NOTAS
10	U962613000	BISAGRA SUPERIOR DERECHA	UPPER RIGHT HINGE	-	1	-	-					
	Q221342000	REMACHE EXAGONAL M5	HEXAGONAL RIVET M5	-	2	-	-					
11	Z710558000	ASA CAPOTA AD	AD HOOD HANDLE	-	1	-	-					
	Q162040000	TUERCA EXAGONAL M6	HEXAGONAL NUT M6	-	2	-	-					
	Q302022000	ARANDELA 16x6x1,2 A304	WASHER 16x6x1.2 A304	-	2	-	-					
12	U020511000	BISAGRA DERECHA INFERIOR	LOWER RIGHT HINGE	-	1	-	-					
	Q232040000	ARANDELA A6	WASHER A6	-	1	-	-					
	X960504000	TORNILLO DE GIRO M8	ROTATION BOLT M8	-	1	-	-					
	Q012042000	TORNILLO EXAGONAL M6x15 A304	HEXAGONAL BOLT M6x15 A304	-	2	-	-					
	Q302022000	ARANDELA 16x6x1,2 A304	WASHER 16x6x1.2 A304	-	2	-	-					
13	U960501000	PUERTA LATERAL AD	SIDE DOOR AD	-	1	-	-					
	Q419005000	REMACHE 4x8 ALMG3 / ALUMINIO	RIVET 4X8 ALMG3 / ALUMINIUM	-	4	-	-					
14	Z900527000	ASA	HANDLE	1	1	2	1					
	Q012041000	TORNILLO EXAGONAL M6x10	HEXAGONAL BOLT M6x10	2	2	4	2					
	Q302022000	ARANDELA 16x6x1,2 A304	WASHER 16x6x1.2 A304	2	2	4	2					
15	U910501000	PUERTA DE HORNO	OVEN DOOR	1	1	2	1					
16	U020528000	BISAGRA CIERRE HORNO	OVEN LOCK HINGE	2	2	4	2					
	Q152022000	TORNILLO M6x8	BOLT M6x8	6	6	12	6					
17	U962622000	LISTON SOPORTE PATAS 1 M AD	LEG SUPPORT STRIP 1 M AD	2	-	-	2					
17	U962601000	LISTON SOPORTE PATAS 1,5 M AD	LEG SUPPORT STRIP 1.5 M AD	-	2	-	-					
17	U962667000	LISTON SOPORTE PATAS 2 M AD	LEG SUPPORT STRIP 2 M AD	-	-	2	-					
18	U962829000	PORTAMAN. LATERAL HORNO AD	OVEN SIDE CONTROL HOLDER	1	1	2	-					
18	U962832000	PORTAM.LATERAL HORNO EL. AD	OVEN SIDE CONTROL HOLDER	-	-	-	1					
	Q152004000	TORNIL, APLASTADO M5x13 A304	FLAT HEADED BOLT M5x13 A304	2	2	4	2					
19	X162813000	PANEL LATERAL IZQUIERDO G900	LEFT SIDE PANEL G900	1	1	2	1					
S/Nº	U022842000	PANEL LATERAL DERECHO G9-00	RIGHT SIDE PANEL G9-00	1	-	2	1					
S/Nº	X162814000	PANEL LATERAL DERECHO G9-00	RIGHT SIDE PANEL G9-00	-	1	-	-					
	Q221343000	REMACHE EXAGONAL M6	HEXAGONAL RIVET M6	22	22	30	22					
	Q221342000	REMACHE EXAGONAL M5	HEXAGONAL RIVET M5	22	22	44	22					
	Q012043000	TORNILLO EXAGONAL M6x20 A304	HEXAGONAL BOLT M6x20 A304	4	4	4	4					
	Q152004000	TORNILLO APLASTADO M5x13 A304	FLAT HEADED BOLT M5x13 A304	6	6	6	6					

MOD.	COCINAS / RANGES	ZONA / ZONE	MUEBLE / FITTING	PLANO DIAGRAM	C-2861
------	------------------	-------------	------------------	------------------	--------

ITEM	CODIGO REFERENCE	DENOMINACION	DENOMINATION	CG9-41 AD	CG9-61 AD	CG9-82 AD	CGE9-41 AD					ELIMINADO ELIMINATED	INTRODUCID. INTRODUCED	NOTAS
20	X260151000	PATA REGULABLE	ADJUSTABLE LEG	4	4	4	4							
	Q411304000	REMACHE AVIBULB Ø 4,8	AVIBULB RIVET Ø 4.8	16	16	16	16							
21	X022841000	PANEL POSTERIOR 1 M AD	REAR PANEL 1 M AD	1	-	-	1							
21	U962801000	PANEL POSTERIOR 1,5 M AD	REAR PANEL 1.5 M AD	-	1	-	-							
21	U962820000	PANEL POSTERIOR 2 M AD	REAR PANEL 2 M AD	1	-	1	1							
	Q419005000	REMACHE 4x8 ALMG3 / ALUMINIO	RIVET 4X8 ALMG3 / ALUMINIUM	8	11	16	8							



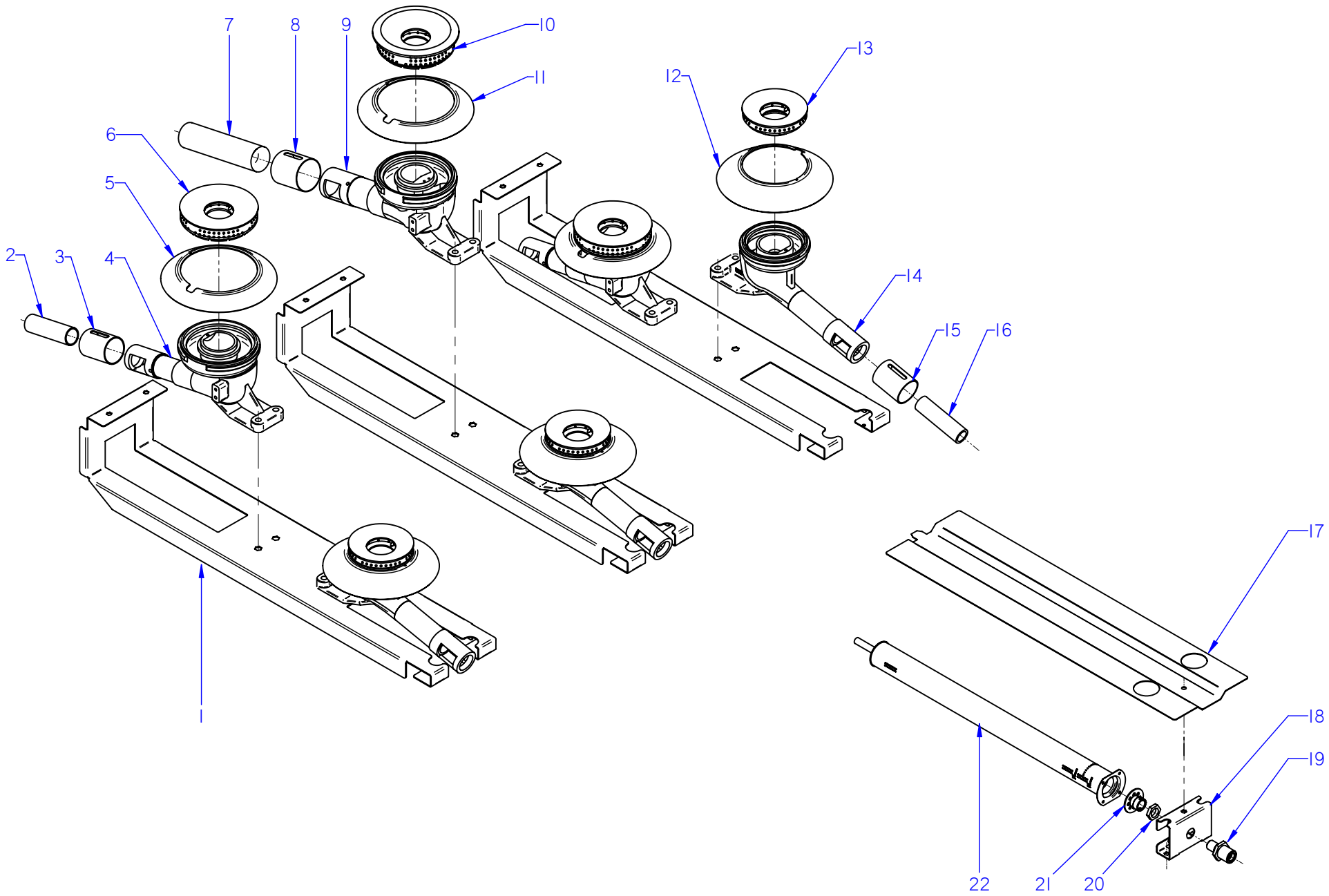
ITEM MARCADO EN COLOR = REPUESTO RECOMENDADO
 COLOURED ITEM = RECOMMENDED SPARE PART

Nº plano / N° plane	Fecha / Date	Denominación / Denomination:	Laminas / Sheet
C-2862	2011-09	CG9-20 AD/40 AD/60 AD /CGE9-41 AD	3
www.fagor.com		QUEIMADORES / BURNERS	Fagor Industrial S. Coop. FAGOR
Fecha / Date	Denominación / Denomination:	Laminas / Sheet	Onate

MOD.		COCINAS / RANGES	ZONA / ZONE	QUEMADORES / BURNERS							PLANO DIAGRAM	C-2862		
ITEM	CODIGO REFERENCE	DENOMINACION	DENOMINATION	CG9-20 AD	CG9-40 AD	CG9-60 AD	CGE9-41 AD	CG9-20 AD H	CG9-40 AD H	CG9-60 AD H		ELIMINADO ELIMINATED	INTRODUCID. INTRODUCED	NOTAS
1	U962606000	LISTON SOP. QUEMADOR AD	BURNER SUPPORT STRIP	2	2	3	2	2	2	3				
	Q221343000	REMACHE EXAGONAL M6	HEXAGONAL RIVET M6	8	8	12	8	8	8	12				
	Q412000000	REMACHE TUBULAR 4X8	TUBULAR RIVET 4X8	8	8	12	8	8	8	12				
2	U565700000	VENTURI QUEMADOR 8000	VENTURI BURNER 8000	1	1	2	1	1	3	5				
3	U265702000	REGULADOR AIRE	AIR CONTROLLER	1	1	2	1	1	3	5				
	Q132054000	VARILLA ROSCADA M6 x 12	THREADED ROD M6 x 12	1	1	2	1	1	3	5				
	Q162004000	TUERCA EXAGONAL M6	HEXAGONAL NUT M6	1	1	2	1	1	3	5				
4	U025710000	CUERPO QUEMADOR 8000 Kcal/H	BURNER BODY 8000 Kcal/h	1	1	2	1	1	3	5				
5	U915703000	PROTEC. PILOTO QUEMAD. 7000	BURNER PILOT GUARD 7000	1	1	2	1	1	3	5				
	Q372004000	PASADOR ELASTICO 5x20	ELASTIC PIN 5x20	2	2	4	4	2	6	10				
6	U135702500	QUEMADOR 8000	BURNER 8000	1	1	2	1	1	3	5				
	Q371026000	MANGUITO DE SUJECION Ø 4x14	HANDLE Ø 4x14	1	1	2	1	1	3	5				
	Q012045000	TORNILLO EXAGONAL M6x30 A304	HEXAGONAL BOLT M6x30 A304	1	1	2	1	1	3	5				
	Q302022000	ARANDELA 16x6x1,2 A304	WASHER 16x6x1.2 A304	1	1	2	1	1	3	5				
	U565011000	TUERCA GUIA	GUIDE NUT	1	1	2	1	1	1	1				
7	U235707000	VENTURI 10.500	VENTURI 10,500	—	1	1	1	1	1	1				
8	U025706000	REGULADOR DE AIRE 10.000	AIR CONTROL 10.000	—	1	1	1	1	1	1				
	Q132054000	VARILLA ROSCADA M6x12	THREADED ROD M6X12	—	1	1	1	1	1	1				
	Q162004000	TUERCA EXAGONAL M6	HEXAGONAL NUT M6	—	1	1	1	1	1	1				
9	U025711000	CUERPO QUEMADOR 10.000Kcal/H	BURNER BODY 10,000 Kcal/H	—	1	1	1	1	1	1				
	Q371028000	MANGUITO DE SUJECION Ø 3x14	HANDLE Ø 3x14	—	2	2	2	1	1	1				
10	U235701500	DIFUSOR 10.500 Kcal/H	DIFFUSER 10.500 Kcal/H	—	1	1	1	1	1	1				
	Q012045000	TORNILLO EXAGONAL M6x30 A304	HEXAGONAL BOLT M6x30 A304	—	1	1	1	1	1	1				
11	U915703000	PROTEC. PILOTO QUEMAD. 7000	BURNER PILOT GUARD 7000	—	1	1	1	1	1	1				
	Q372004000	PASADOR ELASTICO 5x20	ELASTIC PIN 5x20	—	2	2	4	2	1	2				
12	U025712000	PROTEC. PILOTO QUEMAD. 4000	BURNER PILOT GUARD 4000	1	2	3	2	—	—	—				
13	U445731000	QUEMADOR 4000 (00545-010)	BURNER 4000 (00545-010)	1	2	3	2	—	—	—				
	Q012045000	TORNILLO EXAGONAL M6x30 A304	HEXAGONAL BOLT M6x30 A304	1	2	3	2	—	—	—				
	Q302022000	ARANDELA 16x6x1,2 A304	WASHER 16x6x1.2 A304	1	2	3	2	—	—	—				
14	U025709000	CUERPO QUEMADOR 4000Kcal/H	BURNER BODY 4000 Kcal/H	1	2	3	2	—	—	—				
	Q371026000	MANGUITO DE SUJECION Ø 4x14	HANDLE Ø 4x14	1	2	3	2	—	—	—				

C-2863	Firma	2011-09	CG9-41 AD/CG9-61 AD/CG9-82 AD	4
Nº plano / N° plane	Fecha / Date	Denominación / Denomination:	Lamina / Sheet	Fagor Industrial S. coop.
		QUEMADORES / BURNERS		Fagor

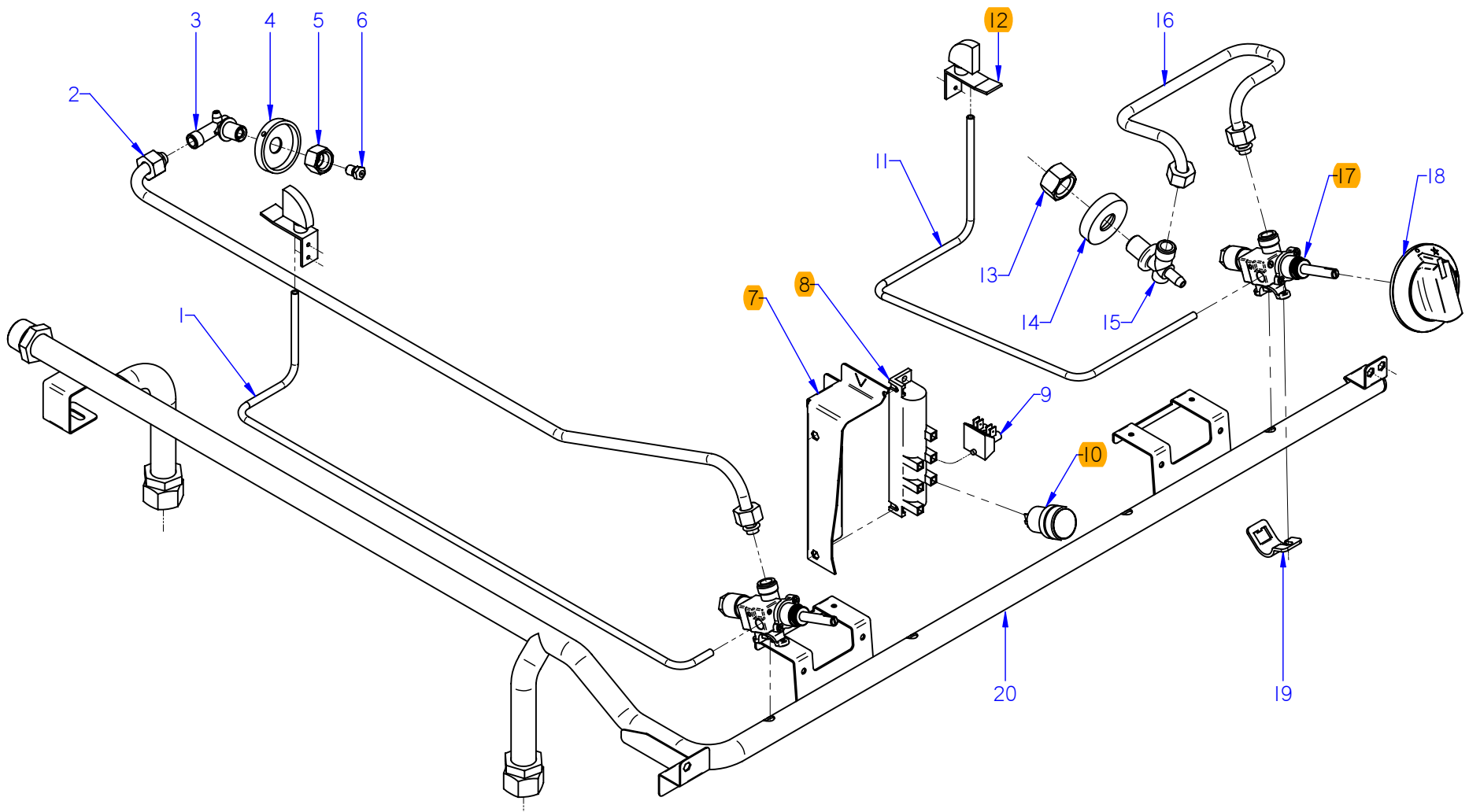
ITEM MARCADO EN COLOR = REPUESTO RECOMENDADO
 COLOURED ITEM = RECOMMENDED SPARE PART



MOD.		COCINAS / RANGES	ZONA / ZONE	QUEMADORES / BURNERS					PLANO DIAGRAM	C-2863				
ITEM	CODIGO REFERENCE	DENOMINACION	DENOMINATION	CG9-41 AD	CG9-61 AD	CG9-82 AD	CG9-41 AD H	CG9-61 AD H				ELIMINADO ELIMINATED	INTRODUCID. INTRODUCED	NOTAS
1	U962606000	LISTON SOP. QUEMADOR AD	BURNER SUPPORT STRIP	2	3	4	2	3						
	Q221343000	REMACHE EXAGONAL M6	HEXAGONAL RIVET M6	8	12	16	8	12						
	Q412000000	REMACHE TUBULAR 4X8	TUBULAR RIVET 4X8	8	12	16	8	12						
2	U565700000	VENTURI QUEMADOR 8000	VENTURI BURNER 8000	1	2	2	3	5						
3	U265702000	REGULADOR AIRE	AIR CONTROLLER	1	2	2	3	5						
	Q132054000	VARILLA ROSCADA M6 x 12	THREADED ROD M6 x 12	1	2	2	3	5						
	Q162004000	TUERCA EXAGONAL M6	HEXAGONAL NUT M6	1	2	2	3	5						
4	U025710000	CUERPO QUEMADOR 8000 Kcal/H	BURNER BODY 8000 Kcal/h	1	2	2	3	5						
5	U915703000	PROTEC. PILOTO QUEMAD. 7000	BURNER PILOT GUARD 7000	1	2	2	3	5						
	Q372004000	PASADOR ELASTICO 5x20	ELASTIC PIN 5x20	4	6	4	6	10						
6	U135702500	QUEMADOR 8000	BURNER 8000	1	2	2	3	5						
	Q371026000	MANGUITO DE SUJECION Ø 4x14	HANDLE Ø 4x14	1	2	2	3	5						
7	U235707000	VENTURI 10.500	VENTURI 10,500	1	1	2	1	1						
8	U025706000	REGULADOR DE AIRE 10.000	AIR CONTROL 10.000	1	1	2	1	1						
	Q132054000	VARILLA ROSCADA M6x12	THREADED ROD M6x12	1	1	2	1	1						
	Q162004000	TUERCA EXAGONAL M6	HEXAGONAL NUT M6	1	1	2	1	1						
9	U025711000	CUERPO QUEMADOR 10.000Kcal/H	BURNER BODY 10,000 Kcal/H	1	1	2	1	1						
	Q371028000	MANGUITO DE SUJECION Ø 3x14	HANDLE Ø 3x14	2	2	4	1	1						
10	U235701500	DIFUSOR 10.500 Kcal/H	DIFFUSER 10.500 Kcal/H	1	1	2	1	1						
	Q012045000	TORNILLO EXAGONAL M6x30 A304	HEXAGONAL BOLT M6x30 A304	1	1	2	1	1						
	Q302022000	ARANDELA 16x6x1,2 A304	WASHER 16x6x1.2 A304	1	1	2	1	1						
11	U915703000	PROTEC. PILOTO QUEMAD. 7000	BURNER PILOT GUARD 7000	1	1	2	1	1						
	Q372004000	PASADOR ELASTICO 5x20	ELASTIC PIN 5x20	4	2	4	1	2						
12	U025712000	PROTEC. PILOTO QUEMAD. 4000	BURNER PILOT GUARD 4000	2	3	4	-	-						
13	U445731000	QUEMADOR 4000	BURNER 4000	2	3	4	-	-						
14	U025709000	CUERPO QUEMADOR 4000Kcal/H	BURNER BODY 4000 Kcal/H	2	3	4	-	-						
	Q371026000	MANGUITO DE SUJECION Ø 4x14	HANDLE Ø 4x14	2	3	4	-	-						
15	U265702000	REGULADOR AIRE	AIR CONTROLLER	2	3	4	-	-						
	Q131542000	VARILLA ROSCADA M6 x 15	THREADED ROD M6 x 15	2	3	4	-	-						
	Q162004000	TUERCA EXAGONAL M6	HEXAGONAL NUT M6	2	3	4	-	-						
16	U125720000	VENTURI QUEMADOR 4000 kcl	VENTURI BURNER 4000 kcl	2	3	4	-	-						

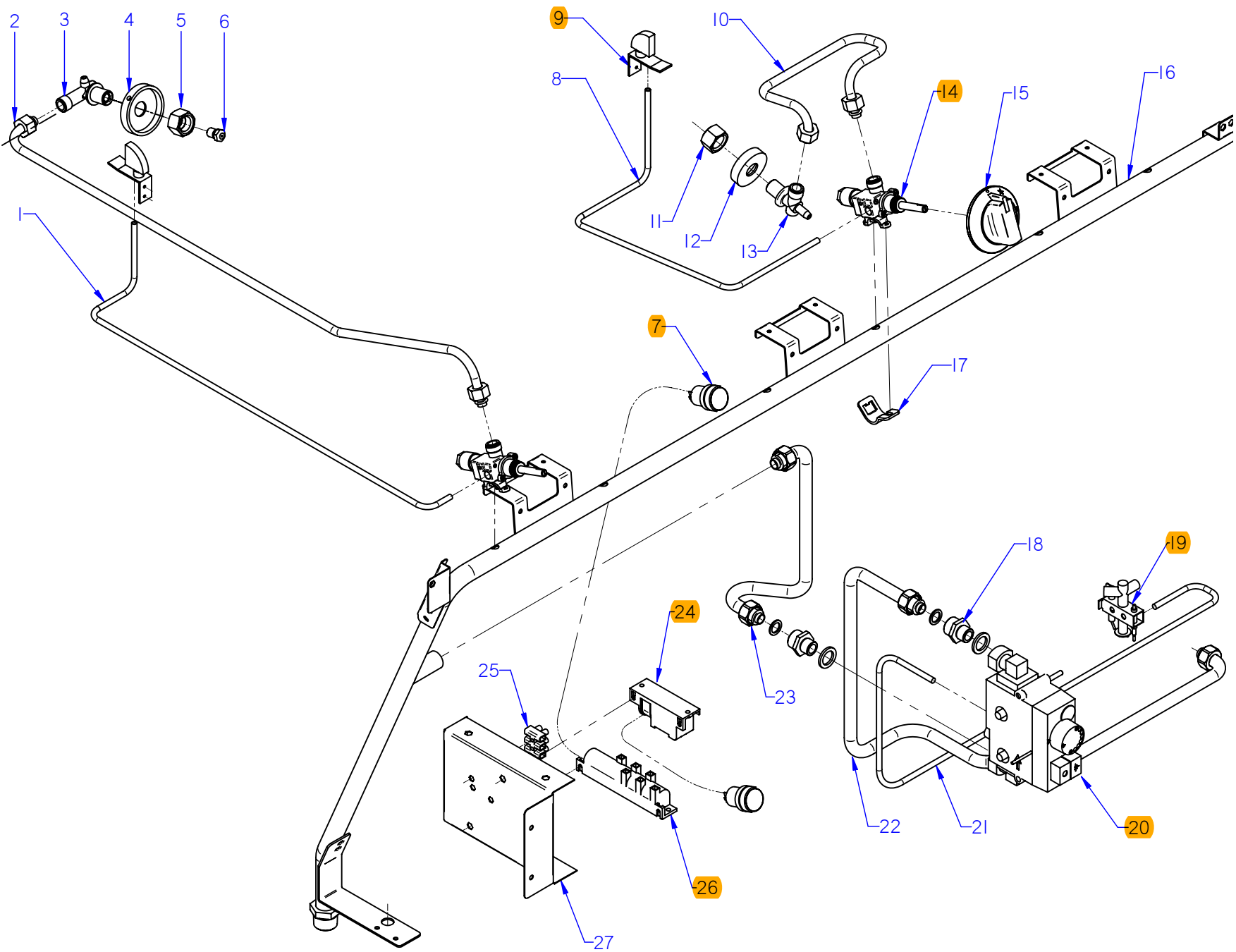
C-2864	Firma	2011-09	CG9-20 AD/40 AD/60 AD /CGE9-41 AD	5
Nº plano / N° plane	Fecha / Date	Denominación / Denomination:	Laminas / Sheet	Fagor Industrial S. Coop.
		PARTE FUNCIONAL / FUNCTIONAL PART		Fagor Industrial S. Coop. FAGOR

ITEM MARCADO EN COLOR = REPUESTO RECOMENDADO
 COLOURED ITEM = RECOMMENDED SPARE PART



MOD.		COCINAS / RANGES	ZONA / ZONE	PARTE FUNCIONAL / FUNCTIONAL PART							PLANO DIAGRAM		C-2864	
ITEM	CODIGO REFERENCE	DENOMINACION	DENOMINATION	CG9-20 AD	CG9-40 AD	CG9-60 AD	CGE9-41 AD	CG9-20 AD H	CG9-40 AD H	CG9-60 AD H		ELIMINADO ELIMINATED	INTRODUCID. INTRODUCED	NOTAS
1	U965002000	TUBO PILOTO POSTERIOR AD	REAR PILOT PIPE AD	1	2	3	2	1	2	3				
S/Nº	S312107000	MANGUITO TUBO PILOTO	PILOT PIPE HOSE	2	4	6	4	2	4	6				
S/Nº	X205028000	BICONO Ø 6	BICONE Ø 6	1	2	3	2	1	2	3				
2	U965005000	CON. QUEMADOR POSTERIOR AD	REAR BURNER UNIT COMP.	1	2	3	2	1	2	3				
3	U915014000	PORTATOBERAS HORNO	OVEN NOZZLE HOLDER	1	2	3	2	1	2	3				
	Q153002000	TORNILLO TAPON	CAP BOLT	1	2	3	2	1	2	3				
4	U022620000	POSICIONADOR PORTATOB. G900	NOZZLE-HOLDER POSITION. G900	—	1	1	1	1	1	1				
5	U235703000	TUERCA GUIA 10.500	NUT GUIDE 10,500	—	1	1	1	1	1	1				
6	U122407000	TOBERA Ø 1,05 BP (4000)	NOZZLE Ø 1.05 BP (4000)	1	2	3	2	—	—	—				
6	R302400000	TOBERA Ø 1,65 GN (4000)	NOZZLE Ø 1.65 GN (4000)	1	2	3	2	—	—	—				
6	0631000000	TOBERA Ø 1,40 BP (8000)	NOZZLE Ø 1.40 BP (8000)	1	1	2	1	1	3	5				
6	U112402000	TOBERA Ø 2,10 GN (8000)	NOZZLE Ø 2.10 GN (8000)	1	1	2	1	1	3	5				
6	U112401000	TOBERA Ø 1,55 BP (10500)	NOZZLE Ø 1.55 BP (10500)	—	1	1	1	1	1	1				
6	0631600000	TOBERA Ø 2,40 GN (10500)	NOZZLE Ø 2.40 GN (10500)	—	1	1	1	1	1	1				
7	U962668000	CAJA TREN CHISPA 920 SOLD	TRAIN SPARK BOX 920 SOLD	1	—	—	—	1	—	—				
7	U962669000	CAJA TREN CHISPA SOLD AD	TRAIN SPARK BOX SOLD AD	—	1	1	—	—	1	1				
	Q012031000	TORNILLO EXAGONAL M5x10	HEXAGONAL BOLT M5x10	2	2	2	2	2	2	2				
8	X163014000	ENCENDEDOR PARA 2 BUJIAS	LIGHTER FOR 2 PLUGS	1	—	—	—	1	—	—				
8	U963001000	TREN DE CHISPAS 6	TRAIN SPARKS 6	—	1	1	1	—	1	1				
9	Z713035000	REGLETA 6MM	C6MM STRIP	1	1	1	1	1	1	1				
10	T723009000	PULSADOR SERIE MICRO	MICRO SWITCH SERIES	1	1	1	1	1	1	1				
11	U965001000	TUBO PILOTO ANTERIOR AD	FRONT PILOT PIPE AD	1	2	3	2	1	2	3				
S/Nº	S312107000	MANGUITO TUBO PILOTO	PILOT PIPE HOSE	2	4	6	4	2	4	6				
S/Nº	U962108000	BICONO Ø 6	BICONE Ø 6	1	2	3	2	1	2	3				
12	U962109000	PILOTO COMPLETO	S140(0140028) PILOT UNIT	2	4	6	4	2	4	6				
S/Nº	U962107000	INYECTOR LPG	INJECTOR LPG	2	4	6	4	2	4	6				
S/Nº	U962106000	INYECTOR NG	INJECTOR NG	2	4	6	4	2	4	6				
S/Nº	U962101000	TERMOPAR 1500	THERMOCOUPLE 1500	1	2	3	2	1	2	3				
S/Nº	U962102000	TERMOPAR 600	THERMOCOUPLE 600	1	2	3	2	1	2	3				
S/Nº	X012101000	BUJIA 915.037	SPARK PLUG	2	4	6	4	2	4	6				
S/Nº	S312107000	MANGUITO TUBO PILOTO	PILOT PIPE HOSE	4	8	12	8	4	8	12				

MOD.		COCINAS / RANGES	ZONA / ZONE	PARTE FUNCIONAL / FUNCTIONAL PART							PLANO DIAGRAM		C-2864	
ITEM	CODIGO REFERENCE	DENOMINACION	DENOMINATION	CG9-20 AD	CG9-40 AD	CG9-60 AD	CGE9-41 AD	CG9-20 AD H	CG9-40 AD H	CG9-60 AD H		ELIMINADO ELIMINATED	INTRODUCID. INTRODUCED	NOTAS
13	U565011000	TUERCA GUIA	NUT GUIDE	2	3	5	3	1	3	5				
14	U022619000	POSICIONADOR PORTATOB. 4000	NOZZLE-HOLDER POSITIO. 4000	2	3	5	3	1	3	5				
15	U265033000	PORTATOVERAS Ø10	NOZZLE HOLDER Ø10	1	2	3	2	1	2	3				
	Q153002000	TORNILLO TAPON	CAP BOLT	1	2	3	2	1	2	3				
16	U965003000	CONduc. QUEMADOR ANTERI. AD	FRONT BURNER PIPE AD	1	2	3	2	1	2	3				
17	U912115000	GRIFO 18700 BY-PASS 0,75	TAP 18700 BY-PASS 0.75	1	2	3	2	-	-	-				
17	U912109000	GRIFO 18700 BY-PASS 1,15	TAP 18700 BY-PASS 1.15	1	1	2	1	1	3	5				
17	U912117000	GRIFO 18700 BY-PASS 1,45	TAP 18700 BY-PASS 1.45	-	1	1	1	1	1	1				
18	U022117000	MANDO MONT COCINA GAS Ø8	GAS COOK. ASSEMBLY CTRL Ø8	2	4	6	4	2	4	6				
19	U912104000	BRIDA AMARRE GRIFO 1/2"	TAP FASTENING FLANGE 1/2"	2	4	6	4	2	4	6				
	Q122032000	TORNILLO ALLEN M5x15	ALLEN BOLT M5x15	2	4	6	4	2	4	6				
20	U015010000	DISTRIBUIDOR COMPLET. CG9-20	COMPL. DISTRIBUTOR CG9-20	1	-	-	-	1	-	-				
20	U025042000	DISTRIBUIDOR COMPLET. CG9-40	COMPL. DISTRIBUTOR CG9-40	-	1	-	-	-	1	-				
20	U075004000	DISTRIBUIDOR COMPLET. CG9-60	COMPL. DISTRIBUTOR CG9-60	-	-	1	-	-	-	1				
20	U225003000	DISTRIBUIDOR COMPLE. CGE9-41	COMPL. DISTRIBUTOR CGE9-41	-	-	-	1	-	-	-				

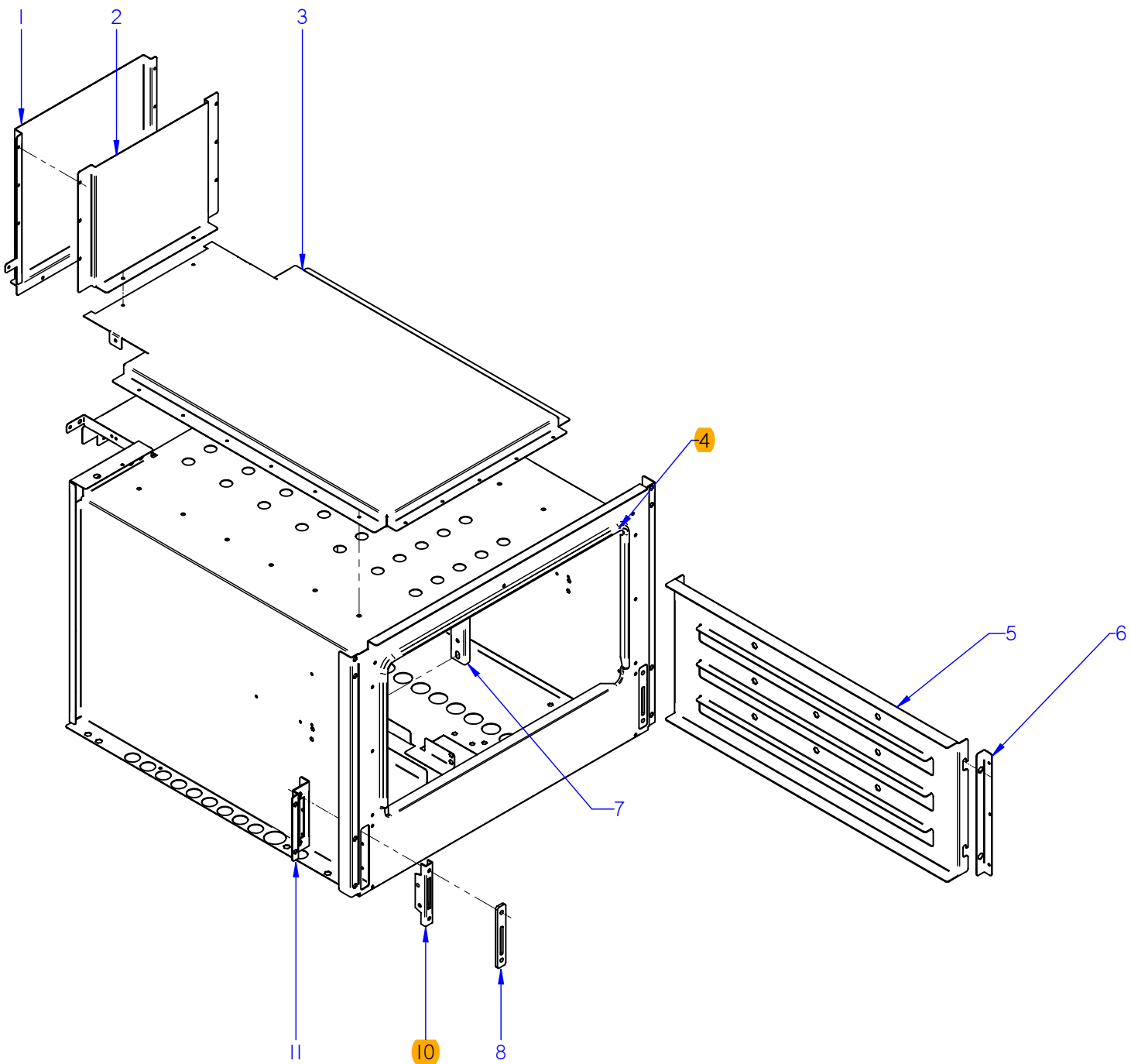


ITEM MARCADO EN COLOR = REPUESTO RECOMENDADO
 COLOURED ITEM = RECOMMENDED SPARE PART

Nº plano/ N° plane	Firma	Fecha/ Date	Denominación/ Denomination:	PARTE FUNCIONAL/ FUNCTIONAL PART	Laminas/ Sheet	Fagor Industrial S. Coop.
C-2865	<i>(Signature)</i>	2011-09	COCINAS CG9-41 AD/ 61 AD/ 82 AD		6	Onate
FAGOR						

MOD.	COCINAS / RANGES		ZONA / ZONE	PARTE FUNCIONAL / FUNCTIONAL PART					PLANO DIAGRAM	C-2865				
ITEM	CODIGO REFERENCE	DENOMINACION	DENOMINATION	CG9-41 AD	CG9-61 AD	CG9-82 AD	CG9-41 AD H	CG9-61 AD H				ELIMINADO ELIMINATED	INTRODUCID. INTRODUCED	NOTAS
1	U965002000	TUBO PILOTO POSTERIOR AD	REAR PILOT PIPE AD	2	3	4	2	3						
S/Nº	S312107000	MANGUITO TUBO PILOTO	PILOT PIPE HOSE	4	6	8	4	6						
S/Nº	X205028000	BICONO Ø 6	BICONE Ø 6	2	3	4	2	3						
2	U965005000	CON. QUEMADOR POSTERIOR AD	REAR BURNER UNIT COMP.	2	3	4	2	3						
3	U915014000	PORTATOBERAS HORNO	OVEN NOZZLE HOLDER	2	3	4	2	3						
	Q153002000	TORNILLO TAPON	CAP BOLT	4	6	8	4	6						
4	U022620000	POSICIONADOR PORTATOB. G900	NOZZLE-HOLDER POSITION. G90	1	1	2	1	1						
5	U235703000	TUERCA GUIA 10.500	NUT GUIDE 10,500	1	1	2	1	1						
6	U122407000	TOBERA Ø 1,05 BP (4000)	NOZZLE Ø 1.05 BP (4000)	2	3	4	-	-						
6	R302400000	TOBERA Ø 1,65 GN (4000)	NOZZLE Ø 1.65 GN (4000)	2	3	4	-	-						
6	0631000000	TOBERA Ø 1,40 BP (8000)	NOZZLE Ø 1.40 BP (8000)	1	2	2	3	5						
6	U112402000	TOBERA Ø 2,10 GN (8000)	NOZZLE Ø 2,10 GN (8000)	1	2	2	3	5						
6	U112401000	TOBERA Ø 1,55 BP (10500)	NOZZLE Ø 1.55 BP (10500)	1	1	2	1	1						
6	0631600000	TOBERA Ø 2,40 GN (10500)	NOZZLE Ø 2.40 GN (10500)	1	1	2	1	1						
7	T723009000	PULSADOR SERIE MICRO	MICRO SWITCH SERIES	2	2	4	2	2						
8	U965001000	TUBO PILOTO ANTERIOR AD	FRONT PILOT PIPE AD	2	3	4	2	3						
S/Nº	S312107000	MANGUITO TUBO PILOTO	PILOT PIPE HOSE	4	6	8	4	6						
S/Nº	U962108000	BICONO Ø 6	BICONE Ø 6	2	3	4	2	3						
9	U962109000	PILOTO COMPLETO	S140(0140028) PILOT UNIT	4	6	8	4	6						
S/Nº	U962107000	INYECTOR LPG	INJECTOR LPG	4	6	8	4	6						
S/Nº	U962106000	INYECTOR NG	INJECTOR NG	4	6	8	4	6						
S/Nº	U962101000	TERMOPAR 1500	THERMOCOUPLE 1500	2	3	4	2	3						
S/Nº	U962102000	TERMOPAR 600	THERMOCOUPLE 600	2	3	4	2	3						
S/Nº	X012101000	BUJIA 915.037	SPARK PLUG	4	6	8	4	6						
S/Nº	S312107000	MANGUITO TUBO PILOTO	PILOT PIPE HOSE	8	12	16	8	12						
10	U965003000	CONDUC. QUEMADOR ANTERI. AD	FRONT BURNER PIPE AD	2	3	4	2	3						
11	U56501100	TUERCA GUIA	NUT GUIDE	3	5	6	3	5						
12	U022619000	POSICIONADOR PORTATOB. 4000	NOZZLE-HOLDER POSITION. 4000	3	5	6	3	5						
13	U265033000	PORTATOBERAS Ø10	NOZZLE HOLDER Ø10	2	3	4	2	3						
	Q153002000	TORNILLO TAPON	CAP BOLT	2	3	4	2	3						

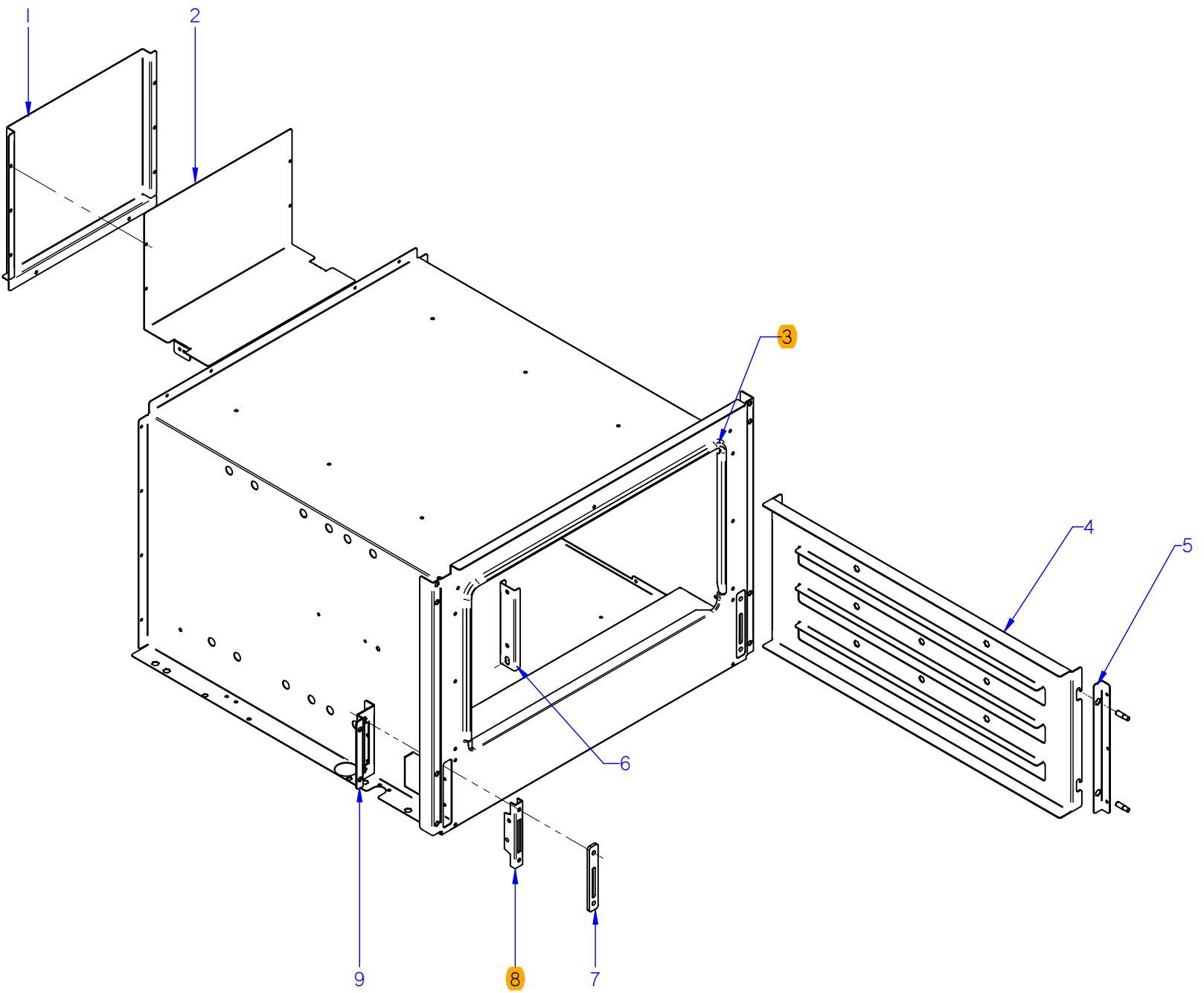
MOD.	COCINAS / RANGES		ZONA / ZONE	PARTE FUNCIONAL / FUNCTIONAL PART					PLANO DIAGRAM		C-2865		
ITEM	CODIGO REFERENCE	DENOMINACION	DENOMINATION	CG9-41 AD	CG9-61 AD	CG9-82 AD	CG9-41 AD H	CG9-61 AD H			ELIMINADO ELIMINATED	INTRODUCID. INTRODUCED	NOTAS
14	U912115000	GRIFO 18700 BY-PASS 0,75	TAP 18700 BY-PASS 0.75	2	3	4	-	-					
14	U912109000	GRIFO 18700 BY-PASS 1,15	TAP 18700 BY-PASS 1.15	1	2	2	3	2					
14	U912117000	GRIFO 18700 BY-PASS 1,45	TAP 18700 BY-PASS 1.45	1	1	2	1	1					
15	U022117000	MANDO MONT COCINA GAS Ø8	GAS COOK. ASSEMBLY CTRL Ø8	4	6	8	4	6					
16	U025066000	DISTRIBUIDOR COMPLET. CG9-41	COMPLETE DISTRIBUTOR CG9-41	1	-	2	1	-					
16	U035005000	DISTRIBUIDOR COMPLET. CG9-61	COMPLETE DISTRIBUTOR CG9-61	-	1	-	-	1					
	Q152004000	TORNILLO APLASTADO M5x13	FLAT HEAD SCREW M5X13	2	2	8	2	2					
17	U912104000	BRIDA AMARRE GRIFO 1/2"	TAP FASTENING FLANGE 1/2"	4	6	8	4	6					
	Q122032000	TORNILLO ALLEN M5x15	ALLEN BOLT M5x15	4	6	8	4	6					
18	U202103000	MANGUITO REDUCCION 1/2-3/8"	REDUCTION HOSE 1/2-3/8"	2	2	4	2	2					
	Q306058000	ARANDELA 25x17X2.5	WASHER 25x17X2.5	2	2	4	2	2					
19	U322118000	PILOTO COMPLETO 100.062	COMPLETE PILOT LIGHT 100,062	1	1	2	1	1					
S/Nº	U442137000	INYECTOR Ø 0,4 GN	INJECTOR Ø 0.4 GN.	1	1	2	1	1					
S/Nº	U562130000	TERMOPAR L=850	THERMOCOUPLE L=850	1	1	2	1	1					
S/Nº	X022131000	BUJIA	SPARK PLUG	1	1	2	1	1					
	Q012031000	TORNILLO EXAGONAL M5x15 A304	HEXAGONAL BOLT M5x15 A304	2	2	4	2	2					
20	U134324000	VALVULA MINISIT 0710.654	VALVE MINISIT 0710.654	1	1	2	1	1					
S/Nº	Q307041000	JUNTA TORICA 25,4x20,2x2,6	O-RING 25.4x20.2x2.6	2	2	4	2	2					
S/Nº	U134317000	MANDO NEGRO MINI 916.124	BLACK CTRL. MINI 916.124	1	1	2	1	1					
S/Nº	U134318000	CUBIERTA MINISIT 903.052	COVER MINISIT 903.052	1	1	2	1	1					
S/Nº	Q031322000	TORNILLO ALOMADO M4x15	CURVED SCREW M4X15	8	8	16	8	8					
S/Nº	U264300000	RACOR 3/8 906,252	CONNECTION 3/8 906.252	2	2	4	2	2					
S/Nº	U134323000	RACORD BICONO 6 958.031	BICONE CONNECTION 6 958.031	1	1	2	1	1					
21	U025062000	TUBO PILOTO EUROSIT QUEM.	PILOT PIPE EUROSIT BURNER	1	1	2	1	1					
S/Nº	U134323000	RACORD BICONO 6 958.031	BICONE CONNECTION 6 958.031	2	2	4	2	2					
22	U025061000	TUBO COMPLETO EUROSIT QUEM	COMPLETE PIPE EUROSIT BURN	1	1	2	1	1					
23	U025050000	ENTRADA MINISIT COMPL CG900	INPUT MINISIT COMPL CG900	1	1	2	1	1					
	Q306062000	ARANDELA Ø13,9X10,33x1,5	WASHER Ø13.9X10.33x1.5	8	8	16	8	8					
24	X163014000	ENCENDEDOR PARA 2 BUJIAS	LIGHTER FOR 2 PLUGS	1	1	2	1	1					
25	Z713035000	REGLETA 6MM	C6MM STRIP	1	1	2	1	1					
26	U963001000	TREN DE CHISPAS 6	TRAIN SPARKS 6	1	1	2	1	1					



ITEM MARCADO EN COLOR = REPUESTO RECOMENDADO
 COLOURED ITEM = RECOMMENDED SPARE PART

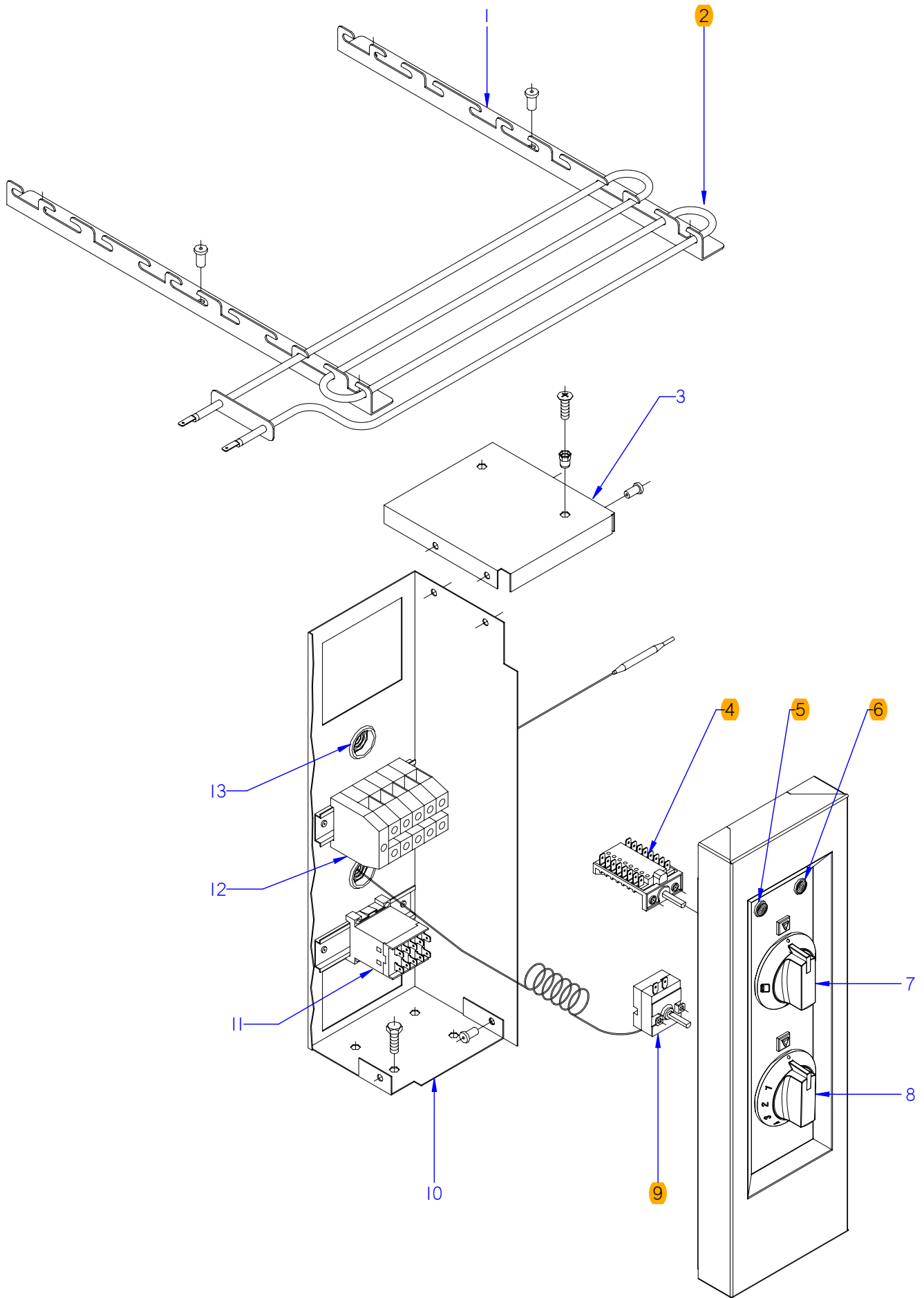
Nº plano / N° Plane	Firma	Fecha / Date	Denominación / Denomination:	HORNO / OVEN	Lamina / Sheet	Fagor Industrial S. Coop. FAGOR Ondate
C-2866	<i>(Firma)</i>	2011-10	COCINAS CG9-41 AD/ 61 AD/ 82 AD		7	

MOD.	COCINAS / RANGES		ZONA / ZONE	HORNO / OVEN							PLANO DIAGRAM		C-2866		
ITEM	CODIGO REFERENCE	DENOMINACION	DENOMINATION	CG9-41 AD	CG9-61 AD	CG9-82 AD							ELIMINADO ELIMINATED	INTRODUCID. INTRODUCED	NOTAS
1	U965604000	POSTERIOR CHIMENEA AD	REAR FLUEPIPE AD	1	1	2									
	Q419005000	REMACHE 4x8 ALMG3 / ALUMINIO	RIVET 4X8 ALMG3 / ALUMINIUM	14	14	28									
2	U965603000	CHIMENEA ANTERIOR AD	FRONT FLUEPIPE AD	1	1	2									
3	U965602000	CAMARA DE HUMOS AD	SMOKE CHAMBER AD	1	1	2									
	Q419005000	REMACHE 4x8 ALMG3 / ALUMINIO	RIVET 4X8 ALMG3 / ALUMINIUM	19	19	38									
4	U965613000	JUNTA HORNO FIBRA DE VIDRIO	FURNACE FIBERGLASS BOARD	1	1	2									
5	U915607000	GUIA LATERAL HORNO G700	OVEN SIDE GUIDE G700	2	2	4									
	Q151336000	TORNILLO SOPORTE GUIAS	GUIDE SUPPORT BOLT	4	4	8									
	Q302022000	ARANDELA 16X6X1.2 A.304	WASHER 16X6X1.2 A.304	4	4	8									
	Q221321000	REMACHE ROSCAD.NUTSERT.M6	THREADED RIVET .NUTSERT.M6	4	4	8									
6	U915616000	SUPLEMENTO AMARRE GUIA LAT.	SIDE GUIDE FAST. SUPPL.	2	2	4									
	Q412000000	REMACHE TUBULAR 4x8	TUBULAR RIVET 4x8	6	6	12									
7	U055644000	FIJACION BULBO	FASTENING BULB	1	1	2									
	Q412000000	REMACHE TUBULAR 4x8	TUBULAR RIVET 4x8	2	2	4									
8	U915619000	EMBELLECED GUIA BISAGRA	HINGE GUIDE TRIM	2	2	4									
	Q152045000	TORNILLO AMARRE M6X25	FASTENING BOLT M6X25	4	4	4									
9	U010512000	GUIA DE BISAGRA	HINGE GUIDE	2	2	4									
10	U915604000	AMARRE GUIA BISAGRA HORNO	OVEN HINGE GUIDE FASTENING	2	2	4									
	Q221342000	REMACHE EXAGONAL M5	HEXAGONAL RIVET M5	2	2	4									
	Q412000000	REMACHE TUBULAR 4x8	TUBULAR RIVET 4x8	6	6	12									
	Q222042000	REMACHE EXAGONAL ROSCA M6	HEXAGONAL RIVET THREAD M6	4	4	8									



ITEM MARCADO EN COLOR = REPUESTO RECOMENDADO
 COLOURED ITEM = RECOMMENDED SPARE PART

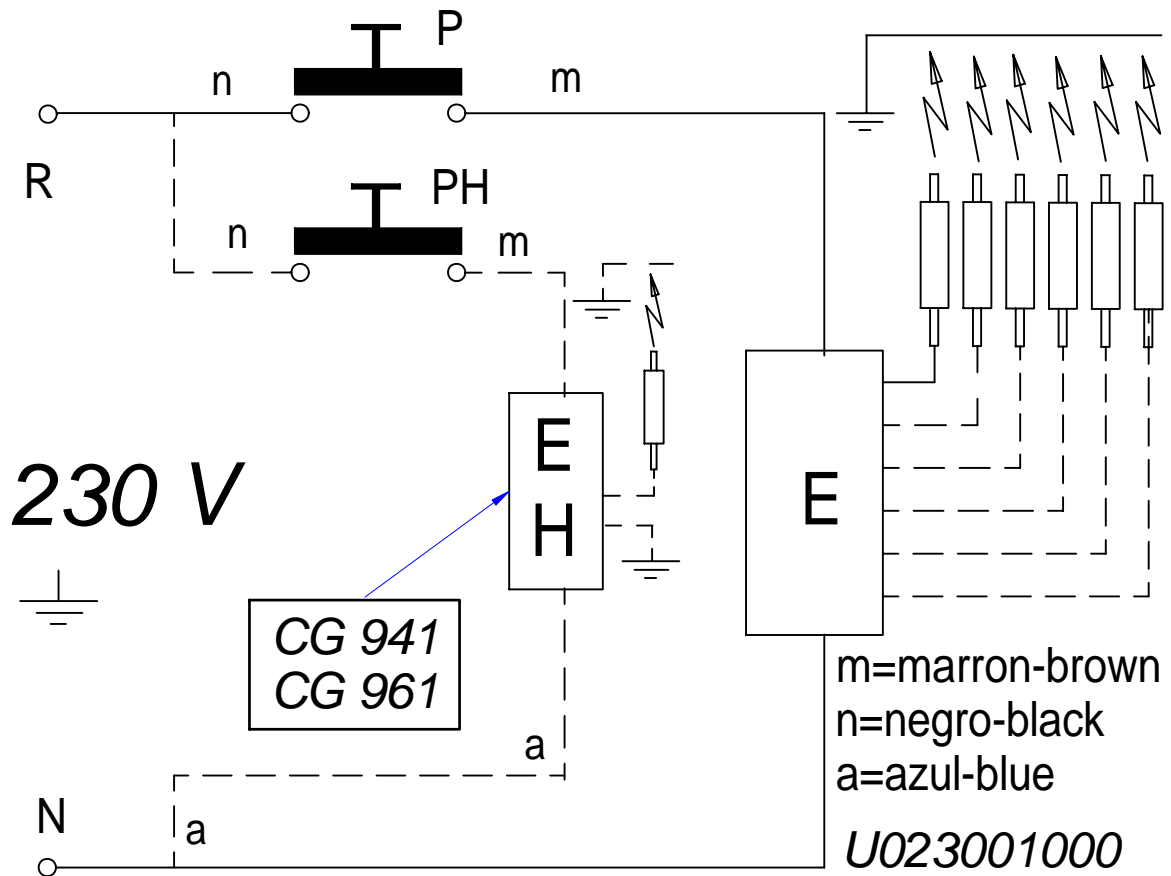
Nº plano / N° plane	Firma	Fecha / Date	Denominación / Denomination:	HORNO / OVEN	Laminas / Sheet	Omate
C-2867	<i>(Firma)</i>	2011-1-10	COCINA CGE9-41 AD		8	Fagor Industrial S. Coop. FAGOR




ITEM MARCADO EN COLOR = REPUESTO RECOMENDADO
 COLOURED ITEM = RECOMMENDED SPARE PART

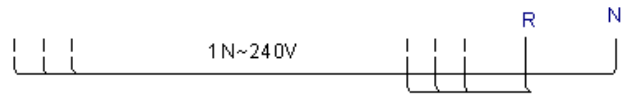
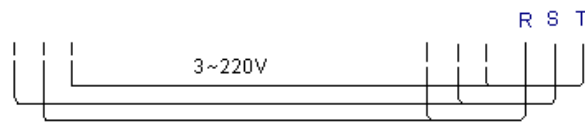
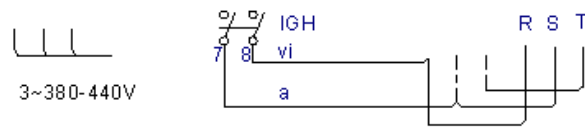
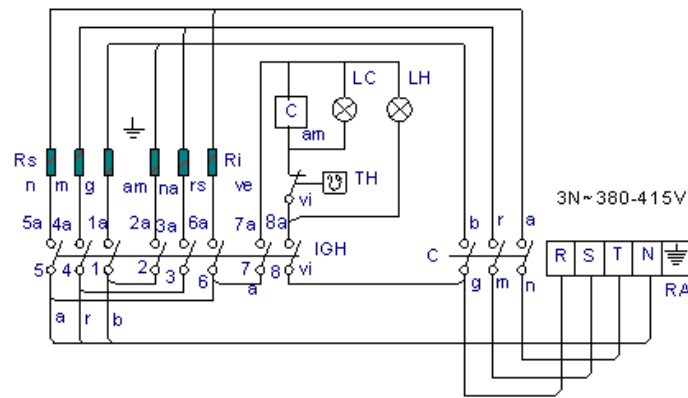
Nº plano / N ° plane	Firma	Fecha / Date	Denominación / Denomination: PARTE ELECTRICA / ELECTRICS FUNCTIONAL	Lamina / Sheet	Fagor Industrial S.Coop. FAGOR
C-2868	<i>[Signature]</i>	2011-09	COCINA CGE9-41 AD	9	Oñate

MOD.		COCINAS / RANGES		ZONA / ZONE		PARTE FUNCIONAL ELECTRICA ELECTRICS FUNCTIONAL PART						PLANO DIAGRAM		C-2868	
ITEM	CODIGO REFERENCE	DENOMINACION	DENOMINATION	CGE9-41 AD								ELIMINADO ELIMINATED	INTRODUCID. INTRODUCED	NOTAS	
1	U965620000	ESCUADRA SOP. RESISTENCIA AD	SUPP. BRACKET RESISTORS AD	4											
	Q419005000	REMACHE 4x8 ALMG3 / ALUMINIO	RIVET 4X8 ALMG3 / ALUMINIUM	12											
2	U803004000	RESISTENCIA 1000W/230V	RESISTOR 1000W -230V	6											
3	U963003000	TAPA DE CUADRO ELECTRICO AD	ELECTRIC PANEL COVER AD	1											
	Q419005000	REMACHE 4x8 ALMG3 / ALUMINIO	RIVET 4X8 ALMG3 / ALUMINIUM	4											
	Q419005000	REMACHE 4x8 ALMG3 / ALUMINIO	RIVET 4X8 ALMG3 / ALUMINIUM	2											
	Q221342000	REMACHE EXAGONAL M5	HEXAGONAL RIVET M5	2											
	Q012032000	TORNILLO EXAGONAL M5x15 A304	HEXAGONAL BOLT M5x15	2											
	Q012032000	TORNILLO EXAGONAL M5x15 A304	HEXAGONAL BOLT M5x15	2											
4	U673006000	CONMUTADOR	SWITCH	1											
	Q151320000	TORNILLO ALOMADO M4x6 H.ZINC	CURVED SCREW M4X6 H. ZINC	2											
5	R693055000	PILOTO VERDE 41227000C7	GREEN PILOT 41227000C7	1											
6	R693056000	PILOTO AMBAR	AMBER PILOT	1											
7	U173006000	MANDO MONTADO CE Ø6	CONTROL CE Ø6	1											
8	U173005000	MANDO CE Ø6 TERMOSTATO	CONTROL Ø6 THERMOSTAT	1											
9	X153000000	TERMOSTATO 50-310° C	THERMOSTAT 50-310 C	1											
	Q151320000	TORNILLO ALOMADO M4x6 H.ZINC	CURVED SCREW M4X6 H. ZINC	2											
10	U963002000	CUADRO ELECTRICO AD	ELECTRICAL PANEL AD	1											
11	Z213007000	CONTACTOR 3TF2010-3AL2	CONTACTOR 3TF2010-3AL2	1											
	Q419005000	REMACHE 4x8 ALMG3 / ALUMINIO	RIVET 4X8 ALMG3 / ALUMINIUM	4											
12	P453025000	BORNES 10 WDU-10203.0	TERMINALS 10 WDU-10203.0	3											
	U803009000	BORNA PASO AZUL 16 MM.	BLUE TAP TERMINAL 16MM	1											
	P453026000	BORNA TIERRA 10 WPE-10103.0	TERMINAL TIER 10 WPE-10103.0	1											
	Z263303000	TOPE FINAL	END STOP	1											
	R663055000	GUIA CONTACTOR L-120	CONTACTOR GUIDE L-120	1											
13	X723014000	PASAMUROS AMETRO 30		2											



-	Eskema teorikoa: ADVANCE		-	-	U023001000	-
Zk./Nº	Pieza		Cant.	Materiala/Material	Klas. zk/Nº Clas.	Gainazal akabera/Tratamiento
Zk./Nº	Aldaketa/Modificaciones			Nork proposatua/Propuesta de	Data/Fecha	Perdoi orokorrak Tolerancias generales
-	-	-	-	-	-	< 5 ± 0.2
-	-	-	-	-	-	50 ÷ 100 ± 0.8
-	-	-	-	-	-	5 ÷ 25 ± 0.4
-	-	-	-	-	-	>100 ± 1
-	-	-	-	-	-	25 ÷ 50 ± 0.6
-	-	-	-	-	-	α ± 1
Marraztua/Dibujado	Sinadura/Firma	Data/Fecha	FAGOR  Fagor Industrial, Koop. Elk, Mugatua			Gainazal perdoia Mecanizado superficial
Proiektatua/Proyectado	e.carrascal	2008-11-25				-
Egiaztatua/Comprobado	I. Alberdi	2008-11-25				-
Eskala/Escala	EGOSKETA					Plano Zk./Plano Nº HB-80558
-	Plano hau ezin daiteke erabili, ez berriztatu, gure baimenik gabe.					- Zk. ord. du
-						- Zk.gaitik ord.

HE9-10



RA: Regleta de Alimentación

IGH : Conmutador General Horno

C: Contactor

LC : Lámpara Calentamiento Horno

LH: Lámpara Horno Encendido

TH : Termostato de Horno

Rs : Resistencia Horno Superior

Ri : Resistencia Horno Inferior

r = rojo-red-rouge

m = marron-brown-marron

g = gris-grey-gris

n = negro-black-noir

a = azul-blue-bleu

b = blanco-white-blanc

vi = violeta-violette-violet

am = amarillo-yellow-jaune

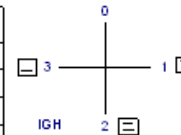
na = naranja-orange-orange

rs = rosa-rose-pink

ve = verde-green-vert

am/ve = amarillo/verde-yellow/green-jaune/vert

	1_2	3_4	5_6	7_8
	1a/2a	3a/4a	5a/6a	7a/8a
0				
1	X	X	X	X
2	X	X	X	X
3	X	X	X	X



U673054

Esquema teorico adhesivo		U-673054000				
Nº	Pieza	Cart.	Material	Nº Clasificación	Acabado	
Nº	Modificación	Propuesta de		Fecha	Tolerancias generales	
					$\le 3\pm$	50-100± :
					5-25± :	> 100± :
					25-50± :	$\infty\pm$
Elaborado	Firma	Fecha			Mechanizado superficial	
Proyectado	M. Mallab	01-11-2002				
Comprobado	<i>Leteg</i>				Fagor Industrial, Coop. E.L., Miraflores	
Escrito						
1/1	COCINAS HE9-10				Plano número HC-76539	
Plano homologado en el sistema de homologación FAGOR					Sustituye al N°	
					Sustituido por	