
DESPIECE TECNICO

Cocinas a Gas
Gas ranges
Fourneaux à gaz
Gas-herde
Cucine a gas
Fogão a gás

GAMA 900

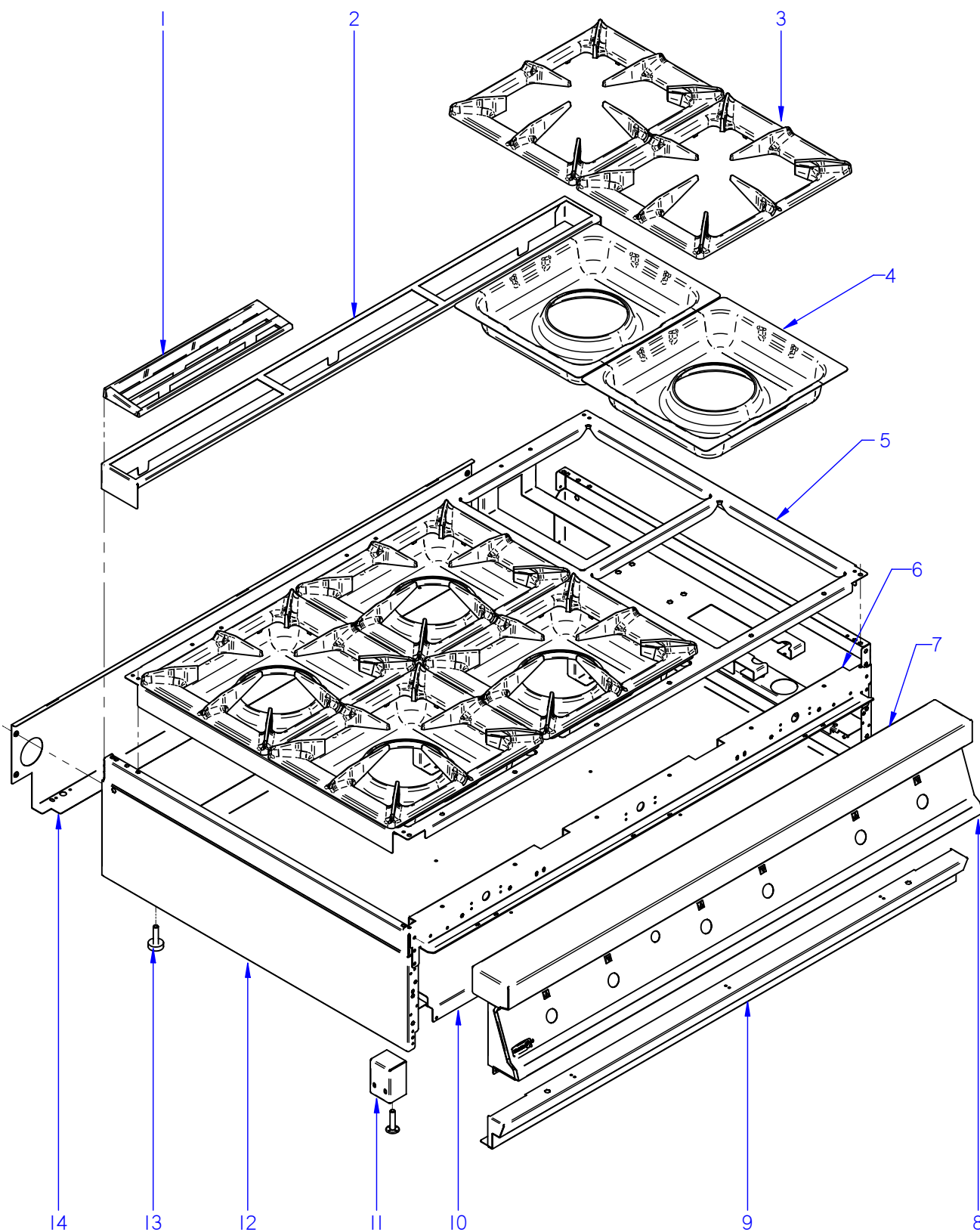
Modelos:

CG9-20 PLUS
CG9-40 PLUS
CG9-60 PLUS
CG9-41 PLUS
CG9-61 PLUS
CG9-82 PLUS
CGE9-41 PLUS

Octubre 2011 October
Revisado Mayo 2014 May Revised



F A G O R I N D U S T R I A L

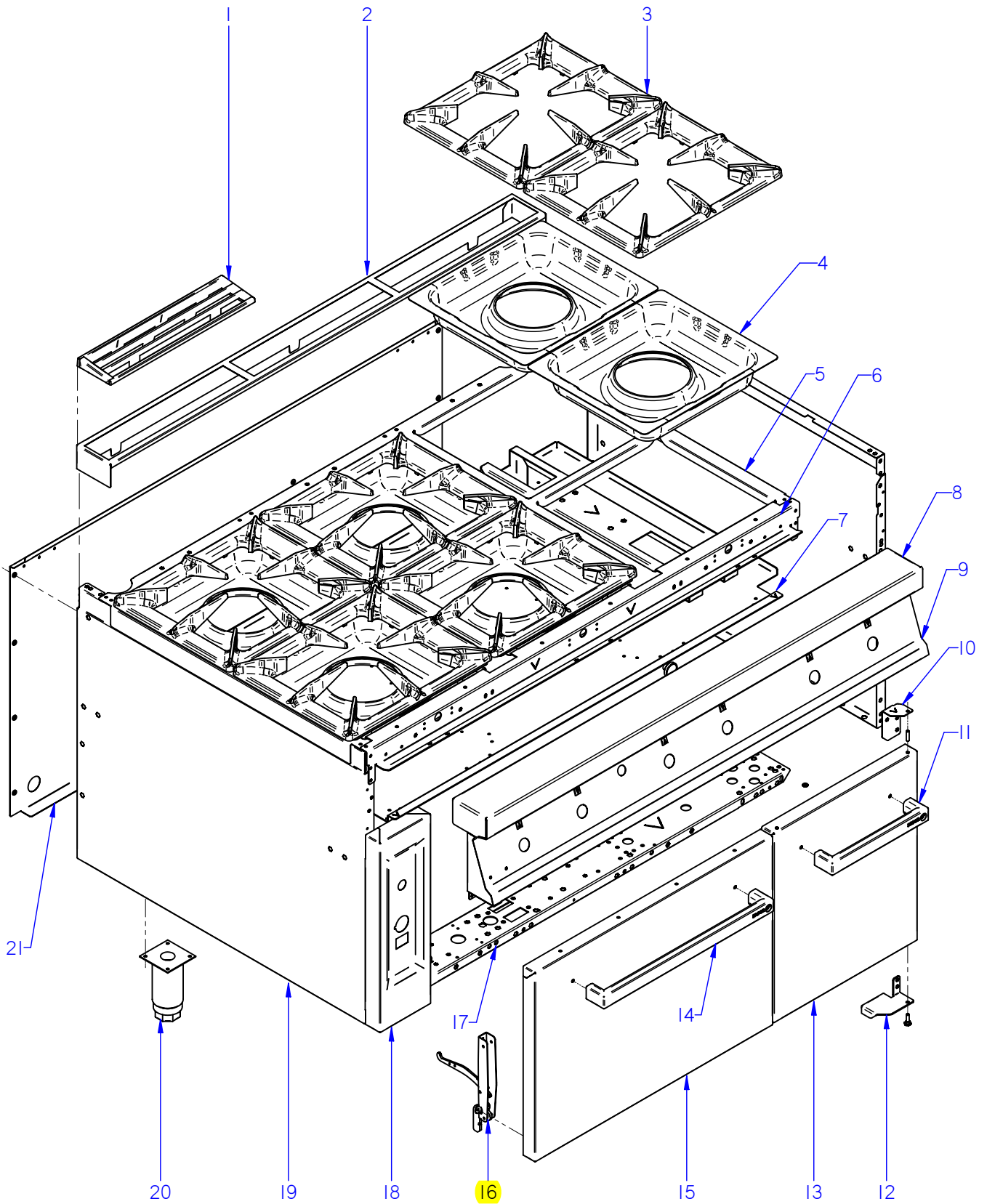


ITEM MARCADO EN COLOR = REPUESTO RECOMENDADO
 COLOURED ITEM = RECOMMENDED SPARE PART

Nº plano / N° plane	Firma	Fecha / Date	Denominación / Denomination: MUEBLE / FITTING	Lamina / Sheet	Fagor Industrial S.Coop. FAGOR
C-2860	<i>rene benfor</i>	2011-09	CG9-20 PLUS / 40 PLUS / 60 PLUS	1	Onate

MOD.	COCINAS / RANGES		ZONA / ZONE	MUEBLE / FITTING							PLANO DIAGRAM	C-2860	
ITEM	CODIGO REFERENCE	DENOMINACION	DENOMINATION	CG9-20 PLUS	CG9-40 PLUS	CG9-60 PLUS					ELIMINADO ELIMINATED	INTRODUCID. INTRODUCED	NOTAS
1	R205425000	EMBELLECEDOR ESMALTE	ENAMEL TRIM	1	2	3							
2	R205438000	SOPORTE EMBELLECEDOR 0,5 M	TRIM SUPPORT 0.5 M	1									
2	R205439000	SOPORTE EMBELLECEDOR 1 M	TRIM SUPPORT 1 M		1								
2	R205440000	SOPORTE EMBELLECEDOR 1,5 M	TRIM SUPPORT 1.5 M			1							
3	U035409000	PARRILLA GAMA 900	GRILL 900 RANGE	2	4	6							
4	U025473000	BACINETA QUEMADOR G900	BASIN BURNER G900	2	4	6							
5	U025474000	MESA 0,5 M G900	BENCH 0.5 M G900	1									
5	U025472000	MESA 1 M G900	BENCH 1 M G900		1								
5	U025475000	MESA 1,5 M G900	BENCH 1.5 M G900			1							
	Q152004000	TORNIL, APLASTADO M5x13 A304	FLAT HEADED BOLT M5x13 A304	8	10	12							
	Q221342000	REMACHE EXAGONAL M5	HEXAGONAL RIVET M5	2	4	6							
6	R042611000	ESCUA INTER AMAR ANTE 0,5 M	BRACKET INTER FASTE. FRONT	1									
6	U042610000	ESCUA INTER AMAR ANTE 1 M	BRACKET INTER FASTE. FRONT		1								
6	U962607000	ESCUA INTER AMAR ANTE 1,5 M	BRACKET INTER FASTE. FRONT			1							
	Q012032000	TORNILLO EXAGONAL M5x15	HEXAGONAL BOLT M5x15	6	6	6							
	Q152004000	TORNIL, APLASTADO M5x13 A304	FLAT HEADED BOLT M5x13 A304	4	6	9							
	Q302022000	ARANDELA 16x6x1,2 A304	WASHER 16x6x1.2 A304	4	6	9							
7	U965415000	ANTERIOR MESA 0,5 M AD	BENCH FRONT 0.5 M AD	1							03.10.11		
7	12006768	ANTERIOR MESA 0,5 M AD	BENCH FRONT 0.5 M AD	1							07.04.14	03.10.11	
7	12111162	ANTERIOR DE MESA 0.5M (AD)	BENCH FRONT 0.5 M AD	1								07.04.14	
7	S105403000	ANTERIOR MESA 1 M AD	BENCH FRONT 1 M AD		1						07.04.14		
7	12111159	ANTERIOR DE MESA.asm1M MEK	BENCH FRONT asm1M MECH.		1							07.04.14	
7	U965402000	ANTERIOR MESA 1,5 M AD	BENCH FRONT 1.5 M AD			1					30.11.12		
7	12007213	ANTERIOR MESA 1,5 M PLUS	BENCH FRONT 1.5 M PLUS			1					07.04.14	30.11.12	
7	12111157	ANTERIOR MESA 1,5M (AD) MEK	BENCH FRONT 1.5 M MECH.			1						07.04.14	
8	U042802000	PORTAMANDOS COM. CG9-20 AD	CONTROL HOLDER CG9-20 AD	1									
8	U962805000	PORTAMANDOS COM. CG9-40 AD	CONTROL HOLDER CG9-40 AD		1								
8	U962807000	PORTAMANDOS COM. CG9-60 AD	CONTROL HOLDER CG9-60 AD			1							
	U022836000	ESCUDO FAGOR	FAGOR EMBLEM	1	1	1							
	Q221023000	CLIP SUJECIÓN RÁPIDA Ø5	RAPID CONNECT CLIP Ø5	2	2	2							
9	R062805000	ZOCALO 0,5 M	SKIRTING 0.5 M	1									

MOD.		COCINAS / RANGES	ZONA / ZONE	MUEBLE / FITTING							PLANO DIAGRAM	C-2860		
ITEM	CODIGO REFERENCE	DENOMINACION	DENOMINATION	CG9-20 PLUS	CG9-40 PLUS	CG9-60 PLUS						ELIMINADO ELIMINATED	INTRODUCID. INTRODUCED	NOTAS
9	H352817000	ZOCALO BAÑO MARIA	BAIN MARIE SKIRTING		1									
9	U032809000	ZOCALO 1,5 M	SKIRTING 1.5 M			1								
	Q419005000	REMACHE 4x8 ALMG3 / ALUMINIO	RIVET 4X8 ALMG3 / ALUMINIUM	2	2	2								
10	U962646000	BASE CG9-20 AD	BASE CG9-20 AD	1										
10	U962623000	BASE CG9-40 AD	BASE CG9-40 AD		1									
10	U962639000	BASE CG9-60 AD	BASE CG9-60 AD			1								
	Q412000000	REMACHE TUBULAR 4X8	TUBULAR RIVET 4X8	5	12	19								
11	U962627000	ESCUADRA AMARRE PATA AD	LEG FASTENING BRACKET AD	2	2	2								
	Q162030000	TUERCA EXAGONAL M5	HEXAGONAL NUT M5	4	4	4								
	Q302022000	ARANDELA 16x6x1,2 A304	WASHER 16x6x1.2 A304	4	4	4								
	Q221345000	REMACHE EXAGONAL M10	HEXAGONAL RIVET M10	2	2	2								
12	R062811000	PANEL LATERAL IZQUIERDO G900	LEFT SIDE PANEL G900	1	1	1								
S/Nº	R062810000	PANEL LATERAL DERECHO G900	RIGHT SIDE PANEL G900	1	1	1								
	Q221342000	REMACHE EXAGONAL M5	HEXAGONAL RIVET M5	2	6	6								
	Q221343000	REMACHE EXAGONAL M6	HEXAGONAL RIVET M6	4	10	10								
13	Z200107000	PATA	LEG	4	4	4								
	Q221345000	REMACHE EXAGONAL M10	HEXAGONAL RIVET M10	4	4	4								
S/Nº	X010503000	CIERRE MUELLE	LOCK SPRING	3	4	6								
	Q419007000	REMACHE TUBULAR C/V Ø2x6	TUBULAR RIVET C/V Ø2x6	6	8	12								
14	R042838000	PANEL POSTERIOR 0,5 M	REAR PANEL 0.5 M	1										
14	U042805000	PANEL POSTERIOR 1 M	REAR PANEL 1 M		1									
14	U962644000	PANEL POSTERIOR 1,5 M	REAR PANEL 1.5 M			1								
	Q412000000	REMACHE TUBULAR 4X8	TUBULAR RIVET 4X8	4	4	4								
	Q302022000	ARANDELA 16x6x1,2 A304	WASHER 16x6x1.2 A304	4	4	4								

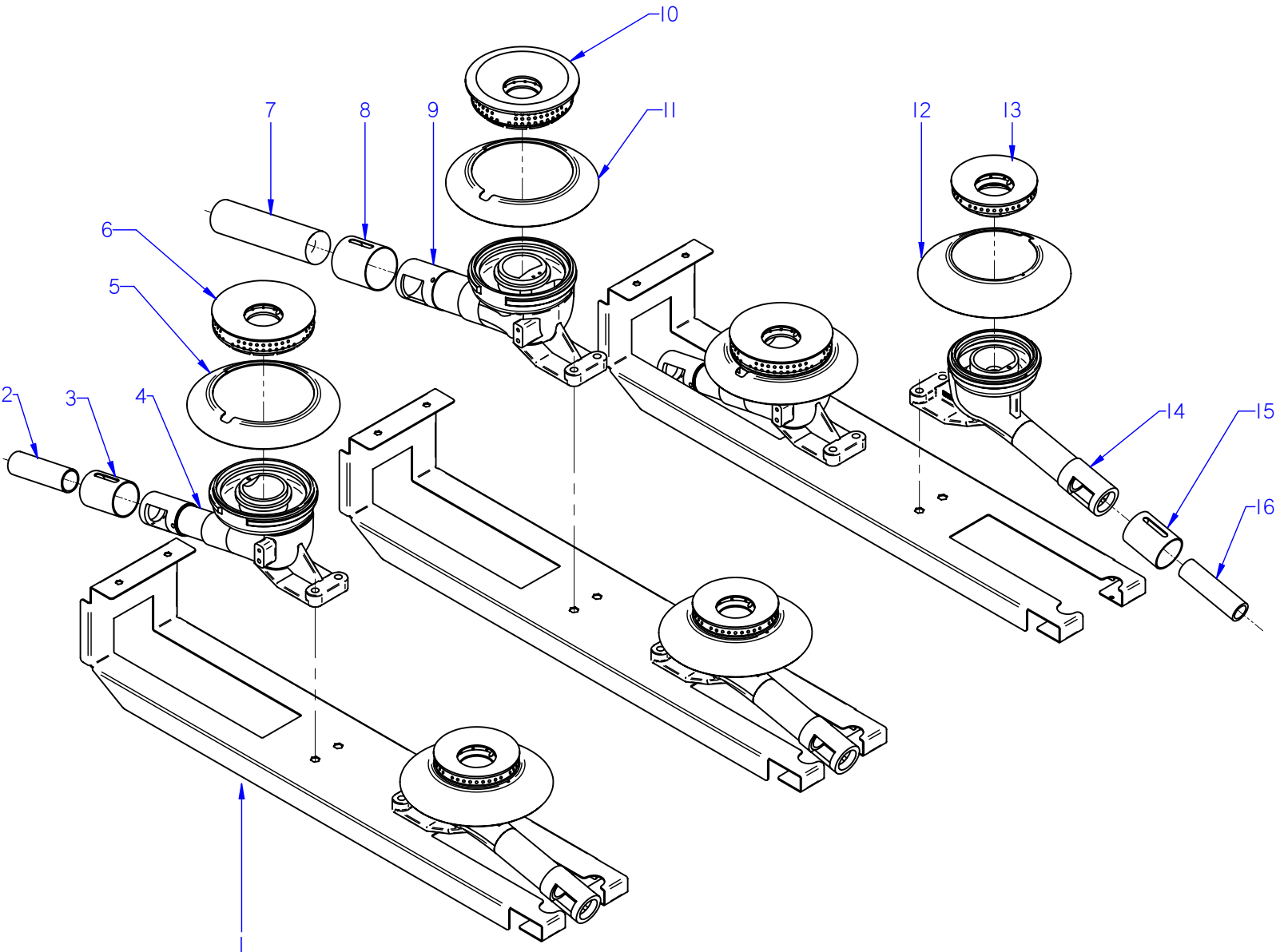


ITEM MARCADO EN COLOR = REPUESTO RECOMENDADO
 COLOURED ITEM = RECOMMENDED SPARE PART

Nº plano / N° plane	Firma	Fecha / Date	Denominación / Denomination:	MUEBLE / FITTING	Lamina / Sheet	Fagor Industrial S.Coop. FAGOR
C-2861	<i>[Signature]</i>	2011-09	COCINAS CG9-41/ 61/ 82 PLUS/ CGE9-41 PLUS	2	Oñate	

MOD.		COCINAS / RANGES	ZONA / ZONE	MUEBLE / FITTING								PLANO DIAGRAM	C-2861	
ITEM	CODIGO REFERENCE	DENOMINACION	DENOMINATION	CG9-41 PLUS	CG9-61 PLUS	CG9-82 PLUS	CGE9-41 PLUS					ELIMINADO ELIMINATED	INTRODUCID. INTRODUCED	NOTAS
1	R205425000	EMBELLECEDOR ESMALTE	ENAMEL TRIM	2	3	4	2							
2	R205439000	SOPORTE EMBELLECEDOR 1 M	TRIM SUPPORT 1 M	1		2	1							
2	R205440000	SOPORTE EMBELLECEDOR 1,5 M	TRIM SUPPORT 1.5 M		1									
3	U035409000	PARRILLA GAMA 900	GRILL 900 RANGE	4	6	8	4							
4	U025473000	BACINETA QUEMADOR G900	BASIN BURNER G900	4	6	8	4							
5	U025472000	MESA 1 M G900	BENCH 1 M G900	1		2	1							
5	U025475000	MESA 1,5 M G900	BENCH 1.5 M G900		1									
	Q152004000	TORNIL, APLASTADO M5x13 A304	FLAT HEADED BOLT M5x13 A304	10	12	20	10							
	Q221342000	REMACHE EXAGONAL M5	HEXAGONAL RIVET M5	4	6	8	4							
6	U042610000	ESCUA INTER AMAR ANTE 1 M	BRACKET INTER FASTE. FRONT	1		2	1							
6	U962607000	ESCUA INTER AMAR ANTE 1,5 M	BRACKET INTER FASTE. FRONT		1									
	Q221342000	REMACHE EXAGONAL M5	HEXAGONAL RIVET M5	4	6	8	4							
	Q012032000	TORNILLO EXAGONAL M5x15	HEXAGONAL BOLT M5x15	4	6	8	4							
	Q152004000	TORNIL, APLASTADO M5x13 A304	FLAT HEADED BOLT M5x13 A304	6	6	12	6							
	Q302022000	ARANDELA 16x6x1,2 A304	WASHER 16x6x1.2 A304	6	6	12	6							
7	U962657000	BASE BANDEJAS 1 M AD	TRAY BASE 1 M AD	1		2	1							
7	U962604000	BASE BANDEJAS 1,5 M	TRAY BASE 1.5 M		1									
	Q419005000	REMACHE 4x8 ALMG3 / ALUMINIO	RIVET 4X8 ALMG3 / ALUMINIUM	2	2	4	2							
	Q152004000	TORNIL, APLASTADO M5x13 A304	FLAT HEADED BOLT M5x13 A304	3	3	6	3							
8	S105403000	ANTERIOR MESA 1 M AD	BENCH FRONT 1 M AD	1			1							
8	12111159	ANTERIOR DE MESA.asm1M MEK	BENCH FRONT asm1M MECH.	1			1						07.04.14	
8	U965402000	ANTERIOR MESA 1,5 M AD	BENCH FRONT 1.5 M AD		1							30.11.12		
8	12007213	ANTERIOR MESA 1,5 M PLUS	BENCH FRONT 1.5 M PLUS		1							07.04.14	30.11.12	
8	12111157	ANTERIOR MESA 1,5M (AD) MEK	BENCH FRONT 1.5 M MECH.		1								07.04.14	
8	U965420000	ANTERIOR MESA 2 M AD	BENCH FRONT 2 M AD			1						07.04.14		
8	12111163	ANTERIOR DE MESA 2M (AD) MEK	BENCH FRONT 2 M AD MECH.			1							07.04.14	
	Q152004000	TORNIL, APLASTADO M5x13 A304	FLAT HEADED BOLT M5x13 A304	2	3	4	2							
	Q302022000	ARANDELA 16x6x1,2 A304	WASHER 16x6x1.2 A304	2	3	4	2							
9	U962830000	PORTAMANDOS COM. CG9-41 AD	CONTROL HOLDER CG9-41 AD	1			1							
9	U962802000	PORTAMANDOS COM. CG9-61 AD	CONTROL HOLDER CG9-61 AD		1									
9	U962821000	PORTAMANDOS COM. CG9-82 AD	CONTROL HOLDER CG9-82 AD			1								

MOD.		COCINAS / RANGES	ZONA / ZONE	MUEBLE / FITTING				PLANO DIAGRAM	C-2861				
ITEM	CODIGO REFERENCE	DENOMINACION	DENOMINATION	CG9-41 PLUS	CG9-61 PLUS	CG9-82 PLUS	CGE9-41 PLUS				ELIMINADO ELIMINATED	INTRODUCID. INTRODUCED	NOTAS
	U022836000	ESCUDO FAGOR	FAGOR EMBLEM	1	1	1	1						
	Q221023000	CLIP SUJECIÓN RÁPIDA Ø5	RAPID CONNECT CLIP Ø5	2	2	2	2						
	Q152004000	TORNIL, APLASTADO M5x13 A304	FLAT HEADED BOLT M5x13	4	2	8	4						
10	U962613000	BISAGRA SUPERIOR DERECHA	UPPER RIGHT HINGE	-	1	-	-						
	Q221342000	REMACHE EXAGONAL M5	HEXAGONAL RIVET M5	-	2	-	-						
11	Z710558000	ASA CAPOTA AD	AD HOOD HANDLE	-	1	-	-						
	Q162040000	TUERCA EXAGONAL M6	HEXAGONAL NUT M6	-	2	-	-						
	Q302022000	ARANDELA 16x6x1,2 A304	WASHER 16x6x1.2 A304	-	2	-	-						
12	U020511000	BISAGRA DERECHA INFERIOR	LOWER RIGHT HINGE	-	1	-	-						
	Q232040000	ARANDELA A6	WASHER A6	-	1	-	-						
	X960504000	TORNILLO DE GIRO M8	ROTATION BOLT M8	-	1	-	-						
	Q012042000	TORNILLO EXAGONAL M6x15 A304	HEXAGONAL BOLT M6x15 A304	-	2	-	-						
	Q302022000	ARANDELA 16x6x1,2 A304	WASHER 16x6x1.2 A304	-	2	-	-						
13	U960501000	PUERTA LATERAL AD	SIDE DOOR AD	-	1	-	-						
	Q419005000	REMACHE 4x8 ALMG3 / ALUMINIO	RIVET 4X8 ALMG3 / ALUMINIUM	-	4	-	-						
14	Z900527000	ASA	HANDLE	1	1	2	1						
	Q012041000	TORNILLO EXAGONAL M6x10	HEXAGONAL BOLT M6x10	2	2	4	2						
	Q302022000	ARANDELA 16x6x1,2 A304	WASHER 16x6x1.2 A304	2	2	4	2						
	12038310	KIT PUERTA HORNO	OVEN DOOR KIT	1	1	2	1						
15	U910501000	PUERTA DE HORNO	OVEN DOOR	1	1	2	1						
16	U020528000	BISAGRA CIERRE HORNO	OVEN LOCK HINGE	2	2	4	2						
	Q152022000	TORNILLO M6x8	BOLT M6x8	6	6	12	6						
17	U962622000	LISTON SOPORTE PATAS 1 M AD	LEG SUPPORT STRIP 1 M AD	2	-	-	2						
17	U962601000	LISTON SOPORTE PATAS 1,5 M AD	LEG SUPPORT STRIP 1.5 M AD	-	2	-	-						
17	U962667000	LISTON SOPORTE PATAS 2 M AD	LEG SUPPORT STRIP 2 M AD	-	-	2	-						
18	U962829000	PORTAMAN. LATERAL HORNO AD	OVEN SIDE CONTROL HOLDER	1	1	2	-				01,10,12		
18	12046661	PORTAM. LAT. HORNO PLUS MEK	OVEN SIDE CONTROL HOLDER	1	1	2	-					01,10,12	
18	U962832000	PORTAM.LATERAL HORNO EL. AD	OVEN SIDE CONTROL HOLDER	-	-	-	1						
	Q152004000	TORNIL, APLASTADO M5x13 A304	FLAT HEADED BOLT M5x13 A304	2	2	4	2						

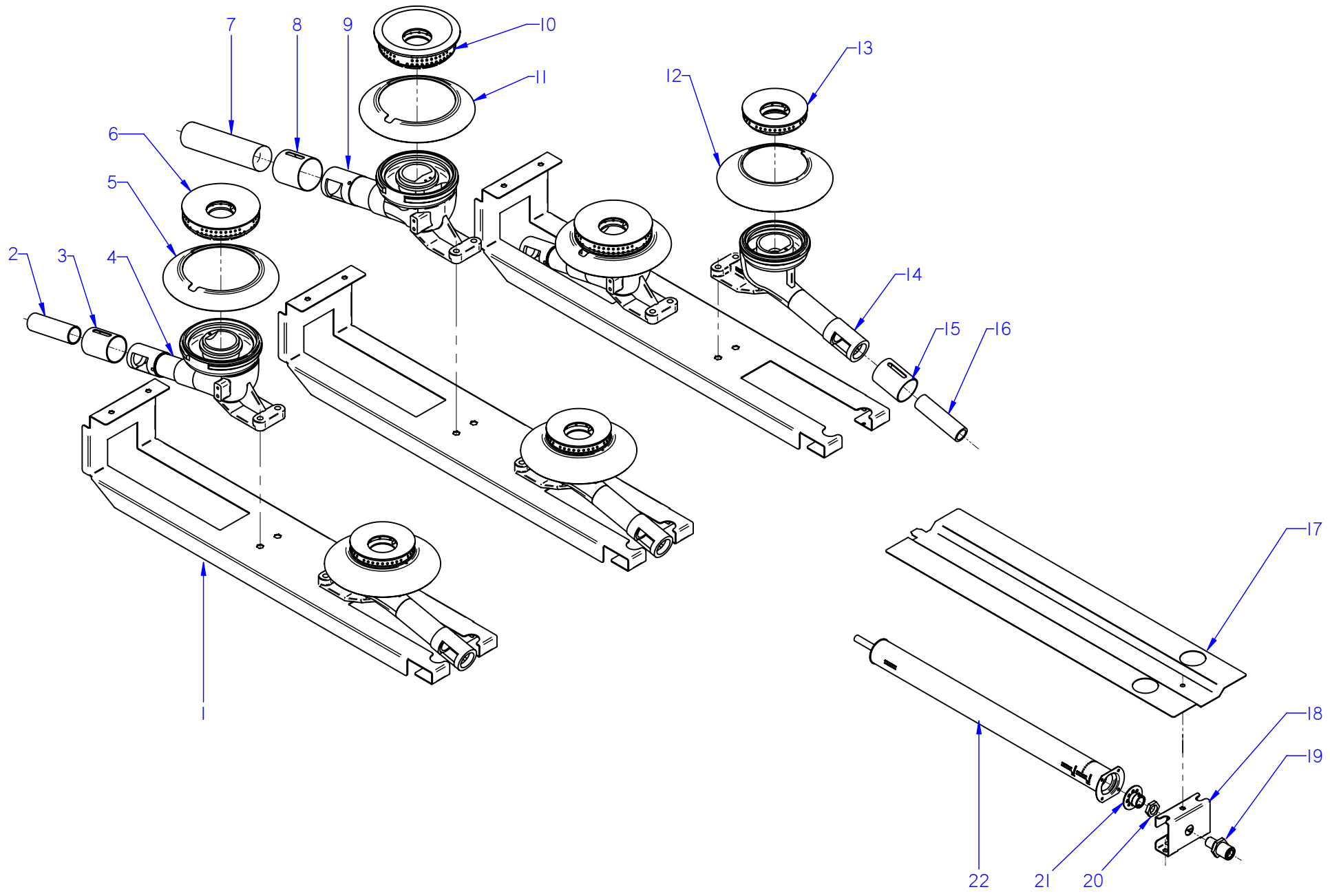


ITEM MARCADO EN COLOR = REPUESTO RECOMENDADO
 COLOURED ITEM = RECOMMENDED SPARE PART

Nº plano / N° plane	Fecha / Date	Denominación / Denomination:	Laminas / Sheet
C-2862	2011-09	COCINAS CG9-20/ 40/ 60 PLUS/ CGE9-41 PLUS	3
Firma		QUEMADORES / BURNERS	Fagor Industrial S. Coop. FAGOR
			Onate

MOD.	COCINAS / RANGES		ZONA / ZONE	QUEMADORES / BURNERS							PLANO DIAGRAM	C-2862		
ITEM	CODIGO REFERENCE	DENOMINACION	DENOMINATION	CG9-20 PLUS	CG9-40 PLUS	CG9-60 PLUS	CGE9-41 PLUS	CG9-20 PLUS H	CG9-40 PLUS H	CG9-60 PLUS H		ELIMINADO ELIMINATED	INTRODUCID. INTRODUCED	NOTAS
1	U962606000	LISTON SOP. QUEMADOR AD	BURNER SUPPORT STRIP	2	2	3	2	2	2	3				
	Q221343000	REMACHE EXAGONAL M6	HEXAGONAL RIVET M6	8	8	12	8	8	8	12				
	Q412000000	REMACHE TUBULAR 4X8	TUBULAR RIVET 4X8	8	8	12	8	8	8	12				
2	U565700000	VENTURI QUEMADOR 8000	VENTURI BURNER 8000	1	1	2	1	1	3	5				
3	U265702000	REGULADOR AIRE	AIR CONTROLLER	1	1	2	1	1	3	5				
	Q132054000	VARILLA ROSCADA M6 x 12	THREADED ROD M6 x 12	1	1	2	1	1	3	5				
	Q162004000	TUERCA EXAGONAL M6	HEXAGONAL NUT M6	1	1	2	1	1	3	5				
4	U025710000	CUERPO QUEMADOR 8000 Kcal/H	BURNER BODY 8000 Kcal/h	1	1	2	1	1	3	5				
5	U915703000	PROTEC. PILOTO QUEMAD. 7000	BURNER PILOT GUARD 7000	1	1	2	1	1	3	5				
	Q372004000	PASADOR ELASTICO 5x20	ELASTIC PIN 5x20	2	2	4	4	2	6	10				
6	U135702500	QUEMADOR 8000	BURNER 8000	1	1	2	1	1	3	5				
	Q371026000	MANGUITO DE SUJECION Ø 4x14	HANDLE Ø 4x14	1	1	2	1	1	3	5				
	Q012045000	TORNILLO EXAGONAL M6x30 A304	HEXAGONAL BOLT M6x30 A304	1	1	2	1	1	3	5				
	Q302022000	ARANDELA 16x6x1,2 A304	WASHER 16x6x1.2 A304	1	1	2	1	1	3	5				
	U565011000	TUERCA GUIA	GUIDE NUT	1	1	2	1	1	1	1				
7	U235707000	VENTURI 10.500	VENTURI 10,500	—	1	1	1	1	1	1				
8	U025706000	REGULADOR DE AIRE 10.000	AIR CONTROL 10.000	—	1	1	1	1	1	1				
	Q132054000	VARILLA ROSCADA M6x12	THREADED ROD M6X12	—	1	1	1	1	1	1				
	Q162004000	TUERCA EXAGONAL M6	HEXAGONAL NUT M6	—	1	1	1	1	1	1				
9	U025711000	CUERPO QUEMADOR 10.000Kcal/H	BURNER BODY 10,000 Kcal/H	—	1	1	1	1	1	1				
	Q371028000	MANGUITO DE SUJECION Ø 3x14	HANDLE Ø 3x14	—	2	2	2	1	1	1				
10	U235701500	DIFUSOR 10.500 Kcal/H	DIFFUSER 10.500 Kcal/H	—	1	1	1	1	1	1		21,10,12		
10	12047137	DIFUSOR 10.500 Kcal/H	DIFFUSER 10.500 Kcal/H	—	1	1	1	1	1	1			21,10,12	
	Q012045000	TORNILLO EXAGONAL M6x30 A304	HEXAGONAL BOLT M6x30 A304	—	1	1	1	1	1	1				
11	U915703000	PROTEC. PILOTO QUEMAD. 7000	BURNER PILOT GUARD 7000	—	1	1	1	1	1	1				
	Q372004000	PASADOR ELASTICO 5x20	ELASTIC PIN 5x20	—	2	2	4	2	1	2				
12	U025712000	PROTEC. PILOTO QUEMAD. 4000	BURNER PILOT GUARD 4000	1	2	3	2	—	—	—				
13	U445731000	QUEMADOR 4000 (00545-010)	BURNER 4000 (00545-010)	1	2	3	2	—	—	—		26,08,12		
13	12039162	QUEMADOR 4000 Kcal/H	BURNER 4000 Kcal/H	1	2	3	2	—	—	—			26,08,12	
	Q012045000	TORNILLO EXAGONAL M6x30 A304	HEXAGONAL BOLT M6x30 A304	1	2	3	2	—	—	—				
	Q302022000	ARANDELA 16x6x1,2 A304	WASHER 16x6x1.2 A304	1	2	3	2	—	—	—				

C-2863	Firma	2011-09	COCINA CG9-41 / CG9-61 / CG9-82 PLUS	4	Fagor Industrial S. Coop. FAGOR
ITEM MARCADO EN COLOR = REPUESTO RECOMENDADO COLOURED ITEM = RECOMMENDED SPARE PART	Nº plano / N° plane	Fecha / Date	Denominación / Denomination: QUEMADORES / BURNERS	Lamina / Sheet	Oñate

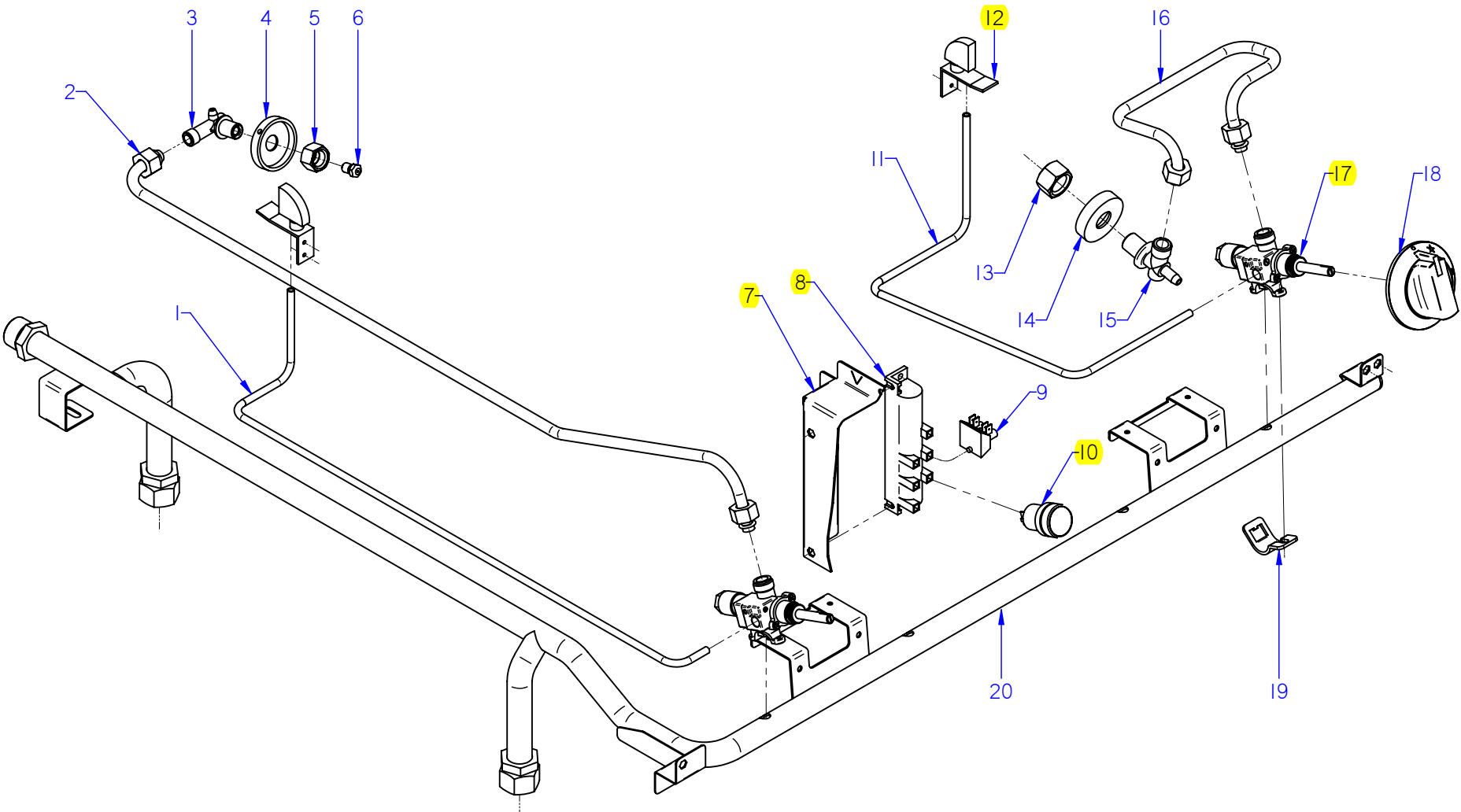


ITEM MARCADO EN COLOR = REPUESTO RECOMENDADO
COLOURED ITEM = RECOMMENDED SPARE PART

MOD.		COCINAS / RANGES	ZONA / ZONE	QUEMADORES / BURNERS					PLANO DIAGRAM	C-2863				
ITEM	CODIGO REFERENCE	DENOMINACION	DENOMINATION	CG9-41 PLUS	CG9-61 PLUS	CG9-82 PLUS	CG9-41 PLUS H	CG9-61 PLUS H				ELIMINADO ELIMINATED	INTRODUCID. INTRODUCED	NOTAS
1	U962606000	LISTON SOP. QUEMADOR AD	BURNER SUPPORT STRIP	2	3	4	2	3						
	Q221343000	REMACHE EXAGONAL M6	HEXAGONAL RIVET M6	8	12	16	8	12						
	Q412000000	REMACHE TUBULAR 4X8	TUBULAR RIVET 4X8	8	12	16	8	12						
2	U565700000	VENTURI QUEMADOR 8000	VENTURI BURNER 8000	1	2	2	3	5						
3	U265702000	REGULADOR AIRE	AIR CONTROLLER	1	2	2	3	5						
	Q132054000	VARILLA ROSCADA M6 x 12	THREADED ROD M6 x 12	1	2	2	3	5						
	Q162004000	TUERCA EXAGONAL M6	HEXAGONAL NUT M6	1	2	2	3	5						
4	U025710000	CUERPO QUEMADOR 8000 Kcal/H	BURNER BODY 8000 Kcal/h	1	2	2	3	5						
5	U915703000	PROTEC. PILOTO QUEMAD. 7000	BURNER PILOT GUARD 7000	1	2	2	3	5						
	Q372004000	PASADOR ELASTICO 5x20	ELASTIC PIN 5x20	4	6	4	6	10						
6	U135702500	QUEMADOR 8000	BURNER 8000	1	2	2	3	5						
	Q371026000	MANGUITO DE SUJECION Ø 4x14	HANDLE Ø 4x14	1	2	2	3	5						
7	U235707000	VENTURI 10.500	VENTURI 10,500	1	1	2	1	1						
8	U025706000	REGULADOR DE AIRE 10.000	AIR CONTROL 10.000	1	1	2	1	1						
	Q132054000	VARILLA ROSCADA M6x12	THREADED ROD M6X12	1	1	2	1	1						
	Q162004000	TUERCA EXAGONAL M6	HEXAGONAL NUT M6	1	1	2	1	1						
9	U025711000	CUERPO QUEMADOR 10.000Kcal/H	BURNER BODY 10,000 Kcal/H	1	1	2	1	1						
	Q371028000	MANGUITO DE SUJECION Ø 3x14	HANDLE Ø 3x14	2	2	4	1	1						
10	U235701500	DIFUSOR 10.500 Kcal/H	DIFFUSER 10.500 Kcal/H	1	1	2	1	1				21,10,12		
10	12047137	DIFUSOR 10.500 Kcal/H	DIFFUSER 10.500 Kcal/H	1	1	2	1	1					21,10,12	
	Q012045000	TORNILLO EXAGONAL M6x30 A304	HEXAGONAL BOLT M6x30 A304	1	1	2	1	1						
	Q302022000	ARANDELA 16x6x1,2 A304	WASHER 16x6x1.2 A304	1	1	2	1	1						
11	U915703000	PROTEC. PILOTO QUEMAD. 7000	BURNER PILOT GUARD 7000	1	1	2	1	1						
	Q372004000	PASADOR ELASTICO 5x20	ELASTIC PIN 5x20	4	2	4	1	2						
12	U025712000	PROTEC. PILOTO QUEMAD. 4000	BURNER PILOT GUARD 4000	2	3	4	-	-						
13	U445731000	QUEMADOR 4000 (00545-010)	BURNER 4000 (00545-010)	2	3	4	-	-				26,08,12		
13	12039162	QUEMADOR 4000 Kcal/H	BURNER 4000 Kcal/H	2	3	4	-	-					26,08,12	
14	U025709000	CUERPO QUEMADOR 4000Kcal/H	BURNER BODY 4000 Kcal/H	2	3	4	-	-						
	Q371026000	MANGUITO DE SUJECION Ø 4x14	HANDLE Ø 4x14	2	3	4	-	-						

Nº plano / N° plane	Fecha / Date	Denominación / Denomination	Laminas / Sheet
C-2864	2011-09	COCCINAS CG9-20/ 40/ 60 PLUS/ CGE9-41 PLUS	5
Firma 		Denominación / Denomination: PARTE FUNCIONAL / FUNCTIONAL PART COCINAS CG9-20/ 40/ 60 PLUS/ CGE9-41 PLUS	Fagor Industrial S. Coop. FAGOR 

ITEM MARCADO EN COLOR = REPUESTO RECOMENDADO
 COLOURED ITEM = RECOMMENDED SPARE PART

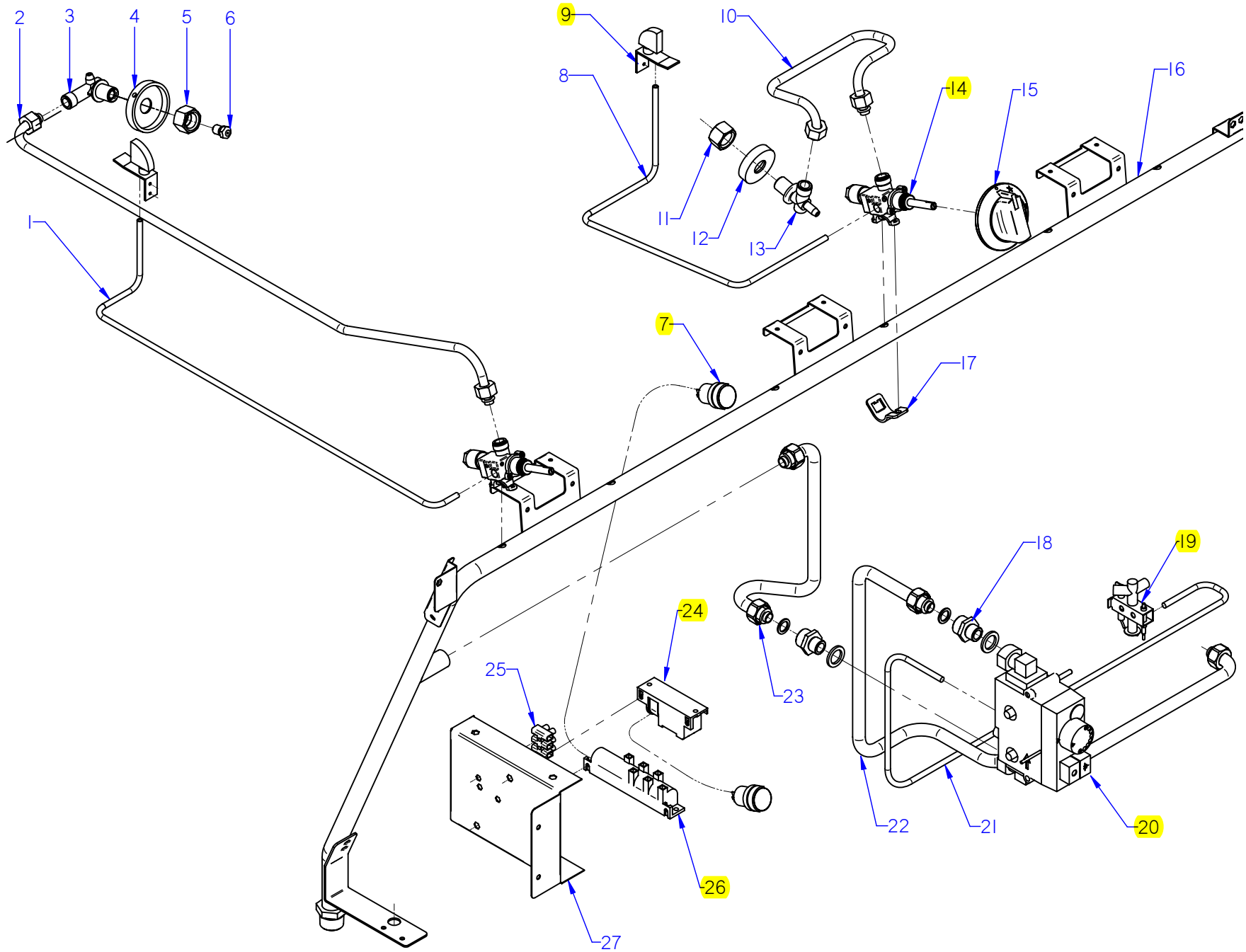


MOD.		COCINAS / RANGES	ZONA / ZONE	PARTE FUNCIONAL / FUNCTIONAL PART							PLANO DIAGRAM	C-2864		
ITEM	CODIGO REFERENCE	DENOMINACION	DENOMINATION	CG9-20 PLUS	CG9-40 PLUS	CG9-60 PLUS	CGE9-41 PLUS	CG9-20 PLUS H	CG9-40 PLUS H	CG9-60 PLUS H		ELIMINADO ELIMINATED	INTRODUCID. INTRODUCED	NOTAS
1	U965002000	TUBO PILOTO POSTERIOR AD	REAR PILOT PIPE AD	1	2	3	2	1	2	3				
S/Nº	S312107000	MANGUITO TUBO PILOTO	PILOT PIPE HOSE	2	4	6	4	2	4	6				
S/Nº	X205028000	BICONO Ø 6	BICONE Ø 6	1	2	3	2	1	2	3				
2	U965005000	CON. QUEMADOR POSTERIOR AD	REAR BURNER UNIT COMP.	1	2	3	2	1	2	3				
3	U915014000	PORTATOBERAS HORNO	OVEN NOZZLE HOLDER	1	2	3	2	1	2	3				
	Q153002000	TORNILLO TAPON	CAP BOLT	1	2	3	2	1	2	3				
4	U022620000	POSICIONADOR PORTATOB. G900	NOZZLE-HOLDER POSITION. G90	—	1	1	1	1	1	1				
5	U235703000	TUERCA GUIA 10.500	NUT GUIDE 10,500	—	1	1	1	1	1	1				
6	U122407000	TOBERA Ø 1,05 BP (4000)	NOZZLE Ø 1.05 BP (4000)	1	2	3	2	—	—	—				
6	R302400000	TOBERA Ø 1,65 GN (4000)	NOZZLE Ø 1.65 GN (4000)	1	2	3	2	—	—	—				
6	0631000000	TOBERA Ø 1,40 BP (8000)	NOZZLE Ø 1.40 BP (8000)	1	1	2	1	1	3	5				
6	U112402000	TOBERA Ø 2,10 GN (8000)	NOZZLE Ø 2,10 GN (8000)	1	1	2	1	1	3	5				
6	U112401000	TOBERA Ø 1,55 BP (10500)	NOZZLE Ø 1.55 BP (10500)	—	1	1	1	1	1	1				
6	0631600000	TOBERA Ø 2,40 GN (10500)	NOZZLE Ø 2.40 GN (10500)	—	1	1	1	1	1	1				
7	U962668000	CAJA TREN CHISPA 920 SOLD	TRAIN SPARK BOX 920 SOLD	1	—	—	—	1	—	—				
7	U962669000	CAJA TREN CHISPA SOLD AD	TRAIN SPARK BOX SOLD AD	—	1	1	—	—	1	1		31,10,11		
7	12038838	CAJA TREN CHISPA CG AD	TRAIN SPARK BOX CG AD	—	1	1	—	—	1	1			31,10,11	
	Q012031000	TORNILLO EXAGONAL M5x10	HEXAGONAL BOLT M5x10	2	2	2	2	2	2	2				
8	X163014000	ENCENDEDOR PARA 2 BUJIAS	LIGHTER FOR 2 PLUGS	1	—	—	—	1	—	—				
8	U963001000	TREN DE CHISPAS 6	TRAIN SPARKS 6	—	1	1	1	—	1	1				
9	Z713035000	REGLETA 6MM	C6MM STRIP	1	1	1	1	1	1	1				
10	T723009000	PULSADOR SERIE MICRO	MICRO SWITCH SERIES	1	1	1	1	1	1	1				
11	U965001000	TUBO PILOTO ANTERIOR AD	FRONT PILOT PIPE AD	1	2	3	2	1	2	3				
S/Nº	S312107000	MANGUITO TUBO PILOTO	PILOT PIPE HOSE	2	4	6	4	2	4	6				
S/Nº	U962108000	BICONO Ø 6	BICONE Ø 6	1	2	3	2	1	2	3				

MOD.		COCINAS / RANGES	ZONA / ZONE	PARTE FUNCIONAL / FUNCTIONAL PART								PLANO DIAGRAM	C-2864	
ITEM	CODIGO REFERENCE	DENOMINACION	DENOMINATION	CG9-20 PLUS	CG9-40 PLUS	CG9-60 PLUS	CGE9-41 PLUS	CG9-20 PLUS H	CG9-40 PLUS H	CG9-60 PLUS H		ELIMINADO ELIMINATED	INTRODUCID. INTRODUCED	NOTAS
12	U962109000	PILOTO COMPLETO	S140(0140028) PILOT UNIT	2	4	6	4	2	4	6				
S/Nº	U962107000	INYECTOR LPG	INJECTOR LPG	2	4	6	4	2	4	6		23,11,11		
S/Nº	12041740	INYECTOR LPG	INJECTOR LPG	2	4	6	4	2	4	6			23,11,11	
S/Nº	U962106000	INYECTOR NG	INJECTOR NG	2	4	6	4	2	4	6				
S/Nº	U962101000	TERMOPAR 1500	THERMOCOUPLE 1500	1	2	3	2	1	2	3				
S/Nº	U962102000	TERMOPAR 600	THERMOCOUPLE 600	1	2	3	2	1	2	3				
S/Nº	X012101000	BUJIA 915.037	SPARK PLUG	2	4	6	4	2	4	6				
S/Nº	S312107000	MANGUITO TUBO PILOTO	PILOT PIPE HOSE	4	8	12	8	4	8	12				
13	U565011000	TUERCA GUIA	NUT GUIDE	2	3	5	3	1	3	5				
14	U022619000	POSICIONADOR PORTATOB. 4000	NOZZLE-HOLDER POSITIO. 4000	2	3	5	3	1	3	5				
15	U265033000	PORTATOVERAS Ø10	NOZZLE HOLDER Ø10	1	2	3	2	1	2	3				
	Q153002000	TORNILLO TAPON	CAP BOLT	1	2	3	2	1	2	3				
16	U965003000	CONduc. QUEMADOR ANTERI. AD	FRONT BURNER PIPE AD	1	2	3	2	1	2	3				
17	U912115000	GRIFO 18700 BY-PASS 0,75	TAP 18700 BY-PASS 0.75	1	2	3	2	-	-	-				
17	U912109000	GRIFO 18700 BY-PASS 1,15	TAP 18700 BY-PASS 1.15	1	1	2	1	1	3	5				
17	U912117000	GRIFO 18700 BY-PASS 1,45	TAP 18700 BY-PASS 1.45	-	1	1	1	1	1	1				
18	U022117000	MANDO MONT COCINA GAS Ø8	GAS COOK. ASSEMBLY CTRL Ø8	2	4	6	4	2	4	6				
19	U912104000	BRIDA AMARRE GRIFO 1/2"	TAP FASTENING FLANGE 1/2"	2	4	6	4	2	4	6				
	Q122032000	TORNILLO ALLEN M5x15	ALLEN BOLT M5x15	2	4	6	4	2	4	6				
20	U015010000	DISTRIBUIDOR COMPLET. CG9-20	COMPL. DISTRIBUTOR CG9-20	1	-	-	-	1	-	-				
20	U025042000	DISTRIBUIDOR COMPLET. CG9-40	COMPL. DISTRIBUTOR CG9-40	-	1	-	-	-	1	-				
20	U075004000	DISTRIBUIDOR COMPLET. CG9-60	COMPL. DISTRIBUTOR CG9-60	-	-	1	-	-	-	1				
20	U225003000	DISTRIBUIDOR COMPLE. CGE9-41	COMPL. DISTRIBUTOR CGE9-41	-	-	-	1	-	-	-				

Nº plano/ N° plane	Fecha / Date	Denominación / Denomination:	Parte Funcional / Functional Part	Laminas / Sheet	Fagor Industrial S. Coop. FAGOR
C-2865	2011-09	COCINA CG9-41 / CG9-61 / CG9-82 PLUS	PARTE FUNCIONAL / FUNCTIONAL PART	6	Onate
Firma 					

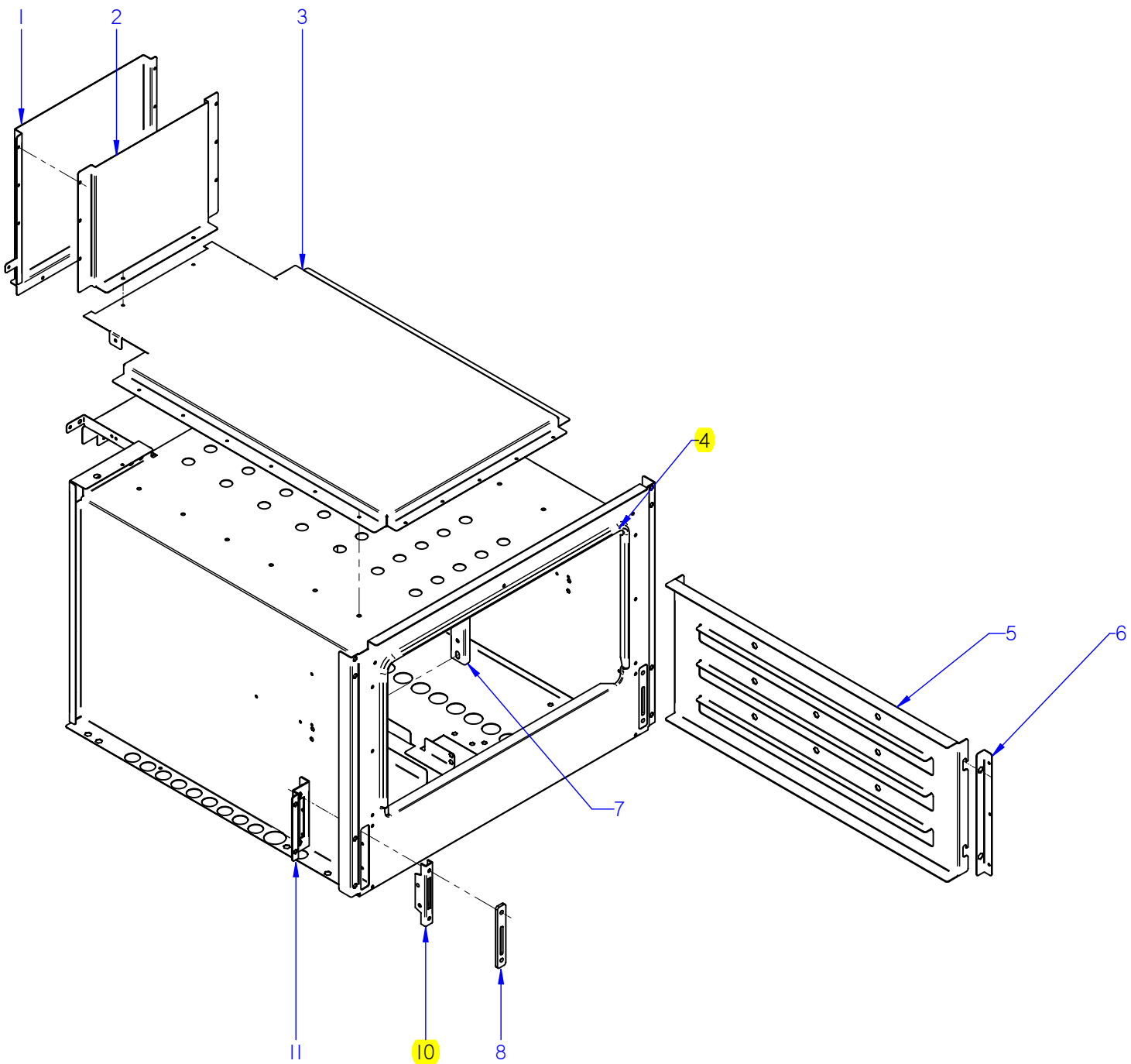
ITEM MARCADO EN COLOR = REPUESTO RECOMENDADO
 COLOURED ITEM = RECOMMENDED SPARE PART



MOD.		COCINAS / RANGES	ZONA / ZONE	PARTE FUNCIONAL / FUNCTIONAL PART					PLANO DIAGRAM	C-2865				
ITEM	CODIGO REFERENCE	DENOMINACION	DENOMINATION	CG9-41 PLUS	CG9-61 PLUS	CG9-82 PLUS	CG9-41 PLUS H	CG9-61 PLUS H				ELIMINADO ELIMINATED	INTRODUCID. INTRODUCED	NOTAS
1	U965002000	TUBO PILOTO POSTERIOR AD	REAR PILOT PIPE AD	2	3	4	2	3						
S/Nº	S312107000	MANGUITO TUBO PILOTO	PILOT PIPE HOSE	4	6	8	4	6						
S/Nº	X205028000	BICONO Ø 6	BICONE Ø 6	2	3	4	2	3						
2	U965005000	CON. QUEMADOR POSTERIOR AD	REAR BURNER UNIT COMP.	2	3	4	2	3						
3	U915014000	PORTATOVERAS HORNO	OVEN NOZZLE HOLDER	2	3	4	2	3						
	Q153002000	TORNILLO TAPON	CAP BOLT	4	6	8	4	6						
4	U022620000	POSICIONADOR PORTATOB. G900	NOZZLE-HOLDER POSITION. G900	1	1	2	1	1						
5	U235703000	TUERCA GUIA 10.500	NUT GUIDE 10,500	1	1	2	1	1						
6	U122407000	TOBERA Ø 1,05 BP (4000)	NOZZLE Ø 1.05 BP (4000)	2	3	4	-	-						
6	R302400000	TOBERA Ø 1,65 GN (4000)	NOZZLE Ø 1.65 GN (4000)	2	3	4	-	-						
6	0631000000	TOBERA Ø 1,40 BP (8000)	NOZZLE Ø 1.40 BP (8000)	1	2	2	3	5						
6	U112402000	TOBERA Ø 2,10 GN (8000)	NOZZLE Ø 2,10 GN (8000)	1	2	2	3	5						
6	U112401000	TOBERA Ø 1,55 BP (10500)	NOZZLE Ø 1.55 BP (10500)	1	1	2	1	1						
6	0631600000	TOBERA Ø 2,40 GN (10500)	NOZZLE Ø 2.40 GN (10500)	1	1	2	1	1						
7	T723009000	PULSADOR SERIE MICRO	MICRO SWITCH SERIES	2	2	4	2	2						
8	U965001000	TUBO PILOTO ANTERIOR AD	FRONT PILOT PIPE AD	2	3	4	2	3						
S/Nº	S312107000	MANGUITO TUBO PILOTO	PILOT PIPE HOSE	4	6	8	4	6						
S/Nº	U962108000	BICONO Ø 6	BICONE Ø 6	2	3	4	2	3						
9	U962109000	PILOTO COMPLETO	S140(0140028) PILOT UNIT	4	6	8	4	6						
S/Nº	U962107000	INYECTOR LPG	INJECTOR LPG	4	6	8	4	6				23,11,11		
S/Nº	12041740	INYECTOR LPG	INJECTOR LPG	4	6	8	4	6					23,11,11	
S/Nº	U962106000	INYECTOR NG	INJECTOR NG	4	6	8	4	6						
S/Nº	U962101000	TERMOPAR 1500	THERMOCOUPLE 1500	2	3	4	2	3						
S/Nº	U962102000	TERMOPAR 600	THERMOCOUPLE 600	2	3	4	2	3						
S/Nº	X012101000	BUJIA 915.037	SPARK PLUG	4	6	8	4	6						
S/Nº	S312107000	MANGUITO TUBO PILOTO	PILOT PIPE HOSE	8	12	16	8	12						
10	U965003000	CONDUC. QUEMADOR ANTERI. AD	FRONT BURNER PIPE AD	2	3	4	2	3						
11	U56501100	TUERCA GUIA	NUT GUIDE	3	5	6	3	5						
12	U022619000	POSICIONADOR PORTATOB. 4000	NOZZLE-HOLDER POSITION. 4000	3	5	6	3	5						
13	U265033000	PORTATOVERAS Ø10	NOZZLE HOLDER Ø10	2	3	4	2	3						
	Q153002000	TORNILLO TAPON	CAP BOLT	2	3	4	2	3						

MOD.	COCINAS / RANGES		ZONA / ZONE	PARTE FUNCIONAL / FUNCTIONAL PART					PLANO DIAGRAM		C-2865		
ITEM	CODIGO REFERENCE	DENOMINACION	DENOMINATION	CG9-41 PLUS	CG9-61 PLUS	CG9-82 PLUS	CG9-41 PLUS H	CG9-61 PLUS H			ELIMINADO ELIMINATED	INTRODUCID. INTRODUCED	NOTAS
14	U912115000	GRIFO 18700 BY-PASS 0,75	TAP 18700 BY-PASS 0.75	2	3	4	-	-					
14	U912109000	GRIFO 18700 BY-PASS 1,15	TAP 18700 BY-PASS 1.15	1	2	2	3	2					
14	U912117000	GRIFO 18700 BY-PASS 1,45	TAP 18700 BY-PASS 1.45	1	1	2	1	1					
15	U022117000	MANDO MONT COCINA GAS Ø8	GAS COOK. ASSEMBLY CTRL Ø8	4	6	8	4	6					
16	U025066000	DISTRIBUIDOR COMPLET. CG9-41	COMPLETE DISTRIBUTOR CG9-41	1	-	2	1	-					
16	U035005000	DISTRIBUIDOR COMPLET. CG9-61	COMPLETE DISTRIBUTOR CG9-61	-	1	-	-	1					
	Q152004000	TORNILLO APLASTADO M5x13	FLAT HEAD SCREW M5X13	2	2	8	2	2					
17	U912104000	BRIDA AMARRE GRIFO 1/2"	TAP FASTENING FLANGE 1/2"	4	6	8	4	6					
	Q122032000	TORNILLO ALLEN M5x15	ALLEN BOLT M5x15	4	6	8	4	6					
18	U202103000	MANGUITO REDUCCION 1/2-3/8"	REDUCTION HOSE 1/2-3/8"	2	2	4	2	2					
	Q306058000	ARANDELA 25x17X2.5	WASHER 25x17X2.5	2	2	4	2	2					
19	U322118000	PILOTO COMPLETO 100.062	COMPLETE PILOT LIGHT 100,062	1	1	2	1	1					
S/Nº	U442137000	INYECTOR Ø 0,4 GN	INJECTOR Ø 0.4 GN.	1	1	2	1	1					
S/Nº	U562130000	TERMOPAR L=850	THERMOCOUPLE L=850	1	1	2	1	1					
S/Nº	X022131000	BUJIA	SPARK PLUG	1	1	2	1	1					
	Q012031000	TORNILLO EXAGONAL M5x15 A304	HEXAGONAL BOLT M5x15 A304	2	2	4	2	2					
20	U134324000	VALVULA MINISIT 0710.654	VALVE MINISIT 0710.654	1	1	2	1	1					
S/Nº	Q307041000	JUNTA TORICA 25,4x20,2x2,6	O-RING 25.4x20.2x2.6	2	2	4	2	2					
S/Nº	U134317000	MANDO NEGRO MINI 916.124	BLACK CTRL. MINI 916.124	1	1	2	1	1					
S/Nº	U134318000	CUBIERTA MINISIT 903.052	COVER MINISIT 903.052	1	1	2	1	1					
S/Nº	Q031322000	TORNILLO ALOMADO M4x15	CURVED SCREW M4X15	8	8	16	8	8					
S/Nº	U264300000	RACOR 3/8 906,252	CONNECTION 3/8 906.252	2	2	4	2	2					
S/Nº	U134323000	RACORD BICONO 6 958.031	BICONE CONNECTION 6 958.031	1	1	2	1	1					
21	U025062000	TUBO PILOTO EUROSIT QUEM.	PILOT PIPE EUROSIT BURNER	1	1	2	1	1					
S/Nº	U134323000	RACORD BICONO 6 958.031	BICONE CONNECTION 6 958.031	2	2	4	2	2					
22	U025061000	TUBO COMPLETO EUROSIT QUEM	COMPLETE PIPE EUROSIT BURN	1	1	2	1	1					
23	U025050000	ENTRADA MINISIT COMPL CG900	INPUT MINISIT COMPL CG900	1	1	2	1	1					
	Q306062000	ARANDELA Ø13,9X10,33x1,5	WASHER Ø13.9X10.33x1.5	8	8	16	8	8					
24	X163014000	ENCENDEDOR PARA 2 BUJIAS	LIGHTER FOR 2 PLUGS	1	1	2	1	1					
25	Z713035000	REGLETA 6MM	C6MM STRIP	1	1	2	1	1					
26	U963001000	TREN DE CHISPAS 6	TRAIN SPARKS 6	1	1	2	1	1					

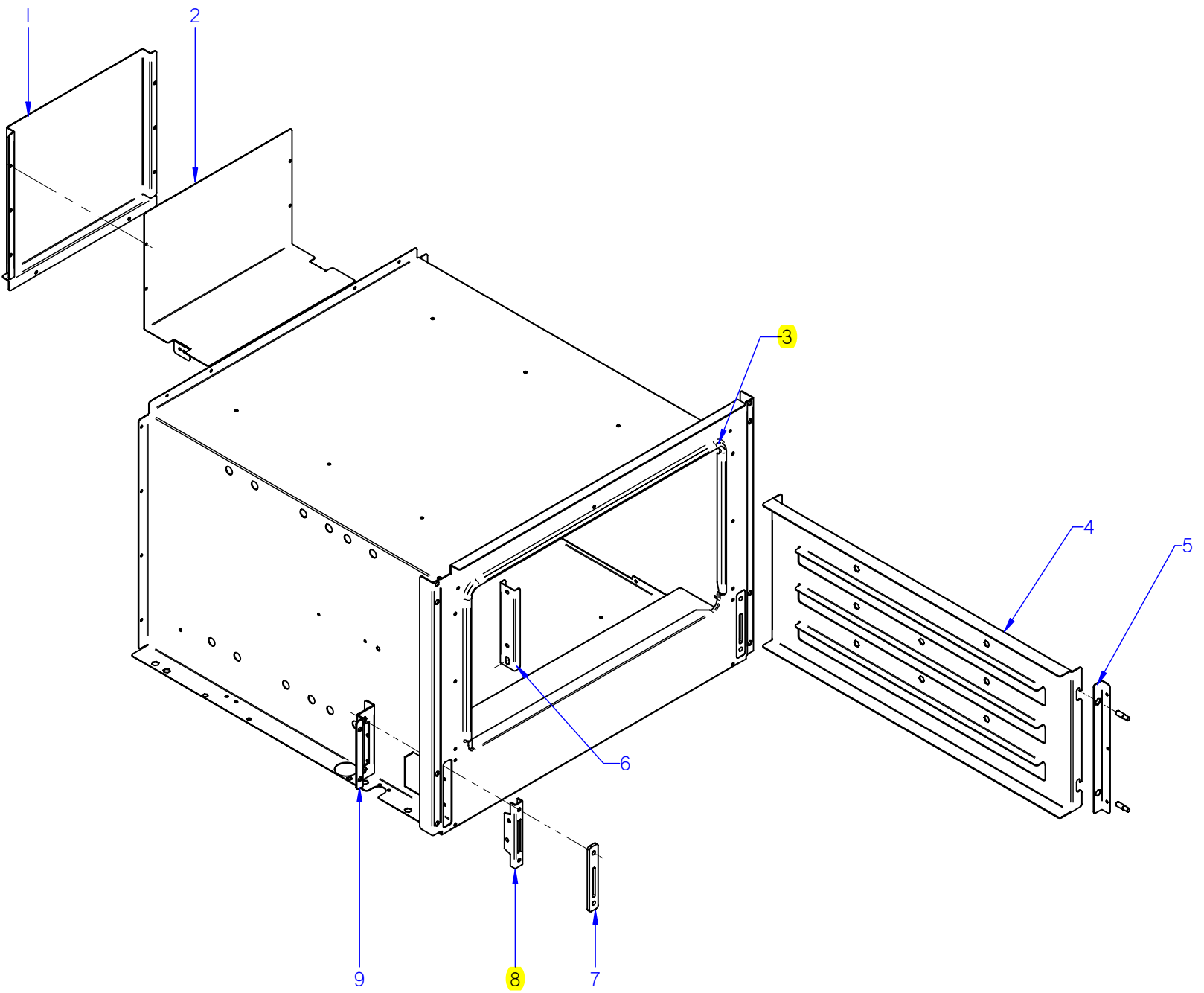
MOD.		COCINAS / RANGES		ZONA / ZONE		PARTE FUNCIONAL / FUNCTIONAL PART				PLANO DIAGRAM		C-2865		
ITEM	CODIGO REFERENCE	DENOMINACION	DENOMINATION	CG9-41 PLUS	CG9-61 PLUS	CG9-82 PLUS	CG9-41 PLUS H	CG9-61 PLUS H				ELIMINADO ELIMINATED	INTRODUCID. INTRODUCED	NOTAS
27	U962683000	CUADRO ELECTRIC COCINA AD	ELECTRIC KITCHEN TABLE AD	1	1	2	1	1						
S/Nº	U962684000	TAPA CUADRO ELEC. AD	TABLE TOP ELEC. AD	1	1	2	1	1						



ITEM MARCADO EN COLOR = REPUESTO RECOMENDADO
 COLOURED ITEM = RECOMMENDED SPARE PART

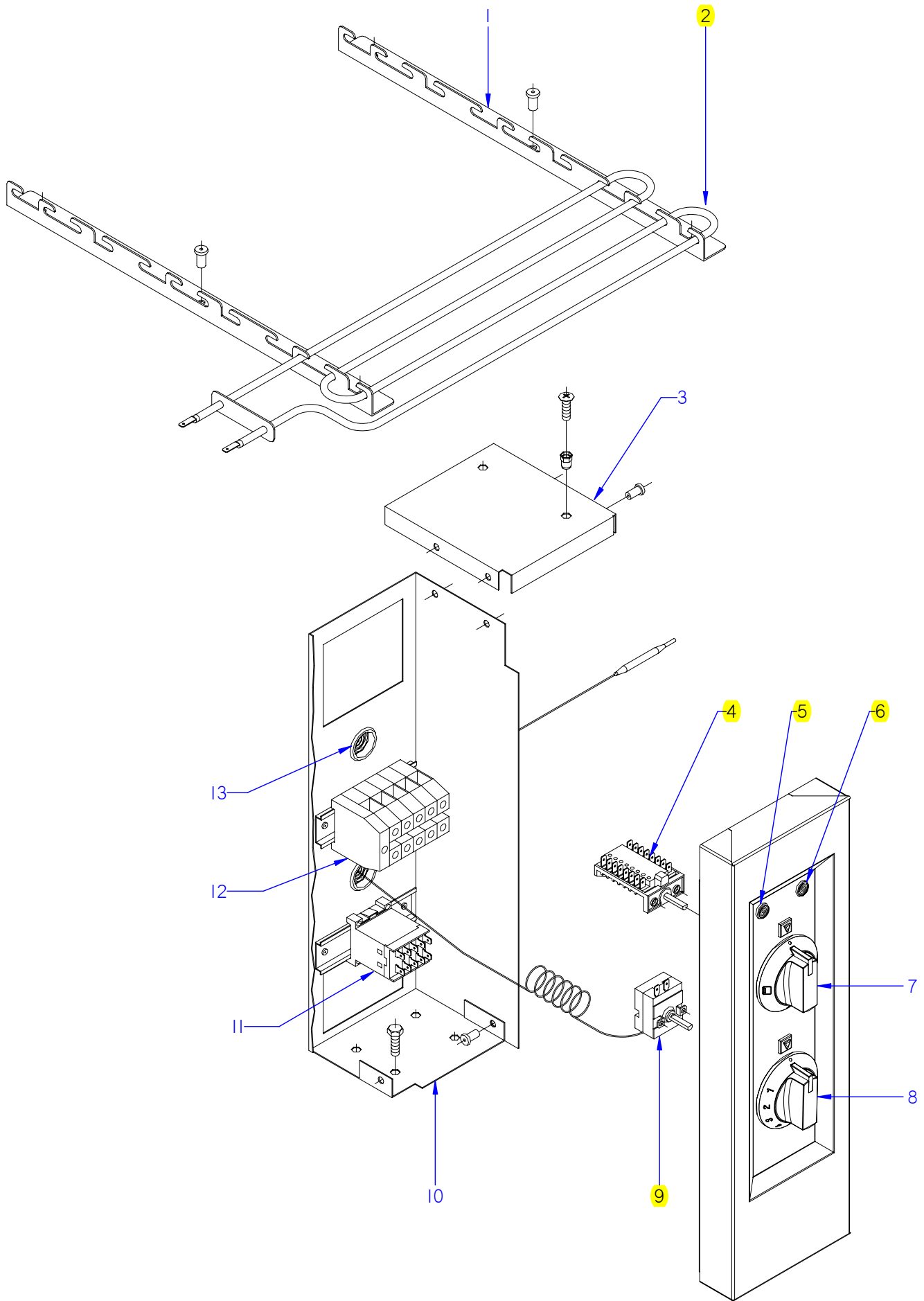
Nº plano / N° Plane	Firma	Fecha / Date	Denominación / Denomination:	HORNO / OVEN	Lamina / Sheet	Fagor Industrial S. Coop. FAGOR Ondate
C-2866	<i>(Firma)</i>	2011-10	COCINAS CG9-41 / 61 / 82 PLUS		7	

MOD.		COCINAS / RANGES		ZONA / ZONE		HORNO / OVEN						PLANO DIAGRAM		C-2866	
ITEM	CODIGO REFERENCE	DENOMINACION	DENOMINATION	CG9-41 PLUS	CG9-61 PLUS	CG9-82 PLUS						ELIMINADO ELIMINATED	INTRODUCID. INTRODUCED	NOTAS	
1	U965604000	POSTERIOR CHIMENEA AD	REAR FLUEPIPE AD	1	1	2									
	Q419005000	REMACHE 4x8 ALMG3 / ALUMINIO	RIVET 4X8 ALMG3 / ALUMINIUM	14	14	28									
2	U965603000	CHIMENEA ANTERIOR AD	FRONT FLUEPIPE AD	1	1	2									
3	U965602000	CAMARA DE HUMOS AD	SMOKE CHAMBER AD	1	1	2									
	Q419005000	REMACHE 4x8 ALMG3 / ALUMINIO	RIVET 4X8 ALMG3 / ALUMINIUM	19	19	38									
4	U965613000	JUNTA HORNO FIBRA DE VIDRIO	FURNACE FIBERGLASS BOARD	1	1	2									
5	U915607000	GUIA LATERAL HORNO G700	OVEN SIDE GUIDE G700	2	2	4									
	Q151336000	TORNILLO SOPORTE GUIAS	GUIDE SUPPORT BOLT	4	4	8									
	Q302022000	ARANDELA 16X6X1.2 A.304	WASHER 16X6X1.2 A.304	4	4	8									
	Q221321000	REMACHE ROSCAD.NUTSERT.M6	THREADED RIVET .NUTSERT.M6	4	4	8									
6	U915616000	SUPLEMENTO AMARRE GUIA LAT.	SIDE GUIDE FAST. SUPPL.	2	2	4									
	Q412000000	REMACHE TUBULAR 4x8	TUBULAR RIVET 4x8	6	6	12									
7	U055644000	FIJACION BULBO	FASTENING BULB	1	1	2									
	Q412000000	REMACHE TUBULAR 4x8	TUBULAR RIVET 4x8	2	2	4									
8	U915619000	EMBELLECEDOR GUIA BISAGRA	HINGE GUIDE TRIM	2	2	4									
	Q152045000	TORNILLO AMARRE M6X25	FASTENING BOLT M6X25	4	4	4									
10	U010512000	GUIA DE BISAGRA	HINGE GUIDE	2	2	4						12.12.11			
10	12041846	GUIA BISAGRA G700 Y G900	HINGE GUIDE G700 Y G900	2	2	4							12.12.11		
11	U915604000	AMARRE GUIA BISAGRA HORNO	OVEN HINGE GUIDE FASTENING	2	2	4									
	Q221342000	REMACHE EXAGONAL M5	HEXAGONAL RIVET M5	2	2	4									
	Q412000000	REMACHE TUBULAR 4x8	TUBULAR RIVET 4x8	6	6	12									
	Q222042000	REMACHE EXAGONAL ROSCA M6	HEXAGONAL RIVET THREAD M6	4	4	8									



ITEM MARCADO EN COLOR = REPUESTO RECOMENDADO
 COLOURED ITEM = RECOMMENDED SPARE PART

Nº plano / N° plane	Firma	Fecha / Date	Denominación / Denomination:	HORNO / OVEN	Laminas / Sheet	Omate
C-2867	<i>(Signature)</i>	2011-1-10	COCINA CGE9-41 PLUS		8	Fagor Industrial S. Coop. FAGOR

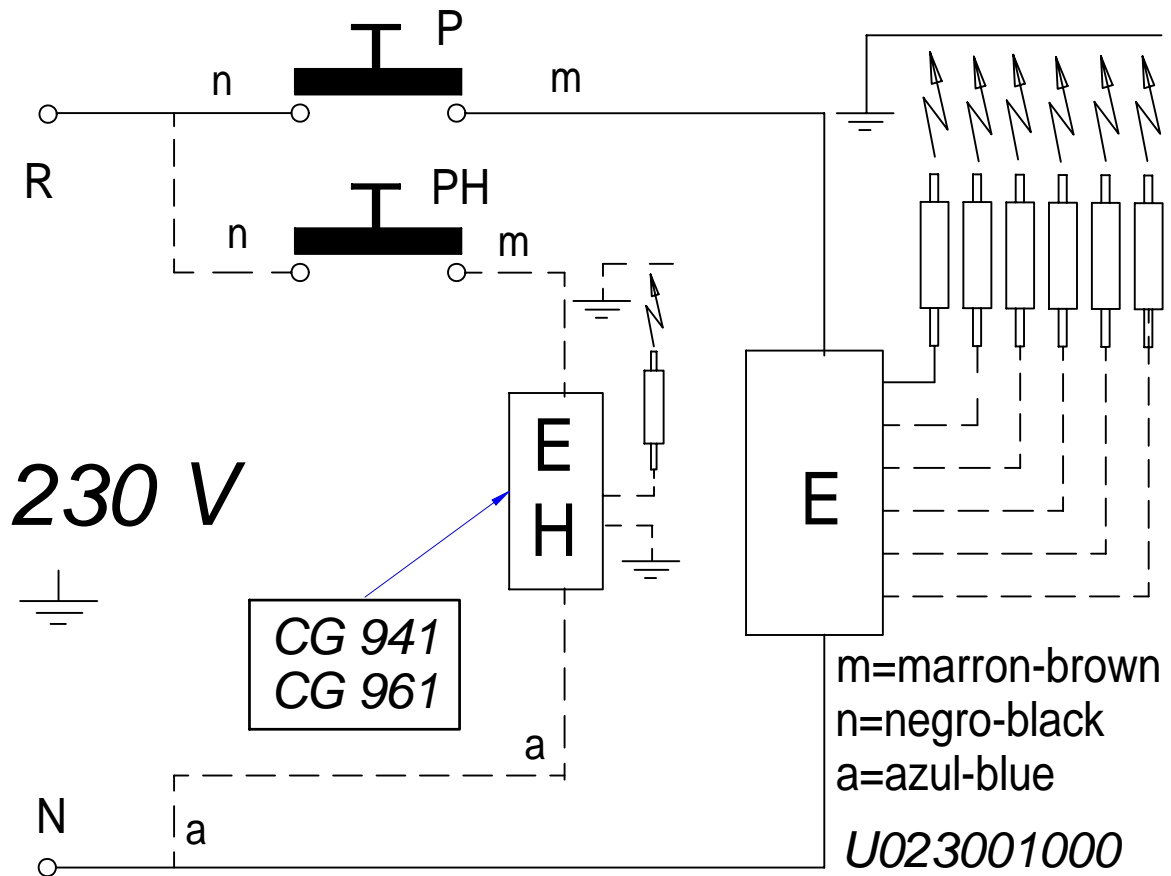



ITEM MARCADO EN COLOR = REPUESTO RECOMENDADO
 COLOURED ITEM = RECOMMENDED SPARE PART

Nº plano / N ° plane	Firma	Fecha / Date	Denominación / Denomination: PARTE ELECTRICA / ELECTRICS FUNCTIONAL	Lamina / Sheet	Fagor Industrial S.Coop. FAGOR
C-2868	<i>[Signature]</i>	2011-09	COCINA CGE9-41 PLUS	9	Oñate

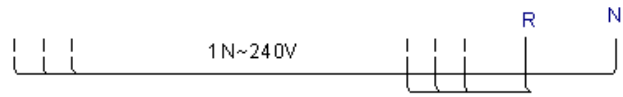
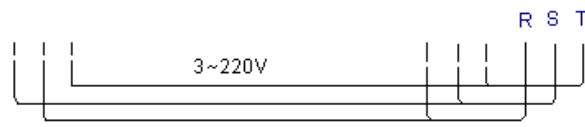
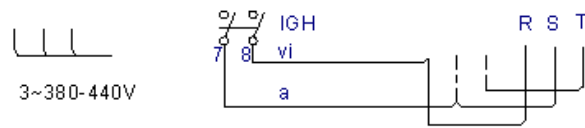
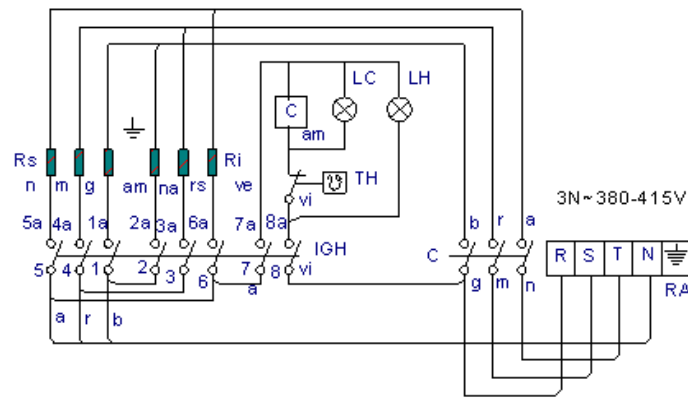
MOD.	COCINAS / RANGES		ZONA / ZONE	PARTE FUNCIONAL ELECTRICA ELECTRICS FUNCTIONAL PART							PLANO DIAGRAM	C-2868	
ITEM	CODIGO REFERENCE	DENOMINACION	DENOMINATION	CGE9-41 PLUS							ELIMINADO ELIMINATED	INTRODUCID. INTRODUCED	NOTAS
1	U965620000	ESCUADRA SOP. RESISTENCIA AD	SUPP. BRACKET RESISTORS AD	4									
	Q419005000	REMACHE 4x8 ALMG3 / ALUMINIO	RIVET 4X8 ALMG3 / ALUMINIUM	12									
2	U803004000	RESISTENCIA 1000W/230V	RESISTOR 1000W -230V	6									
3	U963003000	TAPA DE CUADRO ELECTRICO AD	ELECTRIC PANEL COVER AD	1									
	Q419005000	REMACHE 4x8 ALMG3 / ALUMINIO	RIVET 4X8 ALMG3 / ALUMINIUM	4									
	Q419005000	REMACHE 4x8 ALMG3 / ALUMINIO	RIVET 4X8 ALMG3 / ALUMINIUM	2									
	Q221342000	REMACHE EXAGONAL M5	HEXAGONAL RIVET M5	2									
	Q012032000	TORNILLO EXAGONAL M5x15 A304	HEXAGONAL BOLT M5x15	2									
	Q012032000	TORNILLO EXAGONAL M5x15 A304	HEXAGONAL BOLT M5x15	2									
4	U673006000	CONMUTADOR	SWITCH	1									
	Q151320000	TORNILLO ALOMADO M4x6 H.ZINC	CURVED SCREW M4X6 H. ZINC	2									
5	R693055000	PILOTO VERDE 41227000C7	GREEN PILOT 41227000C7	1							01.02.13		
5	12047390	PILOTO VERDE 230V AC 8KW16mm	GREEN PILOT230V AC 8KW16mm	1								01.02.13	
6	R693056000	PILOTO AMBAR	AMBER PILOT	1							01.02.13		
6	12024669	PILOTO AMBAR Ø18	AMBER PILOT Ø18	1								01.02.13	
7	U173006000	MANDO MONTADO CE Ø6	CONTROL CE Ø6	1									
8	U173005000	MANDO CE Ø6 TERMOSTATO	CONTROL Ø6 THERMOSTAT	1									
9	X153000000	TERMOSTATO 50-310° C	THERMOSTAT 50-310 C	1									
	Q151320000	TORNILLO ALOMADO M4x6 H.ZINC	CURVED SCREW M4X6 H. ZINC	2									
10	U963002000	CUADRO ELECTRICO AD	ELECTRICAL PANEL AD	1									
11	Z213007000	CONTACTOR 3TF2010-3AL2	CONTACTOR 3TF2010-3AL2	1									
	Q419005000	REMACHE 4x8 ALMG3 / ALUMINIO	RIVET 4X8 ALMG3 / ALUMINIUM	4									
12	P453025000	BORNES 10 WDU-10203.0	TERMINALS 10 WDU-10203.0	3									
	U803009000	BORNA PASO AZUL 16 MM.	BLUE TAP TERMINAL 16MM	1									
	P453026000	BORNA TIERRA 10 WPE-10103.0	TERMINAL TIER 10 WPE-10103.0	1									
	12025224	BORNA NEUTRO AZUL 57A 10mm2	TERMINAL NEUTRAL BLUE 57A	1								27,09,12	
	Z263303000	TOPE FINAL	END STOP	1									
	R663055000	GUIA CONTACTOR L-120	CONTACTOR GUIDE L-120	1									
13	X723014000	PASAMUROS AMETRO 30		2									

MOD.	COCINAS / RANGES		ZONA / ZONE	REPUESTOS RECOMENDADOS RECOMMENDED SPARE PART								PLANO DIAGRAM		NOTAS
	ITEM	CODIGO REFERENCE		DENOMINACION	DENOMINATION	CG9-20 PLUS	CG9-40 PLUS	CG9-60 PLUS	CG9-41 PLUS	CG9-61 PLUS	CG9-82 PLUS	CGE9-41 PLUS	ELIMINADO ELIMINATED	
	16	U020528000	BISAGRA CIERRE HORNO	OVEN LOCK HINGE	-	-	-	2	2	4	2			C-2861
	7	U962668000	CAJA TREN CHISPA 920 SOLD	TRAIN SPARK BOX 920 SOLD	1	-	-	-	-	-	-			C-2864
	7	12038838	CAJA TREN CHISPA CG AD	TRAIN SPARK BOX CG AD	-	1	1	-	-	-	-		31,10,11	C-2864
	8	X163014000	ENCENDEDOR PARA 2 BUJIAS	LIGHTER FOR 2 PLUGS	1	-	-	-	-	-	-			C-2864
	8	U963001000	TREN DE CHISPAS 6	TRAIN SPARKS 6	-	1	1	-	-	-	1			C-2864
	10	T723009000	PULSADOR SERIE MICRO	MICRO SWITCH SERIES	1	1	1	-	-	-	1			C-2864
	12	U962109000	PILOTO COMPLETO	S140(0140028) PILOT UNIT	2	4	6	-	-	-	4			C-2864
	S/Nº	12041740	INYECTOR LPG	INJECTOR LPG	2	4	6	-	-	-	4		23,11,11	C-2864
	S/Nº	U962106000	INYECTOR NG	INJECTOR NG	2	4	6	-	-	-	4			C-2864
	S/Nº	U962101000	TERMOPAR 1500	THERMOCOUPLE 1500	1	2	3	-	-	-	2			C-2864
	S/Nº	U962102000	TERMOPAR 600	THERMOCOUPLE 600	1	2	3	-	-	-	2			C-2864
	S/Nº	X012101000	BUJIA 915.037	SPARK PLUG	2	4	6	-	-	-	4			C-2864
	S/Nº	S312107000	MANGUITO TUBO PILOTO	PILOT PIPE HOSE	4	8	12	-	-	-	8			C-2864
	7	T723009000	PULSADOR SERIE MICRO	MICRO SWITCH SERIES	-	-	-	2	2	4	-			C-2865
	9	U962109000	PILOTO COMPLETO	S140(0140028) PILOT UNIT	-	-	-	4	6	8	-			C-2865
	S/Nº	12041740	INYECTOR LPG	INJECTOR LPG	-	-	-	4	6	8	-		23,11,11	C-2865
	S/Nº	U962106000	INYECTOR NG	INJECTOR NG	-	-	-	4	6	8	-			C-2865
	S/Nº	U962101000	TERMOPAR 1500	THERMOCOUPLE 1500	-	-	-	2	3	4	-			C-2865
	S/Nº	U962102000	TERMOPAR 600	THERMOCOUPLE 600	-	-	-	2	3	4	-			C-2865
	S/Nº	X012101000	BUJIA 915.037	SPARK PLUG	-	-	-	4	6	8	-			C-2865
	S/Nº	S312107000	MANGUITO TUBO PILOTO	PILOT PIPE HOSE	-	-	-	8	12	16	-			C-2865
	14	U912115000	GRIFO 18700 BY-PASS 0,75	TAP 18700 BY-PASS 0.75	-	-	-	2	3	4	-			C-2865
	14	U912109000	GRIFO 18700 BY-PASS 1,15	TAP 18700 BY-PASS 1.15	-	-	-	1	2	2	-			C-2865
	14	U912117000	GRIFO 18700 BY-PASS 1,45	TAP 18700 BY-PASS 1.45	-	-	-	1	1	2	-			C-2865
	19	U322118000	PILOTO COMPLETO 100.062	COMPLETE PILOT LIGHT 100,062	-	-	-	1	1	2	-			C-2865
	S/Nº	U442137000	INYECTOR Ø 0,4 GN	INJECTOR Ø 0.4 GN.	-	-	-	1	1	2	-			C-2865
	S/Nº	U562130000	TERMOPAR L=850	THERMOCOUPLE L=850	-	-	-	1	1	2	-			C-2865
	S/Nº	X022131000	BUJIA	SPARK PLUG	-	-	-	1	1	2	-			C-2865
		Q012031000	TORNILLO EXAGONAL M5x15 A304	HEXAGONAL BOLT M5x15 A304	-	-	-	2	2	4	-			C-2865



-	Eskema teorikoa: ADVANCE		-	-	U023001000	-
Zk./Nº	Pieza	Cant.	Materiala/Material	Klas. zk/Nº Clas.	Gainazal akabera/Tratamiento	
Zk./Nº	Aldaketa/Modificaciones		Nork proposatua/Propuesta de	Data/Fecha	Perdoi orokorrak Tolerancias generales	
-	-	-	-	-	< 5 ± 0.2	50 ÷ 100 ± 0.8
-	-	-	-	-	5 ÷ 25 ± 0.4	>100 ± 1
-	-	-	-	-	25 ÷ 50 ± 0.6	α ± 1
	Sinadura/Firma	Data/Fecha	 Fagor Industrial, Koop. Elk, Mugatua			Gainazal perdoia Mecanizado superficial
Marraztua/Dibujado	e.carrascal	2008-11-25				-
Proiektatua/Proyectado	e.carrascal	2008-11-25				-
Egiaztatua/Comprobado	I. Alberdi	2008-11-25				-
Eskala/Escala	EGOSKETA					Plano Zk./Plano Nº HB-80558
-	Plano hau ezin daiteke erabili, ez berriztatu, gure baimenik gabe.					- Zk. ord. du
-						- Zk.gaitik ord.

HE9-10



RA: Regleta de Alimentación

IGH: Conmutador General Horno

C: Contactor

LC: Lámpara Calentamiento Horno

LH: Lámpara Horno Encendido

TH: Termostato de Horno

Rs: Resistencia Horno Superior

Ri: Resistencia Horno Inferior

r = rojo-red-rouge

m = marron-brown-marron

g = gris-grey-gris

n = negro-black-noir

a = azul-blue-bleu

b = blanco-white-blanc

vi = violeta-violette-violet

am = amarillo-yellow-jaune

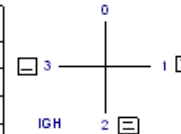
na = naranja-orange-orange

rs = rosa-rose-pink

ve = verde-green-vert

am/ve = amarillo/verde-yellow/green-jaune/vert

	1_2	3_4	5_6	7_8
0				
1	X		X	X
2	X	X	X	X
3	X	X		X



U673054

Esquema teorico adhesivo		U-673054000	
Nº	Pieza	Cart.	Material
Nº	Modificación	Propuesta de	Fecha
			Tolerancias generales
			$\leq 3\pm$
			50-100± :
			5-25± :
			> 100± :
			25-50± :
			$\leq 4\pm$
Elaborado	Firma	Fecha	 Mecanizado superficial Fagor Industrial, Coop. E.I., Miraflores
Proyectado	M. Mallab	01-11-2002	
Comprobado	<i>Lete g</i>		
Revisado			
1/1	COCINAS HE9-10		Plano número HC-76539
Plano homologado y aprobado por el fabricante			Sustituye al N°
			Sustituido por

Simb/LENG		ESPAÑOL	ENGLISH	FRANÇAIS	DEUTSCH	ITALIANO
C1, C2	=	Contactador Calentamiento	Contacteur Chauffe	Heating Contactor	Heizschütz	Contatore Riscaldamento
CN	=	Control de Nivel de agua	Control of water Level	Commande de niveau d'eau	Steuerung des Wasserspiegels	Controllo del livello d'acqua
E	=	Generador de Chispa	Spark generator	Générateur d'étincelle	Funkengenerator	Generatore della scintilla
IB	=	Micro tope bajada	Microswitch of lowered Limit	Microcontact de la limite abaissée	Mikroschalter der gesenkten Begrenzung	Microinterruttore del limite abbassato
IG	=	Interruptor general	General switch	Commutateur général	Allgemeiner Schalter	Interruttore generale
IGV	=	Interruptor electrovalvulas de agua	Switch electrovalvula water	Commutez l'eau d'electrovalvula	Schalten Sie electrovalvula Wasser	Commuti l'acqua di electrovalvula
IE	=	Pulsador de Encendido	Ignition Switch	Commutateur d'allumage	Zündung-Schalter	Interruttore di accensione
IMB	=	Pulsador bajada	lowered switch	commutateur abaissé	gesenkter Schalter	interruttore abbassato
IMS	=	Pulsador subida	Raised switch	Commutateur augmenté	Angehobener Schalter	Interruttore sollevato
IP	=	Micro seguridad	security microswitch	microcontact de sécurité	Sicherheitsmikroschalter	microinterruttore di sicurezza
IS	=	Micro tope subida	Microswitch of rise Limit	Microcontact de la limite d'élévation	Mikroschalter der Aufstieg Begrenzung	Microinterruttore del limite di aumento
L1	=	Lámpara marcha	Operation Light	Lumière d'opération	Betriebs-Licht	Luce di funzionamento
L2	=	Lámpara calentamiento	Heating Light	Lumière de chauffage	Heizungs-Licht	Luce del riscaldamento
M	=	Motor de elevacion	Motor of elevation	Moteur d'altitude	Motor des Aufzugs	Motore dell'altezza
P	=	Presostato de Camara	Water Level Switch	Commutateur de niveau d'eau	Wasserspiegel-Schalter	Interruttore del livello d'acqua
PR	=	Puente rectificador	Electrical bridge rectifier	Pont redresseur électrique	Elektrischer Brückengleichrichter	Raddrizzatore a ponte elettrico
R	=	Resistencia Calentamiento.	Résistance Chauffe	Heating Resistors	Widerstand Aufheizung	Resistenza Riscaldamento
RE	=	Regulador Energia	Regulator of Energy	Régulateur d'énergie	Regler von Energie	Regolatore di energia
T	=	Termostato	Thermostat	Thermostat	Thermostat	Termostato
TRF	=	Transformador	Transformer	Transformateur	Transformator	Trasformatore
TS	=	Termostato de seguridad	Security Thermostat	Thermostat de sécurité	Sicherheits-Thermostat	Termostato di sicurezza
TRP	=	Termopar	Thermocouple	Thermocouple	Thermoelement	Termocoppia
VG1, VG2	=	ElectroVálvula gas	Electrical gas valve	Clapet à gaz électrique	Elektrisches Gichtventil	Valvola a gas elettrica
V1	=	Valvula Agua CALIENTE	ElectroValve of Hot Water	Électrovalve d'eau chaude	Elektroventil des Heißwassers	Elettrovalvola di acqua calda
V2	=	Valvula Agua FRIA	ElectroValve of cold Water	Électrovalve d'eau froide	Elektroventil des kalten Wassers	Elettrovalvola di acqua fredda
V3	=	Valvula Agua Caldera	electrovalve of water boiler	électrovalve de chauffe-eau	Elektroventil des Warmwasserboilers	elettrovalvola del reattore ad acqua
	=	COLORES	COLOUR	COULEURS	FARBEN	COLORE
a	=	Azul	Blue	Bleu	Blau	Blu
am	=	Amarillo	Yellow	Jaune	Gelb	Giallo
am/ve	=	Amarillo/verde	Yellow / green	Jaune / vert	Gelb/grün	Giallo/verde
b	=	Blanco	White	Blanc	Weiß	Bianco
g	=	Gris	Grey	Gris	Grau	Grigio
m	=	Marrón	Brown	Marron	Braun	Marrone
n	=	Negro	Black	Noir	Schwarz	Nero
na	=	Naranja	Orange	Orange	Orange	Arancio
r	=	Rojo	Red	Rouge	Rot	Rosso
rs	=	Rosa	Pink	Rose	Rosa	Roseo
ve	=	Verde	Green	Vert	Grün	Verde
vi	=	Violeta	Purple	Violet	Violett	Viola

X463007000