

**Cocinas a gas todo plancha
Gas ranges with solid top
Fourneaux plaque coup de feu à gaz
Gas-herde mit glühplatte
Cucine tuttapiastra a gas
Fogão a gás todo em placa**

GAMA 700

Modelos:

CG7-10

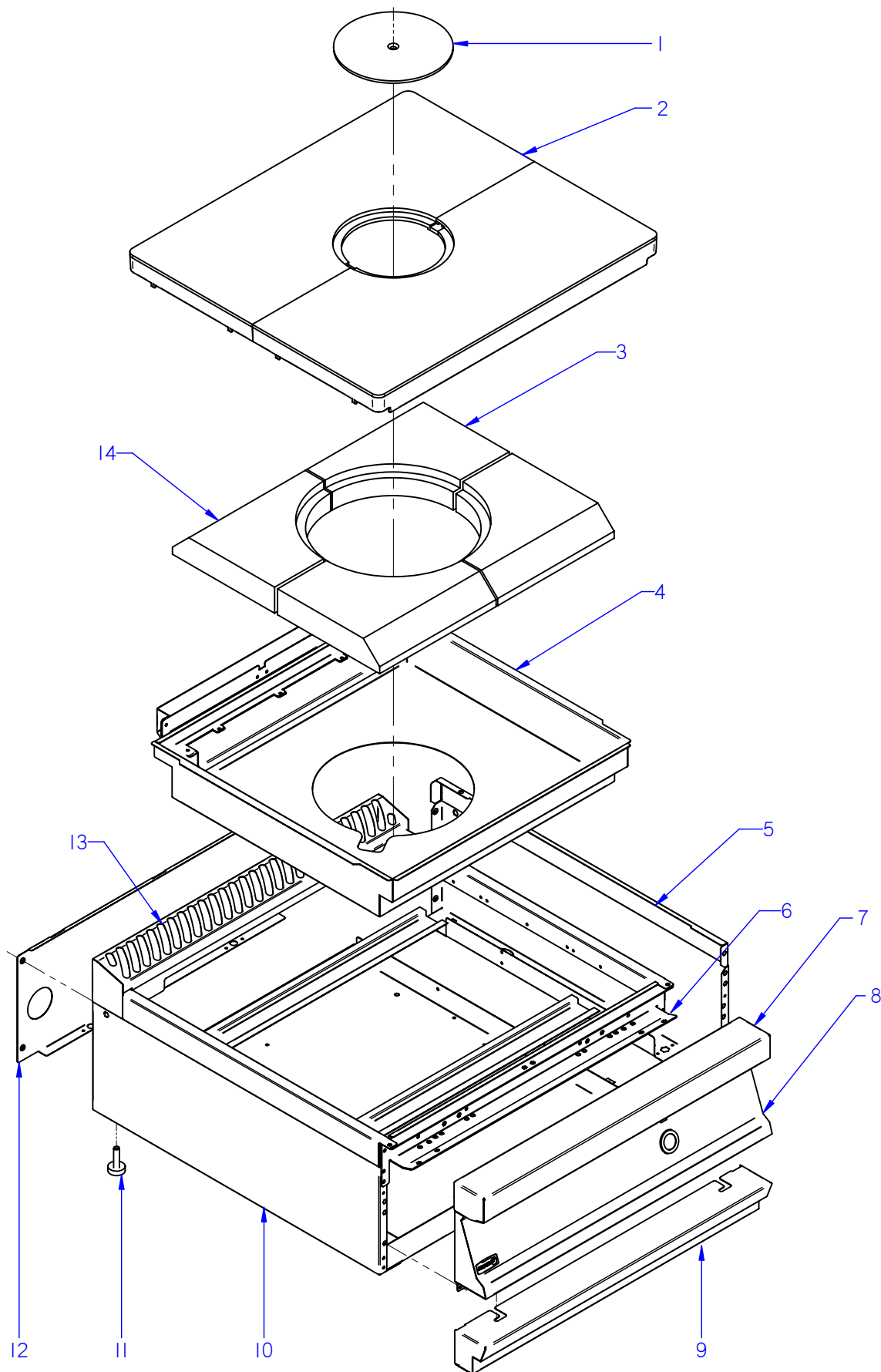
CG7-11

Mayo 2008 May

Revisado Mayo 2014 May Revised

FAGOR 

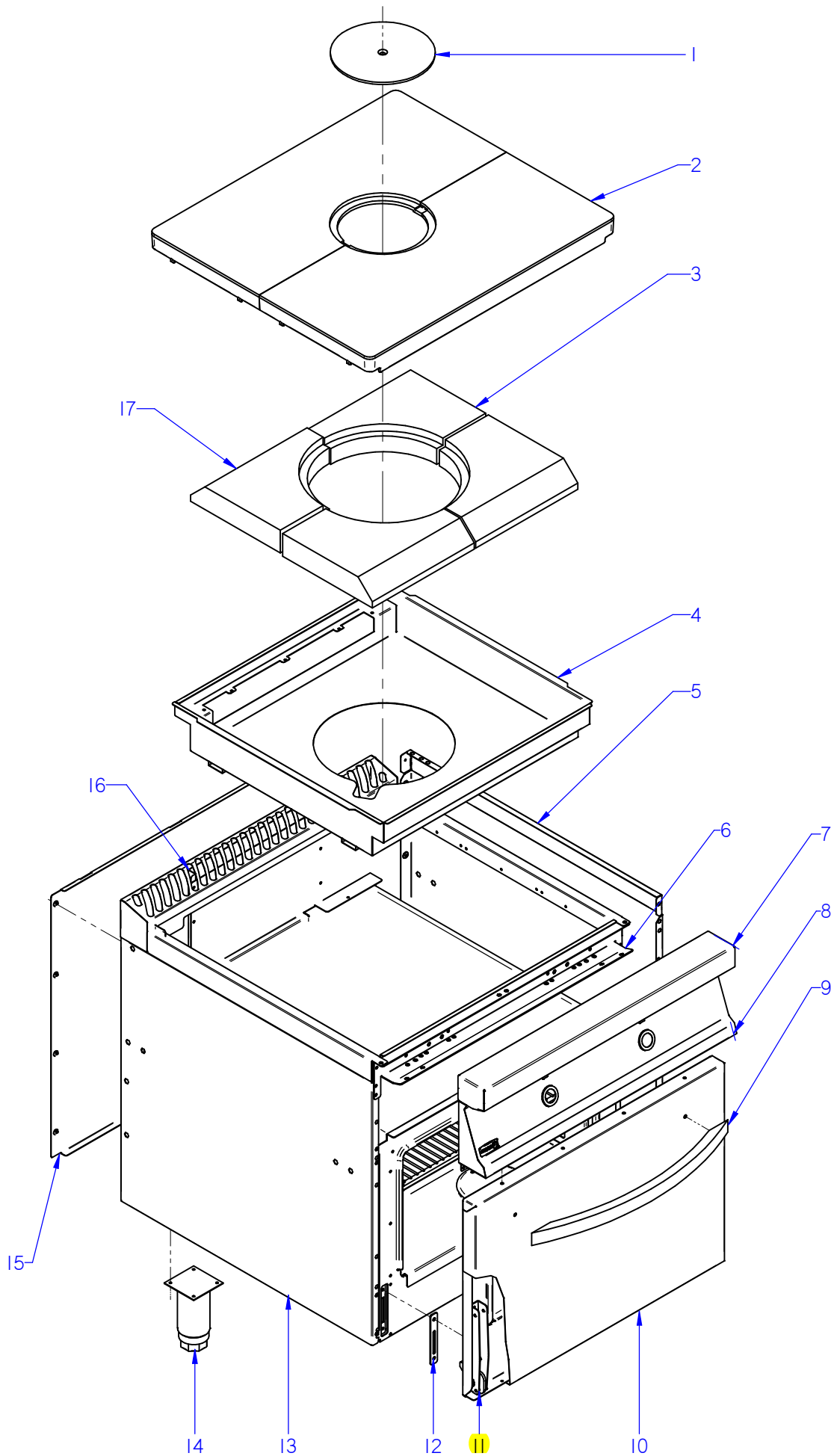
FAGOR INDUSTRIAL



ITEM MARCADO EN COLOR = REPUESTO RECOMENDADO
 COLOURED ITEM = RECOMMENDED SPARE PART

| | | | | | | |
|---------|--------------------|---------|---------------|--------|--------|---------------------------------------|
| N plano | Firma | Fecha | Aparato | MUEBLE | Lamina | Fagor Industrial S.Coop. FAGOR |
| C-2065 | <i>(Signature)</i> | 2008-05 | COCINA CG7-10 | | 1 | Oñate |

| MOD. | | COCINAS | | ZONA | MUEBLE | | | | | PLANO | C-2065 |
|------|------------|-------------------------------|-----------------------------|--------|--------|--|--|--|--|-------|----------------------|
| ITEM | CODIGO | DENOMINACION | TEXTO | CG7-10 | | | | | | | NOTAS |
| 1 | U195421000 | RODELA | GUIDE RING | 1 | | | | | | | |
| 2 | U945401000 | MEDIA PLACA 1M G700 | MEDIUM PLATE 1M G700 | 2 | | | | | | | |
| 3 | U772612000 | REFRACTARIO DERECHO | RIGHT REFRACTORY | 2 | | | | | | | |
| 4 | U772601000 | CAJON DE REFRACTARIO CG-700 | REFRACTORY DRAWER CG-700 | 1 | | | | | | | ELIMINADO 01.06.11 |
| 4 | U772602000 | CAJON DE REFRACTARIO | REFRACTORY DRAWER | 1 | | | | | | | ELIMINADO 31.10.11 |
| 4 | 12041218 | CAJON REFRACTARIO MEK | MEK REFRACTORY DRAWER | 1 | | | | | | | INTRODUCIDO 31.10.11 |
| S/Nº | U772603000 | REFUERZO CAJON REFRACTARIO | REFRAC. REINFORCED DRAWER | 1 | | | | | | | |
| 5 | H122802000 | PANEL LATERAL SUP. DCHO. G700 | RIGHT SUP. SIDE PANEL G700 | 1 | | | | | | | |
| | Q221342000 | REMACHE EXAGONAL M5 | HEXAGONAL RIVET M5 | 5 | | | | | | | |
| | Q221343000 | REMACHE EXAGONAL M6 | HEXAGONAL RIVET M6 | 5 | | | | | | | SISTEMA PUENTE |
| 6 | H602603000 | ESCUADRA AMARRE ANTER. 1 M | FRONT FASTENING BRACKET 1 | 1 | | | | | | | |
| | Q221342000 | REMACHE EXAGONAL M5 | HEXAGONAL RIVET M5 | 6 | | | | | | | |
| | Q012031000 | TORNILLO EXAGONAL M5X10 A.304 | HEXAGONAL BOLT M5X10 A.304 | 3 | | | | | | | |
| 7 | H125409000 | ANTERIOR MESA 1M G-700 | FRONT BENCH 1M G-700 | 1 | | | | | | | |
| | Q152004000 | TORNIL. APLASTADO M5X13 A 304 | FLAT HEADED SCREW M5x13 A 3 | 2 | | | | | | | |
| 8 | U942803000 | PANEL PORTAMANDOS CG7-10 | CONTROL HOLDER PANEL CG7- | 1 | | | | | | | |
| | Q221343000 | REMACHE EXAGONAL M6 | HEXAGONAL RIVET M6 | 6 | | | | | | | SISTEMA PUENTE |
| | Q151336000 | TORNILLO SOPORTE GUIAS | GUIDE SUPPORT BOLT | 2 | | | | | | | |
| | Q152004000 | TORNIL. APLASTADO M5X13 A 304 | FLAT HEADED SCREW M5x13 A 3 | 4 | | | | | | | |
| | U912805000 | ESCUDO FAGOR G700 | FAGOR EMBLEM G700 | 1 | | | | | | | |
| | Q221023000 | CLIP SUJECIÓN RÁPIDA Ø5 | RAPID CONNECT CLIP Ø5 | 2 | | | | | | | |
| 9 | H602816000 | ZOCALO 7-10 Q | SKIRTING 7-10 Q | 1 | | | | | | | |
| | Q012031000 | TORNILLO EXAGONAL M5X10 A.304 | HEXAGONAL BOLT M5X10 A.304 | 2 | | | | | | | |
| | Q302022000 | ARANDELA 16X6X1.2 A.304 | WASHER 16X6X1.2 A.304 | 2 | | | | | | | |
| | Q162040000 | TUERCA EXAGONAL M6 | HEXAGONAL NUT M6 | 2 | | | | | | | |
| | Q302022000 | ARANDELA 16X6X1.2 A.304 | WASHER 16X6X1.2 A.304 | 2 | | | | | | | |
| 10 | H122801000 | PANEL LATERAL SUP. IZDO. G700 | LEFT UPPER SIDE PANEL G700 | 1 | | | | | | | |
| | Q221342000 | REMACHE EXAGONAL M5 | HEXAGONAL RIVET M5 | 5 | | | | | | | |
| | Q221343000 | REMACHE EXAGONAL M6 | HEXAGONAL RIVET M6 | 5 | | | | | | | SISTEMA PUENTE |
| 11 | Z200107000 | PATA REGULABLE | ADJUSTABLE LEG | 4 | | | | | | | |
| | Q221345000 | REMACHE EXAGONAL M10 | HEXAGONAL RIVET M10 | 4 | | | | | | | |

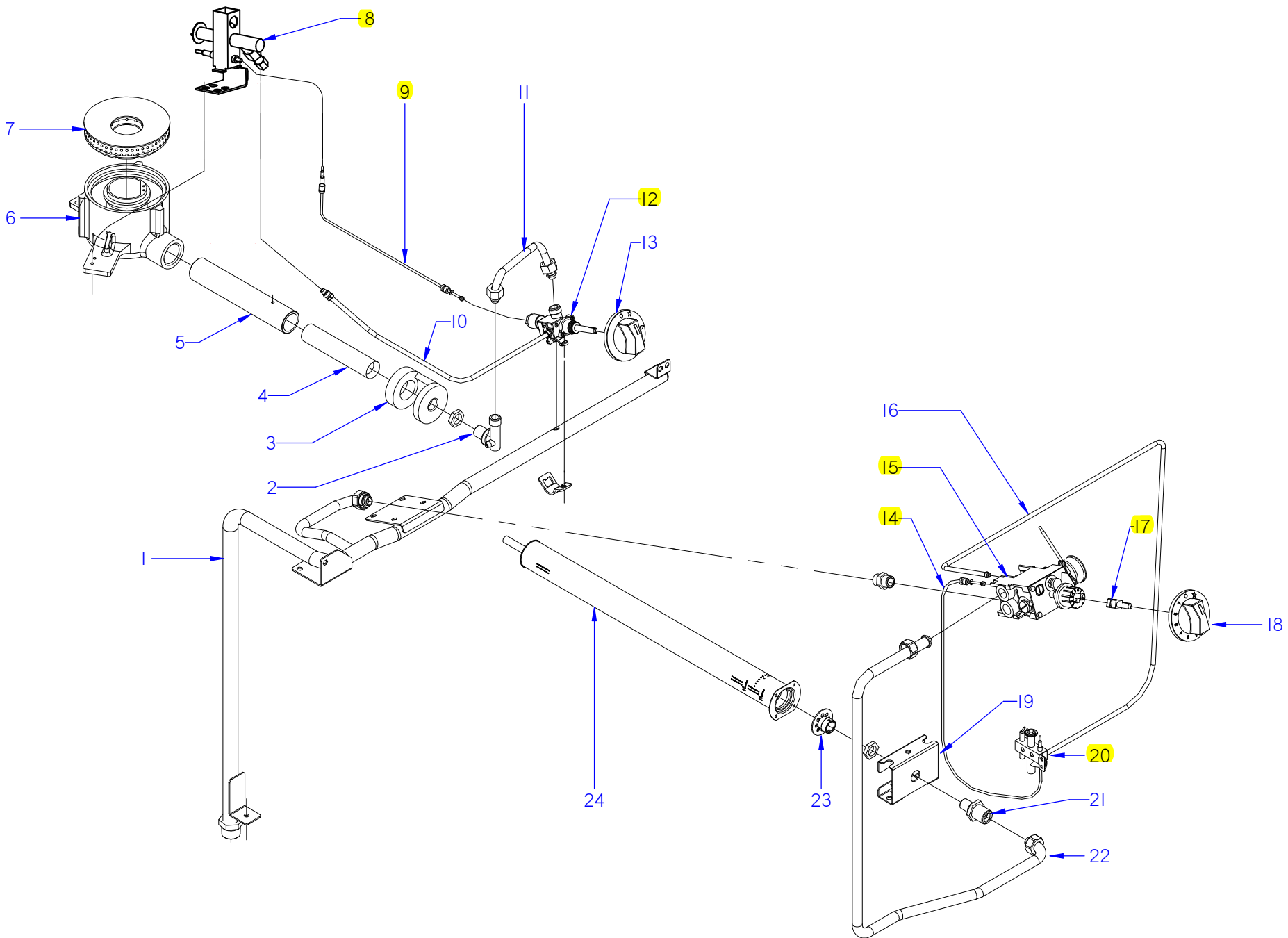


ITEM MARCADO EN COLOR = REPUESTO RECOMENDADO
 COLOURED ITEM = RECOMMENDED SPARE PART

| | | | | | | |
|---------|--------------------|---------|---------------|--------|--------|---------------------------------------|
| N plano | Firma | Fecha | Aparato | MUEBLE | Lamina | Fagor Industrial S.Coop. FAGOR |
| C-2066 | <i>(Signature)</i> | 2008-05 | COCINA CG7-11 | | 2 | Oñate |

| MOD. | | COCINAS | | ZONA | MUEBLE | | | | | PLANO | C-2066 |
|------|-----------------|-------------------------------|-------------------------------|----------|--------|--|--|--|--|-------|----------------------|
| ITEM | CODIGO | DENOMINACION | TEXTO | CG7-11 | | | | | | | NOTAS |
| 1 | U195421000 | RODELA | GUIDE RING | 1 | | | | | | | |
| 2 | U945401000 | MEDIA PLACA 1M G700 | MEDIUM PLATE 1M G700 | 2 | | | | | | | |
| 3 | U772612000 | REFRACTARIO DERECHO | RIGHT REFRACTORY | 2 | | | | | | | |
| 4 | U772601000 | CAJON DE REFRACTARIO CG-700 | REFRACTORY DRAWER CG-700 | 1 | | | | | | | ELIMINADO 01.06.11 |
| 4 | U772602000 | CAJON DE REFRACTARIO | REFRACTORY DRAWER | 1 | | | | | | | ELIMINADO 31.10.11 |
| 4 | 12041218 | CAJON REFRACTARIO MEK | MEK REFRACTORY DRAWER | 1 | | | | | | | INTRODUCIDO 31.10.11 |
| S/Nº | U772603000 | REFUERZO CAJON REFRACTARIO | REFRAC. REINFORCED DRAWER | 1 | | | | | | | INTRODUCIDO 01.06.11 |
| 5 | U912802000 | PANEL LATERAL DCHO. G700 | RIGHT SIDE PANEL G700 | 1 | | | | | | | |
| | Q221342000 | REMACHE EXAGONAL M5 | HEXAGONAL RIVET M5 | 4 | | | | | | | |
| | Q221343000 | REMACHE EXAGONAL M6 | HEXAGONAL RIVET M6 | 4 | | | | | | | |
| | Q221343000 | REMACHE EXAGONAL M6 | HEXAGONAL RIVET M6 | 7 | | | | | | | SISTEMA PUENTE |
| | Q012043000 | TORNILL. EXAGONAL M6X20 A.304 | HEXAGONAL BOLT M6X10 A.304 | 2 | | | | | | | |
| | Q302022000 | ARANDELA 16X6X1.2 A.304 | WASHER 16X6X1.2 A.304 | 2 | | | | | | | |
| 6 | H602603000 | ESCUADRA AMARRE ANTER. 1 M | FRONT FASTENING BRACKET 1 M | 1 | | | | | | | |
| | Q012031000 | TORNILLO EXAGONAL M5X10 A.304 | HEXAGONAL BOLT M5X10 A.304 | 3 | | | | | | | |
| 7 | H125409000 | ANTERIOR MESA 1M G-700 | FRONT BENCH 1M G-700 | 1 | | | | | | | |
| | Q152004000 | TORNIL. APLASTADO M5X13 A 304 | FLAT HEADED SCREW M5x13 A 304 | 2 | | | | | | | |
| 8 | U942801000 | PANEL PORTAMANDOS CG7-11 | CONTROL HOLDER PANEL CG7-11 | 1 | | | | | | | |
| | Q221343000 | REMACHE EXAGONAL M6 | HEXAGONAL RIVET M6 | 6 | | | | | | | SISTEMA PUENTE |
| | Q152004000 | TORNIL. APLASTADO M5X13 A 304 | FLAT HEADED SCREW M5x13 A 304 | 4 | | | | | | | |
| | U912805000 | ESCUDO FAGOR G700 | FAGOR EMBLEM G700 | 1 | | | | | | | |
| | Q221023000 | CLIP SUJECIÓN RÁPIDA Ø5 | RAPID CONNECT CLIP Ø5 | 2 | | | | | | | |
| 9 | U020504000 | ASA DE HORNO COMPL. G 900 | COMPL. OVEN HANDLE G 900 | 1 | | | | | | | |
| | Q302022000 | ARANDELA 16X6X1.2 A.304 | WASHER 16X6X1.2 A.304 | 2 | | | | | | | |
| | Q012041000 | TORNILLO EXAGONAL M6X10 A.304 | HEXAGONAL BOLT M6X10 A.304 | 2 | | | | | | | |
| | Q162040000 | TUERCA EXAGONAL M6 | HEXAGONAL NUT M6 | 2 | | | | | | | |
| | 12038310 | KIT PUERTA HORNO | OVEN DOOR KIT | 1 | | | | | | | |
| 10 | U910501000 | PUERTA DE HORNO G700 | OVEN DOOR G700 | 1 | | | | | | | |
| | U910502000 | CONTRAPUERTA HORNO G700 | OVEN DOOR REVERSE G700 | 1 | | | | | | | |
| | Q152004000 | TORNIL. APLASTADO M5X13 A 304 | FLAT HEADED SCREW M5x13 A 304 | 3 | | | | | | | |
| | X160537000 | TAPON PUERTAS | DOOR COVER | 1 | | | | | | | |

ITEM MARCADO EN COLOR = REPUESTO RECOMENDADO
 COLOURED ITEM = RECOMMENDED SPARE PART

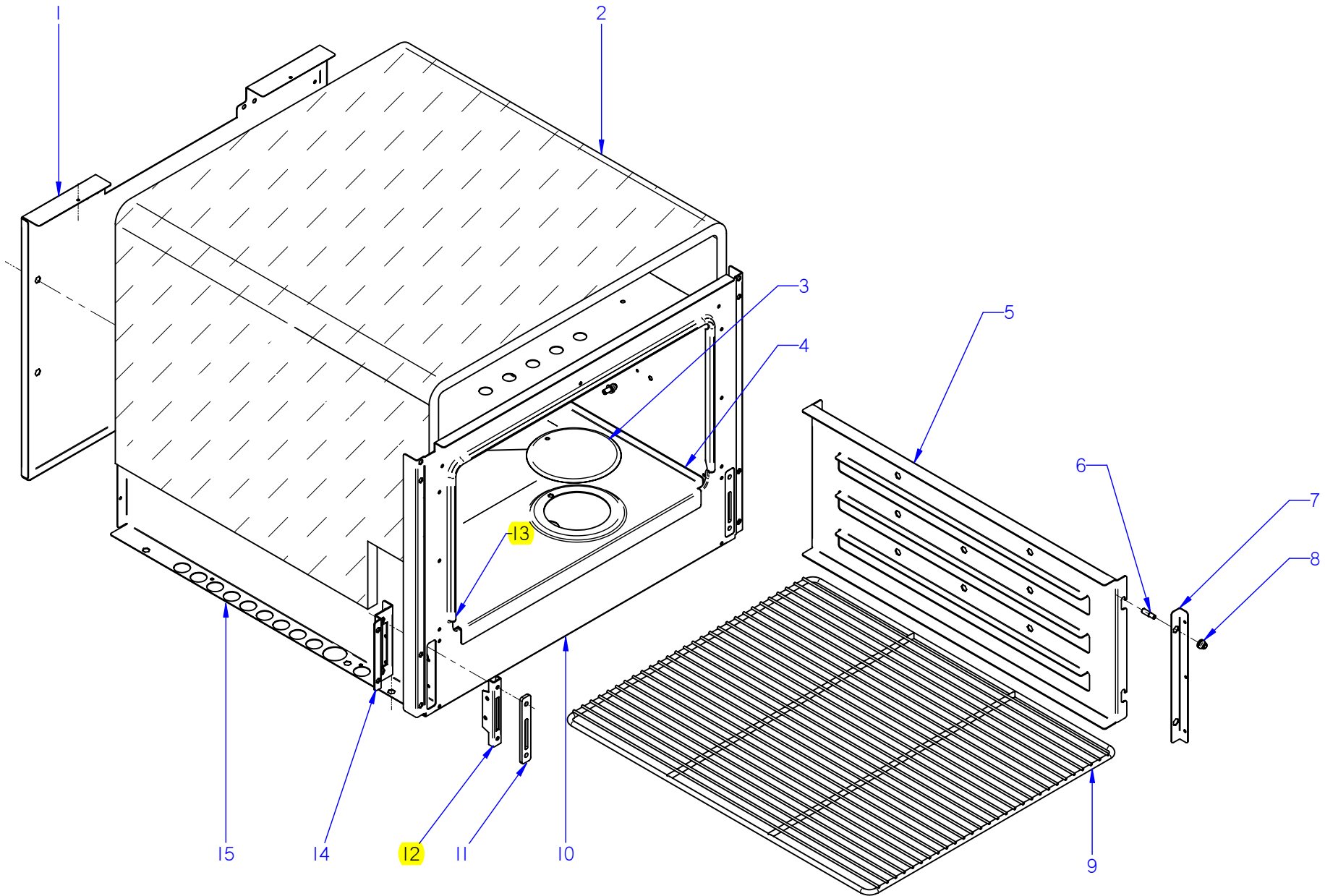


| MOD. | | COCINAS | | ZONA | | PARTE FUNCIONAL DE GAS | | | | PLANO | | C-2067 | |
|------|------------|--------------------------------|-------------------------------|--------|--------|------------------------|--|--|--|-------|--|--------|----------------------|
| ITEM | CODIGO | DENOMINACION | TEXTO | CG7-10 | CG7-11 | | | | | | | NOTAS | |
| 1 | U945013000 | CONDUCCION GENERAL CG-710 | GENERAL PIPING CG-710 | 1 | 1 | | | | | | | | |
| 1 | U945001000 | COND GRAL COMP CG7-11 | GENER. PIPING CG7-11 | 1 | 1 | | | | | | | | ELIMINADO 01.02.12 |
| 1 | 12041825 | CONDUCCION COMPL. CG 7-11 | FULL PIPING CG 7-11 | 1 | 1 | | | | | | | | INTRODUCIDO 01.02.12 |
| | Q152004000 | TORNIL. APLASTADO M5X13 A 304 | FLAT HEADED SCREW M5x13 A 304 | 4 | 2 | | | | | | | | |
| | Q221321000 | REMACHE ROSCAD. NUTSERT M6 | THREADED RIVET NUTSERT M6 | 1 | 2 | | | | | | | | |
| | Q221342000 | REMACHE EXAGONAL M5 | HEXAGONAL RIVET M5 | 1 | 2 | | | | | | | | |
| | Q012043000 | TORNILLO EXAGONAL M6X20 A304 | HEXAGONAL BOLT M6x20 A304 | 1 | 1 | | | | | | | | |
| | Q302022000 | ARANDELA Ø16X6X1.2 A.304 | WASHER 16X6X1.2 A.304 | 1 | 1 | | | | | | | | |
| 2 | U915014000 | PORTATOVERAS HORNO | OVEN NOZZLE HOLDER | 1 | 1 | | | | | | | | |
| | Q153002000 | TORNILLO TAPON | CAP BOLT | 1 | 1 | | | | | | | | |
| 3 | U615705000 | CAMARA MEZCLA PINTADA | PAINT MIXING CHAMBER | 1 | 1 | | | | | | | | |
| 4 | U775701000 | VENTURI QUEMADOR | VENTURI BURNER | 1 | 1 | | | | | | | | |
| | U052401000 | TOBERA DE Ø 1.45 B.P. | NOZZLE Ø 1.45 B.P. | 1 | 1 | | | | | | | | |
| | U262400000 | TOBERA DE Ø 2,15 G.N. | NOZZLE Ø 2.15 G.N. | 1 | 1 | | | | | | | | |
| 5 | U775700000 | TUBO MEZCLADOR | MIXING PIPE | 1 | 1 | | | | | | | | |
| | Q012031000 | TORNILLO EXAGONAL M5X10 A.304 | HEXAGONAL BOLT M5X10 A.304 | 1 | 1 | | | | | | | | |
| 6 | U195702000 | CUERPO QUEMADOR MECAN. | MECHAN BURNER BODY | 1 | 1 | | | | | | | | |
| 7 | U195701500 | QUEMADOR 10850 AGUJ. PINTADO | BURNER 10850 NEEDLE PAINTED | 1 | 1 | | | | | | | | ELIMINADO 10.06.13 |
| 7 | 12091667 | QUEMADOR 11,5 KW AGUJ. PINTADO | BURNER 11,5 KW PAINTED | 1 | 1 | | | | | | | | INTRODUCIDO 10.06.13 |
| 8 | R202100000 | CONJUNTO SOP. PILOTO COMP. | COMP. PILOT SUPP. UNIT | 1 | 1 | | | | | | | | |
| | U442137000 | INYECTOR Ø 0.4 GN | INJECTOR Ø 0.4 GN. | 1 | 1 | | | | | | | | |
| | Q012031000 | TORNILLO EXAGONAL M5X10 A.304 | HEXAGONAL BOLT M5X10 A.304 | 2 | 2 | | | | | | | | |
| 9 | U222130000 | TERMOPAR L=600 | THERMOCOUPLE L=600 | 1 | 1 | | | | | | | | |
| 10 | U945007000 | TUBO PILOTO COMPL CG-710/711 | COMPL PILOT PIPE CG-710/711 | 1 | 1 | | | | | | | | |
| 11 | U945004000 | CONDUCCION QUEMADOR CG-711 | BURNER PIPE CG-711 | 1 | 1 | | | | | | | | |
| | Q306062000 | ARANDELA Ø13,9X10,33x1,5 | WASHER Ø13.9X10.33x1.5 | 2 | 2 | | | | | | | | |
| 12 | U942102000 | GRIFO 18700 BY-PASS 1,20 | TAP 18700 BY-PASS 1.20 | 1 | 1 | | | | | | | | |
| 13 | H122101000 | BOTON DE MANDO Ø8 G700 | CONTROL BUTTON Ø8 G700 | 1 | 1 | | | | | | | | |
| 14 | U742131000 | TERMOPAR L=1500 M9 | THERMOCOUPLE L=1500 M9 | 1 | 1 | | | | | | | | |
| | | | | | | | | | | | | | |
| | | | | | | | | | | | | | |

| MOD. | | COCINAS | | ZONA | PARTE FUNCIONAL DE GAS | | | | | PLANO | C-2067 |
|------|------------|------------------------------|------------------------------|--------|------------------------|--|--|--|--|-------|----------------------|
| ITEM | CODIGO | DENOMINACION | TEXTO | CG7-10 | CG7-11 | | | | | | NOTAS |
| 15 | T982100000 | VALVULA 630 EUR 630.343 | VALVE 630 EUR 630.343 | | 1 | | | | | | ELIMINADO 01.10.10 |
| 15 | R152102000 | VALVULA 630 EUR 630.345 | VALVE 630 EUR 630.345 | | 1 | | | | | | INTRODUCIDO 01.10.10 |
| | T982102000 | TAPON 3/8 972.061 | CAP 3/8 972.061 | | 2 | | | | | | |
| | U875017000 | MANGUITO R 3/8"-R1/2" | HOSE R 3/8"-R1/2" | | 2 | | | | | | |
| | Q306058000 | ARANDELA Ø23,5X17,60X1,5 | WASHER Ø23.5X17.60X1.5 | | 2 | | | | | | |
| 16 | U945009000 | TUBO PILOTO HORNO CG-711 | OVEN PILOT PIPE CG -711 | | 1 | | | | | | ELIMINADO 01.02.12 |
| 16 | 12041534 | TUBO PILOTO HORNO CG 7-11 | OVEN PILOT PIPE CG -711 | | 1 | | | | | | INTRODUCIDO 01.02.12 |
| 17 | R062101000 | EJE BOTON DE MANDO EUROSIT | CONTROL BUTTON SHAFT EUR. | | 1 | | | | | | ELIMINADO 01.10.10 |
| 17 | R062102000 | EJE BOTON MANDO EUROSIT META | CONT. BUTTON SHAFT EUR.MET | | 1 | | | | | | ELIMINADO 01.02.12 |
| 17 | 12041835 | EJE LARGO ELECTROVALVULA | LONG SOLENOID SHAFT | | 1 | | | | | | INTRODUCIDO 01.02.12 |
| | Q131560000 | VARILLA ROSCADA M4x8 DIN913 | THREADED ROD M4x8 DIN913 | | 1 | | | | | | |
| 18 | U912105000 | BOTON DE MANDO Ø 8 EUROSIT | CONTROL BUTTON Ø 8 EUROSIT | | 1 | | | | | | |
| 19 | U105635000 | AMARRE QUEMADOR HORNO(HG) | OVEN BURNER FASTENING (HG) | | 1 | | | | | | |
| | Q222041000 | REMACHE EXAGONAL M4 (INOX) | HEXAGONAL RIVET M4 (INOX) | | 4 | | | | | | |
| | Q012031000 | TORNILLO EXAGONAL M5X10 A304 | HEXAGONAL BOLT M5x10 A304 | | 2 | | | | | | |
| 20 | U322118000 | PILOTO COMPLETO 100.062 | COMPLETE PILOT LIGHT 100.062 | | 1 | | | | | | |
| | U442137000 | INYECTOR Ø 0.4 GN | INJECTOR Ø 0.4 GN. | | 1 | | | | | | |
| | Q012031000 | TORNILLO EXAGONAL M5X10 A304 | HEXAGONAL BOLT M5x10 A304 | | 2 | | | | | | |
| 21 | X505724000 | MANGUITO PORTATOBERAS | NOZZLE HOLDER SLEEVE | | 1 | | | | | | |
| | Q223019000 | TUERCA 3/8 GAS LATÓN | NUT 3/8 GAS BRASS | | 1 | | | | | | |
| 22 | U945005000 | CONDUCC. A QUEMADOR HORNO | PIPING TO OVEN BURNER | | 1 | | | | | | |
| 23 | X505013000 | REGULADOR DE AIRE POLIDORO | POLIDORO AIR CONTROL | | 1 | | | | | | |
| | Q031322000 | TORNILLO ALOMADO M4X15 | CURVED SCREW M4X15 | | 1 | | | | | | |
| 24 | U105701000 | QUEMADOR HORNO COMPLETO | COMPLETE OVEN BURNER | | 1 | | | | | | |
| | R422400000 | TOBERA DE Ø 1.25 B.P. | NOZZLE Ø 1.25 B.P. | | 1 | | | | | | |
| | 9429500000 | TOBERA DE Ø 1,90 G.N. | NOZZLE Ø 1.90 G.N. | | 1 | | | | | | |
| | | | | | | | | | | | |
| | | | | | | | | | | | |
| | | | | | | | | | | | |
| | | | | | | | | | | | |

| | |
|---------------------------------|---------------|
| N plano | C-2068 |
| Firma | |
| Fecha | 2008-05 |
| Aparato | COCINA CG7-11 |
| HORNO | |
| Lamina | 4 |
| Fagor Industrial S. Coop. Omate | |

ITEM MARCADO EN COLOR = REPUESTO RECOMENDADO
 COLOURED ITEM = RECOMMENDED SPARE PART



| MOD. | | COCINAS | | ZONA | HORNO | | | | | PLANO | C-2068 |
|------|------------|-------------------------------|------------------------------|--------|-------|--|--|--|--|-------|----------------------|
| ITEM | CODIGO | DENOMINACION | TEXTO | CG7-11 | | | | | | | NOTAS |
| 1 | U915603000 | POSTERIOR DE HORNO G700 | OVEN REAR G700 | 1 | | | | | | | |
| | Q412000000 | REMACHE TUBULAR 4 x 8 | TUBULAR RIVET 4 x 8 | 12 | | | | | | | |
| 2 | U325621000 | AISLANTE 1455x670x20-AL1C | INSULATION 1455x670x20-AL1C | 1 | | | | | | | |
| 3 | U915618000 | TAPILLA DE SOLERA G 700 | BASE COVER G 700 | 1 | | | | | | | |
| | Q101534000 | TORNILLO EXAGON. M5x25 DIN931 | HEXAGONAL BOLT. M5x25 DIN931 | 1 | | | | | | | |
| 4 | U915617000 | SOLERA DE HORNO G 700 | OVEN BASE G 700 | 1 | | | | | | | |
| | Q221342000 | REMACHE EXAGONAL M5 | HEXAGONAL RIVET M5 | 1 | | | | | | | |
| 5 | U915607000 | GUIA LATERAL HORNO G700 | OVEN SIDE GUIDE G700 | 2 | | | | | | | |
| 6 | Q151336000 | TORNILLO SOPORTE GUIAS | GUIDE SUPPORT BOLT | 4 | | | | | | | |
| | Q302022000 | ARANDELA 16X6X1.2 A.304 | WASHER 16X6X1.2 A.304 | 4 | | | | | | | |
| 7 | U915616000 | SUPLEM. AMARRE GUIA LATERAL | SUPP. FASTENING SIDE GUIDE | 2 | | | | | | | |
| 8 | Q221343000 | REMACHE EXAGONAL M6 | HEXAGONAL RIVET M6 | 4 | | | | | | | |
| 9 | U135642000 | PARRILLA DE HORNO | OVEN TRAY | 1 | | | | | | | |
| 10 | U915601000 | MARCO DE HORNO G700 | OVEN FRAME G700 | 1 | | | | | | | ELIMINADO 03.01.11 |
| 10 | U965614000 | MARCO DE HORNO G900 Y G700 | OVEN FRAME G900 Y G700 | 1 | | | | | | | INTRODUCIDO 03.01.11 |
| | Q221304000 | REMACHE ROSCA NUTSERT M5 | THREADED RIVET NUTSERT M5 | 2 | | | | | | | |
| 11 | U915619000 | EMBELLECEDOR GUIA BISAGRA | HINGE GUIDE TRIM | 2 | | | | | | | |
| | Q152045000 | TORNILLO AMARRRE M6X25 | FASTENING BOLT M6X25 | 4 | | | | | | | |
| 12 | U010512000 | GUIA BISAGRA HORNO | OVEN HINGE GUIDE | 2 | | | | | | | ELIMINADO 11.12.11 |
| 12 | 12041846 | GUIA BISAGRA G700 Y G900 | G700 / G900 HINGE GUIDE | 2 | | | | | | | INTRODUCIDO 11.12.11 |
| 13 | U025623000 | JUNTA PUERTA HORNO INOX. | OVEN DOOR SEAL INOX. | 1 | | | | | | | ELIMINADO 03.01.11 |
| 13 | U965613000 | JUNTA HORNO FIBRA DE VIDRIO | FURNACE FIBERGLASS BOARD | 1 | | | | | | | INTRODUCIDO 03.01.11 |
| 14 | U915604000 | AMARRE GUIA BISAGRA HORNO | OVEN HINGE GUIDE FASTENING | 2 | | | | | | | |
| | Q412000000 | REMACHE TUBULAR 4 x 8 | TUBULAR RIVET 4 x 8 | 6 | | | | | | | |
| | Q222042000 | REMACHE EXAGONAL ROSCA M6 | HEXAGONAL RIVET THREAD M6 | 4 | | | | | | | |
| 15 | U915602000 | CUERPO DE HORNO G700 | OVEN BODY G700 | 1 | | | | | | | ELIMINADO 03.01.11 |
| 15 | U965615000 | CUERPO DE HORNO AD | OVEN BODY AD | 1 | | | | | | | INTRODUCIDO 03.01.11 |
| | Q221321000 | REMACHE ROSCAD.NUTSERT.M6 | THREADED RIVET .NUTSERT.M6 | 1 | | | | | | | |
| | Q412000000 | REMACHE TUBULAR 4 x 8 | TUBULAR RIVET 4 x 8 | 8 | | | | | | | |
| | | | | | | | | | | | |
| | | | | | | | | | | | |

