



C 300

LIST OF THE EXPLODED VIEWS

3rd VERSION

From s/n. 213748 till Today



SHELL ASSY

COOLING SYSTEM

HYDRAULIC CIRCUIT

ELECTRIC PARTS

2nd VERSION

From s/n. 144814 till s/n. 213747



SHELL ASSY

COOLING SYSTEM

HYDRAULIC CIRCUIT

ELECTRIC PARTS

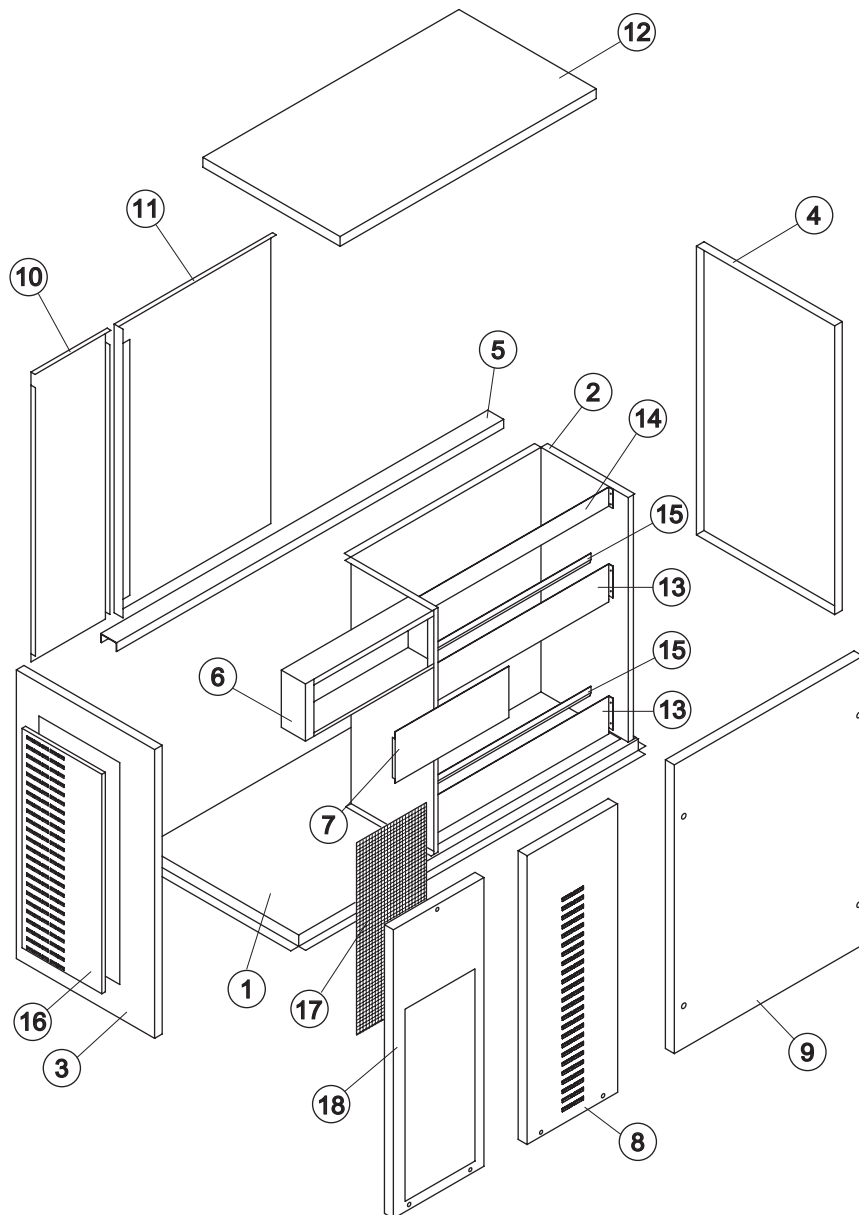
Rev. 9 - 21/06/2011



C 300

3rd Version From s/n.213748 up Today

SHELL ASSY



Rev. 9 - 21/06/2011

Ref.	Spare Description	Code
1	Base Plate	21240
2	Evaporator Chamber	22889
3	Left Side Panel	22736
4	Right Side Panel	22735
5	Cross Bar	22838
6	Electrical Box	22837
7	Electrical Parts Plate	21239
9	Front Panel (Bin Side)	C22744
10	Rear Panel (Group Side)	21288
11	Rear Panel (Bin Side)	21241
12	Top Assy	22738
13	Bulkhead	22890
14	Upper Bulkhead	22809
15	Inner Basin Reinforcement	22740
16	Left Side Panel	22810

Parts for Air-Cooled Version Only

Ref.	Spare Description	Code
17*	Filter	From s/n. 217604 18178
18	Fron Panel (Group Side)	Current Version 22986
8	Fron Panel (Group Side)	Till s/n. 217603 22741

Parts for Water-Cooled Version Only

Ref.	Spare Description	Code
8	Fron Panel (Group Side)	22741



C 300

3rd Version From s/n.213748 up Today

COOLING SYSTEM

Common Parts

Ref.	Spare Description	Code
1*	Vacuum-Charge Valve Plug	14006
2*	Vacuum-Charge Valve Device	14005
3	Vacuum-Charge Valve Body	14007
5	Compressor	See Table
7	Evaporator	See Table
8	Evaporator Cover Panel	10058
9	Sucking Fan	10213
10	Fan Fixing Hub	10014
11*	Solid Core Drier	14084
16	Upper Evaporator Cover Panel	10439
17*	Hot Gas Valve Coil	23091
18*	Hot Gas Valve Body	20409

Parts for Air-Cooled Version Only

Ref.	Spare Description	Code
13	Air Condenser	20406
14	Sucking Fan 275 / 34°	20153
15	Sucking Fan 275 / 34°	Current Version 20153
15	Sucking Fan 254 / 31°	Till s/n. 217603 20031

Parts for Water-Cooled Version Only

Ref.	Spare Description	Code
4	Rubber Holder with Plate	Current Version 20938
4	Rubber Holder with Plate	Till s/n. 459880 C20462
6	Pressostatic Valve	20149
12	Water Condenser	Till s/n. 537714 14617
19	Water Condenser	Current Version 14660

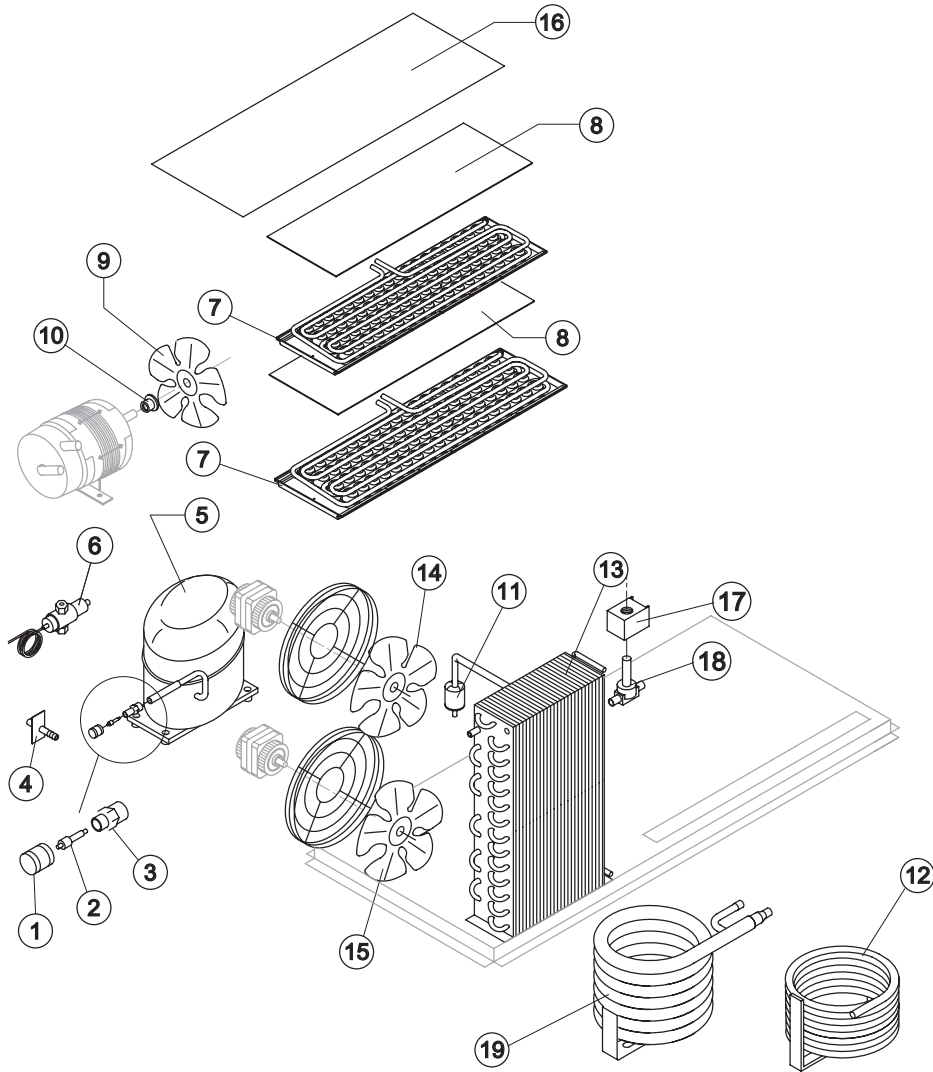
Ref. 5 - Compressor

Voltage	Code	Code
	Current Version	Till s/n. 217603
T11	23647	23489
T12	23651	23527
T14	23708	23563
T15	23709	23453
T16	23708	23563
T18	23651	-

Ref. 7 - Evaporator

Kind of Cube	Code
18 g. (Standard)	D10214
33 g.	D10092
13 g.	D10126
42 g.	D10477
60 g.	D10555

Rev. 9 - 21/06/2011





C 300

3rd Version From s/n.213748 up Today

HYDRAULIC CIRCUIT

Common Parts

Ref.	Spare Description	Code
1	Pump Suction/Delivery Pipe	13150
2	Pump Support Plate	21277
3	Inner Basin	10440
4	Slide Keep Plate	Till s/n. 233485 10009
5*	Pump Suction Filter	20005
6	Overflow Cap	Till s/n. 243833 10305
7*	Overflow Pipe	10133
8*	OR Gasket for Overflow Pipe	20233
9	Water Outlet Nipple	10471
10	Silicone Gasket	13006
11	Semirigid Polyethylene Gasket	13007
12	Bin Discharge Nut	10096
13	Water Discharge Pipe	13054
14	Discharges Manifold	C10415
15	Sprayer	D20002
16*	Sprayers Bar Assembly	See Table -
17	Sprayers Bar Plug	10012
18	Ice Cubes Slide	See Table -
19	Sprayers Bar Pipe Connection	C13036
21	Flags Support Assy	C22134
22	Fitting of the Pump Suction/Delivery Pipes	10424
23	Gasket for Pump Suction/Delivery Pipes	13143
24	Fittings Locking Ring	10405
25	Fixing Screw	20009

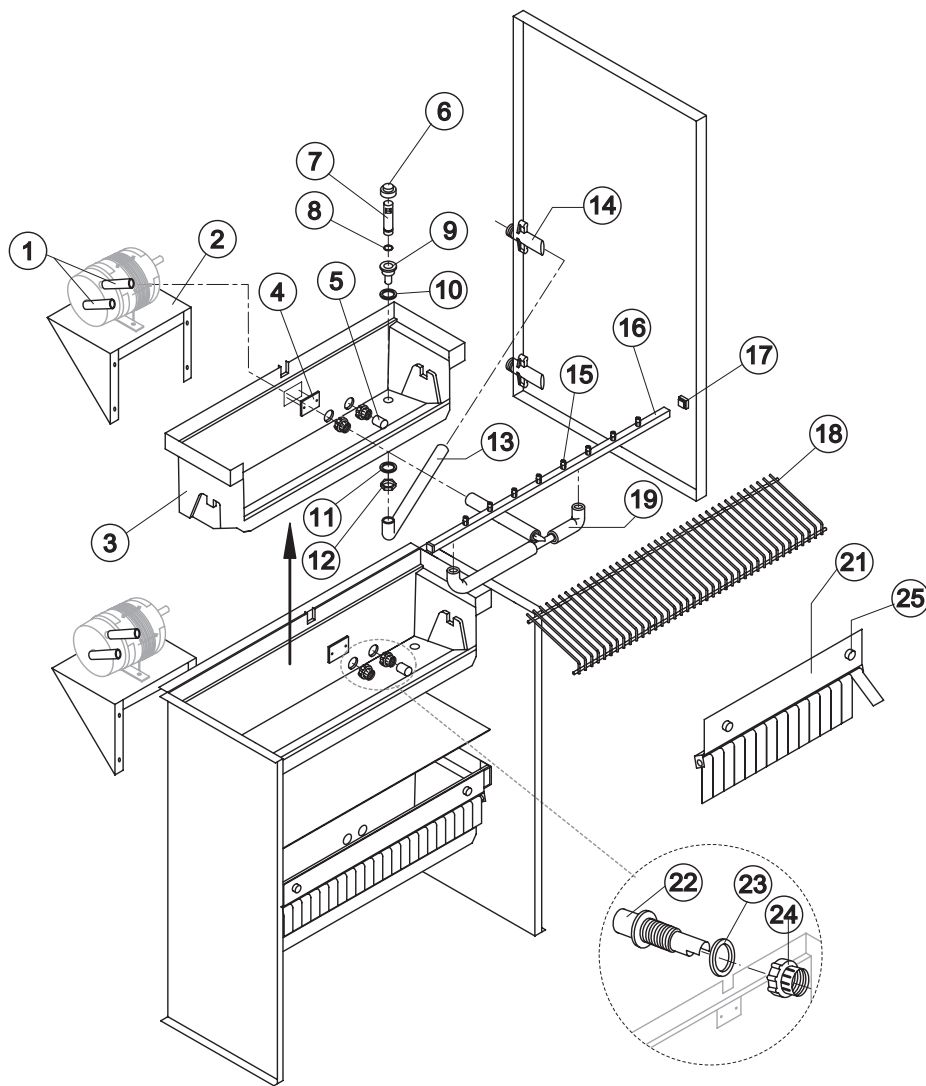
Ref. 16* - Sprayers Bar Ass.

Kind of Cube	Code
18 g. (Standard)	C20144
33 g.	C20157
13 g.	C20200
42 g.	C20157
60 g.	C20941

Ref. 18 - Ice Cube Slide

Kind of Cube	Code
18 g. (Standard)	D12022
33 g.	D12033
13 g.	D12040
42 g.	D12033
60 g.	D12084

Rev. 9 - 21/06/2011





C 300

3rd Version From s/n.213748 up Today

ELECTRIC PARTS

Common Parts

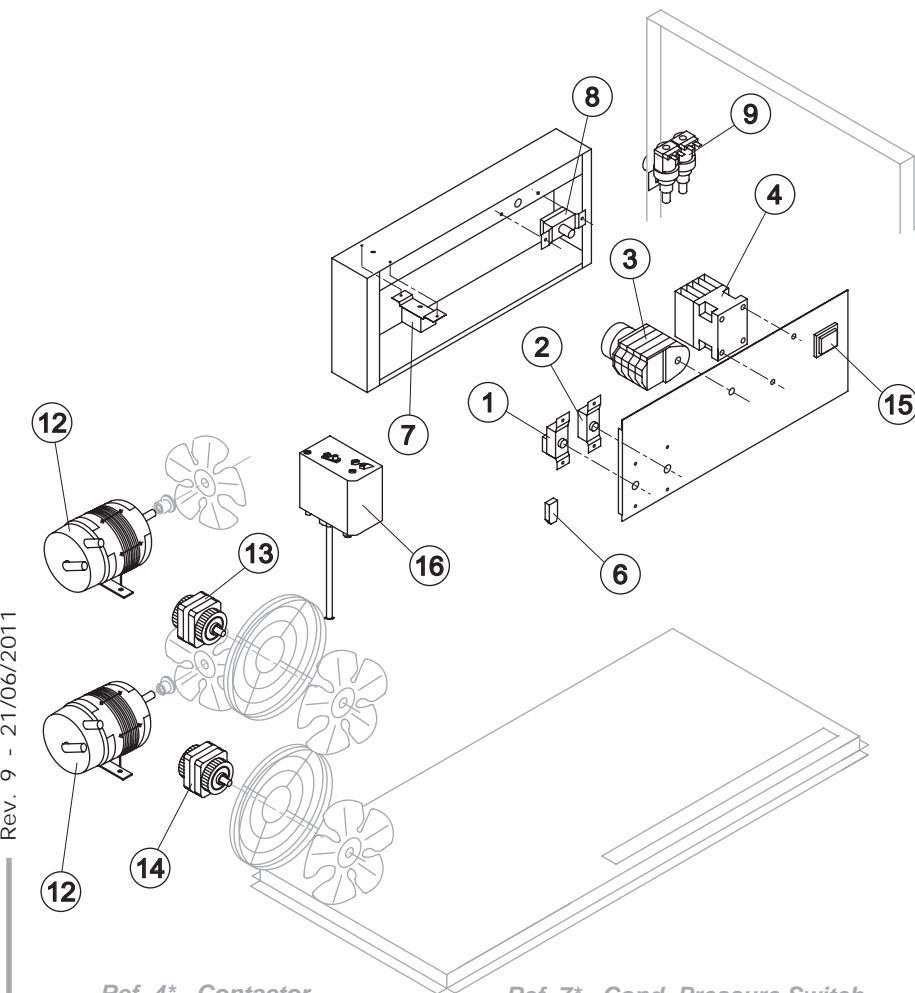
Ref.	Spare Description	Code
1*	Bin Thermostat	R23421
2*	Evaporator Thermostat	R23591
3*	Timer	See Table -
4*	Contactor	23147
8	Safety Pressure Switch	23342
9*	2 Ways- Water Inlet Valve	23157
12*	Pump Assy	C23691
15*	On/Off Rocker Switch	23327
16	Low pressure safety switch	23763

Parts for Air-Cooled Version Only

Ref.	Spare Description	Code
6	Anti Radio Interference Filter	Only T11, T14, T15 C23459
7*	Condenser Pressure Switch	See Table -
13	Fan Motor	23121
14	Fan Motor	Current Version 23121
14	Fan Motor	Till s/n. 217603 See Table

Ref. 3* - Timer

Voltage	18g Cube	33g Cube	13g Cube	42g Cube	60g Cube
T11	23247	23248	23472	23780	23922
T12	23222	23780	23247	23780	TBD
T14	23247	23248	23472	23780	TBD
T15	23247	23248	23472	23780	23922
T16	23222	23780	23247	23780	TDB
T18	23222	23780	23247	23780	TBD



Ref. 4* - Contactor

Voltage	Code
T11	23147
T12	23963
T14	23147
T15	23147
T16	23963
T18	23963

Ref. 7* - Cond. Pressure Switch

Voltage	Code
T11	23175
T12	23175
T14	23175
T15	23175
T16	23175
T18	23680

Ref. 9* - 2 Ways- Water Inlet Valve

Voltage	18/13g Cube	33g Cube	42g Cube	60g Cube
T11	23157	23157	23784	23784
T12	23157	23784	23784	23784
T14	23157	23157	23784	23784
T15	23157	23157	23784	23784
T16	23157	23784	23784	23784
T18	23157	23784	23784	23784

Ref. 14* - Fan Motor

Till s/n. 217603	
Voltage	Code
T11	23067
T12	23681
T14	23067
T15	23067
T16	23681

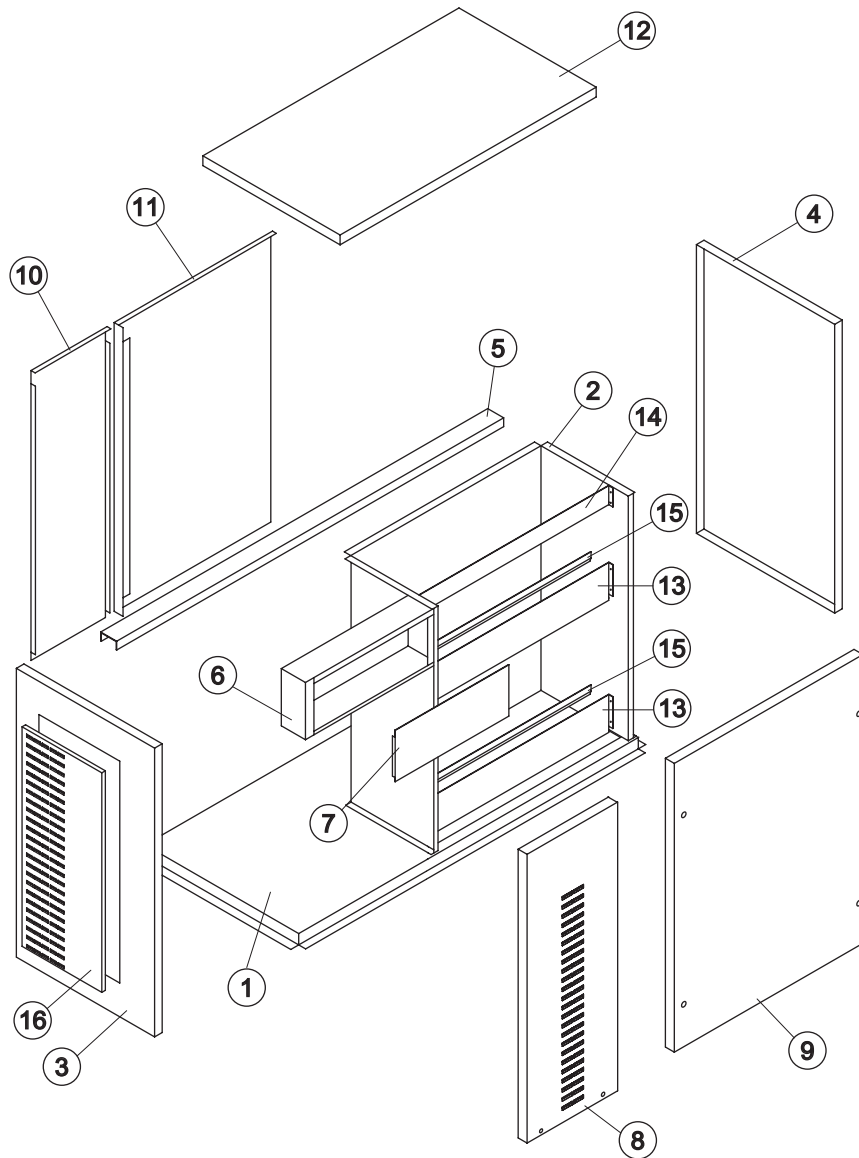
Rev. 9 - 21/06/2011



C 300

2nd Version From s/n.144814 To s/n.213747

SHELL ASSY



Ref.	Spare Description	Code
1	Base Plate	21240
2	Evaporator Chamber	22737
3	Left Side Panel	22736
4	Right Side Panel	22735
5	Cross Bar	22838
6	Electrical Box	22837
7	Electrical Parts Plate	21239
8	Fron Panel (Group Side)	22741
9	Front Panel (Bin Side)	C22744
10	Rear Panel (Group Side)	21288
11	Rear Panel (Bin Side)	21241
12	Top Assy	22738
13	Bulkhead	22739
14	Upper Bulkhead	22809
15	Inner Basin Reinforcement	22740
16	Left Side Panel	22810

Rev. 9 - 21/06/2011



C 300

2nd Version From s/n.144814 To s/n.213747

COOLING SYSTEM

Common Parts

Ref.	Spare Description	Code
1*	Vacuum-Charge Valve Plug	14006
2*	Vacuum-Charge Valve Device	14005
3	Vacuum-Charge Valve Body	14007
5	Compressor	See Table -
7	Evaporator	See Table -
8	Evaporator Cover Panel	10058
9	Sucking Fan	10213
10	Fan Fixing Hub	10014
11*	Solid Core Drier	14084
17*	Hot Gas Valve Coil	23091
18*	Hot Gas Valve Body	20409

Parts for Air-Cooled Version Only

Ref.	Spare Description	Code
13	Air Condenser	20406
14	Sucking Fan 275 / 34°	20153
15	Sucking Fan 254 / 31°	20031

Parts for Water-Cooled Version Only

Ref.	Spare Description	Code
4	Rubber Holder with Plate	Current Version 20938
4	Rubber Holder with Plate	Till s/n. 459880 C20462
6	Pressostatic Valve	20149
12	Water Condenser	14617

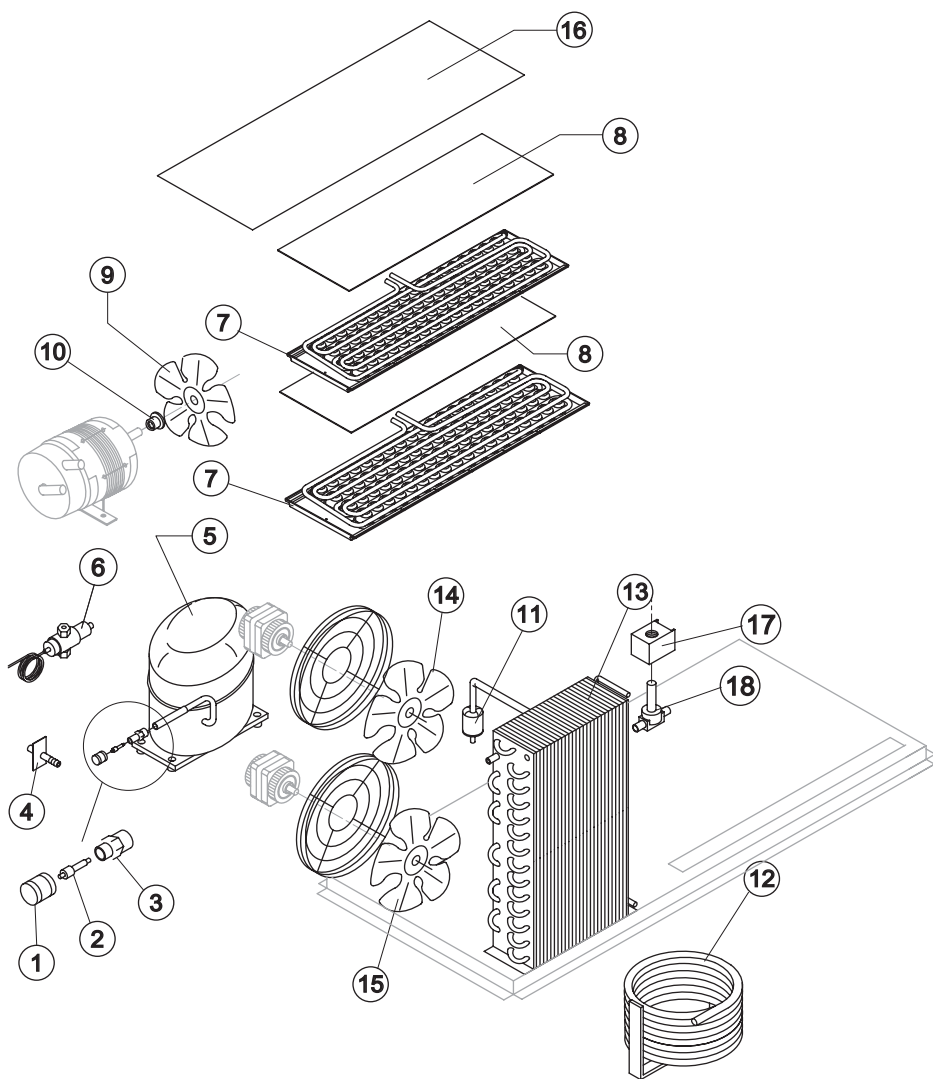
Ref. 5 - Compressor

Voltage	Code
T11	23489
T12	23527
T14	23563
T15	23453
T16	23563

Ref. 7 - Evaporator

Kind of Cube	Code
18 g. (Standard)	D10214
33 g.	D10092
13 g.	D10126
42 g.	D10477

Rev. 9 - 21/06/2011





C 300

2nd Version From s/n.144814 To s/n.213747

HYDRAULIC CIRCUIT

Common Parts

Ref.	Spare Description	Code	
1	Pump Delivery Pipe	13133	
2	Pump Suction Pipe	13047	
3	Pump Support Plate	21277	
4	Inner Basin	10055	
5	Slide Keep Plate	10009	
6	Pump Suction Filter	20005	
7	Overflow Cap	10305	
8	Overflow Pipe	10133	
9	OR Gasket for Overflow Pipe	20233	
10	Water Outlet Nipple	10007	
11	Silicone Gasket	13006	
12	Semirigid Polyethylene Gasket	13007	
13	Bin Discharge Nut	10096	
14	Water Discharge Pipe	13067	
15	Discharges Manifold	C10415	
16	Sprayer	D20002	
17	Sprayers Bar Assembly	See Table	-
18	Sprayers Bar Plug	10012	
19	Ice Cubes Slide	See Table	-
20	Sprayers Bar Pipe Connection	C13036	
25	Flags Support Assy	C22134	
26	Fixing Screw	20009	

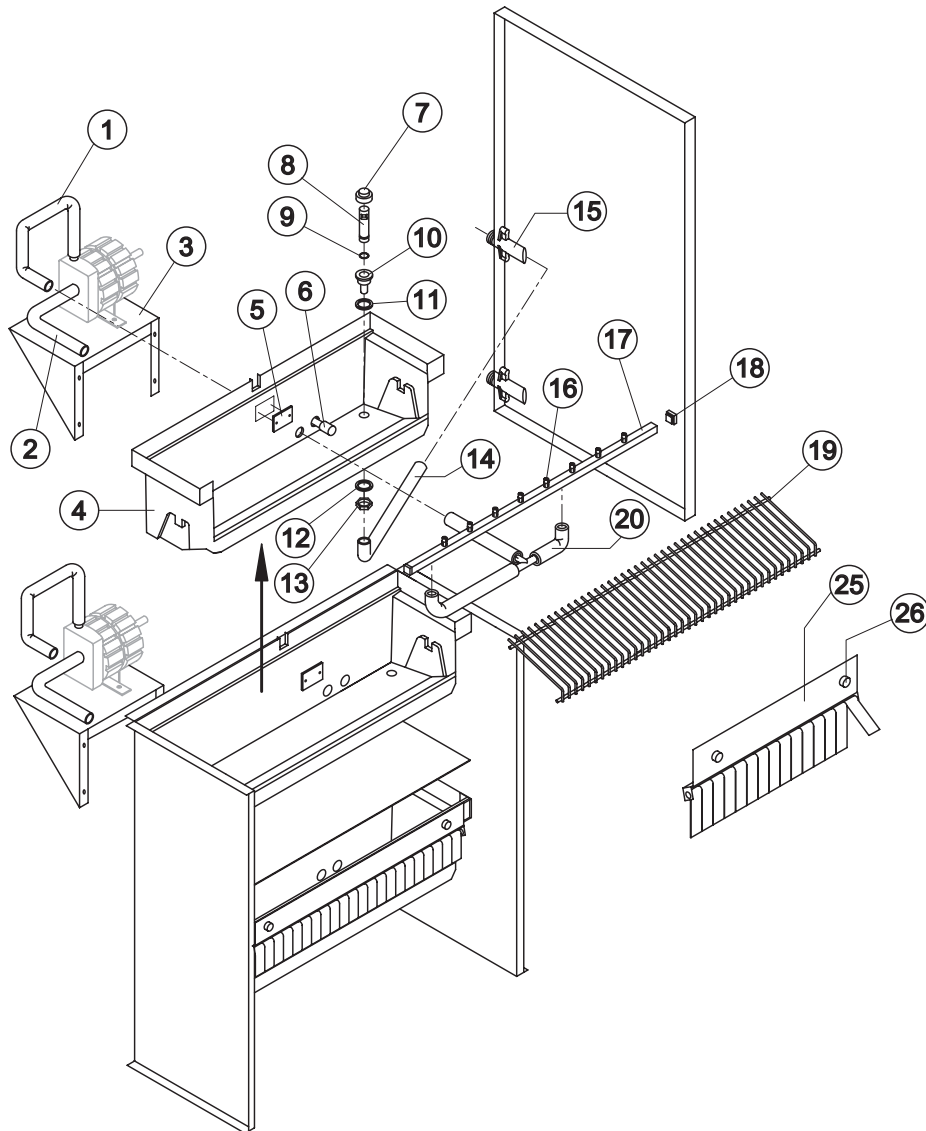
Ref. 17 - Sprayers Bar Ass.

Kind of Cube	Code
18 g. (Standard)	C20144
33 g.	C20157
13 g.	C20200

Ref. 19 - Ice Cubes Slide

Kind of Cube	Code
18 g. (Standard)	D12022
33 g.	D12033
13 g.	D12040

Rev. 9 - 21/06/2011





C 300

2nd Version From s/n.144814 To s/n.213747

ELECTRIC PARTS

Common Parts

Ref.	Spare Description	Code
1*	Bin Thermostat	R23421
2*	Evaporator Thermostat	R23591
3*	Timer	See Table -
4*	Contactor	See Table -
8	Safety Pressure Switch	23342
9*	2 Ways- Water Inlet Valve	23157
12	Pump Assy	C23068
15*	On/Off Rocker Switch	23327
16	Low pressure safety switch	23763

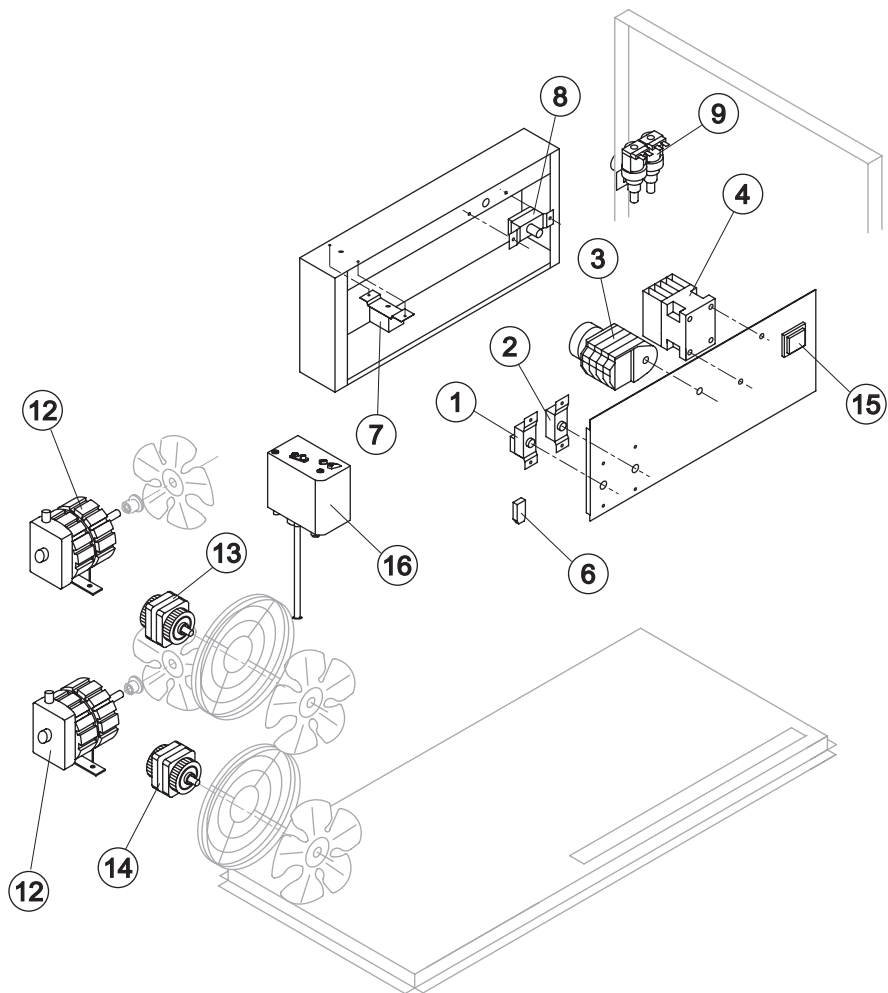
Parts for Air-Cooled Version Only

Ref.	Spare Description	Code
6	Anti Radio Interference Filter	Only T11, T14, T15 C23459
7*	Condenser Pressure Switch	See Table -
13	Fan Motor	23121
14	Fan Motor	See Table

Ref. 3* - Timer

Voltage	18 g Cube	33 g Cube	13 g Cube	42 g Cube
T11	23247	23248	23472	23780
T12	23222	23780	23247	23780
T14	23247	23248	23472	23780
T15	23247	23248	23472	23780
T16	23222	23780	23247	23780
T18	23222	23780	23247	23780

Rev. 9 - 21/06/2011



Ref. 4* - Contactor

Voltage	Code
T11	23147
T12	23963
T14	23147
T15	23147
T16	23963

Ref. 7* - Cond. Pressure Switch

Voltage	Code
T11	23175
T12	23175
T14	23175
T15	23175
T16	23175

Ref. 9* - 2 Ways- Water Inlet Valve

Voltage	18/13 g Cube	33 g Cube	42 g Cube
T11	23157	23157	23784
T12	23157	23784	23784
T14	23157	23157	23784
T15	23157	23157	23784
T16	23157	23784	23784

Ref. 14* - Fan Motor

Voltage	Code
T11	23067
T12	23681
T14	23067
T15	23067
T16	23681