

- Fry-Tops a gas con horno
- Grillades à gaz avec four
- Gas Fry-Tops with oven
- Gas Griddleplatten mit ofen

Mod.

FTG9-11 L

FTG9-11 R

FTG9-11 CL

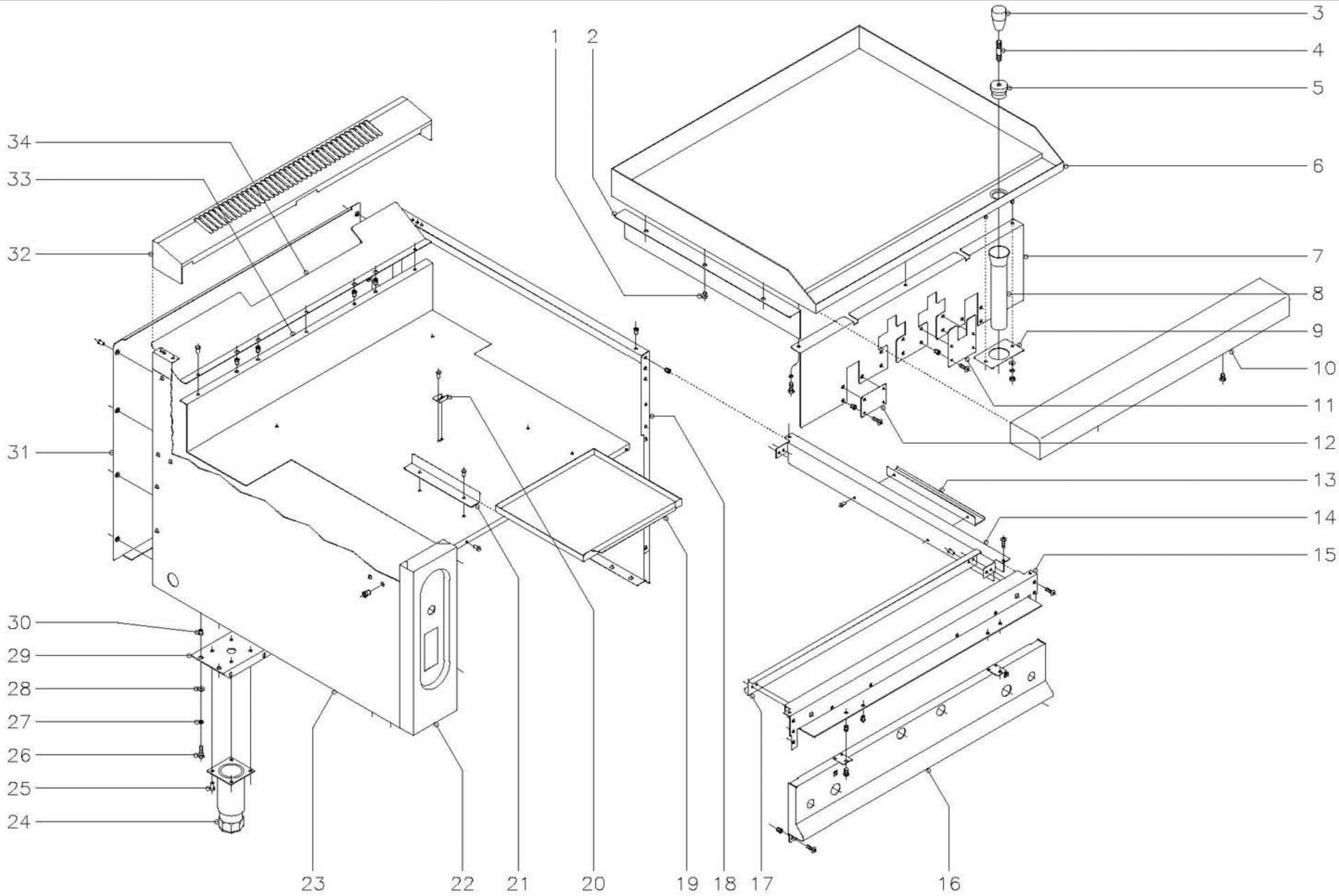
FTG9-11 CR

ENERO 2000

FAGOR



Fagor Industrial, S. Coop.



| | | | | | |
|------------------|-----------------------------|---------------|-----------------------------------|-------------|---|
| N plano C-768 | Firma <i>[Signature]</i> | Fecha 1-00 | Aparato FRYTOP + HORNO FTG9-11 | Lamina 1 | Fagor Industrial S.Coop. FAGOR  |
|------------------|-----------------------------|---------------|-----------------------------------|-------------|---|

0<ate

MOD.

FRYTOP + HORNO

ZONA

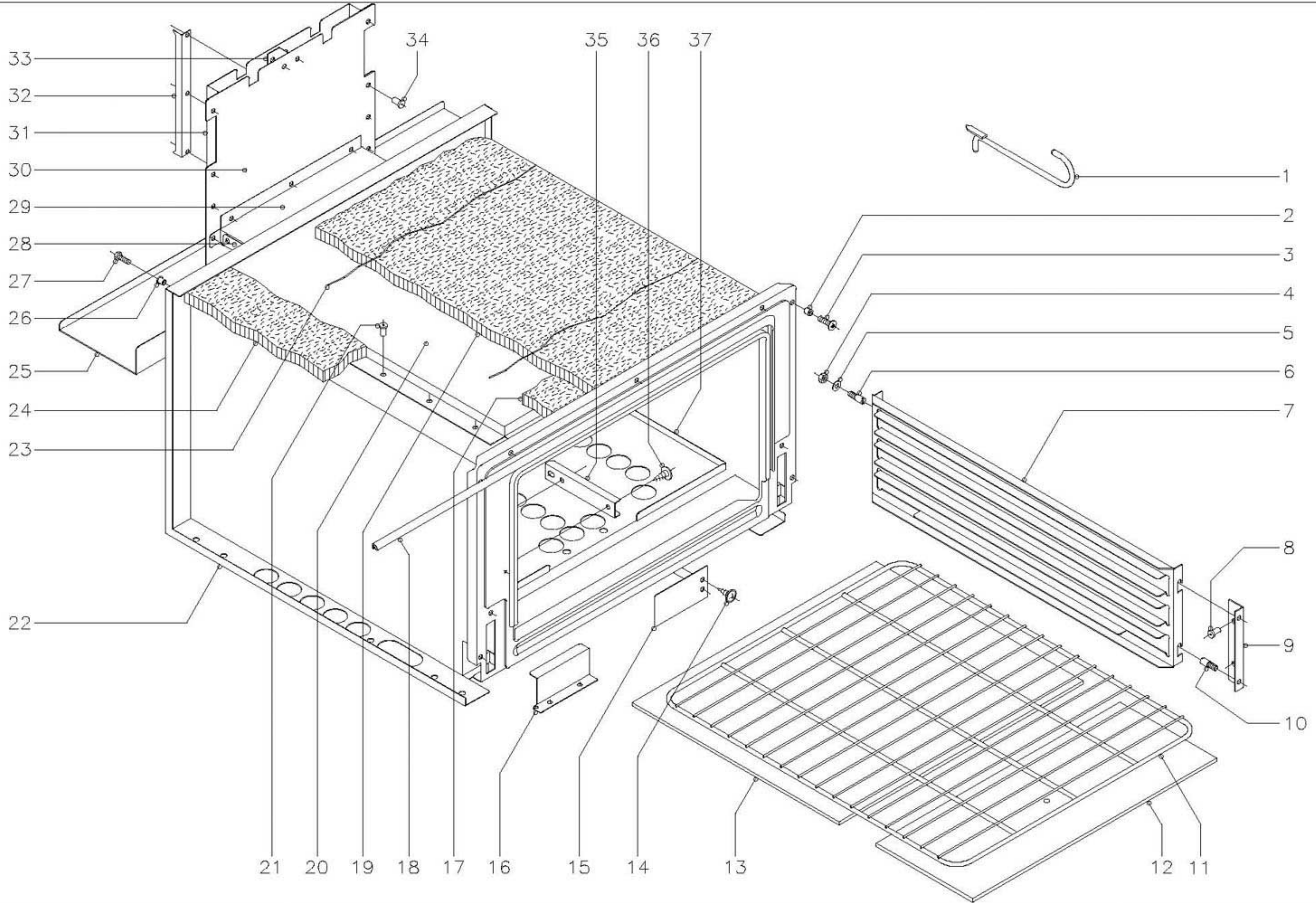
MUEBLE

PLANO

C-768

| ITEM | CODIGO | DENOMINACION | TEXTO | FTG9-11 | | | | | | | | | NOTAS |
|------|---------|---------------------------------|-------|---------|--|--|--|--|--|--|--|--|--------------------|
| 1 | R165414 | Apoyo lateral | | 6 | | | | | | | | | |
| 2 | R152611 | Liston lateral | | 2 | | | | | | | | | |
| 3 | S116122 | Mando pomo | | 1 | | | | | | | | | (SOLO CROMODURO) |
| 4 | R619913 | Alargadera | | 1 | | | | | | | | | (SOLO CROMODURO) |
| 5 | R619912 | Tapon rebosadero | | 1 | | | | | | | | | (SOLO CROMODURO) |
| 6 | R165437 | Plancha lisa | | 1 | | | | | | | | | |
| 6 | R165443 | Plancha lisa cromoduro | | 1 | | | | | | | | | |
| 6 | R165446 | Plancha rayada | | 1 | | | | | | | | | |
| 6 | R165447 | Plancha rayada cromoduro | | 1 | | | | | | | | | |
| 6 | R165444 | Plancha lisa + rayada | | 1 | | | | | | | | | |
| 6 | R165441 | Plancha lisa + rayada cromoduro | | 1 | | | | | | | | | |
| 7 | R602605 | Liston cubierta grifos | | 1 | | | | | | | | | |
| | Q262040 | Arandela muelle A-6 | | 3 | | | | | | | | | |
| | Q012042 | Tornillo exagonal M-6x15 | | 3 | | | | | | | | | |
| 8 | R155010 | Tubo desagüe | | 1 | | | | | | | | | |
| 9 | R152607 | Soporte tubo desagüe | | 1 | | | | | | | | | |
| | Q302022 | Arandela plana Ø16xØ6x1,2 | | 2 | | | | | | | | | |
| | Q262040 | Arandela muelle A-6 | | 2 | | | | | | | | | |
| | Q162040 | Tuerca exagonal M-6 | | 2 | | | | | | | | | |
| 10 | R165431 | Anterior de mesa 1 M. | | 1 | | | | | | | | | |
| | Q221342 | Remache exagonal M-5 | | 2 | | | | | | | | | |
| | Q152004 | Tornillo aplastado M-5x13 | | 2 | | | | | | | | | |
| 11 | R602602 | Protector grifo | | 2 | | | | | | | | | |
| | Q221342 | Remache exagonal M-5 | | 8 | | | | | | | | | |
| | Q152004 | Tornillo aplastado M-5x13 | | 8 | | | | | | | | | |
| 12 | R602604 | Protector inferior | | 1 | | | | | | | | | |
| | Q221342 | Remache exagonal M-5 | | 3 | | | | | | | | | |
| | Q152004 | Tornillo aplastado M-5x13 | | 3 | | | | | | | | | |

| ITEM | CODIGO | DENOMINACION | TEXTO | FTG9-11 | | | | | | | | | | NOTAS |
|-------------|---------------|-------------------------------|--------------|----------------|--|--|--|--|--|--|--|--|--|--------------|
| 13 | R152601 | Tirante lateral | | 2 | | | | | | | | | | |
| | Q419005 | Remache tubular Ø4x8 | | 4 | | | | | | | | | | |
| 14 | R152807 | Lateral de mesa | | 2 | | | | | | | | | | |
| | Q152004 | Tornillo aplastado M-5x13 | | 4 | | | | | | | | | | |
| | Q221342 | Remache exagonal M-5 | | 4 | | | | | | | | | | |
| 15 | R162613 | Escuadra amarre anterior mesa | | 1 | | | | | | | | | | |
| | Q152004 | Tornillo aplastado M-5x13 | | 6 | | | | | | | | | | |
| | Q221342 | Remache exagonal M-5 | | 6 | | | | | | | | | | |
| 16 | R602801 | Panel portamandos | | 1 | | | | | | | | | | |
| | Q152004 | Tornillo aplastado M-5x13 | | 4 | | | | | | | | | | |
| | Q221342 | Remache exagonal M-5 | | 4 | | | | | | | | | | |
| 17 | R602606 | Anterior interior de mesa | | 1 | | | | | | | | | | |
| | Q419005 | Remache tubular Ø4x8 | | 4 | | | | | | | | | | |
| 18 | U562852 | Panel lateral derecho | | 1 | | | | | | | | | | |
| 19 | R602600 | Bandeja recoge grasas | | 1 | | | | | | | | | | |
| 20 | R202607 | Escuadra tope recoge grasas | | 1 | | | | | | | | | | |
| | Q419005 | Remache tubular Ø4x8 | | 2 | | | | | | | | | | |
| 21 | R612702 | Guia recoge grasas | | 2 | | | | | | | | | | |
| | Q419005 | Remache tubular Ø4x8 | | 4 | | | | | | | | | | |
| 22 | U562854 | Portamandos lateral | | 1 | | | | | | | | | | |
| | Q152004 | Tornillo aplastado M-5x13 | | 2 | | | | | | | | | | |
| 23 | X162810 | Panel lateral izquierdo | | 1 | | | | | | | | | | |
| 24 | X260150 | Pata regulable | | 4 | | | | | | | | | | |
| 25 | Q411304 | Remache avibulb Ø4,8 | | 16 | | | | | | | | | | |
| 26 | Q012043 | Tornillo exagonal M-6x20 | | 8 | | | | | | | | | | |
| 27 | Q262040 | Arandela muelle A-6 | | 8 | | | | | | | | | | |
| 28 | Q302022 | Arandela plana Ø16xØ6x1,2 | | 8 | | | | | | | | | | |
| 29 | X172601 | Liston soporte patas 1 M. | | 2 | | | | | | | | | | |
| 30 | Q221343 | Remache exagonal M-6 | | 8 | | | | | | | | | | |



| | | | | | | |
|---------|---|-------|------------------------|--------|--------------------------|--|
| N plano | Firma | Fecha | Aparato | Lamina | Fagor Industrial S.Coop. | FAGOR  |
| C-769 |  | 1-00 | FRYTOP + HORNO FTG9-11 | 2 | 0<ate | |

MOD.

FRYTOP + HORNO

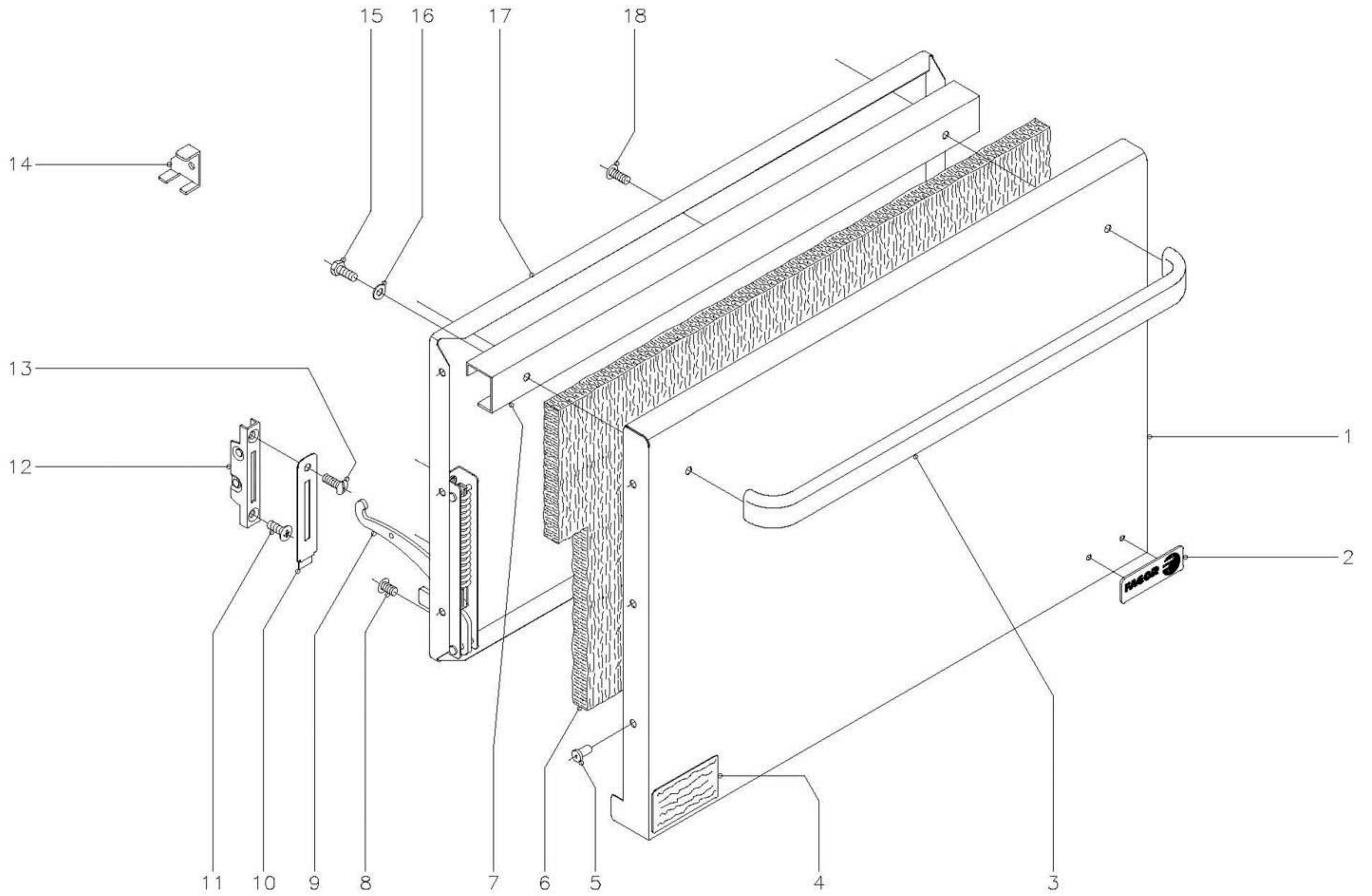
ZONA

HORNO

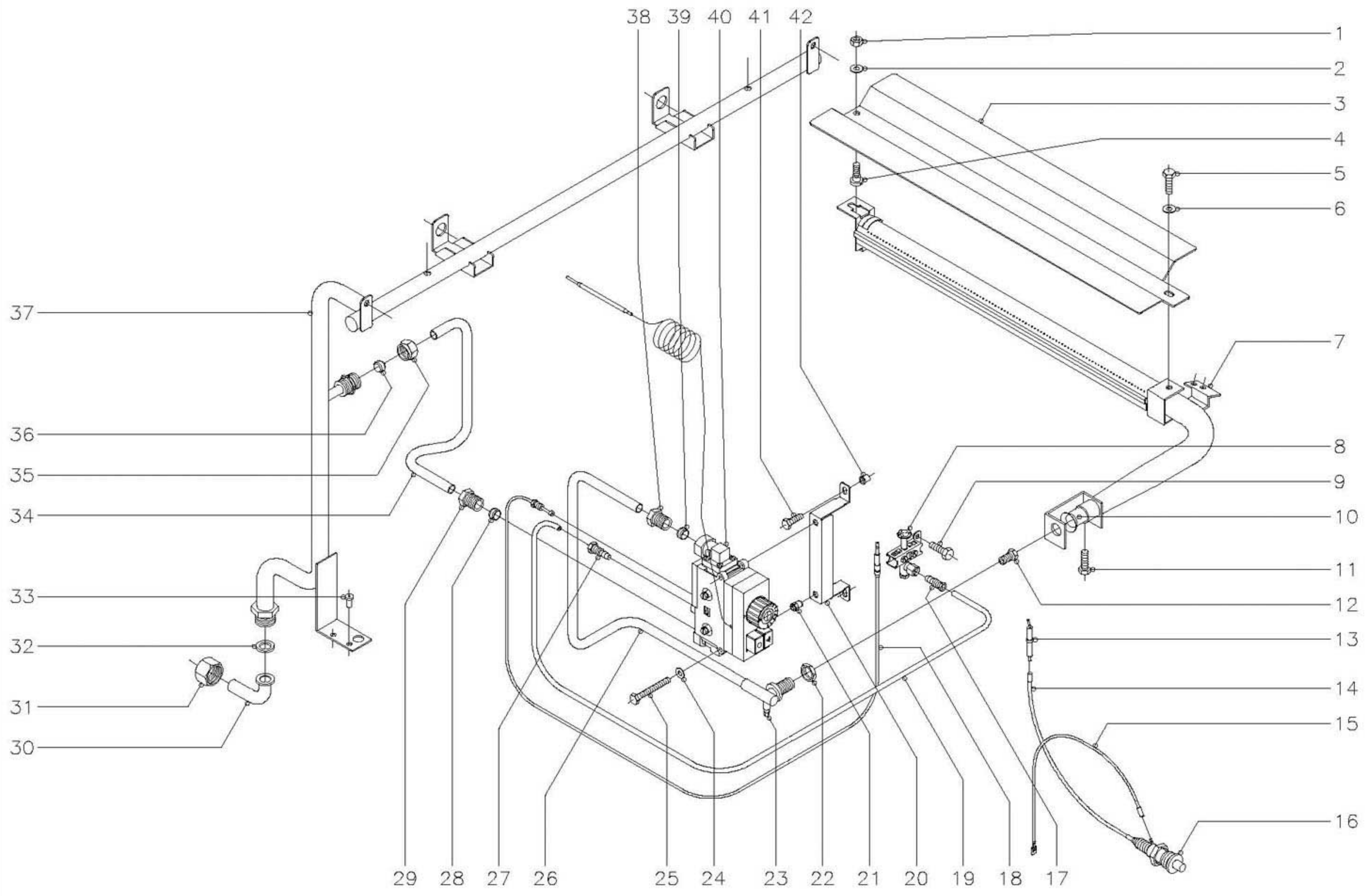
PLANO

C-769

| ITEM | CODIGO | DENOMINACION | TEXTO | FTG9-11 | | | | | | | | | | | | | | | | NOTAS |
|------|---------|--------------------------------|-------|---------|--|--|--|--|--|--|--|--|--|--|--|--|--|--|--|-------|
| 1 | 0623600 | Palanca levantaplacas | | 1 | | | | | | | | | | | | | | | | |
| 2 | Q221304 | Remache redondo M-5 | | 4 | | | | | | | | | | | | | | | | |
| 3 | Q152004 | Tornillo aplastado M-5x13 | | 4 | | | | | | | | | | | | | | | | |
| 4 | Q162040 | Tuerca exagonal M-6 | | 4 | | | | | | | | | | | | | | | | |
| 5 | Q302022 | Arandela plana Ø16xØ6x1,2 | | 4 | | | | | | | | | | | | | | | | |
| 6 | Q151336 | Tornillo soporte guias | | 4 | | | | | | | | | | | | | | | | |
| 7 | U325608 | Guia de bandejas | | 2 | | | | | | | | | | | | | | | | |
| 8 | Q419005 | Remache tubular Ø4x8 | | 4 | | | | | | | | | | | | | | | | |
| 9 | U325611 | Escuadra soporte guia bandejas | | 2 | | | | | | | | | | | | | | | | |
| 10 | Q151336 | Tornillo soporte guias | | 4 | | | | | | | | | | | | | | | | |
| 11 | U135635 | Parrilla de horno | | 1 | | | | | | | | | | | | | | | | |
| 12 | U745630 | Cabeza placa de horno | | 1 | | | | | | | | | | | | | | | | |
| 13 | U745631 | Placa de horno | | 1 | | | | | | | | | | | | | | | | |
| 14 | Q151401 | Tornillo alomado | | 2 | | | | | | | | | | | | | | | | |
| 15 | U325618 | Tapa salida humos | | 1 | | | | | | | | | | | | | | | | |
| 16 | U742610 | Protector quemador horno | | 1 | | | | | | | | | | | | | | | | |
| 17 | U745610 | Vitrofib 390x70x20 | | 1 | | | | | | | | | | | | | | | | |
| 18 | U745626 | Junta puerta horno | | 1 | | | | | | | | | | | | | | | | |
| 19 | U325621 | Vitrofib 1455x670x20 | | 1 | | | | | | | | | | | | | | | | |
| 20 | U745613 | Camara conduccion de humos | | 1 | | | | | | | | | | | | | | | | |
| 21 | Q419005 | Remache tubular Ø4x8 | | 17 | | | | | | | | | | | | | | | | |
| 22 | U745620 | Cuerpo de horno | | 1 | | | | | | | | | | | | | | | | |
| 23 | - | Alambre amarre aislante | | 2 | | | | | | | | | | | | | | | | |
| 24 | R660530 | Vitrofib 680x95x20 | | 2 | | | | | | | | | | | | | | | | |
| 25 | U562656 | Evacuacion calor mesa | | 1 | | | | | | | | | | | | | | | | |
| 26 | Q221321 | Remache redondo M-6 | | 2 | | | | | | | | | | | | | | | | |
| 27 | Q012043 | Tornillo exagonal M-6x20 | | 2 | | | | | | | | | | | | | | | | |
| 28 | U565610 | Union chimenea inferior | | 1 | | | | | | | | | | | | | | | | |
| 29 | U565609 | Union chimenea superior | | 1 | | | | | | | | | | | | | | | | |



| | | | | | | |
|---------|---|-------|------------------------|--------|--------------------------|--|
| N plano | Firma | Fecha | Aparato | Lamina | Fagor Industrial S.Coop. | FAGOR  |
| C-770 |  | 1-00 | FRYTOP + HORNO FTG9-11 | 3 | Ocate | |



| | | | | | | |
|---------|--------------------|-------|------------------------|--------|--------------------------|-------|
| N plano | Firma | Fecha | Aparato | Lamina | Fagor Industrial S.Coop. | FAGOR |
| C-771 | <i>D. J. J. J.</i> | 1-00 | FRYTOP + HORNO FTG9-11 | 4 | D. J. J. J. | |

MOD.

FRYTOP + HORNO

ZONA

PARTE FUNCIONAL HORNO

PLANO

C-771

| ITEM | CODIGO | DENOMINACION | TEXTO | FTG9-11 | | | | | | | | | | | | | | | | | NOTAS |
|------|---------|------------------------------|-------|---------|--|--|--|--|--|--|--|--|--|--|--|--|--|--|--|--|-------|
| 1 | Q162040 | Tuerca exagonal M-6 | | 1 | | | | | | | | | | | | | | | | | |
| 2 | Q302022 | Arandela plana Ø16xØ6x1,2 | | 1 | | | | | | | | | | | | | | | | | |
| 3 | U745705 | Difusor quemador horno | | 1 | | | | | | | | | | | | | | | | | |
| 4 | R252624 | Piton soporte | | 1 | | | | | | | | | | | | | | | | | |
| 5 | Q012041 | Tornillo exagonal M-6x10 | | 1 | | | | | | | | | | | | | | | | | |
| 6 | Q302022 | Arandela plana Ø16xØ6x1,2 | | 1 | | | | | | | | | | | | | | | | | |
| 7 | U745700 | Quemador de horno | | 1 | | | | | | | | | | | | | | | | | |
| 8 | U322118 | Piloto completo | | 1 | | | | | | | | | | | | | | | | | |
| 9 | Q012031 | Tornillo exagonal M-5x10 | | 2 | | | | | | | | | | | | | | | | | |
| 10 | U325707 | Regulador de aire | | 1 | | | | | | | | | | | | | | | | | |
| 11 | Q012031 | Tornillo exagonal M-5x10 | | 1 | | | | | | | | | | | | | | | | | |
| 12 | U052401 | Tobera Ø1,45 (B.P.) Horno | | 1 | | | | | | | | | | | | | | | | | |
| 12 | 1011600 | Tobera Ø2,25 (G.N.) Horno | | 1 | | | | | | | | | | | | | | | | | |
| 12 | 9424600 | Tobera Ø4,23 (G.V.) Horno | | 1 | | | | | | | | | | | | | | | | | |
| 13 | X012101 | Bujia de encendido | | 1 | | | | | | | | | | | | | | | | | |
| 14 | U323030 | Cable bujia a piezoelectrico | | 1 | | | | | | | | | | | | | | | | | |
| 15 | U333003 | Cable masa a piezoelectrico | | 1 | | | | | | | | | | | | | | | | | |
| 16 | S113034 | Piezoelectrico | | 1 | | | | | | | | | | | | | | | | | |
| 17 | U134323 | Racord con bicono Ø6 | | 1 | | | | | | | | | | | | | | | | | |
| 18 | U562130 | Termopar L=850 | | 1 | | | | | | | | | | | | | | | | | |
| 19 | U565036 | Conduccion a piloto de horno | | 1 | | | | | | | | | | | | | | | | | |
| 20 | U565620 | Soporte valvula minisit | | 1 | | | | | | | | | | | | | | | | | |
| 21 | Q221343 | Remache exagonal M-6 | | 2 | | | | | | | | | | | | | | | | | |
| 22 | Q223019 | Tuerca exagonal 3/8" | | 1 | | | | | | | | | | | | | | | | | |
| 23 | Q153002 | Tornillo toma presion | | 1 | | | | | | | | | | | | | | | | | |
| 24 | Q302022 | Arandela plana Ø16xØ6x1,2 | | 2 | | | | | | | | | | | | | | | | | |
| 25 | Q011348 | Tornillo exagonal M-6x60 | | 2 | | | | | | | | | | | | | | | | | |
| 26 | U565024 | Conduccion a quemador horno | | 1 | | | | | | | | | | | | | | | | | |
| 27 | U134323 | Racord con bicono Ø6 | | 1 | | | | | | | | | | | | | | | | | |

MOD.

FRYTOP+ HORNO

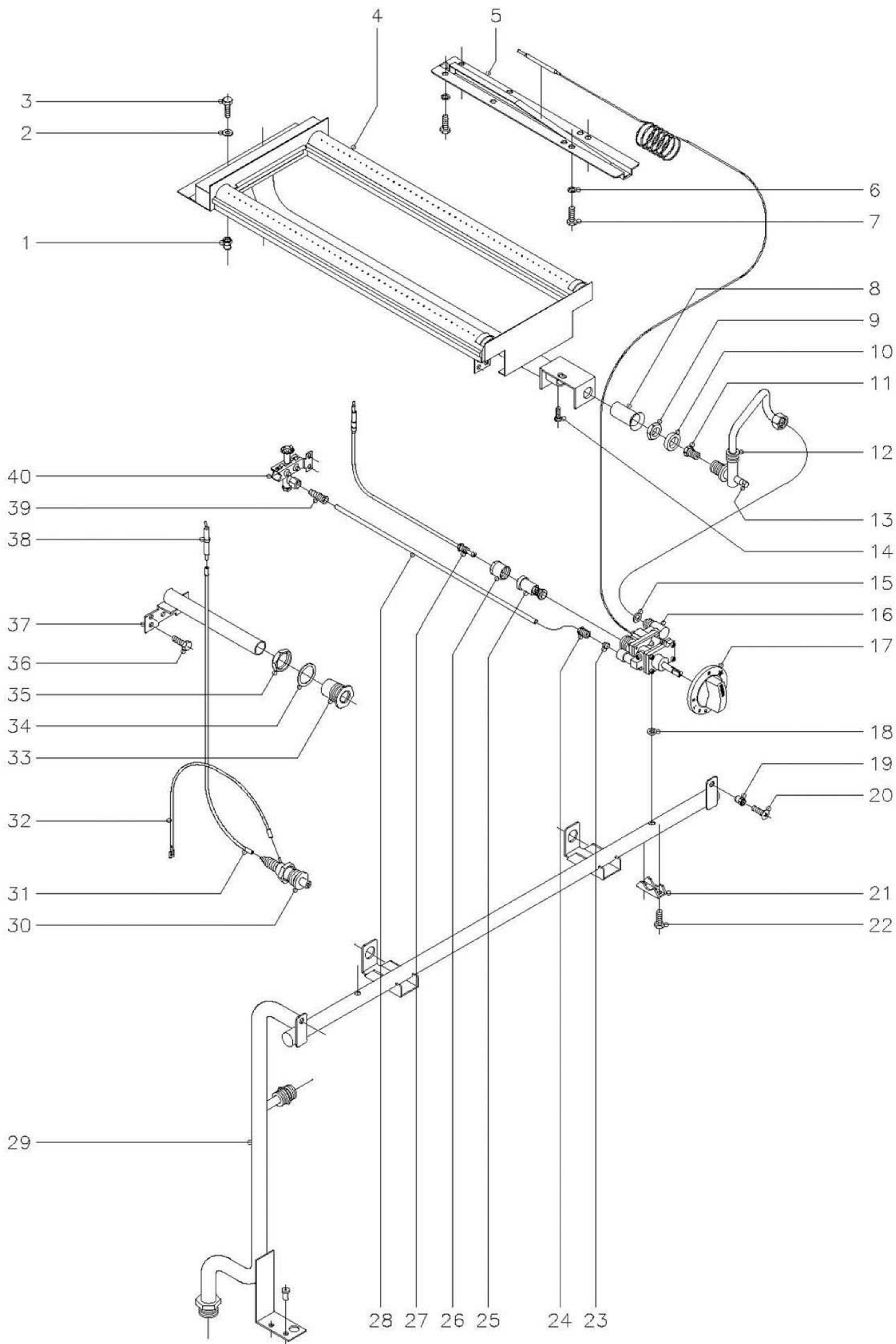
ZONA

PARTE FUNCIONAL HORNO

PLANO

C-771

| ITEM | CODIGO | DENOMINACION | TEXTO | FTG9-11 | | | | | | | | | | | | | | | NOTAS |
|------|---------|----------------------------------|-------|---------|--|--|--|--|--|--|--|--|--|--|--|--|--|--|-------|
| 28 | U055043 | Bicono Ø12 | | 1 | | | | | | | | | | | | | | | |
| 29 | U264310 | Manguito 3/8" | | 1 | | | | | | | | | | | | | | | |
| 30 | U565007 | Codo entrada gas | | 1 | | | | | | | | | | | | | | | |
| 31 | U725006 | Tuerca 3/4" | | 1 | | | | | | | | | | | | | | | |
| 32 | Q306052 | Arandela junta Ø23xØ15x2,5 | | 1 | | | | | | | | | | | | | | | |
| 33 | Q411304 | Remache avibulb Ø4,8 | | 2 | | | | | | | | | | | | | | | |
| 34 | U565023 | Tubo entrada a valvula | | 1 | | | | | | | | | | | | | | | |
| 35 | Q221334 | Tuerca 1/2" | | 1 | | | | | | | | | | | | | | | |
| 36 | U055043 | Bicono Ø12 | | 1 | | | | | | | | | | | | | | | |
| 37 | R605000 | Conduccion general (B.P.y G.N.) | | 1 | | | | | | | | | | | | | | | |
| 38 | U264310 | Manguito 3/8" | | 1 | | | | | | | | | | | | | | | |
| 39 | U055043 | Bicono Ø12 | | 1 | | | | | | | | | | | | | | | |
| 40 | U264315 | Valvula minisit completa | | 1 | | | | | | | | | | | | | | | |
| | U134316 | Cuerpo valvula | | 1 | | | | | | | | | | | | | | | |
| | U134317 | Boton de mando | | 1 | | | | | | | | | | | | | | | |
| | U134318 | Cubierta | | 1 | | | | | | | | | | | | | | | |
| | U264300 | Racord 3/8" | | 2 | | | | | | | | | | | | | | | |
| | Q031322 | Tornillo alomado M-4x15 | | 8 | | | | | | | | | | | | | | | |
| | Q307041 | Junta torica Ø25,4xØ20,2xØ2,6 | | 2 | | | | | | | | | | | | | | | |
| | U264398 | Bulbo termostato horno | | 1 | | | | | | | | | | | | | | | |
| | U264399 | Grupo electromagnetico | | 1 | | | | | | | | | | | | | | | |
| 41 | Q012032 | Tornillo exagonal M-5x15 | | 2 | | | | | | | | | | | | | | | |
| 42 | Q221304 | Remache redondo M-5 | | 2 | | | | | | | | | | | | | | | |
| | | | | | | | | | | | | | | | | | | | |
| | | | | | | | | | | | | | | | | | | | |
| | | | | | | | | | | | | | | | | | | | |
| | | | | | | | | | | | | | | | | | | | |
| | | | | | | | | | | | | | | | | | | | |



N plano
C-772

Firma
[Signature]

Fecha
1-00

Aparato (B.P.; G.N.)
FRYTOP + HORNO FTG9-11

Lamina
5

Fagor Industrial S.Coop.
Olate



MOD.

FRYTOP + HORNO

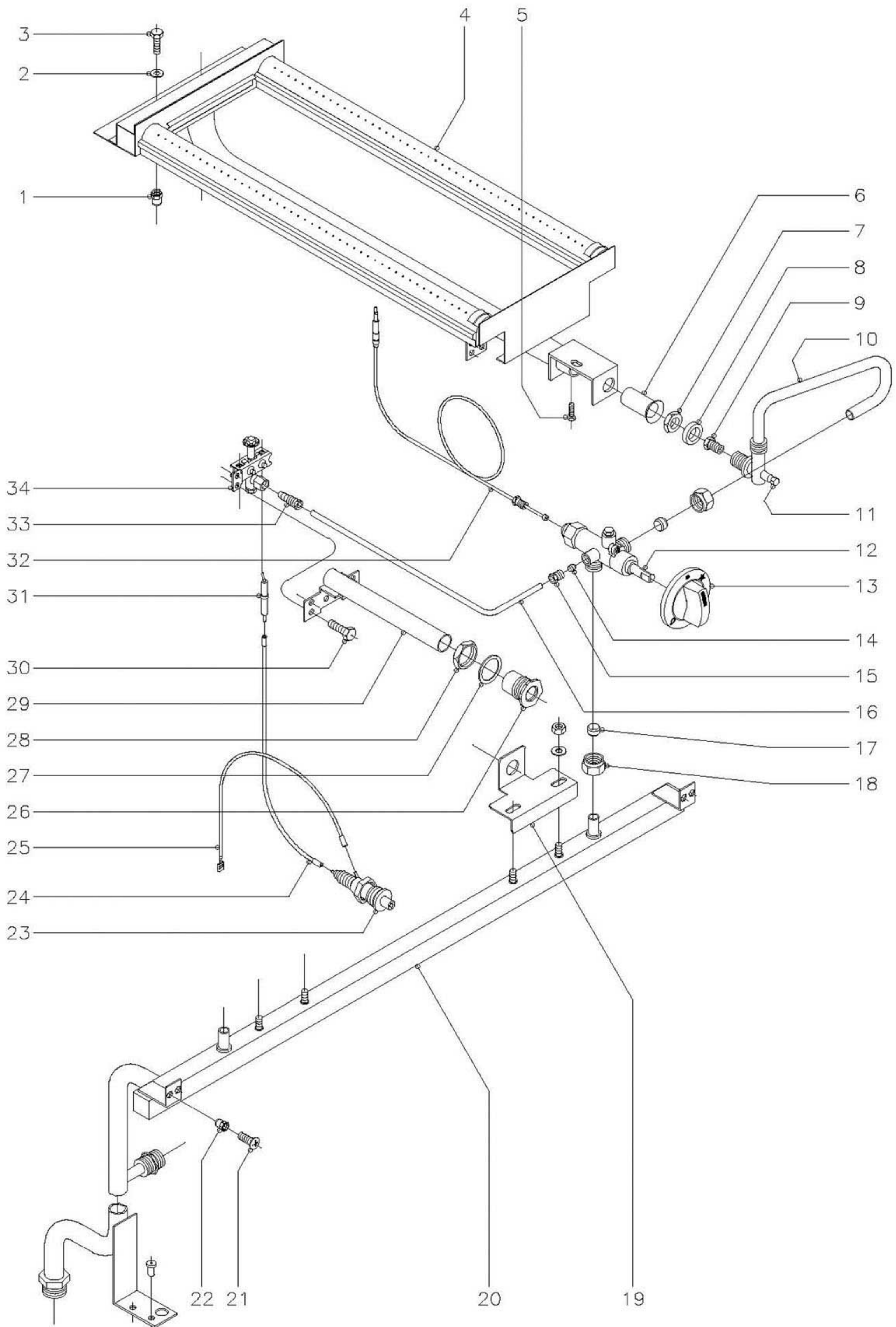
ZONA

PARTE FUNCIONAL FRYTOP (B.P.y G.N.)

PLANO

C-772

| ITEM | CODIGO | DENOMINACION | TEXTO | FTG9-11 | | | | | | | | | | | | | | | NOTAS |
|------|---------|-----------------------------------|-------|---------|--|--|--|--|--|--|--|--|--|--|--|--|--|--|-----------------------|
| 1 | Q221342 | Remache exagonal M-5 | | 4 | | | | | | | | | | | | | | | |
| 2 | Q302022 | Arandela plana Ø16xØ6x1,2 | | 4 | | | | | | | | | | | | | | | |
| 3 | Q012031 | Tornillo exagonal M-5x10 | | 4 | | | | | | | | | | | | | | | |
| 4 | R635700 | Quemador frytop | | 2 | | | | | | | | | | | | | | | |
| 5 | R162630 | Conjunto soporte bulbo | | 2 | | | | | | | | | | | | | | | |
| 6 | Q242030 | Arandela muelle A-5 | | 8 | | | | | | | | | | | | | | | |
| 7 | Q012032 | Tornillo exagonal M-5x15 | | 8 | | | | | | | | | | | | | | | |
| 8 | U325707 | Regulador de aire | | 2 | | | | | | | | | | | | | | | |
| 9 | Q223019 | Tuerca exagonal 3/8" | | 2 | | | | | | | | | | | | | | | |
| 10 | Q301323 | Arandela Ø25xØ17x6 | | 2 | | | | | | | | | | | | | | | |
| 11 | 9105100 | Tobera Ø1,50 (Butano-Propano) | | 2 | | | | | | | | | | | | | | | |
| 11 | U052401 | Tobera Ø1,45 (Butano-Propano) | | 2 | | | | | | | | | | | | | | | (VERSION CROMODURO) |
| 11 | 1011600 | Tobera Ø2,25 (Gas Natural) | | 2 | | | | | | | | | | | | | | | |
| 11 | U262400 | Tobera Ø2,15 (Gas Natural) | | 2 | | | | | | | | | | | | | | | (VERSION CROMODURO) |
| 12 | R605008 | Conduccion a quemador derecho | | 1 | | | | | | | | | | | | | | | |
| s/n | R605003 | Conduccion a quemador izquierdo | | 1 | | | | | | | | | | | | | | | |
| 13 | Q153002 | Tornillo toma presion | | 2 | | | | | | | | | | | | | | | |
| 14 | Q012042 | Tornillo exagonal M-6x15 | | 2 | | | | | | | | | | | | | | | |
| 15 | Q306026 | Arandela junta Ø14xØ8,5x1,5 | | 2 | | | | | | | | | | | | | | | |
| 16 | R612101 | Termostato MTZ-7200 (120-310°C) | | 2 | | | | | | | | | | | | | | | |
| 17 | R202103 | Boton de mando Ø 8 | | 2 | | | | | | | | | | | | | | | |
| 18 | Q307034 | Junta de estanqueidad termostato | | 2 | | | | | | | | | | | | | | | |
| 19 | Q221342 | Remache exagonal M-5 | | 2 | | | | | | | | | | | | | | | |
| 20 | Q152004 | Tornillo aplastado M-5x13 | | 2 | | | | | | | | | | | | | | | |
| 21 | Z982018 | Brida amarre termostato | | 2 | | | | | | | | | | | | | | | |
| 22 | Q151317 | Tornillo exagonal M-5x22 | | 4 | | | | | | | | | | | | | | | |
| 23 | X205028 | Bicono Ø 6 | | 2 | | | | | | | | | | | | | | | |
| 24 | U195009 | Manguito empalme | | 2 | | | | | | | | | | | | | | | |
| 25 | 6002705 | Grupo electromagnetico | | 2 | | | | | | | | | | | | | | | |



N plano
C-773

Firma
D. J. J. J.

Fecha
1-00

Aparato
(GAS VILLA)
FRYTOP + HORNO FTG9-11

Lamina
6

Fagor Industrial S.Coop.
Ocate



MOD.

FRYTOP + HORNO

ZONA

PARTE FUNCIONAL FRYTOP (GAS VILLA)

PLANO

C-773

| ITEM | CODIGO | DENOMINACION | TEXTO | FTG9-11 | | | | | | | | | | | | | | | NOTAS |
|------|---------|-------------------------------------|-------|---------|--|--|--|--|--|--|--|--|--|--|--|--|--|--|------------------------------|
| 1 | Q221342 | Remache exagonal M-5 | | 4 | | | | | | | | | | | | | | | |
| 2 | Q302022 | Arandela plana Ø16xØ6x1,2 | | 4 | | | | | | | | | | | | | | | |
| 3 | Q012031 | Tornillo exagonal M-5x10 | | 4 | | | | | | | | | | | | | | | |
| 4 | R635700 | Quemador frytop | | 2 | | | | | | | | | | | | | | | |
| 5 | Q012042 | Tornillo exagonal M-6x15 | | 2 | | | | | | | | | | | | | | | |
| 6 | U325707 | Regulador de aire | | 2 | | | | | | | | | | | | | | | |
| 7 | Q223019 | Tuerca exagonal 3/8" | | 2 | | | | | | | | | | | | | | | |
| 8 | Q301323 | Arandela Ø 25xØ17x6 | | 2 | | | | | | | | | | | | | | | |
| 9 | X102403 | Tobera Ø 4,58 (Gas Villa) | | 2 | | | | | | | | | | | | | | | (NO HAY VERSION CROMODURO) |
| 10 | R605011 | Conduccion a quemador derecho | | 1 | | | | | | | | | | | | | | | |
| s/n | R605013 | Conduccion a quemador izquierdo | | 1 | | | | | | | | | | | | | | | |
| 11 | Q153002 | Tornillo toma presion | | 2 | | | | | | | | | | | | | | | |
| 12 | R612100 | Grifo CAL-3200 (min. 0,8) | | 2 | | | | | | | | | | | | | | | |
| 13 | U542100 | Boton de mando Ø 10 | | 2 | | | | | | | | | | | | | | | |
| 14 | X205028 | Bicono Ø 6 | | 2 | | | | | | | | | | | | | | | |
| 15 | U195009 | Manguito empalme | | 2 | | | | | | | | | | | | | | | |
| 16 | R605015 | Conduccion a piloto derecho | | 1 | | | | | | | | | | | | | | | |
| s/n | R605016 | Conduccion a piloto izquierdo | | 1 | | | | | | | | | | | | | | | |
| 17 | U055043 | Bicono Ø 12 | | 4 | | | | | | | | | | | | | | | |
| 18 | Q221336 | Tuerca M-18x1,5 | | 4 | | | | | | | | | | | | | | | |
| 19 | U845007 | Escuadra amarre quemador | | 2 | | | | | | | | | | | | | | | |
| | Q302022 | Arandela plana Ø16xØ6x1,2 | | 4 | | | | | | | | | | | | | | | |
| | Q162040 | Tuerca exagonal M-6 | | 4 | | | | | | | | | | | | | | | |
| 20 | R605005 | Tubo distribuidor gen.(GAS VILLA) | | 1 | | | | | | | | | | | | | | | |
| 21 | Q152004 | Tornillo aplastado M-5x13 | | 2 | | | | | | | | | | | | | | | |
| 22 | Q221342 | Remache exagonal M-5 | | 2 | | | | | | | | | | | | | | | |
| 23 | S113034 | Piezoeléctrico | | 2 | | | | | | | | | | | | | | | |
| 24 | R613030 | Cable bujia a piezoeléctrico | | 2 | | | | | | | | | | | | | | | |
| 25 | U333003 | Cable masa a piezoeléctrico | | 2 | | | | | | | | | | | | | | | |

| MOD. | | FRYTOP + HORNO | | ZONA | PIEZAS ESPECIFICAS PARA LOS DISTINTOS GASES | | | | | | | PLANO | C-771 C-772 C-773 | |
|------|---------|--------------------------------|-------|---------|---|--|--|--|--|--|--|-------|-----------------------------|--|
| ITEM | CODIGO | DENOMINACION | TEXTO | FTG9-11 | | | | | | | | | NOTAS | |
| | | <u>BUTANO - PROPANO</u> | | | | | | | | | | | | |
| 12 | U052401 | Tobera Ø 1,45 (Horno) | | 1 | | | | | | | | | (C-771) | |
| 11 | 9105100 | Tobera Ø 1,50 (Frytop) | | 2 | | | | | | | | | (C-772) | |
| 11 | U052401 | Tobera Ø 1,45 (Frytop) | | 2 | | | | | | | | | (C-772) VERSION CROMODURO | |
| s/n | U136501 | Indicador (But. Pro.) | | 1 | | | | | | | | | | |
| | | | | | | | | | | | | | | |
| | | | | | | | | | | | | | | |
| | | <u>GAS NATURAL</u> | | | | | | | | | | | | |
| 12 | 1011600 | Tobera Ø 2,25 (Horno) | | 1 | | | | | | | | | (C-771) | |
| 11 | 1011600 | Tobera Ø 2,25 (Frytop) | | 2 | | | | | | | | | (C-772) | |
| 11 | U262400 | Tobera Ø 2,15 (Frytop) | | 2 | | | | | | | | | (C-772) VERSION CROMODURO | |
| s/n | U134402 | Indicador (Gas Natural) | | 1 | | | | | | | | | | |
| | | | | | | | | | | | | | | |
| | | | | | | | | | | | | | | |
| | | <u>GAS VILLA</u> | | | | | | | | | | | | |
| 12 | 9424600 | Tobera Ø 4,23 (Horno) | | 1 | | | | | | | | | (C-771) | |
| 9 | X102403 | Tobera Ø 4,58 (Frytop) | | 2 | | | | | | | | | (C-773) | |
| | | NO HAY VERSION CROMODURO | | | | | | | | | | | | |
| s/n | U134310 | Indicador (Gas Villa) | | 1 | | | | | | | | | | |
| | | | | | | | | | | | | | | |
| | | | | | | | | | | | | | | |
| | | | | | | | | | | | | | | |
| | | | | | | | | | | | | | | |
| | | | | | | | | | | | | | | |