

---

DESPIECE TECNICO

---

**Fry-Tops  
Fry-Tops  
Fry-Tops  
Griddle-Platten  
Fry-Tops  
Fry-Tops**

**GAMA 700**

**Modelos:**

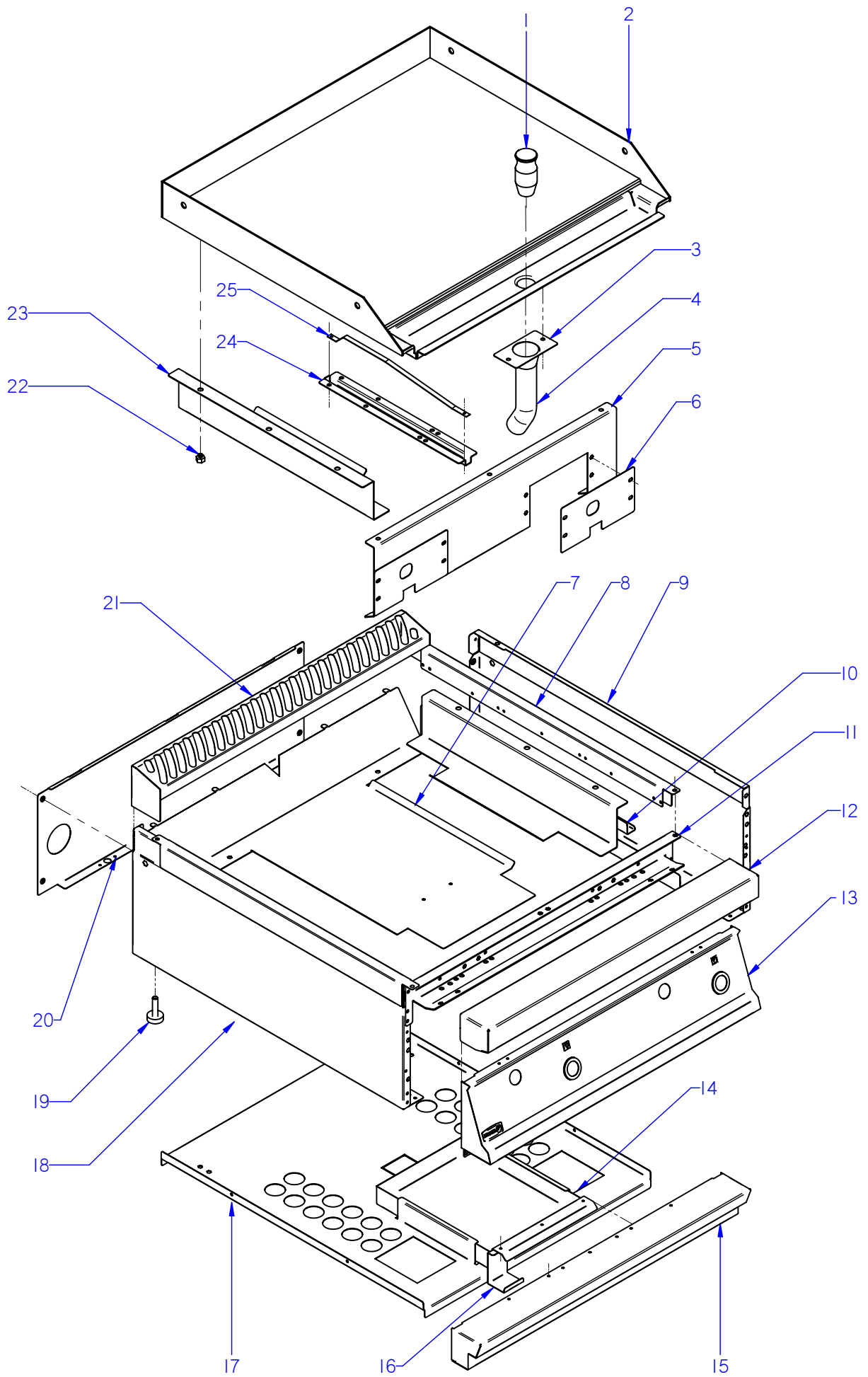
**FTG7-05  
FTG7-10  
FTG7-05 V  
FTG7-10 V  
FTE7-05  
FTE7-10**

*Junio 2008 June*

*Revisado Septiembre 2010*



**Fagor Industrial**



ITEM MARCADO EN COLOR = REPUESTO RECOMENDADO  
 COLOURED ITEM = RECOMMENDED SPARE PART

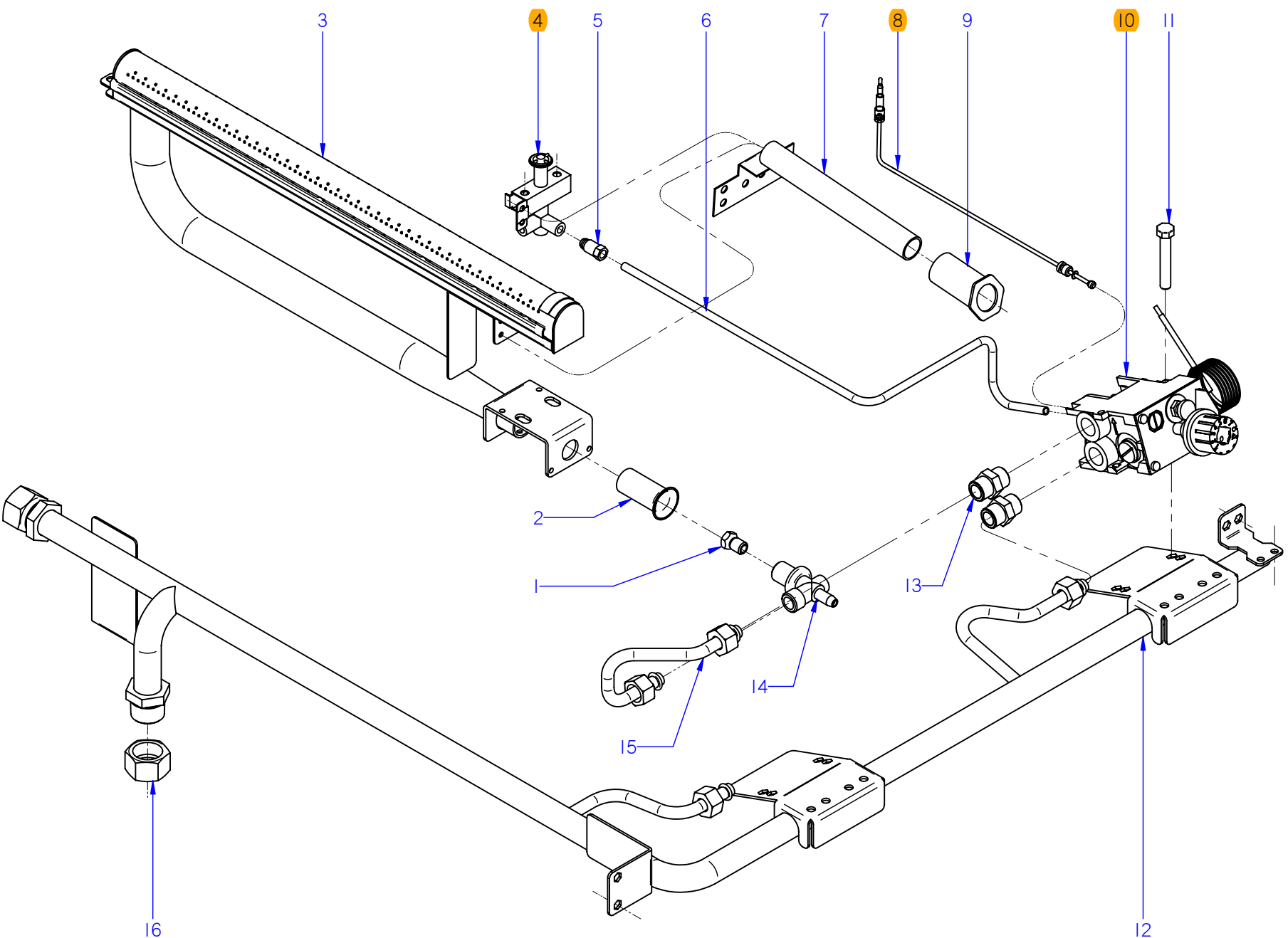
N plano	Firma	Fecha	Aparato	MUEBLE	Lamina	Fagor Industrial S.Coop. <b>FAGOR</b>
C-2074	<i>(Signature)</i>	2008-06	FRY-TOP FTG7-05 / FTG7-10		1	Oñate

MOD.		FRY-TOP		ZONA	MUEBLE				PLANO	C-2074
ITEM	CODIGO	DENOMINACION	TEXTO	FTG7-05	FTG7-10	FTG7-05 V	FTG7-10 V			NOTAS
1	R045415000	TAPON DESAGÜE CR-DURO	DRAINAGE CAP CHROME PLATE	1	1	-	-			SOLO CROMO DURO
2	R905409000	PLANCHA FTG-705 L EUROSIT	PLATE FTG-705 L EUROSIT	1	-	-	-			
2	R905424000	PLANCHA FTG-705 R EUROSIT	PLATE FTG-705 R EUROSIT	1	-	-	-			
2	R785411000	PLANCHA FTG/C-705 L EUROSIT	PLATE FTG/C-705 L EUROSIT	1	-	-	-			
2	R905403000	PLANCHA FTG-710 L EUROSIT	PLATE FTG-710 L EUROSIT	-	1	-	-			
2	R905420000	PLANCHA FTG-710 R EUROSIT	PLATE FTG-710 R EUROSIT	-	1	-	-			
2	R905421000	PLANCHA FTG-710 L+R EUROSIT	PLATE FTG-710 L+R EUROSIT	-	1	-	-			
2	R795443000	PLANCHA FTG/C-710 L EUROSIT	PLATE FTG/C-710 L EUROSIT	-	1	-	-			
2	R905413000	PLANCHA FTG-705 L VALVULA	PLATE FTG-705 L VALVE	-	-	1	-			
2	R905427000	PLANCHA FTG-705 R VALVULA	PLATE FTG-705 R VALVE	-	-	1	-			
2	R905408000	PLANCHA FTG-710 L VALVULA	PLATE FTG-710 L VALVE	-	-	-	1			
2	R905422000	PLANCHA FTG-710 R VALVULA	PLATE FTG-710 R VALVE	-	-	-	1			
2	R905423000	PLANCHA FTG-710 L+R VALVULA	PLATE FTG-710 L+R VALVE	-	-	-	1			
3	R152607000	SOPORTE TUBO DESAGÜE	DRAINAGE PIPE SUPPORT	1	1	1	1			
	Q302022000	ARANDELA 16X6X1.2 A.304	WASHER 16X6X1.2 A.304	2	2	2	2			
	Q162040000	TUERCA EXAGONAL M6	HEXAGONAL NUT M6	2	2	2	2			
4	R905024000	TUBO DESAGÜE FRY-TOP G-750Q	DRAINAGE PIPE FRY-TOP G-750Q	1	1	1	1			
5	R902616000	LISTON FRONTAL FTG-705	FRONT STRIP FTG-705	1	-	-	-			
5	R902615000	LISTON FRONTAL FTG-710	FRONT STRIP FTG-710	-	1	-	-			
5	R905410000	LISTON FRONTAL FTG-710 CD	FRONT STRIP FTG-710 CD	-	1	-	-			
5	R902613000	LISTON FRONTAL FTG-705V	FRONT STRIP FTG-705 V	-	-	1	-			
5	R902609000	LISTON FRONTAL FTG-710V	FRONT STRIP FTG-710 V	-	-	-	1			
	Q012041000	TORNILLO EXAGONAL M6X10 A.304	HEXAGONAL BOLT M6X10 A.304	2	2	2	3			
	Q262040000	ARANDELA GROW. A6 A.304	WASHER GROW. A6 A.304	2	2	2	3			
	Q302022000	ARANDELA 16X6X1.2 A.304	WASHER 16X6X1.2 A.304	2	2	2	3			
6	R902610000	TAPA TUBO ENCEND.FRY-TOP	PIPE COVER LIGHTER. FRY-TOP	1	2	1	2			
	Q221342000	REMACHE EXAGONAL M5	HEXAGONAL RIVET M5	4	8	4	8			
	Q012031000	TORNILLO EXAGONAL M5X10 A.304	HEXAGONAL BOLT M5X10 A.304	4	8	4	8			

MOD.		FRY-TOP		ZONA	MUEBLE				PLANO	C-2074
ITEM	CODIGO	DENOMINACION	TEXTO	FTG7-05	FTG7-10	FTG7-05 V	FTG7-10 V			NOTAS
7	R902620000	SOPORTE DEFLECTOR FTG-705	DEFLECTOR SUPPORT FTG-705	1	-	1	-			
7	R902619000	SOPORTE DEFLECTOR FTG-710	DEFLECTOR SUPPORT FTG-710	-	1	-	1			
	Q419005000	REMACHE 4X8 ALMG3 / ALUMINIO	RIVET 4X8 ALMG3 / ALUMINIUM	4	4	4	4			
	Q221342000	REMACHE EXAGONAL M5	HEXAGONAL RIVET M5	2	2	2	2			
	Q419005000	REMACHE 4X8 ALMG3 / ALUMINIO	RIVET 4X8 ALMG3 / ALUMINIUM	2	2	2	2			
8	R905404000	LISTON LATERAL FRY-TOP	SIDE STRIP FRY-TOP	2	2	2	2			
	Q012031000	TORNILLO EXAGONAL M5X10 A.304	HEXAGONAL BOLT M5X10 A.304	4	4	4	4			
9	H122802000	PANEL LATERAL SUP. DCHO. G700	RIGHT SUP. SIDE PANEL G700	1	1	1	1			
	Q221342000	REMACHE EXAGONAL M5	HEXAGONAL RIVET M5	5	5	5	5			
	Q221343000	REMACHE EXAGONAL M6	HEXAGONAL RIVET M6	5	5	5	5			
	X010503000	CIERRE MUELLE	LOCK SPRING	1	1	1	1			
10	R792605000	TIRANTE LATERAL	SIDE TIE ROD	2	2	2	2			
	Q419005000	REMACHE 4X8 ALMG3 / ALUMINIO	RIVET 4X8 ALMG3 / ALUMINIUM	6	6	6	6			
11	H602602000	ESCUADRA AMARRE ANTER. 1/2 M	FRONT FASTENING BRACKET 1/2	1	-	1	-			
11	H602603000	ESCUADRA AMARRE ANTER. 1 M	FRONT FASTENING BRACKET 1	-	1	-	1			
	Q221342000	REMACHE EXAGONAL M5	HEXAGONAL RIVET M5	6	6	6	6			
12	H125403000	ANTERIOR MESA 1/2 M G700	FRONT BENCH 1/2M G700	1	-	1	-			
12	H125409000	ANTERIOR MESA 1 M G700	FRONT BENCH 1M G700	-	1	-	1			
	Q152004000	TORNIL. APLASTADO M5X13 A 304	FLAT HEADED SCREW M5x13 A 304	2	2	2	2			
13	R902814000	PORTAMANDOS FTG-705 EUR	CONTROL HOLDER FTG-705 E	1	-	-	-			
13	R902812000	PORTAMANDOS FTG-710 EUR	CONTROL HOLDER FTG-710 E	-	1	-	-			
13	R902805000	PORTAMANDOS FTG-705 V	CONTROL HOLDER FTG-705 V	-	-	1	-			
13	R902802000	PORTAMANDOS FTG-710 V	CONTROL HOLDER FTG-710 V	-	-	-	1			
	Q152004000	TORNIL. APLASTADO M5X13 A 304	FLAT HEADED SCREW M5x13 A 304	4	4	4	4			
	Q221343000	REMACHE EXAGONAL M6	HEXAGONAL RIVET M6	2	2	2	2			
	U912805000	ESCUDO FAGOR G700	FAGOR EMBLEM G700	1	1	1	1			
	Q221023000	CLIP SUJECIÓN RÁPIDA Ø5	RAPID CONNECT CLIP Ø5	2	2	2	2			
14	R902603000	CAJA RECOGEGRASAS G-750Q	GREASE COLLECTION TRAY G-750Q	1	1	1	1			

MOD.		FRY-TOP		ZONA	MUEBLE				PLANO	C-2074
ITEM	CODIGO	DENOMINACION	TEXTO	FTG7-05	FTG7-10	FTG7-05 V	FTG7-10 V			NOTAS
15	H122815000	ZOCALO ASA 1/2 MÓDULO	SKIRTING ASA 1/2 MODULE	1	-	1	-			
15	H122805000	ZOCALO ASA 1 MÓDULO	SKIRTING ASA 1 MODULE	-	1	-	1			
	Q012031000	TORNILLO EXAGONAL M5X10 A.304	HEXAGONAL BOLT M5X10 A.304	2	2	2	2			
	Q302022000	ARANDELA 16X6X1.2 A.304	WASHER 16X6X1.2 A.304	2	2	2	2			
16	H122816000	REFUERZO ASA	HANDLE REINFORCEMENT	2	2	2	2			
	Q419005000	REMACHE 4X8 ALMG3 / ALUMINIO	RIVET 4X8 ALMG3 / ALUMINIUM	2	2	2	2			
17	R902806000	BASE INFERIOR FTG-705 G-750Q	LOWER BASE FTG-705 G-750Q	1	-	1	-			
17	R902803000	BASE INFERIOR FTG-710 G-750Q	LOWER BASE FTG-710 G-750Q	-	1	-	1			
	Q419005000	REMACHE 4X8 ALMG3 / ALUMINIO	RIVET 4X8 ALMG3 / ALUMINIUM	4	4	4	4			
	Q221342000	REMACHE EXAGONAL M5	HEXAGONAL RIVET M5	2	2	2	2			
18	H122801000	PANEL LATERAL SUP. IZDO. G700	LEFT UPPER SIDE PANEL G700	1	1	1	1			
	Q221342000	REMACHE EXAGONAL M5	HEXAGONAL RIVET M5	5	5	5	5			
	Q221343000	REMACHE EXAGONAL M6	HEXAGONAL RIVET M6	5	5	5	5			
	X010503000	CIERRE MUELLE	LOCK SPRING	1	1	1	1			
	Q221343000	REMACHE EXAGONAL M6	HEXAGONAL RIVET M6	5	5	5	5			
19	Z200107000	PATA REGULABLE	ADJUSTABLE LEG	4	4	4	4			
	Q221345000	REMACHE EXAGONAL M10	HEXAGONAL RIVET M10	4	4	4	4			
20	H602804000	PANEL POSTERI. SUP. G700 1/2M	SUP. REAR PANEL G700 1/2M	1	-	1	-			
20	H602808000	PANEL POSTERIOR SUP. G700 1M	SUP REAR PANEL G700 1M	-	1	-	1			
	Q419005000	REMACHE 4X8 ALMG3 / ALUMINIO	RIVET 4X8 ALMG3 / ALUMINIUM	4	4	4	4			
	X010503000	CIERRE MUELLE	LOCK SPRING	3	3	3	3			
	Q419007000	REMACHE TUBULAR C/V D3.2X6	TUBULAR RIVET C/V D3.2X6	6	6	6	6			
21	H125404000	EMBELLECEDOR POSTER. 1/2 M	REAR TRIM. 1/2 M	1	-	1	-			
21	S565401000	EMBELLECEDOR POSTER. 1 M	REAR TRIM. 1 M	-	1	-	1			
22	R615412000	APOYO LATERAL	SIDE SUPPORT	6	6	6	6			
23	R902618000	PROTECCION LATERAL FTG 710	SIDE PROTECTION FTG 710	2	2	2	2			
24	R162631000	BASE SOPORTE BULBO	BASE BULB SUPPORT	1	2	-	-			
25	R162632000	SOPORTE BULBO	BULB SUPPORT	1	2	-	-			
	Q419005000	REMACHE 4X8 ALMG3 / ALUMINIO	RIVET 4X8 ALMG3 / ALUMINIUM	2	4	-	-			
	Q012043000	TORNILLO EXAGONAL M6X20 A.304	HEXAGONAL BOLT M6X20 A.304	4	8	-	-			

ITEM MARCADO EN COLOR = REPUESTO RECOMENDADO  
 COLOURED ITEM = RECOMMENDED SPARE PART

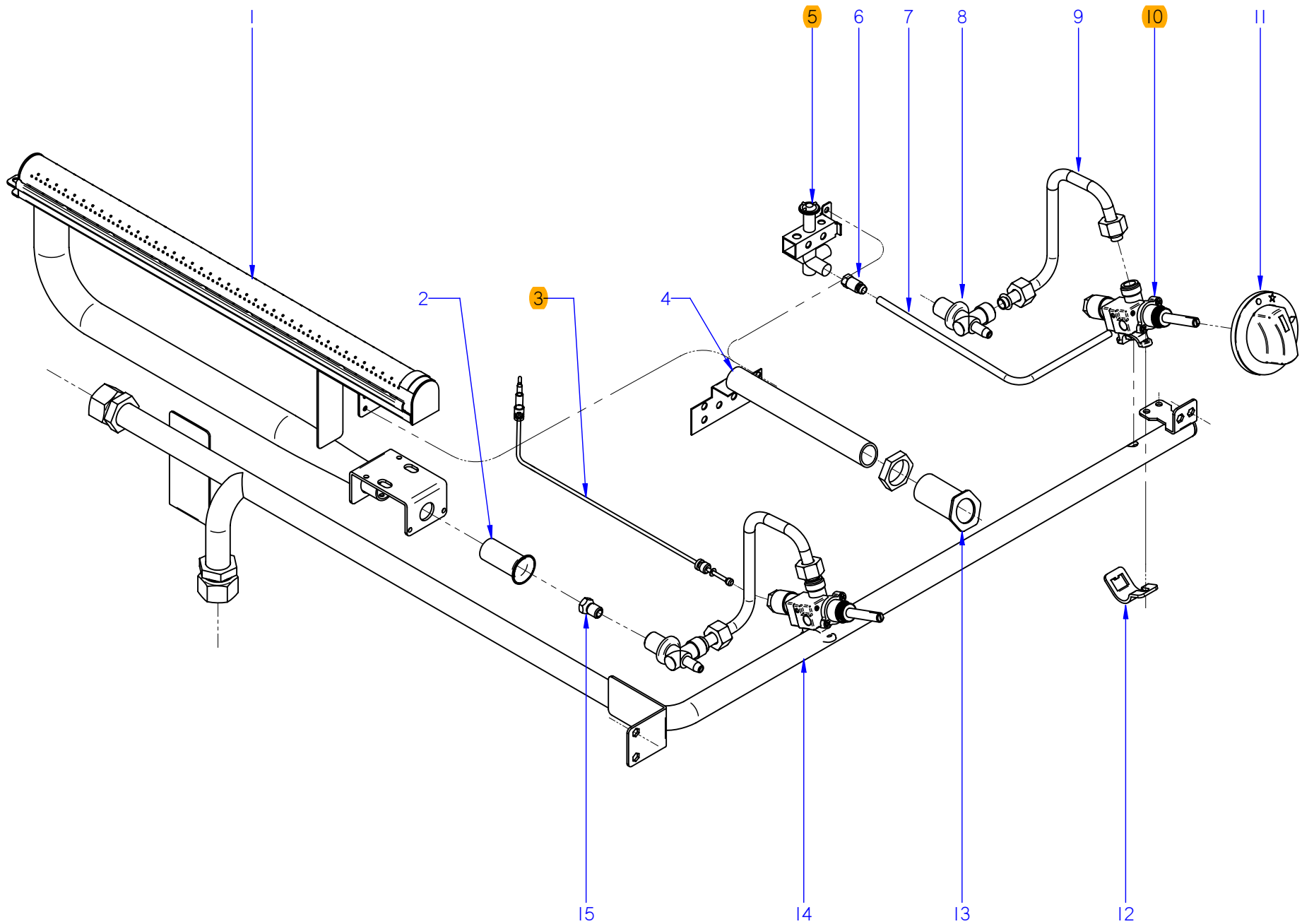


MOD.		FRY-TOP		ZONA	CONJUNTO FUNCIONAL				PLANO	C-2075
ITEM	CODIGO	DENOMINACION	TEXTO	FTG7-05	FTG7-10	FTGC7-05	FTGC7-10			NOTAS
1	R422400000	TOBERA DE Ø 1.25 B.P.	NOZZLE Ø 1.25 B.P.	1	2	—	—			
1	9271300000	TOBERA DE Ø 1.20 B.P.	NOZZLE Ø 1.20 B.P.	—	—	1	2			
1	9429500000	TOBERA DE Ø 1.90 G.N..	NOZZLE Ø 1.90 G.N..	1	2	—	—			
1	9429400000	TOBERA DE Ø1.80 G.N.	NOZZLE Ø1.80 G.N.	—	—	1	2			
2	U325707000	REGULADOR DE AIRE	AIR REGULATOR	1	2	1	2			
	Q012032000	TORNILLO EXAGONAL M5X15 A.304	HEXAGONAL BOLT M5X15 A.304	1	2	1	2			
3	R905702000	QUEMADOR COMPLETO FTG-710	COMPLETE BURNER FTG-710	1	2	1	2			
	Q419005000	REMACHE 4X8 ALMG3 / ALUMINIO	RIVET 4X8 ALMG3 / ALUMINIUM	2	4	2	4			
	Q012031000	TORNILLO EXAGONAL M5X10 A.304	HEXAGONAL BOLT M5X10 A.304	1	2	1	2			
	Q302022000	ARANDELA 16X6X1.2 A.304	WASHER 16X6X1.2 A.304	1	2	1	2			
4	U322118000	PILOTO COMPLETO 100.062	COMPLETE PILOT LIGHT 100.062	1	2	1	2			
	U442137000	INYECTOR Ø 0.4 GN	INJECTOR Ø 0.4 GN.	1	2	1	2			
	Q012031000	TORNILLO EXAGONAL M5X10 A.304	HEXAGONAL BOLT M5X10 A.304	2	4	2	4			
5	U134323000	RACORD BICONO 6 958.031	BICONE CONNECTION 6 958.031	2	4	2	4			
6	R905031000	TUBO PILOTO FTG EUR. G-750Q	PILOT PIPE FTG EUR. G-750Q	1	2	1	2			
7	R045014000	TUBO ENCENDIDO COMPLETO	COMPLETE IGNITION PIPE	1	2	1	2			
8	U562130000	TERMOPAR L=850	THERMOCOUPLE L=850	1	2	1	2			
9	R042822000	EMBELLECED. TUBO ENCENDIDO	IGNITION PIPE TRIM	1	2	1	2			
	Q221324000	TUERCA 3/4" GAS	NUT 3/4 GAS	1	2	1	2			
10	T982100000	VALVULA 630 EUR 630.343	VALVE 630 EUR 630.343	1	2	1	2			
	Q162030000	TUERCA EXAGONAL M5	HEXAGONAL NUT M5	2	4	2	4			
	Q232030000	ARANDELA A5	WASHER A5	2	4	2	4			
	T982102000	TAPON 3/8 972.061	CAP 3/8 972.061	2	4	2	4			
11	Q011338000	TORNILLO EXAGONAL M5X60	HEXAGONAL SCREW M5X60	2	4	2	4			
12	R905033000	DISTRIB. COM. FTG7-05 EUROSIT	DISTRIB. COM. FTG7-05 EUROSIT	1	—	1	—			
12	R905026000	DISTRIB. COM. FTG-710 EUROSIT	DISTRIB. COM. FTG7-10 EUROSIT	—	1	—	1			
	Q012031000	TORNILLO EXAGONAL M5X10 A.304	HEXAGONAL BOLT M5X10 A.304	4	4	4	4			
	Q302022000	ARANDELA Ø16X6X1.2 A.304	WASHER 16X6X1.2 A.304	4	4	4	4			
	Q221342000	REMACHE EXAGONAL M5	HEXAGONAL RIVET M5	2	2	2	2			
13	R155068000	MANGUITO 3/8"	HOSE 3/8"	2	4	2	4			
	Q306058000	ARANDELA 23,5X17,60X1,5	WASHER 23.5X17.60X1.5	2	4	2	4			





ITEM MARCADO EN COLOR = REPUESTO RECOMENDADO  
 COLOURED ITEM = RECOMMENDED SPARE PART



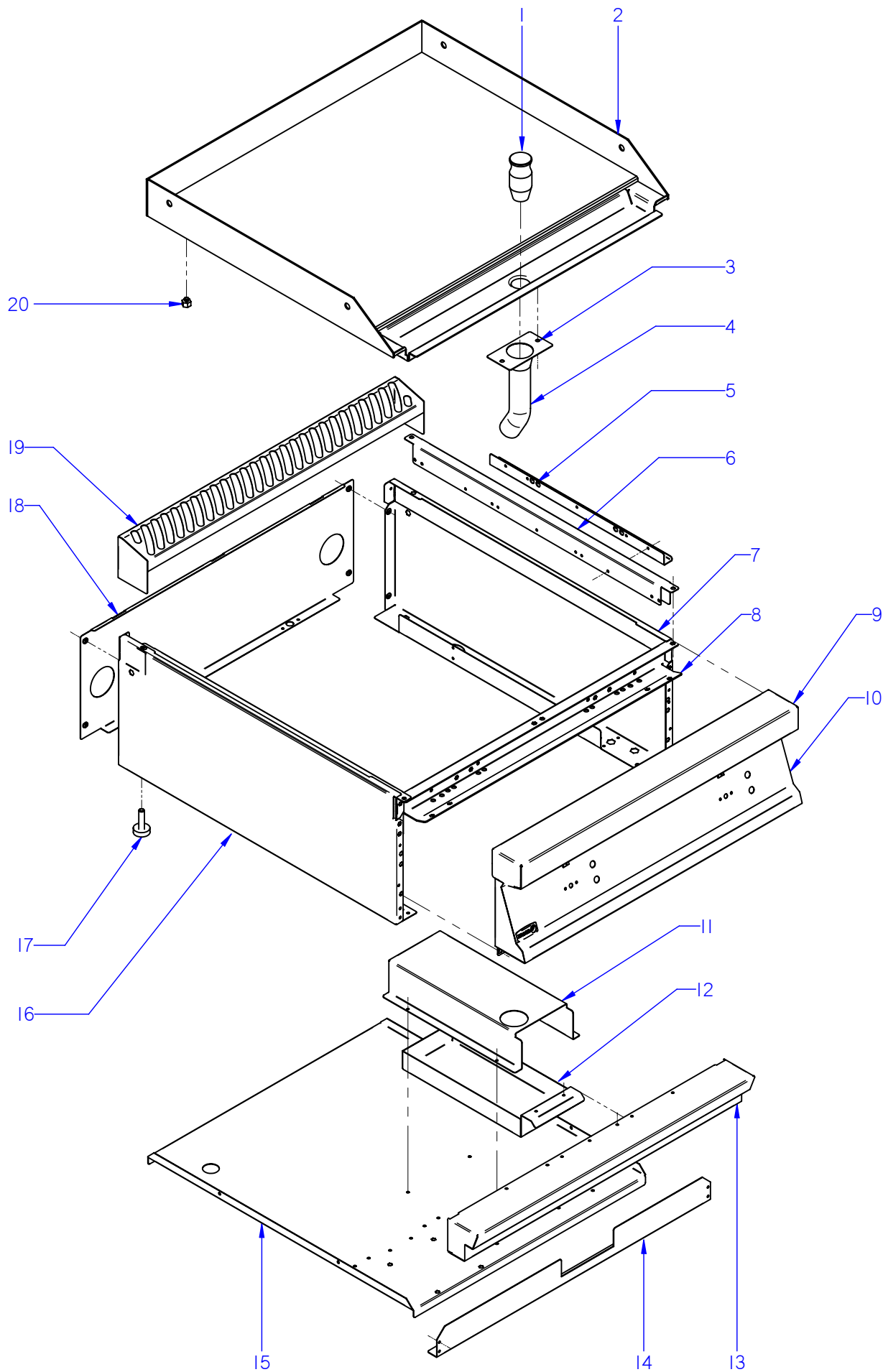
MOD.		FRY-TOP		ZONA	CONJUNTO FUNCIONAL				PLANO	C-2076
ITEM	CODIGO	DENOMINACION	TEXTO	FTG7-05 V	FTG7-10 V				NOTAS	
1	R905702000	QUEMADOR COMPLETO FTG-710	COMPLETE BURNER FTG-710	1	2					
	Q419005000	REMACHE 4X8 ALMG3 / ALUMINIO	RIVET 4X8 ALMG3 / ALUMINIUM	2	4					
	Q012031000	TORNILLO EXAGONAL M5X10 A.304	HEXAGONAL BOLT M5X10 A.304	1	2					
	Q302022000	ARANDELA 16X6X1.2 A.304	WASHER 16X6X1.2 A.304	1	2					
2	U325707000	REGULADOR DE AIRE	AIR REGULATOR	1	2					
	Q012032000	TORNILLO EXAGONAL M5X15 A.304	HEXAGONAL BOLT M5X15 A.304	1	2					
3	U562130000	TERMOPAR L=850	THERMOCOUPLE L=850	1	2		2			
4	R045014000	TUBO ENCENDIDO COMPLETO	COMPLETE IGNITION PIPE	1	2					
5	U322118000	PILOTO COMPLETO 100.062	COMPLETE PILOT LIGHT 100.062	1	2					
	U442137000	INYECTOR Ø 0.4 GN	INJECTOR Ø 0.4 GN.	1	2					
	Q012031000	TORNILLO EXAGONAL M5X10 A.304	HEXAGONAL BOLT M5X10 A.304	2	4					
6	U134323000	RACORD BICONO 6 958.031	BICONE CONNECTION 6 958.031	2	4					
7	R905016000	TUBO PILOTO FTG-710 V G-750Q	PILOT PIPE FTG-710 V G-750Q	1	2					
8	U265033000	PORTATOBERAS Ø10	NOZZLE HOLDER Ø10	1	2					
	Q301323000	ARANDELA Ø25X17X6	WASHER Ø25X17X6	1	2					
	Q223019000	TUERCA 3/8 GAS LATÓN	NUT 3/8 GAS BRASS	1	2					
	U635008000	TUERCA CIEGA 3/4	BLIND NUT 3/4	1	2					
	Q306051000	ARANDELA TAPON D 23.5x3	CAP WASHER Ø 23.5x3	1	2					
	Q153002000	TORNILLO TAPON	CAP BOLT	1	2					
9	R905014000	CONDUCCION QUEMADOR V FTG	BURNER PIPE V FTG	1	2					
	Q306062000	ARANDELA Ø13,9X10,33x1,5	WASHER Ø13.9X10.33x1.5	2	4					
10	R902102000	GRIFO 18700 BY-PASS 0,9	TAP 18700 BY-PASS 0.9	1	2					
11	H122101000	BOTON DE MANDO Ø8 G700	CONTROL BUTTON Ø8 G700	1	2					
12	U912104000	BRIDA AMARRE GRIFO 1/2"	TAP FASTENING FLANGE 1/2"	1	2					
	Q122032000	TORNILLO ALLEN M.5x15	ALLEN HEAD SCREW M.5x15	2	4					
13	R042822000	EMBELLECED. TUBO ENCENDIDO	IGNITION PIPE TRIM	1	2					
	Q221324000	TUERCA 3/4" GAS	NUT 3/4 GAS	1	2					

MOD.	<b>FRY-TOP</b>	ZONA	<b>CONJUNTO FUNCIONAL</b>	PLANO	<b>C-2076</b>
------	----------------	------	---------------------------	-------	---------------

ITEM	CODIGO	DENOMINACION	TEXTO	FTG7-05 V	FTG7-10 V							NOTAS
14	R905023000	DISTRIBUCION COMPL. FTG-705 V	COMPL. DISTRIBUTION FTG-705	1	1							
14	R905010000	DISTRIBUCION COMPL. FTG7-10 V	COMPL. DISTRIBUTION FTG7-10	1	1							
	Q012031000	TORNILLO EXAGONAL M5X10 A.304	HEXAGONAL BOLT M5X10 A.304	4	4							
	Q302022000	ARANDELA Ø16X6X1.2 A.304	WASHER 16X6X1.2 A.304	4	4							
	Q221342000	REMACHE EXAGONAL M5	HEXAGONAL RIVET M5	2	2							
15	R422400000	TOBERA DE Ø 1.25 B.P.	NOZZLE Ø 1.25 B.P.	1	2							
15	9429500000	TOBERA DE Ø1.90 G.N.	NOZZLE Ø1.90 G.N.	1	2							



MOD.		FRY-TOP		ZONA		PIEZAS ESPECIFICAS PARA LA VERSION AUSTRALIA					PLANO	C-2074-75
ITEM	CODIGO	DENOMINACION	TEXTO	FTG7-05 A	FTG7-10 A							NOTAS
		<b>PIEZAS QUE SE ELIMINAN</b>	<b>PARTS WHICH HAVE BEEN SUP</b>									
13	R902814000	PORTAMANDOS FTG-705 EUR	CONTROL HOLDER FTG-705 E	1								PLANO C-2074
13	R902812000	PORTAMANDOS FTG-710 EUR	CONTROL HOLDER FTG-710 E		1							PLANO C-2074
1	R422400000	TOBERA DE Ø 1.25 B.P.	NOZZLE Ø 1.25 B.P.	1	2							PLANO C-2075
1	9429500000	TOBERA DE Ø 1.90 G.N..	NOZZLE Ø 1.90 G.N..	1	2							PLANO C-2075
		<b>PIEZAS QUE SE INTRODUCEN</b>	<b>PARTS WHICH HAVE BEEN INTR</b>									
13	R902817000	PORTAMANDOS FTG-705 EUR A	CONTROL HOLDER FTG-705 E	1								PLANO C-2074
13	R902819000	PORTAMANDOS FTG-710 EUR A	CONTROL HOLDER FTG-710 E		1							PLANO C-2074
1	U052402000	TOBERA DE Ø 1.30 B.P.	NOZZLE Ø 1.30 B.P.	1	2							PLANO C-2075
1	R275050000	TOBERA DE Ø 2,35 G.N..	NOZZLE Ø 2,35 G.N..	1	2							PLANO C-2075
S/Nº	S113034000	PIEZOELECTRICO	PIEZOELECTRIC	1	2							
S/Nº	X022131000	BUJIA	SPARK PLUG	1	2							
S/Nº	U323030000	CABLE BUJIA	SPARK PLUG CABLE	1	2							
S/Nº	U333003000	CABLE MASA ENCENDEDOR	LIGHTER EARTH CABLE	1	2							



ITEM MARCADO EN COLOR = REPUESTO RECOMENDADO  
 COLOURED ITEM = RECOMMENDED SPARE PART

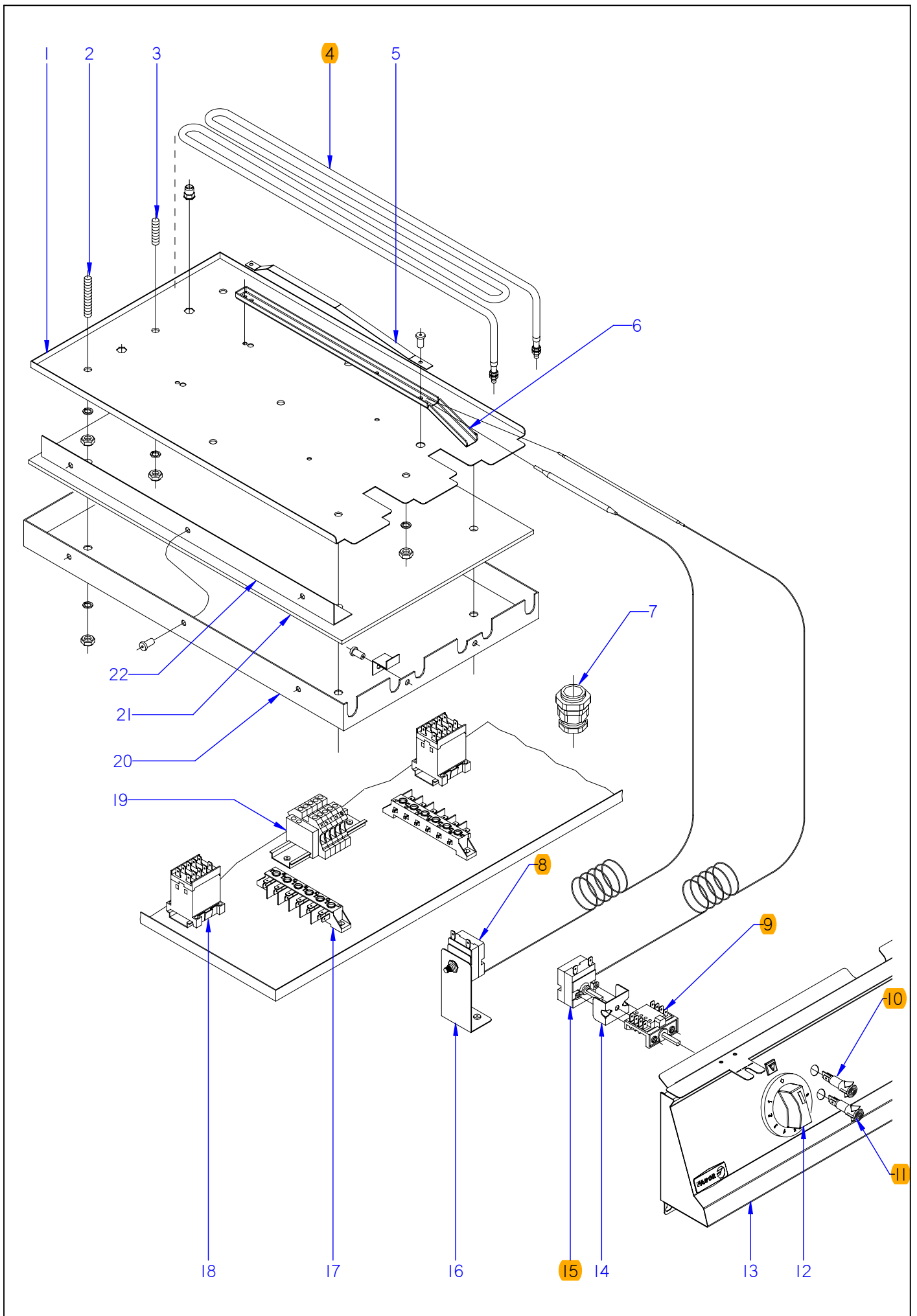
N plano	Firma	Fecha	Aparato	MUEBLE	Lamina	Fagor Industrial S.Coop. <b>FAGOR</b>
C-2077	<i>(Signature)</i>	2008-06	FRY-TOP FTE7-05 / FTE7-10		4	Oñate

MOD.		FRY-TOP		MUEBLE						C-2077
ITEM	CODIGO	DENOMINACION		FTE7-05	FTE7-10					NOTAS
1	R045415000	TAPON DESAGÜE CR-DURO	DRAINAGE CAP CHROME PLATE	1	1					SOLO CROMO DURO
2	R915404000	PLANCHA FTE-705 I	PLATE FTE-705 L	1	1					
2	R915410000	PLANCHA FTE-705 R	PLATE FTE-705 R	1	1					
2	R885423000	PLANCHA FTE/C-705 L	PLATE FTE/C-705 L	1	1					
2	R915402000	PLANCHA FTE-710 L	PLATE FTE-710 L	1	1					
2	R915408000	PLANCHA FTE-710 R	PLATE FTE-710 R	1	1					
2	R915409000	PLANCHA FTE-710 L+R	PLATE FTE-710 L+R	1	1					
2	R895435000	PLANCHA FTE/C-710 L	PLATE FTE/C-710 L	1	1					
3	R152607000	SOPORTE TUBO DESAGÜE	DRAINAGE PIPE SUPPORT	1	1					
	Q302022000	ARANDELA 16X6X1.2 A.304	WASHER 16X6X1.2 A.304	2	2					
	Q162040000	TUERCA EXAGONAL M6	HEXAGONAL NUT M6	2	2					
4	R905024000	TUBO DESAGÜE FRY-TOP G-750Q	DRAINAGE PIPE FRY-TOP G-750Q	1	1					
5	R792605000	TIRANTE LATERAL	SIDE TIE ROD	2	2					
	Q419005000	REMACHE 4X8 ALMG3 / ALUMINIO	RIVET 4X8 ALMG3 / ALUMINIUM	6	6					
6	R905404000	LISTON LATERAL FRY-TOP	SIDE STRIP FRY-TOP	2	2					
	Q012031000	TORNILLO EXAGONAL M5X10 A.304	HEXAGONAL BOLT M5X10 A.304	4	4					
7	H122802000	PANEL LATERAL SUP. DCHO. G700	RIGHT SUP. SIDE PANEL G700	1	1					
	Q221342000	REMACHE EXAGONAL M5	HEXAGONAL RIVET M5	5	5					
	Q221343000	REMACHE EXAGONAL M6	HEXAGONAL RIVET M6	5	5					
	X010503000	CIERRE MUELLE	LOCK SPRING	1	1					
8	H602602000	ESCUADRA AMARRE ANTER. 1/2 M	FRONT FASTENING BRACKET 1/2M	1	1					
8	H602603000	ESCUADRA AMARRE ANTER. 1 M	FRONT FASTENING BRACKET 1M	1	1					
	Q221342000	REMACHE EXAGONAL M5	HEXAGONAL RIVET M5	6	6					
	Q012031000	TORNILLO EXAGONAL M5X10 A.304	HEXAGONAL BOLT M5X10 A.304	6	6					
9	H125403000	ANTERIOR MESA 1/2 M	FRONT BENCH 1/2M	1	1					
9	H125409000	ANTERIOR MESA 1 M	FRONT BENCH 1M	1	1					
	Q152004000	TORNIL. APLASTADO M5X13 A 304	FLAT HEADED SCREW M5x13 A 304	2	2					

MOD.		FRY-TOP		MUEBLE						C-2077
ITEM	CODIGO	DENOMINACION		FTE7-05	FTE7-10					NOTAS
10	R912804000	PANEL PORTAMANDOS FTE7-05	CONTROL HOLDER PANEL FTE7	1	—					
10	R912802000	PANEL PORTAMANDOS FTE7-10	CONTROL HOLDER PANEL FTE7	—	1					
	Q152004000	TORNIL. APLASTADO M5X13 A 304	FLAT HEADED SCREW M5x13 A 3	4	4					
	Q221343000	REMACHE EXAGONAL M6	HEXAGONAL RIVET M6	2	2					
	U912813000	ESCUDO ASPES G700	ASPES EMBLEM G700	1	1					
	Q221023000	CLIP SUJECIÓN RÁPIDA Ø5	RAPID CONNECT CLIP Ø5	2	2					
11	R912603000	CUBIERTA RECOGEGRASAS G-700	GREASE COLLECTION TRAY G-7	1	1					
	Q419005000	REMACHE 4X8 ALMG3 / ALUMINIO	RIVET 4X8 ALMG3 / ALUMINIUM	4	4					
12	R912604000	CAJA RECOGEGRASAS EL G-750Q	GREASE COLLECTION TRAY EL	1	1					
13	H122815000	ZOCALO ASA 1/2 MÓDULO	SKIRTING ASA 1/2 MODULE	1	—					
13	H122805000	ZOCALO ASA 1 MÓDULO	SKIRTING ASA 1 MODULE	—	1					
	Q012031000	TORNILLO EXAGONAL M5X10 A.304	HEXAGONAL BOLT M5X10 A.304	2	2					
	Q302022000	ARANDELA 16X6X1.2 A.304	WASHER 16X6X1.2 A.304	2	2					
14	R912605000	PROTECCION CABLEADO FTE-705	WIRING PROTECTION FTE-705	1	—					
14	R912606000	PROTECCION CABLEADO FTE-710	WIRING PROTECTION FTE-710	—	1					
	Q419005000	REMACHE 4X8 ALMG3 / ALUMINIO	RIVET 4X8 ALMG3 / ALUMINIUM	4	4					
15	R912602000	BASE INFERIOR FTE-705 G-750Q	LOWER BASE FTE-705 G-750Q	1	—					
15	R912601000	BASE INFERIOR FTE-710 G-750Q	LOWER BASE FTE-710 G-750Q	—	1					
	Q419005000	REMACHE 4X8 ALMG3 / ALUMINIO	RIVET 4X8 ALMG3 / ALUMINIUM	4	4					
	Q221342000	REMACHE EXAGONAL M5	HEXAGONAL RIVET M5	2	4					
16	H122801000	PANEL LATERAL SUP. IZDO. G700	LEFT UPPER SIDE PANEL G700	1	1					
	Q221342000	REMACHE EXAGONAL M5	HEXAGONAL RIVET M5	5	5					
	Q221343000	REMACHE EXAGONAL M6	HEXAGONAL RIVET M6	5	5					
	X010503000	CIERRE MUELLE	LOCK SPRING	1	1					
	Q221343000	REMACHE EXAGONAL M6	HEXAGONAL RIVET M6	5	5					
17	Z200107000	PATA REGULABLE	ADJUSTABLE LEG	4	4					
	Q221345000	REMACHE EXAGONAL M10	HEXAGONAL RIVET M10	4	4					







ITEM MARCADO EN COLOR = REPUESTO RECOMENDADO  
 COLOURED ITEM = RECOMMENDED SPARE PART

N plano	Firma	Fecha	Aparato	CONJUNTO FUNCIONAL ELECTRICO	Lamina	Fagor Industrial S.Coop. <b>FAGOR</b>
C-2078	<i>[Signature]</i>	2008-06	FRY-TOP FTE7-05 / FTE7-10		5	Oñate

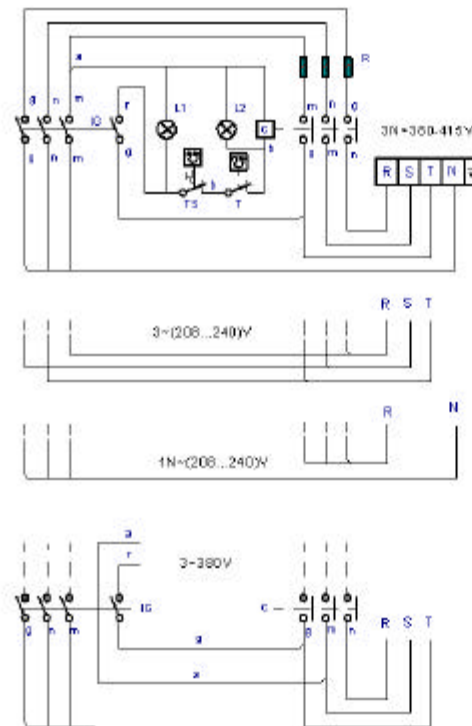
MOD.		FRY-TOP		ZONA		CONJUNTO FUNCIONAL ELECTRICO				PLANO		C-2078	
ITEM	CODIGO	DENOMINACION	TEXTO	FTE7-05	FTE7-10							NOTAS	
1	R912611000	AMARRE RESISTENCIAS FTE-705	RESISTOR FASTENING FTE-705	1	1								
1	R912607000	AMARRE RESISTENCIAS FTE-710	RESISTOR FASTENING FTE-710	1	2								
	Q162050000	TUERCA EXAGONAL M8	HEXAGONAL BOLT M8	9	18								
	Q262050000	ARANDELA GROW. A8 A.304	WASHER GROW. A8 A.304	9	18								
2	Q131557000	VARILLA ROSCADA M8X50	THREADED ROD M8X50	4	8								
3	Q131555000	VARILLA ROSCADA M8x30	THREADED ROD M8X30	5	10								
	Q221342000	REMACHE EXAGONAL M5	HEXAGONAL RIVET M5	1	2								
4	R893000000	RESISTENCIA 230V	RESISTOR 230V	3	6								
5	R912608000	SOPORTE BULBO FTE-700	BULB SUPPORT FTE-700	1	2								
6	R912609000	BASE SOPORTE BULBO FTE-700	BASE BULB SUPPORT FTE-700	1	2								
	Q419005000	REMACHE 4X8 ALMG3 / ALUMINIO	RIVET 4X8 ALMG3 / ALUMINIUM	2	4								
7	R013022000	PRENSA ESTOPAS	STUFFING BOX	1	1								
7	R023013000	PRENSA ESTOPAS PG-21	STUFFING BOX PG-21	1	1								
8	R612103000	TERMOSTATO LIMITADOR	THERMOSTAT LIMITER	1	2								
9	X163007000	CONMUTADOR ACOPLER TERMOS	THERMOSTAT CONNECT SWITC	1	2								
10	R693055000	PILOTO VERDE 41227000C7	GREEN PILOT 41227000C7	1	2								
11	R693056000	PILOTO AMBAR 41227000A4	AMBER PILOT 41227000A4	1	2								
12	X482102000	BOTON DE MANDO Ø6 ASPES	CONTROL BUTTON Ø6 ASPES	1	2								
13	R912804000	PANEL PORTAMANDOS FTE7-05	CONTROL HOLDER PANEL FTE7	1	1								
13	R912802000	PANEL PORTAMANDOS FTE7-10	CONTROL HOLDER PANEL FTE7	1	1								
14	X313001000	U SOPORTE TERMOSTATO	THERMOSTAT U SUPPORT	1	2								
15	X153000000	TERMOSTATO 50-310 C	THERMOSTAT 50-310 C	1	2								
	Q151320000	TOR. ALOMADO M4X6 H.ZINCADO	CURVED SCREW M4X6 H. ZINC	2	4								
16	R572607000	SOPORTE LIMITADOR	LIMITER SUPPORT	1	2								
	Q419005000	REMACHE 4X8 ALMG3 / ALUMINIO	RIVET 4X8 ALMG3 / ALUMINIUM	2	4								
17	R253044000	REGLETA AUXILIAR FV-122	AUXILIARY TERMINAL STRIP FV-	1	2								
	Q152004000	TORNIL. APLASTADO M5X13 A 304	FLAT HEADED SCREW M5x13 A 3	2	4								
	Q162030000	TUERCA EXAGONAL M5	HEXAGONAL NUT M5	2	4								
18	Z213007000	CONTACTOR 230 V. 50-60 HZ	CONTACTOR 230 V. 50-60 HZ	1	2								
	Z123018000	GUIA CONTACTOR L-55	CONTACTOR GUIDE L-55	1	2								
	Q419005000	REMACHE 4X8 ALMG3 / ALUMINIO	RIVET 4X8 ALMG3 / ALUMINIUM	2	4								

MOD.	FRY-TOP	ZONA	CONJUNTO FUNCIONAL ELECTRICO	PLANO	C-2078
------	---------	------	------------------------------	-------	--------

ITEM	CODIGO	DENOMINACION	TEXTO	FTE7-05	FTE7-10								NOTAS
19	P453025000	BORNES 10 WDU-10203.O	TERMINALS 10 WDU-10203.O		3								
	P453026000	BORNE TIER 10 WPE-10103.O	TERMINAL TIER 10 WPE-10103.O		1								
	Z263302000	BORNA DE PASO AZUL	BLUE THROUGH TERMINAL		1								
	Z263303000	TOPE FINAL	END STOP		1								
	Z683068000	SEÑALIZ.DEK-6WEIDMULLER	SIGNS DEK-6WEIDMULLER		1								
	R663054000	GUIA CONTACTOR 320	CONTACTOR GUIDE 320		1								
	Q419005000	REMACHE 4X8 ALMG3 / ALUMINIO	RIVET 4X8 ALMG3 / ALUMINIUM		2								
20	R912612000	CUBIERTA RESISTENC. FTE-705	RESISTOR COVER FTE -705	1									
20	R912613000	CUBIERTA RESISTENC. FTE-710	RESISTOR COVER FTE -710		2								
	Q162050000	TUERCA EXAGONAL M8	HEXAGONAL BOLT M8	4	8								
	Q262050000	ARANDELA GROW. A8 A.304	WASHER GROW. A8 A.304	4	8								
21	R885410000	AISLANTE DE RESISTENCIAS	RESISTOR INSULATION	1									
21	R895410000	AISLANTE DE RESISTENCIAS	RESISTOR INSULATION		2								
22	R892602000	FIJACION LATERAL FTE-700	SIDE FASTENING FTE-700	2	4								
	Q419005000	REMACHE 4X8 ALMG3 / ALUMINIO	RIVET 4X8 ALMG3 / ALUMINIUM	4	8								



FTE-905 FTE-705





MOTAS

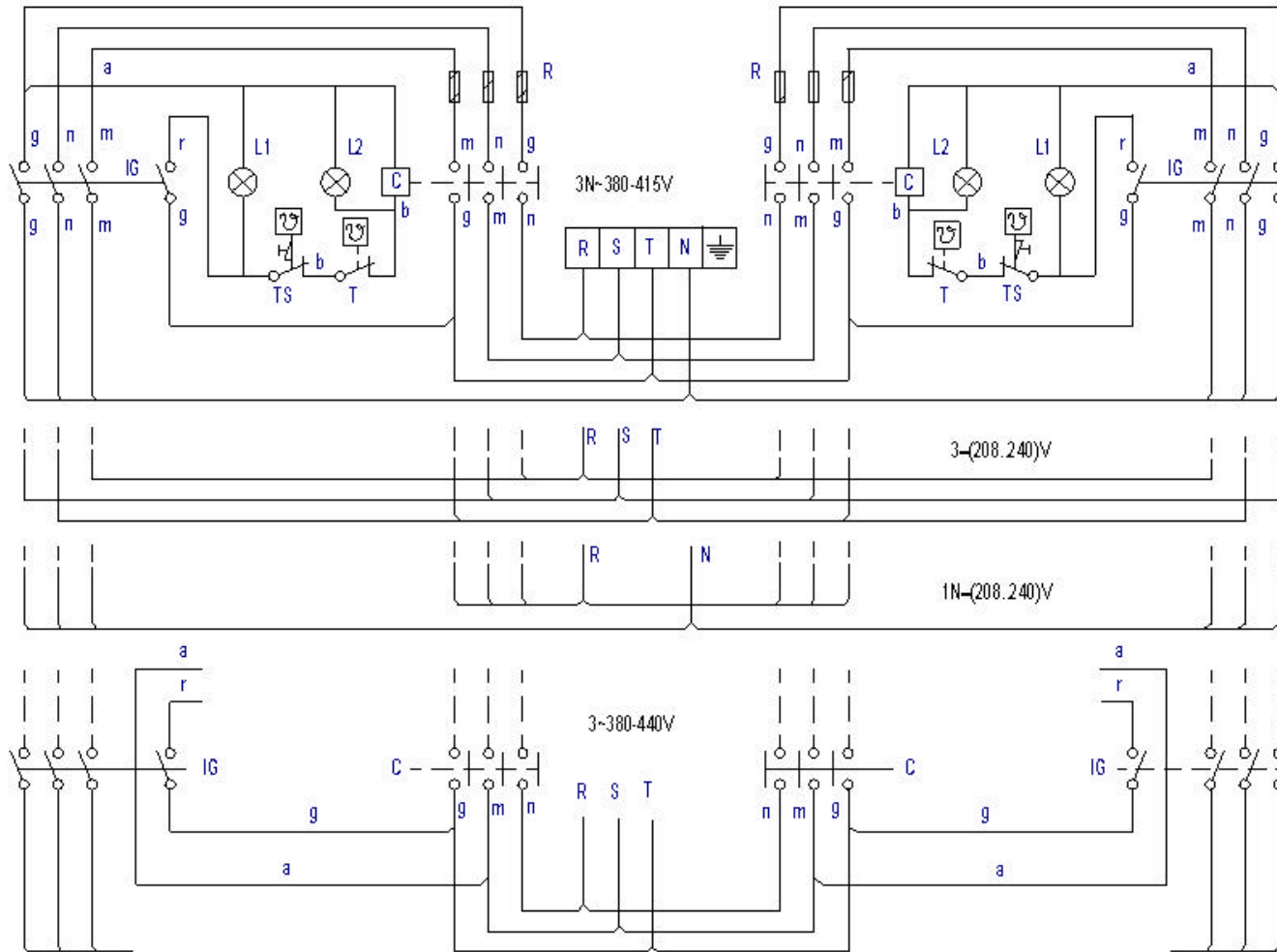
- Las inscripciones resistirán sin modificación apreciable el rotamiento durante 15 seg. de un algodón impregnado en gasolina.

- IG: Interruptor general
- L1: Lámpara funcionamiento
- T: Termostato regulable (50-310°C)
- L2: Lámpara calentamiento
- C: Contactor de calentamiento
- R: Resistencias
- TS: Termostato seguridad (400°C)

- r = rojo-rojo-rojo
- m = marrón-azul-marrón
- g = gris-gris-gris
- n = negro-lado-negro
- a = azul-lado-azul
- b = blanco-azul-blanco
- x = violeta-violeta-lado
- arve = amarillo-verde
- yellow/green
- yellow/green

Esquema teórico adhesivo				R-563000	
Nº	Pieza	Cart.	Material	Nº Clasificación	Acabado
Nº	Modificación	Propuesta de		Fecha	Tolerancias generales
①	Introducir TS	Maillo		95-8-14	<math>\leq +</math> <math>5 - 25 \pm</math> <math>25 - 50 \pm</math> <math>50 - 100 \pm</math> <math>> 100 \pm</math> <math>O \pm</math>
②	Introducir FTE-705	Etxeberria		1-7-97	
③	Introducir G-700	Etxeberria		8-7-97	
Dibujado		Firma	Fecha	Mecanizado superficial FAGOR  Fagor Industrial, Ropa DE, Mugelua	
Proyectado		JON	95-5-23		
Comprobado					
Escala		<b>FRY-TOP</b> Para las celdas con el chasis en aluminio-por			Plano número <b>HB-14936</b> -3 Sustituye al Nº Sustituido por

# FTE-910 FTE-710



- IG: Interruptor general
- L1: Lámpara funcionamiento
- T: Termos.regulable(50-310 °C)
- L2: Lámpara calentamiento
- C: Contactor calentamiento
- R: Resistencias
- TS: Termos.seguridad(400°C)

- r = rojo-red-rouge
- m = marron-brown-marron
- g = gris-grey-gris
- n = negro-black-noir
- a = azul-blue-bleu
- b = blanco-white-blanc
- vi = violeta-violette-violet
- am/ve = amarillo/verde  
yellow/green  
jaune/vert

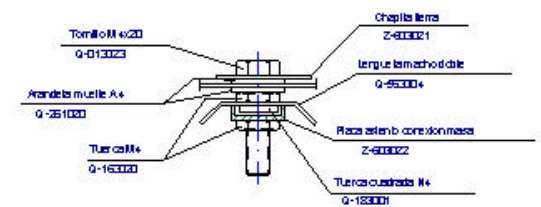
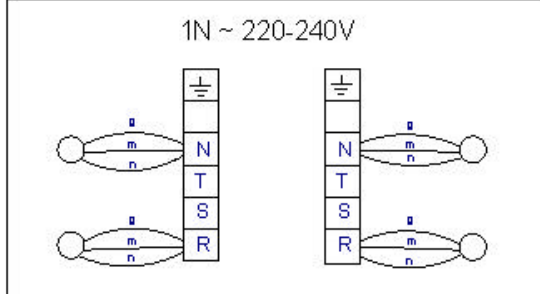
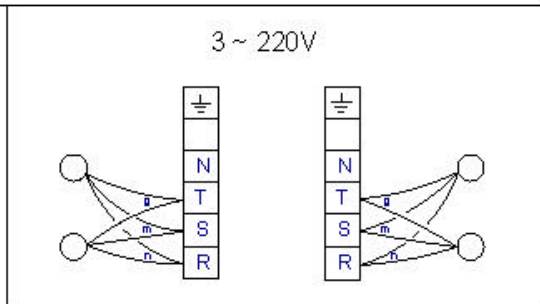
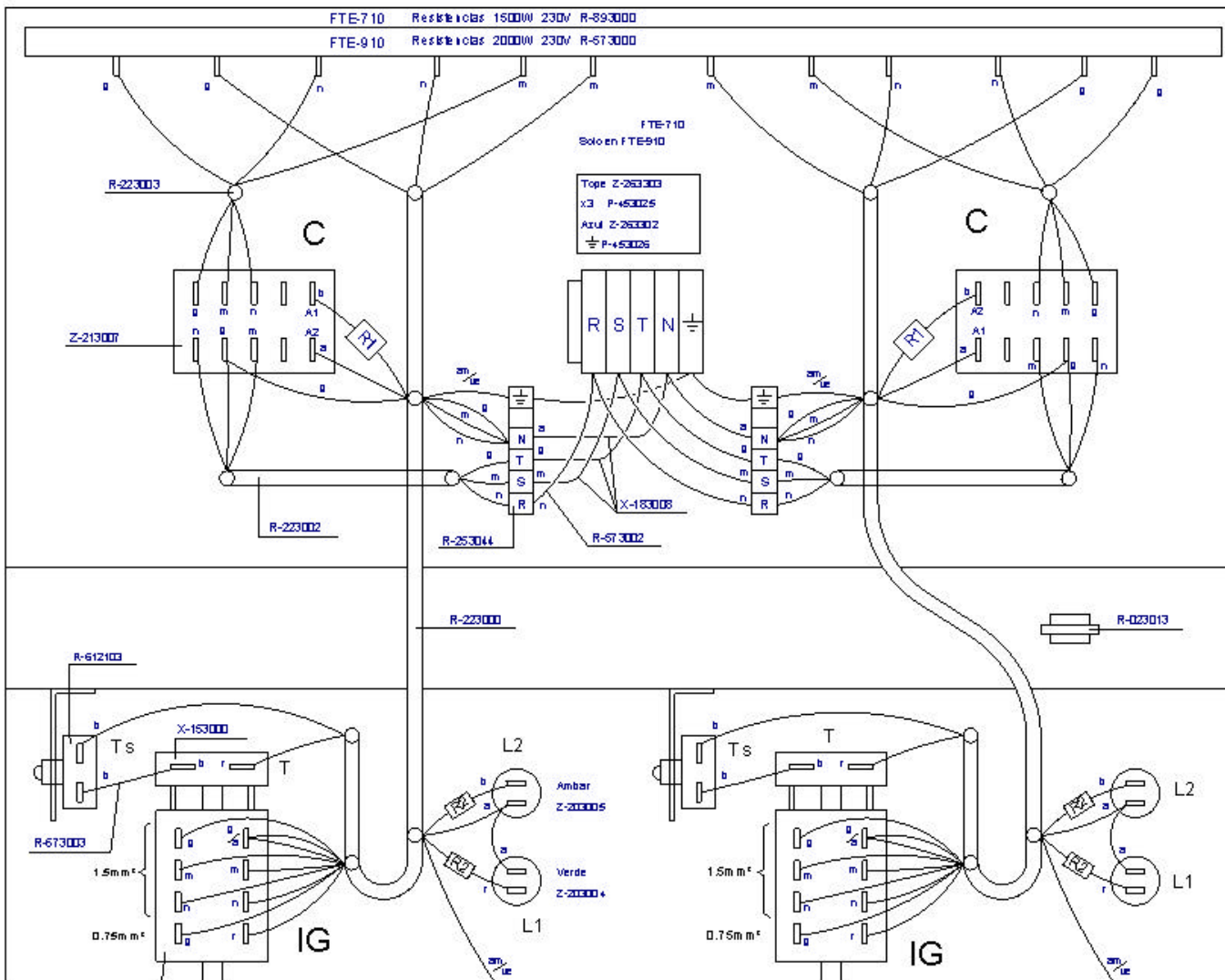
R-573001

Esquema teorico adhesivo		R-573001	
Nº Pieza	Material	Nº Clasificación	Acabado
Nº Modificación	Propuesta de	Fecha	Tolerancias generales
			<3±
			5-25±
			25-50±
			>100±
			<<±
			>>±
			<>±
Dibujado	Impresión	Fecha	Mecanizado especial
Proyectado	Impresión	31-05-05	
Comprobado			
Escala			
1/1		FRY-TOP	
Plano número		HC-71227	
Sustituye al Nº			
Sustituido por			



Fagor Industrial, Koop, Elk, Murguia

Plano nuevo, todas las medidas son válidas para el modelo actual



Esquema Adhesivo  
 FTE-710 FTE-910 R-573001  
 FTE-705 FTE-905 R-563000

VERSION SIN NEUTRO

R2 U-803072 R-150K01m 1/4W  
 R1 U-803073 R-8K201m 6W

En IG, el cable azul (0,75m m²) dejar sitio (separa el cable Gris 1,5m m²)  
 En C, el cable azul (0,75m m²) el marro es (R-223002)

Esquema de montaje 3N ~ 380V				R-573005									
Nº	Pieza	Cant.	Material	Nº Clasificación	Acabado								
Nº	Modificación	Propuesta de		Fecha	Tolerancias generales								
1	Introducir G-700	Maillo		14/7/87	<3± 5-25± 25-50±								
					50-100± >100± OX±								
<table border="1"> <tr> <td>Firma</td> <td>Fecha</td> </tr> <tr> <td>JON</td> <td>86-9-25</td> </tr> </table>				Firma	Fecha	JON	86-9-25						
Firma	Fecha												
JON	86-9-25												
<table border="1"> <tr> <td>Dibujado</td> <td>Proyectado</td> <td>Comprobado</td> <td>Escala</td> </tr> <tr> <td></td> <td></td> <td></td> <td></td> </tr> </table>				Dibujado	Proyectado	Comprobado	Escala					Mecanizado en metal Plano número HC-71229 -1 Sustituye al Nº Sustituye por	
Dibujado	Proyectado	Comprobado	Escala										
Para hacer cable azul es necesario laminar cable													