

1	R165414	20	R792606
2	R792603	21	R782805
3	R785416	21	R792810
3	R795416		C152004
3	R785420	22	U452805
3	R795422		C419005
3	R785418	23	X312630
3	R795420	23	U742620
3	R795418		C419005
3	R795418		C221342
4	S116122		C152004
5	R619913	24	X312600
6	R619912	24	U742607
7	R782607		Q221342
7	R792616		Q152004
	Q262040	25	U722603
	Q012041	25	R682600
8	R782608		Q419005
8	R792617	26	R792609
	Q221342		Q419005
	Q152004	27	R782803
9	R795006	27	R792805
10	R152607		Q419005
	Q262040	28	R782600
	Q162040		Q221342
11	R792605		Q419005
	Q419005	29	Z200105
12	R792806	30	Q221345
13	X315400	31	U732801
13	U745407	32	U722803
	Q221342	32	U732803
	Q152004		Q419005
14	R782606	33	X010503
14	R792812	34	Q419007
	Q419005	35	R782804
15	U732802	35	R792810
16	Q151336		Q012031
	C302022		Q221342
	Q162040	36	X315425
17	U452804	36	U745425
	Q419005		
18	R962800		
18	R972800		
	Q302022		
	Q012031		
19	U262806		
	Q221023		

W plan
C-1250

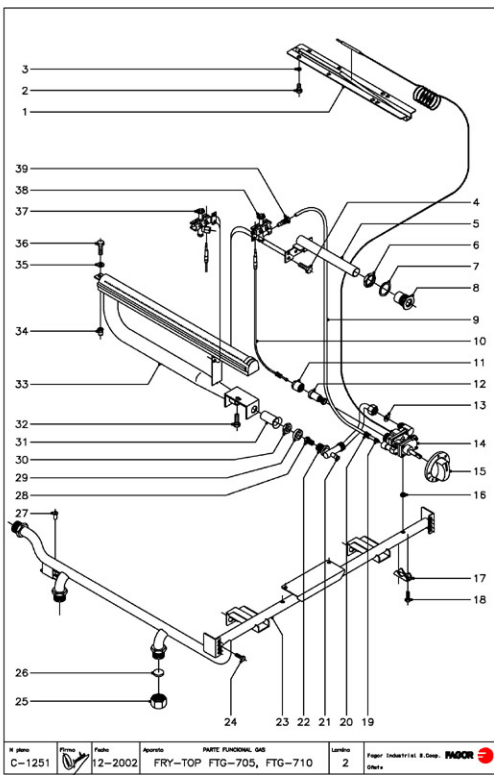


Model
12-2002

Operate
FRY-TOP FTG-705, FTG-710

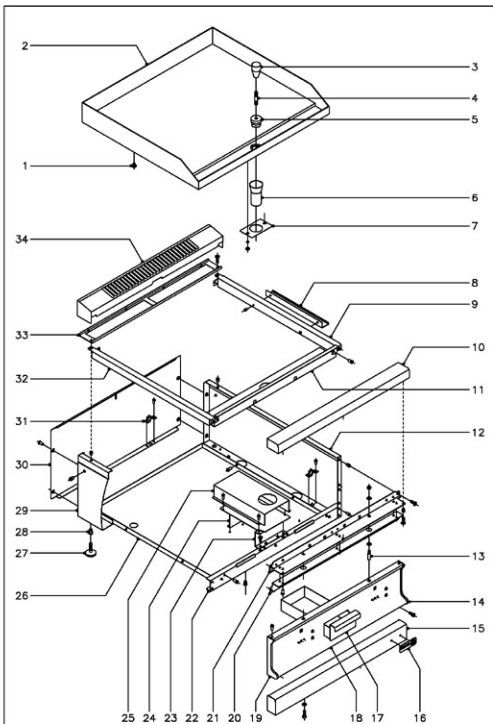
Version
1

Favor Industrial S.p.A. FAVOR
Oste

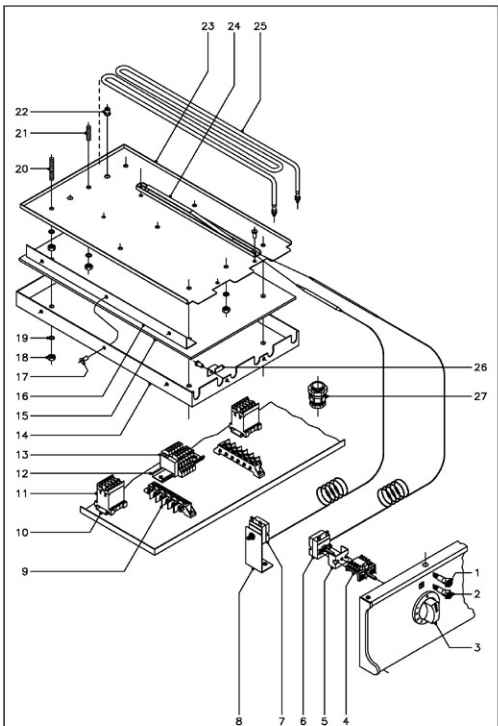


1	R162630	27	Q419005
2	Q012041	28	R422400
3	Q262040	28	9429500
4	Q012031	28	R792400
5	R165011	29	Q301323
6	Q221324	30	Q223019
7	Q306027	31	U325707
8	S112804	32	Q012032
9	R785012	33	R795700
9	R795016	34	Q221342
10	U222130	35	Q302022
11	6002706	36	Q012031
12	6002705	37	U322118
13	Q306026	38	U322118
14	R782130		U442138
15	R202106		U442137
16	Q307034	39	U134323
17	Z982018		
18	Q151317		
19	X205028		
20	U195009		
21	Q153002		
22	R785013		
22	R785004		
23	R785022		
23	R795025		
24	Q012031		
25	U635008		
26	Q306051		

BUTANO - PROPANO		
28	R422400	Tobera quemador Ø1.25
37/38	U442138	Injector piloto Ø0.25
GAS NATURAL		
28	9429500	Tobera quemador Ø1.90
37/38	U442137	Injector piloto Ø0.40
GAS VILLA		
28	R792400	Tobera quemador Ø4.00
37/38	U442138	Injector piloto Ø0.25



1	R165414	19	U452805
2	R885416		Q419005
2	R895416	20	X312630
2	R885420	20	U742620
2	R895422		Q419005
2	R885418		Q221342
2	R895420		Q152004
2	R895418	21	X312600
3	S116122	21	U742607
4	R619913		Q221342
5	R619912		Q152004
6	R795006	22	U722603
7	R152607	22	U732601
	Q262040		Q419005
	Q162040	23	R892603
8	R792605		Q221342
	Q419005		Q012031
9	R792806	24	R892604
10	X315400		Q419005
10	U745407	25	R892605
	Q221342		Q419005
	Q152004	26	R962601
11	R782606	26	R972600
11	R792612		Q419005
	Q419005	27	Z200105
12	U732802	28	Q221345
13	Q151336	29	U732801
	Q302022	30	U722803
	Q162040	30	U732803
14	U452804		Q419005
	Q419005	31	X010503
15	R962800		Q419007
15	R972800	32	R792804
	Q302022	33	R782601
	Q012031	33	R792610
16	U262806		Q012031
	Q221023		Q221342
17	R792606	34	X315425
18	R882800	34	U745425
18	R892800		
	Q152004		



1	R693055
2	R693056
3	U673017
	Q281000
4	X163007
5	X313001
6	X153000
7	R612103
8	R572607
9	R253044
10	Z123018
11	Z213007
12	R663055
13	P453025
	Z263302
	P453026
	Z263303
14	R882600
14	R892600
15	R885410
15	R895410
16	R892602
17	Q419005
18	Q162050
19	Q262050
20	Q131557
21	Q131555
22	Q221343
23	R882602
23	R892606
24	R592630
	Q419005
25	R893000
26	U615409
27	Q419005
27	R013022
27	R023013