
DESPIECE TECNICO

**Fry-tops a gas
Gas fry-tops
Fry-tops à gaz
Gas-griddle-platten
Fry-tops a gas
Fry-tops a gás**

GAMA SNACK

Modelos:

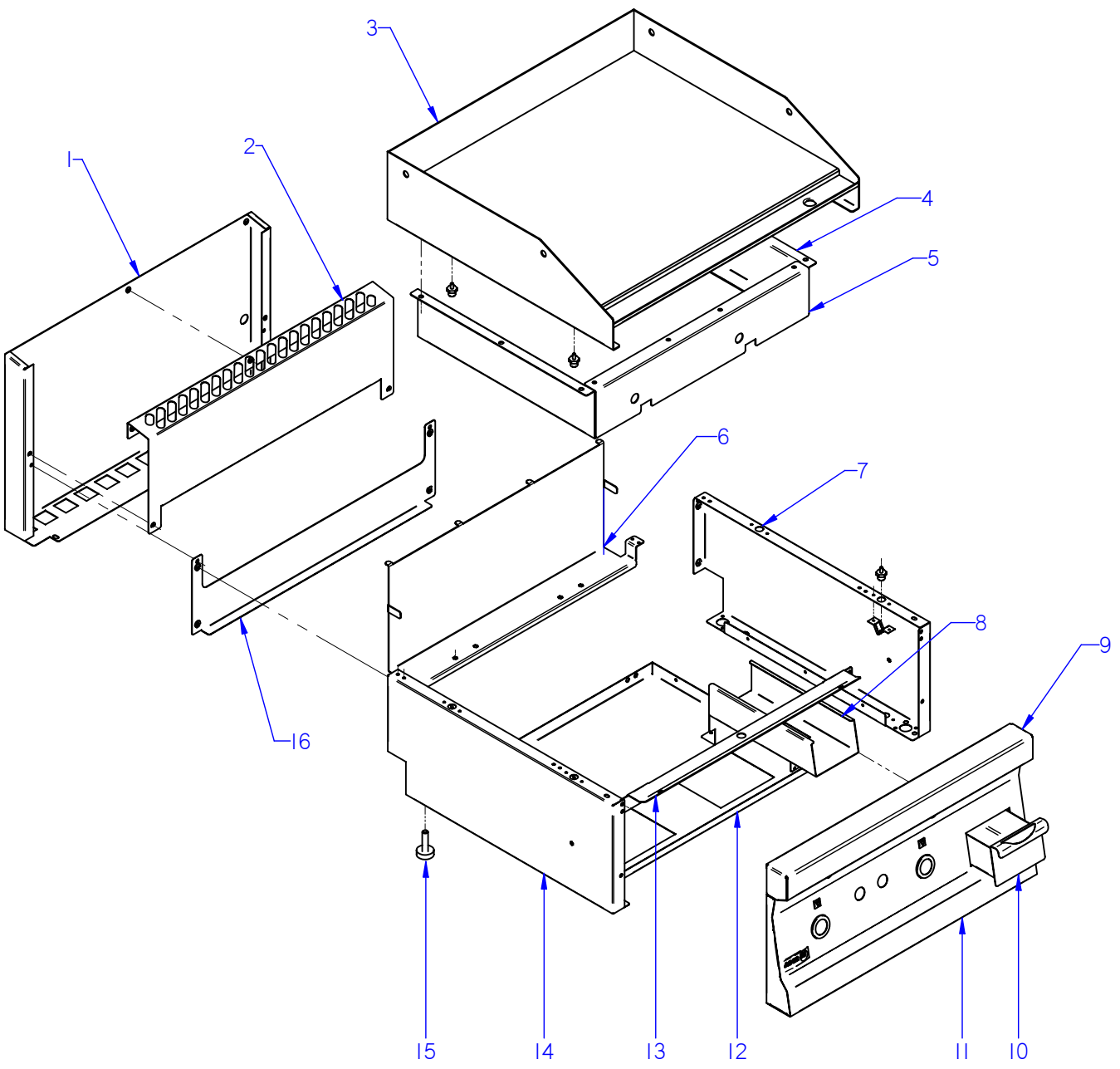
**FTG6-05
FTG6-10
FTG/C6-05
FTG/C6-10**

Junio 2009 June

Revisado Julio 2011 / Revised July 2011



F A G O R I N D U S T R I A L



ITEM MARCADO EN COLOR = REPUESTO RECOMENDADO
 COLOURED ITEM = RECOMMENDED SPARE PART

| | | | | | | |
|-------------------|-----------|------------------|---|--------|-------------|------------------------------------|
| N plano C-2385 | Firma | Fecha 2009-06 | Aparato FRY-TOP FTG6-05; -10; FTG/CG-05; -10 | MUEBLE | Lamina 1 | Fagor Industrial S. Coop. Onate |
|-------------------|-----------|------------------|---|--------|-------------|------------------------------------|



| MOD. | | FRY-TOP | | ZONA | MUEBLE / UNIT | | | | PLANO | C-2385 |
|------|------------|------------------------------|-----------------------------|---------|---------------|-----------|-----------|--|-------|----------------------|
| ITEM | CODIGO | DENOMINACION | TEXTO | FTG6-05 | FTG6-10 | FTG/C6-05 | FTG/C6-10 | | | NOTAS |
| 1 | J142809000 | PROTECC. CHIMENEA POST. 400 | PROTECTION CHIMEMEY POS. | 1 | — | 1 | — | | | |
| 1 | J142812000 | PROTECC. CHIMENEA POST. 600 | PROTECTION CHIMEMEY POS. | — | 1 | — | 1 | | | |
| | Q419005000 | REMACHE 4X8 ALMG3 / ALUMINIO | RIVET 4X8 ALMG3 / ALUMINIUM | 2 | 2 | 2 | 2 | | | |
| 2 | J142810000 | PROTECCION CHIMENEA ANT. 400 | PROTECTION CHIMENEY ANT | 1 | — | 1 | — | | | ELIMINADA 01.04.2010 |
| 2 | J142829000 | PROTECCION CHIMENEA FREID. | PROTECTION CHIMENEY | 1 | — | 1 | — | | | INTRODUC. 01.04.2010 |
| 2 | J142813000 | PROTECCION CHIMENEA ANT. 600 | PROTECTION CHIMENEY ANT | — | 1 | — | 1 | | | ELIMINADA 01.04.2010 |
| 2 | J142830000 | PROTECCION CHIMENEA ANT. 600 | PROTECTION CHIMENEY ANT | — | 1 | — | 1 | | | INTRODUC. 01.04.2010 |
| | Q012031000 | TORNILLO EXAGONAL M5x10 A304 | HEXAGONAL BOLT M5x10 A304 | 4 | 4 | 4 | 4 | | | |
| | Q302022000 | ARANDELA 16x6x1,2 A304 | WASHER 16x6x1.2 A304 | 4 | 4 | 4 | 4 | | | |
| | Q221342000 | REMACHE EXAGONAL M5 | HEXAGONAL RIVET M5 | 3 | 3 | 3 | 3 | | | |
| 3 | J105431000 | PLANCHA SNACK G 400 L | PLATE SNACK G 400 L | 1 | — | — | — | | | |
| 3 | J105437000 | PLANCHA SNACK G 400 R | PLATE SNACK G 400 R | 1 | — | — | — | | | |
| 3 | J105439000 | PLANCHA SNACK G 600 L | PLATE SNACK G 600 L | — | 1 | — | — | | | |
| 3 | J105440000 | PLANCHA SNACK G 600 R | PLATE SNACK G 600 R | — | 1 | — | — | | | |
| 3 | J105459000 | PLANCHA SNACK G 400 L CD | PLATE SNACK G 400 L CD | — | — | 1 | — | | | |
| 3 | J105461000 | PLANCHA SNACK G 600 L CD | PLATE SNACK G 600 L CD | — | — | — | 1 | | | |
| 3 | J105463000 | PLANCHA SNACK G 600 L+R | PLATE SNACK G 600 L+R | — | — | — | 1 | | | |
| S/Nº | J105436000 | APOYO PLANCHA FRY-TOP | PLATE SUPPORT | 4 | 4 | 4 | 4 | | | |
| | Q221342000 | REMACHE EXAGONAL M5 | HEXAGONAL RIVET M5 | 6 | 6 | 6 | 6 | | | |
| 4 | J102602000 | LATERAL CAJA COMBUSTION | COMBUSTION BOX SIDE | 2 | 2 | 2 | 2 | | | |
| | Q012042000 | TORNILLO EXAGONAL M6X15 | HEXAGONAL BOLT M6X15 | 6 | 6 | 6 | 6 | | | |
| | Q302022000 | ARANDELA 16X6X1.2 A.304 | WASHER 16X6X1.2 A.304 | 6 | 6 | 6 | 6 | | | |
| 5 | J102608000 | FRONTAL FTG6-05 | FRONT FTG6-05 | 1 | — | — | — | | | |
| 5 | J102603000 | FRONTAL FTG6-10 | FRONT FTG6-10 | — | 1 | — | — | | | |
| 5 | J102619000 | FRONTAL FTG6-05 TERM. | FRONT FTG6-05 TERM. | — | — | 1 | — | | | |
| 5 | J102609000 | FRONTAL FTG6-10 CD TERM. | FRONT FTG6-10 CD TERM. | — | — | — | 1 | | | |
| | Q012042000 | TORNILLO EXAGONAL M6X15 | HEXAGONAL BOLT M6X15 | 2 | 2 | 2 | 2 | | | |
| | Q302022000 | ARANDELA 16X6X1.2 A.304 | WASHER 16X6X1.2 A.304 | 2 | 2 | 2 | 2 | | | |
| 6 | J102614000 | SOPORTE BURNER FTG6-05 | SOPOR, BURNER FTG6-05 | 1 | — | 1 | — | | | |
| 6 | J102615000 | SOPORTE BURNER FTG6-10 | SOPOR, BURNER FTG6-10 | — | 1 | — | 1 | | | |
| | Q419005000 | REMACHE 4X8 ALMG3 / ALUMINIO | RIVET 4X8 ALMG3 / ALUMINIUM | 4 | 4 | 4 | 4 | | | |

| MOD. | | FRY-TOP | | ZONA | MUEBLE / UNIT | | | | PLANO | C-2385 |
|------|------------|------------------------------|-----------------------------|---------|---------------|-----------|-----------|--|-------|----------------------|
| ITEM | CODIGO | DENOMINACION | TEXTO | FTG6-05 | FTG6-10 | FTG/C6-05 | FTG/C6-10 | | | NOTAS |
| 7 | J002802000 | PANEL LATERAL DERECHO | RIGHT SIDE PANEL | 1 | 1 | 1 | 1 | | | ELIMINADA 01.04.2010 |
| 7 | J002834000 | PANEL LATERAL DERECHO | RIGHT SIDE PANEL | 1 | 1 | 1 | 1 | | | INTRODUC. 01.04.2010 |
| | Q221342000 | REMACHE EXAGONAL M5 | HEXAGONAL RIVET M5 | 1 | 1 | 1 | 1 | | | |
| | Q419007000 | REMACHE TUBULAR C/V D3.2X6 | TUBULAR RIVET C/V D3.2X6 | 8 | 8 | 8 | 8 | | | |
| | X010503000 | CIERRE MUELLE | LOCK SPRING | 4 | 4 | 4 | 4 | | | ELIMINADA 01.04.2010 |
| | Z442918000 | CLIP CIERRE | LOCK SPRING | 4 | 4 | 4 | 4 | | | INTRODUC. 01.04.2010 |
| 8 | J112602000 | GUIA RECOGEGRASAS FRY-TOP | GREASE COLLECTION GUIDE | 1 | 1 | 1 | 1 | | | |
| | Q419005000 | REMACHE 4X8 ALMG3 / ALUMINIO | RIVET 4X8 ALMG3 / ALUMINIUM | 4 | 4 | 4 | 4 | | | |
| 9 | J105432000 | ANTERIOR FRY-TOP 400 | FRONT FRY-TOP 400 | 1 | - | 1 | - | | | |
| 9 | J105434000 | ANTERIOR FRY-TOP 600 | FRONT FRY-TOP 600 | - | 1 | - | 1 | | | |
| 10 | J112810000 | CAJA RECOGEGRASAS | GREASE COLLECTION TRAY | 1 | 1 | 1 | 1 | | | |
| 11 | J102802000 | PORTAMANDOS COMPL. FTG6-05 | CONTROL HOLDER FTG6-05 | 1 | - | - | - | | | |
| 11 | J102804000 | PORTAMANDOS COMPL. FTG6-10 | CONTROL HOLDER FTG6-10 | - | 1 | - | - | | | |
| 11 | J102824000 | PORTAMANDOS COMP. FTG6-05 CD | CONTROL HOLDER FTG6-05 CD | - | - | 1 | - | | | |
| 11 | J102822000 | PORTAMANDOS COMP. FTG6-10 CD | CONTROL HOLDER FTG6-10 CD | - | - | - | 1 | | | |
| | U022836000 | ESCUDO FAGOR | FAGOR EMBLEM | 1 | 1 | 1 | 1 | | | |
| | Q221023000 | CLIP SUJECIÓN RÁPIDA Ø5 | RAPID CONNECT CLIP Ø5 | 2 | 2 | 2 | 2 | | | |
| | Q419005000 | REMACHE 4x8 ALMG3 / ALUMINIO | RIVET 4X8 ALMG3 / ALUMINIUM | 6 | 6 | 6 | 6 | | | |
| | Q012031000 | TORNILLO EXAGONAL M5x10 A304 | HEXAGONAL BOLT M5x10 A304 | 2 | 2 | 2 | 2 | | | |
| | Q302022000 | ARANDELA 16x6x1,2 A304 | WASHER 16x6x1.2 A304 | 2 | 2 | 2 | 2 | | | |
| 12 | J102611000 | BASE INFERIOR FTG6-05 SNACK | LOWER BASE FTG6-05 SNACK | 1 | - | 1 | - | | | |
| 12 | J102612000 | BASE INFERIOR FTG6-10 SNACK | LOWER BASE FTG6-10 SNACK | - | 1 | - | 1 | | | |
| | Q419005000 | REMACHE 4X8 ALMG3 / ALUMINIO | RIVET 4X8 ALMG3 / ALUMINIUM | 6 | 6 | 6 | 6 | | | |
| 13 | J102616000 | GUÍA PANEL FRY-TOP 400 | GUIDE PANEL FRY-TOP 400 | 1 | - | 1 | - | | | |
| 13 | J102617000 | GUÍA PANEL FRY-TOP 600 | GUIDE PANEL FRY-TOP 600 | - | 1 | - | 1 | | | |
| | Q221342000 | REMACHE EXAGONAL M5 | HEXAGONAL RIVET M5 | 4 | 4 | 4 | 4 | | | |
| | Q012031000 | TORNILLO EXAGONAL M5x10 A304 | HEXAGONAL BOLT M5x10 A304 | 4 | 4 | 4 | 4 | | | |
| | | | | | | | | | | |
| | | | | | | | | | | |
| | | | | | | | | | | |

| | | | | | |
|-------------|----------------|-------------|----------------------|--------------|---------------|
| MOD. | FRY-TOP | ZONA | MUEBLE / UNIT | PLANO | C-2385 |
|-------------|----------------|-------------|----------------------|--------------|---------------|

| ITEM | CODIGO | DENOMINACION | TEXTO | FTG6-05 | FTG6-10 | FTG/C6-05 | FTG/C6-10 | | | | NOTAS |
|-------------|---------------|------------------------------|-----------------------------|----------------|----------------|------------------|------------------|--|--|--|----------------------|
| 14 | J002801000 | PANEL LATERAL IZQUIERDO | LEFT SIDE PANEL | 1 | 1 | 1 | 1 | | | | ELIMINADA 01.04.2010 |
| 14 | J002833000 | PANEL LATERAL IZQUIERDO | LEFT SIDE PANEL | 1 | 1 | 1 | 1 | | | | INTRODUC. 01.04.2010 |
| | Q221342000 | REMACHE EXAGONAL M5 | HEXAGONAL RIVET M5 | 1 | 1 | 1 | 1 | | | | |
| | Q419007000 | REMACHE TUBULAR C/V D3.2X6 | TUBULAR RIVET C/V D3.2X6 | 8 | 8 | 8 | 8 | | | | |
| | X010503000 | CIERRE MUELLE | LOCK SPRING | 4 | 4 | 4 | 4 | | | | ELIMINADA 01.04.2010 |
| | Z442918000 | CLIP CIERRE | LOCK SPRING | 4 | 4 | 4 | 4 | | | | INTRODUC. 01.04.2010 |
| 15 | Z200107000 | PATA REGULABLE | ADJUSTABLE LEG | 4 | 4 | 4 | 4 | | | | |
| 16 | J112803000 | PANEL POSTERIOR FRY-TOP 400 | REAR PANEL FRY-TOP 400 | 1 | — | 1 | — | | | | |
| 16 | J112809000 | PANEL POSTERIOR FRY-TOP 600 | REAR PANEL FRY-TOP 600 | — | 1 | — | 1 | | | | |
| | Q419005000 | REMACHE 4x8 ALMG3 / ALUMINIO | RIVET 4X8 ALMG3 / ALUMINIUM | 4 | 4 | 4 | 4 | | | | |
| | | | | | | | | | | | |
| | | | | | | | | | | | |
| | | | | | | | | | | | |
| | | | | | | | | | | | |
| | | | | | | | | | | | |
| | | | | | | | | | | | |
| | | | | | | | | | | | |
| | | | | | | | | | | | |
| | | | | | | | | | | | |
| | | | | | | | | | | | |
| | | | | | | | | | | | |
| | | | | | | | | | | | |
| | | | | | | | | | | | |
| | | | | | | | | | | | |
| | | | | | | | | | | | |
| | | | | | | | | | | | |
| | | | | | | | | | | | |
| | | | | | | | | | | | |
| | | | | | | | | | | | |

N plano
C-23886

Firma
(Firma)

Fecha
2009-06

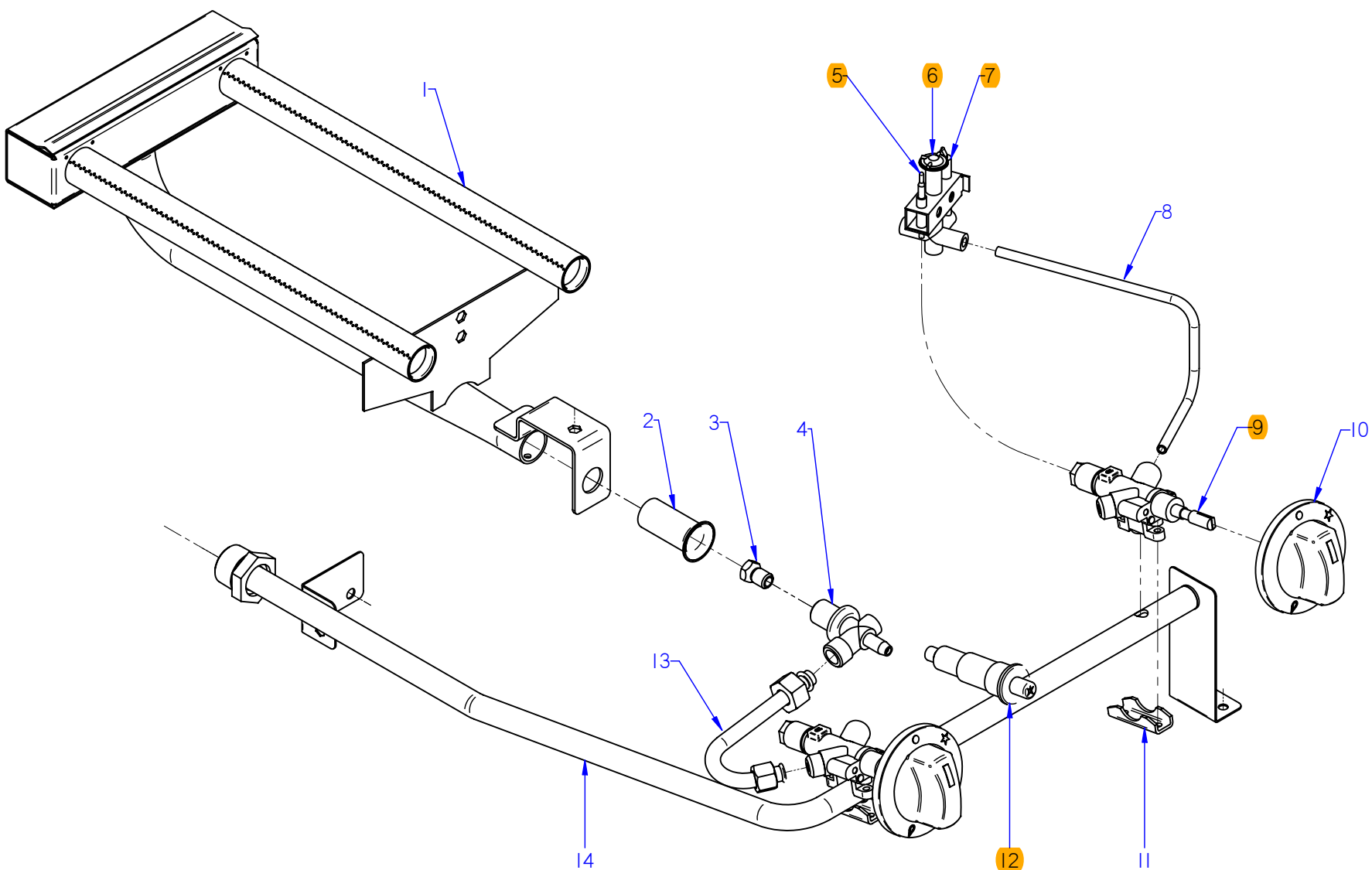
Aparato
FRY-TOP FTG6-05 / FTG6-10

CONJUNTO FUNCIONAL

Lamina
2

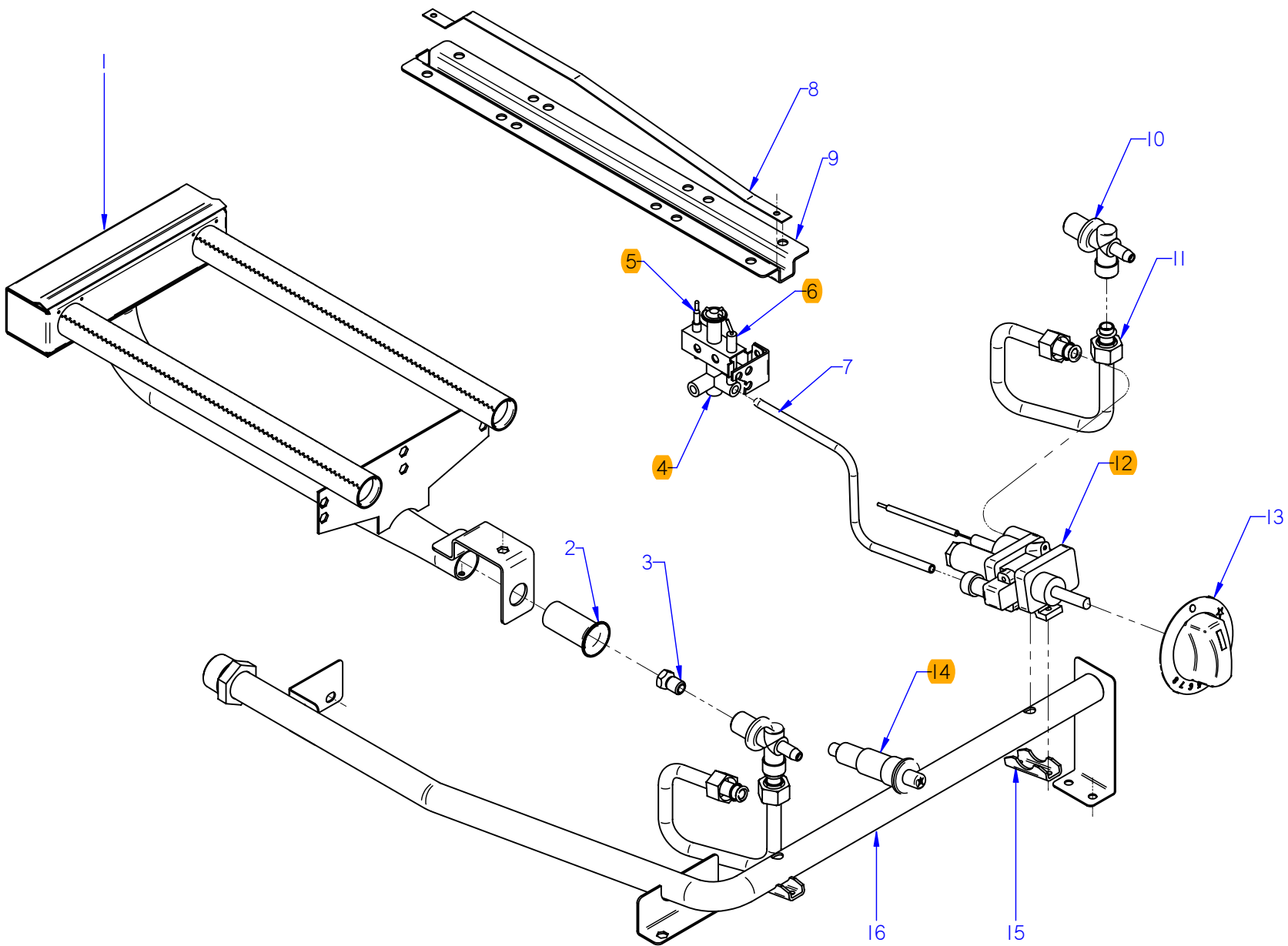
Fagor Industrial S. Coop. **FAGOR**
Omate

ITEM MARCADO EN COLOR = REPUESTO RECOMENDADO
COLOURED ITEM = RECOMMENDED SPARE PART



| MOD. | | FRY-TOP | | ZONA | CONJUNTO FUNCIONAL / FUNCTIONAL UNIT | | | | PLANO | C-2386 |
|------|------------|-------------------------------|------------------------------|---------|--------------------------------------|--|--|--|----------------------|--------|
| ITEM | CODIGO | DENOMINACION | TEXTO | FTG6-05 | FTG6-10 | | | | | |
| 1 | J105717000 | QUEMADOR FRY-TOP SNACK | COMPLETE BURNER FTG-710 | 1 | 2 | | | | | |
| | Q221342000 | REMACHE EXAGONAL M5 | HEXAGONAL RIVET M5 | 3 | 6 | | | | | |
| | Q012031000 | TORNILLO EXAGONAL M5X10 A.304 | HEXAGONAL BOLT M5X10 A.304 | 3 | 6 | | | | | |
| | Q302022000 | ARANDELA 16X6X1.2 A.304 | WASHER 16X6X1.2 A.304 | 3 | 6 | | | | | |
| 2 | U325707000 | REGULADOR DE AIRE | AIR REGULATOR | 1 | 2 | | | | | |
| | Q012032000 | TORNILLO EXAGONAL M5X15 A.304 | HEXAGONAL BOLT M5X15 A.304 | 1 | 2 | | | | | |
| 3 | U122407000 | TOBERA DE Ø 1,05 B.P. | NOZZLE Ø 1,05 B.P. | 1 | - | | | | | |
| 3 | R302400000 | TOBERA DE Ø 1,65 G.N. | NOZZLE Ø 1,65 G.N. | 1 | - | | | | | |
| 3 | J142400000 | TOBERA DE Ø 0,90 B.P. | NOZZLE Ø 0,90 B.P. | - | 2 | | | | | |
| 3 | R612400000 | TOBERA DE Ø 1,35 G.N. | NOZZLE Ø 1,35 G.N. | - | 2 | | | | | |
| 4 | U265033000 | PORTATOBERAS Ø10 | NOZZLE HOLDER Ø10 | 1 | 2 | | | | | |
| | Q223019000 | TUERCA 3/8 GAS LATÓN | NUT 3/8 GAS BRASS | 1 | 2 | | | | | |
| | Q301323000 | ARANDELA Ø25X17X6 | WASHER Ø25X17X6 | 1 | 2 | | | | | |
| 5 | U222130000 | TERMOPAR L=600 | THERMOCOUPLE L=600 | 1 | 2 | | | | | |
| 6 | U322118000 | PILOTO COMPLETO 100.062 | COMPLETE PILOT LIGHT 100.062 | 1 | 2 | | | | | |
| | Q012031000 | TORNILLO EXAGONAL M5X10 A.304 | HEXAGONAL BOLT M5X10 A.304 | 2 | 4 | | | | | |
| 7 | X022131000 | BUJIA | SPARK PLUG | 1 | 2 | | | | | |
| S/Nº | R613030000 | CABLE BUJIA | SPARK PLUG CABLE | 1 | 2 | | | | | |
| S/Nº | U333003000 | CABLE MASA ENCENDEDOR | LIGHTER EARTH CABLE | 1 | 2 | | | | | |
| 8 | J105009000 | TUBO PILOTO FTG SNACK | PILOT PIPE FTG SNACK | 1 | 2 | | | | ELIMINADA 01.10.2009 | |
| 8 | J105019000 | TUBO PILOTO FTG SNACK | PILOT PIPE FTG SNACK | 1 | 2 | | | | INTRODUC. 01.10.2009 | |
| S/Nº | U134323000 | RACORD BICONO 6 958.031 | BICONE CONNECTION 6 958.031 | 2 | 4 | | | | | |
| 9 | J102101000 | GRIFO ACAL 20705 | TAP ACAL 20705 | 1 | 2 | | | | | |
| 10 | J102102000 | BOTON DE MANDO FTG SNACK | CONTROL BUTTON FTG SNACK | 1 | 2 | | | | | |
| 11 | Z982018000 | BRIDA AMARRE TERMOSTATO | FASTENING FLANGE TERMOST | 1 | 2 | | | | | |
| | Q011353000 | TORNILLO EXAGONAL M5X30 | HEXAGONAL BOLT M5X30 | 2 | 4 | | | | | |
| 12 | S113034000 | PIEZOELECTRICO | PIEZOELECTRIC | 1 | 2 | | | | | |
| 13 | J105011000 | CONDUC. QUEMADOR FTG SNACK | BURNER PIPE FTG SNACK | 1 | 2 | | | | ELIMINADA 01.10.2009 | |
| 13 | J105018000 | CONDUC. QUEMADOR FTG SNACK | BURNER PIPE FTG SNACK | 1 | 2 | | | | INTRODUC. 01.10.2009 | |

ITEM MARCADO EN COLOR = REPUESTO RECOMENDADO
 COLOURED ITEM = RECOMMENDED SPARE PART



| MOD. | | FRY-TOP | | ZONA | CONJUNTO FUNCIONAL / FUNCTIONAL UNIT | | | | PLANO | C-2386a |
|------|------------|-------------------------------|------------------------------|-----------|--------------------------------------|--|--|--|-------|---------|
| ITEM | CODIGO | DENOMINACION | TEXTO | FTG/C6-05 | FTG/C6-10 | | | | | |
| 1 | J105717000 | QUEMADOR FRY-TOP SNACK | COMPLETE BURNER FTG-710 | 1 | 2 | | | | | |
| | Q221342000 | REMACHE EXAGONAL M5 | HEXAGONAL RIVET M5 | 3 | 6 | | | | | |
| | Q012031000 | TORNILLO EXAGONAL M5X10 A.304 | HEXAGONAL BOLT M5X10 A.304 | 3 | 6 | | | | | |
| | Q302022000 | ARANDELA 16X6X1.2 A.304 | WASHER 16X6X1.2 A.304 | 3 | 6 | | | | | |
| 2 | U325707000 | REGULADOR DE AIRE | AIR REGULATOR | 1 | 2 | | | | | |
| | Q012032000 | TORNILLO EXAGONAL M5X15 A.304 | HEXAGONAL BOLT M5X15 A.304 | 1 | 2 | | | | | |
| 3 | U122407000 | TOBERA DE Ø 1,05 B.P. | NOZZLE Ø 1,05 B.P. | 1 | - | | | | | |
| 3 | R302400000 | TOBERA DE Ø 1,65 G.N. | NOZZLE Ø 1,65 G.N. | 1 | - | | | | | |
| 3 | J142400000 | TOBERA DE Ø 0,90 B.P. | NOZZLE Ø 0,90 B.P. | - | 2 | | | | | |
| 3 | R612400000 | TOBERA DE Ø 1,35 G.N. | NOZZLE Ø 1,35 G.N. | - | 2 | | | | | |
| 4 | R202100000 | CONJUNTO SOP. PILOTO COMP. | COMP. PILOT SUPP. UNIT | 1 | 2 | | | | | |
| 5 | U222130000 | TERMOPAR L=600 | THERMOCOUPLE L=600 | 1 | 2 | | | | | |
| 6 | X022131000 | BUJIA | SPARK PLUG | 1 | 2 | | | | | |
| S/Nº | R613030000 | CABLE BUJIA | SPARK PLUG CABLE | 1 | 2 | | | | | |
| S/Nº | U333003000 | CABLE MASA ENCENDEDOR | LIGHTER EARTH CABLE | 1 | 2 | | | | | |
| 7 | J105029000 | TUBO PILOTO FTG SNACK | PILOT PIPE FTG SNACK | 1 | 1 | | | | | |
| 7 | J105028000 | TUBO PILOTO FTG SNACK | PILOT PIPE FTG SNACK | - | 1 | | | | | |
| S/Nº | U134323000 | RACORD BICONO 6 958.031 | BICONE CONNECTION 6 958.031 | 1 | 2 | | | | | |
| S/Nº | X205028000 | BICONO Ø6 | BICONE Ø6 | 1 | 1 | | | | | |
| S/Nº | U195009000 | MANGUITO EMPALME | SPLICE SLEEVE | 1 | 1 | | | | | |
| 8 | R162632000 | SOPORTE BULBO | BULB HOLDER | 1 | 1 | | | | | |
| 9 | R162631000 | BASE SOPORTE BULBO | SUPPORT BASE BULB | 1 | 1 | | | | | |
| | Q419005000 | REMACHE 4X8 ALMG3 / ALUMINIO | RIVET 4X8 ALMG3 / ALUMINIUM | 2 | 2 | | | | | |
| | Q012041000 | TORNILLO EXAGONAL M6X10 A.304 | HEXAGONAL BOLT M6X10 A.304 | 4 | 4 | | | | | |
| 10 | U265033000 | PORTATOBERAS Ø10 | NOZZLE HOLDER Ø10 | 1 | 2 | | | | | |
| | Q223019000 | TUERCA 3/8 GAS LATÓN | NUT 3/8 GAS BRASS | 1 | 2 | | | | | |
| | Q301323000 | ARANDELA Ø25X17X6 | WASHER Ø25X17X6 | 1 | 2 | | | | | |
| 11 | J105025000 | CONDUC. QUEMADOR FTG G600 | BURNER PIPE FTG G600 | 1 | 2 | | | | | |
| 12 | U742130000 | TERMOSTATO MTZ-7200-0.5 | THERMOSTAT MTZ-7200-0.5 | 1 | 2 | | | | | |
| S/Nº | J022103000 | BY-PASS 0,7 TERMOST MTZ-7200 | BY-PASS 0,7 TERMOST MTZ-7200 | 1 | 2 | | | | | |
| | Q307034000 | JUNTA ESTANQUEIDAD | SEALING SEAL | 1 | 2 | | | | | |

