

**Lavavajillas
Lavevaisselle
Dishwasher
Geschirrspüler
Lavastoviglie**

Modelos:

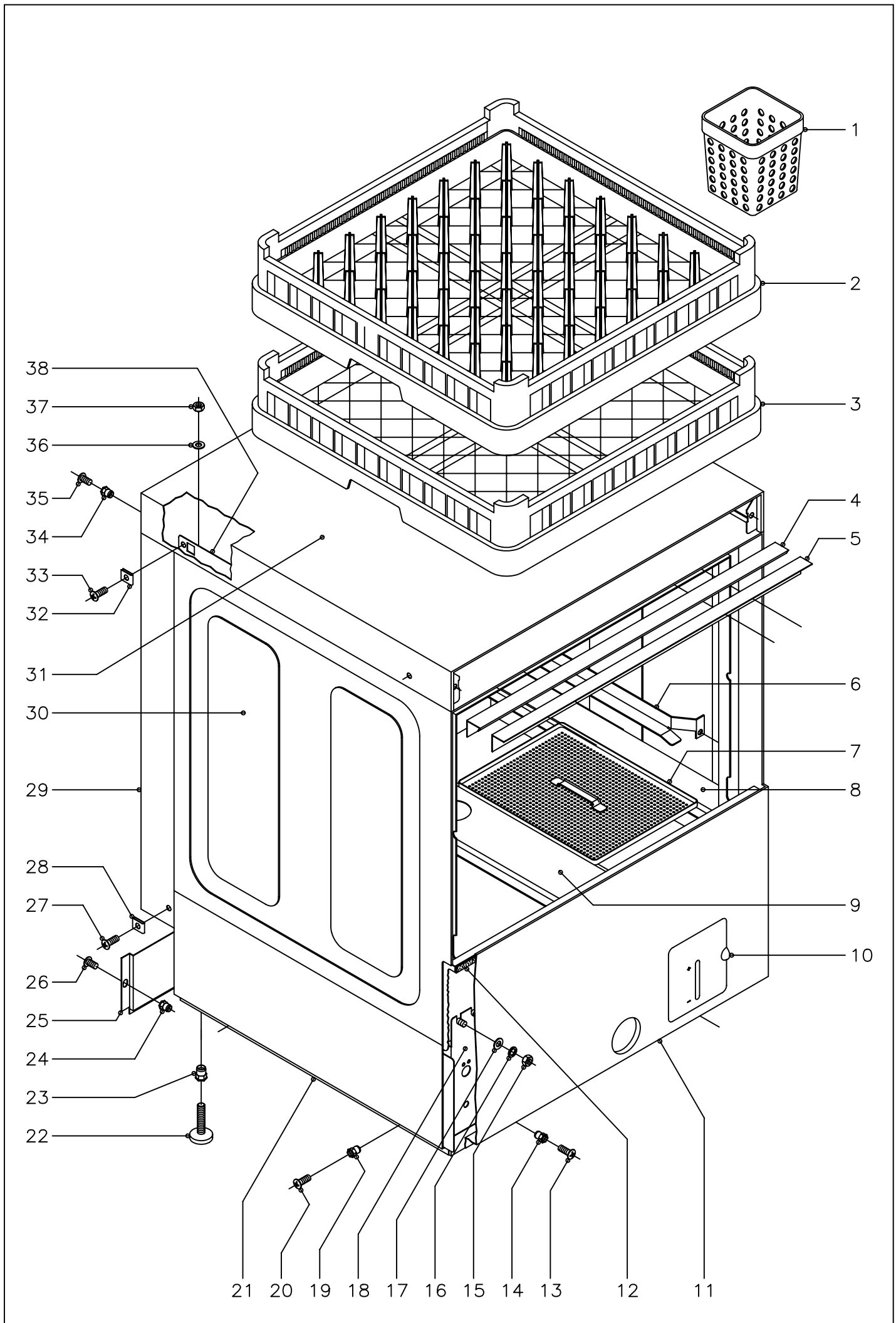
**FI-48
FI-48 B
FI-48 W
MF-48**


**FI-64
FI-64 B
FI-64 W
MF-64**

Junio 2003 June

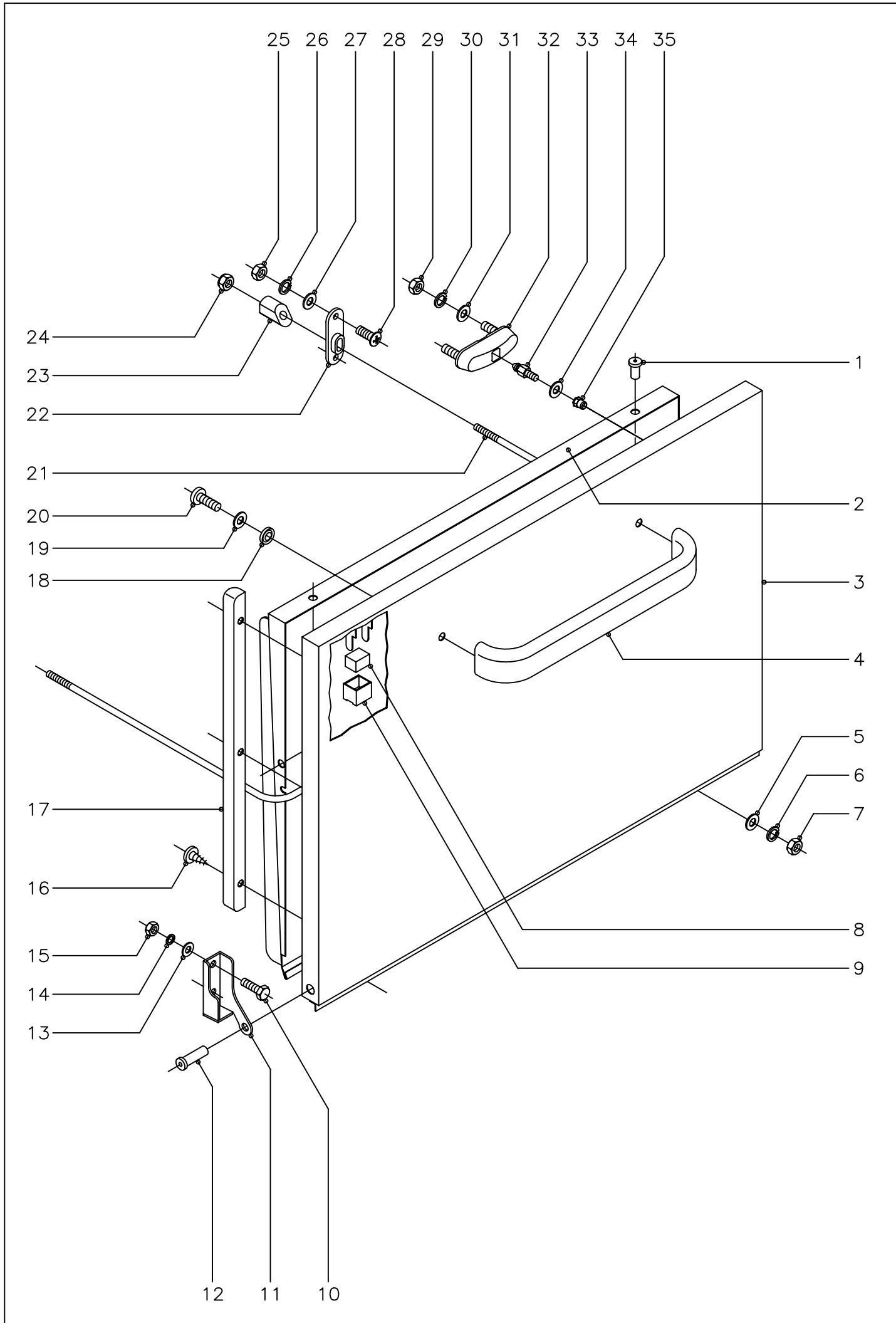


Fagor Industrial



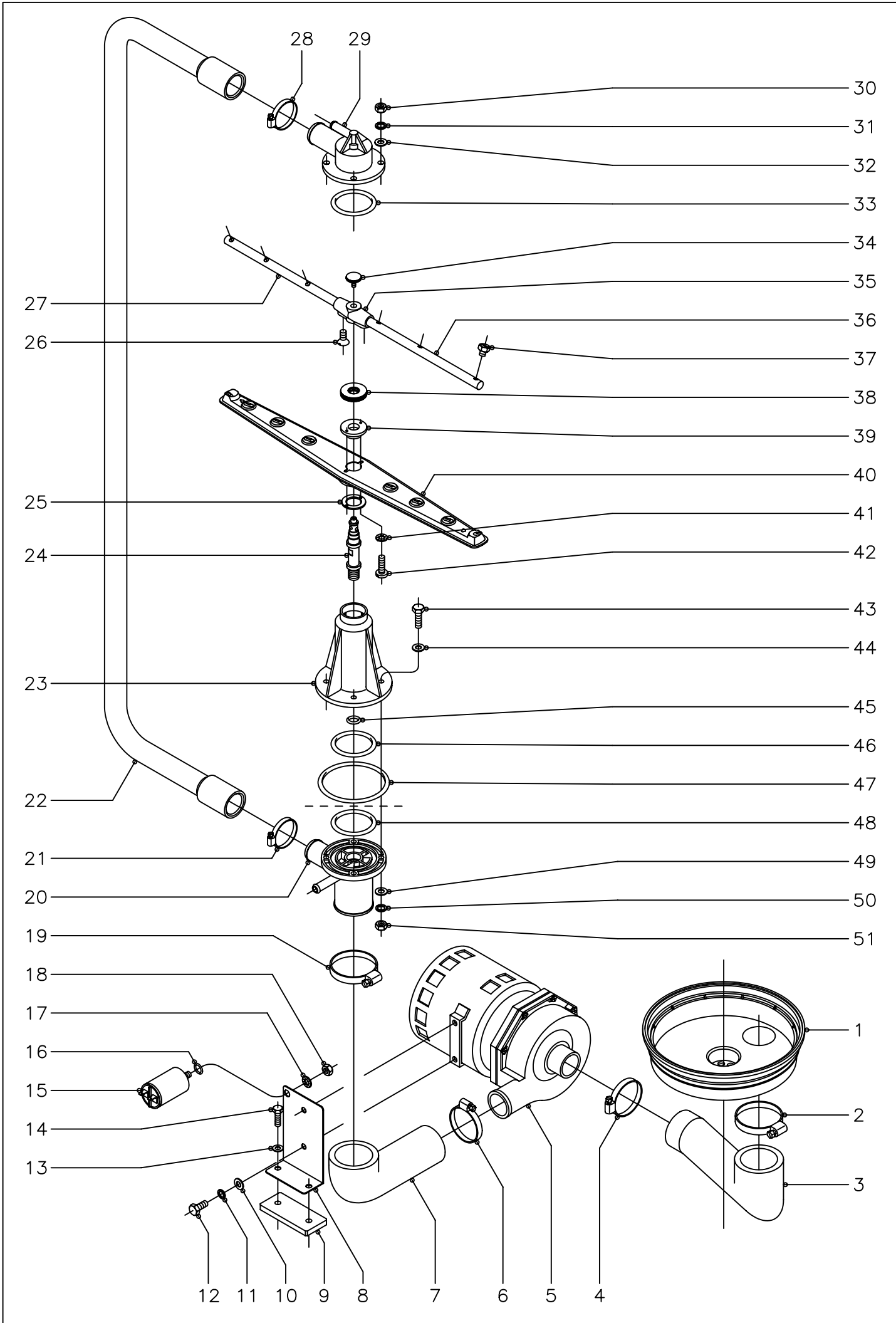
| | | | | | |
|-------------------|--|-----------------|---------------------------------------|-----------------------|--|
| N plano C-1373 | Firma  | Fecha 6-2003 | Aparato LAVAVAJILLAS 48;48B;64;64B | MUEBLE Lamina 1 | Fagor Industrial S.Coop. FAGOR Onate |
|-------------------|--|-----------------|---------------------------------------|-----------------------|--|



| MOD. | | LAVAVAJILLAS FRONTAL | | ZONA | | MUEBLE Y CESTILOS | | | | | | PLANO | | C-1373 | |
|------|---------|----------------------------|-------|-------|--------|-------------------|--------|---------|-------|---------|-------|-------|--|--------|-------|
| ITEM | CODIGO | DENOMINACION | TEXTO | FI-48 | FI-48B | FI-64 | FI-64B | FI-48 W | MF-48 | FI-64 W | MF-64 | | | | NOTAS |
| 1 | Z655314 | Cestillo cubiertos | | 4 | 4 | 4 | 4 | 4 | | 4 | | | | | |
| 2 | Z655302 | Cestillo platos CP-16/18 | | 1 | 1 | 1 | 1 | 1 | | 1 | | | | | |
| 3 | Z655301 | Cestillo base CT-10 | | 1 | 1 | 1 | 1 | 1 | | 1 | | | | | |
| 4 | Z200315 | Perfil caja | | 1 | 1 | 1 | 1 | 1 | | 1 | | | | | |
| 5 | Z200309 | Escuadra sujecion perfil | | 1 | 1 | 1 | 1 | 1 | | 1 | | | | | |
| 6 | Z200305 | Guia cestillo derecha | | 1 | 1 | 1 | 1 | 1 | | 1 | | | | | |
| s/n | Z200306 | Guia cestillo izquierda | | 1 | 1 | 1 | 1 | 1 | | 1 | | | | | |
| | Q232040 | Arandela plana A-6 | | 4 | 4 | 4 | 4 | 4 | | 4 | | | | | |
| | Q162040 | Tuerca exagonal M-6 | | 4 | 4 | 4 | 4 | 4 | | 4 | | | | | |
| 7 | Z210801 | Bandeja filtro | | 4 | 4 | 4 | 4 | 4 | | 4 | | | | | |
| 8 | Z210805 | Soporte derecho bandejas | | 1 | 1 | 1 | 1 | 1 | | 1 | | | | | |
| s/n | Z210806 | Soporte izquierdo bandejas | | 1 | 1 | 1 | 1 | 1 | | 1 | | | | | |
| 9 | Z210804 | Soporte central bandejas | | 1 | 1 | 1 | 1 | 1 | | 1 | | | | | |
| | Q232040 | Arandela plana A-6 | | 8 | 8 | 8 | 8 | 8 | | 8 | | | | | |
| | Q162040 | Tuerca exagonal M-6 | | 8 | 8 | 8 | 8 | 8 | | 8 | | | | | |
| 10 | Z212902 | Puerta deposito completa | | 1 | 1 | 1 | 1 | - | | - | | | | | |
| 10 | Z218424 | Puerta deposito completa | | - | - | - | - | 1 | | 1 | | | | | |
| s/n | Z212906 | Eje puerta | | 1 | 1 | 1 | 1 | 1 | | 1 | | | | | |
| s/n | Q372001 | Pasador de aletas Ø2x15 | | 2 | 2 | 2 | 2 | 2 | | 2 | | | | | |
| 11 | Z218611 | Panel frontal | | 1 | - | 1 | - | - | | - | | | | | |
| 11 | Z228811 | Panel frontal | | - | 1 | - | 1 | 1 | | 1 | | | | | |
| 12 | Z200313 | Perfil goma esponjosa | | 1 | 1 | 1 | 1 | 1 | | 1 | | | | | |
| 13 | Q152004 | Tornillo aplastado M-5x13 | | 2 | 2 | 2 | 2 | 2 | | 2 | | | | | |
| 14 | Q221342 | Remache exagonal M-5 | | 2 | 2 | 2 | 2 | 2 | | 2 | | | | | |
| 15 | Q162040 | Tuerca exagonal M-6 | | 8 | 8 | 8 | 8 | 8 | | 8 | | | | | |
| 16 | Q262040 | Arandela muelle A-6 | | 8 | 8 | 8 | 8 | 8 | | 8 | | | | | |
| 17 | Q232040 | Arandela plana A-6 | | 8 | 8 | 8 | 8 | 8 | | 8 | | | | | |
| 18 | Z200101 | Armazon completo | | 1 | 1 | 1 | 1 | 1 | | 1 | | | | | |
| 19 | Q221342 | Remache exagonal M-5 | | 4 | 4 | 4 | 4 | 4 | | 4 | | | | | |



| | | | | | |
|-------------------|--|-----------------|---------------------------------------|-----------------------|--|
| N plano C-1374 | Firma  | Fecha 6-2003 | Aparato LAVAVAJILLAS 48;48B;64;64B | PUERTA Lamina 2 | Fagor Industrial S.Coop. FAGOR  Oñate |
|-------------------|--|-----------------|---------------------------------------|-----------------------|--|

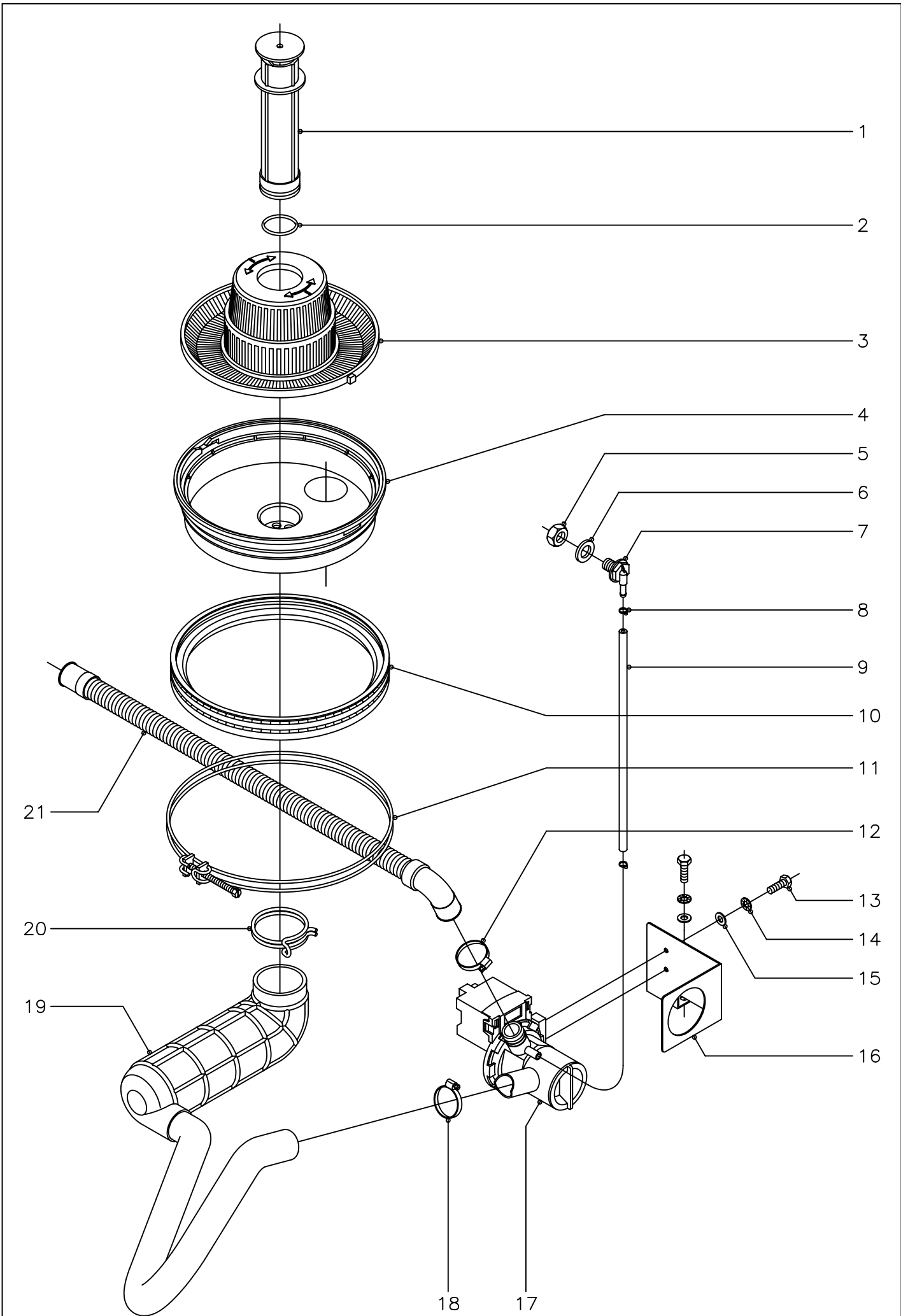
| MOD. | | LAVAVAJILLAS FRONTAL | | ZONA | | PUERTA | | | | | | PLANO | | C-1374 | |
|------|---------|--------------------------|-------|-------|---------|--------|-------|---------|--------|-------|-------|-------|--|--------|-------|
| ITEM | CODIGO | DENOMINACION | TEXTO | FI-48 | FI-48 W | FI-48B | FI-64 | FI-64 W | FI-64B | MF-48 | MF-64 | | | | NOTAS |
| 1 | Q412000 | Remache tubular Ø4x8 | | 4 | | 4 | 4 | | 4 | 4 | 4 | | | | |
| 2 | Z200545 | Contrapuerta soldada | | 1 | | 1 | 1 | | 1 | 1 | 1 | | | | |
| 3 | Z200541 | Puerta soldada | | 1 | | 1 | 1 | | 1 | 1 | 1 | | | | |
| 4 | Z200512 | Asa puerta | | 1 | | 1 | 1 | | 1 | - | - | | | | |
| 4 | Z650531 | Asa puerta | | - | | - | - | | - | 1 | 1 | | | | |
| 5 | Q232030 | Arandela plana A-5 | | 2 | | 2 | 2 | | 2 | 2 | 2 | | | | |
| 6 | Q262030 | Arandela muelle A-5 | | 2 | | 2 | 2 | | 2 | 2 | 2 | | | | |
| 7 | Q162030 | Tuerca exagonal M-5 | | 2 | | 2 | 2 | | 2 | 2 | 2 | | | | |
| 8 | Z200506 | Iman | | 1 | | 1 | 1 | | 1 | 1 | 1 | | | | |
| 9 | Z200507 | Protector iman | | 1 | | 1 | 1 | | 1 | 1 | 1 | | | | |
| 10 | Q012042 | Tornillo exagonal M-6x15 | | 4 | | 4 | 4 | | 4 | 4 | 4 | | | | |
| 11 | Z400514 | Bisagra izquierda | | 1 | | 1 | 1 | | 1 | 1 | 1 | | | | |
| s/n | Z400515 | Bisagra derecha | | 1 | | 1 | 1 | | 1 | 1 | 1 | | | | |
| 12 | Z400516 | Eje puerta | | 2 | | 2 | 2 | | 2 | 2 | 2 | | | | |
| 13 | Q232040 | Arandela plana A-6 | | 4 | | 4 | 4 | | 4 | 4 | 4 | | | | |
| 14 | Q262040 | Arandela muelle A-6 | | 4 | | 4 | 4 | | 4 | 4 | 4 | | | | |
| 15 | Q162040 | Tuerca exagonal M-6 | | 4 | | 4 | 4 | | 4 | 4 | 4 | | | | |
| 16 | Q082005 | Tornillo chapa 4,2x13 | | 6 | | 6 | 6 | | 6 | 6 | 6 | | | | |
| 17 | Z200524 | Marco puerta | | 2 | | 2 | 2 | | 2 | 2 | 2 | | | | |
| 18 | Q308002 | Arandela dubo A-6 | | 2 | | 2 | 2 | | 2 | 2 | 2 | | | | |
| 19 | Q232040 | Arandela plana A-6 | | 2 | | 2 | 2 | | 2 | 2 | 2 | | | | |
| 20 | Q032041 | Tornillo alomado M-6x10 | | 2 | | 2 | 2 | | 2 | 2 | 2 | | | | |
| 21 | Z200521 | Varilla tensor | | 1 | | 1 | 1 | | 1 | 1 | 1 | | | | |
| 22 | Z200310 | Soporte tensor | | 2 | | 2 | 2 | | 2 | 2 | 2 | | | | |
| 23 | Z200522 | Tensor de puerta | | 2 | | 2 | 2 | | 2 | 2 | 2 | | | | |
| 24 | Q222012 | Tuerca autoblocante M-6 | | 2 | | 2 | 2 | | 2 | 2 | 2 | | | | |
| 25 | Q162030 | Tuerca exagonal M-5 | | 4 | | 4 | 4 | | 4 | 4 | 4 | | | | |
| 26 | Q262030 | Arandela muelle A-5 | | 4 | | 4 | 4 | | 4 | 4 | 4 | | | | |
| 27 | Q232030 | Arandela plana A-5 | | 4 | | 4 | 4 | | 4 | 4 | 4 | | | | |

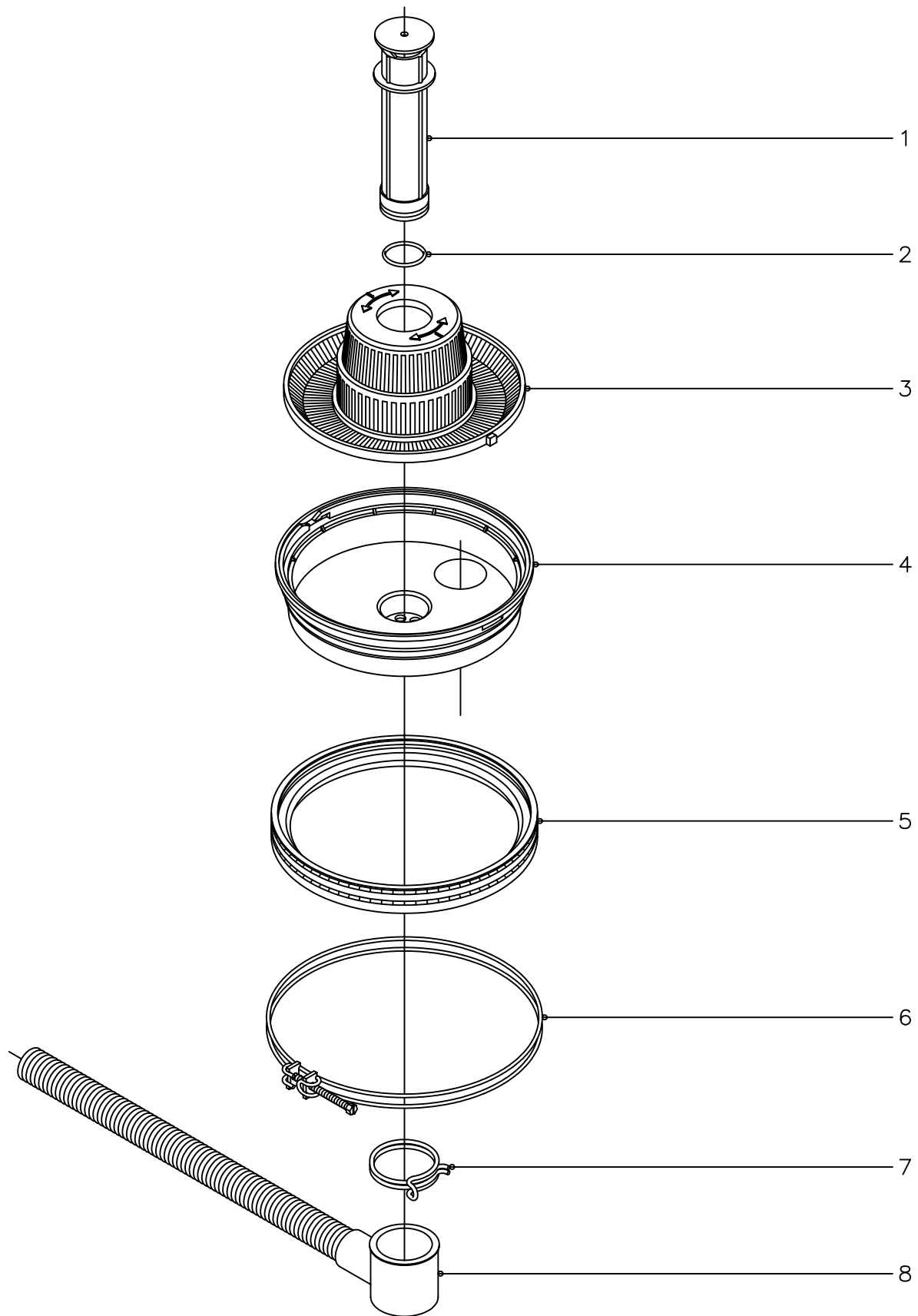




| | | | | | |
|-------------------|--|-----------------|--|-------------|--|
| N plano C-1375 | Firma  | Fecha 6-2003 | Aparato PARTE FUNCIONAL DE LAVADO LAVAVAJILLAS 48;48B;64;64B | Lamina 3 | Fagor Industrial S.Coop. FAGOR  Onate |
|-------------------|--|-----------------|--|-------------|--|

| MOD. | | LAVAVAJILLAS FRONTAL | | ZONA | | PARTE FUNCIONAL DE LAVADO | | | | | | PLANO | | C-1375 | |
|------|---------|-----------------------------------|-------|-------|--------|---------------------------|--------|---------|-------|---------|-------|-------|--|--------|-------|
| ITEM | CODIGO | DENOMINACION | TEXTO | FI-48 | FI-48B | FI-64 | FI-64B | FI-48 W | MF-48 | FI-64 W | MF-64 | | | | NOTAS |
| 1 | Z200906 | Cubeta | | 1 | 1 | 1 | 1 | 1 | 1 | 1 | | | | | |
| 2 | Q881324 | Abrazadera 50 - 70 | | 1 | 1 | 1 | 1 | 1 | 1 | 1 | | | | | |
| 3 | Z200904 | Codo aspiracion | | 1 | 1 | 1 | 1 | 1 | 1 | 1 | | | | | |
| 4 | Q881307 | Abrazadera 40 - 60 | | 1 | 1 | 1 | 1 | 1 | 1 | 1 | | | | | |
| 5 | Z201011 | Bomba de lavado (230 V., 50 Hz.) | | 1 | 1 | 1 | 1 | - | - | | | | | | |
| 5 | Z203511 | Bomba de lavado (230 V., 60 Hz.) | | 1 | 1 | 1 | 1 | 1 | 1 | 1 | | | | | |
| | Z201081 | Conjunto junta y reten | | 1 | 1 | 1 | 1 | 1 | 1 | 1 | | | | | |
| | Z201082 | Turbina 50 Hz. (Ø 88 mm.) | | 1 | 1 | 1 | 1 | - | - | | | | | | |
| | Z203571 | Turbina 60 Hz. (Ø 77 mm.) | | 1 | 1 | 1 | 1 | 1 | 1 | 1 | | | | | |
| 6 | Q881307 | Abrazadera 40 - 60 | | 1 | 1 | 1 | 1 | 1 | 1 | 1 | | | | | |
| 7 | Z200905 | Codo impulsion | | 1 | 1 | 1 | 1 | 1 | 1 | 1 | | | | | |
| 8 | Z201002 | Soporte motobomba | | 1 | 1 | 1 | 1 | 1 | 1 | 1 | | | | | |
| 9 | Z201003 | Base bomba lavado | | 1 | 1 | 1 | 1 | 1 | 1 | 1 | | | | | |
| 10 | Q232040 | Arandela plana A-6 | | 2 | 2 | 2 | 2 | 2 | 2 | 2 | | | | | |
| 11 | Q262040 | Arandela muelle A-6 | | 2 | 2 | 2 | 2 | 2 | 2 | 2 | | | | | |
| 12 | Q012041 | Tornillo exagonal M-6x10 | | 2 | 2 | 2 | 2 | 2 | 2 | 2 | | | | | |
| 13 | Q232030 | Arandela plana A-5 | | 2 | 2 | 2 | 2 | 2 | 2 | 2 | | | | | |
| 14 | Q012033 | Tornillo exagonal M-5x20 | | 2 | 2 | 2 | 2 | 2 | 2 | 2 | | | | | |
| 15 | V321300 | Condensador 10 mF. | | 1 | 1 | 1 | 1 | 1 | 1 | 1 | | | | | |
| 16 | Q307048 | Junta torica Ø16,18xØ9,12xØ3,53 | | 1 | 1 | 1 | 1 | 1 | 1 | 1 | | | | | |
| 17 | Q242050 | Arandela abanico A-8 | | 1 | 1 | 1 | 1 | 1 | 1 | 1 | | | | | |
| 18 | Q162050 | Tuerca exagonal M-8 | | 1 | 1 | 1 | 1 | 1 | 1 | 1 | | | | | |
| 19 | Q881324 | Abrazadera 50 - 70 | | 1 | 1 | 1 | 1 | 1 | 1 | 1 | | | | | |
| 20 | Z200703 | Pasamuros | | 1 | 1 | 1 | 1 | 1 | 1 | 1 | | | | | |
| 21 | Q881305 | Abrazadera 25 - 40 | | 1 | 1 | 1 | 1 | 1 | 1 | 1 | | | | | |
| 22 | Z200706 | Arbol de lavado | | 1 | 1 | 1 | 1 | 1 | 1 | 1 | | | | | |
| 23 | Z200701 | Soporte distribuidor inferior | | 1 | 1 | 1 | 1 | 1 | 1 | 1 | | | | | |
| 24 | Z200704 | Eje central | | 2 | 2 | 2 | 2 | 2 | 2 | 2 | | | | | |
| 25 | Z650711 | Amarre engancho distribuidor | | 2 | 2 | 2 | 2 | 2 | 2 | 2 | | | | | |

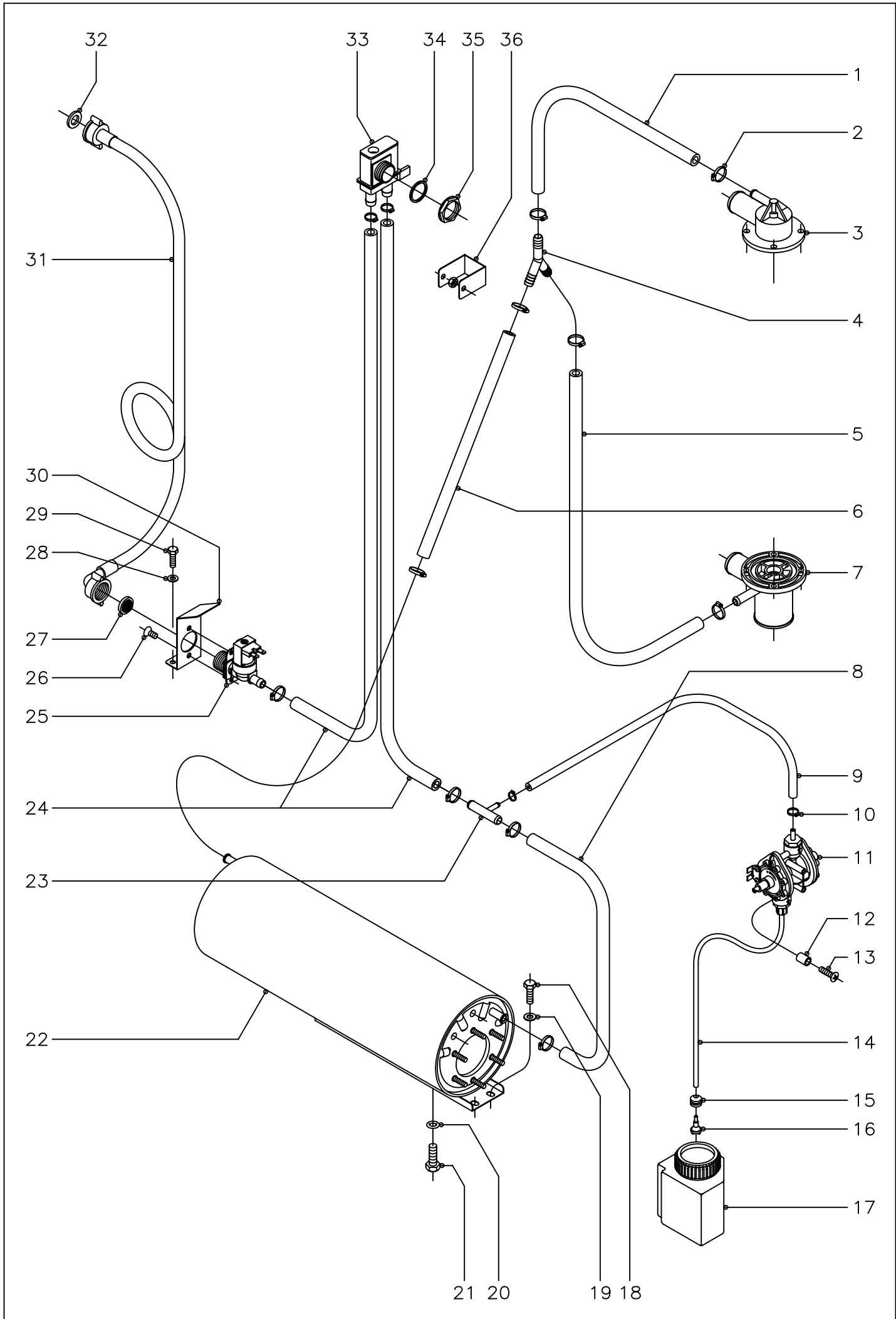
| MOD. | | LAVAVAJILLAS FRONTAL | | ZONA | | PARTE FUNCIONAL DE LAVADO | | | | | | PLANO | | C-1375 | |
|------|---------|----------------------------------|-------|-------|--------|---------------------------|--------|---------|-------|---------|-------|-------|--|--------|-------|
| ITEM | CODIGO | DENOMINACION | TEXTO | FI-48 | FI-48B | FI-64 | FI-64B | FI-48 W | MF-48 | FI-64 W | MF-64 | | | | NOTAS |
| 26 | Q152024 | Tornillo avellanado M-4x8 | | 4 | 4 | 4 | 4 | 4 | | 4 | | | | | |
| 27 | Z201902 | Rama aclarado izquierda | | 2 | 2 | 2 | 2 | 2 | | 2 | | | | | |
| 28 | Q881305 | Abrazadera 25 - 40 | | 1 | 1 | 1 | 1 | 1 | | 1 | | | | | |
| 29 | Z200707 | Soporte distribuidor superior | | 1 | 1 | 1 | 1 | 1 | | 1 | | | | | |
| 30 | Q162040 | Tuerca exagonal M-6 | | 4 | 4 | 4 | 4 | 4 | | 4 | | | | | |
| 31 | Q262040 | Arandela muelle A-6 | | 4 | 4 | 4 | 4 | 4 | | 4 | | | | | |
| 32 | Q232040 | Arandela plana A-6 | | 4 | 4 | 4 | 4 | 4 | | 4 | | | | | |
| 33 | Q307052 | Junta torica Ø60,83xØ50,17xØ5,33 | | 1 | 1 | 1 | 1 | 1 | | 1 | | | | | |
| 34 | Q152016 | Tornillo especial M-5x0,8 | | 2 | 2 | 2 | 2 | 2 | | 2 | | | | | |
| 35 | Z201903 | Soporte ramas aclarado | | 2 | 2 | 2 | 2 | 2 | | 2 | | | | | |
| 36 | Z201901 | Rama aclarado derecha | | 2 | 2 | 2 | 2 | 2 | | 2 | | | | | |
| 37 | Z211903 | Tobera aclarado | | 12 | 12 | 12 | 12 | 12 | | 12 | | | | | |
| 38 | Z200705 | Tuerca especial M-14x1 | | 2 | 2 | 2 | 2 | 2 | | 2 | | | | | |
| 39 | Z650704 | Eganche distribuidor | | 2 | 2 | 2 | 2 | 2 | | 2 | | | | | |
| 40 | Z650716 | Distribuidor montado | | 2 | 2 | 2 | 2 | 2 | | 2 | | | | | |
| 41 | Q242010 | Arandela abanico A-3 | | 4 | 4 | 4 | 4 | 4 | | 4 | | | | | |
| 42 | Q152015 | Tornillo alomado M-3x6 | | 4 | 4 | 4 | 4 | 4 | | 4 | | | | | |
| 43 | Q012046 | Tornillo exagonal M-6x40 | | 4 | 4 | 4 | 4 | 4 | | 4 | | | | | |
| 44 | Q306050 | Arandela fibra roja Ø11xØ6,2x1,5 | | 4 | 4 | 4 | 4 | 4 | | 4 | | | | | |
| 45 | Q307050 | Junta torica Ø19,18xØ13,94xØ2,62 | | 1 | 1 | 1 | 1 | 1 | | 1 | | | | | |
| 46 | Q307052 | Junta torica Ø60,83xØ50,17xØ5,33 | | 1 | 1 | 1 | 1 | 1 | | 1 | | | | | |
| 47 | Q307049 | Junta torica Ø95,75xØ85,09xØ5,33 | | 1 | 1 | 1 | 1 | 1 | | 1 | | | | | |
| 48 | Q307052 | Junta torica Ø60,83xØ50,17xØ5,33 | | 1 | 1 | 1 | 1 | 1 | | 1 | | | | | |
| 49 | Q232040 | Arandela plana A-6 | | 4 | 4 | 4 | 4 | 4 | | 4 | | | | | |
| 50 | Q262040 | Arandela muelle A-6 | | 4 | 4 | 4 | 4 | 4 | | 4 | | | | | |
| 51 | Q162040 | Tuerca exagonal M-6 | | 4 | 4 | 4 | 4 | 4 | | 4 | | | | | |
| | | | | | | | | | | | | | | | |
| | | | | | | | | | | | | | | | |
| | | | | | | | | | | | | | | | |





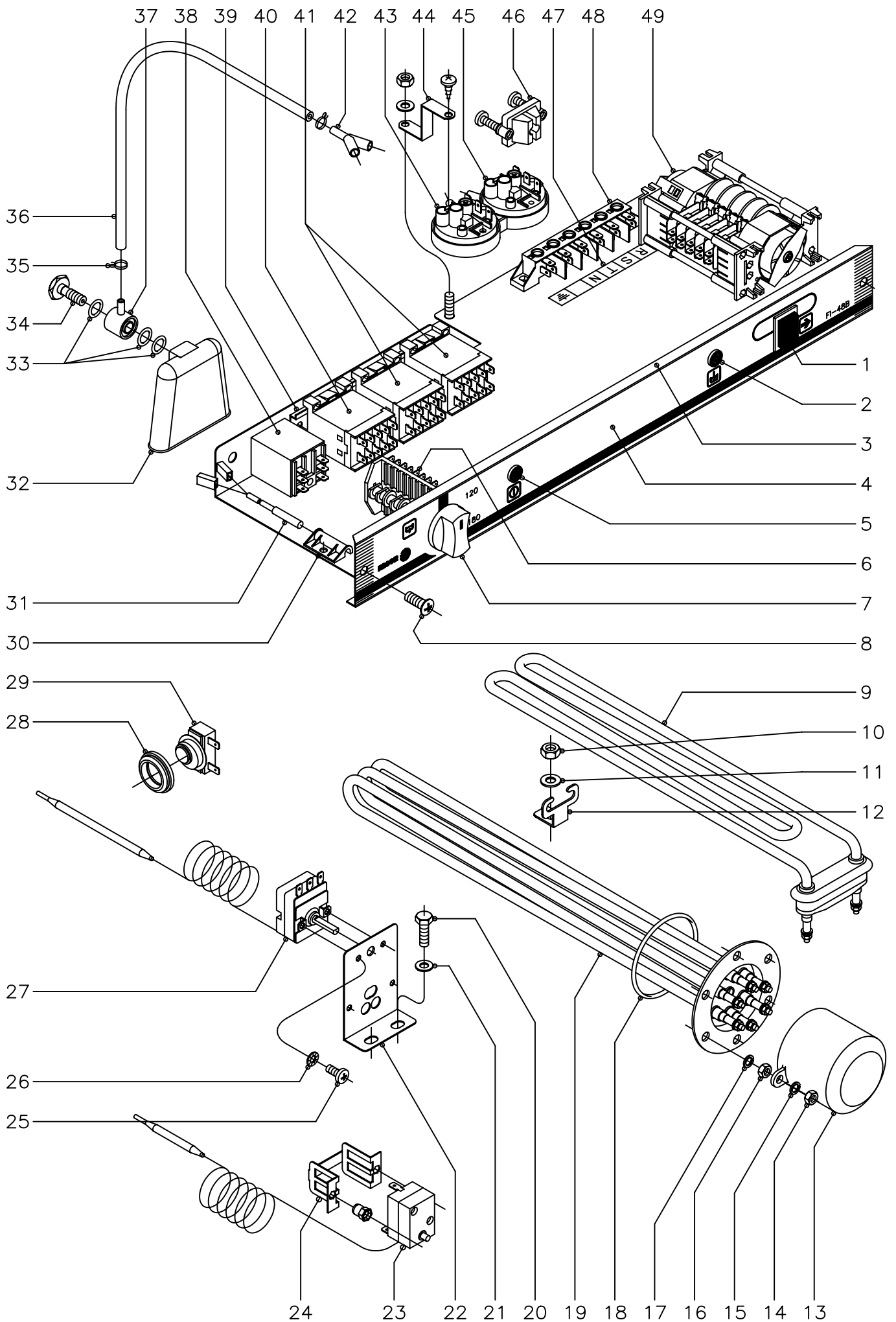
| | | | | | |
|-------------------|--|-----------------|--|-------------|--|
| N plano C-1377 | Firma  | Fecha 6-2003 | Aparato PARTE FUNCIONAL DESAGUE (POR GRAVEDAD) LAVAVAJILLAS FI-48;FI-64 | Lamina 5 | Fagor Industrial S.Coop. FAGOR  Oñate |
|-------------------|--|-----------------|--|-------------|--|

| MOD. | | LAVAVAJILLAS FRONTAL | | ZONA | PARTE FUNCIONAL ACLARADO | | | | PLANO | C-1378 | | |
|------|---------|------------------------------------|-------|-------|--------------------------|-------|--------|--|-------|--------|--|-------|
| ITEM | CODIGO | DENOMINACION | TEXTO | FI-48 | FI-48B | FI-64 | FI-64B | | | | | NOTAS |
| 1 | 3676900 | Tubo goma negra Ø17xØ10x360 | | 1 | 1 | 1 | 1 | | | | | |
| 2 | Q881302 | Abrazadera 12 - 20 | | 10 | 10 | 10 | 10 | | | | | |
| 3 | Z200707 | Soporte distribuidor superior | | 1 | 1 | 1 | 1 | | | | | |
| 4 | Z201106 | Racord en "Y" | | 1 | 1 | 1 | 1 | | | | | |
| 5 | 3676900 | Tubo goma negra Ø17xØ10x780 | | 1 | 1 | 1 | 1 | | | | | |
| 6 | 3676900 | Tubo goma negra Ø17xØ10x580 | | 1 | 1 | 1 | 1 | | | | | |
| 7 | Z200703 | Pasamuros | | 1 | 1 | 1 | 1 | | | | | |
| 8 | 3676900 | Tubo goma negra Ø17xØ10x330 | | 2 | 2 | 2 | 2 | | | | | |
| 9 | 3704000 | Tubo goma negra Ø10,5xØ5x620 | | 1 | 1 | 1 | 1 | | | | | |
| 10 | Q881308 | Abrazadera 8 - 14 | | 2 | 2 | 2 | 2 | | | | | |
| 11 | Z651123 | Dosificador tensoactivo | | 1 | 1 | 1 | 1 | | | | | |
| 12 | Z203007 | Casquillo | | 2 | 2 | 2 | 2 | | | | | |
| 13 | Q041324 | Tornillo avellanado M-4x25 | | 2 | 2 | 2 | 2 | | | | | |
| 14 | 3699200 | Conducto tensoactivo Ø6xØ4x650 | | 1 | 1 | 1 | 1 | | | | | |
| 15 | N023064 | Pasamuros Ø6xØ13 | | 1 | 1 | 1 | 1 | | | | | |
| 16 | Z601153 | Filtro aspiracion tensoactivo | | 1 | 1 | 1 | 1 | | | | | |
| 17 | Z211101 | Deposito abrillantador tensoactivo | | 1 | 1 | 1 | 1 | | | | | |
| 18 | Q012031 | Tornillo exagonal M-5x10 | | 2 | 2 | 2 | 2 | | | | | |
| 19 | Q232030 | Arandela plana A-5 | | 2 | 2 | 2 | 2 | | | | | |
| 20 | Q307048 | Junta torica Ø16,18xØ9,12xØ3,53 | | 1 | 1 | 1 | 1 | | | | | |
| 21 | Q012063 | Tornillo exagonal M-10x20 | | 1 | 1 | 1 | 1 | | | | | |
| 22 | Z201710 | Cuerpo calderin | | 1 | 1 | 1 | 1 | | | | | |
| 23 | Z601157 | Toma presion | | 1 | 1 | 1 | 1 | | | | | |
| 24 | Z701135 | Electrovalvula entrada de agua | | 1 | 1 | 1 | 1 | | | | | |
| 25 | Q152024 | Tornillo avellanado M-4x8 | | 2 | 2 | 2 | 2 | | | | | |
| 26 | Z701132 | Filtro junta | | 1 | 1 | 1 | 1 | | | | | |
| 27 | Q232030 | Arandela plana A-5 | | 2 | 2 | 2 | 2 | | | | | |
| 28 | Q012031 | Tornillo exagonal M-5x10 | | 2 | 2 | 2 | 2 | | | | | |
| 29 | Z201101 | Escuadra amarre electrovalvula | | 1 | 1 | 1 | 1 | | | | | |



| | | | | | | |
|-------------------|-----------|-----------------|---|--------------------------|-------------|--|
| N plano C-1379 | Firma | Fecha 6-2003 | Aparato LAVAVAJILLAS 48;64;W;MF;A.R. | PARTE FUNCIONAL ACLARADO | Lamina 7 | Fagor Industrial S.Coop. FAGOR Onate |
|-------------------|-----------|-----------------|---|--------------------------|-------------|--|

| MOD. | | LAVAVAJILLAS FRONTAL | | ZONA | | PARTE FUNCIONAL ACLARADO | | | | PLANO | | C-1379 | |
|------|---------|------------------------------------|-------|---------|-------|--------------------------|-------|--|--|-------|--|--------|-------|
| ITEM | CODIGO | DENOMINACION | TEXTO | FI-48 W | MF-48 | FI-64 W | MF-64 | | | | | | NOTAS |
| 1 | 3676900 | Tubo goma negra Ø17xØ10x360 | | 1 | | 1 | | | | | | | |
| 2 | Q881302 | Abrazadera 12 - 20 | | 10 | | 10 | | | | | | | |
| 3 | Z200707 | Soporte distribuidor superior | | 1 | | 1 | | | | | | | |
| 4 | Z201106 | Racord en "Y" | | 1 | | 1 | | | | | | | |
| 5 | 3676900 | Tubo goma negra Ø17xØ10x780 | | 1 | | 1 | | | | | | | |
| 6 | 3676900 | Tubo goma negra Ø17xØ10x580 | | 1 | | 1 | | | | | | | |
| 7 | Z200703 | Pasamuros | | 1 | | 1 | | | | | | | |
| 8 | 3676900 | Tubo goma negra Ø17xØ10x330 | | 1 | | 1 | | | | | | | |
| 9 | 3704000 | Tubo goma negra Ø10,5xØ5x620 | | 1 | | 1 | | | | | | | |
| 10 | Q881308 | Abrazadera 8 - 14 | | 2 | | 2 | | | | | | | |
| 11 | Z651123 | Dosificador tensoactivo | | 1 | | 1 | | | | | | | |
| 12 | Z203007 | Casquillo | | 2 | | 2 | | | | | | | |
| 13 | Q041324 | Tornillo avellanado M-4x25 | | 2 | | 2 | | | | | | | |
| 14 | 3699200 | Conducto tensoactivo Ø6xØ4x650 | | 1 | | 1 | | | | | | | |
| 15 | N023064 | Pasamuros Ø6xØ13 | | 1 | | 1 | | | | | | | |
| 16 | Z601153 | Filtro aspiracion tensoactivo | | 1 | | 1 | | | | | | | |
| 17 | Z211101 | Deposito abrillantador tensoactivo | | 1 | | 1 | | | | | | | |
| 18 | Q012031 | Tornillo exagonal M-5x10 | | 2 | | 2 | | | | | | | |
| 19 | Q232030 | Arandela plana A-5 | | 2 | | 2 | | | | | | | |
| 20 | Q307048 | Junta torica Ø16,18xØ9,12xØ3,53 | | 1 | | 1 | | | | | | | |
| 21 | Q012063 | Tornillo exagonal M-10x20 | | 1 | | 1 | | | | | | | |
| 22 | Z201710 | Cuerpo calderin | | 1 | | 1 | | | | | | | |
| 23 | Z601157 | Toma presion | | 1 | | 1 | | | | | | | |
| 24 | 3676900 | Tubo goma negra Ø17xØ10x1000 | | 2 | | 2 | | | | | | | |
| 25 | Z701135 | Electrovalvula entrada de agua | | 1 | | 1 | | | | | | | |
| 26 | Q152024 | Tornillo avellanado M-4x8 | | 2 | | 2 | | | | | | | |
| 27 | Z701132 | Filtro junta | | 1 | | 1 | | | | | | | |
| 28 | Q232030 | Arandela plana A-5 | | 2 | | 2 | | | | | | | |
| 29 | Q012031 | Tornillo exagonal M-5x10 | | 2 | | 2 | | | | | | | |



N plano
C-1380

Firma

Fecha
6-2003

Aparato
LAVAVAJILLAS 48;48B;64;64B

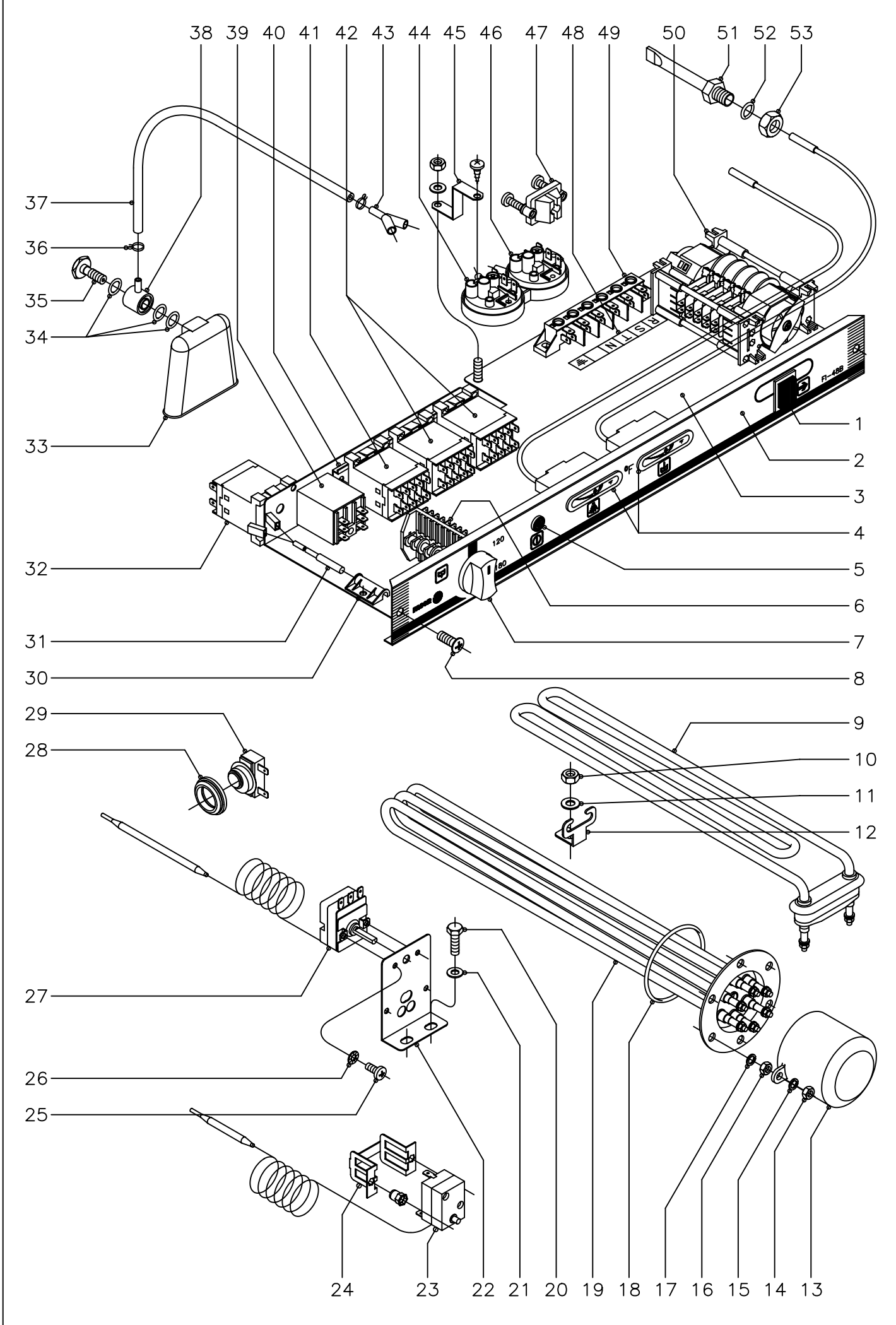
PARTE FUNCIONAL ELECTRICA

Lamina
8

Fagor Industrial S.Coop. **FAGOR**
Oñate

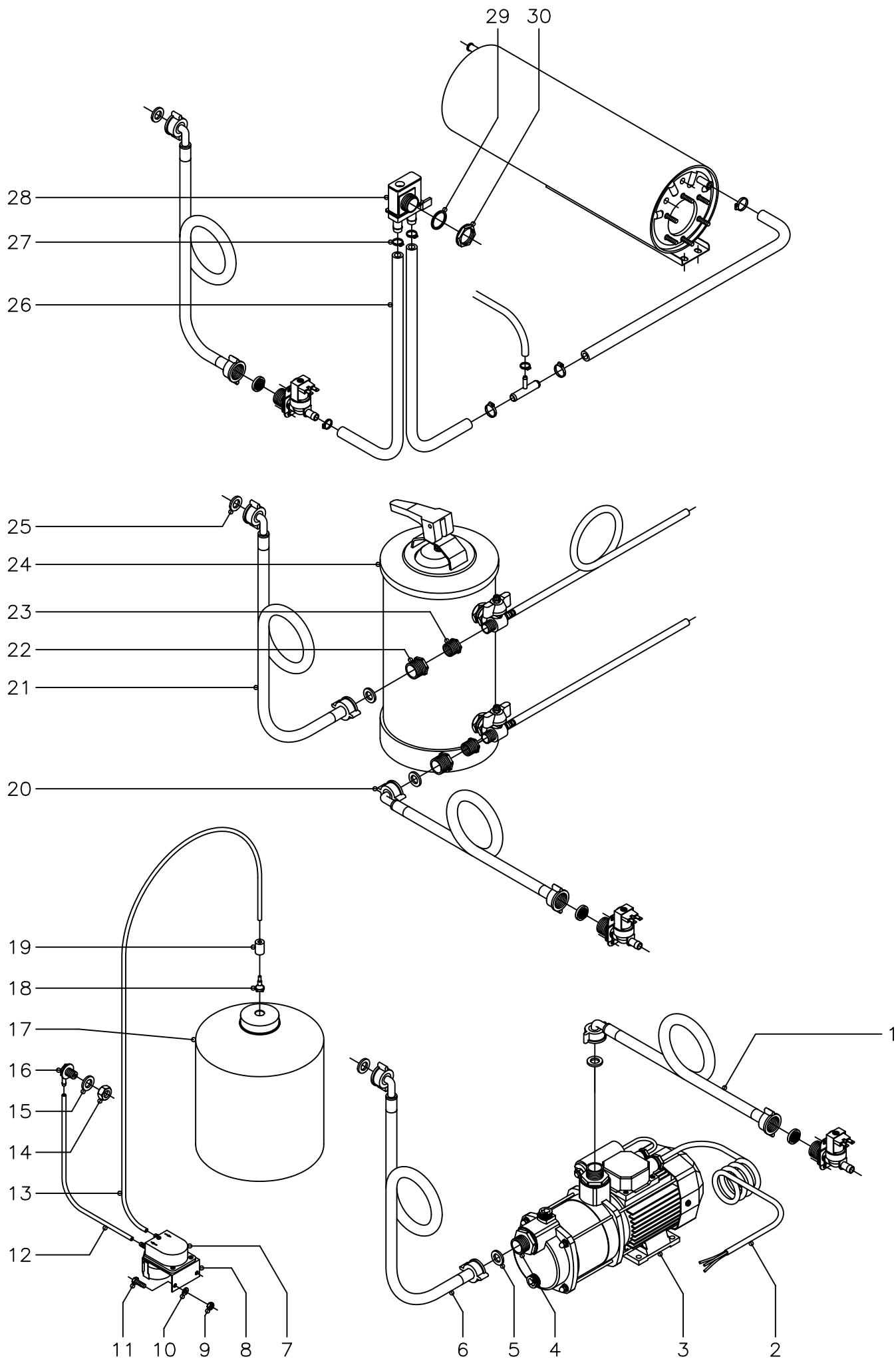
| MOD. | | LAVAVAJILLAS FRONTAL | | ZONA | | PARTE FUNCIONAL ELECTRICA | | | | PLANO | | C-1380 | |
|------|---------|-----------------------------------|-------|-------|--------|---------------------------|--------|--|--|-------|--|--------|-------|
| ITEM | CODIGO | DENOMINACION | TEXTO | FI-48 | FI-48B | FI-64 | FI-64B | | | | | | NOTAS |
| 1 | Z213033 | Pulsador de marcha | | 1 | 1 | 1 | 1 | | | | | | |
| 2 | R693055 | Piloto verde | | 1 | 1 | 1 | 1 | | | | | | |
| 3 | Z212909 | Frente extraible | | 1 | 1 | 1 | 1 | | | | | | |
| 4 | Z212910 | Embellecedor adhesivo | | 1 | - | - | - | | | | | | |
| 4 | Z222902 | Embellecedor adhesivo | | - | 1 | - | - | | | | | | |
| 4 | Z242901 | Embellecedor adhesivo | | - | - | 1 | - | | | | | | |
| 4 | Z252901 | Embellecedor adhesivo | | - | - | - | 1 | | | | | | |
| 5 | R693056 | Piloto ambar | | 1 | 1 | 1 | 1 | | | | | | |
| 6 | Z213003 | Conmutador de funciones | | 1 | - | 1 | - | | | | | | |
| 6 | Z223001 | Conmutador de funciones | | - | 1 | - | 1 | | | | | | |
| 7 | R663062 | Boton de mando completo | | 1 | 1 | 1 | 1 | | | | | | |
| 8 | Q152004 | Tornillo aplastado M-5x13 | | 2 | 2 | 2 | 2 | | | | | | |
| 9 | Z203601 | Resistencia tanque 2800 W.230V. | | 1 | 1 | 1 | 1 | | | | | | |
| 10 | Q162040 | Tuerca exagonal M-6 | | 1 | 1 | 1 | 1 | | | | | | |
| 11 | Q232040 | Arandela plana A-6 | | 1 | 1 | 1 | 1 | | | | | | |
| 12 | Z603602 | Soporte resistencia tanque | | 1 | 1 | 1 | 1 | | | | | | |
| 13 | Z651731 | Caperuza resistencia calderin | | 1 | 1 | 1 | 1 | | | | | | |
| 14 | Q163140 | Tuerca exagonal M-6 | | 2 | 2 | 2 | 2 | | | | | | |
| 15 | Q262040 | Arandela muelle A-6 | | 2 | 2 | 2 | 2 | | | | | | |
| 16 | Q163140 | Tuerca exagonal M-6 | | 6 | 6 | 6 | 6 | | | | | | |
| 17 | Q262040 | Arandela muelle A-6 | | 6 | 6 | 6 | 6 | | | | | | |
| 18 | Q307035 | Junta torica AN-36 | | 1 | 1 | 1 | 1 | | | | | | |
| 19 | Z201706 | Resistencia calderin 2800 W.230V. | | 1 | 1 | - | - | | | | | | |
| 19 | Z241701 | Resistencia calderin 6000 W.230V. | | - | - | 1 | 1 | | | | | | |
| 20 | Q012031 | Tornillo exagonal M-5x10 | | 2 | 2 | 2 | 2 | | | | | | |
| 21 | Q232030 | Arandela plana A-5 | | 2 | 2 | 2 | 2 | | | | | | |
| 22 | Z203047 | Soporte termostatos | | 1 | 1 | 1 | 1 | | | | | | |
| 23 | Z213014 | Termostato limitador Tecasa | | 1 | 1 | 1 | 1 | | | | | | |
| 24 | Z203060 | Amarre limitador Tecasa | | 1 | 1 | 1 | 1 | | | | | | |

| MOD. | | LAVAVAJILLAS FRONTAL | | ZONA | PARTE FUNCIONAL ELECTRICA | | | | PLANO | C-1380 | |
|------|---------|--------------------------------------|-------|-------|---------------------------|-------|--------|--|-------|--------|-------|
| ITEM | CODIGO | DENOMINACION | TEXTO | FI-48 | FI-48B | FI-64 | FI-64B | | | | NOTAS |
| | Q221341 | Remache exagonal M-4 | | 2 | 2 | 2 | 2 | | | | |
| 25 | Q153111 | Tornillo alomado M-4x8 | | 4 | 4 | 4 | 4 | | | | |
| 26 | Q242020 | Arandela abanico A-4 | | 4 | 4 | 4 | 4 | | | | |
| 27 | Z203014 | Termostato calderin | | 1 | 1 | 1 | 1 | | | | |
| 28 | N503017 | Soporte termostato | | 1 | 1 | 1 | 1 | | | | |
| 29 | Z718405 | Termostato doble (tanque) | | 1 | 1 | 1 | 1 | | | | |
| 30 | Z203010 | Amarre interruptor magnetico | | 1 | 1 | 1 | 1 | | | | |
| 31 | Z203009 | Interruptor magnetico | | 1 | 1 | 1 | 1 | | | | |
| 32 | Z203011 | Camara presostato | | 1 | 1 | 1 | 1 | | | | |
| 33 | Q307003 | Junta torica Ø16,01xØ10,77xØ2,62 | | 3 | 3 | 3 | 3 | | | | |
| 34 | Z203013 | Tornillo presostato | | 1 | 1 | 1 | 1 | | | | |
| 35 | P102154 | Brida elastica para tubo | | 2 | 2 | 2 | 2 | | | | |
| 36 | 3702400 | Tubo goma negra Ø8xØ4x1300 | | 1 | 1 | 1 | 1 | | | | |
| 37 | Z203012 | Empalme presostato | | 1 | 1 | 1 | 1 | | | | |
| 38 | Z203062 | Rele puerta 230 V., 50/60 Hz. | | 1 | 1 | 1 | 1 | | | | |
| 39 | Z123018 | Guia contactor L=55 | | 2 | 2 | - | - | | | | |
| 39 | Z103084 | Guia contactor L=138 | | - | - | 1 | 1 | | | | |
| 40 | Z213007 | Contactador 230 V. 50/60 Hz.(tanque) | | 1 | 1 | 1 | 1 | | | | |
| 41 | Z213007 | Contactador 230V.50/60 Hz.(calderin) | | - | - | 2 | 2 | | | | |
| 41 | Z203050 | Contactador 230V.50/60 Hz.(calderin) | | 1 | 1 | - | - | | | | |
| 42 | Z103077 | Racord en "Y" | | - | 1 | - | 1 | | | | |
| 43 | Z203023 | Presostato de nivel | | 1 | 1 | 1 | 1 | | | | |
| | Q082032 | Tornillo alomado BZ-3,5x9,5 | | 1 | 1 | 1 | 1 | | | | |
| 44 | Z602923 | Soporte presostato | | 1 | 1 | 1 | 1 | | | | |
| | Q152004 | Tornillo aplastado M-5x13 | | 1 | 1 | 1 | 1 | | | | |
| | Q232030 | Arandela plana A-5 | | 1 | 1 | 1 | 1 | | | | |
| | Q162030 | Tuerca exagonal M-5 | | 1 | 1 | 1 | 1 | | | | |
| 45 | Z223005 | Presostato de seguridad | | - | 1 | - | 1 | | | | |
| 46 | Z203020 | Retenedor de cable | | 1 | 1 | 1 | 1 | | | | |



| MOD. | | LAVAVAJILLAS FRONTAL | | ZONA | | PARTE FUNCIONAL ELECTRICA | | | | PLANO | | C-1381 | |
|------|---------|-----------------------------------|-------|---------|-------|---------------------------|-------|--|--|-------|--|--------|-------|
| ITEM | CODIGO | DENOMINACION | TEXTO | FI-48 W | MF-48 | FI-64 W | MF-64 | | | | | | NOTAS |
| 1 | Z213033 | Pulsador de marcha | | 1 | 1 | 1 | 1 | | | | | | |
| 2 | Z228401 | Embellecedor adhesivo | | 1 | - | - | - | | | | | | |
| 2 | Z228501 | Embellecedor adhesivo | | - | 1 | - | - | | | | | | |
| 2 | Z258401 | Embellecedor adhesivo | | - | - | 1 | - | | | | | | |
| 2 | Z258501 | Embellecedor adhesivo | | - | - | - | 1 | | | | | | |
| 3 | Z212909 | Frente extraible | | 1 | 1 | 1 | 1 | | | | | | |
| 4 | Z228405 | Indicador analogico Fahrenheit | | 2 | 2 | 2 | 2 | | | | | | |
| 5 | R693056 | Piloto ambar | | 1 | 1 | 1 | 1 | | | | | | |
| 6 | Z223001 | Conmutador de funciones | | 1 | 1 | 1 | 1 | | | | | | |
| 7 | R663062 | Boton de mando completo | | 1 | - | 1 | - | | | | | | |
| 7 | R663070 | Boton de mando completo | | - | 1 | - | 1 | | | | | | |
| 8 | Q152004 | Tornillo aplastado M-5x13 | | 2 | 2 | 2 | 2 | | | | | | |
| 9 | Z203601 | Resistencia tanque 2800 W.230V. | | 1 | 1 | 1 | 1 | | | | | | |
| 10 | Q162040 | Tuerca exagonal M-6 | | 1 | 1 | 1 | 1 | | | | | | |
| 11 | Q232040 | Arandela plana A-6 | | 1 | 1 | 1 | 1 | | | | | | |
| 12 | Z603602 | Soporte resistencia tanque | | 1 | 1 | 1 | 1 | | | | | | |
| 13 | Z651731 | Caperuza resistencia calderin | | 1 | 1 | 1 | 1 | | | | | | |
| 14 | Q163140 | Tuerca exagonal M-6 | | 2 | 2 | 2 | 2 | | | | | | |
| 15 | Q262040 | Arandela muelle A-6 | | 2 | 2 | 2 | 2 | | | | | | |
| 16 | Q163140 | Tuerca exagonal M-6 | | 6 | 6 | 6 | 6 | | | | | | |
| 17 | Q262040 | Arandela muelle A-6 | | 6 | 6 | 6 | 6 | | | | | | |
| 18 | Q307035 | Junta torica AN-36 | | 1 | 1 | 1 | 1 | | | | | | |
| 19 | Z201706 | Resistencia calderin 2800 W.230V. | | 1 | 1 | - | - | | | | | | |
| 19 | Z241701 | Resistencia calderin 6000 W.230V. | | - | - | 1 | 1 | | | | | | |
| 20 | Q012031 | Tornillo exagonal M-5x10 | | 2 | 2 | 2 | 2 | | | | | | |
| 21 | Q232030 | Arandela plana A-5 | | 2 | 2 | 2 | 2 | | | | | | |
| 22 | Z203047 | Soporte termostatos | | 1 | 1 | 1 | 1 | | | | | | |
| 23 | Z213014 | Termostato limitador Tecasa | | 1 | 1 | 1 | 1 | | | | | | |
| 24 | Z203060 | Amarre limitador Tecasa | | 1 | 1 | 1 | 1 | | | | | | |

| MOD. | | LAVAVAJILLAS FRONTAL | | ZONA | PARTE FUNCIONAL ELECTRICA | | | | PLANO | C-1381 | |
|------|---------|--------------------------------------|-------|---------|---------------------------|---------|-------|--|-------|--------|-------|
| ITEM | CODIGO | DENOMINACION | TEXTO | FI-48 W | MF-48 | FI-64 W | MF-64 | | | | NOTAS |
| | Q221341 | Remache exagonal M-4 | | 2 | 2 | 2 | 2 | | | | |
| 25 | Q153111 | Tornillo alomado M-4x8 | | 4 | 4 | 4 | 4 | | | | |
| 26 | Q242020 | Arandela abanico A-4 | | 4 | 4 | 4 | 4 | | | | |
| 27 | Z203014 | Termostato calderin | | 1 | 1 | 1 | 1 | | | | |
| 28 | N503017 | Soporte termostato | | 1 | 1 | 1 | 1 | | | | |
| 29 | Z718405 | Termostato doble (tanque) | | 1 | 1 | 1 | 1 | | | | |
| 30 | Z203010 | Amarre interruptor magnetico | | 1 | 1 | 1 | 1 | | | | |
| 31 | Z203009 | Interruptor magnetico | | 1 | 1 | 1 | 1 | | | | |
| 32 | Z683087 | Contactador 3TF20 01-3AL2, 230V. | | 1 | 1 | 1 | 1 | | | | |
| 33 | Z203011 | Camara presostato | | 1 | 1 | 1 | 1 | | | | |
| 34 | Q307003 | Junta torica Ø16,01xØ10,77xØ2,62 | | 3 | 3 | 3 | 3 | | | | |
| 35 | Z203013 | Tornillo presostato | | 1 | 1 | 1 | 1 | | | | |
| 36 | P102154 | Brida elastica para tubo | | 2 | 2 | 2 | 2 | | | | |
| 37 | 3702400 | Tubo goma negra Ø8xØ4x1300 | | 1 | 1 | 1 | 1 | | | | |
| 38 | Z203012 | Empalme presostato | | 1 | 1 | 1 | 1 | | | | |
| 39 | Z203062 | Rele puerta 230 V., 50/60 Hz. | | 1 | 1 | 1 | 1 | | | | |
| 40 | Z123018 | Guia contactor L=55 | | 2 | 2 | - | - | | | | |
| 40 | Z103084 | Guia contactor L=138 | | - | - | 1 | 1 | | | | |
| 41 | Z213007 | Contactador 230 V. 50/60 Hz.(tanque) | | 1 | 1 | 1 | 1 | | | | |
| 42 | Z213007 | Contactador 230V.50/60 Hz.(calderin) | | - | - | 2 | 2 | | | | |
| 42 | Z203050 | Contactador 230V.50/60 Hz.(calderin) | | 1 | 1 | - | - | | | | |
| 43 | Z103077 | Racord en "Y" | | 1 | 1 | 1 | 1 | | | | |
| 44 | Z203023 | Presostato de nivel | | 1 | 1 | 1 | 1 | | | | |
| | Q082032 | Tornillo alomado BZ-3,5x9,5 | | 1 | 1 | 1 | 1 | | | | |
| 45 | Z602923 | Soporte presostato | | 1 | 1 | 1 | 1 | | | | |
| | Q152004 | Tornillo aplastado M-5x13 | | 1 | 1 | 1 | 1 | | | | |
| | Q232030 | Arandela plana A-5 | | 1 | 1 | 1 | 1 | | | | |
| | Q162030 | Tuerca exagonal M-5 | | 1 | 1 | 1 | 1 | | | | |
| 46 | Z223005 | Presostato de seguridad | | 1 | 1 | 1 | 1 | | | | |



| MOD. | | LAVAVAJILLAS FRONTAL | | ZONA | ACCESORIOS PARA LAVAVAJILLAS | | | | PLANO | C-1382 | |
|--|---------|------------------------------------|-------|-------|------------------------------|-------|--------|--|-------|--------|-------|
| ITEM | CODIGO | DENOMINACION | TEXTO | FI-48 | FI-48B | FI-64 | FI-64B | | | | NOTAS |
| 1210305187 KIT BOMBA PRESION | | | | | | | | | | | |
| 1 | - | Manguera de maquina | | - | - | - | - | | | | |
| 2 | Z209510 | Cableado bomba de presion | | 1 | 1 | 1 | 1 | | | | |
| 3 | Z209508 | Bomba de presion (230 V., 50 Hz.) | | 1 | 1 | 1 | 1 | | | | |
| 3 | Z209508 | Bomba de presion (230 V., 60 Hz.) | | 1 | 1 | 1 | 1 | | | | |
| 4 | Z209509 | Manguito | | 2 | 2 | 2 | 2 | | | | |
| 5 | Q307031 | Junta manguera entrada agua | | 2 | 2 | 2 | 2 | | | | |
| 6 | Z602121 | Manguera entrada de agua | | 1 | 1 | 1 | 1 | | | | |
| 1210305188 KIT DOSIFICADOR DETERGENTE | | | | | | | | | | | |
| 7 | Z209521 | Dosificador de detergente | | 1 | 1 | 1 | 1 | | | | |
| | Q082005 | Tornillo chapa 4,2x13 | | 2 | 2 | 2 | 2 | | | | |
| 8 | Z209518 | Soporte dosificador de detergente | | 1 | 1 | 1 | 1 | | | | |
| 9 | Q162030 | Tuerca exagonal M-5 | | 2 | 2 | 2 | 2 | | | | |
| 10 | Q232030 | Arandela plana A-5 | | 2 | 2 | 2 | 2 | | | | |
| 11 | Q012031 | Tornillo exagonal M-5x10 | | 2 | 2 | 2 | 2 | | | | |
| 12 | 3699200 | Conducto detergente Ø6xØ4x500 | | 1 | 1 | 1 | 1 | | | | |
| 13 | 3699200 | Conducto detergente Ø6xØ4x2000 | | 1 | 1 | 1 | 1 | | | | |
| 14 | Q162070 | Tuerca exagonal M-12 | | 1 | 1 | 1 | 1 | | | | |
| 15 | Q307031 | Arandela junta Ø24xØ14x3 | | 1 | 1 | 1 | 1 | | | | |
| 16 | Z230902 | Pasamuros detergente | | 1 | 1 | 1 | 1 | | | | |
| 17 | - | Garrafa detergente | | - | - | - | - | | | | |
| 18 | Z601153 | Filtro aspiracion | | 1 | 1 | 1 | 1 | | | | |
| 19 | Z701152 | Peso filtro | | 1 | 1 | 1 | 1 | | | | |
| | | | | | | | | | | | |
| | | | | | | | | | | | |
| | | | | | | | | | | | |
| | | | | | | | | | | | |

| MOD. | | LAVAVAJILLAS FRONTAL | | ZONA | ACCESORIOS PARA LAVAVAJILLAS | | | | PLANO | C-1382 | |
|------|---------|--|-------|-------|------------------------------|-------|--------|--|-------|--------|-------|
| ITEM | CODIGO | DENOMINACION | TEXTO | FI-48 | FI-48B | FI-64 | FI-64B | | | | NOTAS |
| | | 1210305191 KIT DESCALCIFICADOR 8l. | | | | | | | | | |
| 20 | - | Manguera de maquina | | - | - | - | - | | | | |
| 21 | Z602121 | Manguera entrada de agua | | 1 | 1 | 1 | 1 | | | | |
| 22 | Z209515 | Tuerca reduccion 3/4" - 1/2" | | 2 | 2 | 2 | 2 | | | | |
| 23 | Z209516 | Tuerca reduccion 1/2" - 3/8" | | 2 | 2 | 2 | 2 | | | | |
| 24 | Z209511 | Descalcificador 8 l. | | 1 | 1 | 1 | 1 | | | | |
| 25 | Q307031 | Junta manguera entrada agua | | 2 | 2 | 2 | 2 | | | | |
| | | 1210305186 KIT DESCALCIFICADOR 12l. | | | | | | | | | |
| 20 | - | Manguera de maquina | | - | - | - | - | | | | |
| 21 | Z602121 | Manguera entrada de agua | | 1 | 1 | 1 | 1 | | | | |
| 22 | Z209515 | Tuerca reduccion 3/4" - 1/2" | | 2 | 2 | 2 | 2 | | | | |
| 23 | Z209516 | Tuerca reduccion 1/2" - 3/8" | | 2 | 2 | 2 | 2 | | | | |
| 24 | Z209507 | Descalcificador 12 l. | | 1 | 1 | 1 | 1 | | | | |
| 25 | Q307031 | Junta manguera entrada agua | | 2 | 2 | 2 | 2 | | | | |
| | | 1210305192 KIT DESCALCIFICADOR 16l. | | | | | | | | | |
| 20 | - | Manguera de maquina | | - | - | - | - | | | | |
| 21 | Z602121 | Manguera entrada de agua | | 1 | 1 | 1 | 1 | | | | |
| 22 | Z209515 | Tuerca reduccion 3/4" - 1/2" | | 2 | 2 | 2 | 2 | | | | |
| 23 | Z209516 | Tuerca reduccion 1/2" - 3/8" | | 2 | 2 | 2 | 2 | | | | |
| 24 | Z209512 | Descalcificador 16 l. | | 1 | 1 | 1 | 1 | | | | |
| 25 | Q307031 | Junta manguera entrada agua | | 2 | 2 | 2 | 2 | | | | |
| | | | | | | | | | | | |
| | | | | | | | | | | | |
| | | | | | | | | | | | |
| | | | | | | | | | | | |
| | | | | | | | | | | | |

LAVAVAJILLAS FRONTAL

ZONA

PIEZAS ESPECIFICAS (AUSTRALIA)
(220/240 V. , 50 Hz.)

PLANO

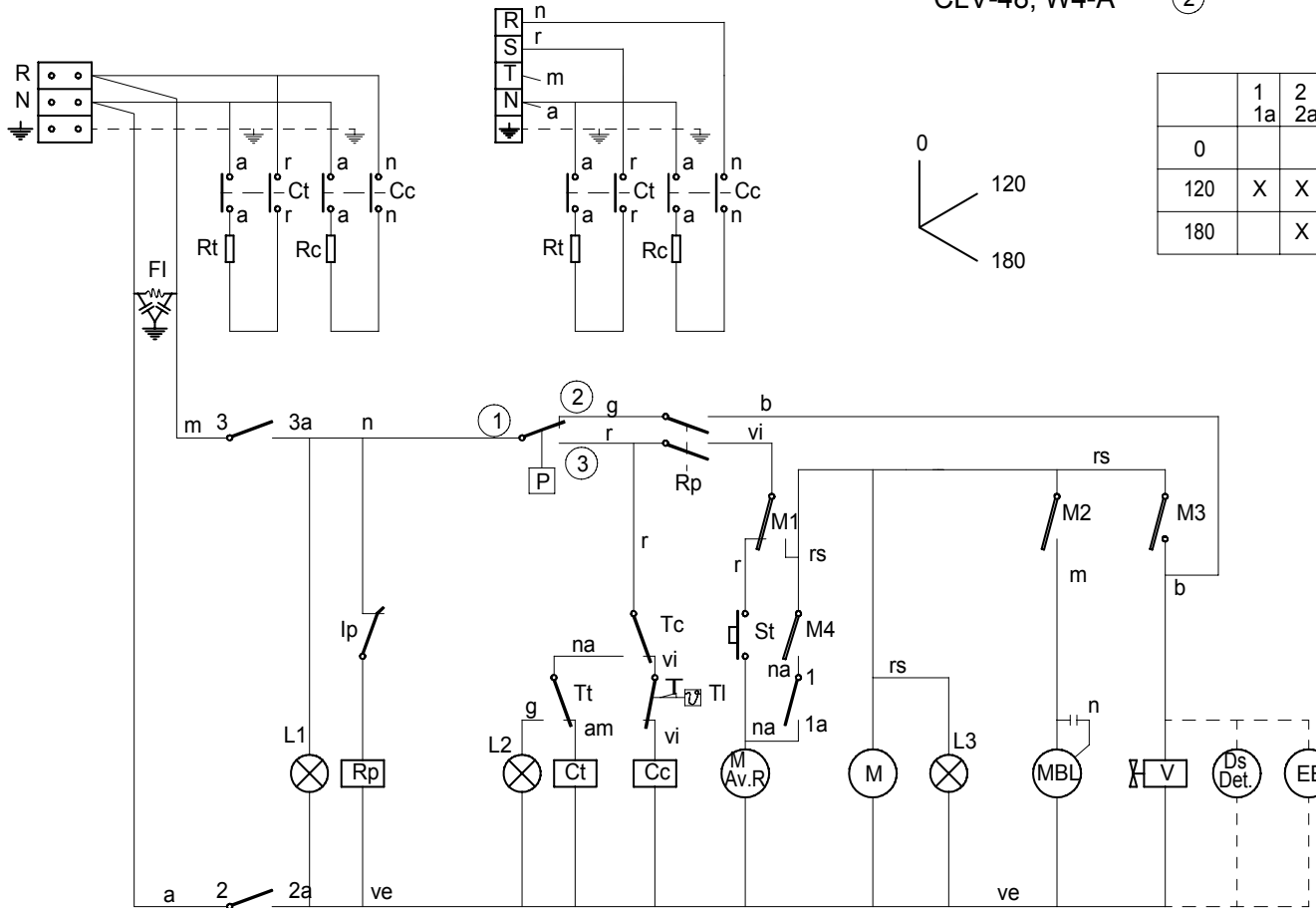
| ITEM | CODIGO | DENOMINACION | TEXTO | FI-48B-A | FI-48B | FI-64B-A | FI-64B | | | | | | | NOTAS |
|------|---------|-----------------------------------|-------|----------|--------|----------|--------|--|--|--|--|--|--|------------------|
| | Z229001 | Embellecedor adhesivo | | 1 | - | | | | | | | | | |
| | Z259001 | Embellecedor adhesivo | | - | 1 | | | | | | | | | |
| | Z213002 | Programador ciclo | | 1 | - | | | | | | | | | |
| | Z243001 | Programador ciclo | | - | 1 | | | | | | | | | |
| | Z229011 | Cableado termo-stop | | 1 | 1 | | | | | | | | | |
| | Z229016 | Esquema electrico de montaje | | 1 | - | | | | | | | | | Plano HC-17268-3 |
| | Z258406 | Esquema electrico de montaje | | - | 1 | | | | | | | | | Plano HC-17220-3 |
| | Z229010 | Esquema electrico adhesivo | | 1 | - | | | | | | | | | Plano HC-16505-1 |
| | Z258402 | Esquema electrico adhesivo | | - | 1 | | | | | | | | | Plano HC-17119-3 |
| | Z231105 | Valvula antirretorno | | 1 | 1 | | | | | | | | | |
| | Q307029 | Arandela junta Ø31xØ26,5x2 | | 1 | 1 | | | | | | | | | |
| | Q223016 | Tuerca roscada PG-21 | | 1 | 1 | | | | | | | | | |
| | Z263001 | Indicador analogico | | 2 | 2 | | | | | | | | | |
| | Z263002 | Vaina para sonda (tanque) | | 1 | 1 | | | | | | | | | |
| | Q306024 | Arandela junta Ø18xØ12,5x1,5 | | 1 | 1 | | | | | | | | | |
| | Q162070 | Tuerca exagonal M-12 | | 1 | 1 | | | | | | | | | |
| | Z683087 | Contactador 3TF20 01-3AL2, 230 V. | | 1 | 1 | | | | | | | | | |
| | Q013023 | Tornillo exagonal M-4x20 | | 4 | 4 | | | | | | | | | |
| | 3676900 | Tubo goma negra Ø17xØ10x1830 | | 1 | - | | | | | | | | | |
| | 3676900 | Tubo goma negra Ø17xØ10x2160 | | - | 1 | | | | | | | | | |
| | Z658609 | Palet | | 1 | 1 | | | | | | | | | |
| | | | | | | | | | | | | | | |
| | | | | | | | | | | | | | | |
| | | | | | | | | | | | | | | |
| | | | | | | | | | | | | | | |
| | | | | | | | | | | | | | | |
| | | | | | | | | | | | | | | |
| | | | | | | | | | | | | | | |
| | | | | | | | | | | | | | | |
| | | | | | | | | | | | | | | |

1N ~ 240V.

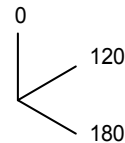
3N ~ 380 - 415 V.

Mod.: FI-48; A480; KM-48; FI-48 T

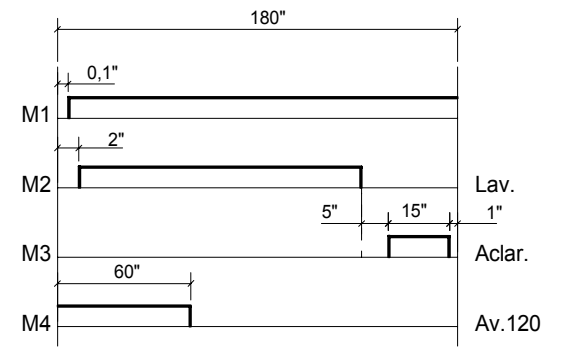
CLV-48; W4-A



| | | | |
|-----|----|----|----|
| | 1 | 2 | 3 |
| | 1a | 2a | 3a |
| 0 | | | |
| 120 | X | X | X |
| 180 | | X | X |



①



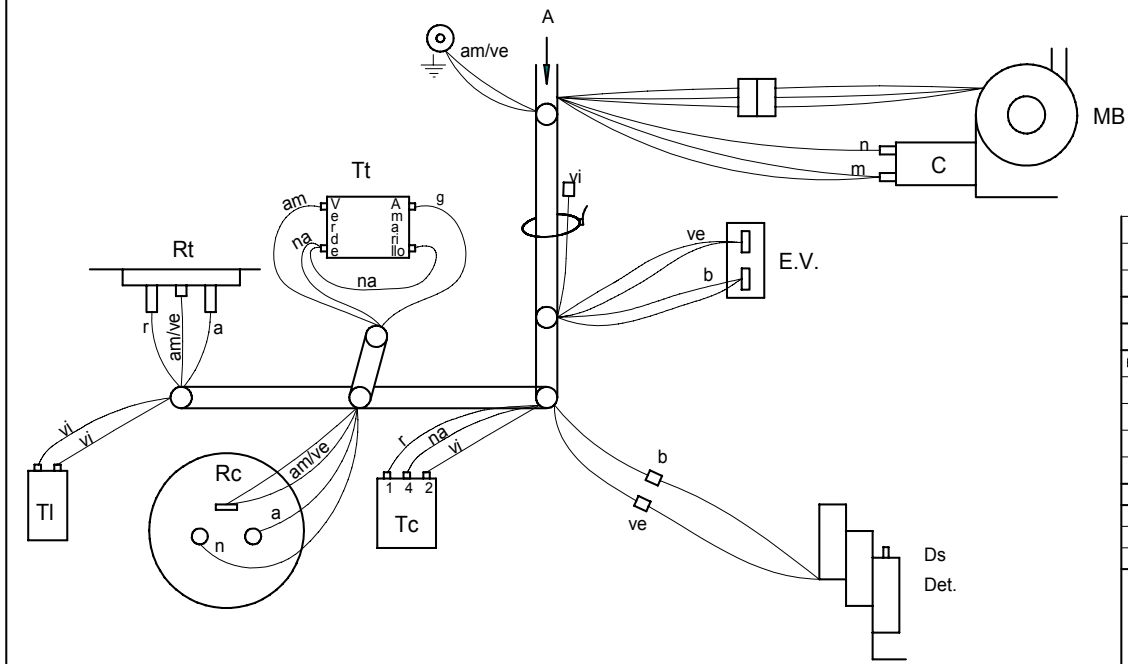
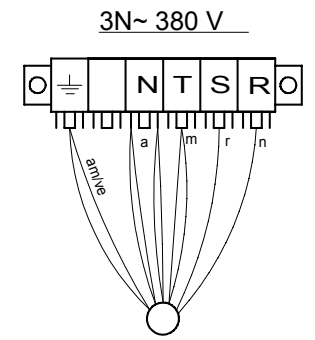
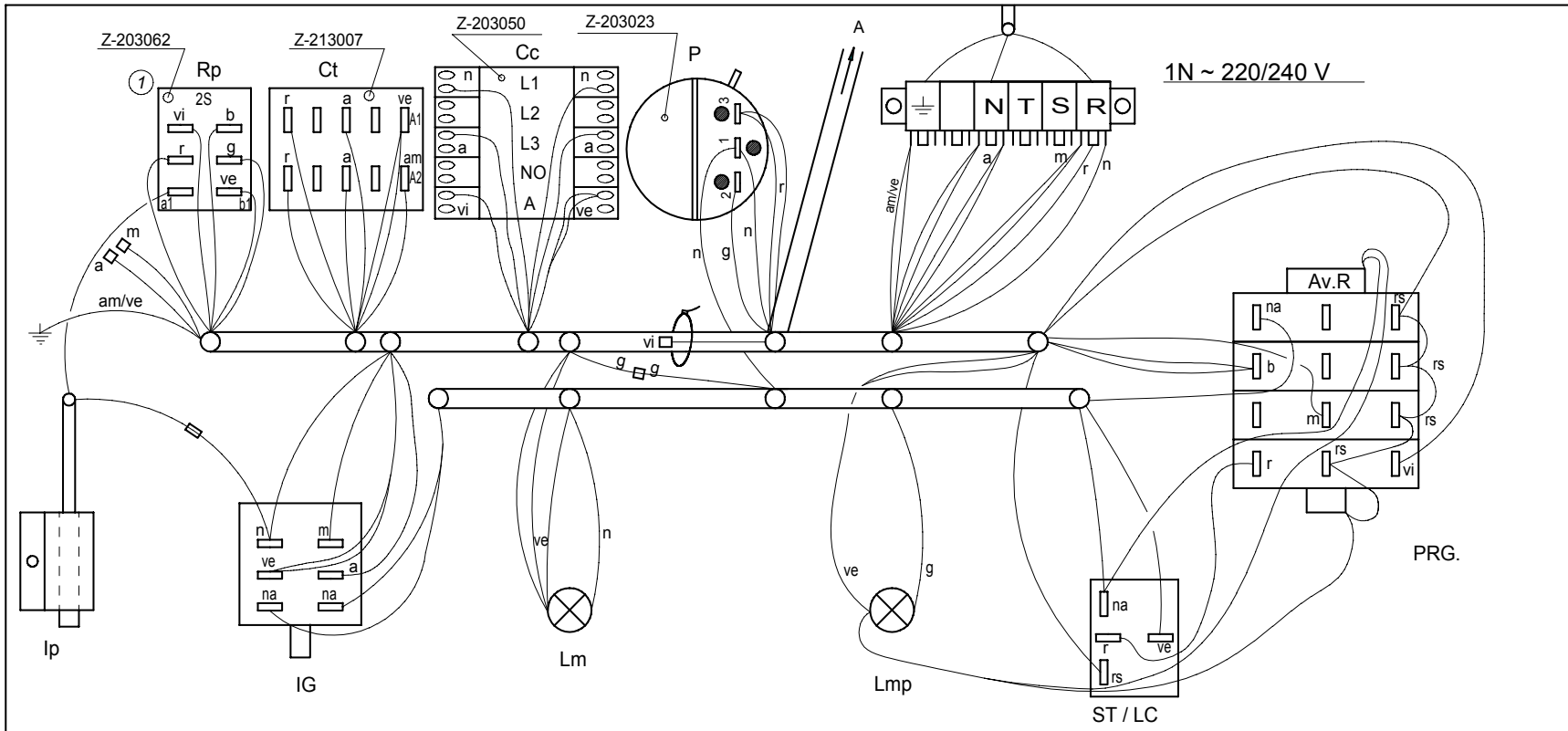
CODIGO DE COLORES:

- r = rojo-red-rouge
- m = marron-brown-marron
- g = gris-grey-gris
- n = negro-black-noir
- a = azul-blue-bleu
- b = blanco-white-blanc
- vi = violeta-violette-violet
- am = amarillo-yellow-jaune
- na = naranja-orange-orange
- rs = rosa-rose-pink
- ve = verde-green-vert
- am/ve = amarillo verde-yellow green-jaune vert

- I_G = Interruptor General
- L1 = Lampara de marcha
- Ip = Micro de puerta
- Rp = Relé puerta
- P = Presostato
- Tc = Termostato calderin
- Tt = Termostato tanque
- TI = Termostato limitador de calderin
- Cc = Contactor calderin
- Ct = Contactor tanque
- L2 = Lampara máquina preparada
- Rc = Resistencia calderin
- St = Pulsador de marcha
- FI = Filtro de interferencias

- Rt = Resistencia tanque
- M.Av.R = Motor programador Avance Rápido
- M = Motor programador
- M1 = Micro programador marcha
- M2 = Micro programador lavado
- M3 = Micro programador aclarado
- M4 = Micro programador Avance 120"
- L3 = Lámpara de ciclo
- MBL = Motobomba lavado
- C = Condensador de motobomba
- V = Válvula de llenado y aclarado
- Ds Det = Dosificador de detergente (opcional)
- EB = Electrobomba de presión (Opcional)

| | | | | |
|--|----------------------------------|----------------|----------|------------------------|
| Esquema teorico adhesivo | | Papel adhesivo | Z-213012 | |
| Nº | Pieza | Cant. | Material | Nº Clasificacion |
| Nº | Modificacion | Propuesta de | | Fecha |
| ① | Introducir denominación FI-48 T | Palacio | | 21-4-98 |
| ② | Introducir modelos CORECO Y W4-A | Palacio | | 28-1-00 |
| | | | | Tolerancias generales |
| | | | | < 5 ± |
| | | | | 5 - 25 ± |
| | | | | 25 - 50 ± |
| | | | | 50 - 100 ± |
| | | | | > 100 ± |
| | | | | ∞ ± |
| Firma | | Fecha | | |
| Dibujado | | S. N. | | 27-9-95 |
| Proyectado | | | | |
| Comprobado | | | | |
| Escala | | | | |
| FAGOR | | | | Mecanizado superficial |
| Fagor Industrial, Koop, Elk, Mugatua | | | | |
| LAVAVAJILLAS | | | | Plano numero |
| Plano hau ez daitelke erabili ez berrizta gure baimenitiz gabe | | | | HC-16499 -2 |
| | | | | Sustituye al Nº |
| | | | | Sustituido por |

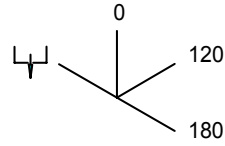
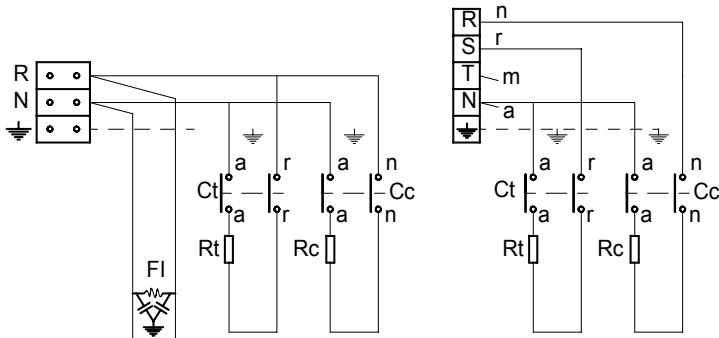


| | | | |
|---|--------------|------------------|--------------------------------------|
| Esquema de montaje FI-48 | | Z-213050 | |
| Nº Pieza | Material | Nº Clasificación | Acabado |
| Nº Modificación | Propuesta de | Fecha | Tolerancias generales |
| ① Sustituir relé Z-203018 por Z-203062, cambiar colores en Rp | J.M.P.A. | 13-05-02 | <5± 5-25± 25-50± |
| | | | 50-100± >100± ∞± |
| Dibujado | Firma | Fecha | Mecanizado superficial |
| Proyectado | Santi Caro | 05-07-00 | |
| Comprobado | | | FAGOR |
| Escala | | | Fagor Industrial, Koop, Elk, Mugatua |
| LAVAVAJILLAS | | | Plano numero |
| | | | HC-17265-1 |
| Plano hau ez daitake erabil ez bezitza gure baimenitz gabe | | | Sustituye al Nº |
| | | | HC-16214 |
| | | | Sustituido por |

1N ~ 240V.

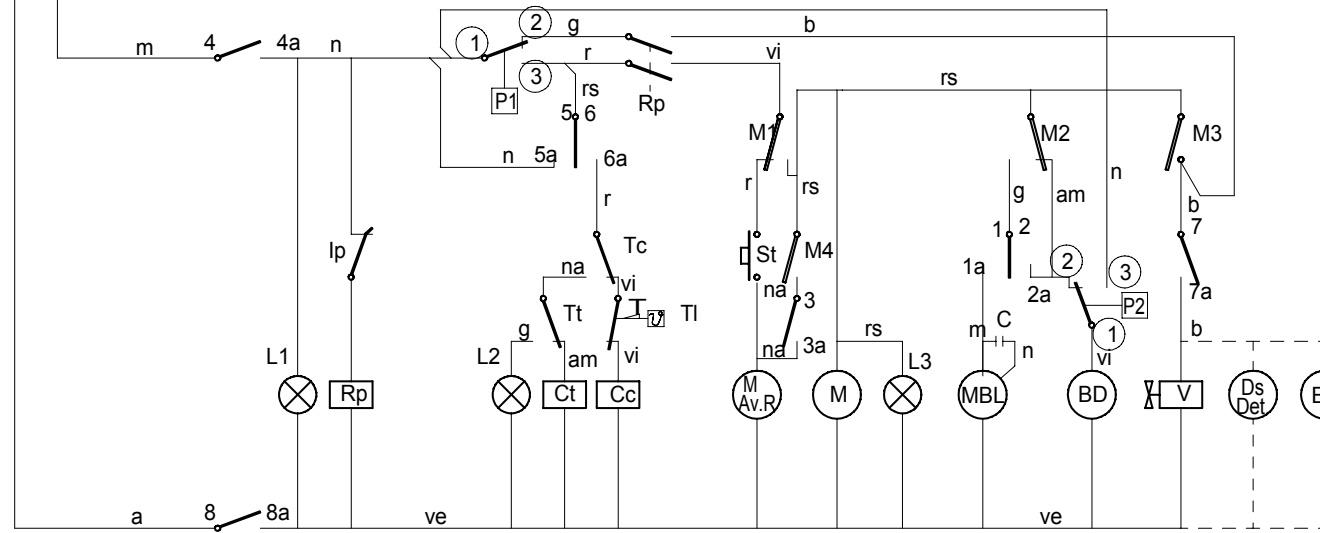
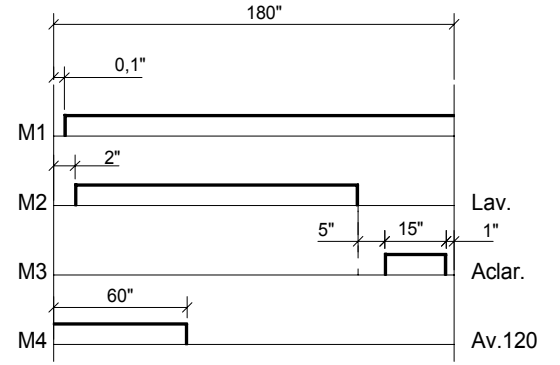
3N ~ 380 - 415 V.

Mod.: FI-48 B; A-480 B; CLV-48-B



| | | | | | | | |
|-----|-----|----|----|-------|----|----|----|
| | 1_2 | 3 | 4 | 5_6 | 7 | 8 | |
| | 1a | 2a | 3a | 4a-5a | 6a | 7a | 8a |
| 0 | | X | | X | X | | X |
| 120 | X | | X | X | | X | X |
| 180 | X | | X | X | | X | X |

IG



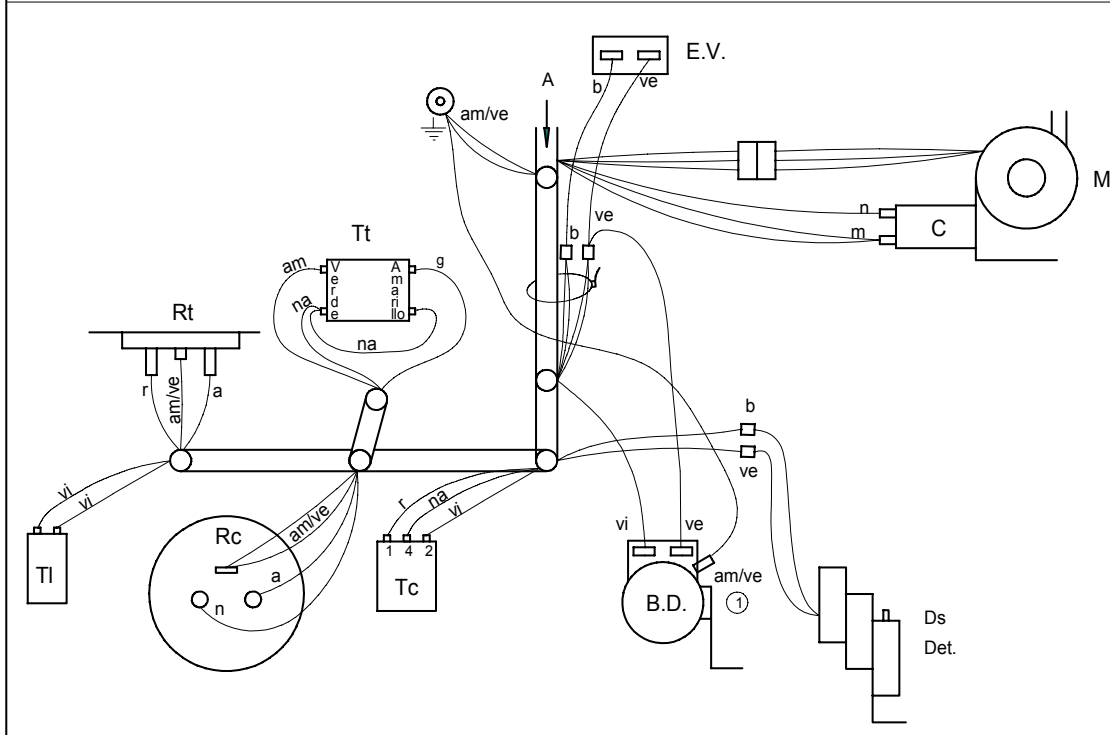
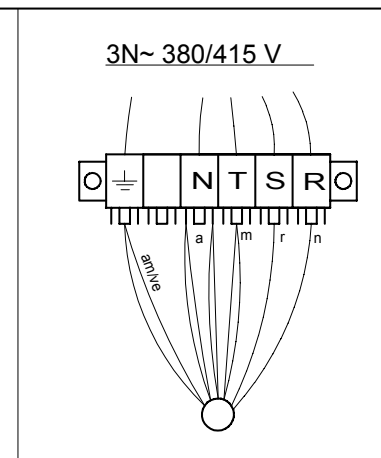
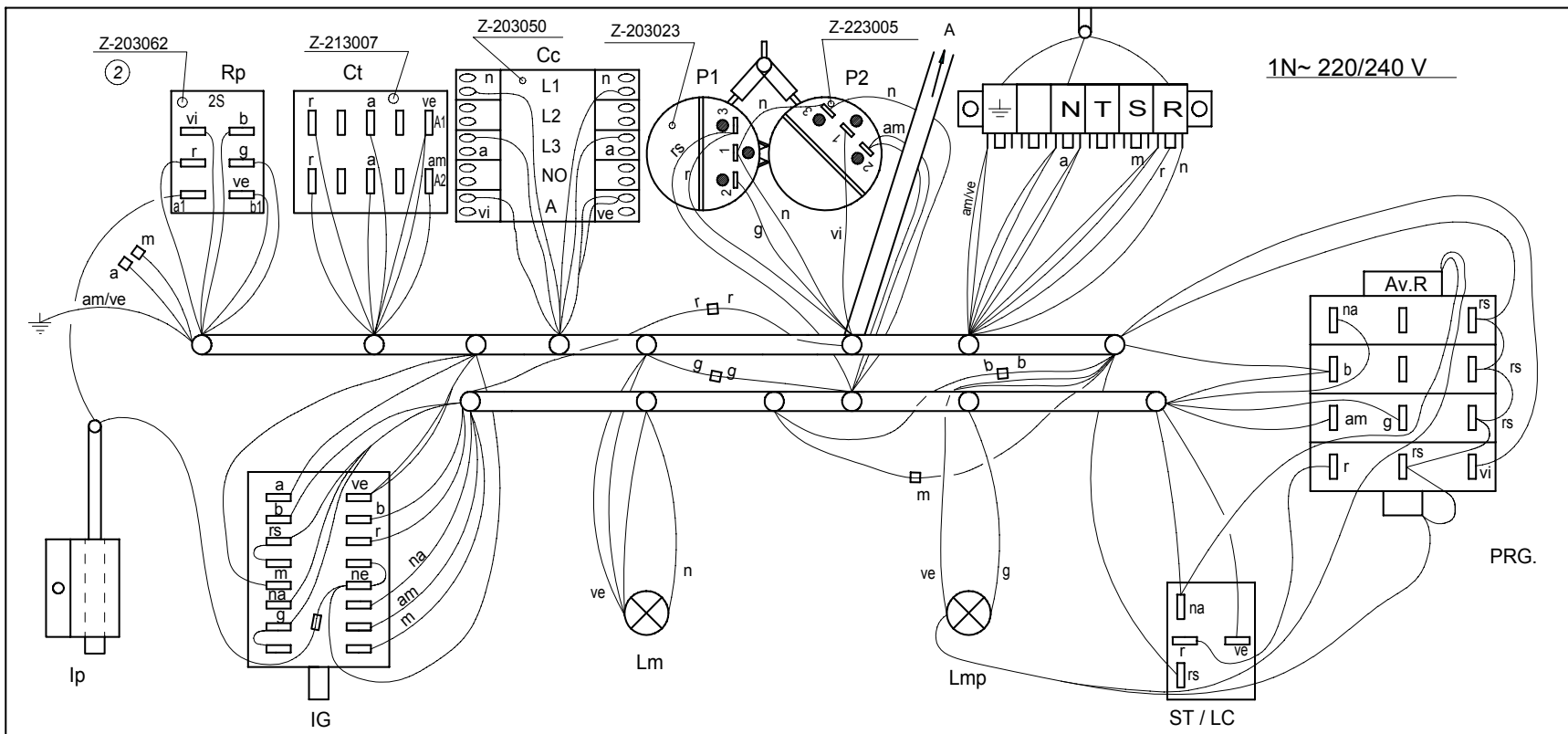
CODIGO DE COLORES:

- r = rojo-red-rouge
- m = marron-brown-marron
- g = gris-grey-gris
- n = negro-black-noir
- a = azul-blue-bleu
- b = blanco-white-blanc
- vi = violeta-violette-violet
- am = amarillo-yellow-jaune
- na = naranja-orange-orange
- rs = rosa-rose-pink
- ve = verde-green-vert
- am/ve = amarillo verde-yellow green-jaune vert

- I_G = Interruptor General
- L1 = Lampara de marcha
- Ip = Micro de puerta
- Rp = Relé puerta
- P1 = Presostato
- Tc = Termostato calderin
- Tt = Termostato tanque
- TI = Termostato limitador de calderin
- Cc = Contactor calderin
- Ct = Contactor tanque
- L2 = Lampara máquina preparada
- Rc = Resistencia calderin
- St = Pulsador de marcha
- FI = Filtro de interferencias
- BD = Bomba de Desagüe

- Rt = Resistencia tanque
- M.Av.R = Motor programador Avance Rápido
- M = Motor programador
- M1 = Micro programador marcha
- M2 = Micro programador lavado
- M3 = Micro programador aclarado
- M4 = Micro programador Avance 120"
- L3 = Lámpara de ciclo
- MBL = Motobomba lavado
- C = Condensador de motobomba
- V = Válvula de llenado y aclarado
- Ds Det = Dosificador de detergente (opcional)
- P2 = Presostato de seguridad
- EB = Electrobomba de presión (Opcional)

| | | | | |
|---|--------------------------|----------------|------------------------------------|-----------------------|
| Esquema teorico adhesivo | | Papel adhesivo | Z-223012 | |
| Nº | Pieza | Cant. | Material | Nº Clasificacion |
| Nº | Modificacion | Propuesta de | | Fecha |
| 1 | Introducir modelo CORECO | Palacio | | 28-1-00 |
| | | | | Tolerancias generales |
| | | | | <5± |
| | | | | 5-25± |
| | | | | 25-50± |
| | | | | 50-100± |
| | | | | > 100± |
| | | | | <∞± |
| Dibujado | Firma | Fecha | Mecanizado superficial | |
| Proyectado | S. N. | 27-9-95 | FAGOR | |
| Comprobado | | | Fagor Industrial,Koop.Elk, Mugatua | |
| Escala | | | LAVAVAJILLAS | |
| Plano hau ez dateke erabili ez berrizia gure baimenitz gabe | | | | Plano numero |
| | | | | HC-16500 -1 |
| | | | | Sustituye al Nº |
| | | | | Sustituido por |



| | | | |
|---|--------------|----------|--------------------------------------|
| Esquema de montaje FI-48b | | Z-223050 | |
| Nº Pieza | Cant. | Material | Nº Clasificación |
| Nº Modificación | Propuesta de | | Fecha |
| ① Añadir cable tierra en bomba desague | Santi | | 4-6-2001 |
| ② Sustituir relé Z203018 por Z203062, cambiar colores en Rp | J.M.P.A. | | 02-05-13 |
| | | | Tolerancias generales |
| | | | <5± |
| | | | 5-25± |
| | | | 25-50± |
| | | | 50-100± |
| | | | >100± |
| | | | ∞± |
| Dibujado | Firma | Fecha | Mecanizado superficial |
| Proyectado | Santi Caro | 07-07-00 | |
| Comprobado | | | |
| Escala | FAGOR | | |
| | | | Fagor Industrial, Koop, Elk, Mugatua |
| LAVAVAJILLAS | | | Plano numero |
| | | | HC-17266-2 |
| | | | Sustituye al Nº HC-16215 |
| | | | Sustituido por |

Plano hau ez daitake erabili ez berriz gure baimenitaz gabe

3N ~ 380/415V.

3 ~ 220V.

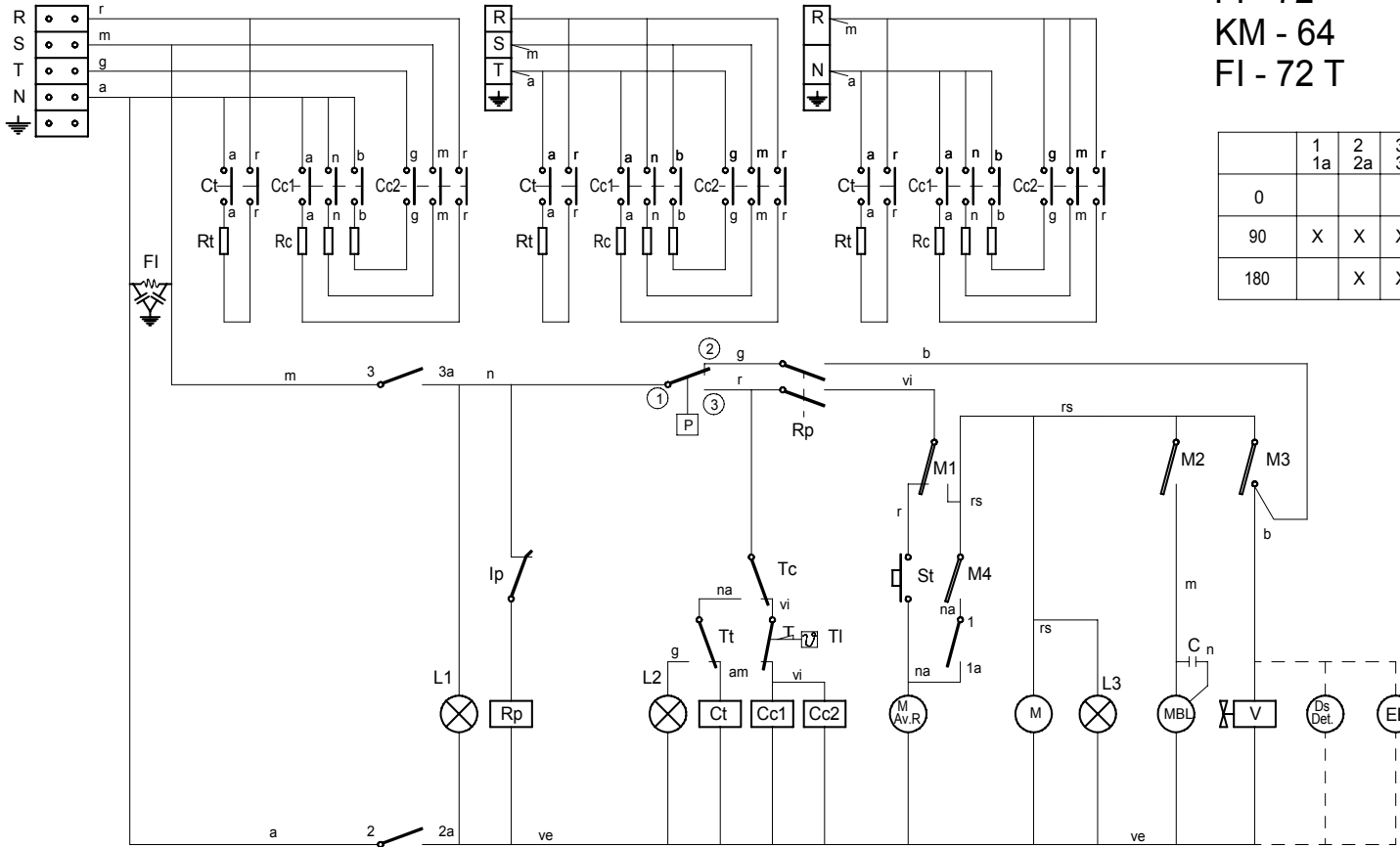
1N ~ 220 V./ 1N ~ 240V.

Mod.: FI - 64

FI - 72

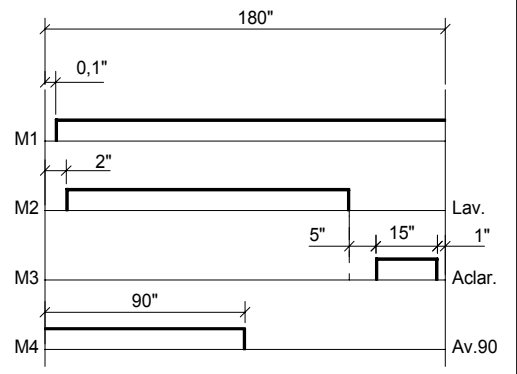
KM - 64

FI - 72 T



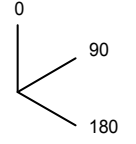
| | | | |
|-----|----|----|----|
| | 1 | 2 | 3 |
| | 1a | 2a | 3a |
| 0 | | | |
| 90 | X | X | X |
| 180 | | X | X |

IG



CODIGO DE COLORES:

- r = rojo-red-rouge
- m = marron-brown-marron
- g = gris-grey-gris
- n = negro-black-noir
- a = azul-blue-bleu
- b = blanco-white-blanc
- vi = violeta-violette-violet
- am = amarillo-yellow-jaune
- na = naranja-orange-orange
- rs = rosa-rose-pink
- ve = verde-green-vert
- am/ve = amarillo verde-yellow green-jaune vert



NOTAS.-

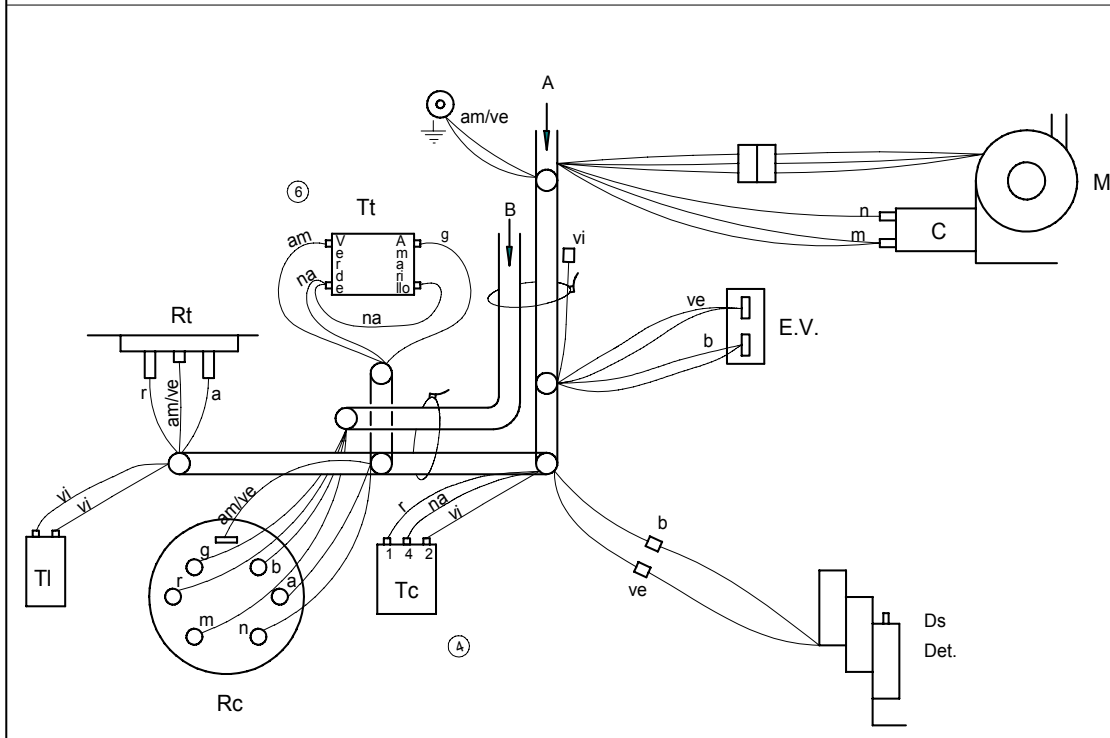
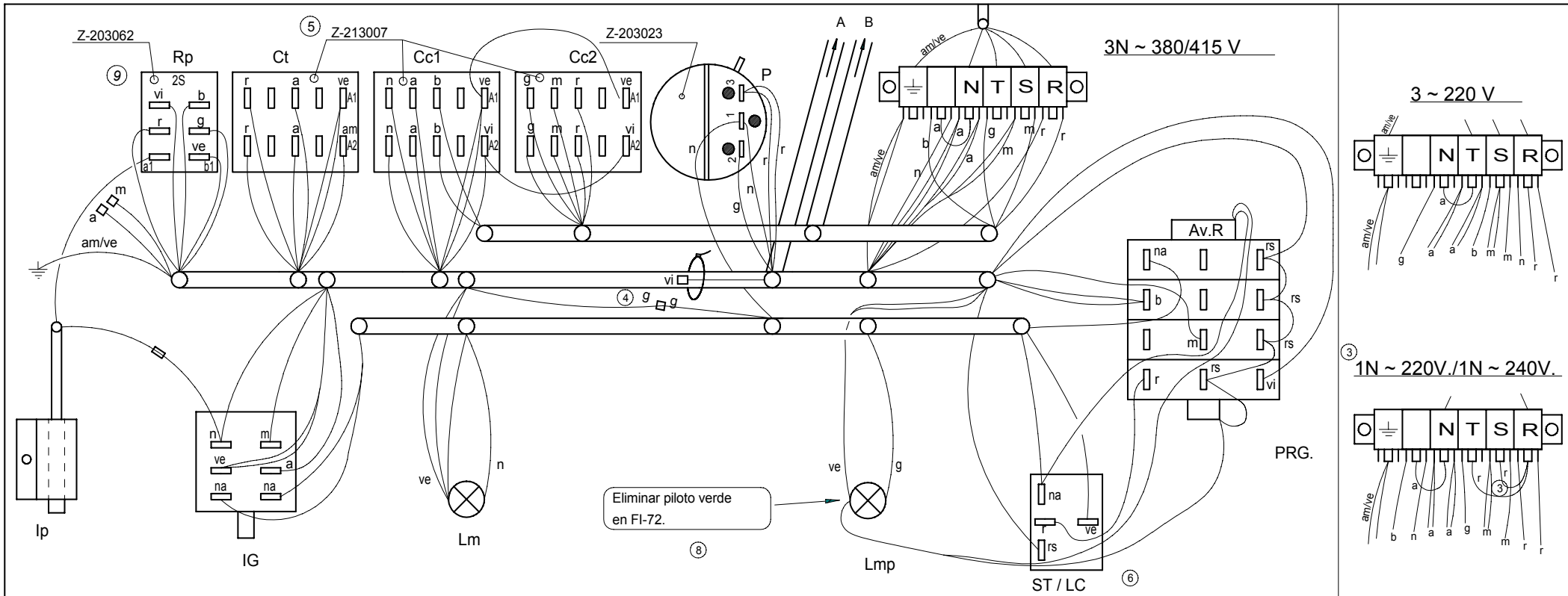
- Fondo del esquema: Color Blanco
- Grabaciones: Color Negro
- Dimensiones: 235x120
- N° Clasificación: Parte inferior dcha.

- I_G = Interruptor General
- L1 = Lámpara de marcha
- Ip = Micro de puerta
- Rp = Relé puerta
- P = Presostato
- Tc = Termostato calderin
- Tt = Termostato tanque
- TI = Termostato limitador de calderin
- Cc1, Cc2 = Contactor calderin
- Ct = Contactor tanque
- L2 = Lámpara máquina preparada
- Rc = Resistencia calderin
- St = Pulsador de marcha
- FI = Filtro de interferencias

- Rt = Resistencia tanque
- M.Av.R = Motor programador Avance Rápido
- M = Motor programador
- M1 = Micro programador marcha
- M2 = Micro programador lavado
- M3 = Micro programador aclarado
- M4 = Micro programador Avance 90"
- L3 = Lámpara de ciclo
- MBL = Motobomba lavado
- C = Condensador de motobomba
- V = Válvula de llenado y aclarado
- Ds Det = Dosificador de detergente (opcional)
- EB = Electrobomba de presión (opcional)

| | | | | |
|--|---------------------------------|----------------|----------|------------------------|
| Esquema teórico adhesivo | | Papel adhesivo | Z-243009 | |
| Nº | Pieza | Cant. | Material | Nº Clasificación |
| Nº | Modificación | Propuesta de | | Fecha |
| ① | Introducir denominación FI-72 T | Palacio | | 21-4-98 |
| | | | | Tolerancias generales |
| | | | | <5± |
| | | | | 5-25± |
| | | | | 25-50± |
| | | | | 50-100± |
| | | | | >100± |
| | | | | ∞± |
| Dibujado | | Firma | Fecha | Mecanizado superficial |
| Proyectado | | S. N. | 28-9-95 | |
| Comprobado | | | | |
| Escala | | | | |
| <p style="text-align: center;">LAVAVAJILLAS</p> | | | | Plano numero |
| | | | | HC-16501 -1 |
| | | | | Sustituye al Nº |
| | | | | Sustituido por |

Plano hau ez dateke erabili ez berritza gure baimenitz gabe



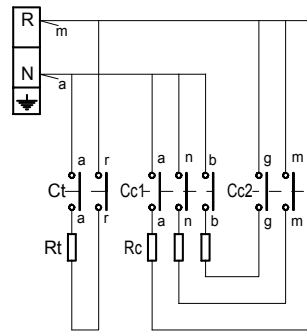
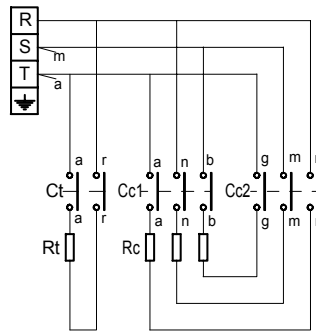
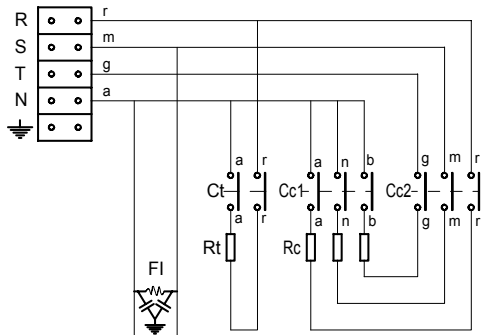
| | | | | | |
|---|--|--------------|--------------------------------------|-----------------------|------------------------|
| Esquema de montaje FI-64; FI-72 | | ⑦ | | Z-243045 | |
| Nº | Pieza | Nº | Clasificación | Acabado | |
| Nº | Modificación | Propuesta de | Fecha | Tolerancias generales | |
| ④ | Cambiar de color Marrón a Gris | Maillo | 28-9-95 | <5± | 50- 100± : |
| ⑤ | Sustituir 1 rele Z-203018 por Z-213007 | Albes | 30-11-95 | 5-25± : | > 100± |
| ⑥ | Sustituir Termostato tanque y ST/LC | Maillo | 19-5-97 | 25- 50± : | ∞± |
| ⑦ | Introducir N° Clasificación | Palacio | 10-7-97 | | |
| ⑧ | Introducir Nota eliminación piloto verde | Palacio | 02-01-01 | | |
| ⑨ | Sustituir Z-203018 por Z-203062, cambiar colores en Rp | J.M.P.A. | 02-05-13 | | |
| Dibujado | Firma | Fecha | FAGOR | | Mecanizado superficial |
| Proyectado | S. N. | 6-7-93 | Fagor Industrial, Koop, Elk, Mugatua | | |
| Comprobado | | | | | |
| Escala | | | | | |
| LAVAVAJILLAS | | | | | Plano numero |
| | | | | | HC-16217-9 |
| | | | | | Sustituye al N° |
| | | | | | Sustituido por |
| Plano hau ez daiteke erabili ez bezitza gure baimenitz gabe | | | | | |

3N ~ 380/415V.

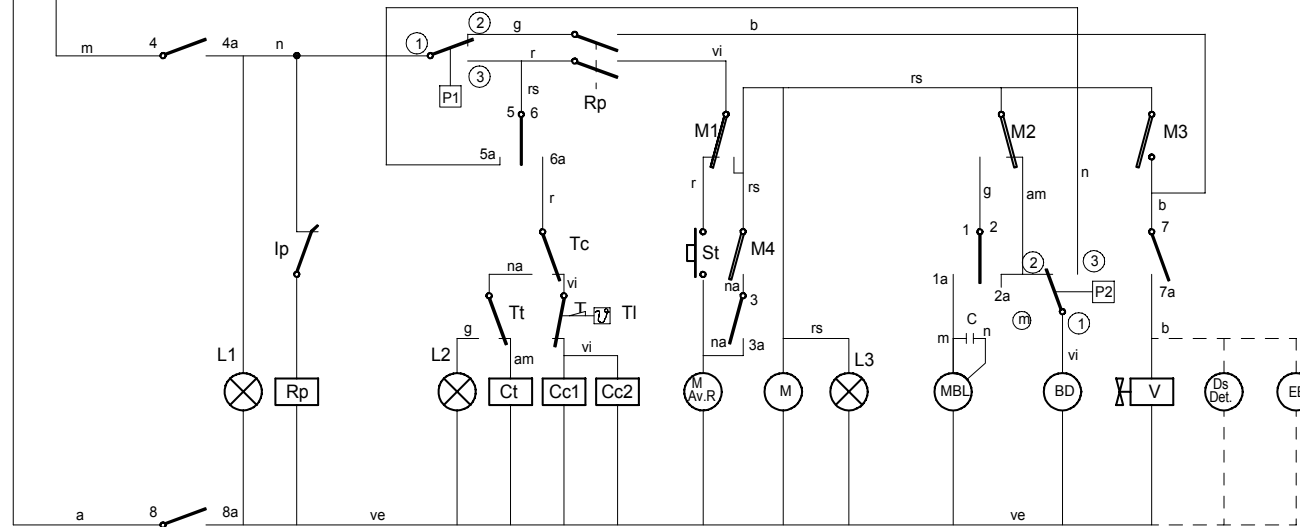
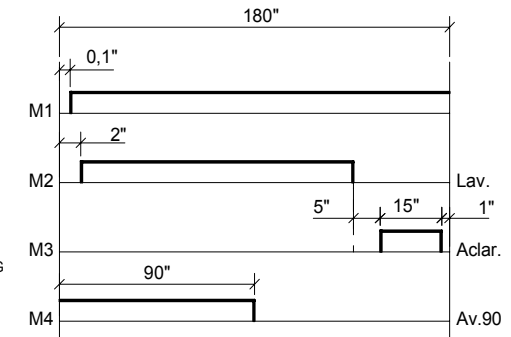
3 ~ 220V.

1N ~ 220 V./ 1N ~ 240V.

FI - 64 B

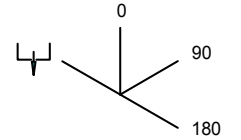


| | | | | | | | | |
|-----|--------|--------|--------|--------|--------|--------|--------|--------|
| | 1 - 1a | 2 - 2a | 3 - 3a | 4 - 4a | 5 - 5a | 6 - 6a | 7 - 7a | 8 - 8a |
| | | X | X | X | | | | X |
| 0 | | | | | | | | |
| 90 | X | | X | X | | X | X | X |
| 180 | X | | X | | | X | X | X |



CODIGO DE COLORES:

- r = rojo-red-rouge
- m = marron-brown-marron
- g = gris-grey-gris
- n = negro-black-noir
- a = azul-blue-bleu
- b = blanco-white-blanc
- vi = violeta-violette-violet
- am = amarillo-yellow-jaune
- na = naranja-orange-orange
- rs = rosa-rose-pink
- ve = verde-green-vert
- am/ve = amarillo verde-yellow green-jaune vert



NOTAS.-

- Fondo del esquema: Color Blanco
- Grabaciones: Color Negro
- Dimensiones: 235x120
- N° Clasificación: Parte inferior dcha.

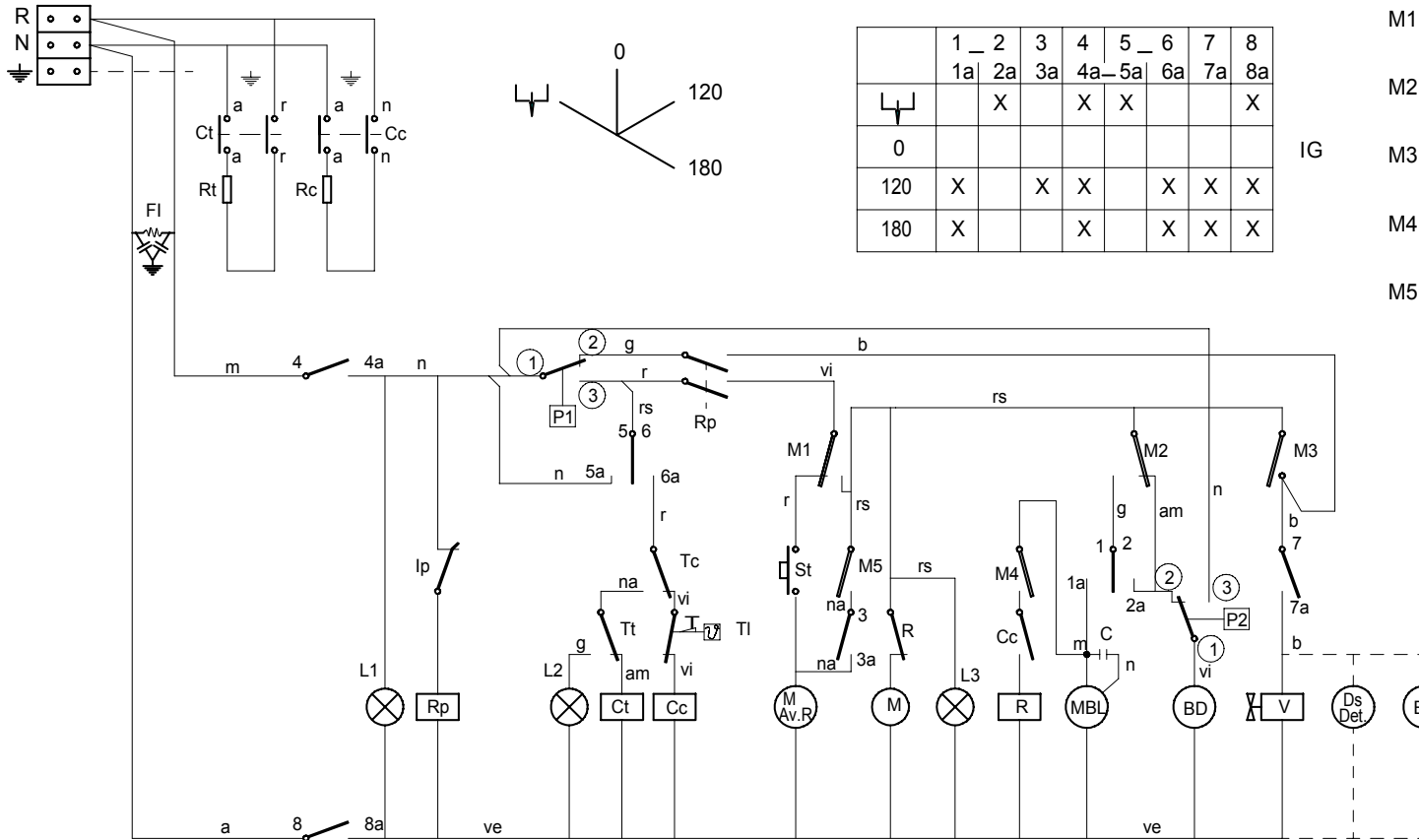
I_G = Interruptor General
 L1 = Lampara de marcha
 Ip = Micro de puerta
 Rp = Relé puerta
 P1 = Presostato
 Tc = Termostato calderin
 Tt = Termostato tanque
 Tl = Termostato limitador de calderin
 Cc1, Cc2 = Contactor calderin
 Ct = Contactor tanque
 L2 = Lampara máquina preparada
 Rc = Resistencia calderin
 St = Pulsador de marcha
 FI = Filtro de interferencias
 BD = Bomba de Desagüe

Rt = Resistencia tanque
 M.Av.R = Motor programador Avance Rápido
 M = Motor programador
 M1 = Micro programador marcha
 M2 = Micro programador lavado
 M3 = Micro programador aclarado
 M4 = Micro programador Avance 90"
 L3 = Lámpara de ciclo
 MBL = Motobomba lavado
 C = Condensador de motobomba
 V = Válvula de llenado y aclarado
 Ds Det = Dosificador de detergente (opcional)
 P2 = Presostato de seguridad
 EB = Electrobomba de presión (Opcional)

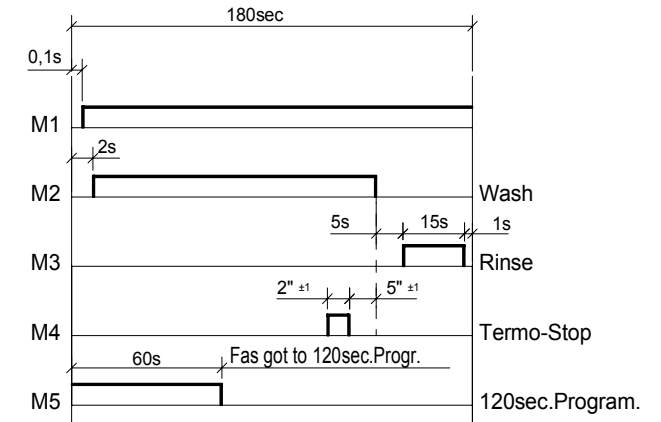
| | | | | | | |
|---|--------------|--------------------------------------|----------|------------------------|---------------------------------|--|
| Esquema teorico adhesivo | | Papel adhesivo | | Z-253009 | | |
| Nº | Pieza | Cant. | Material | Nº Clasificacion | Acabado | |
| Nº | Modificacion | Propuesta de | | Fecha | Tolerancias generales | |
| | | | | <5± | 50-100± : | |
| | | | | 5-25± : | > 100± | |
| | | | | 25-50± : | ∞± | |
| Dibujado | | Firma | Fecha | Mecanizado superficial | | |
| Proyectado | | S. N. | 28-9-95 | | | |
| Comprobado | | Fagor Industrial, Koop, Elk, Mugatua | | | | |
| Escala | | LAVAVAJILLAS | | | Plano numero HC-16502 | |
| Plano hau ez dateke erabili ez berrizta gure baimenitz gabe | | | | | | |
| Sustituye al N° Sustituido por | | | | | | |

208-220-240 V. 1Ph

Mods.: FI-48 W ; MF-48



| | | | | | | | |
|-----|-----|----|----|-------|----|----|----|
| | 1_2 | 3 | 4 | 5_6 | 7 | 8 | |
| | 1a | 2a | 3a | 4a-5a | 6a | 7a | 8a |
| 0 | | X | | X | X | | X |
| 120 | X | | X | X | | X | X |
| 180 | X | | X | X | X | X | X |



Colours code-Code de couleurs-Codigo de colores:

- r = red-rouge-rojo
- m = brown-marron-marron
- g = grey-gris-gris
- n = black-noir-negro
- a = blue-bleu-azul
- b = white-blanc-blanco
- vi = violette-violet-violeta
- am = yellow-jaune-amarillo
- na = orange-orange-naranja
- rs = rose-pink-rosa
- ve = green-vert-verte
- am/ve = yellow green-jaune vert-amar./verde

I = General switch
 L1 = On lamp
 Ip = Door micro
 Rp = Door relay
 P1 = Pressure switch
 Tc = Drum thermostat
 Tt = Tank thermostat
 TI = Drum limiter thermostat
 Cc = Drum contactor
 Ct = Tank contactor
 L2 = Machine ready light
 Rc = Drum heating element
 St = Start button
 FI = Interferences filter
 BD = Drain pump

Interrupteur general
 Témoin de marche
 Micro de porte
 Relais de porte
 Presostat
 Thermostat du surchauffeur
 Thermostat de cuve
 Thermostat limiteur du surchauffeur
 Contacteur du surchauffeur
 Contacteur de cuve
 Témoin de marchine préparée
 Resistance du surchauffeur
 Bouton de marche
 Filtre d'interferences
 Pompe de vidange

Interruptor General
 Lampara de marcha
 Micro de puerta
 Relé puerta
 Presostato
 Termostato calderin
 Termostato tanque
 Termostato limitador de calderin
 Contactor calderin
 Contactor tanque
 Lampara máquina preparada
 Resistencia calderin
 Pulsador de marcha
 Filtro de interferencias
 Bomba de Desagüe

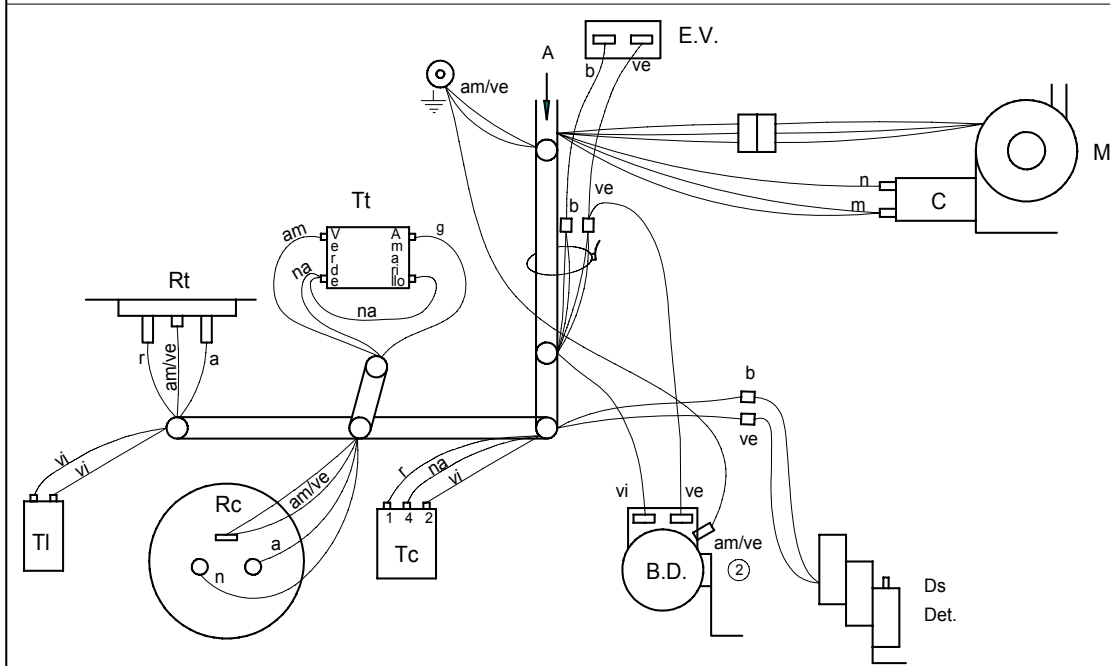
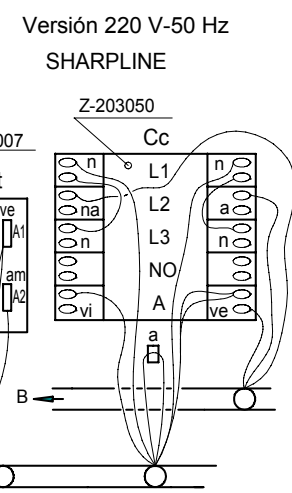
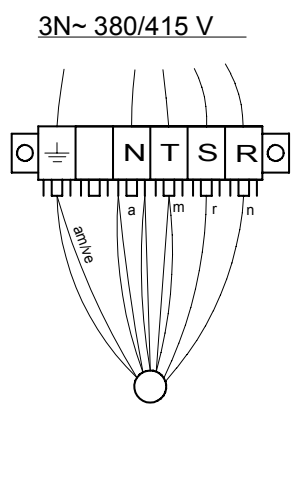
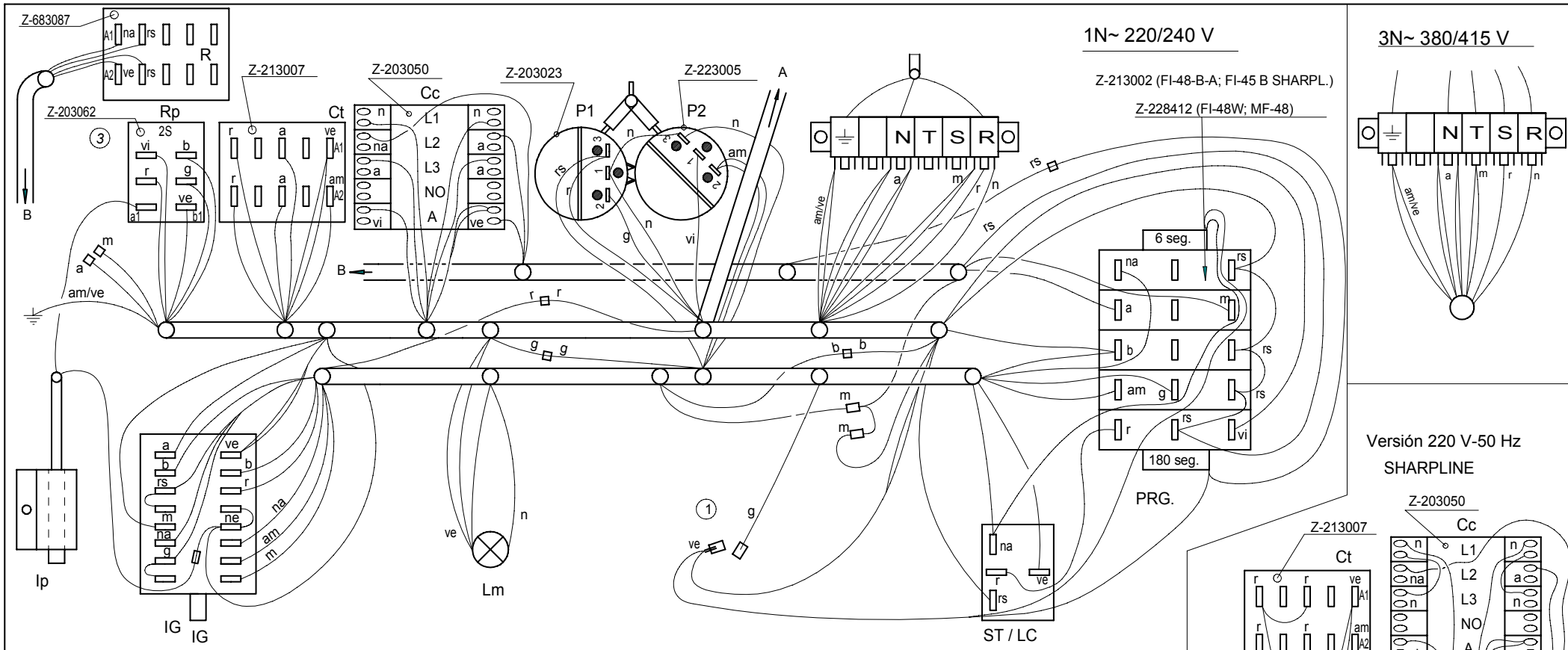
Rt = Tank heating element
 M.Av.R = Motor programmer rapid advance
 M = Motor programmer
 M1 = Micro programmer on
 M2 = Micro programmer wash
 M3 = Micro programmer rinse
 M4 = Micro programmer Termo-Stop
 M5 = Micro programmer 120" advance
 L3 = Cycle light
 MBL = Motor pump wash
 C = Motor pump condenser
 V = Filling and rinsing valve
 Ds Det = Detergent dispenser (Optional)
 P2 = Safety pressure switch
 EB = Electric pressure pump (Optional)

Resistance de cuve
 Moteur du programm. d' avancement rapide
 Moteur du programmeur
 Micro du programm. de marche
 Micro du programm. de lavage
 Micro du programm. de rincage
 Micro du programmeur Termo-Stop
 Micro programmeur Avance 120"
 Témoin de cycle
 Motobopompe de lavage
 Condensateur de la motopompe
 Valve de remplissage et de vidange
 Doseur de detergent (Option)
 Presostat de sécurité
 Electropompe de pression (Option)

Resistencia tanque
 Motor programador Avance
 Motor programador
 Micro programador marcha
 Micro programador lavado
 Micro programador aclarado
 Micro programador Termo-Stop
 Micro programador Avance 120"
 Lámpara de ciclo
 Motobomba lavado
 Condensador de motobomba
 Válvula de llenado y aclarado
 Dosificador de detergente (opcional)
 Presostato de seguridad
 Electrobomba de presión
 (Opcional)

Z-228402

HC-17118 -2



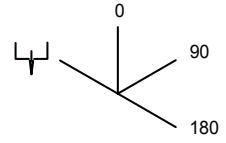
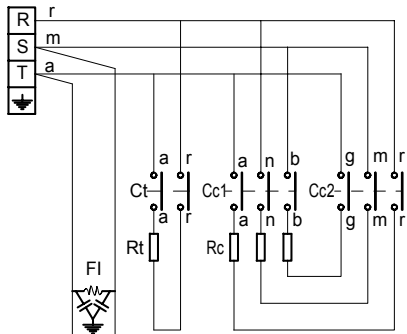
| | | | | | |
|----|---|--------------|------------------|-----------------------|-----------|
| | Esquema de montaje FI-48W, MF-48 | | Z-228407 | | |
| | Esquema de montaje FI-48B SHARPLINE | | Z-229210 | | |
| | Esquema de montaje FI-48-B-A | | Z-229016 | | |
| Nº | Pieza | Material | Nº Clasificación | Acabado | |
| Nº | Modificación | Propuesta de | Fecha | Tolerancias generales | |
| ① | Eliminar piloto verde LMP. | J.M.P. | 05-01-01 | <5± | 50-100± : |
| ② | Añadir cable tierra en bomba desague | Santi | 4-6-2001 | 5-25± : | > 100± |
| ③ | Sustituir relé Z-203018 por Z-203062, cambiar colores en Rp | J.M.P.A. | 02-05-13 | 25-50± : | ∞± |

| | | | | | |
|---------------------|------------|----------|--|------------------------|--------------|
| | Firma | Fecha | Fagor Industrial, Koop, Elk, Mugatua | Mecanizado superficial | |
| Dibujado | Santi Caro | 07-07-00 | | | |
| Proyectado | | | | | |
| Comprobado | | | | | |
| Escala | | | | | |
| LAVAVAJILLAS | | | | Plano numero | HC-17268 - 3 |
| | | | | Sustituye al Nº | HC-16424 |
| | | | | Sustituido por | |

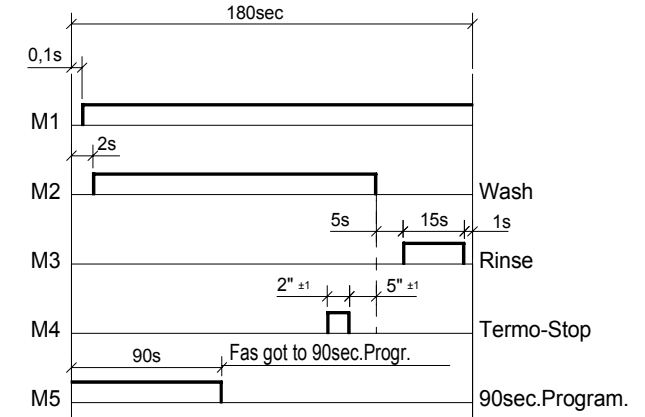
Plano hau ez daitate erabil ez bemiza gure baimenitz gabe

208-220-240 V. 3Ph

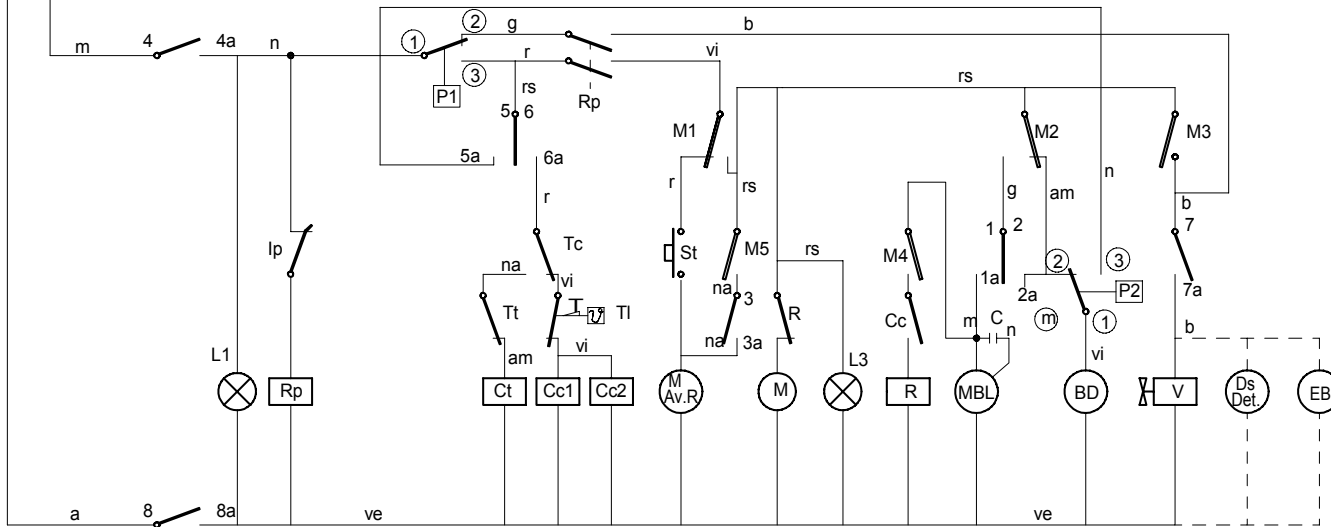
MF-64 ; FI-64 W ; FI-64-B-A



| | 1 1a | 2 2a | 3 3a | 4 4a | 5 4a-5a | 6 6a | 7 7a | 8 8a |
|-----|---------|---------|---------|---------|------------|---------|---------|---------|
| 0 | | X | | X | X | | | X |
| 90 | X | | X | X | | X | X | X |
| 180 | X | | X | | | X | X | X |



Colours code-Code de couleurs-Codigo de colores:
 r = red-rouge-rojo
 m = brown-marron-marron
 g = grey-gris-gris
 n = black-noir-negro
 a = blue-bleu-azul
 b = white-blanc-blanco
 vi = violette-violet-violeta
 am = yellow-jaune-amarillo
 na = orange-orange-naranja
 rs = rose-pink-rosa
 ve = green-vert-verte
 am/ve = yellow green-jaune vert-amar./verde



I \overline{c} General switch
 L1 = On lamp
 Ip = Door micro
 Rp = Door relay
 P1 = Pressure switch
 Tc = Drum thermostat
 Tt = Tank thermostat
 Tl = Drum limiter thermostat
 Cc1,Cc2 = Drum contactor
 Ct = Tank contactor
 L2 = Machine ready light
 Rc = Drum heating element
 St = Start button
 FI = Interferences filter
 BD = Drain pump

Interrupteur general
 Témoin de marche
 Micro de porte
 Relais de porte
 Presostat
 Thermostat du surchauffeur
 Thermostat de cuve
 Thermostat limitateur du surchauffeur
 Contacteur du surchauffeur
 Contacteur de cuve
 Témoin de marchine préparée
 Resistancia du surchauffeur
 Bouton de marche
 Filtre d'interferences
 Pompe de vidange

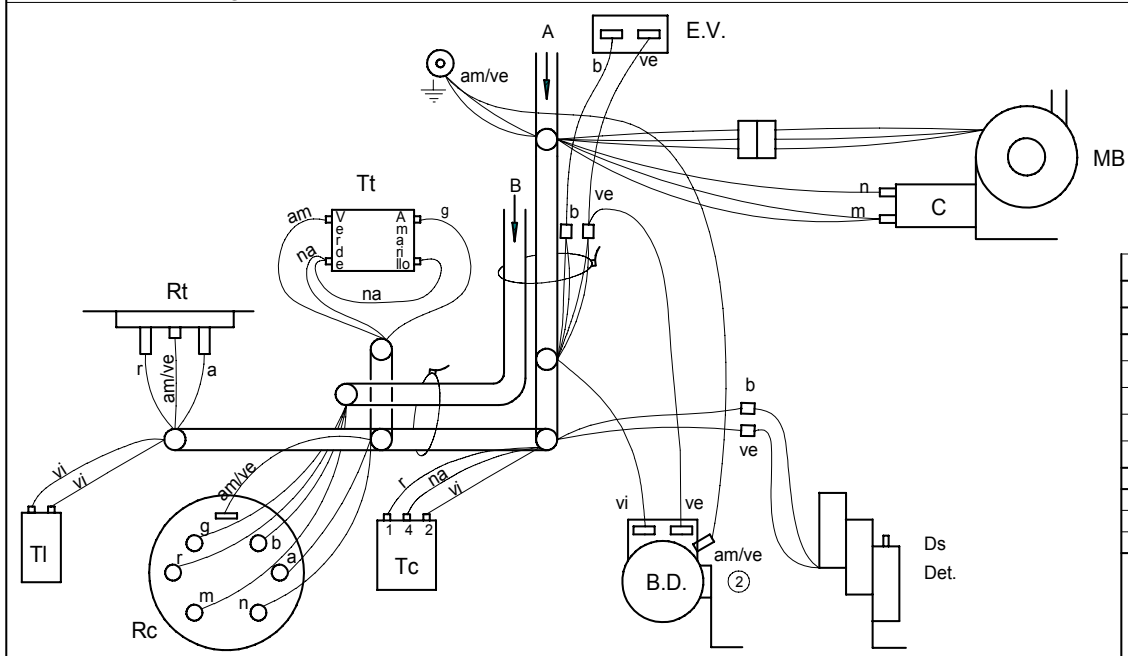
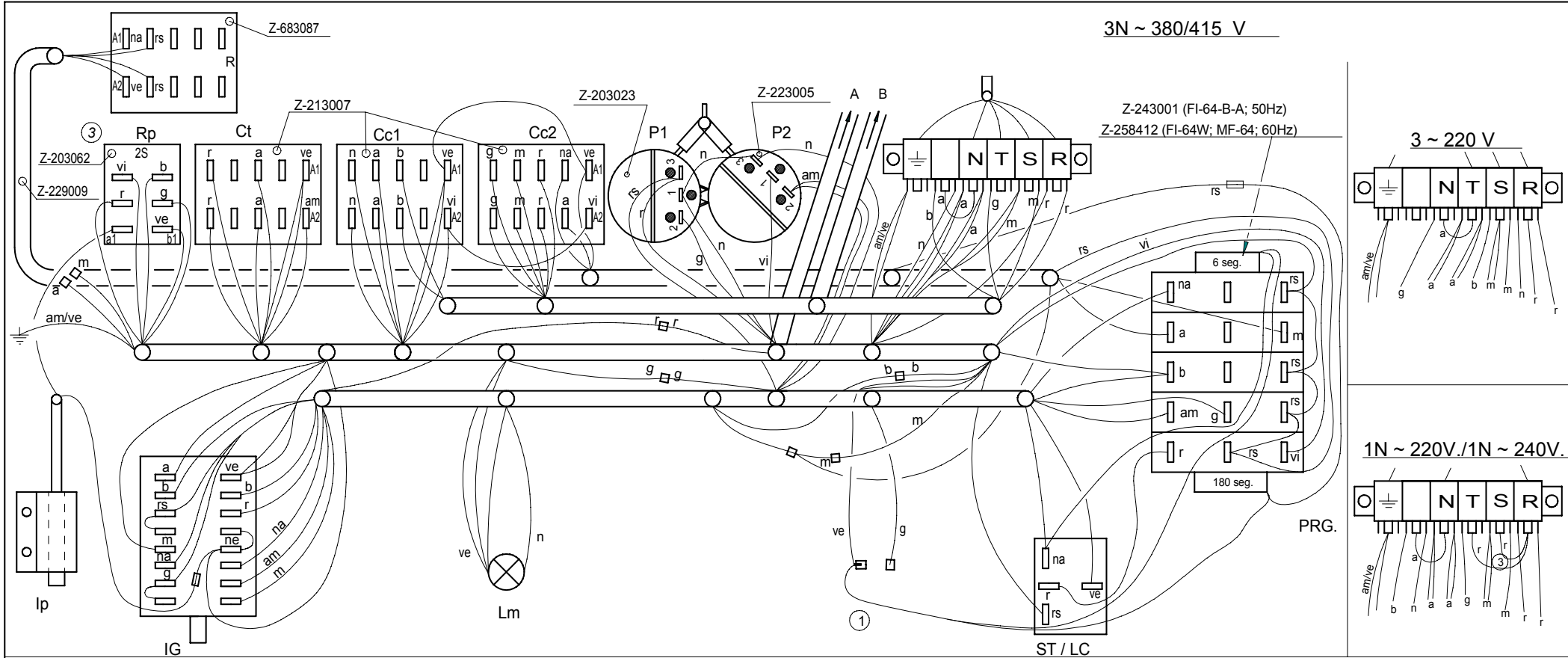
Interruptor General
 Lampara de marcha
 Micro de puerta
 Relé puerta
 Presostato
 Termostato calderin
 Termostato tanque
 Termostato limitador de calderin
 Contactor calderin
 Contactor tanque
 Lampara máquina preparada
 Resistancia calderin
 Pulsador de marcha
 Filtro de interferencias
 Bomba de Desagüe

Rt = Tank heating element
 M.Av.R = Motor programmer rapid advance
 M = Motor programmer
 M1 = Micro programmer on
 M2 = Micro programmer wash
 M3 = Micro programmer rinse
 M4 = Micro programmer Thermo-Stop
 M5 = Micro programmer 90° advance
 L3 = Cycle light
 MBL = Motor pump wash
 C = Motor pump condenser
 V = Filling and rinsing valve
 Ds Det = Detergent dispenser (Optional)
 P2 = Safety pressure switch
 EB = Electric pressure pump (Optional)

Resistancia de cuve
 Moteur du programm. d' avancement rapide
 Moteur du programmeur
 Micro du programm. de marche
 Micro du programm. de lavage
 Micro du programm. de rincage
 Micro du programador Thermo-Stop
 Micro programador Avance 90°
 Témoin de cycle
 Motobopompe de lavage
 Condensateur de la motopompe
 Valve de remplissage et de vidange
 Doseur de detergent (Option)
 Presostat de sécurité
 Electropompe de pression (Option)

Resistencia tanque
 Motor programador Avance
 Motor programador
 Micro programador marcha
 Micro programador lavado
 Micro programador aclarado
 Micro programador Thermo-Stop
 Micro programador Avance 90°
 Lámpara de ciclo
 Motobomba lavado
 Condensador de motobomba
 Válvula de llenado y aclarado
 Dosificador de detergente (opcional)
 Presostato de seguridad
 Electrobomba de presión (Opcional)

3N ~ 380/415 V



| Esquema montaje FI-64 W; MF-64; FI-64-B-A | | Z-258406 | |
|---|--------------|------------------|--------------------------------------|
| Nº Pieza | Material | Nº Clasificación | Acabado |
| Nº Modificación | Propuesta de | Fecha | Tolerancias generales |
| ① Introd. Versión FI-64-B-A; eliminar piloto Lmp | J.M.P. | 28-12-00 | < 5± |
| ② Añadir cable tierra en bomba desague | Santi | 4-6-2001 | 5-25± |
| ③ Sustituir relé Z-203018 por Z-203062, cambiar colores en Rp | J.M.P.A. | 02-05-13 | > 100± |
| | | | 25-50± |
| | | | ∞± |
| Dibujado | Firma | Fecha | Mecanizado superficial |
| Proyectado | S. N. | 24-3-00 | |
| Comprobado | | | Fagor Industrial, Koop, Elk, Mugatua |
| Escala | | | Plano numero HC-17220 - 3 |
| | | | Sustituye al Nº |
| | | | Sustituido por |

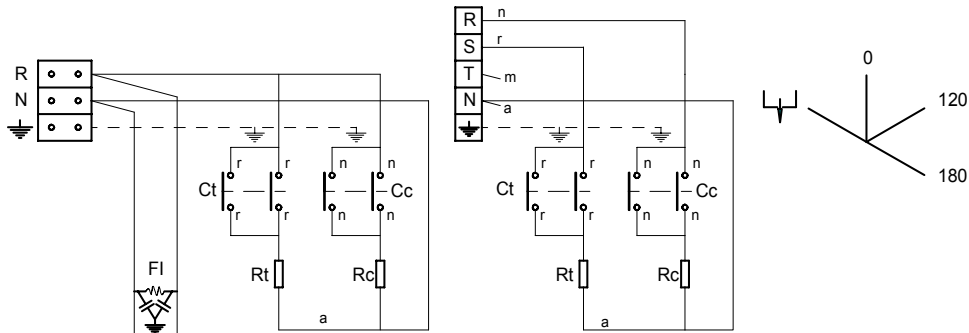
LAVAVAJILLAS

Plano hau ez daitake erabili ez bezitza gure baimenituz gabe

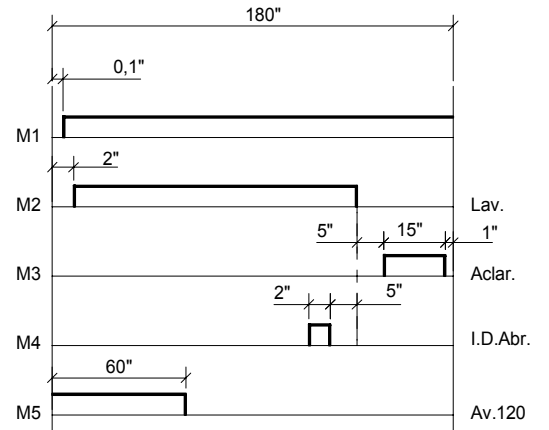
1N ~ 240V.

3N ~ 380 - 415 V.

FI - 48 B SHARPLINE

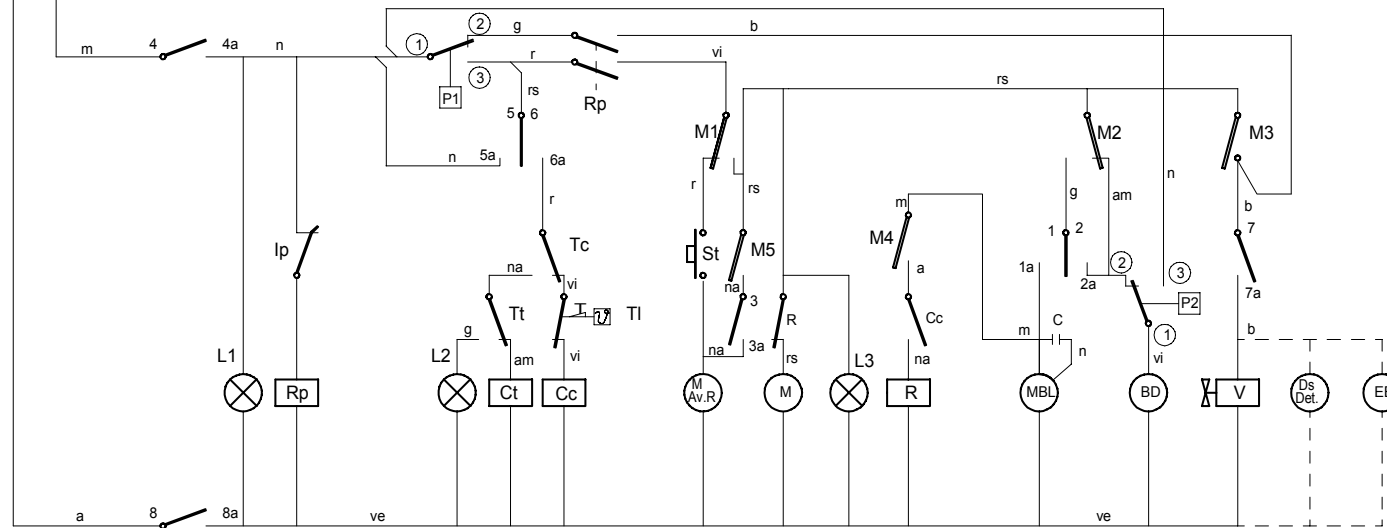


| | | | | | | | |
|-----|-------|----|----|---------|----|----|----|
| | 1 - 2 | 3 | 4 | 5 - 6 | 7 | 8 | |
| | 1a | 2a | 3a | 4a - 5a | 6a | 7a | 8a |
| 0 | | X | | X | X | | X |
| 120 | X | | X | X | | X | X |
| 180 | X | | X | | X | X | X |



CODIGO DE COLORES:

- r = rojo-red-rouge
- m = marron-brown-marron
- g = gris-grey-gris
- n = negro-black-noir
- a = azul-blue-bleu
- b = blanco-white-blanc
- vi = violeta-violette-violet
- am = amarillo-yellow-jaune
- na = naranja-orange-orange
- rs = rosa-rose-pink
- ve = verde-green-vert
- am/ve = amarillo verde-yellow green-jaune vert



NOTAS.-

- Fondo del esquema: Color Blanco
- Grabaciones: Color Negro
- Dimensiones: 235x120
- N° Clasificación: Parte inferior dcha.

- I_G = Interruptor General
- L1 = Lampara de marcha
- Ip = Micro de puerta
- Rp = Relé puerta
- P1 = Presostato
- Tc = Termostato calderin
- Tt = Termostato tanque
- Tl = Termostato limitador de calderin
- Cc = Contactor calderin
- Ct = Contactor tanque
- L2 = Lampara máquina preparada
- Rc = Resistencia calderin
- St = Pulsador de marcha
- FI = Filtro de interferencias
- BD = Bomba de Desagüe
- R = Relé termo-stop

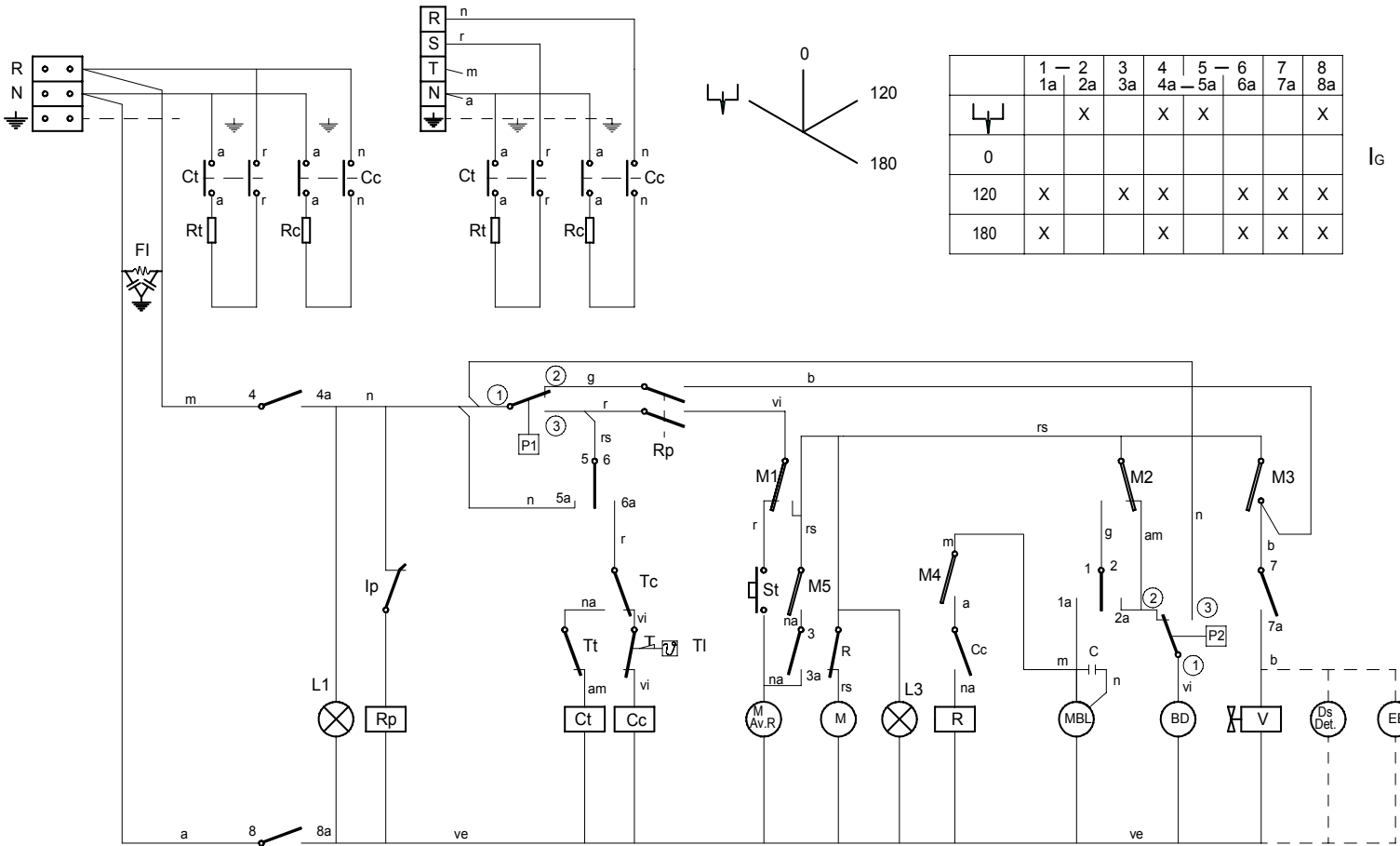
- Rt = Resistencia tanque
- M.Av.R = Motor programador Avance Rápido
- M = Motor programador
- M1 = Micro programador marcha
- M2 = Micro programador lavado
- M3 = Micro programador aclarado
- M4 = Micro programador impulso dosif. abrillantador
- M5 = Micro programador Avance 120"
- L3 = Lámpara de ciclo
- MBL = Motobomba lavado
- C = Condensador de motobomba
- V = Válvula de llenado y aclarado
- Ds Det = Dosificador de detergente (opcional)
- P2 = Presostato de seguridad
- EB = Electrobomba de presión (Opcional)

| | | | | | | |
|---|--------------|--------------------------------------|----------|------------------------|-----------------------|-----------|
| Esquema teorico adhesivo | | Papel adhesivo | | Z-229204 | | |
| Nº | Pieza | Cant. | Material | Nº Clasificacion | Acabado | |
| Nº | Modificacion | Propuesta de | | Fecha | Tolerancias generales | |
| | | | | | <5± | 50-100± : |
| | | | | | 5-25± : | > 100± |
| | | | | | 25-50± : | ∞± |
| Dibujado | | Firma | | Fecha | | |
| Proyectado | | S. N. | | 9-1-98 | | |
| Comprobado | | | | FAGOR | | |
| Escala | | Fagor Industrial, Koop, Elk, Mugatua | | Mecanizado superficial | | |
| <h2>LAVAVAJILLAS</h2> | | | | Plano numero | | |
| | | | | <h3>HC-16793</h3> | | |
| | | | | Sustituye al N° | | |
| | | | | Sustituido por | | |
| Plano hau ez dateke erabili ez berrizta gure baimenitz gabe | | | | | | |

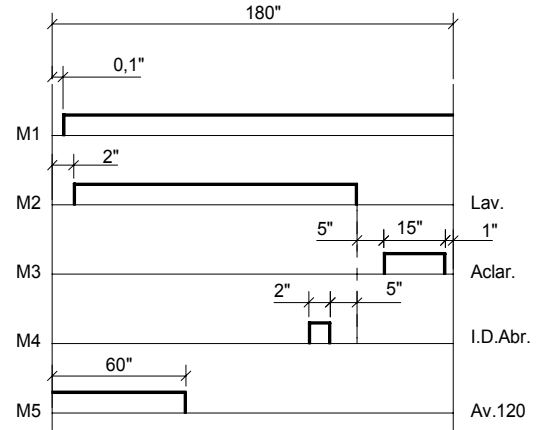
1N ~ 240V.

3N ~ 380 - 415 V.

FI - 48-B-A



| | | | | | | | | |
|-----|----|----|----|----|----|----|----|----|
| | 1 | 2 | 3 | 4 | 5 | 6 | 7 | 8 |
| | 1a | 2a | 3a | 4a | 5a | 6a | 7a | 8a |
| 0 | | X | | X | X | | | X |
| 120 | X | | X | X | | X | X | X |
| 180 | X | | X | | | X | X | X |



CODIGO DE COLORES:

- r = rojo-red-rouge
- m = marron-brown-marron
- g = gris-grey-gris
- n = negro-black-noir
- a = azul-blue-bleu
- b = blanco-white-blanc
- vi = violeta-violette-violet
- am = amarillo-yellow-jaune
- na = naranja-orange-orange
- rs = rosa-rose-pink
- ve = verde-green-vert
- am/ve = amarillo verde-yellow green-jaune vert

NOTAS.-

- Fondo del esquema: Color Blanco
- Grabaciones: Color Negro
- Dimensiones: 235x120
- N° Clasificación: Parte inferior dcha.

I_G = Interruptor General
 L1 = Lampara de marcha
 Ip = Micro de puerta
 Rp = Relé puerta
 P1 = Presostato
 Tc = Termostato calderin
 Tt = Termostato tanque
 TI = Termostato limitador de calderin
 Cc = Contactor calderin
 Ct = Contactor tanque
 L2 = Lampara máquina preparada
 Rc = Resistencia calderin
 St = Pulsador de marcha
 FI = Filtro de interferencias
 BD = Bomba de Desagüe
 R = Relé termo-stop

Rt = Resistencia tanque
 M.Av.R = Motor programador Avance Rápido
 M = Motor programador
 M1 = Micro programador marcha
 M2 = Micro programador lavado
 M3 = Micro programador aclarado
 M4 = Micro programador impulso dosif. abrillantador
 M5 = Micro programador Avance 120"
 L3 = Lámpara de ciclo
 MBL = Motobomba lavado
 C = Condensador de motobomba
 V = Válvula de llenado y aclarado
 Ds Det = Dosificador de detergente (opcional)
 P2 = Presostato de seguridad
 EB = Electrobomba de presión (Opcional)

| | | | | | |
|---|--------------------|--------------------------------------|----------|------------------------|---|
| Esquema teorico adhesivo | | Papel adhesivo | | Z-229010 | |
| Nº | Pieza | Cant. | Material | Nº Clasificacion | Acabado |
| Nº | Modificacion | Propuesta de | | Fecha | Tolerancias generales |
| ① | Eliminar Piloto L2 | J.M.P. | | 05-01-01 | <5± : 50-100± : 5-25± : > 100± 25-50± : <∞± |
| Dibujado | | Firma | Fecha | Mecanizado superficial | |
| Proyectado | | S. N. | 28-9-95 | FAGOR | |
| Comprobado | | Fagor Industrial, Koop. Elk, Mugatua | | Plano numero | |
| Escala | | LAVAVAJILLAS | | HC-16505 -1 | |
| Plano hau ez dateke erabili ez berrizta gure baimenitz gabe | | | | Sustituye al N° | |
| | | | | Sustituido por | |