
DESPIECE TECNICO

**Lavavasos
Lavevaisselle
Dishwasher
Geschirrspüler
Lavastoviglie**

Modelos:

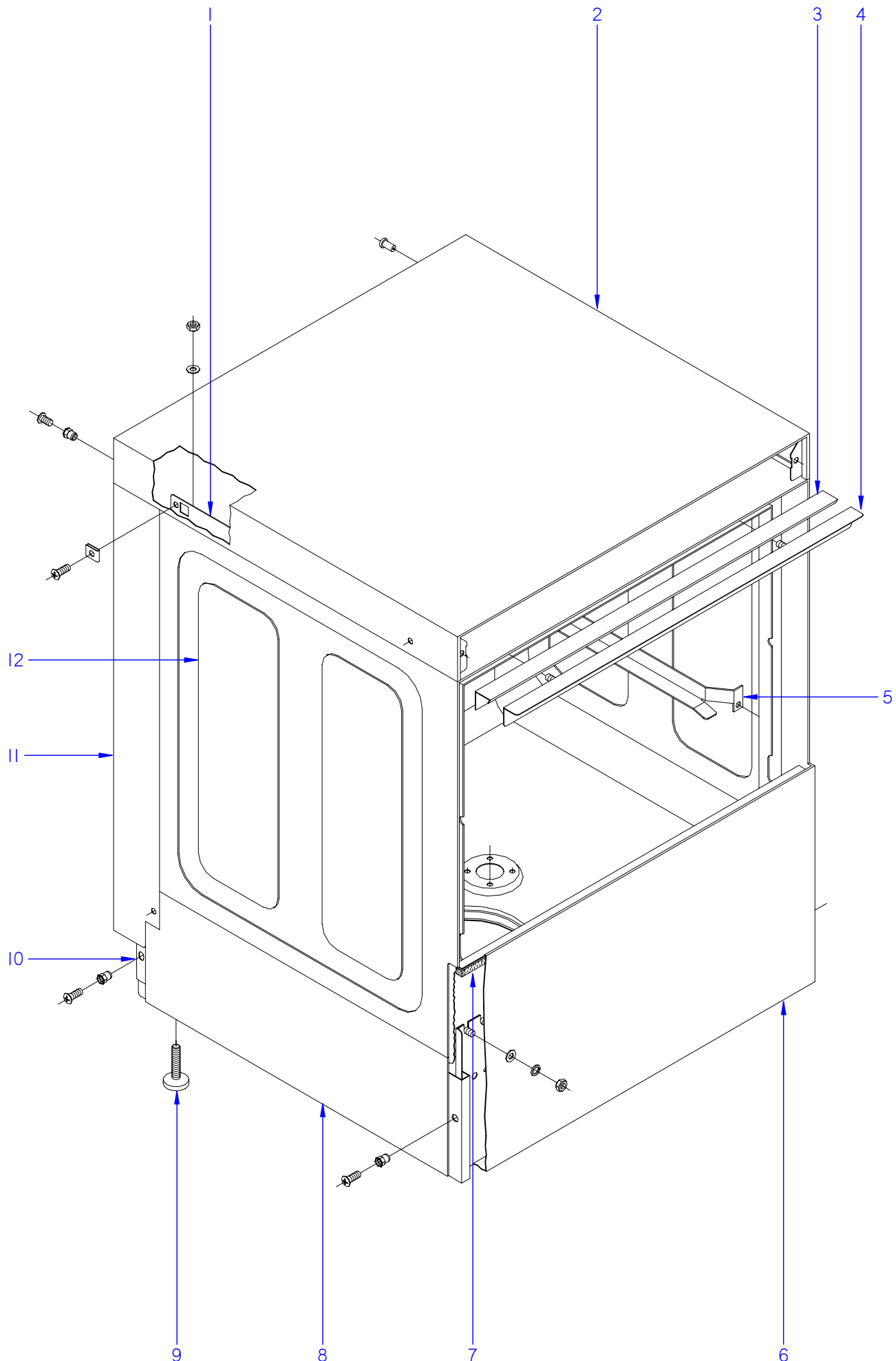
**LVC-12
LVC-15
LVC-15D
LVC-21
LVC-21D
LVC-21B
LVC-21C
LVC-21W**

Octubre 2009 October

Revisado Mayo 2010



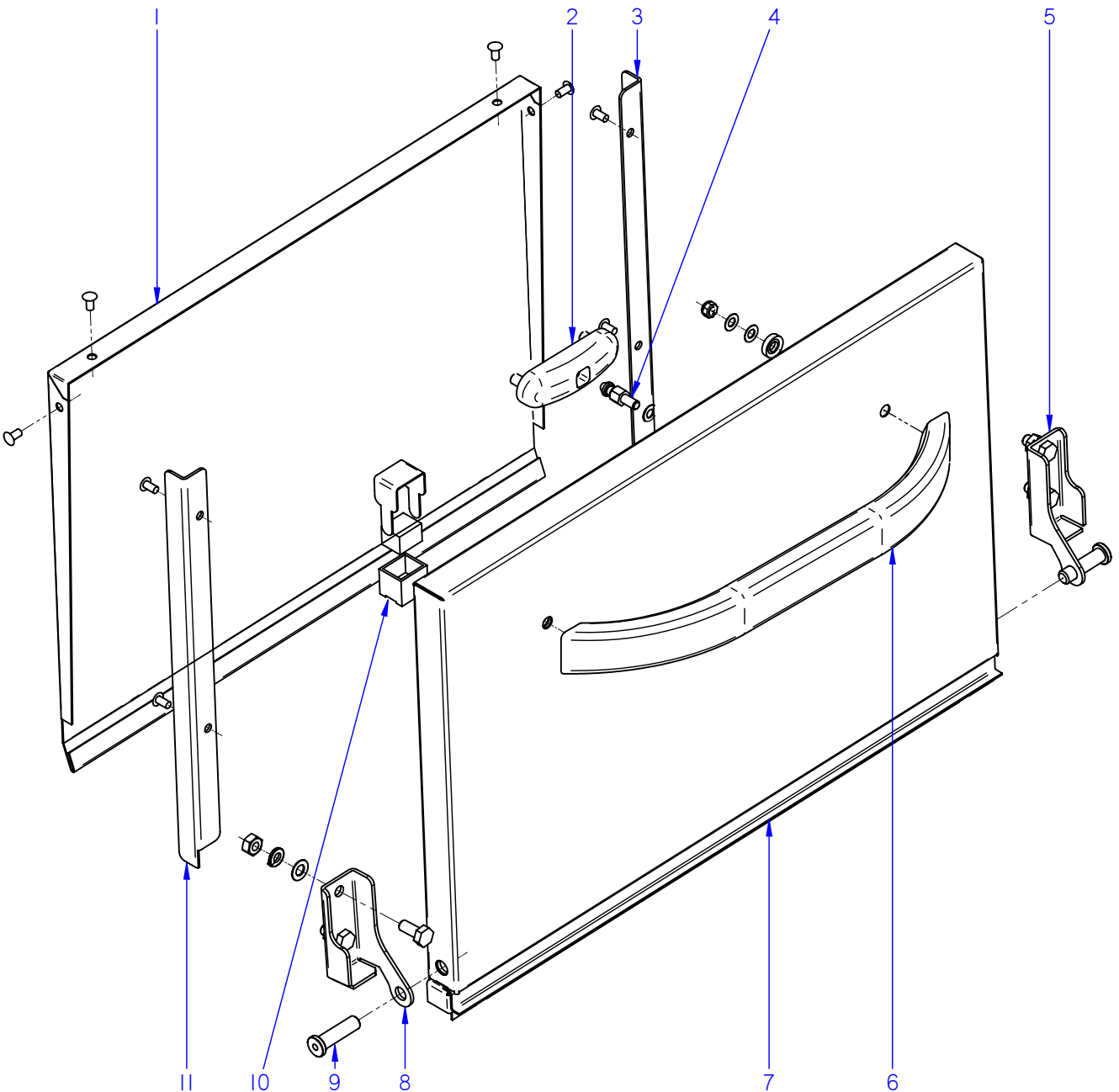
Fagor Industrial



ITEM MARCADO EN COLOR = REPUESTO RECOMENDADO
 COLOURED ITEM = RECOMMENDED SPARE PART

| | | | | | | |
|---------|--------------------|---------|---------------|--------|--------|---------------------------------------|
| N plano | Firma | Fecha | Aparato | MUEBLE | Lamina | Fagor Industrial S.Coop. FAGOR |
| C-2110 | <i>[Signature]</i> | 2009-10 | LAVAVASOS LVC | | 1 | Oñate |

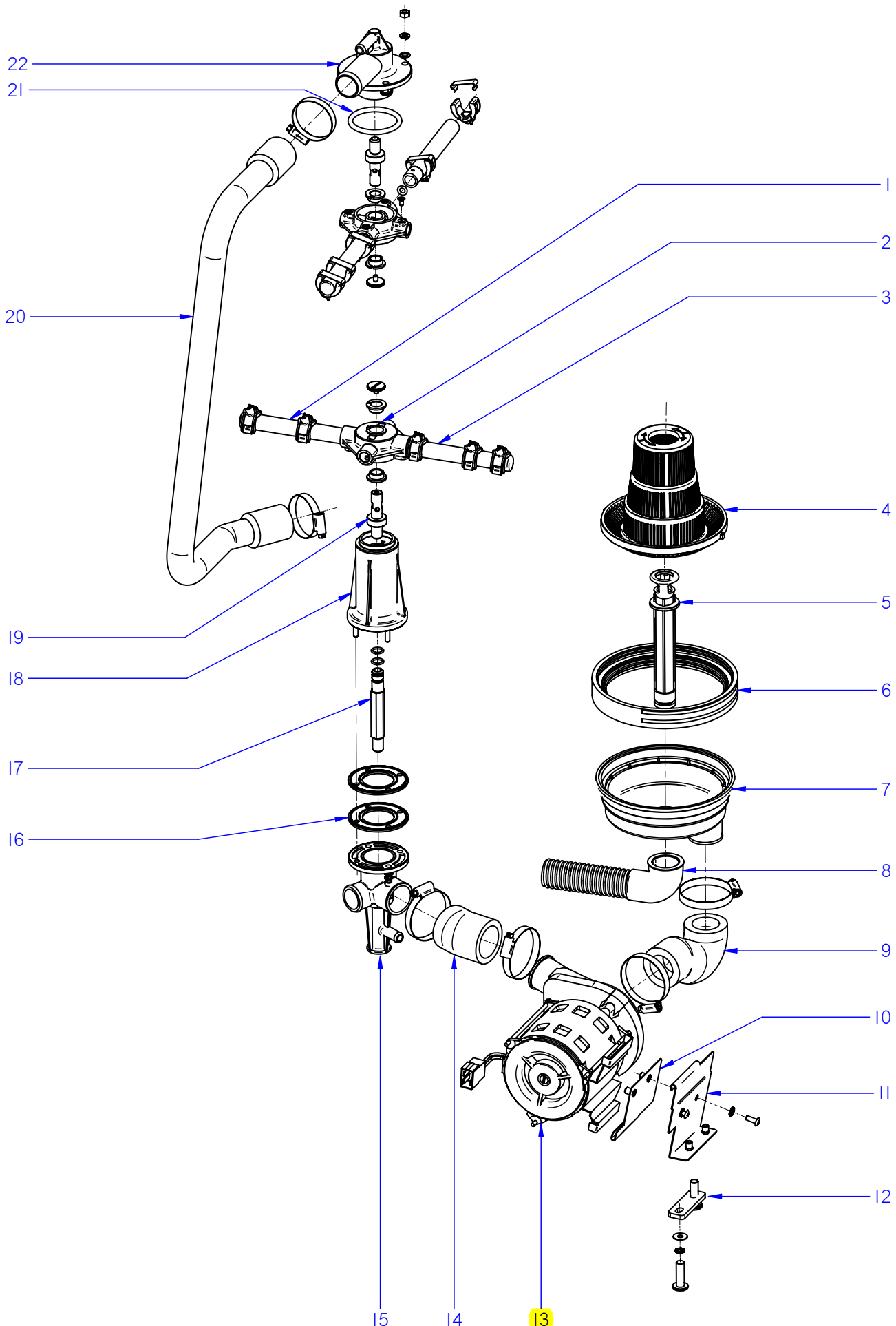
| MOD. | | LAVAVASOS | | ZONA | | MUEBLE | | | | | PLANO | | C-2110 |
|------|------------|--------------------------------|-----------------------------|--------|--------|---------|--------|---------|---------|---------|---------|--------------------|--------|
| ITEM | CODIGO | DENOMINACION | TEXTO | LVC-12 | LVC-15 | LVC-15D | LVC-21 | LVC-21D | LVC-21B | LVC-21C | LVC-21W | NOTAS | |
| 1 | Z410309000 | ESCUADRA AMARRE TAPA 12-15 | FASTENING BRACKET COVER T | 2 | 2 | 2 | - | - | - | - | - | ELIMINAD. 29.01.10 | |
| 1 | Z410317000 | ESCUADRA AMARRE TAPA 12-15 | FASTENING BRACKET COVER T | 2 | 2 | 2 | - | - | - | - | - | INTRODU. 29.01.10 | |
| 1 | Z420318000 | ESCUADRA AMARRE TAPA 21 | COVER FASTENING BRACKET 21 | - | - | - | 2 | 2 | 2 | 2 | 2 | ELIMINAD. 29.01.10 | |
| 1 | Z420319000 | ESCUADRA AMARRE TAPA 21 | COVER FASTENING BRACKET 21 | - | - | - | 2 | 2 | 2 | 2 | 2 | INTRODU. 29.01.10 | |
| | Q232040000 | ARANDELA A6 | WASHER A6 | 4 | 4 | 4 | 4 | 4 | 4 | 4 | 4 | | |
| | Q162040000 | TUERCA EXAGONAL M6 | HEXAGONAL NUT M6 | 4 | 4 | 4 | 4 | 4 | 4 | 4 | 4 | | |
| | Q221012000 | TUERCA RAPIDA M,5 | RAPID NUT M,5 | 6 | 6 | 6 | 6 | 6 | 6 | 6 | 6 | | |
| 2 | Z402904000 | TAPA R10-14-C12-15 | COVER R10-14-C12-15 | 1 | 1 | 1 | - | - | - | - | - | | |
| 2 | Z422904000 | TAPA R20-C21 | COVER R20-C21 | - | - | - | 1 | 1 | 1 | 1 | 1 | | |
| | Q152004000 | TORNILLO APLASTADO M5x13 A304 | FLAT HEADED BOLT M5x13 A304 | 10 | 10 | 10 | 10 | 10 | 10 | 10 | 10 | | |
| 3 | Z400315000 | PERFIL CAJA | BOX PROFILE | 1 | 1 | 1 | - | - | - | - | - | | |
| 3 | Z420315000 | PERFIL CAJA | BOX PROFILE | - | - | - | 1 | 1 | 1 | 1 | 1 | | |
| 4 | Z400306000 | ESCUADRA SUJECCION PERFIL | FASTENING BRACKET PROFILE | 1 | 1 | 1 | - | - | - | - | - | | |
| 4 | Z420306000 | ESCUADRA SUJECCION PERFIL | FASTENING BRACKET PROFILE | - | - | - | 1 | 1 | 1 | 1 | 1 | | |
| | Q232040000 | ARANDELA A6 | WASHER A6 | 2 | 2 | 2 | 2 | 2 | 2 | 2 | 2 | | |
| | Q262040000 | ARANDELA GROW. A6 A.304 | WASHER GROW. A6 A.304 | 2 | 2 | 2 | 2 | 2 | 2 | 2 | 2 | | |
| | Q162040000 | TUERCA EXAGONAL M6 | HEXAGONAL NUT M6 | 2 | 2 | 2 | 2 | 2 | 2 | 2 | 2 | | |
| 5 | Z410304000 | GUIA CESTILLO DERECHA C12-15 | RIGHT BASKET GUIDE C12-15 | 1 | 1 | 1 | - | - | - | - | - | | |
| 5 | Z440304000 | GUIA CESTILLO DERECHA | RIGHT BASKET GUIDE | - | - | - | 1 | 1 | 1 | 1 | 1 | | |
| S/Nº | Z410303000 | GUIA CESTILLO IZQUIERDA C12-15 | LEFT BASKET GUIDE C12-15 | 1 | 1 | 1 | - | - | - | - | - | | |
| S/Nº | Z440303000 | GUIA CESTILLO IZQUIERDA | LEFT BASKET GUIDE | - | - | - | 1 | 1 | 1 | 1 | 1 | | |
| | Q232040000 | ARANDELA A6 | WASHER A6 | 4 | 4 | 4 | 4 | 4 | 4 | 4 | 4 | | |
| | Q162040000 | TUERCA EXAGONAL M6 | HEXAGONAL NUT M6 | 4 | 4 | 4 | 4 | 4 | 4 | 4 | 4 | | |
| 6 | Z468611000 | PANEL FRONTAL10-12-14-15 NEU | FRONT PANEL10-12-14-15 NEU | 1 | 1 | 1 | - | - | - | - | - | | |
| 6 | Z448611000 | PANEL FRONTAL C21 | FRONT PANEL C21 | - | - | - | 1 | 1 | - | - | - | | |
| | Z458611000 | PANEL FRONTAL 21B | FRONT PANEL 21B | - | - | - | - | - | 1 | 1 | 1 | | |
| 7 | Z400309000 | PERFIL INFERIOR CAJA | BOX LOWER PROFILE | 1 | 1 | 1 | - | - | - | - | - | | |
| 7 | Z420309000 | PERFIL INFERIOR CAJA | BOX LOWER PROFILE | - | - | - | 1 | 1 | 1 | 1 | 1 | | |
| 8 | Z468720000 | ARMAZON COMPLETO | COMPLETE FRAME | 1 | 1 | 1 | - | - | - | - | - | | |
| 8 | Z420101000 | ARMAZON COMPLETO | COMPLETE FRAME | - | - | - | 1 | 1 | 1 | 1 | 1 | | |
| 9 | Z200107000 | PATA REGULABLE | ADJUSTABLE LEG | 4 | 4 | 4 | 4 | 4 | 4 | 4 | 4 | | |



ITEM MARCADO EN COLOR = REPUESTO RECOMENDADO
 COLOURED ITEM = RECOMMENDED SPARE PART

| | | | | | | |
|---------|----------------|---------|---------------|--------|--------|---------------------------|
| N plano | Firma | Fecha | Aparato | PUERTA | Lamina | Fagor Industrial S. Coop. |
| C-21111 | <i>(Firma)</i> | 2009-10 | LAVAVASOS LVC | | 2 | Onate |
| | | | | | | |

| MOD. | | LAVAVASOS | | ZONA | PUERTA | | | | | | | PLANO | C-2111 |
|------|-------------------|-----------------------------------|----------------------------------|--------|--------|---------|--------|---------|---------|---------|---------|-------|--------|
| ITEM | CODIGO | DENOMINACION | TEXTO | LVC-12 | LVC-15 | LVC-15D | LVC-21 | LVC-21D | LVC-21B | LVC-21C | LVC-21W | NOTAS | |
| | <u>1200002010</u> | <u>KIT PUERTA LAVAVASOS 12-15</u> | <u>DOOR KIT 12-15 GLASSWASH.</u> | 1 | 1 | 1 | - | - | - | - | - | | |
| | <u>1200002020</u> | <u>KIT PUERTA LAVAVASOS 21</u> | <u>DOOR KIT 21 GLASSWASHER</u> | - | - | - | 1 | 1 | 1 | 1 | 1 | | |
| 1 | Z400511000 | CONTRAPUERTA COMPLETA | COMPLETE DOOR REVERSE | 1 | 1 | 1 | - | - | - | - | - | | |
| 1 | Z420513000 | CONTRAPUERTA COMPL. R20-C21 | COMPL. DOOR REVERSE R20-C21 | - | - | - | 1 | 1 | 1 | 1 | 1 | | |
| | Q412000000 | REMACHE TUBULAR 4 x 8 | TUBULAR RIVET 4 x 8 | 4 | 4 | 4 | 4 | 4 | 4 | 4 | 4 | | |
| 2 | Z200607000 | CONJUNTO CIERRE PUERTAT-CO | LOCK UNIT PUERTAT-CO | 1 | 1 | 1 | 1 | 1 | 1 | 1 | 1 | | |
| | Q222012000 | TUERCA AUTOBLOCANTE M6 | SELF-LOCKING NUT M6 | 2 | 2 | 2 | 2 | 2 | 2 | 2 | 2 | | |
| 3 | Z400521000 | GUIA DERECHA | RIGHT GUIDE | 1 | 1 | 1 | - | - | - | - | - | | |
| 3 | Z420521000 | GUIA DERECHA | RIGHT GUIDE | - | - | - | 1 | 1 | 1 | 1 | 1 | | |
| 4 | Z200601000 | ENGANCHE CIERRE | LOCK LATCH | 1 | 1 | 1 | 1 | 1 | 1 | 1 | 1 | | |
| 5 | Z400515000 | BISAGRA DERECHA T-C. | RIGHT HINGE T-C. | 1 | 1 | 1 | 1 | 1 | 1 | 1 | 1 | | |
| | Q012042000 | TORNILLO EXAGONAL M6X15 | HEXAGONAL BOLT M6x15 | 2 | 2 | 2 | 2 | 2 | 2 | 2 | 2 | | |
| | Q232040000 | ARANDELA A6 | WASHER A6 | 2 | 2 | 2 | 2 | 2 | 2 | 2 | 2 | | |
| | Q262040000 | ARANDELAGROW. A6 A.304 | WASHER GROW. A6 A.304 | 2 | 2 | 2 | 2 | 2 | 2 | 2 | 2 | | |
| | Q162040000 | TUERCA EXAGONAL M6 | HEXAGONAL NUT M6 | 2 | 2 | 2 | 2 | 2 | 2 | 2 | 2 | | |
| 6 | Z400542000 | ASA LVS. | HANDLE LVS. | 1 | 1 | 1 | 1 | 1 | 1 | 1 | 1 | | |
| | Q032032000 | TORNILLO ALOMADO M5X15 | CURVED SCREW M5X15 | 2 | 2 | 2 | 2 | 2 | 2 | 2 | 2 | | |
| | Q308002000 | ARANDELA DUBO A6 NYLON | WASHER DUBO A6 NYLON | 2 | 2 | 2 | 2 | 2 | 2 | 2 | 2 | | |
| 7 | Z468004000 | PUERTA COMPLETA EDESA | COMPLETE DOOR EDESA | 1 | 1 | 1 | - | - | - | - | - | | |
| 7 | Z448003000 | PUERTA COMPLETA EDESA | COMPLETE DOOR EDESA | - | - | - | 1 | 1 | 1 | 1 | 1 | | |
| 8 | Z400514000 | BISAGRA IZQUIERDA T-C. | LEFT HINGE T-C. | 1 | 1 | 1 | 1 | 1 | 1 | 1 | 1 | | |
| | Q012042000 | TORNILLO EXAGONAL M6X15 | HEXAGONAL BOLT M6x15 | 2 | 2 | 2 | 2 | 2 | 2 | 2 | 2 | | |
| | Q232040000 | ARANDELA A6 | WASHER A6 | 2 | 2 | 2 | 2 | 2 | 2 | 2 | 2 | | |
| | Q262040000 | ARANDELAGROW. A6 A.304 | WASHER GROW. A6 A.304 | 2 | 2 | 2 | 2 | 2 | 2 | 2 | 2 | | |
| | Q162040000 | TUERCA EXAGONAL M6 | HEXAGONAL NUT M6 | 2 | 2 | 2 | 2 | 2 | 2 | 2 | 2 | | |
| 9 | Z400516000 | EJE PUERTA | DOOR SHAFT | 2 | 2 | 2 | 2 | 2 | 2 | 2 | 2 | | |
| 10 | Z200506000 | IMAN | MAGNET | - | 1 | 1 | 1 | 1 | 1 | 1 | 1 | | |
| | Z200507000 | PROTECTOR IMAN | MAGNET PROTECTOR | - | 1 | 1 | 1 | 1 | 1 | 1 | 1 | | |
| 11 | Z400522000 | GUIA IZQUIERDA | LEFT GUIDE | 1 | 1 | 1 | - | - | - | - | - | | |
| 11 | Z420522000 | GUIA IZQUIERDA | LEFT GUIDE | - | - | - | 1 | 1 | 1 | 1 | 1 | | |
| | Q412000000 | REMACHE TUBULAR 4 x 8 | TUBULAR RIVET 4 x 8 | 2 | 2 | 2 | 2 | 2 | 2 | 2 | 2 | | |

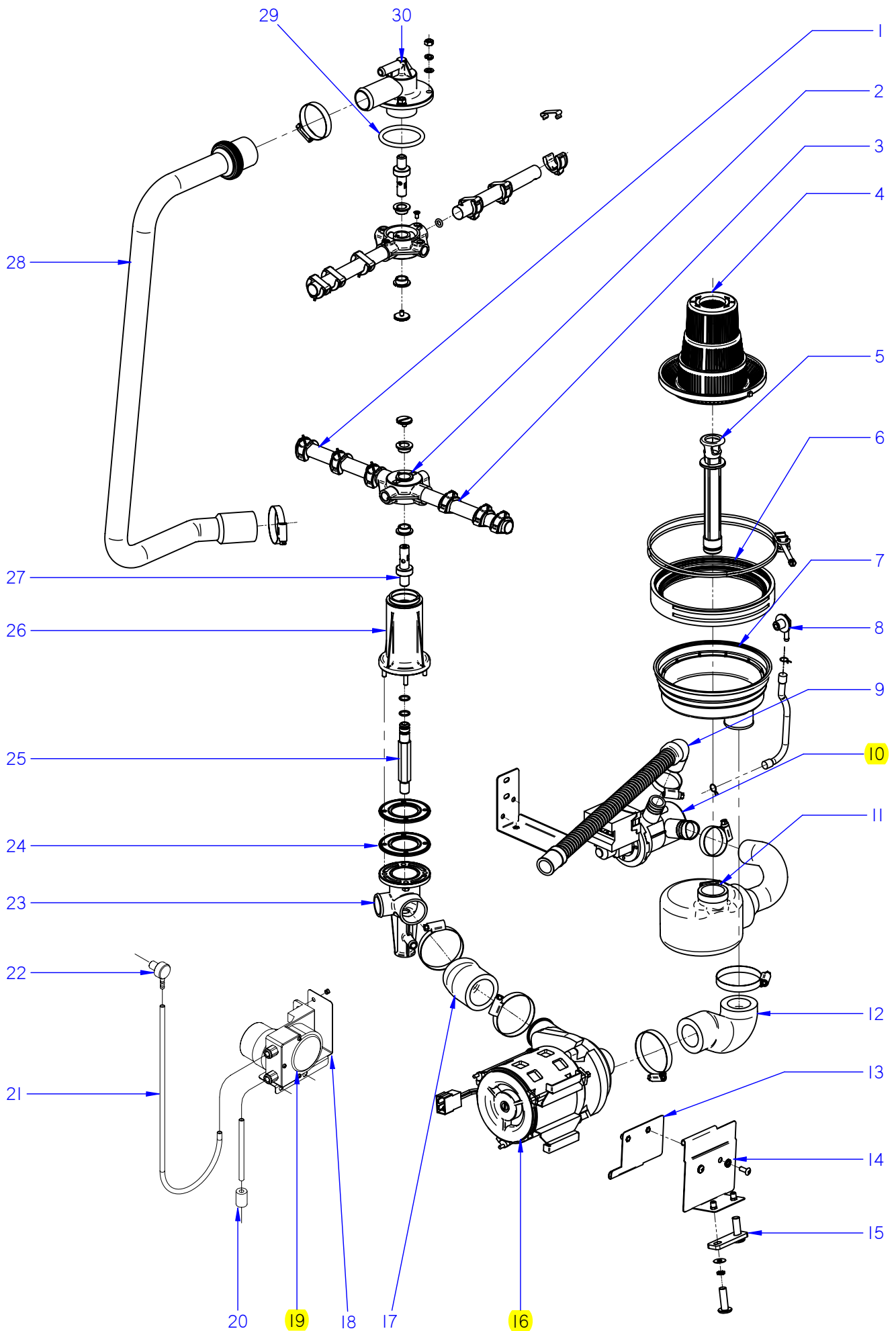


ITEM MARCADO EN COLOR = REPUESTO RECOMENDADO
 COLOURED ITEM = RECOMMENDED SPARE PART

| | | | | | | |
|---------|--------------------|---------|---------------|---------------------------|--------|---------------------------------------|
| N plano | Firma | Fecha | Aparato | CONJUNTO FUNCIONAL LAVADO | Lamina | Fagor Industrial S.Coop. FAGOR |
| C-2112 | <i>[Signature]</i> | 2009-10 | LAVAVASOS LVC | | 3 | Oñate |

| MOD. | | LAVAVASOS | | ZONA | CONJUNTO FUNCIONAL LAVADO | | | | | PLANO | C-2112 |
|------|------------|-------------------------------|-----------------------------|--------|---------------------------|---------|--------|---------|--|-------|--------|
| ITEM | CODIGO | DENOMINACION | TEXTO | LVC-12 | LVC-15 | LVC-15D | LVC-21 | LVC-21D | | | NOTAS |
| 1 | Z460701000 | RAMA LAVADO B | WASH B BRANCH | 2 | 2 | 2 | - | - | | | |
| 1 | Z440707000 | RAMA LAVADO B | WASH B BRANCH | | - | - | 2 | 2 | | | |
| | Z400709000 | TOBERA LAVADO | WASH NOZZLE | 4 | 4 | 4 | 6 | 6 | | | |
| | Z400711000 | ENGANCHE TOBERA LAVADO | WASH NOZZLE CATCH | 4 | 4 | 4 | 6 | 6 | | | |
| 2 | Z410704000 | CRUCETA | CROSSPIECE | 2 | 2 | 2 | 2 | 2 | | | |
| | Q152016000 | TORNILLO ESPECIAL M.5X0.8 | SPECIAL BOLT M.5X0.8 | 2 | 2 | 2 | 2 | 2 | | | |
| | Z410705000 | CASQUILLO CRUCETA | CROSSPIECE BUSHING | 4 | 4 | 4 | 4 | 4 | | | |
| 3 | Z460702000 | RAMA LAVADO A | WASH BRANCH A | 2 | 2 | 2 | - | - | | | |
| 3 | Z440706000 | RAMA LAVADO A | WASH BRANCH A | - | - | - | 2 | 2 | | | |
| | Z400709000 | TOBERA LAVADO | WASH NOZZLE | 6 | 6 | 6 | 6 | 6 | | | |
| | Z400711000 | ENGANCHE TOBERA LAVADO | WASH NOZZLE CATCH | 6 | 6 | 6 | 6 | 6 | | | |
| 4 | Z400920000 | FILTRO ALTO | HIGH FILTER | 1 | 1 | 1 | 1 | 1 | | | |
| 5 | Z400907000 | ALIVIADERO | OVERFLOW | 1 | 1 | 1 | 1 | 1 | | | |
| 6 | Z400902000 | JUNTA CUBETA | TRAY SEAL | 1 | 1 | 1 | 1 | 1 | | | |
| 7 | Z400901000 | CUBETA | TRAY | 1 | 1 | 1 | 1 | 1 | | | |
| | Z400903000 | ABRAZADERA CUBETA | TRAY CLAMP | 1 | 1 | 1 | 1 | 1 | | | |
| 8 | Z400908000 | MANGUERA DESAGÜE | DRAINAGE HOSE | 1 | 1 | 1 | 1 | 1 | | | |
| | Q901307000 | ABRAZADERA ELASTICA 37.7-39.7 | ELASTIC CLAMP 37.7-39.7 | 1 | 1 | 1 | 1 | 1 | | | |
| 9 | Z400905000 | CODO ASPIRACION 1003115 | EXTRACTOR ELBOW 1003115 | 1 | 1 | 1 | 1 | 1 | | | |
| | Q881307000 | ABRAZADERA 40-60 | CLAMP 40-60 | 2 | 2 | 2 | 2 | 2 | | | |
| 10 | Z401004000 | AMARRE MOTOBOMBA | MOTORPUMP FASTENING | 1 | 1 | 1 | 1 | 1 | | | |
| 11 | Z401002000 | SOPORTE MOTOBOMBA | MOTOR PUMP SUPPORT | 1 | 1 | 1 | - | - | | | |
| 11 | Z421002000 | SOPORTE MOTOBOMBA | MOTOR PUMP SUPPORT | - | - | - | 1 | 1 | | | |
| | Q152004000 | TORNILLO APLASTADO M5x13 A304 | FLAT HEADED BOLT M5x13 A304 | 2 | 2 | 2 | 2 | 2 | | | |
| | Q242030000 | ARANDELA ABANICO A5 A.304 | FAN WASHER A5 A.304 | 2 | 2 | 2 | 2 | 2 | | | |
| 12 | Z401006000 | PERFIL AMORTIGUADOR | SHOCK ABSORBER PROFILE | 1 | 1 | 1 | 1 | 1 | | | |
| | Q242030000 | ARANDELA ABANICO A5 A.304 | FAN WASHER A5 A.304 | 2 | 2 | 2 | 2 | 2 | | | |
| | Q302022000 | ARANDELA 16x6x1,2 A304 | WASHER 16x6x1.2 A304 | 2 | 2 | 2 | 2 | 2 | | | |
| | Q032032000 | TORNILLO ALOMADO M5X15 | CURVED SCREW M5X15 | 2 | 2 | 2 | 2 | 2 | | | |
| 13 | Z401001000 | BOMBA LAVADO | WASH PUMP | 1 | 1 | 1 | 1 | 1 | | | |

| MOD. | | LAVAVASOS | | ZONA | CONJUNTO FUNCIONAL LAVADO | | | | | PLANO | C-2112 |
|------|------------|-------------------------------|----------------------------|--------|---------------------------|---------|--------|---------|--|-------|--------|
| ITEM | CODIGO | DENOMINACION | TEXTO | LVC-12 | LVC-15 | LVC-15D | LVC-21 | LVC-21D | | | NOTAS |
| 14 | Z400906000 | CODO IMPULSION 1003116 | IMPULSE ELBOW 1003116 | 1 | 1 | 1 | 1 | 1 | | | |
| | Q881307000 | ABRAZADERA 40-60 | CLAMP 40-60 | 2 | 2 | 2 | 2 | 2 | | | |
| 15 | Z410702000 | PASAMUROS CESTO CUADRADO | SQUARE BASKET WALL BUSHING | 1 | 1 | 1 | 1 | 1 | | | |
| | Q232030000 | ARANDELA A5 | WASHER A5 | 4 | 4 | 4 | 4 | 4 | | | |
| | Q262030000 | ARANDELA GROW. A5 A.304 | WASHER GROW. A5 A.304 | 4 | 4 | 4 | 4 | 4 | | | |
| | Q162030000 | TUERCA EXAGONAL M5 | HEXAGONAL NUT M5 | 4 | 4 | 4 | 4 | 4 | | | |
| 16 | Z400703000 | JUNTA ESTANQUE. 1003113 | SEAL. 1003113 | 2 | 2 | 2 | 2 | 2 | | | |
| 17 | Z410712000 | EMPALME ACLARADO | RINSE CONNECTION | 1 | 1 | 1 | 1 | 1 | | | |
| | Q307056000 | JUNTA TORICA 10,82x14,38x1,78 | O-RING 10.82x14.38x1.78 | 2 | 2 | 2 | 2 | 2 | | | |
| 18 | Z410701000 | SOPORTE INFERIOR CUADRO | LOWER SUPPORT BRACKET | 1 | 1 | 1 | 1 | 1 | | | |
| 19 | Z410708000 | EJE | SHAFT | 2 | 2 | 2 | 2 | 2 | | | |
| 20 | Z410711000 | ARBOL LAVADO | WASH CAM | 1 | 1 | 1 | - | - | | | |
| 20 | Z440711000 | ARBOL LAVADO | WASH CAM | - | - | - | 1 | 1 | | | |
| | Q881306000 | ABRAZADERA 32-50L | CLAMP 32-50L | 2 | 2 | 2 | 2 | 2 | | | |
| 21 | Q307052000 | JUNTA TORICA 50,17X60,83X5,3 | O-RING 50.17X60.83X5.3 | 1 | 1 | 1 | 1 | 1 | | | |
| 22 | Z410703000 | SOPORTE DISTRIB. SUPERIOR | UPPER DISTRIB. SUPPORT | 1 | 1 | 1 | 1 | 1 | | | |
| | Q232040000 | ARANDELA A6 | WASHER A6 | 4 | 4 | 4 | 4 | 4 | | | |
| | Q262040000 | ARANDELA GROW. A6 A.304 | WASHER GROW. A6 A.304 | 4 | 4 | 4 | 4 | 4 | | | |
| | Q162040000 | TUERCA EXAGONAL M6 | HEXAGONAL NUT M6 | 4 | 4 | 4 | 4 | 4 | | | |
| | | | | | | | | | | | |
| | | | | | | | | | | | |
| | | | | | | | | | | | |
| | | | | | | | | | | | |
| | | | | | | | | | | | |
| | | | | | | | | | | | |
| | | | | | | | | | | | |
| | | | | | | | | | | | |
| | | | | | | | | | | | |
| | | | | | | | | | | | |
| | | | | | | | | | | | |
| | | | | | | | | | | | |



ITEM MARCADO EN COLOR = REPUESTO RECOMENDADO
 COLOURED ITEM = RECOMMENDED SPARE PART

| | | | | | | |
|---------|--------------------|---------|-------------------------------|---------------------------|--------|---------------------------------------|
| N plano | Firma | Fecha | Aparato | CONJUNTO FUNCIONAL LAVADO | Lamina | Fagor Industrial S.Coop. FAGOR |
| C-2113 | <i>[Signature]</i> | 2009-10 | LAVAVASOS LVC-21B / 21C / 21W | 4 | Oñate | |

| MOD. | | LAVAVASOS | | ZONA | CONJUNTO FUNCIONAL LAVADO | | | PLANO | C-2113 | |
|------|------------|-------------------------------|----------------------------|---------|---------------------------|---------|--|-------|--------|-------|
| ITEM | CODIGO | DENOMINACION | TEXTO | LVC-21B | LVC-21C | LVC-21W | | | | NOTAS |
| 1 | Z440707000 | RAMA LAVADO B | WASH B BRANCH | 2 | 2 | 2 | | | | |
| | Z400709000 | TOBERA LAVADO | WASH NOZZLE | 6 | 6 | 6 | | | | |
| | Z400711000 | ENGANCHE TOBERA LAVADO | WASH NOZZLE CATCH | 6 | 6 | 6 | | | | |
| 2 | Z410704000 | CRUCETA | CROSSPIECE | 2 | 2 | 2 | | | | |
| | Q152016000 | TORNILLO ESPECIAL M.5X0.8 | SPECIAL BOLT M.5X0.8 | 2 | 2 | 2 | | | | |
| | Z410705000 | CASQUILLO CRUCETA | CROSSPIECE BUSHING | 4 | 4 | 4 | | | | |
| 3 | Z440706000 | RAMA LAVADO A | WASH BRANCH A | 2 | 2 | 2 | | | | |
| | Z400709000 | TOBERA LAVADO | WASH NOZZLE | 6 | 6 | 6 | | | | |
| | Z400711000 | ENGANCHE TOBERA LAVADO | WASH NOZZLE CATCH | 6 | 6 | 6 | | | | |
| 4 | Z400920000 | FILTRO ALTO | HIGH FILTER | 1 | 1 | 1 | | | | |
| 5 | Z400907000 | ALIVIADERO | OVERFLOW | 1 | 1 | 1 | | | | |
| 6 | Z400902000 | JUNTA CUBETA | TRAY SEAL | 1 | 1 | 1 | | | | |
| 7 | Z400901000 | CUBETA | TRAY | 1 | 1 | 1 | | | | |
| | Z400903000 | ABRAZADERA CUBETA | TRAY CLAMP | 1 | 1 | 1 | | | | |
| 8 | Z230905000 | PASAMUROS INOX DETERGENTE | INOX DETERGENT WALL BUSHIN | 1 | 2 | 1 | | | | |
| | P102154000 | BRIDA ELASTICA TUBO | ELASTIC PIPE FLANGE | 2 | 2 | 2 | | | | |
| | 3702400000 | TUBO GOMA NEGRO D 8*4 | BLACK RUBBER PIPE Ø 8*4 | 1 | 1 | 1 | | | | |
| 9 | Z220903000 | MANGUERA DESAGÜE | DRAINAGE HOSE | 1 | 1 | 1 | | | | |
| | Q901307000 | ABRAZADERA ELASTICA 37.7-39.7 | ELASTIC CLAMP 37.7-39.7 | 1 | 1 | 1 | | | | |
| 10 | Z220901000 | BOMBA DESAGUE 30W | DRAINAGE PUMP 30W | 1 | 1 | — | | | | |
| 10 | Z223501000 | BOMBA DE DESAGUE 30W 60HZ | DRAINAGE PUMP 30W 60HZ | 1 | 1 | 1 | | | | |
| | Z430902000 | SOPORTE BOMBA DESAGUE B | DRAINAGE PUMP SUPPORT B | 1 | 1 | 1 | | | | |
| | Q012031000 | TORNILLO EXAGONAL M5X10 | HEXAGONAL BOLT M5x10 | 4 | 4 | 4 | | | | |
| | Q242030000 | ARANDELA ABANICO A5 A.304 | FAN WASHER A5 A.304 | 4 | 4 | 4 | | | | |
| 11 | Z430901000 | ACUMULADOR 1503114 | ACCUMULATOR 1503114 | 1 | 1 | 1 | | | | |
| | Q901307000 | ABRAZADERA ELASTICA 37.7-39.7 | ELASTIC CLAMP 37.7-39.7 | 2 | 2 | 2 | | | | |
| 12 | Z400905000 | CODO ASPIRACION 1003115 | EXTRACTOR ELBOW 1003115 | 1 | 1 | 1 | | | | |
| | Q881307000 | ABRAZADERA 40-60 | CLAMP 40-60 | 2 | 2 | 2 | | | | |
| 13 | Z401004000 | AMARRE MOTOBOMBA | MOTORPUMP FASTENING | 1 | 1 | 1 | | | | |
| | | | | | | | | | | |
| | | | | | | | | | | |

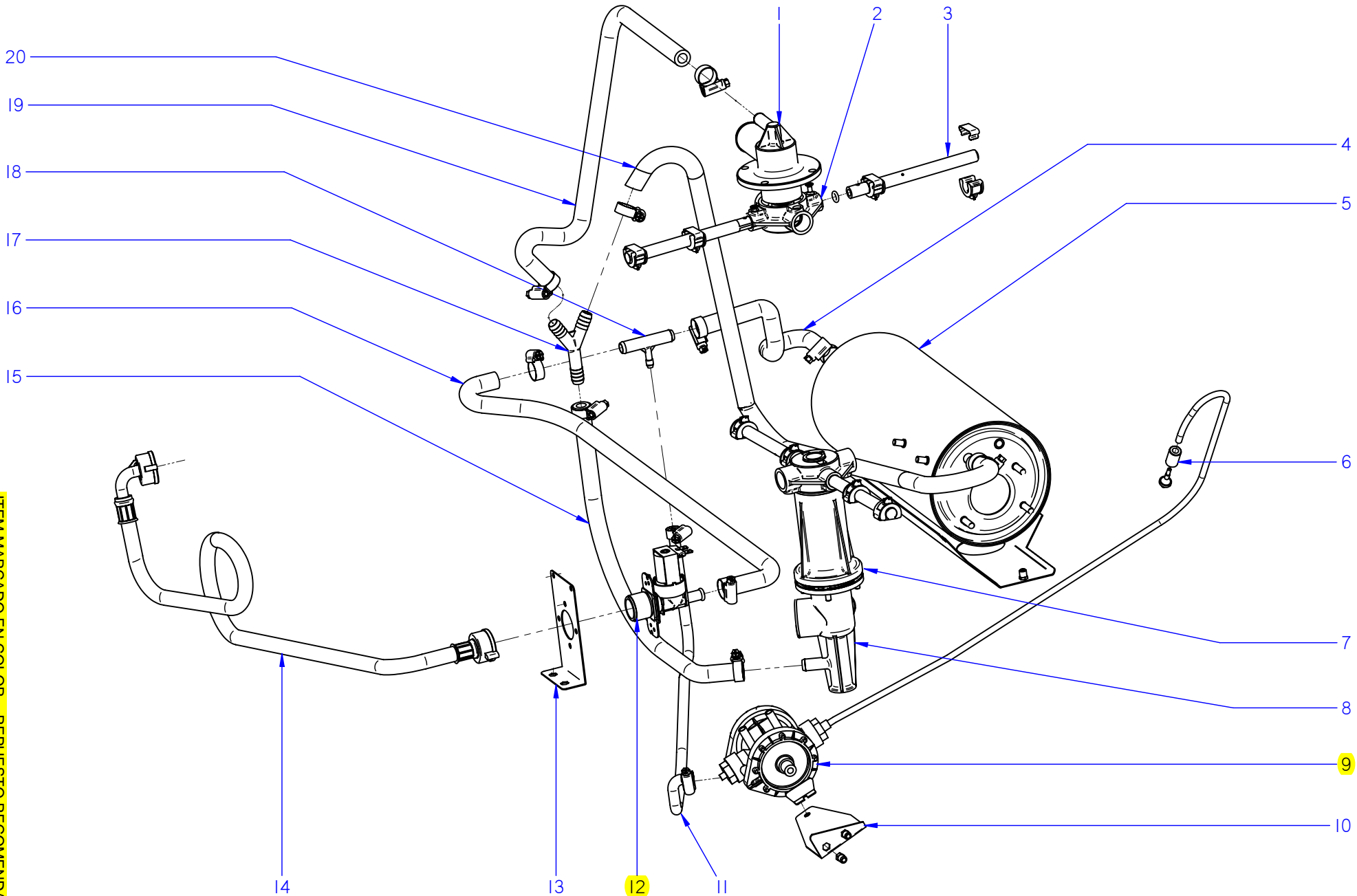
| MOD. | | LAVAVASOS | | ZONA | CONJUNTO FUNCIONAL LAVADO | | | PLANO | C-2113 | |
|------|------------|-------------------------------|------------------------------|---------|---------------------------|---------|--|-------|--------|-------|
| ITEM | CODIGO | DENOMINACION | TEXTO | LVC-21B | LVC-21C | LVC-21W | | | | NOTAS |
| 14 | Z421002000 | SOPORTE MOTOBOMBA | MOTOR PUMP SUPPORT | 1 | 1 | 1 | | | | |
| | Q152004000 | TORNILLO APLASTADO M5x13 A304 | FLAT HEADED BOLT M5x13 A304 | 2 | 2 | 2 | | | | |
| | Q242030000 | ARANDELA ABANICO A5 A.304 | FAN WASHER A5 A.304 | 2 | 2 | 2 | | | | |
| 15 | Z401006000 | PERFIL AMORTIGUADOR | SHOCK ABSORBER PROFILE | 1 | 1 | 1 | | | | |
| | Q242030000 | ARANDELA ABANICO A5 A.304 | FAN WASHER A5 A.304 | 2 | 2 | 2 | | | | |
| | Q302022000 | ARANDELA 16x6x1,2 A304 | WASHER 16x6x1.2 A304 | 2 | 2 | 2 | | | | |
| | Q032032000 | TORNILLO ALOMADO M5X15 | CURVED SCREW M5X15 | 2 | 2 | 2 | | | | |
| 16 | Z401001000 | BOMBA LAVADO | WASH PUMP | 1 | 1 | 1 | | | | |
| 17 | Z400906000 | CODO IMPULSION 1003116 | IMPULSE ELBOW 1003116 | 1 | 1 | 1 | | | | |
| | Q881307000 | ABRAZADERA 40-60 | CLAMP 40-60 | 2 | 2 | 2 | | | | |
| 18 | Z208909000 | SOPORTE DOSIF. DETERGENTE | DETERGENT DISP. SUPPORT | - | 1 | 1 | | | | |
| | Q419005000 | REMACHE 4X8 ALMG3 / ALUMINIO | RIVET 4X8 ALMG3 / ALUMINIUM | - | 2 | 2 | | | | |
| 19 | Z208903000 | DOSIFIC. DGTE REGULABLE G300 | DETERGENT DISP. ADJUST. G300 | - | 1 | 1 | | | | |
| | Q012031000 | TORNIL. EXAGONAL M5X10 A.304 | HEX BOLT M5X10 A.304 | - | 2 | 2 | | | | |
| | Q232030000 | ARANDELA A5 | WASHER A5 | - | 2 | 2 | | | | |
| 20 | Z701152000 | PESO FILTRO | FILTER WEIGHT | - | 1 | 1 | | | | |
| 21 | Z448614000 | CONDUCTO ASPIRACION | EXTRACTOR PIPE | - | 1 | 1 | | | | |
| 22 | Z208914000 | PASAMUROS INOX DETERGENTE | INOX DETERGENT WALL BUSHING | - | 1 | 1 | | | | |
| | Q306024000 | JUNTA Ø18X12.5X1.5 | SEAL Ø18X12.5X1.5 | - | 1 | 1 | | | | |
| | Q162070000 | TUERCA EXAGONAL M12 | HEXAGONAL NUT M12 | - | 1 | 1 | | | | |
| S/Nº | Z208904000 | CABLEADO DOSIFICADOR DTGTE. | DETERGENT DISP. WIRING | - | 1 | 1 | | | | |
| 23 | Z410702000 | PASAMUROS CESTO CUADRADO | SQUARE BASKET WALL BUSHING | 1 | 1 | 1 | | | | |
| | Q232030000 | ARANDELA A5 | WASHER A5 | 4 | 4 | 4 | | | | |
| | Q262030000 | ARANDELA GROW. A5 A.304 | WASHER GROW. A5 A.304 | 4 | 4 | 4 | | | | |
| | Q162030000 | TUERCA EXAGONAL M5 | HEXAGONAL NUT M5 | 4 | 4 | 4 | | | | |
| 24 | Z400703000 | JUNTA ESTANQUE. 1003113 | SEAL. 1003113 | 2 | 2 | 2 | | | | |
| 25 | Z410712000 | EMPALME ACLARADO | RINSE CONNECTION | 1 | 1 | 1 | | | | |
| | Q307056000 | JUNTA TORICA 10,82x14,38x1,78 | O-RING 10.82x14.38x1.78 | 2 | 2 | 2 | | | | |
| 26 | Z410701000 | SOPORTE INFERIOR CUADRO | LOWER SUPPORT BRACKET | 1 | 1 | 1 | | | | |
| 27 | Z410708000 | EJE | SHAFT | 2 | 2 | 2 | | | | |

| | | | | | |
|------|-----------|------|---------------------------|-------|--------|
| MOD. | LAVAVASOS | ZONA | CONJUNTO FUNCIONAL LAVADO | PLANO | C-2113 |
|------|-----------|------|---------------------------|-------|--------|

| ITEM | CODIGO | DENOMINACION | TEXTO | LVC-21B | LVC-21C | LVC-21W | | | | | | NOTAS |
|------|------------|------------------------------|------------------------|---------|---------|---------|--|--|--|--|--|-------|
| 28 | Z440711000 | ARBOL LAVADO | WASH CAM | 1 | 1 | 1 | | | | | | |
| | Q881306000 | ABRAZADERA 32-50L | CLAMP 32-50L | 2 | 2 | 2 | | | | | | |
| 29 | Q307052000 | JUNTA TORICA 50,17X60,83X5,3 | O-RING 50.17X60.83X5.3 | 1 | 1 | 1 | | | | | | |
| 30 | Z410703000 | SOPORTE DISTRIB. SUPERIOR | UPPER DISTRIB. SUPPORT | 1 | 1 | 1 | | | | | | |
| | Q232040000 | ARANDELA A6 | WASHER A6 | 4 | 4 | 4 | | | | | | |
| | Q262040000 | ARANDELA GROW. A6 A.304 | WASHER GROW. A6 A.304 | 4 | 4 | 4 | | | | | | |
| | Q162040000 | TUERCA EXAGONAL M6 | HEXAGONAL NUT M6 | 4 | 4 | 4 | | | | | | |
| | | | | | | | | | | | | |
| | | | | | | | | | | | | |
| | | | | | | | | | | | | |
| | | | | | | | | | | | | |
| | | | | | | | | | | | | |
| | | | | | | | | | | | | |
| | | | | | | | | | | | | |
| | | | | | | | | | | | | |
| | | | | | | | | | | | | |
| | | | | | | | | | | | | |
| | | | | | | | | | | | | |
| | | | | | | | | | | | | |
| | | | | | | | | | | | | |
| | | | | | | | | | | | | |
| | | | | | | | | | | | | |
| | | | | | | | | | | | | |
| | | | | | | | | | | | | |
| | | | | | | | | | | | | |
| | | | | | | | | | | | | |
| | | | | | | | | | | | | |

| | |
|---------------------------|---|
| N plano | C-2114 |
| Firma | |
| Fecha | 2009-10 |
| Aparato | CONJUNTO FUNCIONAL ACLARADO LAVAVASOS LVC-12 |
| Lamina | 5 |
| Fogor Industrial S. Coop. | |
| Omate | |

ITEM MARCADO EN COLOR = REPUESTO RECOMENDADO
COLOURED ITEM = RECOMMENDED SPARE PART

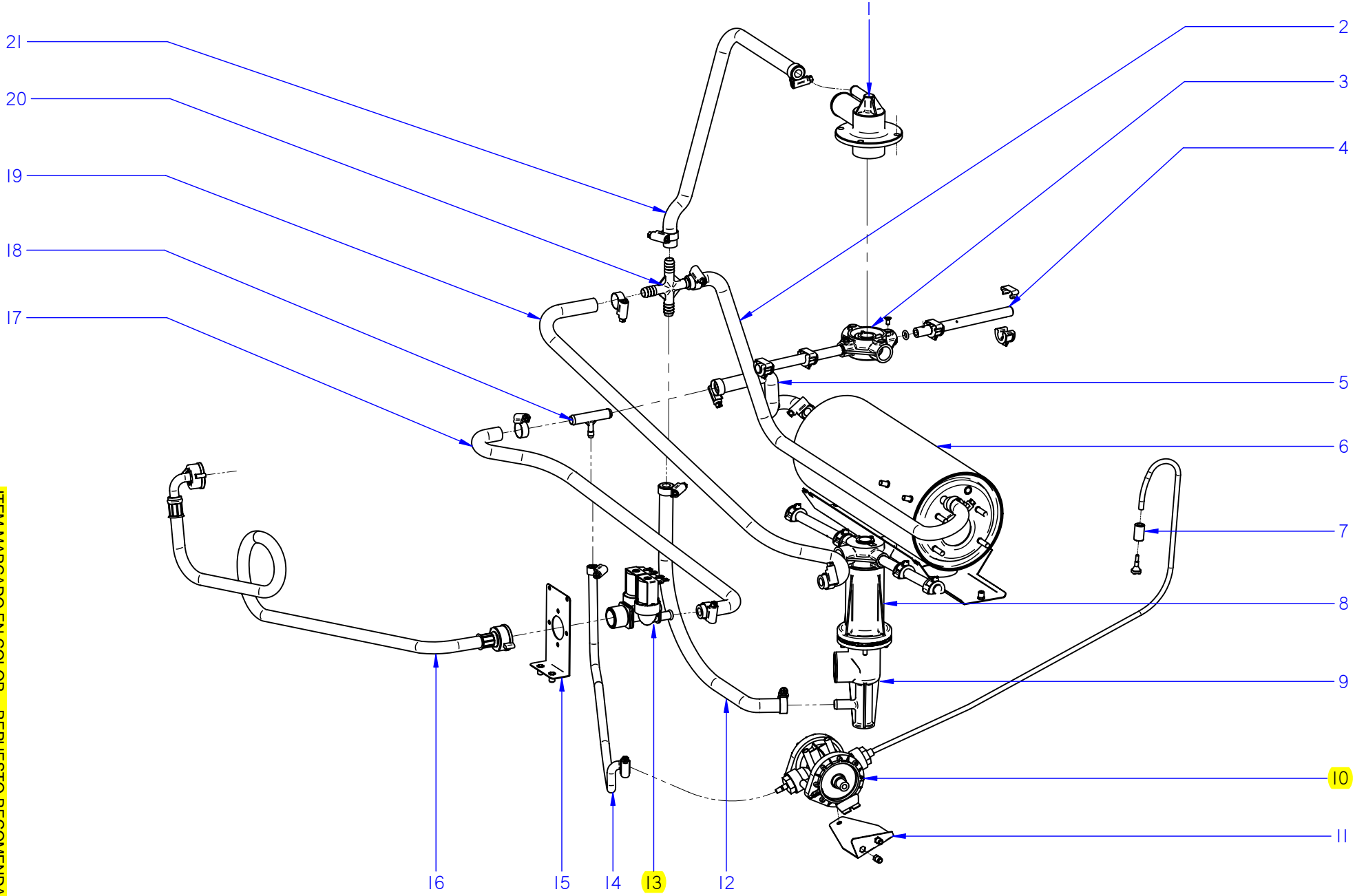


| MOD. | | LAVAVASOS | | ZONA | CONJUNTO FUNCIONAL ACLARADO | | | | | PLANO | C-2114 |
|------|------------|---------------------------------|-------------------------------|--------|-----------------------------|--|--|--|--|-------|--------|
| ITEM | CODIGO | DENOMINACION | TEXTO | LVC-12 | | | | | | | NOTAS |
| 1 | Z410703000 | SOPORTE DISTRIBUIDOR SUPER. | UPPER DISTRIBUTION SUPPORT | 1 | | | | | | | |
| | Q232040000 | ARANDELA A6 | WASHER A6 | 4 | | | | | | | |
| | Q262040000 | ARANDELA GROW. A6 A.304 | WASHER GROW. A6 A.304 | 4 | | | | | | | |
| | Q162040000 | TUERCA EXAGONAL M6 | HEXAGONAL NUT M6 | 4 | | | | | | | |
| 2 | Z410704000 | CRUCETA | CROSSPIECE | 2 | | | | | | | |
| | Q152016000 | TORNILLO ESPECIAL M.5X0.8 | SPECIAL BOLT M.5X0.8 | 2 | | | | | | | |
| | Z410705000 | CASQUILLO CRUCETA | CROSSPIECE BUSHING | 4 | | | | | | | |
| 3 | Z461901000 | RAMA ACLARADO B | RINSE BRANCH B | 2 | | | | | | | |
| S/Nº | Z461902000 | RAMA ACLARADO A | RINSE BRANCH A | 2 | | | | | | | |
| | Z201905000 | TOBERA ACLARADO | RINSE NOZZLE | 8 | | | | | | | |
| | Z201906000 | ENGANCHE TOB. ACLA.19728 | NOZZLE LATCH RINSE.19728 | 8 | | | | | | | |
| | Q307036000 | JUNTA TORICA 5,28X8,84X1,78 | O-RING 5.28X8.84X1.78 | 8 | | | | | | | |
| | Q042021000 | TORNILL. AVELLANADO M4X10 A304 | COUNTERSUNK BOLT M4X10 A304 | 4 | | | | | | | |
| 4 | 3676900000 | TUBO GOMA NEGRA Ø17*10 | BLACK RUBBER PIPE Ø17*10 | 1 | | | | | | | |
| | Q881302000 | ABRAZADERA 12/20 | CLAMP 12/20 | 2 | | | | | | | |
| 5 | Z401730000 | CALDERIN LAVAVASOS 10-2 | GLASSWASHER BOILER 10-2 | 1 | | | | | | | |
| 6 | Z701152000 | PESO FILTRO | FILTER WEIGHT | 1 | | | | | | | |
| 7 | Z410701000 | SOPORTE INFERIOR CUADRO | LOWER SUPPORT BRACKET | 1 | | | | | | | |
| 8 | Z410702000 | PASAMUROS CESTO CUADRADO | SQUARE BASKET WALL BUSHING | 1 | | | | | | | |
| | Q232030000 | ARANDELA A5 | WASHER A5 | 4 | | | | | | | |
| | Q262030000 | ARANDELA GROW. A5 A.304 | WASHER GROW. A5 A.304 | 4 | | | | | | | |
| | Q162030000 | TUERCA EXAGONAL M5 | HEXAGONAL NUT M5 | 4 | | | | | | | |
| 9 | Z211109000 | DOSIFICADOR TENSOACTIVO N-6 | SURFACE ACT. DISP. N-6 | 1 | | | | | | | |
| S/Nº | Z448618000 | CONDUCTO ABRILLANTADOR | POLISH DUCT | 1 | | | | | | | |
| 10 | Z401116000 | SOPORTE DOSIFICADOR | DISPENSER SUPPORT | 1 | | | | | | | |
| | Q242030000 | ARANDELA ABANICO A5 A.304 | FAN WASHER A5 A.304 | 4 | | | | | | | |
| | Q152004000 | TORNILLO APLASTADO M5x13 A304 | FLAT HEADED BOLT M5x13 A304 | 2 | | | | | | | |
| 11 | 3704000000 | TUBO GOMA NEGRA Ø10,5*5 | BLACK RUBBER PIPE Ø10,5*5 | 1 | | | | | | | |
| | Q881308000 | ABRAZADERA 8/14 | CLAMP 8/14 | 2 | | | | | | | |
| 12 | Z701135000 | ELECTROVALV. SIMP. 220V 255.208 | SIMP. SOLENOID VALVE 220V 255 | 1 | | | | | | | |
| | | | | | | | | | | | |

| MOD. | | LAVAVASOS | ZONA | CONJUNTO FUNCIONAL ACLARADO | PLANO | C-2114 | | | | | | |
|------|------------|-------------------------------|-----------------------------|-----------------------------|-------|--------|--|--|--|--|--|-------|
| ITEM | CODIGO | DENOMINACION | TEXTO | LVC-12 | | | | | | | | NOTAS |
| 13 | Z401111000 | SOPORTE ELECTROVALVULA | SOLENOID VLVE SUPPORT | 1 | | | | | | | | |
| | Q242030000 | ARANDELA ABANICO A5 A.304 | FAN WASHER A5 A.304 | 6 | | | | | | | | |
| | Q152004000 | TORNILLO APLASTADO M5x13 A304 | FLAT HEADED BOLT M5x13 A304 | 4 | | | | | | | | |
| | Q152024000 | TORNILLO AVELLANADO M4X8 A304 | COUNTERSUNK BOLT M4X8 A304 | 2 | | | | | | | | |
| | Q012031000 | TORNILLO EXAGONAL M5X10 | HEXAGONAL BOLT M5x10 | 2 | | | | | | | | |
| | Q162030000 | TUERCA EXAGONAL M5 | HEXAGONAL NUT M5 | 2 | | | | | | | | |
| 14 | Z601114000 | MANGUERA ENTRADA AGUA | WATER INTAKE HOSE | 1 | | | | | | | | |
| 15 | 3676900000 | TUBO GOMA NEGRA Ø17*10 | BLACK RUBBER PIPE Ø17*10 | 1 | | | | | | | | |
| | Q881302000 | ABRAZADERA 12/20 | CLAMP 12/20 | 2 | | | | | | | | |
| 16 | 3676900000 | TUBO GOMA NEGRA Ø17*10 | BLACK RUBBER PIPE Ø17*10 | 1 | | | | | | | | |
| | Q881302000 | ABRAZADERA 12/20 | CLAMP 12/20 | 2 | | | | | | | | |
| 17 | Z201106000 | RACORD EN Y | Y-CONNECTION | 1 | | | | | | | | |
| 18 | Z601157000 | TOMA PRESION | PRESSURE INTAKE | 1 | | | | | | | | |
| 19 | 3676900000 | TUBO GOMA NEGRA Ø17*10 | BLACK RUBBER PIPE Ø17*10 | 1 | | | | | | | | |
| | Q881302000 | ABRAZADERA 12/20 | CLAMP 12/20 | 2 | | | | | | | | |
| 20 | 3676900000 | TUBO GOMA NEGRA Ø17*10 | BLACK RUBBER PIPE Ø17*10 | 1 | | | | | | | | |
| | Q881302000 | ABRAZADERA 12/20 | CLAMP 12/20 | 2 | | | | | | | | |
| | | | | | | | | | | | | |
| | | | | | | | | | | | | |
| | | | | | | | | | | | | |
| | | | | | | | | | | | | |
| | | | | | | | | | | | | |
| | | | | | | | | | | | | |
| | | | | | | | | | | | | |
| | | | | | | | | | | | | |
| | | | | | | | | | | | | |
| | | | | | | | | | | | | |
| | | | | | | | | | | | | |
| | | | | | | | | | | | | |
| | | | | | | | | | | | | |
| | | | | | | | | | | | | |
| | | | | | | | | | | | | |
| | | | | | | | | | | | | |
| | | | | | | | | | | | | |
| | | | | | | | | | | | | |
| | | | | | | | | | | | | |
| | | | | | | | | | | | | |
| | | | | | | | | | | | | |
| | | | | | | | | | | | | |
| | | | | | | | | | | | | |
| | | | | | | | | | | | | |
| | | | | | | | | | | | | |
| | | | | | | | | | | | | |
| | | | | | | | | | | | | |
| | | | | | | | | | | | | |
| | | | | | | | | | | | | |
| | | | | | | | | | | | | |
| | | | | | | | | | | | | |
| | | | | | | | | | | | | |
| | | | | | | | | | | | | |
| | | | | | | | | | | | | |
| | | | | | | | | | | | | |
| | | | | | | | | | | | | |
| | | | | | | | | | | | | |
| | | | | | | | | | | | | |
| | | | | | | | | | | | | |
| | | | | | | | | | | | | |
| | | | | | | | | | | | | |
| | | | | | | | | | | | | |
| | | | | | | | | | | | | |
| | | | | | | | | | | | | |
| | | | | | | | | | | | | |
| | | | | | | | | | | | | |
| | | | | | | | | | | | | |
| | | | | | | | | | | | | |

CONJUNTO FUNCIONAL ACLARADO

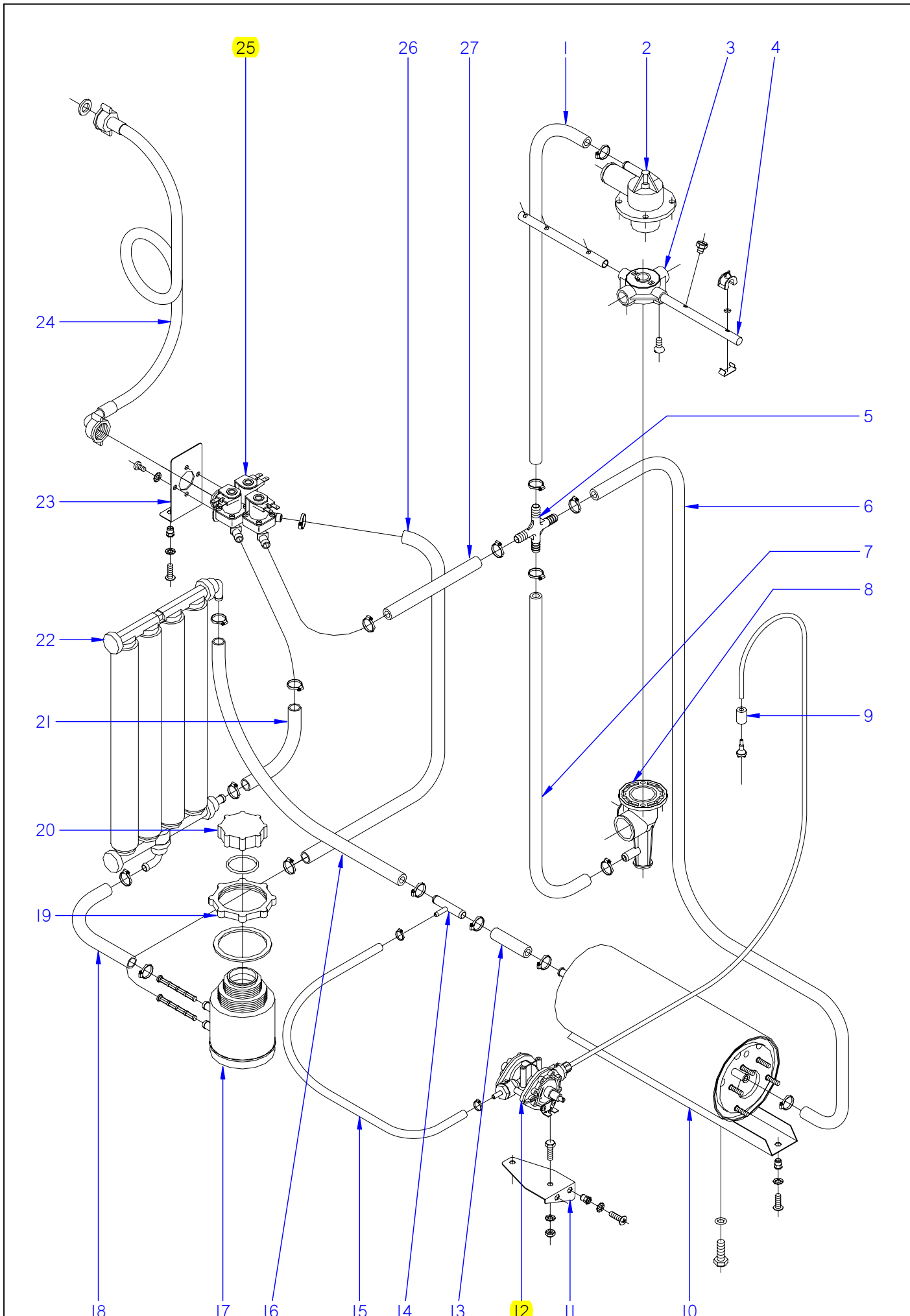
ITEM MARCADO EN COLOR = REPUESTO RECOMENDADO
 COLOURED ITEM = RECOMMENDED SPARE PART



| MOD. | | LAVAVASOS | | ZONA | CONJUNTO FUNCIONAL ACLARADO | | | PLANO | C-2115 | |
|------|------------|--------------------------------|-----------------------------|--------|-----------------------------|---------|--|-------|--------|-------|
| ITEM | CODIGO | DENOMINACION | TEXTO | LVC-15 | LVC-21 | LVC-21B | | | | NOTAS |
| 1 | Z410703000 | SOPORTE DISTRIBUIDOR SUPER. | UPPER DISTRIBUTION SUPPORT | 1 | 1 | 1 | | | | |
| | Q232040000 | ARANDELA A6 | WASHER A6 | 4 | 4 | 4 | | | | |
| | Q262040000 | ARANDELA GROW. A6 A.304 | WASHER GROW. A6 A.304 | 4 | 4 | 4 | | | | |
| | Q162040000 | TUERCA EXAGONAL M6 | HEXAGONAL NUT M6 | 4 | 4 | 4 | | | | |
| 2 | 3676900000 | TUBO GOMA NEGRA Ø17*10 | BLACK RUBBER PIPE Ø17*10 | 1 | 1 | 1 | | | | |
| | Q881302000 | ABRAZADERA 12/20 | CLAMP 12/20 | 2 | 2 | 2 | | | | |
| 3 | Z410704000 | CRUCETA | CROSSPIECE | 2 | 2 | 2 | | | | |
| | Q152016000 | TORNILLO ESPECIAL M.5X0.8 | SPECIAL BOLT M.5X0.8 | 2 | 2 | 2 | | | | |
| | Z410705000 | CASQUILLO CRUCETA | CROSSPIECE BUSHING | 4 | 4 | 4 | | | | |
| 4 | Z461901000 | RAMA ACLARADO B | RINSE BRANCH B | 2 | - | - | | | | |
| 4 | Z441902000 | RAMA ACLARADO B | RINSE BRANCH B | - | 2 | 2 | | | | |
| S/Nº | Z461902000 | RAMA ACLARADO A | RINSE BRANCH A | 2 | - | - | | | | |
| S/Nº | Z441901000 | RAMA ACLARADO A | RINSE BRANCH A | - | 2 | 2 | | | | |
| | Z201905000 | TOBERA ACLARADO | RINSE NOZZLE | 8 | - | - | | | | |
| | Z211903000 | TOBERA ACLARADO | RINSE NOZZLE | - | 10 | 10 | | | | |
| | Z201906000 | ENGANCHE TOB. ACLA.19728 | NOZZLE LATCH RINSE.19728 | 8 | - | - | | | | |
| | Q307036000 | JUNTA TORICA 5,28X8,84X1,78 | O-RING 5.28X8.84X1.78 | 8 | - | - | | | | |
| | Q042021000 | TORNILL. AVELLANADO M4X10 A304 | COUNTERSUNK BOLT M4X10 A304 | 4 | 4 | 4 | | | | |
| 5 | 3676900000 | TUBO GOMA NEGRA Ø17*10 | BLACK RUBBER PIPE Ø17*10 | 1 | 1 | 1 | | | | |
| | Q881302000 | ABRAZADERA 12/20 | CLAMP 12/20 | 2 | 2 | 2 | | | | |
| 6 | Z401730000 | CALDERIN LAVAVASOS 10-2 | GLASSWASHER BOILER 10-2 | 1 | 1 | 1 | | | | |
| 7 | Z701152000 | PESO FILTRO | FILTER WEIGHT | 1 | 1 | 1 | | | | |
| 8 | Z410701000 | SOPORTE INFERIOR CUADRO | LOWER SUPPORT BRACKET | 1 | 1 | 1 | | | | |
| 9 | Z410702000 | PASAMUROS CESTO CUADRADO | SQUARE BASKET WALL BUSHING | 1 | 1 | 1 | | | | |
| | Q232030000 | ARANDELA A5 | WASHER A5 | 4 | 4 | 4 | | | | |
| | Q262030000 | ARANDELA GROW. A5 A.304 | WASHER GROW. A5 A.304 | 4 | 4 | 4 | | | | |
| | Q162030000 | TUERCA EXAGONAL M5 | HEXAGONAL NUT M5 | 4 | 4 | 4 | | | | |
| 10 | Z211109000 | DOSIFICADOR TENSOACTIVO N-6 | SURFACE ACT. DISP. N-6 | 1 | 1 | 1 | | | | |
| S/Nº | Z448618000 | CONDUCTO ABRILLANTADOR | POLISH DUCT | 1 | 1 | 1 | | | | |
| | | | | | | | | | | |
| | | | | | | | | | | |

| | | | | | |
|------|-----------|------|-----------------------------|-------|--------|
| MOD. | LAVAVASOS | ZONA | CONJUNTO FUNCIONAL ACLARADO | PLANO | C-2115 |
|------|-----------|------|-----------------------------|-------|--------|

| ITEM | CODIGO | DENOMINACION | TEXTO | LVC-15 | LVC-21 | LVC-21B | | | | | NOTAS |
|------|------------|-------------------------------|-----------------------------|--------|--------|---------|--|--|--|--|-------|
| 11 | Z401116000 | SOPORTE DOSIFICADOR | DISPENSER SUPPORT | 1 | 1 | 1 | | | | | |
| | Q242030000 | ARANDELA ABANICO A5 A.304 | FAN WASHER A5 A.304 | 4 | 4 | 4 | | | | | |
| | Q152004000 | TORNILLO APLASTADO M5x13 A304 | FLAT HEADED BOLT M5x13 A304 | 2 | 2 | 2 | | | | | |
| 12 | 3676900000 | TUBO GOMA NEGRA Ø17*10 | BLACK RUBBER PIPE Ø17*10 | 1 | 1 | 1 | | | | | |
| | Q881302000 | ABRAZADERA 12/20 | CLAMP 12/20 | 2 | 2 | 2 | | | | | |
| 13 | P255001000 | ELECTROVALVULA DOBLE | DOUBLE SOLENOID VALVE | 1 | 1 | 1 | | | | | |
| 14 | 3704000000 | TUBO GOMA NEGRA Ø10,5*5 | BLACK RUBBER PIPE Ø10,5*5 | 1 | 1 | 1 | | | | | |
| | Q881308000 | ABRAZADERA 8/14 | CLAMP 8/14 | 2 | 2 | 2 | | | | | |
| 15 | Z401111000 | SOPORTE ELECTROVALVULA | SOLENOID VLVE SUPPORT | 1 | 1 | - | | | | | |
| | Q242030000 | ARANDELA ABANICO A5 A.304 | FAN WASHER A5 A.304 | 2 | 2 | - | | | | | |
| | Q152004000 | TORNILLO APLASTADO M5x13 A304 | FLAT HEADED BOLT M5x13 A304 | 2 | 2 | - | | | | | |
| | Q152024000 | TORNILLO AVELLANADO M4X8 A304 | COUNTERSUNK BOLT M4X8 A304 | 2 | 2 | - | | | | | |
| 16 | Z601114000 | MANGUERA ENTRADA AGUA | WATER INTAKE HOSE | 1 | 1 | 1 | | | | | |
| 17 | 3676900000 | TUBO GOMA NEGRA Ø17*10 | BLACK RUBBER PIPE Ø17*10 | 1 | 1 | 1 | | | | | |
| | Q881302000 | ABRAZADERA 12/20 | CLAMP 12/20 | 2 | 2 | 2 | | | | | |
| 18 | Z601157000 | TOMA PRESION | PRESSURE INTAKE | 1 | 1 | 1 | | | | | |
| 19 | 3676900000 | TUBO GOMA NEGRA Ø17*10 | BLACK RUBBER PIPE Ø17*10 | 1 | 1 | 1 | | | | | |
| | Q881302000 | ABRAZADERA 12/20 | CLAMP 12/20 | 2 | 2 | 2 | | | | | |
| 20 | Z401108000 | RACORD EN CRUZ | DIAGONAL CONNECTION | 1 | 1 | 1 | | | | | |
| 21 | 3676900000 | TUBO GOMA NEGRA Ø17*10 | BLACK RUBBER PIPE Ø17*10 | 1 | 1 | 1 | | | | | |
| | Q881302000 | ABRAZADERA 12/20 | CLAMP 12/20 | 2 | 2 | 2 | | | | | |
| | | | | | | | | | | | |
| | | | | | | | | | | | |
| | | | | | | | | | | | |
| | | | | | | | | | | | |
| | | | | | | | | | | | |
| | | | | | | | | | | | |
| | | | | | | | | | | | |
| | | | | | | | | | | | |
| | | | | | | | | | | | |



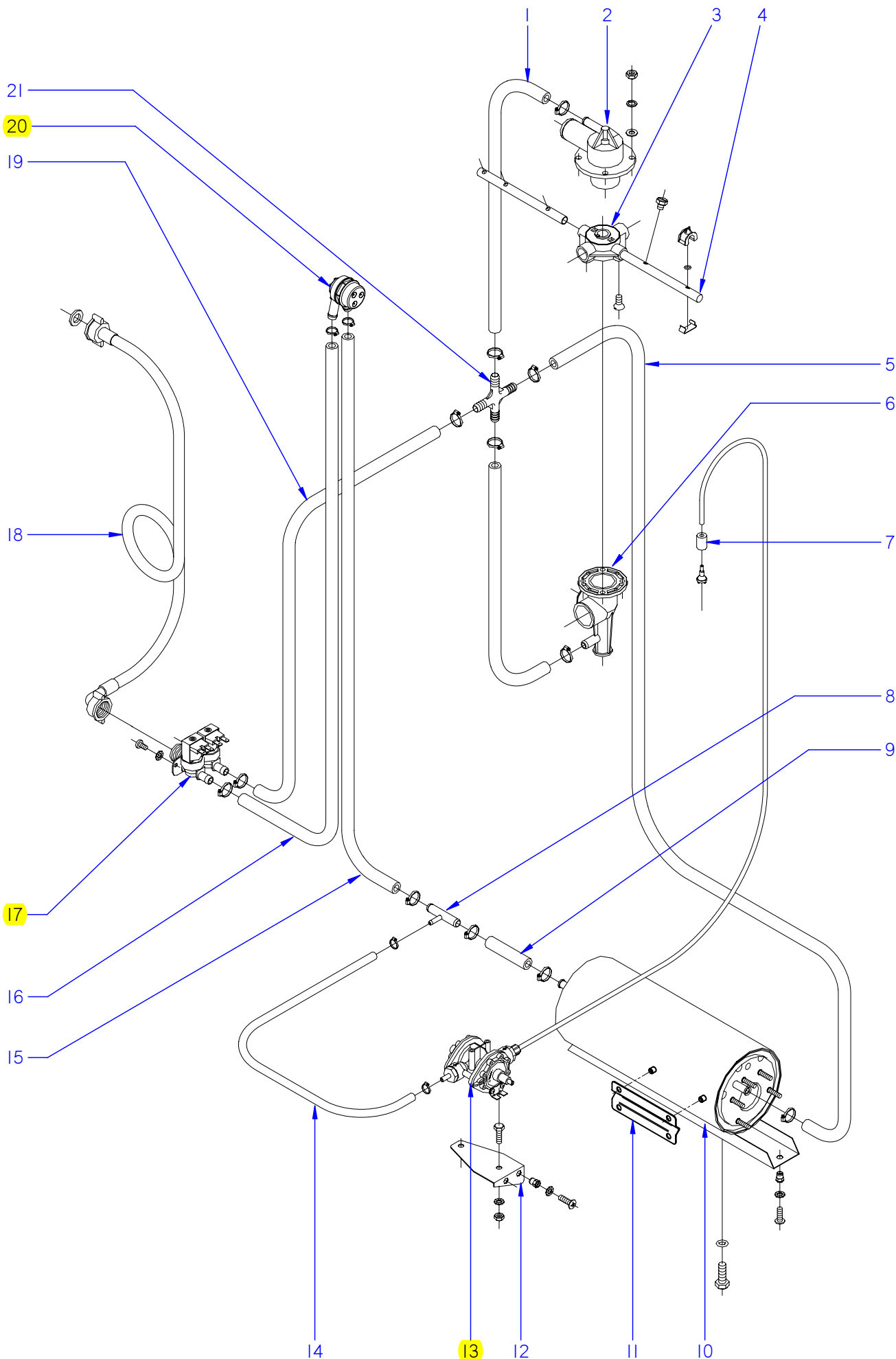
ITEM MARCADO EN COLOR = REPUESTO RECOMENDADO
 COLOURED ITEM = RECOMMENDED SPARE PART

| | | | | | | |
|---------|--------------------|---------|-----------------------------|-----------------------------|--------|---------------------------------------|
| N plano | Firma | Fecha | Aparato | CONJUNTO FUNCIONAL ACLARADO | Lamina | Fagor Industrial S.Coop. FAGOR |
| C-2116 | <i>[Signature]</i> | 2009-10 | LAVAVASOS LVC-15D / LVC-21D | | 7 | Oñate |

| MOD. | | LAVAVASOS | | ZONA | CONJUNTO FUNCIONAL ACLARADO | | | | PLANO | C-2116 |
|------|------------|--------------------------------|-----------------------------|---------|-----------------------------|--|--|--|-------|--------|
| ITEM | CODIGO | DENOMINACION | TEXTO | LVC-15D | LVC-21D | | | | | NOTAS |
| 1 | 3676900000 | TUBO GOMA NEGRA Ø17*10 | BLACK RUBBER PIPE Ø17*10 | 1 | 1 | | | | | |
| | Q881302000 | ABRAZADERA 12/20 | CLAMP 12/20 | 2 | 2 | | | | | |
| 2 | Z410703000 | SOPORTE DISTRIBUIDOR SUPER. | UPPER DISTRIBUTION SUPPORT | 1 | 1 | | | | | |
| | Q232040000 | ARANDELA A6 | WASHER A6 | 4 | 4 | | | | | |
| | Q262040000 | ARANDELA GROW. A6 A.304 | WASHER GROW. A6 A.304 | 4 | 4 | | | | | |
| | Q162040000 | TUERCA EXAGONAL M6 | HEXAGONAL NUT M6 | 4 | 4 | | | | | |
| 3 | Z410704000 | CRUCETA | CROSSPIECE | 2 | 2 | | | | | |
| | Q152016000 | TORNILLO ESPECIAL M.5X0.8 | SPECIAL BOLT M.5X0.8 | 2 | 2 | | | | | |
| | Z410705000 | CASQUILLO CRUCETA | CROSSPIECE BUSHING | 4 | 4 | | | | | |
| 4 | Z461901000 | RAMA ACLARADO B | RINSE BRANCH B | 2 | - | | | | | |
| 4 | Z441902000 | RAMA ACLARADO B | RINSE BRANCH B | - | 2 | | | | | |
| S/Nº | Z461902000 | RAMA ACLARADO A | RINSE BRANCH A | 2 | - | | | | | |
| S/Nº | Z441901000 | RAMA ACLARADO A | RINSE BRANCH A | - | 2 | | | | | |
| | Z201905000 | TOBERA ACLARADO | RINSE NOZZLE | 8 | - | | | | | |
| | Z211903000 | TOBERA ACLARADO | RINSE NOZZLE | - | 10 | | | | | |
| | Z201906000 | ENGANCHE TOB. ACLA.19728 | NOZZLE LATCH RINSE.19728 | 8 | - | | | | | |
| | Q307036000 | JUNTA TORICA 5,28X8,84X1,78 | O-RING 5.28X8.84X1.78 | 8 | - | | | | | |
| | Q042021000 | TORNILL. AVELLANADO M4X10 A304 | COUNTERSUNK BOLT M4X10 A304 | 4 | 4 | | | | | |
| 5 | Z401108000 | RACORD EN CRUZ | DIAGONAL CONNECTION | 1 | 1 | | | | | |
| 6 | 3676900000 | TUBO GOMA NEGRA Ø17*10 | BLACK RUBBER PIPE Ø17*10 | 1 | 1 | | | | | |
| | Q881302000 | ABRAZADERA 12/20 | CLAMP 12/20 | 2 | 2 | | | | | |
| 7 | 3676900000 | TUBO GOMA NEGRA Ø17*10 | BLACK RUBBER PIPE Ø17*10 | 1 | 1 | | | | | |
| | Q881302000 | ABRAZADERA 12/20 | CLAMP 12/20 | 2 | 2 | | | | | |
| 8 | Z410702000 | PASAMUROS CESTO CUADRADO | SQUARE BASKET WALL BUSHING | 1 | 1 | | | | | |
| | Q232030000 | ARANDELA A5 | WASHER A5 | 4 | 4 | | | | | |
| | Q262030000 | ARANDELA GROW. A5 A.304 | WASHER GROW. A5 A.304 | 4 | 4 | | | | | |
| | Q162030000 | TUERCA EXAGONAL M5 | HEXAGONAL NUT M5 | 4 | 4 | | | | | |
| 9 | Z701152000 | PESO FILTRO | FILTER WEIGHT | 1 | 1 | | | | | |
| 10 | Z401730000 | CALDERIN LAVAVASOS 10-2 | GLASSWASHER BOILER 10-2 | 1 | 1 | | | | | |
| | | | | | | | | | | |
| | | | | | | | | | | |

| MOD. | | LAVAVASOS | | ZONA | | CONJUNTO FUNCIONAL ACLARADO | | | | PLANO | | C-2116 | |
|------|------------|--------------------------------|-----------------------------|---------|---------|-----------------------------|--|--|--|-------|--|--------|--|
| ITEM | CODIGO | DENOMINACION | TEXTO | LVC-15D | LVC-21D | | | | | | | NOTAS | |
| 11 | Z401116000 | SOPORTE DOSIFICADOR | DISPENSER SUPPORT | 1 | 1 | | | | | | | | |
| | Q242030000 | ARANDELA ABANICO A5 A.304 | FAN WASHER A5 A.304 | 4 | 4 | | | | | | | | |
| | Q152004000 | TORNILLO APLASTADO M5x13 A304 | FLAT HEADED BOLT M5x13 A304 | 2 | 2 | | | | | | | | |
| 10 | Z211109000 | DOSIFICADOR TENSOACTIVO N-6 | SURFACE ACT. DISP. N-6 | 1 | 1 | | | | | | | | |
| S/Nº | Z448618000 | CONDUCTO ABRILLANTADOR | POLISH DUCT | 1 | 1 | | | | | | | | |
| 13 | 3676900000 | TUBO GOMA NEGRA Ø17*10 | BLACK RUBBER PIPE Ø17*10 | 1 | 1 | | | | | | | | |
| | Q881302000 | ABRAZADERA 12/20 | CLAMP 12/20 | 2 | 2 | | | | | | | | |
| 14 | Z601157000 | TOMA PRESION | PRESSURE INTAKE | 1 | 1 | | | | | | | | |
| 15 | 3704000000 | TUBO GOMA NEGRA Ø10,5*5 | BLACK RUBBER PIPE Ø10,5*5 | 1 | 1 | | | | | | | | |
| | Q881308000 | ABRAZADERA 8/14 | CLAMP 8/14 | 2 | 2 | | | | | | | | |
| 16 | 3676900000 | TUBO GOMA NEGRA Ø17*10 | BLACK RUBBER PIPE Ø17*10 | 1 | 1 | | | | | | | | |
| | Q881302000 | ABRAZADERA 12/20 | CLAMP 12/20 | 2 | 2 | | | | | | | | |
| 17 | Z471102000 | DEPOSITO SOLDADO | WELDED TANK | 1 | 1 | | | | | | | | |
| | Z471105000 | FILTRO (BITRON 06281.01) | FILTER (BITRON 06281.01) | 2 | 2 | | | | | | | | |
| 18 | 3676900000 | TUBO GOMA NEGRA Ø17*10 | BLACK RUBBER PIPE Ø17*10 | 1 | 1 | | | | | | | | |
| | Q881302000 | ABRAZADERA 12/20 | CLAMP 12/20 | 2 | 2 | | | | | | | | |
| 19 | Z471106000 | TUERCA (BITRON 27414.00) | NUT (BITRON 27414.00) | 1 | 1 | | | | | | | | |
| | Z471107000 | JUNTA TUERCA (BITRON 15702.01) | NUT SEAL (BITRON 15702.01) | 1 | 1 | | | | | | | | |
| 20 | Z471108000 | TAPON (BITRON 27415.00) | PLUG (BITRON 27415.00) | 1 | 1 | | | | | | | | |
| | Z471109000 | JUNTA TAPON (BITRON 06485.02) | PLUG SEAL (BITRON 06485.02) | 1 | 1 | | | | | | | | |
| 21 | 3676900000 | TUBO GOMA NEGRA Ø17*10 | BLACK RUBBER PIPE Ø17*10 | 1 | 1 | | | | | | | | |
| | Q881302000 | ABRAZADERA 12/20 | CLAMP 12/20 | 2 | 2 | | | | | | | | |
| 22 | Z471101000 | DESCALCIFICADOR 4 COLUMNAS | WATER SOFTENER 4 COLUMN | 1 | 1 | | | | | | | | |
| | Z471111000 | SOPOR. SUPERIOR DESCALCIFICAD | UPPER W-SOFT. SUPPORT. | 1 | — | | | | | | | | |
| | Z491101000 | SOPOR. SUPERIOR DESCALCIFICAD | UPPER W-SOFT. SUPPORT. | — | 1 | | | | | | | | |
| | Z471112000 | SOPOR. INFERIOR DESCALCIFICAD | LOWER W-SOFT. SUPPORT. | 1 | 1 | | | | | | | | |
| 23 | Z401111000 | SOPORTE ELECTROVALVULA | SOLENOID VLVE SUPPORT | 1 | 1 | | | | | | | | |
| | Q242030000 | ARANDELA ABANICO A5 A.304 | FAN WASHER A5 A.304 | 2 | 2 | | | | | | | | |
| | Q152004000 | TORNILLO APLASTADO M5x13 A304 | FLAT HEADED BOLT M5x13 A304 | 2 | 2 | | | | | | | | |
| | Q152024000 | TORNILLO AVELLANADO M4X8 A304 | COUNTERSUNK BOLT M4X8 A304 | 2 | 2 | | | | | | | | |
| 24 | Z602121000 | MANGUERA ENTRADA AGUA | WATER INTAKE HOSE | 1 | 1 | | | | | | | | |

| MOD. | | LAVAVASOS | | ZONA | | CONJUNTO FUNCIONAL ACLARADO | | | PLANO | | C-2116 | |
|------|------------|-------------------------------|------------------------------|---------|---------|-----------------------------|--|--|-------|--|--------|-------|
| ITEM | CODIGO | DENOMINACION | TEXTOS | LVC-15D | LVC-21D | | | | | | | NOTAS |
| 25 | Z611124000 | (12Z6111240) ELECTROVAL.TRIPL | (12Z6111240) SOLENOID VALVE. | 1 | 1 | | | | | | | |
| 26 | 3676900000 | TUBO GOMA NEGRA Ø17*10 | BLACK RUBBER PIPE Ø17*10 | 1 | 1 | | | | | | | |
| | Q881302000 | ABRAZADERA 12/20 | CLAMP 12/20 | 2 | 2 | | | | | | | |
| 27 | 3676900000 | TUBO GOMA NEGRA Ø17*10 | BLACK RUBBER PIPE Ø17*10 | 1 | 1 | | | | | | | |
| | Q881302000 | ABRAZADERA 12/20 | CLAMP 12/20 | 2 | 2 | | | | | | | |
| | | | | | | | | | | | | |
| | | | | | | | | | | | | |
| | | | | | | | | | | | | |
| | | | | | | | | | | | | |
| | | | | | | | | | | | | |
| | | | | | | | | | | | | |
| | | | | | | | | | | | | |
| | | | | | | | | | | | | |
| | | | | | | | | | | | | |
| | | | | | | | | | | | | |
| | | | | | | | | | | | | |
| | | | | | | | | | | | | |
| | | | | | | | | | | | | |
| | | | | | | | | | | | | |
| | | | | | | | | | | | | |
| | | | | | | | | | | | | |
| | | | | | | | | | | | | |
| | | | | | | | | | | | | |
| | | | | | | | | | | | | |
| | | | | | | | | | | | | |
| | | | | | | | | | | | | |
| | | | | | | | | | | | | |
| | | | | | | | | | | | | |



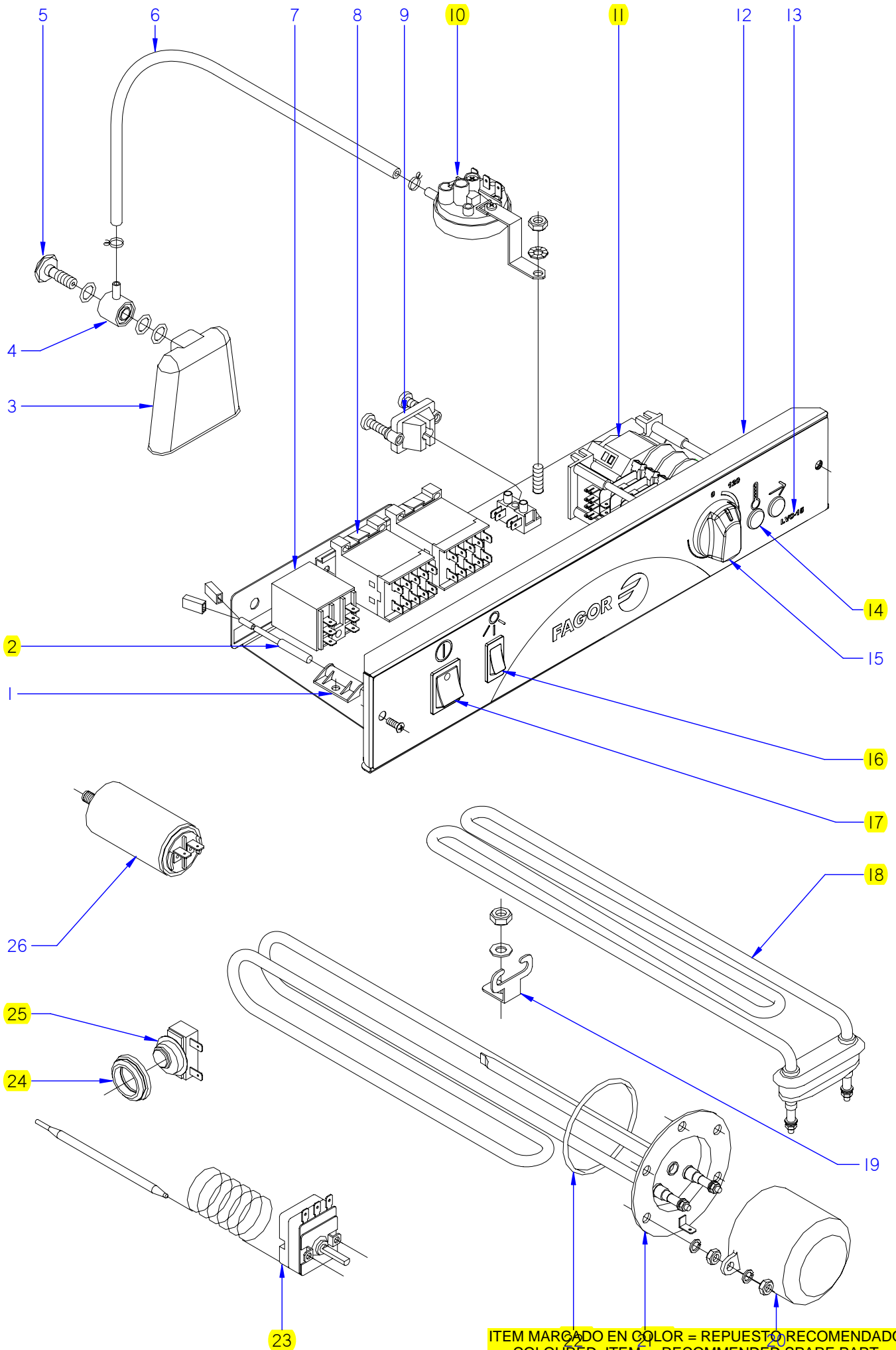
ITEM MARCADO EN COLOR = REPUESTO RECOMENDADO
 COLOURED ITEM = RECOMMENDED SPARE PART

| | | | | | | |
|---------|--------------------|---------|-------------------------|-----------------------------|--------|---------------------------------------|
| N plano | Firma | Fecha | Aparato | CONJUNTO FUNCIONAL ACLARADO | Lamina | Fagor Industrial S.Coop. FAGOR |
| C-2117 | <i>[Signature]</i> | 2009-10 | LAVAVASOS LVC-21C / 21W | | 8 | Oñate |

| MOD. | | LAVAVASOS | | ZONA | CONJUNTO FUNCIONAL ACLARADO | | | | PLANO | C-2117 |
|------|------------|--------------------------------|-----------------------------|---------|-----------------------------|--|--|--|-------|--------|
| ITEM | CODIGO | DENOMINACION | TEXTO | LVC-21C | LVC-21W | | | | | NOTAS |
| 1 | 3676900000 | TUBO GOMA NEGRA Ø17*10 | BLACK RUBBER PIPE Ø17*10 | 1 | 1 | | | | | |
| | Q881302000 | ABRAZADERA 12/20 | CLAMP 12/20 | 2 | 2 | | | | | |
| 2 | Z410703000 | SOPORTE DISTRIBUIDOR SUPER. | UPPER DISTRIBUTION SUPPORT | 1 | 1 | | | | | |
| | Q232040000 | ARANDELA A6 | WASHER A6 | 4 | 4 | | | | | |
| | Q262040000 | ARANDELA GROW. A6 A.304 | WASHER GROW. A6 A.304 | 4 | 4 | | | | | |
| | Q162040000 | TUERCA EXAGONAL M6 | HEXAGONAL NUT M6 | 4 | 4 | | | | | |
| 3 | Z410704000 | CRUCETA | CROSSPIECE | 2 | 2 | | | | | |
| | Q152016000 | TORNILLO ESPECIAL M.5X0.8 | SPECIAL BOLT M.5X0.8 | 2 | 2 | | | | | |
| | Z410705000 | CASQUILLO CRUCETA | CROSSPIECE BUSHING | 4 | 4 | | | | | |
| 4 | Z441902000 | RAMA ACLARADO B | RINSE BRANCH B | 2 | 2 | | | | | |
| S/Nº | Z441901000 | RAMA ACLARADO A | RINSE BRANCH A | 2 | 2 | | | | | |
| | Z211903000 | TOBERA ACLARADO | RINSE NOZZLE | 10 | 10 | | | | | |
| | Q042021000 | TORNILL. AVELLANADO M4X10 A304 | COUNTERSUNK BOLT M4X10 A304 | 4 | 4 | | | | | |
| 5 | 3676900000 | TUBO GOMA NEGRA Ø17*10 | BLACK RUBBER PIPE Ø17*10 | 1 | 1 | | | | | |
| | Q881302000 | ABRAZADERA 12/20 | CLAMP 12/20 | 2 | 2 | | | | | |
| 6 | Z410702000 | PASAMUROS CESTO CUADRADO | SQUARE BASKET WALL BUSHING | 1 | 1 | | | | | |
| | Q232030000 | ARANDELA A5 | WASHER A5 | 4 | 4 | | | | | |
| | Q262030000 | ARANDELA GROW. A5 A.304 | WASHER GROW. A5 A.304 | 4 | 4 | | | | | |
| | Q162030000 | TUERCA EXAGONAL M5 | HEXAGONAL NUT M5 | 4 | 4 | | | | | |
| 7 | Z701152000 | PESO FILTRO | FILTER WEIGHT | 1 | 1 | | | | | |
| 8 | Z601157000 | TOMA PRESION | PRESSURE INTAKE | 1 | 1 | | | | | |
| 9 | 3676900000 | TUBO GOMA NEGRA Ø17*10 | BLACK RUBBER PIPE Ø17*10 | 1 | 1 | | | | | |
| | Q881302000 | ABRAZADERA 12/20 | CLAMP 12/20 | 2 | 2 | | | | | |
| 10 | Z401730000 | CALDERIN LAVAVASOS 10-2 | GLASSWASHER BOILER 10-2 | 1 | 1 | | | | | |
| 11 | Z748008000 | SOPORTE BULBO TERMOSTATO | THERMOSTAT BULB SUPPORT | 1 | 1 | | | | | |
| | Q152018000 | PERNO SOLDADO M6X10 | WELDED BOLT M6X10 | 2 | 2 | | | | | |
| | Q162040000 | TUERCA EXAGONAL M6 | HEXAGONAL NUT M6 | 2 | 2 | | | | | |
| | Q232040000 | ARANDELA A6 | WASHER A6 | 2 | 2 | | | | | |
| | Q262040000 | ARANDELA GROW. A6 A.304 | WASHER GROW. A6 A.304 | 2 | 2 | | | | | |
| | | | | | | | | | | |
| | | | | | | | | | | |

| | | | | | |
|------|-----------|------|-----------------------------|-------|--------|
| MOD. | LAVAVASOS | ZONA | CONJUNTO FUNCIONAL ACLARADO | PLANO | C-2117 |
|------|-----------|------|-----------------------------|-------|--------|

| ITEM | CODIGO | DENOMINACION | TEXTO | LVC-21C | LVC-21W | | | | | | | NOTAS |
|------|------------|-------------------------------|-----------------------------|---------|---------|--|--|--|--|--|--|-------|
| 12 | Z401116000 | SOPORTE DOSIFICADOR | DISPENSER SUPPORT | 1 | 1 | | | | | | | |
| | Q242030000 | ARANDELA ABANICO A5 A.304 | FAN WASHER A5 A.304 | 4 | 4 | | | | | | | |
| | Q152004000 | TORNILLO APLASTADO M5x13 A304 | FLAT HEADED BOLT M5x13 A304 | 2 | 2 | | | | | | | |
| 13 | Z211109000 | DOSIFICADOR TENSOACTIVO N-6 | SURFACE ACT. DISP. N-6 | 1 | 1 | | | | | | | |
| S/Nº | Z448618000 | CONDUCTO ABRILLANTADOR | POLISH DUCT | 1 | 1 | | | | | | | |
| 14 | 3704000000 | TUBO GOMA NEGRA Ø10,5*5 | BLACK RUBBER PIPE Ø10,5*5 | 1 | 1 | | | | | | | |
| | Q881308000 | ABRAZADERA 8/14 | CLAMP 8/14 | 2 | 2 | | | | | | | |
| 15 | 3676900000 | TUBO GOMA NEGRA Ø17*10 | BLACK RUBBER PIPE Ø17*10 | 1 | 1 | | | | | | | |
| | Q881302000 | ABRAZADERA 12/20 | CLAMP 12/20 | 2 | 2 | | | | | | | |
| 16 | 3676900000 | TUBO GOMA NEGRA Ø17*10 | BLACK RUBBER PIPE Ø17*10 | 1 | 1 | | | | | | | |
| | Q881302000 | ABRAZADERA 12/20 | CLAMP 12/20 | 2 | 2 | | | | | | | |
| 17 | P255001000 | ELECTROVALVULA DOBLE | DOUBLE SOLENOID VALVE | 1 | 1 | | | | | | | |
| 18 | Z601114000 | MANGUERA ENTRADA AGUA | WATER INTAKE HOSE | 1 | 1 | | | | | | | |
| 19 | 3676900000 | TUBO GOMA NEGRA Ø17*10 | BLACK RUBBER PIPE Ø17*10 | 1 | 1 | | | | | | | |
| | Q881302000 | ABRAZADERA 12/20 | CLAMP 12/20 | 2 | 2 | | | | | | | |
| 20 | Z231106000 | VALVULA ANTIRRETORNO | NON-RETURN VALVE | 1 | 1 | | | | | | | |
| | Q881302000 | ABRAZADERA 12/20 | CLAMP 12/20 | 2 | 2 | | | | | | | |
| 21 | Z401108000 | RACORD EN CRUZ | DIAGONAL CONNECTION | 1 | 1 | | | | | | | |
| | | | | | | | | | | | | |
| | | | | | | | | | | | | |
| | | | | | | | | | | | | |
| | | | | | | | | | | | | |
| | | | | | | | | | | | | |
| | | | | | | | | | | | | |
| | | | | | | | | | | | | |
| | | | | | | | | | | | | |
| | | | | | | | | | | | | |
| | | | | | | | | | | | | |
| | | | | | | | | | | | | |
| | | | | | | | | | | | | |
| | | | | | | | | | | | | |
| | | | | | | | | | | | | |
| | | | | | | | | | | | | |

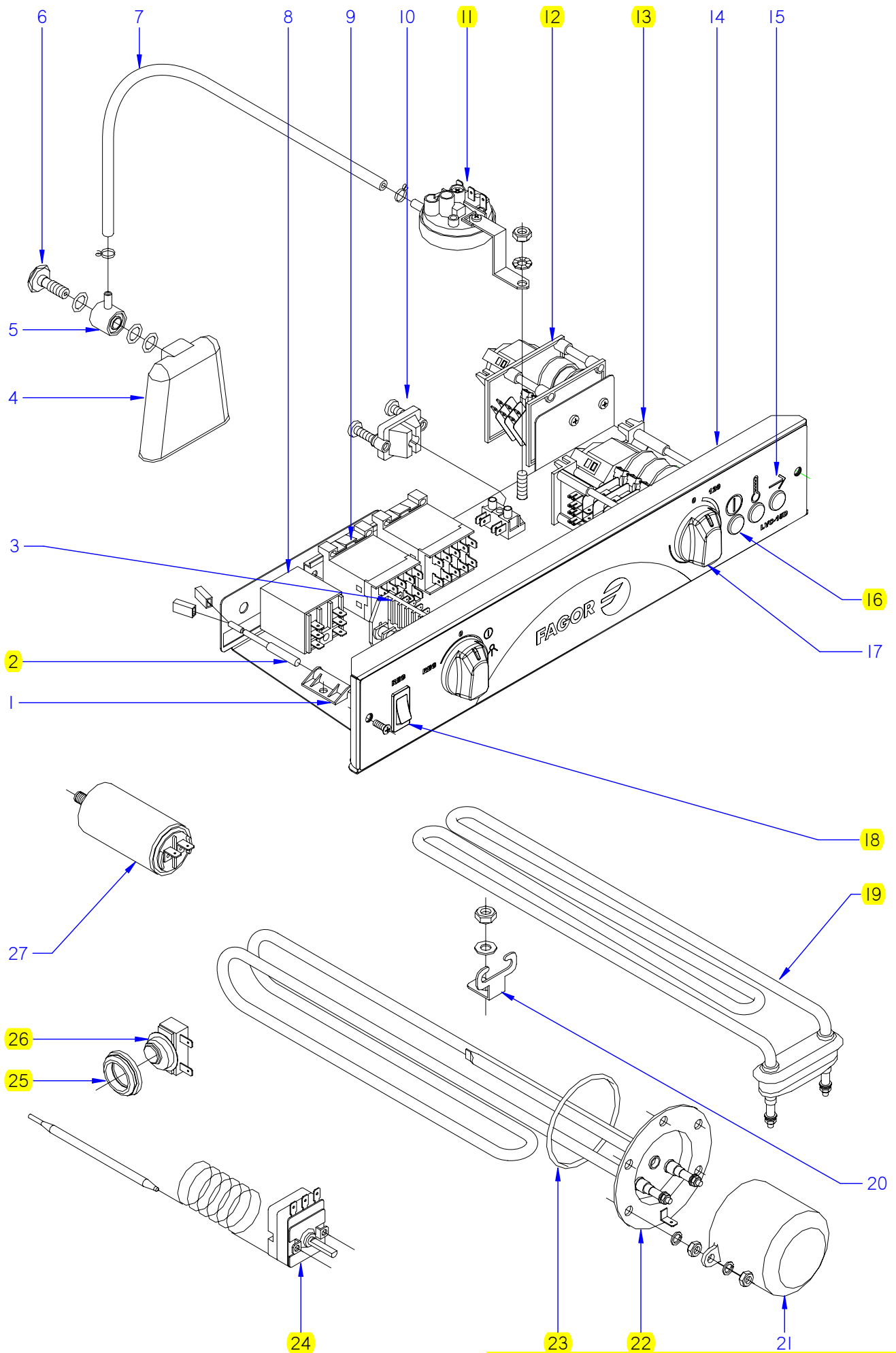


ITEM MARCADO EN COLOR = REPUESTO RECOMENDADO
 COLOURED ITEM = RECOMMENDED SPARE PART

| | | | | | | |
|---------|--------------------|---------|----------------------------|------------------------------|--------|---------------------------------------|
| N plano | Firma | Fecha | Aparato | CONJUNTO FUNCIONAL ELECTRICO | Lamina | Fagor Industrial S.Coop. FAGOR |
| C-2118 | <i>[Signature]</i> | 2009-10 | LAVAVASOS LVC-12 / 15 / 21 | | 9 | Oñate |

| MOD. | | LAVAVASOS | | ZONA | CONJUNTO FUNCIONAL ELECTRICO | | | PLANO | C-2118 | |
|------|------------|-----------------------------------|--------------------------------|--------|------------------------------|--------|--|-------|--------|----------------------|
| ITEM | CODIGO | DENOMINACION | TEXTO | LVC-12 | LVC-15 | LVC-21 | | | | NOTAS |
| 1 | Z203010000 | AMARRE INTERRUPT. MAGNETICO | MAGNETIC SWITCH FASTENER | - | 1 | 1 | | | | |
| 2 | Z203009000 | INTERRUPTOR MAGNETICO | MAGNETIC SWITCH | - | 1 | 1 | | | | |
| 3 | Z203011000 | CAMARA PRESOSTATO | PRESSURE SWITCH | 1 | 1 | 1 | | | | |
| 4 | Z203012000 | EMPALME PRESOSTATO | PRESSURE SWITCH CONNEX | 1 | 1 | 1 | | | | |
| 5 | Z203013000 | TORNILLO PRESOSTATO | PRESSURE SWITCH BOLT | 1 | 1 | 1 | | | | |
| | Q307003000 | JUNTA TORICA 16.01X10.77X2.62 | O-RING 16.01X10.77X2.62 | 3 | 3 | 3 | | | | |
| 6 | 3702400000 | TUBO GOMA NEGRO D 8*4 | BLACK RUBBER PIPE Ø 8*4 | 1 | 1 | 1 | | | | |
| | P102154000 | BRIDA ELASTICA TUBO | ELASTIC PIPE FLANGE | 2 | 2 | 2 | | | | |
| 7 | Z203062000 | RELE 230V. 16A 50-60 HZ | RELAY 230V. 16A 50-60 HZ | - | 1 | 1 | | | | |
| 8 | Z213007000 | CONTACTOR 230 V. 50-60 HZ | CONTACTOR 230 V. 50-60 HZ | 1 | 1 | 1 | | | | |
| 8 | Z203050000 | CONTACT. SIRIUS 3R 230 V.50-60 HZ | CONTACT. SIRIUS 3R 230 V.50/60 | - | 1 | 1 | | | | |
| 9 | Z203020000 | RETENEDOR DE CABLE | CABLE HOLDER | 1 | 1 | 1 | | | | |
| | Z603025000 | REGLETA DE CONEXIONES | CONNECTION STRIP | 1 | 1 | 1 | | | | |
| | Q032021000 | TORNILLO ALOMADO M4X10 | CURVED SCREW M4X10 | 1 | 1 | 1 | | | | |
| | Q162020000 | TUERCA EXAGONAL M4 | HEXAGONAL NUT M4 | 1 | 1 | 1 | | | | |
| 10 | Z403021000 | PRESOSTATO SIMPLE | SIMPLE PRESSURE SWITCH | 1 | 1 | 1 | | | | |
| | Z602923000 | SOPORTE PRESOSTATO | PRESSURE SWITCH SUPPORT | 1 | 1 | 1 | | | | |
| | Q082032000 | TORNILLO ALOMADO BZ-3,5X9,5 | CURVED SCREW BZ-3.5x9.5 | 1 | 1 | 1 | | | | |
| | Q152004000 | TORNILLO APLASTADO M5x13 A304 | FLAT HEADED BOLT M5x13 A304 | 1 | 1 | 1 | | | | |
| | Q242030000 | ARANDELA ABANICO A5 A.304 | FAN WASHER A5 A.304 | 1 | 1 | 1 | | | | |
| | Q162030000 | TUERCA EXAGONAL M5 | HEXAGONAL NUT M5 | 1 | 1 | 1 | | | | |
| 11 | Z403002000 | PROGRAMADOR CICLO | CYCLE PROGRAMMER | 1 | 1 | 1 | | | | |
| 11 | Z403044000 | PROGRAMADOR CICLO (60 HZ.) | CYCLE PROGRAMMER (60 HZ.) | - | - | 1 | | | | INTRODUCIDO 07.09.09 |
| | Z203007000 | CASQUILLO | BUSHING | 2 | 2 | 2 | | | | |
| | Q041324000 | TORN. AVELLANADO M4X25 H.ZINC | HEXAGONAL COUNTERSUNK M4 | 2 | 2 | 2 | | | | |
| 12 | Z462905000 | FRENTE COMPLETO 12-15 | COMPLETE FRONT 12-15 | 1 | 1 | - | | | | |
| 12 | Z442905000 | FRENTE COMPLETO 21 | COMPLETE FRONT 21 | - | - | 1 | | | | |
| 13 | Z462904000 | EMBELLECEDOR ADHES. LVC-12 | ADHES. TRIM LVC-12 | 1 | - | - | | | | |
| 13 | Z412902000 | EMBELLECEDOR ADHES. LVC-15 | ADHES. TRIM LVC-15 | - | 1 | - | | | | |
| 13 | Z442904000 | EMBELLECEDOR ADHES. LVC-21 | ADHES. TRIM LVC-21 | - | - | 1 | | | | |
| 14 | R693056000 | PILOTO AMBAR 41227000A4 | AMBER PILOT 41227000A4 | 1 | 2 | 2 | | | | |

| MOD. | | LAVAVASOS | | ZONA | CONJUNTO FUNCIONAL ELECTRICO | | | PLANO | C-2118 | |
|------|------------|-------------------------------|-----------------------------|--------|------------------------------|--------|--|-------|--------|-------|
| ITEM | CODIGO | DENOMINACION | TEXTO | LVC-12 | LVC-15 | LVC-21 | | | | NOTAS |
| 15 | Z203069000 | BOTON DE MANDO | CONTROL BUTTON | 1 | 1 | 1 | | | | |
| 16 | Z203070000 | PULSADOR NEGRO | BLACK BUTTON | — | 1 | 1 | | | | |
| 17 | Z203071000 | INTERRUPTOR NEGRO | BLACK SWITCH | 1 | 1 | 1 | | | | |
| 18 | Z733601000 | RESISTENCIA TANQUE | TANK RESISTOR | 1 | — | — | | | | |
| 18 | R223005000 | RESISTENCIA TANQUE | TANK RESISTOR | — | 1 | 1 | | | | |
| 19 | Z603602000 | SOPORTE RESISTENCIATANQUE | TANK RESISTOR SUPPORT | 1 | 1 | 1 | | | | |
| | Q232040000 | ARANDELA A6 | WASHER A6 | 1 | 1 | 1 | | | | |
| | Q162040000 | TUERCA EXAGONAL M6 | HEXAGONAL NUT M6 | 1 | 1 | 1 | | | | |
| 20 | Z401713000 | CAPERUZA RESISTENC. CALDERIN | BOILER RESIST. CAP | 1 | 1 | 1 | | | | |
| | Q163140000 | TUERCA EXAGONAL M6 LATON | HEXAGONAL NUT M6 BRASS | 2 | 2 | 2 | | | | |
| | Q242030000 | ARANDELA ABANICO A5 A.304 | FAN WASHER A5 A.304 | 2 | 2 | 2 | | | | |
| | Q152004000 | TORNILLO APLASTADO M5x13 A304 | FLAT HEADED BOLT M5x13 A304 | 2 | 2 | 2 | | | | |
| 21 | Z401738000 | RESISTENCIA CALDERIN 2400W | BOILER RESISTOR 2400W | 1 | 1 | — | | | | |
| 21 | Z421712000 | RESISTENCIA CALDERIN 2800W | BOILER RESISTOR 2800W | — | — | 1 | | | | |
| | Q221301000 | TUERCA EXAG.AUTOBLOCANTE M6 | SELF-LOCK HEX NUT M6 | 2 | 2 | 2 | | | | |
| | Q163140000 | TUERCA EXAGONAL M6 LATON | HEXAGONAL NUT M6 BRASS | 5 | 5 | 5 | | | | |
| | Q262040000 | ARANDELA GROW. A6 A.304 | WASHER GROW. A6 A.304 | 5 | 5 | 5 | | | | |
| 22 | Q307053000 | JUNTA TORICA 43.82X54.48X5.35 | "O" RING 43.82X54.48X5.35 | 1 | 1 | 1 | | | | |
| 23 | Z393005000 | TERMOSTATO CALDERIN | WASH DRUM THERMOSTAT | 1 | 1 | 1 | | | | |
| | Q152024000 | TORNILLO AVELLANADO M4X8 A304 | COUNTERSUNK BOLT M4X8 A304 | 2 | 2 | 2 | | | | |
| 24 | N503017000 | SOPORTE TERMOSTATO 1001713 | THERMOSTAT SUPPORT 1001713 | 1 | 1 | 1 | | | | |
| 25 | Z718405000 | TERMOSTATO DOBLE | DOUBLE THERMOSTAT | 1 | 1 | 1 | | | | |
| 26 | V817100000 | CONDENSADOR 6 M.F. | CONDENSER 6 M.F. | 1 | 1 | 1 | | | | |
| | | | | | | | | | | |
| | | | | | | | | | | |
| | | | | | | | | | | |
| | | | | | | | | | | |
| | | | | | | | | | | |
| | | | | | | | | | | |



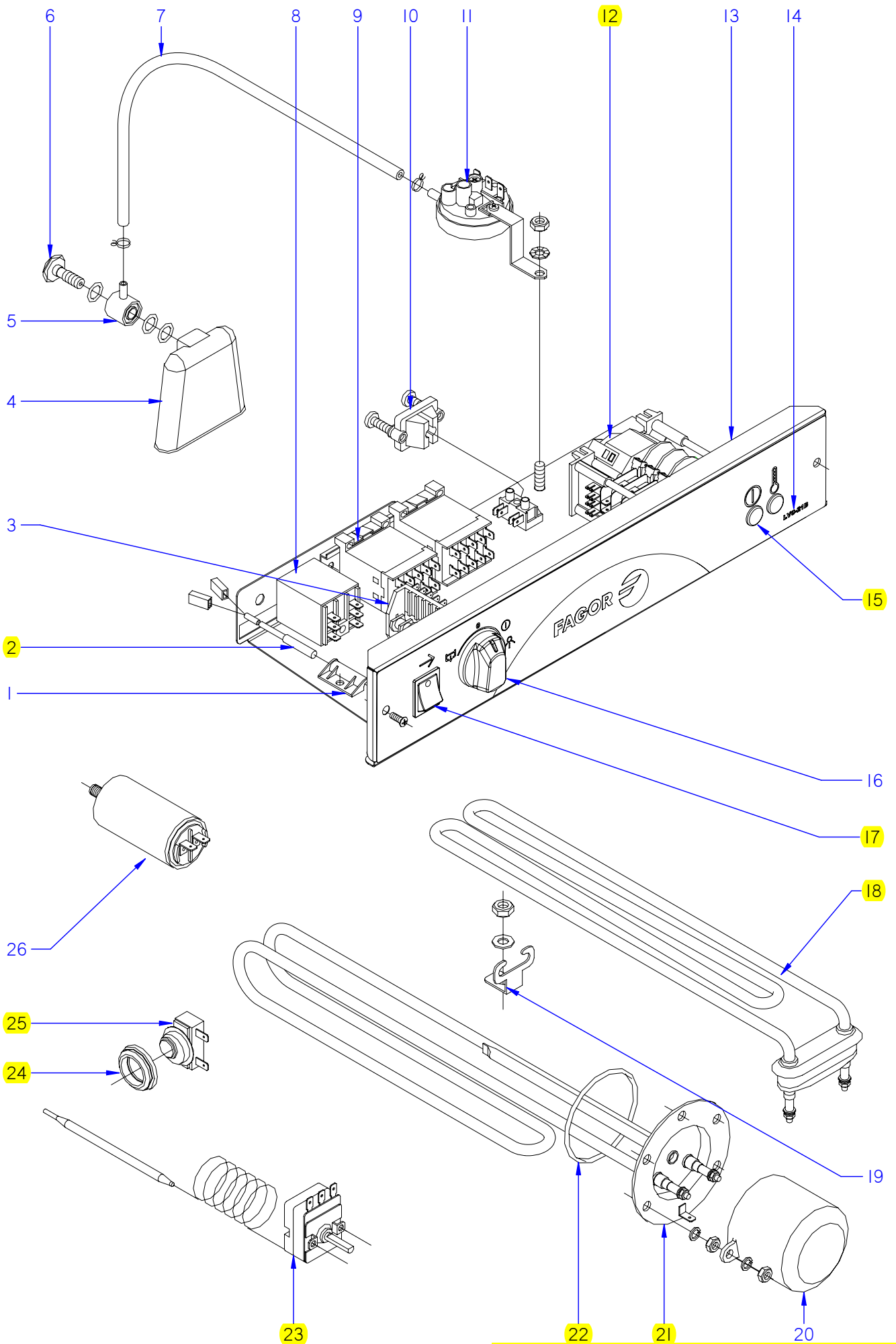
ITEM MARCADO EN COLOR = REPUESTO RECOMENDADO
 COLOURED ITEM = RECOMMENDED SPARE PART

| | | | | | | |
|---------|--------------------|---------|-----------|------------------------------|--------|---------------------------------------|
| N plano | Firma | Fecha | Aparato | CONJUNTO FUNCIONAL ELECTRICO | Lamina | Fagor Industrial S.Coop. FAGOR |
| C-2119 | <i>[Signature]</i> | 2009-10 | LAVAVASOS | LVC-15D / LVC-21D | 10 | Oñate |

| MOD. | | LAVAVASOS | | ZONA | | CONJUNTO FUNCIONAL ELECTRICO | | | | PLANO | | C-2119 | |
|------|------------|-------------------------------|-----------------------------|---------|---------|------------------------------|--|--|--|-------|--|--------|--|
| ITEM | CODIGO | DENOMINACION | TEXTO | LVC-15D | LVC-21D | | | | | | | NOTAS | |
| 1 | Z203010000 | AMARRE INTERRUPT. MAGNETICO | MAGNETIC SWITCH FASTENER | 1 | 1 | | | | | | | | |
| 2 | Z203009000 | INTERRUPTOR MAGNETICO | MAGNETIC SWITCH | 1 | 1 | | | | | | | | |
| 3 | Z433001000 | CONMUTADOR DE FUNCIONES | FUNCTIONS SWITCH | 1 | 1 | | | | | | | | |
| | Z203007000 | CASQUILLO | BUSHING | 2 | 2 | | | | | | | | |
| | Q041324000 | TORN. AVELLANADO M4X25 H.ZINC | HEXAGONAL COUNTERSUNK M4 | 2 | 2 | | | | | | | | |
| 4 | Z203011000 | CAMARA PRESOSTATO | PRESSURE SWITCH | 1 | 1 | | | | | | | | |
| 5 | Z203012000 | EMPALME PRESOSTATO | PRESSURE SWITCH CONNEX | 1 | 1 | | | | | | | | |
| 6 | Z203013000 | TORNILLO PRESOSTATO | PRESSURE SWITCH BOLT | 1 | 1 | | | | | | | | |
| | Q307003000 | JUNTA TORICA 16.01X10.77X2.62 | O-RING 16.01X10.77X2.62 | 3 | 3 | | | | | | | | |
| 7 | 3702400000 | TUBO GOMA NEGRO D 8*4 | BLACK RUBBER PIPE Ø 8*4 | 1 | 1 | | | | | | | | |
| | P102154000 | BRIDA ELASTICA TUBO | ELASTIC PIPE FLANGE | 2 | 2 | | | | | | | | |
| 8 | Z203062000 | RELE 230V. 16A 50-60 HZ | RELAY 230V. 16A 50-60 HZ | 1 | 1 | | | | | | | | |
| 9 | Z213007000 | CONTACTOR 230 V. 50-60 HZ | CONTACTOR 230 V. 50-60 HZ | 2 | 2 | | | | | | | | |
| 10 | Z203020000 | RETENEDOR DE CABLE | CABLE HOLDER | 1 | 1 | | | | | | | | |
| | Z603025000 | REGLETA DE CONEXIONES | CONNECTION STRIP | 1 | 1 | | | | | | | | |
| | Q032021000 | TORNILLO ALOMADO M4X10 | CURVED SCREW M4X10 | 1 | 1 | | | | | | | | |
| | Q162020000 | TUERCA EXAGONAL M4 | HEXAGONAL NUT M4 | 1 | 1 | | | | | | | | |
| 11 | Z403021000 | PRESOSTATO SIMPLE | SIMPLE PRESSURE SWITCH | 1 | 1 | | | | | | | | |
| | Z602923000 | SOPORTE PRESOSTATO | PRESSURE SWITCH SUPPORT | 1 | 1 | | | | | | | | |
| | Q082032000 | TORNILLO ALOMADO BZ-3,5X9,5 | CURVED SCREW BZ-3.5x9.5 | 1 | 1 | | | | | | | | |
| | Q152004000 | TORNILLO APLASTADO M5x13 A304 | FLAT HEADED BOLT M5x13 A304 | 1 | 1 | | | | | | | | |
| | Q242030000 | ARANDELA ABANICO A5 A.304 | FAN WASHER A5 A.304 | 1 | 1 | | | | | | | | |
| | Q162030000 | TUERCA EXAGONAL M5 | HEXAGONAL NUT M5 | 1 | 1 | | | | | | | | |
| 12 | Z613003000 | PROGRAMADOR REGENERACION | REGENERATION PROGRAMMER | 1 | 1 | | | | | | | | |
| | Q032021000 | TORNILLO ALOMADO M4x10 | CURVED SCREW M4X10 | 2 | 2 | | | | | | | | |
| 13 | Z403002000 | PROGRAMADOR CICLO | CYCLE PROGRAMMER | 1 | 1 | | | | | | | | |
| | Z203007000 | CASQUILLO | BUSHING | 2 | 2 | | | | | | | | |
| | Q041324000 | TORN. AVELLANADO M4X25 H.ZINC | HEXAGONAL COUNTERSUNK M4 | 2 | 2 | | | | | | | | |
| 14 | Z462905000 | FRENTE COMPLETO 12-15 | COMPLETE FRONT 12-15 | 1 | - | | | | | | | | |
| 14 | Z442905000 | FRENTE COMPLETO 21 | COMPLETE FRONT 21 | - | 1 | | | | | | | | |
| | Q152004000 | TORNILLO APLASTADO M5x13 A304 | FLAT HEADED BOLT M5x13 A304 | 2 | 2 | | | | | | | | |

| | | | | | |
|------|-----------|------|------------------------------|-------|--------|
| MOD. | LAVAVASOS | ZONA | CONJUNTO FUNCIONAL ELECTRICO | PLANO | C-2119 |
|------|-----------|------|------------------------------|-------|--------|

| ITEM | CODIGO | DENOMINACION | TEXTO | LVC-15D | LVC-21D | | | | | | | NOTAS |
|------|------------|-------------------------------|-----------------------------|---------|---------|--|--|--|--|--|--|-------|
| 15 | Z482904000 | EMBELLECEDOR ADHES. LVC-15D | ADHES. TRIM LVC-15D | 1 | - | | | | | | | |
| 15 | Z502902000 | EMBELLECEDOR ADHES. LVC-21D | ADHES. TRIM LVC-21D | - | 1 | | | | | | | |
| 16 | R693056000 | PILOTO AMBAR 41227000A4 | AMBER PILOT 41227000A4 | 3 | 3 | | | | | | | |
| 17 | Z203069000 | BOTON DE MANDO | CONTROL BUTTON | 2 | 2 | | | | | | | |
| 18 | Z203070000 | PULSADOR NEGRO | BLACK BUTTON | 1 | 1 | | | | | | | |
| 19 | R223005000 | RESISTENCIA TANQUE | TANK RESISTOR | 1 | 1 | | | | | | | |
| 20 | Z603602000 | SOPORTE RESISTENCIATANQUE | TANK RESISTOR SUPPORT | 1 | 1 | | | | | | | |
| | Q232040000 | ARANDELA A6 | WASHER A6 | 1 | 1 | | | | | | | |
| | Q162040000 | TUERCA EXAGONAL M6 | HEXAGONAL NUT M6 | 1 | 1 | | | | | | | |
| 21 | Z401713000 | CAPERUZA RESISTENC. CALDERIN | BOILER RESIST. CAP | 1 | 1 | | | | | | | |
| | Q163140000 | TUERCA EXAGONAL M6 LATON | HEXAGONAL NUT M6 BRASS | 2 | 2 | | | | | | | |
| | Q242030000 | ARANDELA ABANICO A5 A.304 | FAN WASHER A5 A.304 | 2 | 2 | | | | | | | |
| | Q152004000 | TORNILLO APLASTADO M5x13 A304 | FLAT HEADED BOLT M5x13 A304 | 2 | 2 | | | | | | | |
| 22 | Z401738000 | RESISTENCIA CALDERIN 2400W | BOILER RESISTOR 2400W | 1 | - | | | | | | | |
| 22 | Z421712000 | RESISTENCIA CALDERININ 2800W | BOILER RESISTOR 2800W | - | 1 | | | | | | | |
| | Q221301000 | TUERCA EXAG.AUTOBLOCANTE M6 | SELF-LOCK HEX NUT M6 | 2 | 2 | | | | | | | |
| | Q163140000 | TUERCA EXAGONAL M6 LATON | HEXAGONAL NUT M6 BRASS | 5 | 5 | | | | | | | |
| | Q262040000 | ARANDELA GROW. A6 A.304 | WASHER GROW. A6 A.304 | 5 | 5 | | | | | | | |
| 23 | Q307053000 | JUNTA TORICA 43.82X54.48X5.35 | "O" RING 43.82X54.48X5.35 | 1 | 1 | | | | | | | |
| 24 | Z393005000 | TERMOSTATO CALDERIN | WASH DRUM THERMOSTAT | 1 | 1 | | | | | | | |
| | Q152024000 | TORNILLO AVELLANADO M4X8 A304 | COUNTERSUNK BOLT M4X8 A304 | 2 | 2 | | | | | | | |
| 25 | N503017000 | SOPORTE TERMOSTATO 1001713 | THERMOSTAT SUPPORT 1001713 | 1 | 1 | | | | | | | |
| 26 | Z718405000 | TERMOSTATO DOBLE | DOUBLE THERMOSTAT | 1 | 1 | | | | | | | |
| 27 | V817100000 | CONDENSADOR 6 M.F. | CONDENSER 6 M.F. | 1 | 1 | | | | | | | |
| | | | | | | | | | | | | |
| | | | | | | | | | | | | |
| | | | | | | | | | | | | |
| | | | | | | | | | | | | |
| | | | | | | | | | | | | |
| | | | | | | | | | | | | |



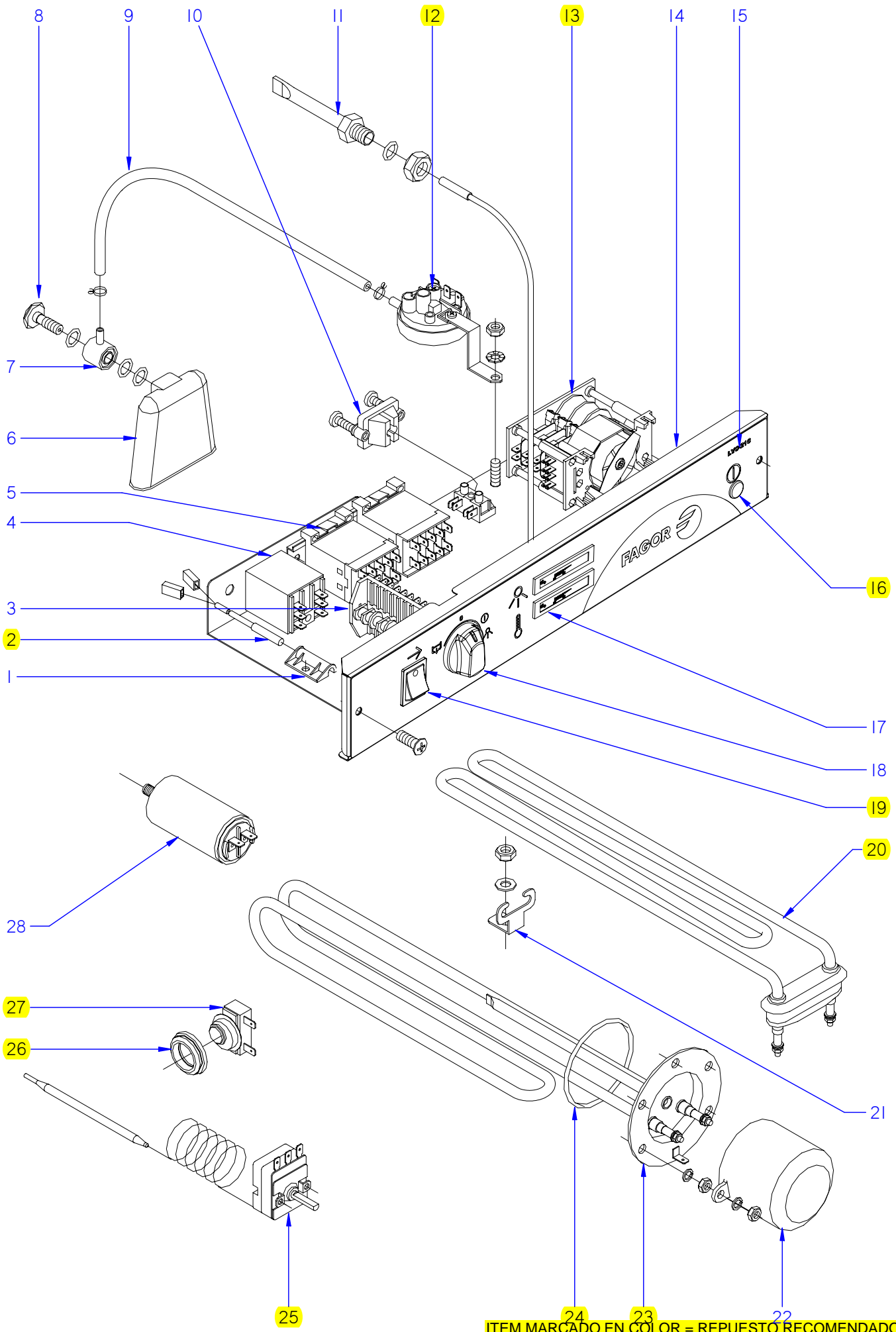
ITEM MARCADO EN COLOR = REPUESTO RECOMENDADO
 COLOURED ITEM = RECOMMENDED SPARE PART

| | | | | | | |
|---------|--------------------|---------|-------------------|------------------------------|--------|---------------------------------------|
| N plano | Firma | Fecha | Aparato | CONJUNTO FUNCIONAL ELECTRICO | Lamina | Fagor Industrial S.Coop. FAGOR |
| C-2120 | <i>[Signature]</i> | 2009-10 | LAVAVASOS LVC-21B | | 11 | Oñate |

| MOD. | | LAVAVASOS | | ZONA | | CONJUNTO FUNCIONAL ELECTRICO | | | | PLANO | | C-2120 | |
|------|------------|-----------------------------------|--------------------------------|---------|--|------------------------------|--|--|--|-------|--|--------|-------|
| ITEM | CODIGO | DENOMINACION | TEXTO | LVC-21B | | | | | | | | | NOTAS |
| 1 | Z203010000 | AMARRE INTERRUPT. MAGNETICO | MAGNETIC SWITCH FASTENER | 1 | | | | | | | | | |
| 2 | Z203009000 | INTERRUPTOR MAGNETICO | MAGNETIC SWITCH | 1 | | | | | | | | | |
| 3 | Z433001000 | CONMUTADOR DE FUNCIONES | FUNCTIONS SWITCH | 1 | | | | | | | | | |
| 4 | Z203011000 | CAMARA PRESOSTATO | PRESSURE SWITCH | 1 | | | | | | | | | |
| 5 | Z203012000 | EMPALME PRESOSTATO | PRESSURE SWITCH CONNEX | 1 | | | | | | | | | |
| 6 | Z203013000 | TORNILLO PRESOSTATO | PRESSURE SWITCH BOLT | 1 | | | | | | | | | |
| | Q307003000 | JUNTA TORICA 16.01X10.77X2.62 | O-RING 16.01X10.77X2.62 | 3 | | | | | | | | | |
| 7 | 3702400000 | TUBO GOMA NEGRO D 8*4 | BLACK RUBBER PIPE Ø 8*4 | 1 | | | | | | | | | |
| | P102154000 | BRIDA ELASTICA TUBO | ELASTIC PIPE FLANGE | 2 | | | | | | | | | |
| 8 | Z203062000 | RELE 230V. 16A 50-60 HZ | RELAY 230V. 16A 50-60 HZ | 1 | | | | | | | | | |
| 9 | Z203050000 | CONTACT. SIRIUS 3R 230 V.50-60 HZ | CONTACT. SIRIUS 3R 230 V.50/60 | 1 | | | | | | | | | |
| 9 | Z213007000 | CONTACTOR 230 V. 50-60 HZ | CONTACTOR 230 V. 50-60 HZ | 1 | | | | | | | | | |
| 10 | Z203020000 | RETENEDOR DE CABLE | CABLE HOLDER | 1 | | | | | | | | | |
| | Z603025000 | REGLETA DE CONEXIONES | CONNECTION STRIP | 1 | | | | | | | | | |
| | Q032021000 | TORNILLO ALOMADO M4X10 | CURVED SCREW M4X10 | 1 | | | | | | | | | |
| | Q162020000 | TUERCA EXAGONAL M4 | HEXAGONAL NUT M4 | 1 | | | | | | | | | |
| 11 | Z433011000 | PRESOSTATO DOBLE | DOUBLE PRESSURE SWITCH | 1 | | | | | | | | | |
| | Z602923000 | SOPORTE PRESOSTATO | PRESSURE SWITCH SUPPORT | 1 | | | | | | | | | |
| | Q082032000 | TORNILLO ALOMADO BZ-3,5X9,5 | CURVED SCREW BZ-3.5x9.5 | 1 | | | | | | | | | |
| | Q152004000 | TORNILLO APLASTADO M5x13 A304 | FLAT HEADED BOLT M5x13 A304 | 1 | | | | | | | | | |
| | Q242030000 | ARANDELA ABANICO A5 A.304 | FAN WASHER A5 A.304 | 1 | | | | | | | | | |
| | Q162030000 | TUERCA EXAGONAL M5 | HEXAGONAL NUT M5 | 1 | | | | | | | | | |
| 12 | Z433002000 | PROGRAMADOR CICLO 50Hz | CYCLE PROGRAMMER 50Hz | 1 | | | | | | | | | |
| 12 | Z448302000 | PROGRAMADOR CICLO 2' 60Hz | CYCLE PROGRAMMER 2' 60Hz | 1 | | | | | | | | | |
| | Z203007000 | CASQUILLO | BUSHING | 2 | | | | | | | | | |
| | Q041324000 | TORN. AVELLANADO M4X25 H.ZINC | HEXAGONAL COUNTERSUNK M4 | 2 | | | | | | | | | |
| 13 | Z442905000 | FRENTE COMPLETO 21 | COMPLETE FRONT 21 | 1 | | | | | | | | | |
| | Q152004000 | TORNILLO APLASTADO M5x13 A304 | FLAT HEADED BOLT M5x13 A304 | 2 | | | | | | | | | |
| 14 | Z452905000 | EMBELLECEDOR ADHES. LVC-21B | ADHES. TRIM LVC-21B | 1 | | | | | | | | | |
| 15 | R693056000 | PILOTO AMBAR 41227000A4 | AMBER PILOT 41227000A4 | 2 | | | | | | | | | |
| 16 | Z203069000 | BOTON DE MANDO | CONTROL BUTTON | 1 | | | | | | | | | |

| | | | | | |
|------|-----------|------|------------------------------|-------|--------|
| MOD. | LAVAVASOS | ZONA | CONJUNTO FUNCIONAL ELECTRICO | PLANO | C-2120 |
|------|-----------|------|------------------------------|-------|--------|

| ITEM | CODIGO | DENOMINACION | TEXTO | LVC-21B | | | | | | | | NOTAS |
|------|------------|-------------------------------|-----------------------------|---------|--|--|--|--|--|--|--|-------|
| 17 | Z203080000 | PULSADOR MARCHA NEGRO | BLACK RUN BUTTON | 1 | | | | | | | | |
| 18 | R223005000 | RESISTENCIA TANQUE | TANK RESISTOR | 1 | | | | | | | | |
| 19 | Z603602000 | SOPORTE RESISTENCIATANQUE | TANK RESISTOR SUPPORT | 1 | | | | | | | | |
| | Q232040000 | ARANDELA A6 | WASHER A6 | 1 | | | | | | | | |
| | Q162040000 | TUERCA EXAGONAL M6 | HEXAGONAL NUT M6 | 1 | | | | | | | | |
| 20 | Z401713000 | CAPERUZA RESISTENC. CALDERIN | BOILER RESIST. CAP | 1 | | | | | | | | |
| | Q163140000 | TUERCA EXAGONAL M6 LATON | HEXAGONAL NUT M6 BRASS | 2 | | | | | | | | |
| | Q242030000 | ARANDELA ABANICO A5 A.304 | FAN WASHER A5 A.304 | 2 | | | | | | | | |
| | Q152004000 | TORNILLO APLASTADO M5x13 A304 | FLAT HEADED BOLT M5x13 A304 | 2 | | | | | | | | |
| 21 | Z421712000 | RESISTENCIA CALDERIN 2800W | BOILER RESISTOR 2800W | 1 | | | | | | | | |
| | Q221301000 | TUERCA EXAG.AUTOBLOCANTE M6 | SELF-LOCK HEX NUT M6 | 2 | | | | | | | | |
| | Q163140000 | TUERCA EXAGONAL M6 LATON | HEXAGONAL NUT M6 BRASS | 5 | | | | | | | | |
| | Q262040000 | ARANDELA GROW. A6 A.304 | WASHER GROW. A6 A.304 | 5 | | | | | | | | |
| 22 | Q307053000 | JUNTA TORICA 43.82X54.48X5.35 | "O" RING 43.82X54.48X5.35 | 1 | | | | | | | | |
| 23 | Z393005000 | TERMOSTATO CALDERIN | WASH DRUM THERMOSTAT | 1 | | | | | | | | |
| | Q152024000 | TORNILLO AVELLANADO M4X8 A304 | COUNTERSUNK BOLT M4X8 A304 | 2 | | | | | | | | |
| 24 | N503017000 | SOPORTE TERMOSTATO 1001713 | THERMOSTAT SUPPORT 1001713 | 1 | | | | | | | | |
| 25 | Z718405000 | TERMOSTATO DOBLE | DOUBLE THERMOSTAT | 1 | | | | | | | | |
| 26 | V817100000 | CONDENSADOR 6 M.F. | CONDENSER 6 M.F. | 1 | | | | | | | | |
| | | | | | | | | | | | | |
| | | | | | | | | | | | | |
| | | | | | | | | | | | | |
| | | | | | | | | | | | | |
| | | | | | | | | | | | | |
| | | | | | | | | | | | | |
| | | | | | | | | | | | | |
| | | | | | | | | | | | | |
| | | | | | | | | | | | | |
| | | | | | | | | | | | | |

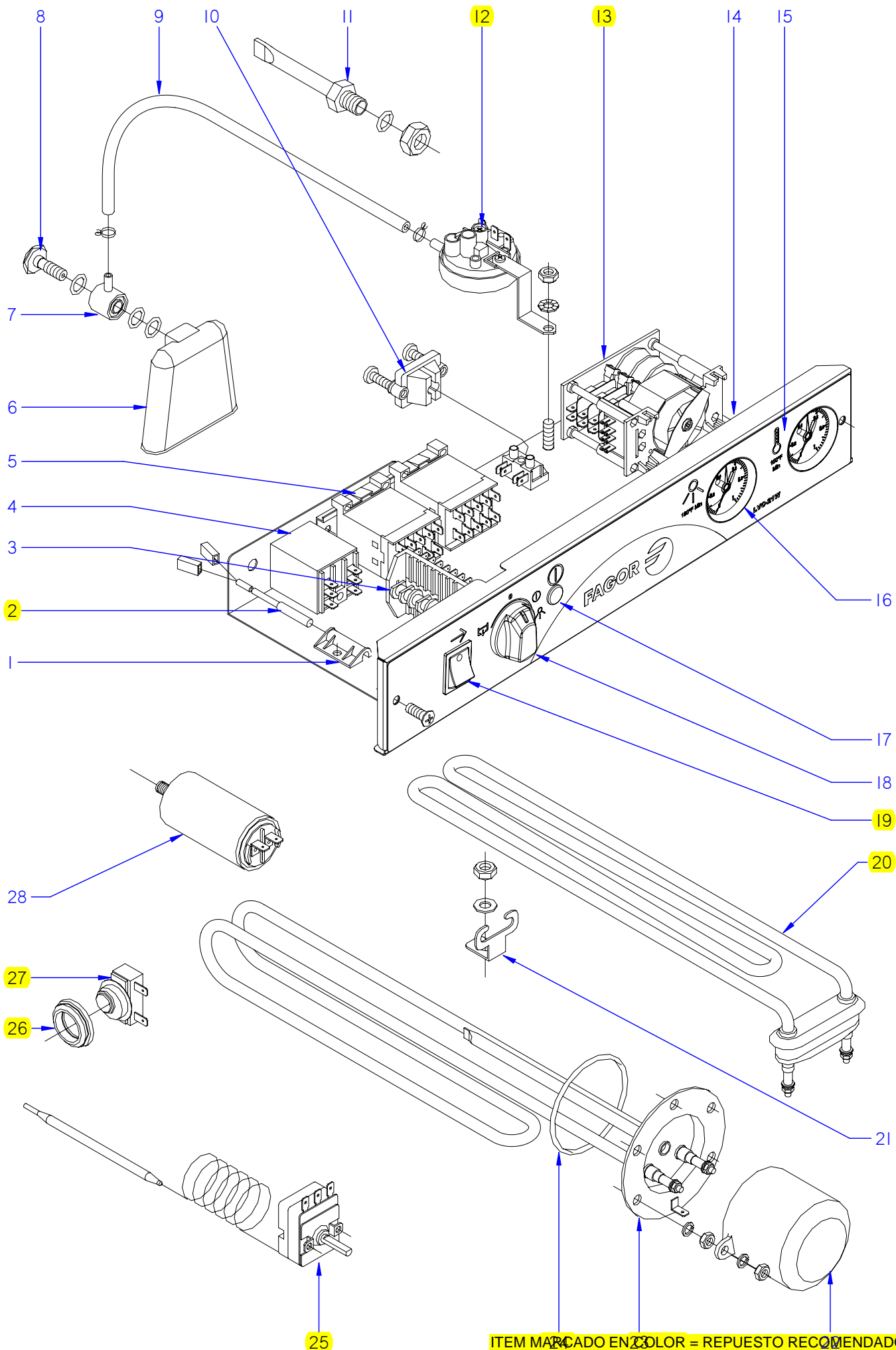


ITEM MARCADO EN COLOR = REPUESTO RECOMENDADO
 COLOURED ITEM = RECOMMENDED SPARE PART

| | | | | | | |
|---------|--------------------|---------|-------------------|------------------------------|--------|---------------------------------------|
| N plano | Firma | Fecha | Aparato | CONJUNTO FUNCIONAL ELECTRICO | Lamina | Fagor Industrial S.Coop. FAGOR |
| C-2121 | <i>[Signature]</i> | 2009-10 | LAVAVASOS LVC-21C | | 12 | Oñate |

| MOD. | | LAVAVASOS | | ZONA | | CONJUNTO FUNCIONAL ELECTRICO | | PLANO | | C-2121 | |
|------|------------|-----------------------------------|--------------------------------|---------|--|------------------------------|--|-------|--|--------|-------|
| ITEM | CODIGO | DENOMINACION | TEXTO | LVC-21C | | | | | | | NOTAS |
| 1 | Z203010000 | AMARRE INTERRUPT. MAGNETICO | MAGNETIC SWITCH FASTENER | 1 | | | | | | | |
| 2 | Z203009000 | INTERRUPTOR MAGNETICO | MAGNETIC SWITCH | 1 | | | | | | | |
| 3 | Z433001000 | CONMUTADOR DE FUNCIONES | FUNCTIONS SWITCH | 1 | | | | | | | |
| 4 | Z203062000 | RELE 230V. 16A 50-60 HZ | RELAY 230V. 16A 50-60 HZ | 1 | | | | | | | |
| 5 | Z203050000 | CONTACT. SIRIUS 3R 230 V.50-60 HZ | CONTACT. SIRIUS 3R 230 V.50/60 | 1 | | | | | | | |
| 5 | Z213007000 | CONTACTOR 230 V. 50-60 HZ | CONTACTOR 230 V. 50-60 HZ | 1 | | | | | | | |
| 6 | Z203011000 | CAMARA PRESOSTATO | PRESSURE SWITCH | 1 | | | | | | | |
| 7 | Z203012000 | EMPALME PRESOSTATO | PRESSURE SWITCH CONNEX | 1 | | | | | | | |
| 8 | Z203013000 | TORNILLO PRESOSTATO | PRESSURE SWITCH BOLT | 1 | | | | | | | |
| | Q307003000 | JUNTA TORICA 16.01X10.77X2.62 | O-RING 16.01X10.77X2.62 | 3 | | | | | | | |
| 9 | 3702400000 | TUBO GOMA NEGRO D 8*4 | BLACK RUBBER PIPE Ø 8*4 | 1 | | | | | | | |
| | P102154000 | BRIDA ELASTICA TUBO | ELASTIC PIPE FLANGE | 2 | | | | | | | |
| 10 | Z203020000 | RETENEDOR DE CABLE | CABLE HOLDER | 1 | | | | | | | |
| | Z603025000 | REGLETA DE CONEXIONES | CONNECTION STRIP | 1 | | | | | | | |
| | Q032021000 | TORNILLO ALOMADO M4X10 | CURVED SCREW M4X10 | 1 | | | | | | | |
| | Q162020000 | TUERCA EXAGONAL M4 | HEXAGONAL NUT M4 | 1 | | | | | | | |
| 11 | Z263002000 | VAINA INDICADOR COMPLETA | COMPLETE INDICATOR SHELL | 1 | | | | | | | |
| | Q306024000 | JUNTA TORICA 18x12,5x1,5 | O-RING 18x12.5x1.5 | 1 | | | | | | | |
| | Q162070000 | TUERCA EXAGONAL M12 | HEXAGONAL NUT M12 | 1 | | | | | | | |
| 12 | Z433011000 | PRESOSTATO DOBLE | DOUBLE PRESSURE SWITCH | 1 | | | | | | | |
| | Z602923000 | SOPORTE PRESOSTATO | PRESSURE SWITCH SUPPORT | 1 | | | | | | | |
| | Q082032000 | TORNILLO ALOMADO BZ-3,5X9,5 | CURVED SCREW BZ-3.5x9.5 | 1 | | | | | | | |
| | Q152004000 | TORNILLO APLASTADO M5x13 A304 | FLAT HEADED BOLT M5x13 A304 | 1 | | | | | | | |
| | Q242030000 | ARANDELA ABANICO A5 A.304 | FAN WASHER A5 A.304 | 1 | | | | | | | |
| | Q162030000 | TUERCA EXAGONAL M5 | HEXAGONAL NUT M5 | 1 | | | | | | | |
| 13 | Z433002000 | PROGRAMADOR CICLO | CYCLE PROGRAMMER | 1 | | | | | | | |
| | Z203007000 | CASQUILLO | BUSHING | 2 | | | | | | | |
| | Q041324000 | TORN. AVELLANADO M4X25 H.ZINC | HEXAGONAL COUNTERSUNK M4 | 2 | | | | | | | |
| 14 | Z442905000 | FRENTE COMPLETO 21 | COMPLETE FRONT 21 | 1 | | | | | | | |
| | Q152004000 | TORNILLO APLASTADO M5x13 A304 | FLAT HEADED BOLT M5x13 A304 | 2 | | | | | | | |
| 15 | Z208922000 | EMBELLECEDOR ADHES. LVC-21C | ADHES. TRIM LVC-21C | 1 | | | | | | | |

| MOD. | | LAVAVASOS | | ZONA | CONJUNTO FUNCIONAL ELECTRICO | | | | PLANO | C-2121 |
|------|------------|-------------------------------|-----------------------------|---------|------------------------------|--|--|--|-------|--------|
| ITEM | CODIGO | DENOMINACION | TEXTO | LVC-21C | | | | | | NOTAS |
| 16 | R693056000 | PILOTO AMBAR 41227000A4 | AMBER PILOT 41227000A4 | 1 | | | | | | |
| 17 | Z203072000 | INDICADOR ANALOGICO | ANALOG INDICATOR | 2 | | | | | | |
| 18 | Z203069000 | BOTON DE MANDO | CONTROL BUTTON | 1 | | | | | | |
| 19 | Z203080000 | PULSADOR MARCHA NEGRO | BLACK RUN BUTTON | 1 | | | | | | |
| 20 | R223005000 | RESISTENCIA TANQUE | TANK RESISTOR | 1 | | | | | | |
| 21 | Z603602000 | SOPORTE RESISTENCIATANQUE | TANK RESISTOR SUPPORT | 1 | | | | | | |
| | Q232040000 | ARANDELA A6 | WASHER A6 | 1 | | | | | | |
| | Q162040000 | TUERCA EXAGONAL M6 | HEXAGONAL NUT M6 | 1 | | | | | | |
| 22 | Z401713000 | CAPERUZA RESISTENC. CALDERIN | BOILER RESIST. CAP | 1 | | | | | | |
| | Q163140000 | TUERCA EXAGONAL M6 LATON | HEXAGONAL NUT M6 BRASS | 2 | | | | | | |
| | Q242030000 | ARANDELA ABANICO A5 A.304 | FAN WASHER A5 A.304 | 2 | | | | | | |
| | Q152004000 | TORNILLO APLASTADO M5x13 A304 | FLAT HEADED BOLT M5x13 A304 | 2 | | | | | | |
| 23 | Z421712000 | RESISTENCIA CALDERIN 2800W | BOILER RESISTOR 2800W | 1 | | | | | | |
| | Q221301000 | TUERCA EXAG.AUTOBLOCANTE M6 | SELF-LOCK HEX NUT M6 | 2 | | | | | | |
| | Q163140000 | TUERCA EXAGONAL M6 LATON | HEXAGONAL NUT M6 BRASS | 5 | | | | | | |
| | Q262040000 | ARANDELA GROW. A6 A.304 | WASHER GROW. A6 A.304 | 5 | | | | | | |
| 24 | Q307053000 | JUNTA TORICA 43.82X54.48X5.35 | "O" RING 43.82X54.48X5.35 | 1 | | | | | | |
| 25 | Z393005000 | TERMOSTATO CALDERIN | WASH DRUM THERMOSTAT | 1 | | | | | | |
| | Q152024000 | TORNILLO AVELLANADO M4X8 A304 | COUNTERSUNK BOLT M4X8 A304 | 2 | | | | | | |
| 26 | N503017000 | SOPORTE TERMOSTATO 1001713 | THERMOSTAT SUPPORT 1001713 | 1 | | | | | | |
| 27 | Z718405000 | TERMOSTATO DOBLE | DOUBLE THERMOSTAT | 1 | | | | | | |
| 28 | V817100000 | CONDENSADOR 6 M.F. | CONDENSER 6 M.F. | 1 | | | | | | |
| | | | | | | | | | | |
| | | | | | | | | | | |
| | | | | | | | | | | |
| | | | | | | | | | | |
| | | | | | | | | | | |
| | | | | | | | | | | |
| | | | | | | | | | | |
| | | | | | | | | | | |
| | | | | | | | | | | |
| | | | | | | | | | | |
| | | | | | | | | | | |
| | | | | | | | | | | |
| | | | | | | | | | | |
| | | | | | | | | | | |
| | | | | | | | | | | |
| | | | | | | | | | | |



ITEM MARCADO EN COLOR = REPUESTO RECOMENDADO
 COLOURED ITEM = RECOMMENDED SPARE PART

| | | | | | | |
|---------|--------------------|---------|-------------------|------------------------------|--------|---------------------------------------|
| N plano | Firma | Fecha | Aparato | CONJUNTO FUNCIONAL ELECTRICO | Lamina | Fagor Industrial S.Coop. FAGOR |
| C-2122 | <i>[Signature]</i> | 2009-10 | LAVAVASOS LVC-21W | | 13 | Oñate |

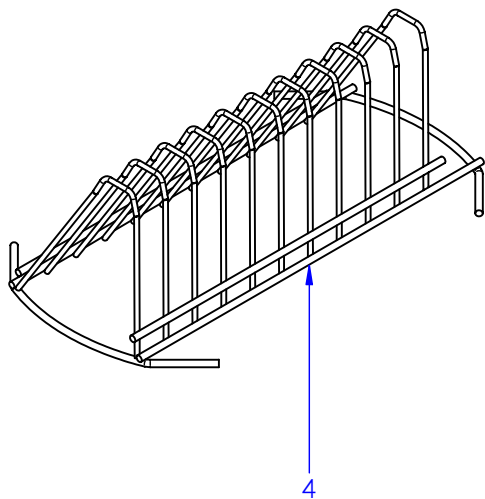
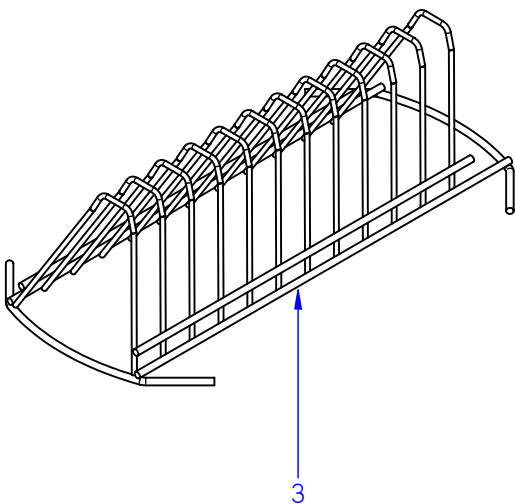
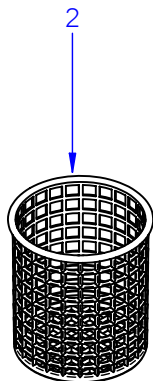
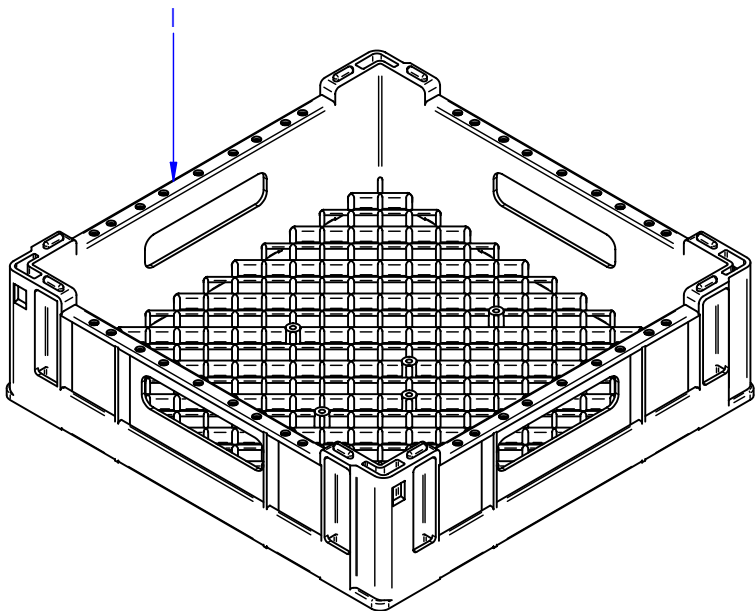
| MOD. | | LAVAVASOS | | ZONA | | CONJUNTO FUNCIONAL ELECTRICO | | | | PLANO | | C-2122 | |
|------|------------|-----------------------------------|--------------------------------|---------|--|------------------------------|--|--|--|-------|--|--------|-------|
| ITEM | CODIGO | DENOMINACION | TEXTO | LVC-21W | | | | | | | | | NOTAS |
| 1 | Z203010000 | AMARRE INTERRUPT. MAGNETICO | MAGNETIC SWITCH FASTENER | 1 | | | | | | | | | |
| 2 | Z203009000 | INTERRUPTOR MAGNETICO | MAGNETIC SWITCH | 1 | | | | | | | | | |
| 3 | Z433001000 | CONMUTADOR DE FUNCIONES | FUNCTIONS SWITCH | 1 | | | | | | | | | |
| 4 | Z203062000 | RELE 230V. 16A 50-60 HZ | RELAY 230V. 16A 50-60 HZ | 1 | | | | | | | | | |
| 5 | Z203050000 | CONTACT. SIRIUS 3R 230 V.50-60 HZ | CONTACT. SIRIUS 3R 230 V.50/60 | 1 | | | | | | | | | |
| 5 | Z213007000 | CONTACTOR 230 V. 50-60 HZ | CONTACTOR 230 V. 50-60 HZ | 1 | | | | | | | | | |
| 6 | Z203011000 | CAMARA PRESOSTATO | PRESSURE SWITCH | 1 | | | | | | | | | |
| 7 | Z203012000 | EMPALME PRESOSTATO | PRESSURE SWITCH CONNEX | 1 | | | | | | | | | |
| 8 | Z203013000 | TORNILLO PRESOSTATO | PRESSURE SWITCH BOLT | 1 | | | | | | | | | |
| | Q307003000 | JUNTA TORICA 16.01X10.77X2.62 | O-RING 16.01X10.77X2.62 | 3 | | | | | | | | | |
| 9 | 3702400000 | TUBO GOMA NEGRO D 8*4 | BLACK RUBBER PIPE Ø 8*4 | 1 | | | | | | | | | |
| | P102154000 | BRIDA ELASTICA TUBO | ELASTIC PIPE FLANGE | 2 | | | | | | | | | |
| 10 | Z203020000 | RETENEDOR DE CABLE | CABLE HOLDER | 1 | | | | | | | | | |
| | U183046000 | REGLETA AUXILIAR | AUXILIARY STRIP | 1 | | | | | | | | | |
| | Q032021000 | TORNILLO ALOMADO M4X10 | CURVED SCREW M4X10 | 2 | | | | | | | | | |
| | Q162020000 | TUERCA EXAGONAL M4 | HEXAGONAL NUT M4 | 2 | | | | | | | | | |
| 11 | Z263002000 | VAINA INDICADOR COMPLETA | COMPLETE INDICATOR SHELL | 1 | | | | | | | | | |
| | Q306024000 | JUNTA TORICA 18x12,5x1,5 | O-RING 18x12.5x1.5 | 1 | | | | | | | | | |
| | Q162070000 | TUERCA EXAGONAL M12 | HEXAGONAL NUT M12 | 1 | | | | | | | | | |
| 12 | Z433011000 | PRESOSTATO DOBLE | DOUBLE PRESSURE SWITCH | 1 | | | | | | | | | |
| | Z602923000 | SOPORTE PRESOSTATO | PRESSURE SWITCH SUPPORT | 1 | | | | | | | | | |
| | Q082032000 | TORNILLO ALOMADO BZ-3,5X9,5 | CURVED SCREW BZ-3.5x9.5 | 1 | | | | | | | | | |
| | Q152004000 | TORNILLO APLASTADO M5x13 A304 | FLAT HEADED BOLT M5x13 A304 | 1 | | | | | | | | | |
| | Q242030000 | ARANDELA ABANICO A5 A.304 | FAN WASHER A5 A.304 | 1 | | | | | | | | | |
| | Q162030000 | TUERCA EXAGONAL M5 | HEXAGONAL NUT M5 | 1 | | | | | | | | | |
| 13 | Z448302000 | PROGRAMADOR CICLO 2' 60HZ | CYCLE PROGRAMMER 2' 60HZ | 1 | | | | | | | | | |
| | Z203007000 | CASQUILLO | BUSHING | 2 | | | | | | | | | |
| | Q041324000 | TORN. AVELLANADO M4X25 H.ZINC | HEXAGONAL COUNTERSUNK M4 | 2 | | | | | | | | | |
| 14 | Z458407000 | FRENTE COMPLETO 21W | COMPLETE FRONT 21W | 1 | | | | | | | | | |
| | Q152004000 | TORNILLO APLASTADO M5x13 A304 | FLAT HEADED BOLT M5x13 A304 | 2 | | | | | | | | | |
| 15 | Z458406000 | EMBELLECEDOR ADHE. LVC-21W | ADHES. TRIM LVC-21W | 1 | | | | | | | | | |

| | | | | | |
|------|-----------|------|------------------------------|-------|--------|
| MOD. | LAVAVASOS | ZONA | CONJUNTO FUNCIONAL ELECTRICO | PLANO | C-2122 |
|------|-----------|------|------------------------------|-------|--------|

| ITEM | CODIGO | DENOMINACION | TEXTO | LVC-21W | | | | | | | | NOTAS |
|------|------------|-------------------------------|-----------------------------|---------|--|--|--|--|--|--|--|----------------------|
| 16 | Z273060000 | TERMOMETRO W NSF | THERMOMETER W NSF | 2 | | | | | | | | |
| 17 | R693056000 | PILOTO AMBAR 41227000A4 | AMBER PILOT 41227000A4 | 1 | | | | | | | | |
| 18 | Z203069000 | BOTON DE MANDO | CONTROL BUTTON | 1 | | | | | | | | |
| 19 | Z203080000 | PULSADOR MARCHA NEGRO | BLACK RUN BUTTON | 1 | | | | | | | | ELIMINADO 01.01.10 |
| 19 | Z513022000 | PULSADOR NEGRO | BLACK BUTTON | 1 | | | | | | | | INTRODUCIDO 01.01.10 |
| 20 | R223005000 | RESISTENCIA TANQUE | TANK RESISTOR | 1 | | | | | | | | |
| 21 | Z603602000 | SOPORTE RESISTENCIATANQUE | TANK RESISTOR SUPPORT | 1 | | | | | | | | |
| | Q232040000 | ARANDELA A6 | WASHER A6 | 1 | | | | | | | | |
| | Q162040000 | TUERCA EXAGONAL M6 | HEXAGONAL NUT M6 | 1 | | | | | | | | |
| 22 | Z401713000 | CAPERUZA RESISTENC. CALDERIN | BOILER RESIST. CAP | 1 | | | | | | | | |
| | Q163140000 | TUERCA EXAGONAL M6 LATON | HEXAGONAL NUT M6 BRASS | 2 | | | | | | | | |
| | Q242030000 | ARANDELA ABANICO A5 A.304 | FAN WASHER A5 A.304 | 2 | | | | | | | | |
| | Q152004000 | TORNILLO APLASTADO M5x13 A304 | FLAT HEADED BOLT M5x13 A304 | 2 | | | | | | | | |
| 23 | Z421712000 | RESISTENCIA CALDERIN 2800W | BOILER RESISTOR 2800W | 1 | | | | | | | | |
| | Q221301000 | TUERCA EXAG.AUTOBLOCANTE M6 | SELF-LOCK HEX NUT M6 | 2 | | | | | | | | |
| | Q163140000 | TUERCA EXAGONAL M6 LATON | HEXAGONAL NUT M6 BRASS | 5 | | | | | | | | |
| | Q262040000 | ARANDELA GROW. A6 A.304 | WASHER GROW. A6 A.304 | 5 | | | | | | | | |
| 24 | Q307053000 | JUNTA TORICA 43.82X54.48X5.35 | "O" RING 43.82X54.48X5.35 | 1 | | | | | | | | |
| 25 | Z393005000 | TERMOSTATO CALDERIN | WASH DRUM THERMOSTAT | 1 | | | | | | | | |
| | Q152024000 | TORNILLO AVELLANADO M4X8 A304 | COUNTERSUNK BOLT M4X8 A304 | 2 | | | | | | | | |
| 26 | N503017000 | SOPORTE TERMOSTATO 1001713 | THERMOSTAT SUPPORT 1001713 | 1 | | | | | | | | |
| 27 | Z718441000 | TERMOSTATO DOBLE W | DOUBLE THERMOSTAT W | 1 | | | | | | | | |
| 28 | V817100000 | CONDENSADOR 6 M.F. | CONDENSER 6 M.F. | 1 | | | | | | | | |
| | | | | | | | | | | | | |
| | | | | | | | | | | | | |
| | | | | | | | | | | | | |
| | | | | | | | | | | | | |
| | | | | | | | | | | | | |
| | | | | | | | | | | | | |
| | | | | | | | | | | | | |
| | | | | | | | | | | | | |
| | | | | | | | | | | | | |
| | | | | | | | | | | | | |
| | | | | | | | | | | | | |
| | | | | | | | | | | | | |
| | | | | | | | | | | | | |
| | | | | | | | | | | | | |

N plano
C-2123
Firma
Fecha
2009-10
Aparato
LAVAVASOS LVC
CESTILLOS
Lamina
14
Fagor Industrial S. Coop.
Omate

ITEM MARCADO EN COLOR = REPUESTO RECOMENDADO
COLOURED ITEM = RECOMMENDED SPARE PART



MOD.

LAVAVASOS

ZONA

CESTILLOS

PLANO

C-2123

| ITEM | CODIGO | DENOMINACION | TEXTO | LVC-12 | LVC-15 | LVC-15D | LVC-21 | LVC-21D | LVC-21B | LVC-21C | LVC-21W | NOTAS |
|------|------------|-------------------------------|----------------------------|--------|--------|---------|--------|---------|---------|---------|---------|-------|
| 1 | Z415320000 | CESTILLO LVC-12/15 | BASKET LVC-12/15 | 2 | 2 | 2 | - | - | - | - | - | |
| 1 | Z445320000 | CESTILLO LVC-21 | BASKET LVC-21 | - | - | - | 2 | 2 | 2 | 2 | 2 | |
| 2 | Z605303000 | CESTILLO CUBIERTOS | CUTLERY BASKET | 1 | 1 | 1 | 1 | 1 | 1 | 1 | 1 | |
| 3 | Z605302000 | SUPLEMENT. CESTILLOS LAVA.-12 | SUPPLEMENT. WASH BASKET.-1 | - | 1 | 1 | - | - | - | - | - | |
| 4 | Z625302000 | SUPLEMENT. PLATILLOS LAVAV.18 | SUPPLEMENT. GLASS WASHER | - | - | - | 1 | 1 | 1 | 1 | 1 | |
| | | | | | | | | | | | | |
| | | | | | | | | | | | | |
| | | | | | | | | | | | | |
| | | | | | | | | | | | | |
| | | | | | | | | | | | | |
| | | | | | | | | | | | | |
| | | | | | | | | | | | | |
| | | | | | | | | | | | | |
| | | | | | | | | | | | | |
| | | | | | | | | | | | | |
| | | | | | | | | | | | | |
| | | | | | | | | | | | | |
| | | | | | | | | | | | | |
| | | | | | | | | | | | | |
| | | | | | | | | | | | | |
| | | | | | | | | | | | | |
| | | | | | | | | | | | | |
| | | | | | | | | | | | | |
| | | | | | | | | | | | | |
| | | | | | | | | | | | | |
| | | | | | | | | | | | | |
| | | | | | | | | | | | | |
| | | | | | | | | | | | | |
| | | | | | | | | | | | | |
| | | | | | | | | | | | | |
| | | | | | | | | | | | | |
| | | | | | | | | | | | | |
| | | | | | | | | | | | | |

| MOD. | | LAVAVASOS | | ZONA | VARIOS | | | | | | | PLANO | |
|------|------------|-----------------------------|----------------------------|--------|--------|---------|--------|---------|---------|---------|---------|----------------|--|
| ITEM | CODIGO | DENOMINACION | TEXTO | LVC-12 | LVC-15 | LVC-15D | LVC-21 | LVC-21D | LVC-21B | LVC-21C | LVC-21W | NOTAS | |
| | Z406132000 | FOLLETO INSTRUCCIONES | INSTRUCTION LEAFLET. | 1 | 1 | 1 | 1 | 1 | 1 | 1 | - | | |
| | Z408432000 | FOLLETO INSTRUCCIONES | INSTRUCTION LEAFLET. | - | - | - | - | - | - | - | 1 | | |
| | Z393010000 | ESQUEMA TEORICO ADH. LVC-12 | THEORETICAL. DIAGRAM ADHE. | 1 | - | - | - | - | - | - | - | PLANO HC-16738 | |
| | Z403014000 | ESQUEMA TEORICO ADH. LVC-15 | THEORETICAL DIAGRAM ADHE. | - | 1 | - | 1 | - | - | - | - | PLANO HC-16496 | |
| | Z473002000 | ESQUEMA TEORICO AD. LVC-15D | THEORETICAL DIAGRAM ADHE. | - | - | 1 | - | 1 | - | - | - | PLANO HC-16531 | |
| | Z433009000 | ESQUEMA TEORICO AD. LVC-21B | THEORETICAL DIAGRAM ADHE. | - | - | - | - | - | 1 | 1 | - | PLANO HC-17195 | |
| | Z438402000 | ESQUEMA TEORICO AD. LVC-21W | THEORETICAL DIAGRAM ADHE. | - | - | - | - | - | - | - | 1 | PLANO HC-17117 | |
| | Z393035000 | ESQUEMA MONTAJE LVC-12 | ASSEMBLY DIAGRAM LVC-12 | 1 | - | - | - | - | - | - | - | PLANO HC-16386 | |
| | Z403035000 | ESQUEMA MONTAJE LVC-15 | ASSEMBLY DIAGRAM LVC-15 | - | 1 | - | 1 | - | - | - | - | PLANO HC-16385 | |
| | Z473035000 | ESQUEMA MONTAJE LVC-15D | ASSEMBLY DIAGRAM LVC-15D | - | - | 1 | - | 1 | - | - | - | PLANO HC-16530 | |
| | Z433035000 | ESQUEMA MONTAJE LVC-21B | ASSEMBLY DIAGRAM LVC-21B | - | - | - | - | - | 1 | 1 | - | PLANO HC-16383 | |
| | Z433036000 | ESQUEMA MONTAJE LVC-21W | ASSEMBLY DIAGRAM LVC-21W | - | - | - | - | - | - | - | 1 | PLANO HC-18001 | |
| | Z393001000 | INSTALACION ELECTRICA | ELECTRIC INSTALLATION | 1 | - | - | - | - | - | - | - | | |
| | Z403011000 | INSTALACION ELECTRICA | ELECTRIC INSTALLATION | - | 1 | 1 | 1 | 1 | 1 | 1 | 1 | | |
| | Z603041000 | CABLE ALIMENTACION | SUPPLY CABLE | 1 | 1 | 1 | 1 | 1 | 1 | 1 | 1 | | |
| | Z473001000 | CABLEADO DESCALCIFICADOR | WATER SOFTENER WIRING | - | - | 1 | - | 1 | - | - | - | | |
| | Z433005000 | CABLEADO BOMBA DESAGÜE | DRAINAGE PUMP WIRING | - | - | - | - | - | 1 | 1 | 1 | | |
| | Z228436000 | CABLE DE ALIMENTACION USA | POWER CABLE USA | - | - | - | - | - | - | - | 1 | | |
| | | | | | | | | | | | | | |
| | | | | | | | | | | | | | |
| | | | | | | | | | | | | | |
| | | | | | | | | | | | | | |
| | | | | | | | | | | | | | |
| | | | | | | | | | | | | | |
| | | | | | | | | | | | | | |
| | | | | | | | | | | | | | |
| | | | | | | | | | | | | | |
| | | | | | | | | | | | | | |
| | | | | | | | | | | | | | |

MOD.

LAVAVASOS

ZONA

PIEZAS ESPECIFICAS PARA LA VERSION UK

PLANO

| ITEM | CODIGO | DENOMINACION | TEXTO | LVC-21B AR UK | | | | | | | NOTAS |
|------|------------|------------------------------|----------------------------|---------------|--|--|--|--|--|--|-------|
| | Z208912000 | RESIST. CALDERIN COMP. 2200W | COMP. BOILER RESIST. 2200W | 1 | | | | | | | |
| | Z468901000 | CABLE DE ALIMENTACION UK | POWER CABLE UK | 1 | | | | | | | |
| | | | | | | | | | | | |
| | | | | | | | | | | | |
| | | | | | | | | | | | |
| | | | | | | | | | | | |
| | | | | | | | | | | | |
| | | | | | | | | | | | |
| | | | | | | | | | | | |
| | | | | | | | | | | | |
| | | | | | | | | | | | |
| | | | | | | | | | | | |
| | | | | | | | | | | | |
| | | | | | | | | | | | |
| | | | | | | | | | | | |
| | | | | | | | | | | | |
| | | | | | | | | | | | |
| | | | | | | | | | | | |
| | | | | | | | | | | | |
| | | | | | | | | | | | |
| | | | | | | | | | | | |
| | | | | | | | | | | | |
| | | | | | | | | | | | |
| | | | | | | | | | | | |
| | | | | | | | | | | | |
| | | | | | | | | | | | |

| MOD. | | LAVAVASOS | | ZONA | | PIEZAS ESPECIFICAS PARA LA VERSION AZKOYEN | | | | PLANO | |
|------|------------|-----------------------------|---------------------------|-----------------|------------------|--|--------------------|--|--|-------|-------|
| ITEM | CODIGO | DENOMINACION | TEXTO | A-9 (LVC-12) | A-15 (LVC-15) | A-21 (LVC-21) | A-21B (LVC-21B) | | | | NOTAS |
| | Z658602000 | ASA PUERTA GRIS RAL 7039 | DOOR HANDLE GREY RAL 7039 | 1 | 1 | 1 | 1 | | | | |
| | Z230902000 | PASAMUROS DETERGENTE | DETERGENT WALL BUSHING | 1 | 1 | 1 | 1 | | | | |
| | Z448614000 | CONDUCTO ASPIRAC. AZKOYEN | EXTRACTOR PIPE. AZKOYEN | 1 | 1 | 1 | 1 | | | | |
| | Z448616000 | PEGATINA TOMA DETERGENTE | DETERGENT INTAKE LABEL | 1 | 1 | 1 | 1 | | | | |
| | Z468601000 | EMBELLECEDOR ADHESIVO A-9 | ADHESIVE TRIM A-9 | 1 | - | - | - | | | | |
| | Z418601000 | EMBELLECEDOR ADHESIVO A-15 | ADHESIVE TRIM A-15 | - | 1 | - | - | | | | |
| | Z448601000 | EMBELLECEDOR ADHESIVO A-21 | ADHESIVE TRIM A-21 | - | - | 1 | - | | | | |
| | Z458601000 | EMBELLECEDOR ADHESIVO A-21B | ADHESIVE TRIM A-21B | - | - | - | 1 | | | | |
| | Z402907000 | FRENTE EXTRAIBLE A-9 | REMOVABLE FRONT A-9 | 1 | - | - | - | | | | |
| | Z418602000 | FRENTE EXTRAIBLE A-15 | REMOVABLE FRONT A-15 | - | 1 | - | - | | | | |
| | Z448612000 | FRENTE EXTRAIBLE A-21 | REMOVABLE FRONT A-21 | - | - | 1 | - | | | | |
| | Z432903000 | FRENTE EXTRAIBLE 20B-21B | REMOVABLE FRONT 20B-21B | - | - | - | 1 | | | | |
| | Z658813000 | BOTON DE MANDO | CONTROL BUTTON | 1 | 1 | 1 | 1 | | | | |
| | Z658607000 | INDICADOR | INDICATOR | 1 | 1 | 1 | 1 | | | | |
| | Z203033000 | INTERRUPTOR GENERAL | POWER SWITCH | 1 | 1 | 1 | - | | | | |
| | Z410311000 | CAJA SOLDADA AZKOYEN 12-15 | WELDED BOX AZKOYEN 12-15 | 1 | 1 | - | - | | | | |
| | Z440311000 | CAJA SOLDADA AZKOYEN 21 | WELDED BOX AZKOYEN 21 | - | - | 1 | - | | | | |
| | Z458811000 | CAJA SOLDADA AZKOYEN 21B | WELDED BOX AZKOYEN 21B | - | - | - | 1 | | | | |
| | Z448613000 | CABLE DOSIFICADOR AZKOYEN | DISP. CABLE AZKOYEN | 1 | 1 | 1 | 1 | | | | |
| | R693055000 | PILOTO VERDE 41227000C7 | GREEN PILOT 41227000C7 | - | 1 | 1 | 1 | | | | |
| | Z403033000 | PULSADOR ACLARADO | RINSE BUTTON | - | 1 | 1 | - | | | | |
| | Z213033000 | PULSADOR MARCHA | START BUTTON | - | - | - | 1 | | | | |
| | Z213007000 | CONTACTOR 230 V. 50-60 HZ | CONTACTOR 230 V. 50-60 HZ | - | 1 | 2 | - | | | | |
| | Z468631000 | FOLLETO DE INSTRUCCIONES | INSTRUCTION LEAFLET | 1 | 1 | 1 | 1 | | | | |
| | | | | | | | | | | | |
| | | | | | | | | | | | |
| | | | | | | | | | | | |
| | | | | | | | | | | | |
| | | | | | | | | | | | |
| | | | | | | | | | | | |
| | | | | | | | | | | | |
| | | | | | | | | | | | |
| | | | | | | | | | | | |

| MOD. | | LAVAVASOS | | ZONA | | PIEZAS ESPECIFICAS PARA LA VERSION ASPES | | | PLANO | |
|------|------------|----------------------------|----------------------------|------------------------|------------------------|---|--|--|-------|-------|
| ITEM | CODIGO | DENOMINACION | TEXTO | LAB-1200 C (LVC-12) | LAB-1500 C (LVC-15) | LAB-2100 C (LVC-21) | | | | NOTAS |
| | Z448720000 | ARMAZON COMPLETO | COMPLETE FRAME | — | — | 1 | | | | |
| | Z468736000 | ESCUADRA AMARRE TAPA ASPES | ATTACHMENT BRACKET COVER | 2 | 2 | — | | | | |
| | Z448736000 | ESCUADRA AMARRE TAPA ASPES | ATTACHMENT BRACKET COVER | 2 | 2 | 2 | | | | |
| | Z468740000 | PUERTA COMPLETA | COMPLETE DOOR | 1 | 1 | — | | | | |
| | Z448740000 | PUERTA COMPLETA | COMPLETE DOOR | — | — | 1 | | | | |
| | Z468711000 | PASAMUROS CESTO CUADRADO | SQUARE BASKET WALL BUSHING | 1 | — | — | | | | |
| | Z468710000 | SOPORTE ACLARADO SUPERIOR | UPPER RINSE SUPPORT | 1 | — | — | | | | |
| | Z201903000 | SOPORTE RAMAS ACLARADO | RINSE BRANCH SUPPORT | 1 | — | — | | | | |
| | Z468713000 | RAMA ACLARADO A ASPES | RINSE BRANCH A ASPES | 1 | — | — | | | | |
| | Z468712000 | RAMA ACLARADO B ASPES | RINSE BRANCH B ASPES | 1 | — | — | | | | |
| | Z448713000 | RAMA ACLARADO A ASPES | RINSE BRANCH A ASPES | — | — | 1 | | | | |
| | Z448712000 | RAMA ACLARADO B ASPES | RINSE BRANCH B ASPES | — | — | 1 | | | | |
| | Z201905000 | TOBERA ACLARADO | RINSE NOZZLE | — | — | 10 | | | | |
| | Z201906000 | ENGANCHE TOB. ACLA.19728 | NOZZLE LATCH RINSE.19728 | — | — | 10 | | | | |
| | Z468765000 | ADHESIVO ASPES LAB-1200 C | ADHESIVE ASPES LAB-1200 C | 1 | — | — | | | | |
| | Z418765000 | ADHESIVO ASPES LAB-1500 C | ADHESIVE ASPES LAB-1500 C | — | 1 | — | | | | |
| | Z448765000 | ADHESIVO ASPES LAB-2100 C | ADHESIVE ASPES LAB-2100 C | — | — | 1 | | | | |
| | Z468734000 | FRENTE EXTRAIBLE ASPES | REMOVABLE FRONT ASPES | 1 | 1 | — | | | | |
| | Z448734000 | FRENTE EXTRAIBLE ASPES | REMOVABLE FRONT ASPES | — | — | 1 | | | | |
| | Z448737000 | PANEL POSTERIOR ASPES | REAR PANEL ASPES | — | — | 1 | | | | |
| | Z214902000 | BOTON DE MANDO COMPLETO | COMPLETE CONTROL BUTTON | 1 | 1 | 1 | | | | |
| | Z203033000 | INTERRUPTOR GENERAL | POWER SWITCH | 1 | 1 | 1 | | | | |
| | Z203062000 | RELE 230V. 16A 50-60 HZ | RELAY 230V. 16A 50-60 HZ | 1 | — | — | | | | |
| | R693055000 | PILOTO VERDE 41227000C7 | GREEN PILOT 41227000C7 | — | 1 | 1 | | | | |
| | Z403033000 | PULSADOR ACLARADO | RINSE BUTTON | — | 1 | 1 | | | | |
| | | | | | | | | | | |
| | | | | | | | | | | |
| | | | | | | | | | | |
| | | | | | | | | | | |
| | | | | | | | | | | |

| MOD. | | LAVAVASOS | | ZONA | | PIEZAS ESPECIFICAS PARA LA VERSION MOVILFRIT | | | | PLANO | |
|------|------------|------------------------------|-------------------------|--------------------|----------------------|---|--------------------|-----------------------|-----------------------|-------|----------------------|
| ITEM | CODIGO | DENOMINACION | TEXTO | MLV-35 (LVC-12) | MLV-35 S (LVC-15) | MLV-35 D (LVC-15D) | MLV-40 (LVC-21) | MLV-40-D (LVC-21D) | MLV-40-B (LVC-21B) | | NOTAS |
| | Z468740000 | PUERTA COMPLETA | COMPLETE DOOR | 1 | 1 | 1 | - | - | - | | ELIMINADO 30.04.10 |
| | Z468004000 | PUERTA COMPLETA EDESA | COMPLETE DOOR EDESA | 1 | 1 | 1 | - | - | - | | INTRODUCIDO 30.04.10 |
| | Z464602000 | ASA CHAPA LVS | HANDLE LVS | 1 | 1 | 1 | 1 | 1 | 1 | | INTRODUCIDO 30.04.10 |
| | Z448740000 | PUERTA COMPLETA | COMPLETE DOOR | - | - | - | 1 | 1 | 1 | | ELIMINADO 30.04.10 |
| | Z448003000 | PUERTA COMPLETA EDESA | COMPLETE DOOR EDESA | - | - | - | 1 | 1 | 1 | | INTRODUCIDO 30.04.10 |
| | Z464401000 | EMBELLECE. ADHESIVO MLV-35 | ADHESIVE TRIM MLV-35. | 1 | - | - | - | 1 | 1 | | |
| | Z414401000 | EMBELLECE. ADHESIVO MLV-35 S | ADHESIVE TRIM MLV-35S. | - | 1 | - | - | - | - | | |
| | Z484401000 | EMBELLECE. ADHESIVO MLV-35-D | ADHESIVE TRIM MLV-35-D. | - | - | 1 | - | - | - | | |
| | Z444401000 | EMBELLECE. ADHESIVO MLV-40 | ADHESIVE TRIM MLV-40. | - | - | - | 1 | - | - | | |
| | Z504401000 | EMBELLECE. ADHESIVO MLV-40-D | ADHESIVE TRIM MLV-40-D. | - | - | - | - | 1 | - | | |
| | Z454401000 | EMBELLECE. ADHESIVO MLV-40-B | ADHESIVE TRIM MLV-40-B. | - | - | - | - | - | 1 | | |
| | Z402907000 | FRENTE EXTRAIBLE | REMOVABLE FRONT | 1 | 1 | - | - | - | - | | |
| | Z472901000 | FRENTE EXTRAIBLE | REMOVABLE FRONT | - | - | 1 | - | - | - | | |
| | Z422907000 | FRENTE EXTRAIBLE | REMOVABLE FRONT | - | - | - | 1 | - | - | | |
| | Z492901000 | FRENTE EXTRAIBLE | REMOVABLE FRONT | - | - | - | - | 1 | - | | |
| | Z432903000 | FRENTE EXTRAIBLE | REMOVABLE FRONT | - | - | - | - | - | 1 | | |
| | Z663062000 | BOTON DE MANDO | CONTROL BUTTON | 1 | 1 | 2 | 1 | 2 | 1 | | |
| | Z203033000 | INTERRUPTOR GENERAL | POWER SWITCH | 1 | 1 | - | 1 | - | - | | |
| | R693055000 | PILOTO VERDE 41227000C7 | GREEN PILOT 41227000C7 | - | 1 | 1 | 1 | 1 | 1 | | |
| | Z403033000 | PULSADOR ACLARADO | RINSE BUTTON | - | 1 | 1 | 1 | 1 | - | | |
| | Z213033000 | PULSADOR MARCHA | START BUTTON | - | - | - | - | - | 1 | | |
| | | | | | | | | | | | |
| | | | | | | | | | | | |
| | | | | | | | | | | | |
| | | | | | | | | | | | |
| | | | | | | | | | | | |
| | | | | | | | | | | | |
| | | | | | | | | | | | |
| | | | | | | | | | | | |
| | | | | | | | | | | | |
| | | | | | | | | | | | |
| | | | | | | | | | | | |
| | | | | | | | | | | | |
| | | | | | | | | | | | |

| | | | | | |
|-------------|------------------|-------------|---|--------------|--|
| MOD. | LAVAVASOS | ZONA | PIEZAS ESPECIFICAS PARA LA VERSION CELIKAY | PLANO | |
|-------------|------------------|-------------|---|--------------|--|

| ITEM | CODIGO | DENOMINACION | TEXTO | CBY-1200 (LVC-12) | | | | | | | NOTAS |
|------|------------|----------------------------|----------------------------|----------------------|--|--|--|--|--|--|-------|
| | Z468736000 | ESCUADRA AMARRE TAPA | COVER FASTENING BRACKET | 2 | | | | | | | |
| | Z468740000 | PUERTA COMPLETA | COMPLETE DOOR | 1 | | | | | | | |
| | Z468711000 | PASAMUROS CESTO CUADRADO | SQUARE BASKET WALL BUSHING | 1 | | | | | | | |
| | Z468710000 | SOPORTE ACLARADO SUPERIOR | UPPER RINSE SUPPORT | 1 | | | | | | | |
| | Z201903000 | SOPORTE RAMAS ACLARADO | RINSE BRANCH SUPPORT | 1 | | | | | | | |
| | Z468713000 | RAMA ACLARADO A ASPES | RINSE BRANCH A ASPES | 1 | | | | | | | |
| | Z468712000 | RAMA ACLARADO B ASPES | RINSE BRANCH B ASPES | 1 | | | | | | | |
| | Z468203000 | EMBELLEC. ADHESIVO CELIKAY | ADHESIVE TRIM CELIKAY. | 1 | | | | | | | |
| | Z468734000 | FRENTE EXTRAIBLE | REMOVABLE FRONT | 1 | | | | | | | |
| | R663062000 | BOTON DE MANDO | CONTROL BUTTON | 1 | | | | | | | |
| | Z203033000 | INTERRUPTOR GENERAL | POWER SWITCH | 1 | | | | | | | |
| | Z203062000 | RELE 230V. 16A 50-60 HZ | RELAY 230V. 16A 50-60 HZ | 1 | | | | | | | |
| | | | | | | | | | | | |
| | | | | | | | | | | | |
| | | | | | | | | | | | |
| | | | | | | | | | | | |
| | | | | | | | | | | | |
| | | | | | | | | | | | |
| | | | | | | | | | | | |
| | | | | | | | | | | | |
| | | | | | | | | | | | |
| | | | | | | | | | | | |
| | | | | | | | | | | | |
| | | | | | | | | | | | |
| | | | | | | | | | | | |
| | | | | | | | | | | | |
| | | | | | | | | | | | |
| | | | | | | | | | | | |
| | | | | | | | | | | | |
| | | | | | | | | | | | |
| | | | | | | | | | | | |
| | | | | | | | | | | | |
| | | | | | | | | | | | |
| | | | | | | | | | | | |
| | | | | | | | | | | | |

| MOD. | | LAVAVASOS | | ZONA | | PIEZAS ESPECIFICAS PARA LA VERSION DIVA | | | | | PLANO | |
|------|------------|----------------------------|----------------------------|----------------------|--|--|--|--|--|--|-------|----------------------|
| ITEM | CODIGO | DENOMINACION | TEXTO | DBY-1000 (LVC-12) | | | | | | | | NOTAS |
| | Z468736000 | ESCUADRA AMARRE TAPA | COVER FASTENING BRACKET | 2 | | | | | | | | |
| | Z650531000 | ASA PUERTA NEGRA | BLACK DOOR HANDLE | 1 | | | | | | | | ELIMINADO 05.06.09 |
| | Z400545000 | ASA NEGRA | BLACK HANDLE | 1 | | | | | | | | INTRODUCIDO 05.06.09 |
| | Z468711000 | PASAMUROS CESTO CUADRADO | SQUARE BASKET WALL BUSHING | 1 | | | | | | | | |
| | Z468710000 | SOPORTE ACLARADO SUPERIOR | UPPER RINSE SUPPORT | 1 | | | | | | | | |
| | Z201903000 | SOPORTE RAMAS ACLARADO | RINSE BRANCH SUPPORT | 1 | | | | | | | | |
| | Z468713000 | RAMA ACLARADO A ASPES | RINSE BRANCH A ASPES | 1 | | | | | | | | |
| | Z468712000 | RAMA ACLARADO B ASPES | RINSE BRANCH B ASPES | 1 | | | | | | | | |
| | Z468202000 | EMBELLECEDOR ADHESIVO DIVA | ADHESIVE TRIM DIVA | 1 | | | | | | | | |
| | Z468734000 | FRENTE EXTRAIBLE | REMOVABLE FRONT | 1 | | | | | | | | |
| | Z214902000 | BOTON DE MANDO | CONTROL BUTTON | 1 | | | | | | | | |
| | Z203033000 | INTERRUPTOR GENERAL | POWER SWITCH | 1 | | | | | | | | |
| | Z203062000 | RELE 230V. 16A 50-60 HZ | RELAY 230V. 16A 50-60 HZ | 1 | | | | | | | | |
| | | | | | | | | | | | | |
| | | | | | | | | | | | | |
| | | | | | | | | | | | | |
| | | | | | | | | | | | | |
| | | | | | | | | | | | | |
| | | | | | | | | | | | | |
| | | | | | | | | | | | | |
| | | | | | | | | | | | | |
| | | | | | | | | | | | | |
| | | | | | | | | | | | | |
| | | | | | | | | | | | | |
| | | | | | | | | | | | | |
| | | | | | | | | | | | | |
| | | | | | | | | | | | | |
| | | | | | | | | | | | | |
| | | | | | | | | | | | | |
| | | | | | | | | | | | | |
| | | | | | | | | | | | | |

| | | | | |
|-------------|------------------|-------------|--|--------------|
| MOD. | LAVAVASOS | ZONA | PIEZAS ESPECIFICAS PARA LA VERSION CORECO | PLANO |
|-------------|------------------|-------------|--|--------------|

| ITEM | CODIGO | DENOMINACION | TEXTO | CLV-12 (LVC-12) | CLV-15 (LVC-15) | CLV-15 CD (LVC-15D) | CLV-21 C (LVC-21) | CLV-21 CD (LVC-21D) | | | |
|------|------------|------------------------------|------------------------|--------------------|--------------------|-------------------------|-----------------------|-------------------------|--|--|--|
| | Z464602000 | ASA CHAPA LVS | PLATE HANDLE LVS | 1 | 1 | 1 | 1 | 1 | | | |
| | Z468101000 | EMBELLECEDOR ADHESIV. CLV-12 | ADHESIVE TRIM CLV-12 | 1 | - | - | - | - | | | |
| | Z418101000 | EMBELLECEDOR ADHESIV. CLV-15 | ADHESIVE TRIM CLV-15 | - | 1 | - | - | - | | | |
| | Z488101000 | EMBELLECEDOR ADHE. CLV-15-D | ADHES. TRIM CLV-15-D | - | - | 1 | - | - | | | |
| | Z448101000 | EMBELLECEDOR ADHE. CLV-21-C | ADHES. TRIM CLV-21-C | - | - | - | 1 | - | | | |
| | Z508101000 | EMBELLECEDOR ADH. CLV-21-CD | ADHES. TRIM CLV-21-CD | - | - | - | - | 1 | | | |
| | Z402907000 | FRENTE EXTRAIBLE | REMOVABLE FRONT | 1 | 1 | - | - | - | | | |
| | Z472901000 | FRENTE EXTRAIBLE | REMOVABLE FRONT | - | - | 1 | - | - | | | |
| | Z422907000 | FRENTE EXTRAIBLE | REMOVABLE FRONT | - | - | - | 1 | - | | | |
| | Z492901000 | FRENTE EXTRAIBLE | REMOVABLE FRONT | - | - | - | - | 1 | | | |
| | R663062000 | BOTON DE MANDO | CONTROL BUTTON | 1 | 1 | 2 | 1 | 2 | | | |
| | Z203033000 | INTERRUPTOR GENERAL | POWER SWITCH | 1 | 1 | - | 1 | - | | | |
| | R693055000 | PILOTO VERDE 41227000C7 | GREEN PILOT 41227000C7 | - | 1 | 1 | 1 | 1 | | | |
| | Z403033000 | PULSADOR ACLARADO | RINSE BUTTON | - | 1 | 1 | 1 | 1 | | | |
| | | | | | | | | | | | |
| | | | | | | | | | | | |
| | | | | | | | | | | | |
| | | | | | | | | | | | |
| | | | | | | | | | | | |
| | | | | | | | | | | | |
| | | | | | | | | | | | |
| | | | | | | | | | | | |
| | | | | | | | | | | | |
| | | | | | | | | | | | |
| | | | | | | | | | | | |
| | | | | | | | | | | | |
| | | | | | | | | | | | |
| | | | | | | | | | | | |
| | | | | | | | | | | | |
| | | | | | | | | | | | |
| | | | | | | | | | | | |
| | | | | | | | | | | | |
| | | | | | | | | | | | |
| | | | | | | | | | | | |
| | | | | | | | | | | | |

| | | | | |
|------|-----------|------|--|-------|
| MOD. | LAVAVASOS | ZONA | PIEZAS ESPECIFICAS PARA LA VERSION DOCRILUC | PLANO |
|------|-----------|------|--|-------|

| ITEM | CODIGO | DENOMINACION | TEXTO | DLV-12 (LVC-12) | DLV-15 (LVC-15) | DLV-15D (LVC-15D) | DLV-21 (LVC-21) | DLV-21-D (LVC-21D) | DLV-21-B (LVC-21B) | |
|------|------------|------------------------------|------------------------|--------------------|--------------------|----------------------|--------------------|-----------------------|-----------------------|--|
| | Z464602000 | ASA CHAPA LVS | PLATE HANDLE LVS | 1 | 1 | 1 | 1 | 1 | 1 | |
| | Z468633000 | ASA | HANDLE | 1 | 1 | 1 | 1 | 1 | 1 | ELIMINADO 11.11.09 INTRODUCIDO 11.11.09 |
| | Z461401000 | EMBELLECEDOR ADHESIV. DLV-12 | ADHESIVE TRIM DLV-12 | 1 | - | - | - | - | - | |
| | Z411401000 | EMBELLECEDOR ADHESIV. DLV-15 | ADHESIVE TRIM DLV-15 | - | 1 | - | - | - | - | |
| | Z481401000 | EMBELLECEDOR ADHE. DLV-15-D | ADHES. TRIM DLV-15-D | - | - | 1 | - | - | - | |
| | Z441401000 | EMBELLECEDOR ADHES DLV-21 | ADHESIVE TRIM DLV-21 | - | - | - | 1 | - | - | |
| | Z501401000 | EMBELLECEDOR ADHES DLV-21-D | ADHESIVE TRIM DLV-21-D | - | - | - | - | 1 | - | |
| | Z451401000 | EMBELLECEDOR ADHES DLV-21-B | ADHESIVE TRIM DLV-21-B | - | - | - | - | - | 1 | |
| | Z402907000 | FRENTE EXTRAIBLE | REMOVABLE FRONT | 1 | 1 | - | - | - | - | |
| | Z472901000 | FRENTE EXTRAIBLE | REMOVABLE FRONT | - | - | 1 | - | - | - | |
| | Z422907000 | FRENTE EXTRAIBLE | REMOVABLE FRONT | - | - | - | 1 | - | - | |
| | Z492901000 | FRENTE EXTRAIBLE | REMOVABLE FRONT | - | - | - | - | 1 | - | |
| | Z432903000 | FRENTE EXTRAIBLE 21B | REMOVABLE FRONT 21B | - | - | - | - | - | 1 | |
| | R663062000 | BOTON DE MANDO | CONTROL BUTTON | 1 | 1 | 2 | 1 | 2 | 1 | |
| | Z203033000 | INTERRUPTOR GENERAL | POWER SWITCH | 1 | 1 | - | 1 | - | - | |
| | R693055000 | PILOTO VERDE 41227000C7 | GREEN PILOT 41227000C7 | - | 1 | 1 | 1 | 1 | 1 | |
| | Z403033000 | PULSADOR ACLARADO | RINSE BUTTON | - | 1 | 1 | 1 | 1 | - | |
| | Z213033000 | PULSADOR MARCHA | START BUTTON | - | - | - | - | - | 1 | |
| | | | | | | | | | | |
| | | | | | | | | | | |
| | | | | | | | | | | |
| | | | | | | | | | | |
| | | | | | | | | | | |
| | | | | | | | | | | |
| | | | | | | | | | | |
| | | | | | | | | | | |
| | | | | | | | | | | |
| | | | | | | | | | | |
| | | | | | | | | | | |
| | | | | | | | | | | |
| | | | | | | | | | | |
| | | | | | | | | | | |
| | | | | | | | | | | |
| | | | | | | | | | | |

MOD. **LAVAVASOS** ZONA **PIEZAS ESPECIFICAS PARA LA VERSION GAGGIA** PLANO

| ITEM | CODIGO | DENOMINACION | TEXTO | GX-4C (LVC-15) | GX-5C (LVC-21) | | | | | | |
|------|------------|-----------------------------|------------------------|-------------------|-------------------|--|--|--|--|--|--|
| | Z464602000 | ASA CHAPA LVS | PLATE HANDLE LVS | 1 | 1 | | | | | | |
| | Z414601000 | EMBELLECEDOR ADHESIV. GX-4C | ADHESIVE TRIM GX-4C | 1 | 1 | | | | | | |
| | Z444601000 | EMBELLECEDOR ADHESIV. GX-5C | ADHESIVE TRIM GX-5C | 1 | 1 | | | | | | |
| | Z402907000 | FRENTE EXTRAIBLE | REMOVABLE FRONT | 1 | 1 | | | | | | |
| | Z422907000 | FRENTE EXTRAIBLE | REMOVABLE FRONT | 1 | 1 | | | | | | |
| | Z658813000 | BOTON DE MANDO | CONTROL BUTTON | 1 | 1 | | | | | | |
| | Z203033000 | INTERRUPTOR GENERAL | POWER SWITCH | 1 | 1 | | | | | | |
| | R693055000 | PILOTO VERDE 41227000C7 | GREEN PILOT 41227000C7 | 1 | 1 | | | | | | |
| | Z403033000 | PULSADOR ACLARADO | RINSE BUTTON | 1 | 1 | | | | | | |
| | | | | | | | | | | | |
| | | | | | | | | | | | |
| | | | | | | | | | | | |
| | | | | | | | | | | | |
| | | | | | | | | | | | |
| | | | | | | | | | | | |
| | | | | | | | | | | | |
| | | | | | | | | | | | |
| | | | | | | | | | | | |
| | | | | | | | | | | | |
| | | | | | | | | | | | |
| | | | | | | | | | | | |
| | | | | | | | | | | | |

| | | | | |
|------|-----------|------|--|-------|
| MOD. | LAVAVASOS | ZONA | PIEZAS ESPECIFICAS PARA LA VERSION FUTURMAT | PLANO |
|------|-----------|------|--|-------|

| ITEM | CODIGO | DENOMINACION | TEXTO | FV-20C (LVC-15) | FV-26C (LVC-21) | | | | | | |
|------|------------|-----------------------------|------------------------|--------------------|--------------------|--|--|--|--|--|--|
| | Z464602000 | ASA CHAPA LVS | PLATE HANDLE LVS | 1 | 1 | | | | | | |
| | Z414501000 | EMBELLECEDOR ADHESI. FV-20C | ADHES. TRIM FV-20C | 1 | 1 | | | | | | |
| | Z444501000 | EMBELLECEDOR ADHESI. FV-26C | ADHES. TRIM FV-26C | 1 | 1 | | | | | | |
| | Z402907000 | FRENTE EXTRAIBLE | REMOVABLE FRONT | 1 | 1 | | | | | | |
| | Z422907000 | FRENTE EXTRAIBLE | REMOVABLE FRONT | 1 | 1 | | | | | | |
| | Z204504000 | BOTON DE MANDO 6 GRIS | CONTROL BUTTON 6 GREY | 1 | 1 | | | | | | |
| | Z203033000 | INTERRUPTOR GENERAL | POWER SWITCH | 1 | 1 | | | | | | |
| | R693055000 | PILOTO VERDE 41227000C7 | GREEN PILOT 41227000C7 | 1 | 1 | | | | | | |
| | Z403033000 | PULSADOR ACLARADO | RINSE BUTTON | 1 | 1 | | | | | | |
| | | | | | | | | | | | |
| | | | | | | | | | | | |
| | | | | | | | | | | | |
| | | | | | | | | | | | |
| | | | | | | | | | | | |
| | | | | | | | | | | | |
| | | | | | | | | | | | |
| | | | | | | | | | | | |
| | | | | | | | | | | | |
| | | | | | | | | | | | |
| | | | | | | | | | | | |
| | | | | | | | | | | | |
| | | | | | | | | | | | |
| | | | | | | | | | | | |
| | | | | | | | | | | | |
| | | | | | | | | | | | |
| | | | | | | | | | | | |
| | | | | | | | | | | | |
| | | | | | | | | | | | |

| | | | | | |
|------|-----------|------|--|-------|--|
| MOD. | LAVAVASOS | ZONA | PIEZAS ESPECIFICAS PARA LA VERSION RESTOMAT | PLANO | |
|------|-----------|------|--|-------|--|

| ITEM | CODIGO | DENOMINACION | TEXTO | KM-21 (LVC-21) | KM-21B (LVC-21B) | | | | | | |
|------|------------|----------------------------|------------------------|-------------------|---------------------|--|--|--|--|--|--|
| | Z464602000 | ASA CHAPA LVS | PLATE HANDLE LVS | 1 | 1 | | | | | | |
| | Z444901000 | EMBELLECEDOR ADH. RESTOMAT | ADHES. TRIM RESTOMAT | 1 | - | | | | | | |
| | Z454901000 | EMBELLECEDOR ADH. RESTOMAT | ADHES. TRIM RESTOMAT | - | 1 | | | | | | |
| | Z422907000 | FRENTE EXTRAIBLE | REMOVABLE FRONT | 1 | - | | | | | | |
| | Z432903000 | FRENTE EXTRAIBLE | REMOVABLE FRONT | - | 1 | | | | | | |
| | Z214902000 | BOTON DE MANDO | CONTROL BUTTON | 1 | 1 | | | | | | |
| | Z203033000 | INTERRUPTOR GENERAL | POWER SWITCH | 1 | - | | | | | | |
| | R693055000 | PILOTO VERDE 41227000C7 | GREEN PILOT 41227000C7 | 1 | 1 | | | | | | |
| | Z403033000 | PULSADOR ACLARADO | RINSE BUTTON | 1 | 1 | | | | | | |
| | | | | | | | | | | | |
| | | | | | | | | | | | |
| | | | | | | | | | | | |
| | | | | | | | | | | | |
| | | | | | | | | | | | |
| | | | | | | | | | | | |
| | | | | | | | | | | | |
| | | | | | | | | | | | |
| | | | | | | | | | | | |
| | | | | | | | | | | | |
| | | | | | | | | | | | |
| | | | | | | | | | | | |
| | | | | | | | | | | | |
| | | | | | | | | | | | |
| | | | | | | | | | | | |
| | | | | | | | | | | | |
| | | | | | | | | | | | |
| | | | | | | | | | | | |
| | | | | | | | | | | | |
| | | | | | | | | | | | |
| | | | | | | | | | | | |
| | | | | | | | | | | | |
| | | | | | | | | | | | |
| | | | | | | | | | | | |

MOD. **LAVAVASOS** ZONA **PIEZAS ESPECIFICAS PARA LA VERSION SHARPLINE** PLANO

| ITEM | CODIGO | DENOMINACION | TEXTO | KM-21 (LVC-21) | | | | | | | |
|------|------------|------------------------------|----------------------------|-------------------|--|--|--|--|--|--|----------------------|
| | Z440311000 | CAJA SOLDADA 21B (FI+Azk UK) | WELDED BOX 21B (FI+Azk UK) | 1 | | | | | | | |
| | Z200512000 | ASA PUERTA COOL GRAY 10 | DOOR HANDLE COOL GRAY 10 | 1 | | | | | | | |
| | Z452902000 | EMBELLECEDOR ADH. SHARPLINE | ADHES. TRIM SHARPLINE | 1 | | | | | | | |
| | Z432903000 | FRENTE EXTRAIBLE | REMOVABLE FRONT | 1 | | | | | | | |
| | R663062000 | BOTON DE MANDO | CONTROL BUTTON | 1 | | | | | | | ELIMINADO 11.01.10 |
| | Z214902000 | BOTON DE MANDO | CONTROL BUTTON | 1 | | | | | | | INTRODUCIDO 11.01.10 |
| | R693055000 | PILOTO VERDE 41227000C7 | GREEN PILOT 41227000C7 | 1 | | | | | | | |
| | Z213033000 | PULSADOR MARCHA | START BUTTON | 1 | | | | | | | ELIMINADO 11.01.10 |
| | Z203080000 | PULSADOR MARCHA NEGRO | BLACK START BUTTON | 1 | | | | | | | INTRODUCIDO 11.01.10 |
| | Z230902000 | PASAMUROS DETERGENTE | DETERGENT WALL BUSHING | 1 | | | | | | | |
| | | | | | | | | | | | |
| | | | | | | | | | | | |
| | | | | | | | | | | | |
| | | | | | | | | | | | |
| | | | | | | | | | | | |
| | | | | | | | | | | | |
| | | | | | | | | | | | |
| | | | | | | | | | | | |
| | | | | | | | | | | | |
| | | | | | | | | | | | |
| | | | | | | | | | | | |
| | | | | | | | | | | | |
| | | | | | | | | | | | |
| | | | | | | | | | | | |
| | | | | | | | | | | | |
| | | | | | | | | | | | |
| | | | | | | | | | | | |
| | | | | | | | | | | | |

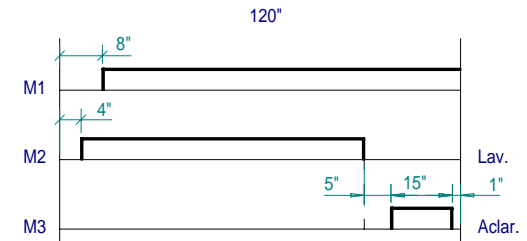
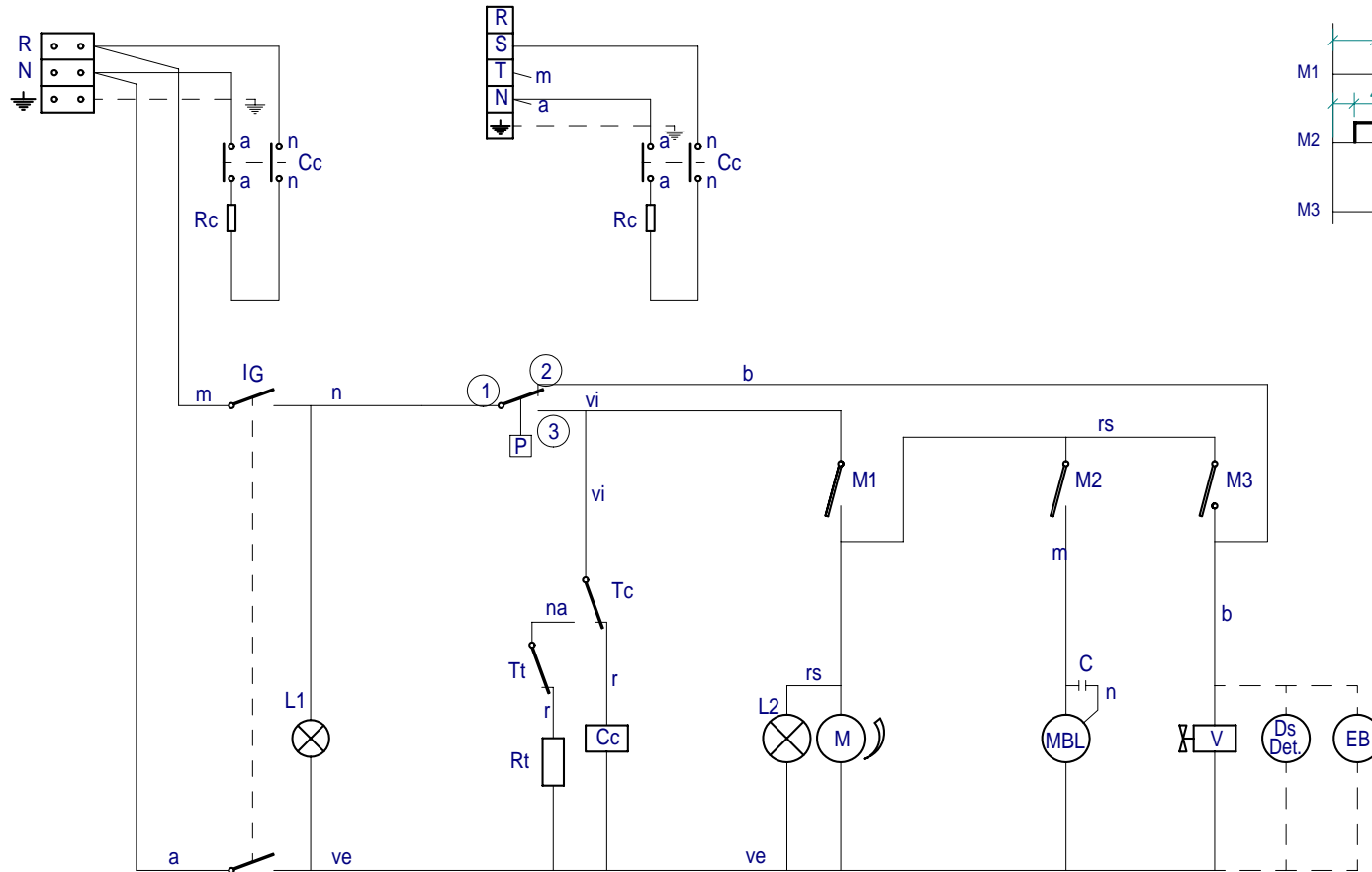
| MOD. | | LAVAVASOS | | ZONA | PIEZAS ESPECIFICAS PARA LA VERSION CULION | | | | | | PLANO |
|------|------------|-------------------------------|------------------------------|------------------|---|--|--|--|--|----------------|-------|
| ITEM | CODIGO | DENOMINACION | TEXTO | VGL 10 (LVC-21B) | | | | | | | |
| | Z448002000 | ESCUADRA AMARRE TAPA EDESA | ATTACHMENT BRACKET COVER | 2 | | | | | | | |
| | Z200550000 | ASA PUERTA COMPLETA | COMPLETE DOOR HANDLE | 1 | | | | | | | |
| | Z454501000 | EMBELLECEDOR ADHESIV. VGL10 | ADHESIVE TRIM VGL10 | 1 | | | | | | | |
| | Z448005000 | FRENTE EXTRAIBLE EDESA | EXTRACTABLE FRONT EDESA | 1 | | | | | | | |
| | Z468008000 | BASE EXTR. LV-1200-1500-2100 | EXTR. BASE LV-1200-1500-2100 | 1 | | | | | | | |
| | Z448007000 | TAPA COMPLETA LV-2100 | COMPLETE COVER LV-2100 | 1 | | | | | | | |
| | Z448009000 | ESCUADRA AMARRE JUNTA TAPA | FASTENING BRACKET SEAL COV | 1 | | | | | | | |
| | Z448010000 | PERFIL TAPA LV-2100 EDESA | COVER PROFILE LV-2100 EDESA | 1 | | | | | | | |
| | Z468025000 | DISTANCIA. INTERRUPTOR RELE | DISTANCE RELAY SWITCH | 1 | | | | | | | |
| | Z218036000 | SOPORTE COMPONENTES | COMPONENT SUPPORT | 1 | | | | | | | |
| | T302829000 | DISTANCIADOR COMPONENTES | SPACER COMPONENTS | 2 | | | | | | | |
| | Z393005000 | TERMOSTATO CALDERIN | WASH DRUM THERMOSTAT | 1 | | | | | | | |
| | Z748008000 | SOPORTE BULBO TERMOSTATO | THERMOSTAT BULB SUPPORT | 1 | | | | | | | |
| | Z218011000 | PROGRAMADOR GICAR TECLADO | KEYPAD GICAR PROGRAMMER | 1 | | | | | | | |
| | Z218012000 | PROGRAMADOR GICAR C.RELES | GICAR PROGRAMMER WITH REL | 1 | | | | | | | |
| | Z218030000 | INTERRUPTOR RELE C.I. | C.I. RELAY SWITCH | 1 | | | | | | | |
| | Z458002000 | ESQUEMA TEORICO LV 2100-B | THEORETICAL DIAGRAM LV 2100 | 1 | | | | | | PLANO HC-17966 | |
| | Z448017000 | PLANO MONTAJE LV EDESA | LV EDESA ASSEMBLY PLAN | 1 | | | | | | PLANO HC-18101 | |
| | Z218013000 | CABLEADO GICAR | WIRING GICAR | 1 | | | | | | | |
| | Z448016000 | INSTALACION ELEC.LAVAVASOS EI | GLASS WASHER ELEC. INSTALL | 1 | | | | | | | |
| | Z283022000 | CABLE TIERRA M.BOMBA | EARTH WIRE M. PUMP | 1 | | | | | | | |
| | Z454502000 | FOLLETO INSTRUCCIONES | INSTRUCTION LEAFLET. | 1 | | | | | | | |
| | | | | | | | | | | | |
| | | | | | | | | | | | |
| | | | | | | | | | | | |
| | | | | | | | | | | | |
| | | | | | | | | | | | |
| | | | | | | | | | | | |
| | | | | | | | | | | | |
| | | | | | | | | | | | |

LVR - 10; LVC - 12; A-9; LVC-12 T; CLV-12-C; DBY-1000;MLV-35; ASC-12

① ② ③ ④ ⑤

1N ~ 240V. 50 Hz.
2 ~ 220V. 50/60 Hz.

3N ~ 380 - 415 V.



CODIGO DE COLORES:

- r = rojo-red-rouge
- m = marron-brown-marron
- g = gris-grey-gris
- n = negro-black-noir
- a = azul-blue-bleu
- b = blanco-white-blanc
- vi = violeta-violette-violet
- am = amarillo-yellow-jaune
- na = naranja-orange-orange
- rs = rosa-rose-pink
- ve = verde-green-vert
- am/ve = amarillo verde-yellow green-jaune vert

Z393010000

- I_G = Interruptor General
- L1 = Lampara de marcha
- P = Presostato
- Tc = Termostato calderin
- Cc = Contactor calderin
- Rc = Resistencia calderin
- Ds Det = Dosificador de detergente (opcional)
- EB = Electrobomba de presión (Opcional)
- Tt = Termostato tanque
- Rt = Resistencia tanque

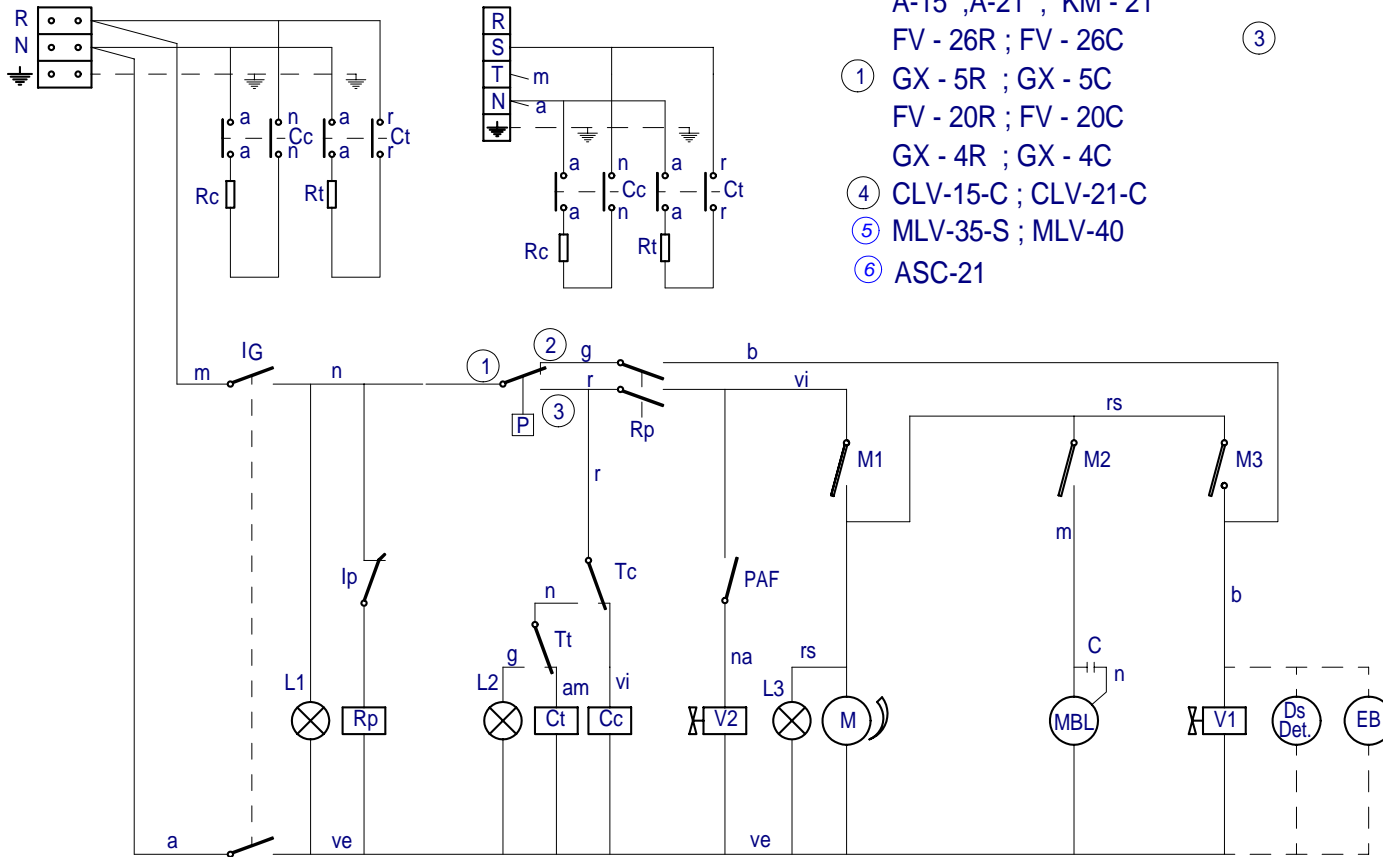
- M = Motor programador
- M1 = Micro programador marcha
- M2 = Micro programador lavado
- M3 = Micro programador aclarado
- L2 = Lámpara de ciclo
- MBL = Motobomba lavado
- C = Condensador de motobomba
- V = Válvula de llenado y aclarado

| | | | | |
|--------------------------|---------------------------------|----------------|--------------|------------------------|
| Esquema teorico adhesivo | | Papel adhesivo | Z-393010 | |
| Nº | Pieza | Cant. | Material | Nº Clasificacion |
| Nº | Modificacion | | Propuesta de | Fecha |
| ① | Introducir denominación LVC-12T | | Palacio | 20-4-98 |
| ② | Introducir modelo CORECO | | Palacio | 28-1-00 |
| ③ | DBY-1000 bertsioa sartu | | rbenitu | 2007-01-23 |
| ④ | MLV-35 bertsioa sartu | | rbenito | 2007-05-02 |
| ⑤ | ASC-12 bertsioa sartu | | rbenito | 2009-04-24 |
| Dibujado | | Firma | Fecha | |
| Proyectado | | S. N. | 7-10-97 | |
| Comprobado | | | | |
| Escala | | | | |
| LAVAVASOS | | | | Mecanizado superficial |
| | | | | Plano numero |
| | | | | HC-16738 -5 |
| | | | | Sustituye al Nº |
| | | | | Sustituido por |

Plano hau ez daiteke erabili ez berrizta gure baimeniz gabe

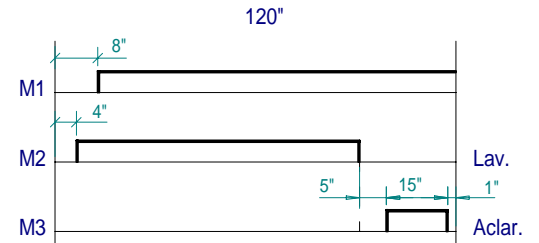
1N ~ 240V. 50 Hz.
2 ~ 220V. 50/60 Hz.

3N ~ 380 - 415 V.



- LVR - 14 ; LVC - 15
- LVR - 20 ; LVC - 21
- A-15 ; A-21 ; KM - 21
- FV - 26R ; FV - 26C
- ① GX - 5R ; GX - 5C
- FV - 20R ; FV - 20C
- GX - 4R ; GX - 4C
- ④ CLV-15-C ; CLV-21-C
- ⑤ MLV-35-S ; MLV-40
- ⑥ ASC-21

③



CODIGO DE COLORES:

- r = rojo-red-rouge
- m = marron-brown-marron
- g = gris-grey-gris
- n = negro-black-noir
- a = azul-blue-bleu
- b = blanco-white-blanc
- vi = violeta-violette-violet
- am = amarillo-yellow-jaune
- na = naranja-orange-orange
- rs = rosa-rose-pink
- ve = verde-green-vert
- am/ve = amarillo verde-yellow green-jaune vert

Z403014000

- I_G = Interruptor General
- L1 = Lampara de marcha
- Ip = Micro de puerta
- Rp = Relé puerta
- P = Presostato
- Tc = Termostato calderin
- Tt = Termostato tanque
- Cc = Contactor calderin
- Ct = Contactor tanque
- L2 = Lampara máquina preparada
- Rc = Resistencia calderin
- Rt = Resistencia tanque
- Ds Det = Dosificador de detergente (opcional)

- M = Motor programador
- M1 = Micro programador marcha
- M2 = Micro programador lavado
- M3 = Micro programador aclarado
- L3 = Lámpara de ciclo
- MBL = Motobomba lavado
- C = Condensador de motobomba
- V1 = Válvula de llenado y aclarado
- V2 = Válvula de aclarado en frio
- EB = Electrobomba de presión (Opcional)
- PAF = Pulsador aclarado en frio

| | | | | |
|--------------------------|---------------------------------|--------------------------------------|----------|------------------------|
| Esquema teorico adhesivo | | Papel adhesivo | Z-403014 | |
| Nº | Pieza | Cant. | Material | Nº Clasificacion |
| Nº | Modificacion | Propuesta de | | Fecha |
| ⑥ | ASC-21 ASCASO modelo a sartzeta | rbenito | | 2009-04-24 |
| ② | Modificar color en Tt | I. Urizabel | | 20-4-99 |
| ③ | Introducir versión KM - 21 | J.M.P. | | 22-7-99 |
| ④ | Introducir modelos CORECO | Palacio | | 28-1-00 |
| ⑤ | MOVILFRIT modelo a sartzeta | mgangoiti | | 07-04-17 |
| Dibujado | | Firma | Fecha | |
| Proyectado | | S. N. | 28-9-95 | |
| Comprobado | | | | |
| Escala | | Fagor Industrial, Koop, Elk, Mugatua | | |
| LAVAVASOS | | | | Mecanizado superficial |
| | | | | Plano numero |
| | | | | HC-16496 -6 |
| | | | | Sustituye al N° |
| | | | | Sustituido por |

Plano hau ez daiteke erabili ez berrizta gure baimenitz gabe

1N ~ 240V. 50 Hz.

2 ~ 220V. 50/60 Hz.

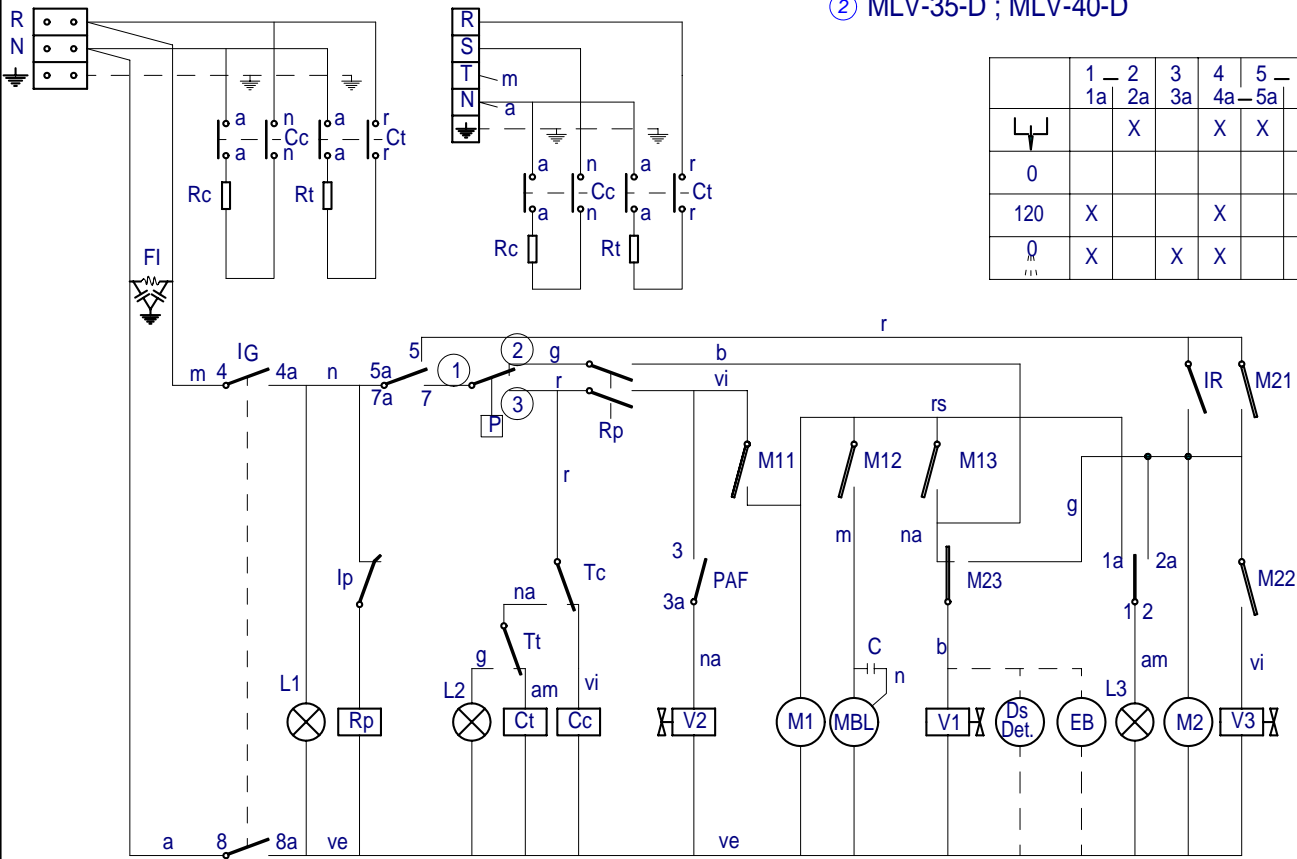
3N ~ 380 - 415 V.

LVR-14 D; LVC-15 D

LVR-20 D; LVC-21 D

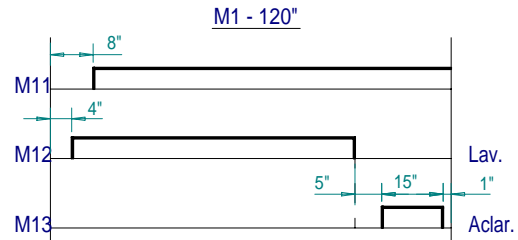
① CLV-15-CD; CLV-21-CD

② MLV-35-D ; MLV-40-D

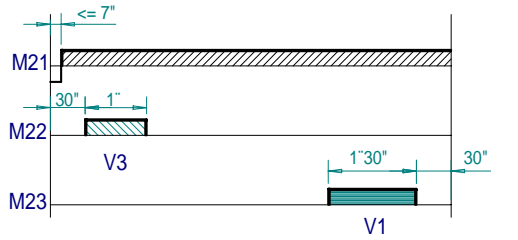


| | | | | | | | | |
|---|----|----|----|----|----|----|----|----|
| | 1 | 2 | 3 | 4 | 5 | 6 | 7 | 8 |
| | 1a | 2a | 3a | 4a | 5a | 6a | 7a | 8a |
| ⏏ | | X | | X | X | | | X |
| 0 | X | | | X | | X | X | X |
| ⏏ | X | | X | X | | X | X | X |

IG



M2 - CICLO REGENERACION



CODIGO DE COLORES:
 r = rojo-red-rouge
 m = marron-brown-marron
 g = gris-grey-gris
 n = negro-black-noir
 a = azul-blue-bleu
 b = blanco-white-blanc
 vi = violeta-violette-violet
 am = amarillo-yellow-jaune
 na = naranja-orange-orange
 rs = rosa-rose-pink
 ve = verde-green-vert
 am/ve = amarillo verde-yellow green-jaune vert

Z473002000

- I_G = Interruptor General
- L1 = Lampara de marcha
- Ip = Micro de puerta
- Rp = Relé puerta
- P = Presostato
- Tc = Termostato calderin
- Tt = Termostato tanque
- Cc = Contactor calderin
- Ct = Contactor tanque
- L2 = Lampara máquina preparada
- Rc = Resistencia calderin
- Rt = Resistencia tanque
- Ds Det = Dosificador de detergente (opcional)
- V3 = Electroválvula regeneración
- IR = Pulsador regeneración

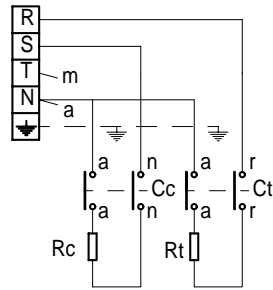
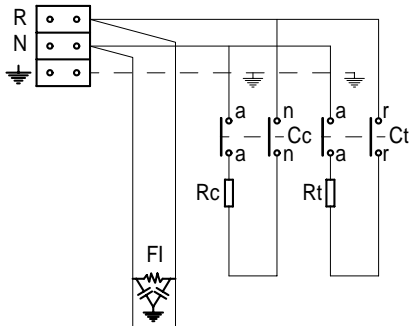
- M1 = Motor programador
- M11 = Micro programador marcha
- M12 = Micro programador lavado
- M13 = Micro programador aclarado
- M2 = Motor programador
- M21 = Micro programador marcha regeneración
- M22 = Micro programador regeneración por depósito
- M23 = Micro programador regeneración por depósito
- MBL = Motobomba lavado
- C = Condensador de motobomba
- V1 = Válvula de llenado y aclarado
- V2 = Válvula de aclarado en frio
- EB = Electrobomba de presión (Opcional)
- PAF = Pulsador aclarado en frio

| | | | | | |
|--|--------------------------|--------------------------------------|----------|------------------------|---|
| Esquema teorico adhesivo | | Papel adhesivo | | Z-473002 | |
| Nº | Pieza | Cant. | Material | Nº Clasificacion | Acabado |
| Nº | Modificacion | Propuesta de | | Fecha | Tolerancias generales |
| ① | Introducir modelo CORECO | Palacio | | 28-1-00 | $5 \pm$ 5-25± : > 100± 25-50± : $X \pm$ |
| ② | MOVILFRIT modelook sartu | mgangoiti | | 07-04-17 | |
| | | | | | |
| Dibujado | | Firma | Fecha | Mecanizado superficial | |
| Proyectado | | S. N. | 6-2-96 | FAGOR | |
| Comprobado | | Fagor Industrial, Koop, Elk, Mugatua | | Plano numero | |
| Escala | | LAVAVASOS | | HC-16531 -2 | |
| Plano hau ez daiteke erabili ez berrizta gure baimenitz gabeko | | | | | |
| Sustituye al Nº | | | | Sustituido por | |

1N ~ 240V. 50 Hz.
2 ~ 220V. 50/60 Hz.

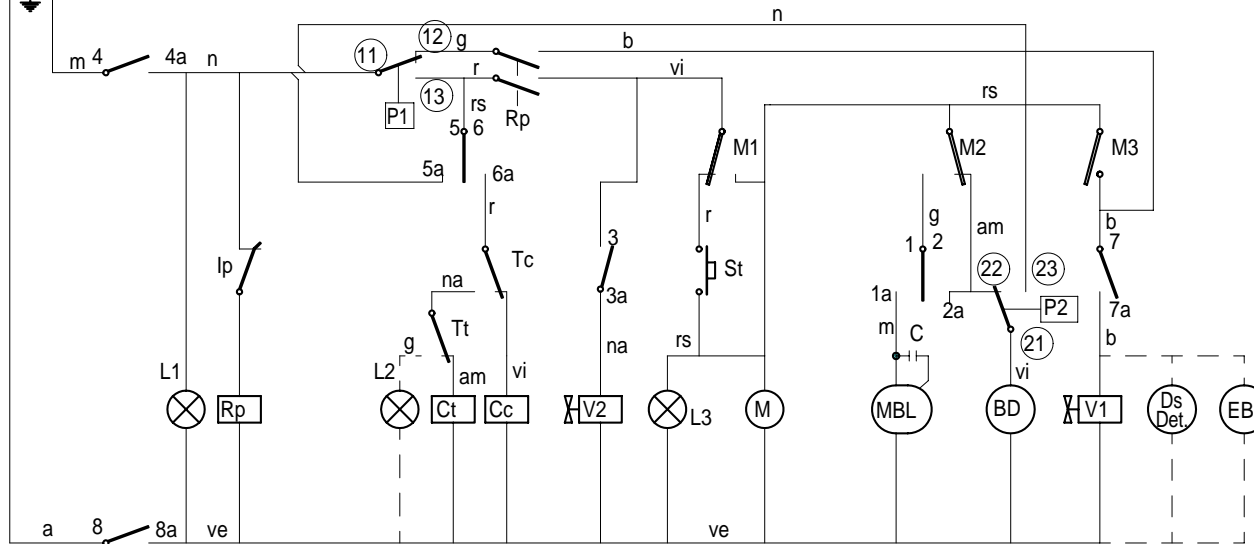
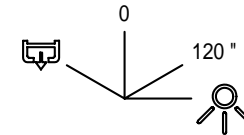
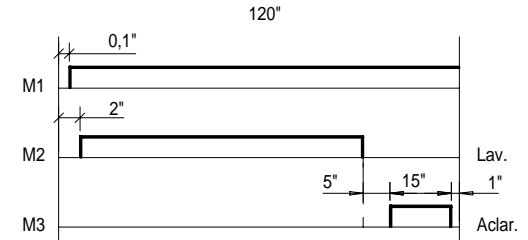
3N ~ 380 - 415 V.

LVC - 21 B ; LVC-21C ; KM - 21 B
CLV - 21 - CB
MLV - 40 - B, LAB-2100 B



| | | | | | | |
|------|-------|----|---------|-------|----|----|
| | 1 - 2 | 3 | 4 | 5 - 6 | 7 | 8 |
| | 1a 2a | 3a | 4a - 5a | 6a | 7a | 8a |
| | X | X | X | | | X |
| 0 | | | | | | |
| 120" | X | | X | X | X | X |
| | X | X | X | X | X | X |

IG



CODIGO DE COLORES:

- r = rojo-red-rouge
- m = marron-brown-marron
- g = gris-grey-gris
- n = negro-black-noir
- a = azul-blue-bleu
- b = blanco-white-blanc
- vi = violeta-violette-violet
- am = amarillo-yellow-jaune
- na = naranja-orange-orange
- rs = rosa-rose-pink
- ve = verde-green-vert
- am/ve = amarillo verde-yellow green-jaune vert

Z433009000

I_G = Interruptor General

L1 = Lámpara de marcha

Ip = Micro de puerta

Rp = Relé puerta

P1 = Presostato

Tc = Termostato calderin

Tt = Termostato tanque

Cc = Contactor calderin

Ct = Contactor tanque

L2 = Lámpara máquina preparada

Rc = Resistencia calderin

St = Pulsador de marcha

FI = Filtro de interferencias

BD = Bomba de Desagüe

Rt = Resistencia tanque

M = Motor programador

M1 = Micro programador marcha

M2 = Micro programador lavado

M3 = Micro programador aclarado

L3 = Lámpara de ciclo

MBL = Motobomba lavado

C = Condensador de motobomba

V1 = Válvula de llenado y aclarado

Ds Det = Dosificador de detergente (opcional)

P2 = Presostato de seguridad

EB = Electrobomba de presión (Opcional)

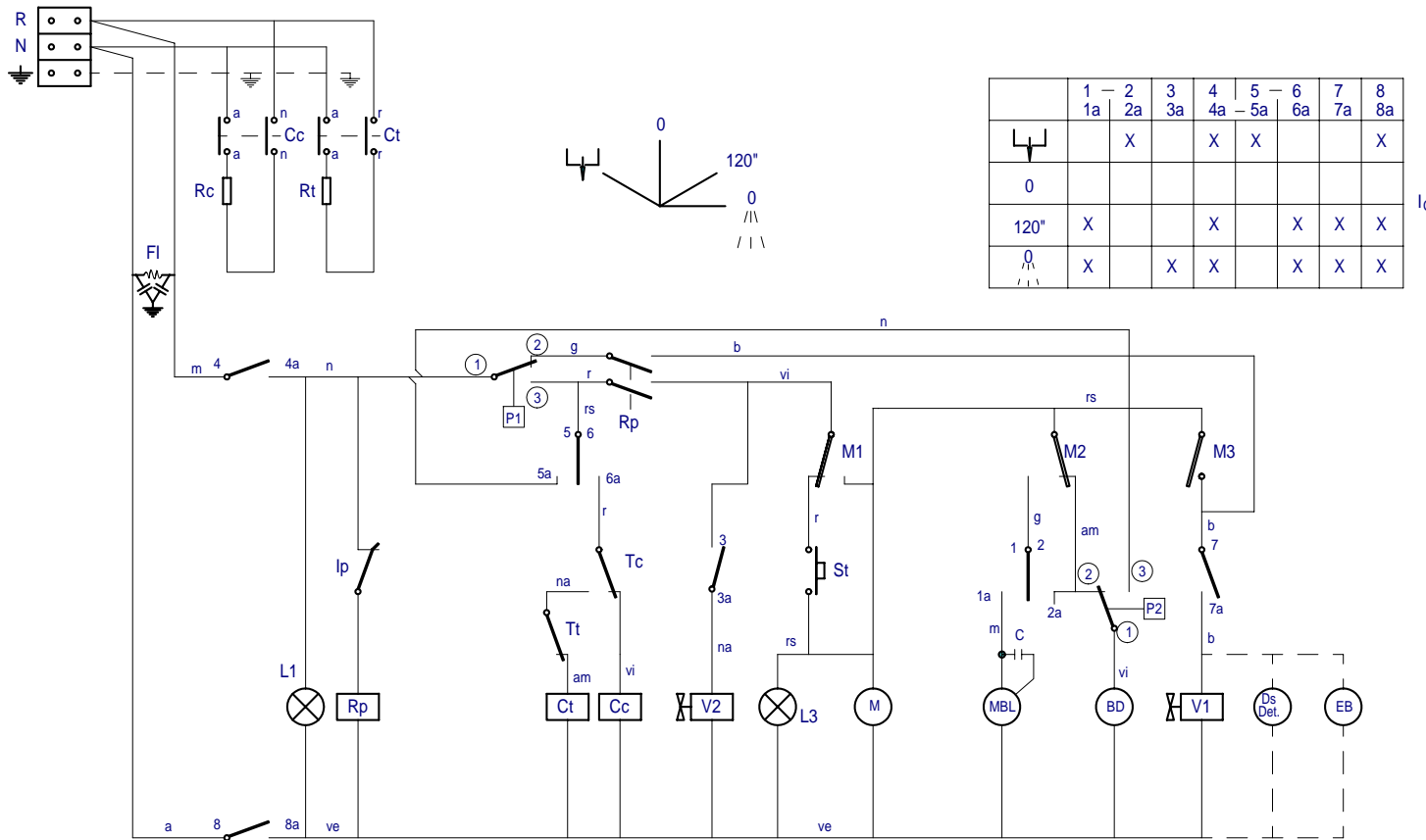
V2 = Válvula aclarado en frío

| | | | | | |
|--------------------------|---------------------------|------------------|----------|--------------------------------------|---|
| Esquema teorico adhesivo | | Papel adhesivo | | Z-433009 | |
| Nº | Pieza | Cant. | Material | Nº Clasificacion | Acabado |
| Nº | Modificacion | Propuesta de | | Fecha | Tolerancias generales |
| ① | Introducir modelo CORECO | Palacio | | 28-1-00 | <5± : 50-100± : 5-25± : > 100± : 25-50± : <X± |
| ② | MOVILFRIT modeloa sartzea | mgangoiti | | 07-04-17 | |
| ③ | LVC-21C modeloa sartu | scaro | | 2008-03-14 | |
| Dibujado | | Firma | Fecha | Mecanizado superficial | |
| Proyectado | | J.M.P. | 20-10-99 | FAGOR | |
| Comprobado | | | | Fagor Industrial, Koop. Elk. Mugatua | |
| Escala | | LAVAVASOS | | | |
| | | | | | |
| | | | | Plano numero | |
| | | | | HC-17195 -3 | |
| | | | | Sustituye al Nº | |
| | | | | Sustituido por | |

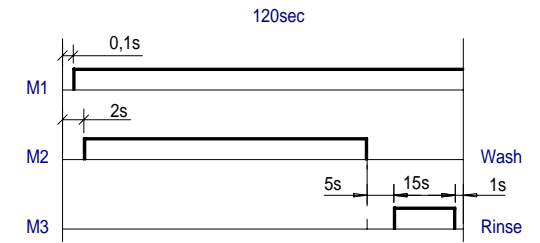
Plano hau ez daiteke erabili ez berritza gure baimenitz gabe

Mods.: LVC - 21 W

208-220-240 V. 1Ph



| | 1 1a | 2 2a | 3 3a | 4 4a | 5 5a | 6 6a | 7 7a | 8 8a |
|------|---------|---------|---------|---------|---------|---------|---------|---------|
| 0 | | X | | X | X | | | X |
| 120° | X | | | X | | X | X | X |
| 0 | X | | X | X | | X | X | X |



Colours code-Code de couleurs-Codigo de colores:

- r = red-rouge-rojo
- m = brown-marron-marron
- g = grey-gris-gris
- n = black-noir-negro
- a = blue-bleu-azul
- b = white-blanc-blanco
- vi = violette-violet-violeta
- am = yellow-jaune-amarillo
- na = orange-orange-naranja
- rs = rose-pink-rosa
- ve = green-vert-verte
- am/ve = yellow green-jaune vert-amar./verde

IG= General switch
L1 = On lamp
Ip = Door micro
Rp = Door relay
P1 = Pressure switch
Tc = Drum thermostat
Tt = Tank thermostat
Cc = Drum contactor
Ct = Tank contactor
L2 = Machine ready light
Rc = Drum heating element
St = Start button
FI = Interferences filter
BD = Drain pump

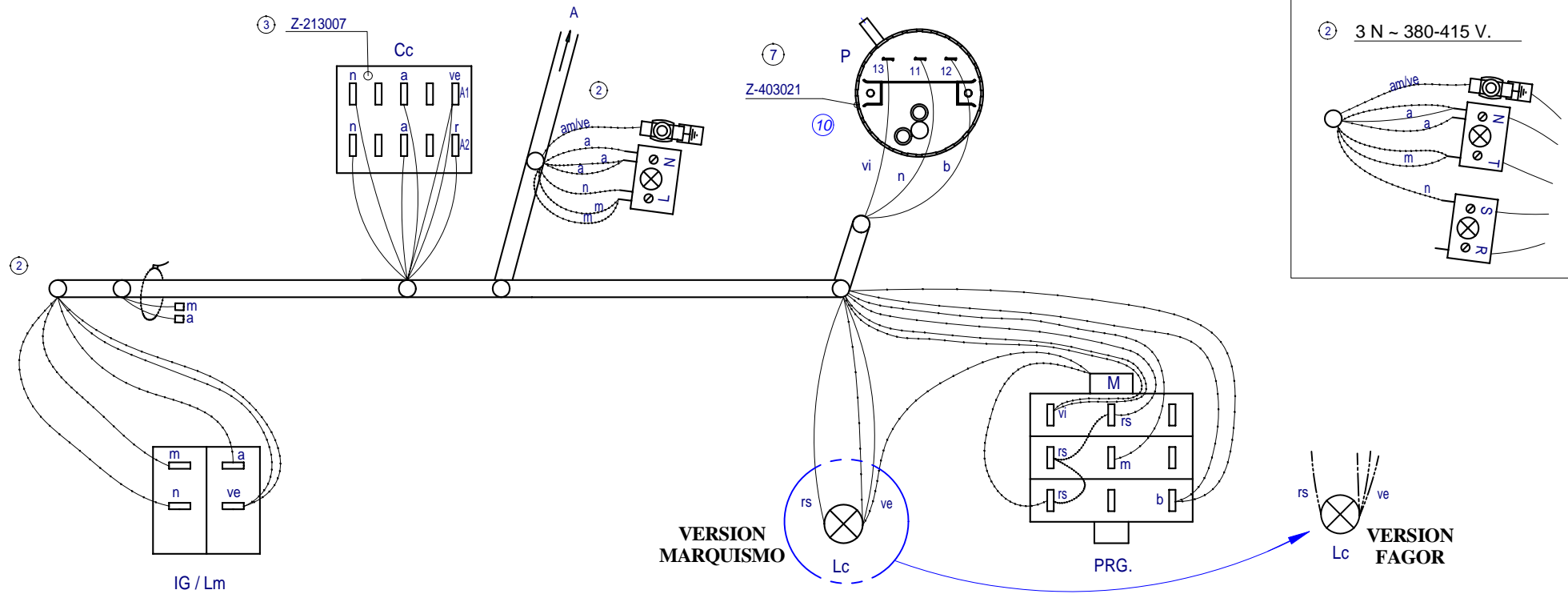
Interrupteur general
Témoïn de marche
Micro de porte
Relais de porte
Presostat
Thermostat du surchauffeur
Thermostat de cuve
Contacteur du surchauffeur
Contacteur de cuve
Témoïn de marchine préparée
Resistance du surchauffeur
Bouton de marche
Filtre d'interferences
Pompe de vidange

Interruptor General
Lampara de marcha
Micro de puerta
Relé puerta
Presostato
Termostato calderin
Termostato tanque
Contactor calderin
Contactor tanque
Lampara máquina preparada
Resistencia calderin
Pulsador de marcha
Filtro de interferencias
Bomba de Desagüe

Rt = Tank heating element
M = Motor programmer
M1 = Micro programmer on
M2 = Micro programmer wash
M3 = Micro programmer rinse
L3 = Cycle light
MBL= Motor pump wash
C = Motor pump condenser
V1 = Filling and rinsing valve
V2 = Cold rinsing valve
Ds Det = Detergent dispenser (Optional)
P2 = Safety pressure switch
EB = Electric pressure pump (Optional)

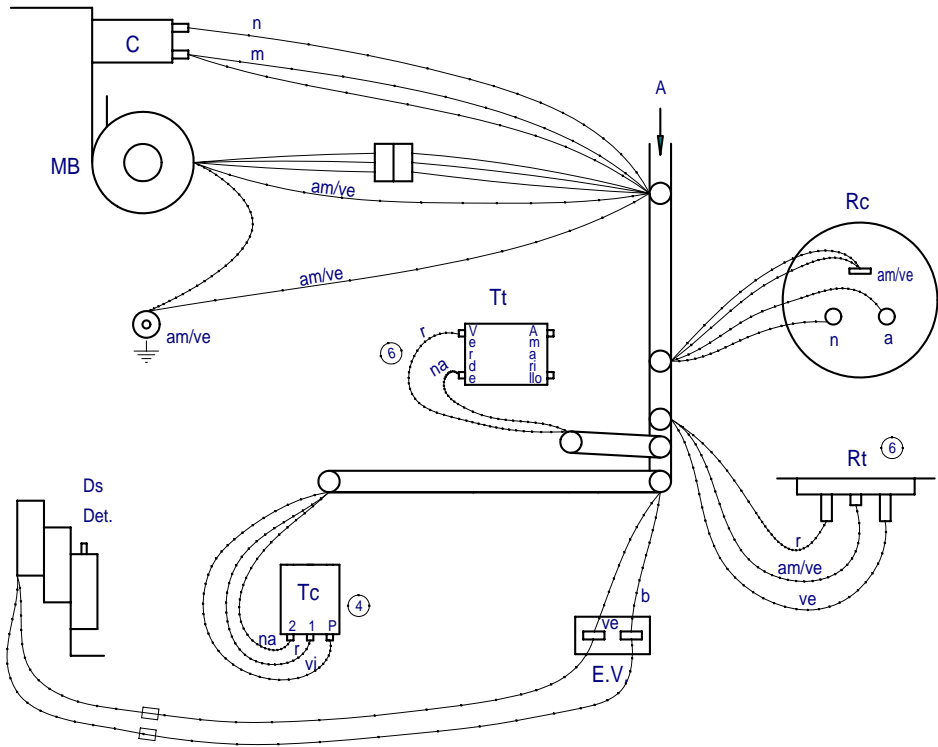
Resistance de cuve
Moteur du programmateur
Micro du programm. de marche
Micro du programm. de lavage
Micro du programm. de rincage
Témoïn de cycle
Motobopompe de lavage
Condensateur de la motopompe
Valve de remplissage et de vidange
Valve de rincage froid
Doseur de detergent (Option)
Presostat de sécurité
Electropompe de pression (Option)

Resistencia tanque
Motor programador
Micro programador marcha
Micro programador lavado
Micro programador aclarado
Lámpara de ciclo
Motobomba lavado
Condensador de motobomba
Válvula de llenado y aclarado
Válvula aclarado en frio
Dosificador de detergente (opcional)
Presostato de seguridad
Electrobomba de presión (Opcional)

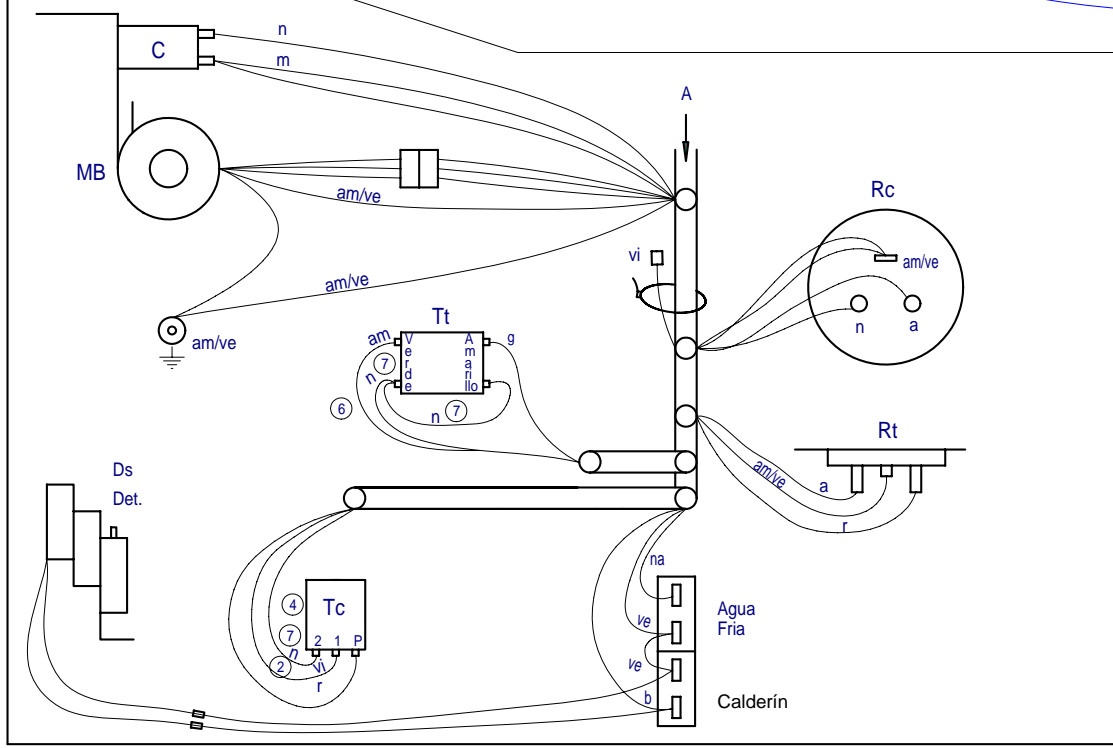
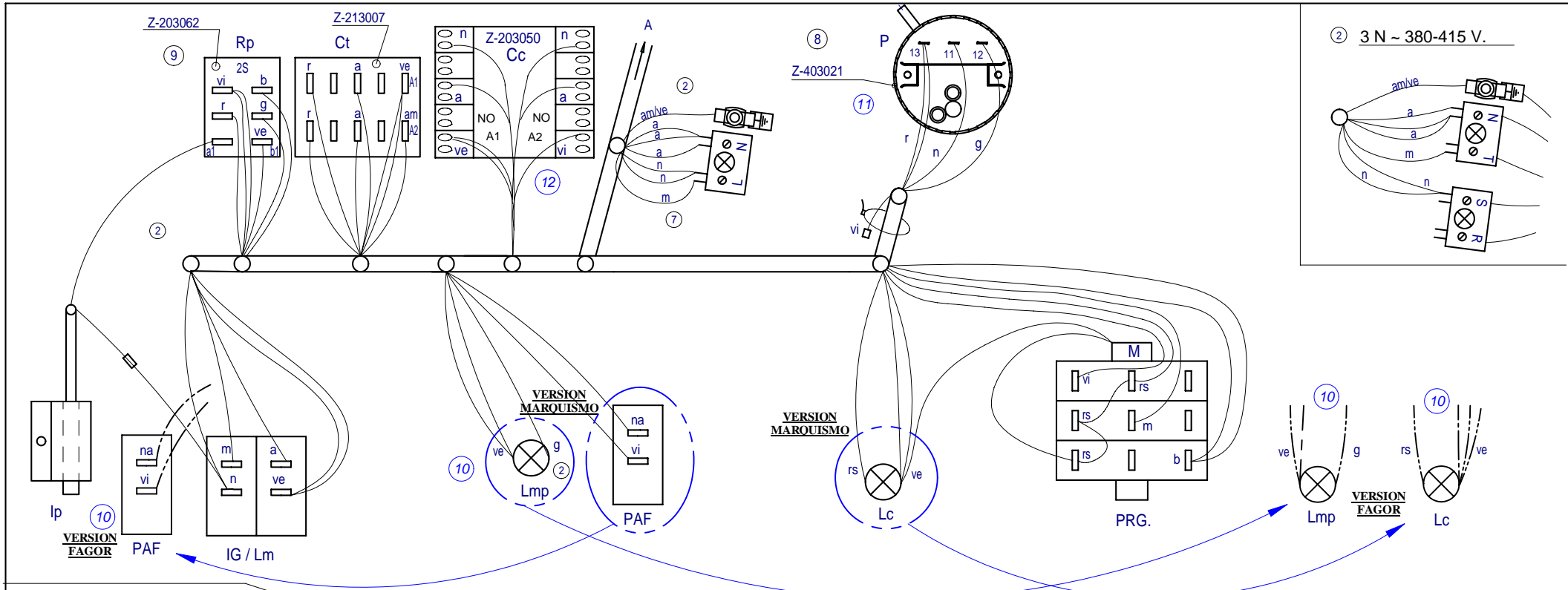


VERSION MARQUISMO

VERSION FAGOR

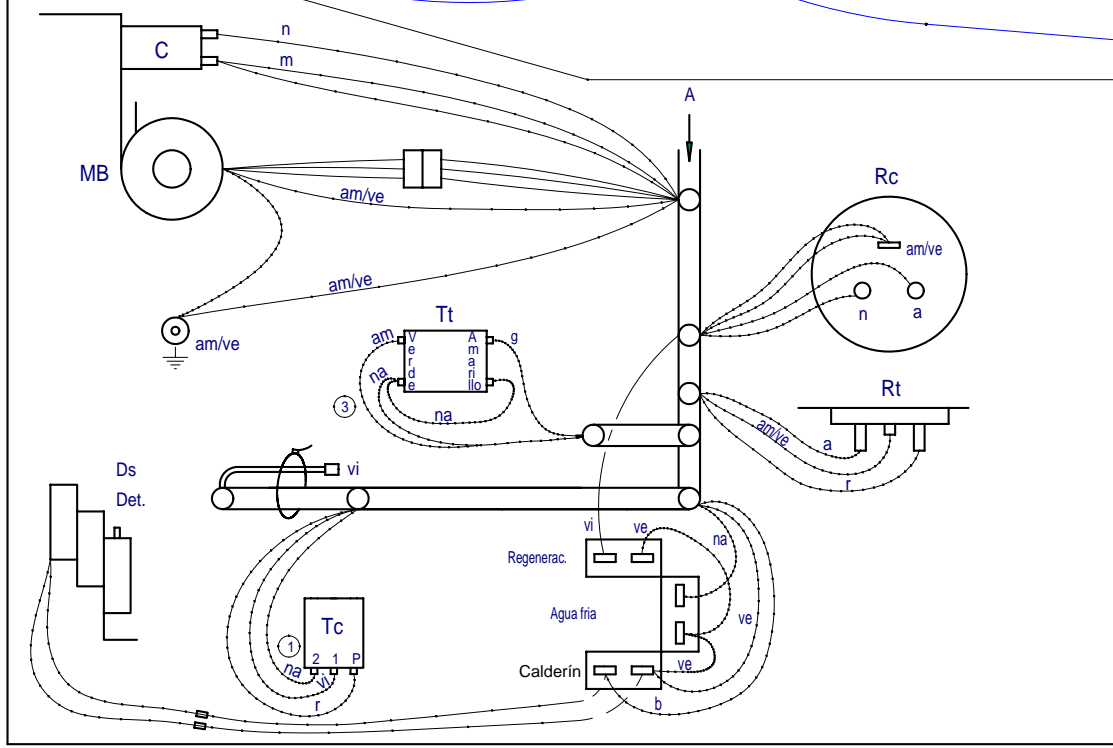
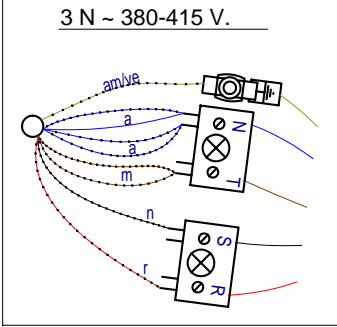
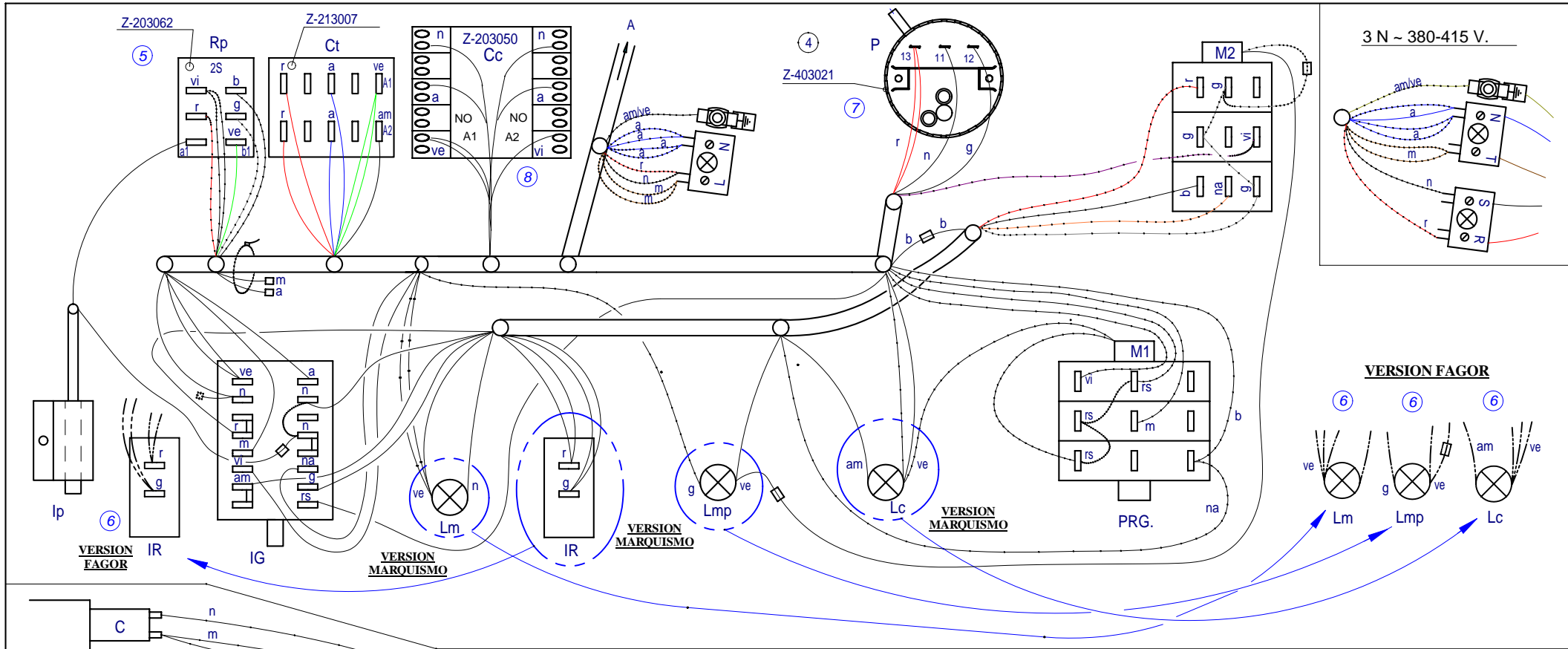


| | | | | | | | |
|------------|--|--|----------|--|--|-------------------------------------|--|
| | | | | ⑤ | | | |
| | | Esquema de montaje LVR-10 LVC-12 | | Z-393035 | | | |
| Nº | Pieza | | | Nº Clasificación | Acabado | | |
| Nº | Modificación | Propuesta de | | Fecha | Tolerancias generales | | |
| ⑧ | Modificar por nueva estetica modelos Fagor | scaro | | 14-09-2005 | $< 5 \pm$: 50-100 ± : $5-25 \pm$: > 100 ± : $25-50 \pm$: $\infty \pm$ | | |
| ⑨ | Correccion en nueva estetica Fagor | scaro | | 2006-11-30 | | | |
| ⑩ | Actualizar presostato por cambio proveedor | scaro | | 2007-03-27 | | | |
| ⑤ | Introducir N° Clasificación | Palacio | | 10-7-97 | | | |
| ④ | Cambiar Termostato y posición cables | Palacio | | 17-3-97 | | | |
| | | Firma | Fecha | FAGOR Fagor Industrial, Koop, Elk, Mugatua | | Mecanizado superficial | |
| Dibujado | | S. N. | 19-10-94 | | | | |
| Proyectado | | | | | | | |
| Comprobado | | | | | | | |
| Escala | | LAVAVASOS | | | | Plano numero HC-16386 -10 | |
| | | Plano hau ez daiteke erabili ez berrizta gure baimenitz gabe | | | | Sustituye al N° Sustituido por | |



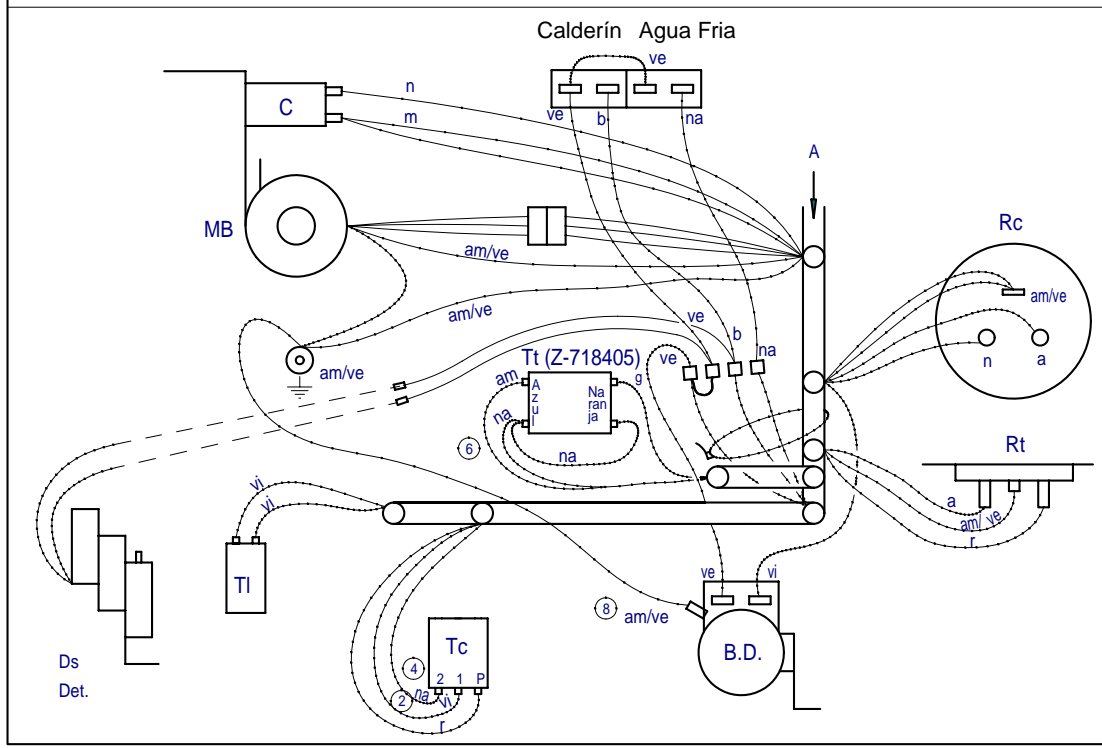
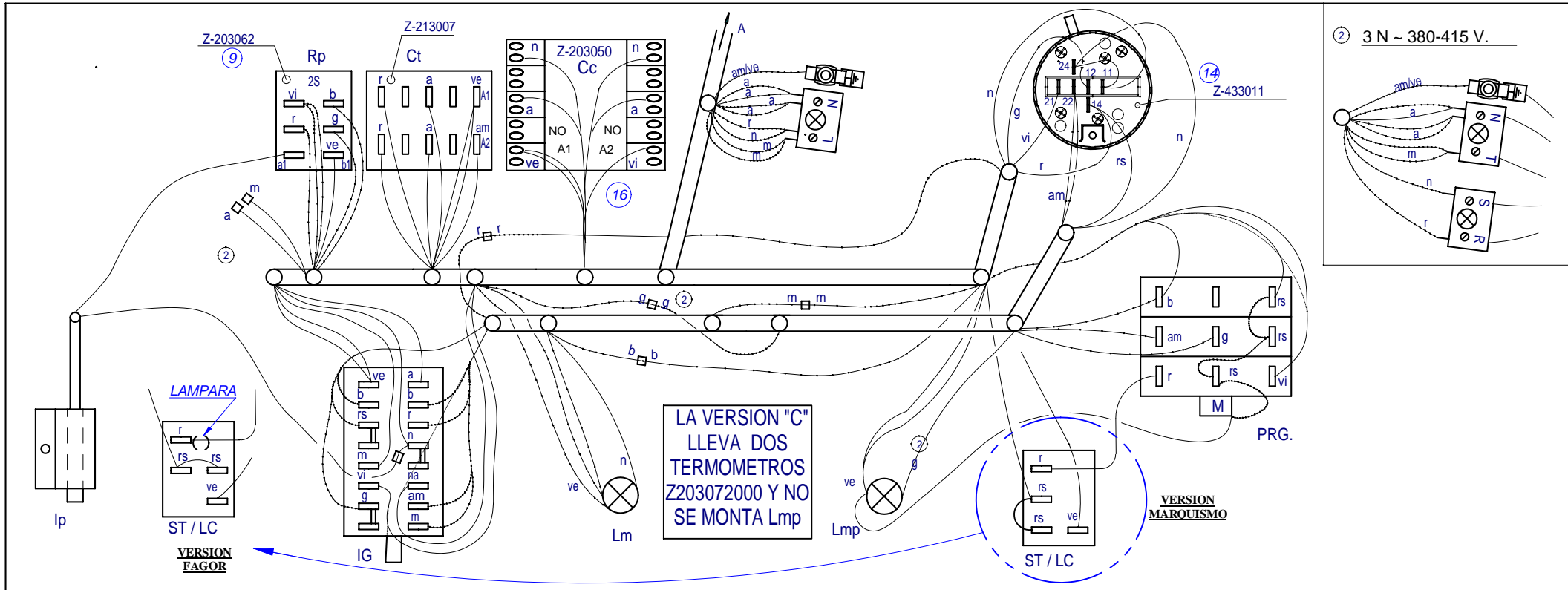
| | | | | | |
|---|---|------------------|------------|--|--|
| | | | | (5) | |
| Esquema de montaje LVR-14; LVC-15; LVR-20; LVC-21 | | | | Z-403035 | |
| Nº | Pieza | Nº Clasificación | Acabado | | |
| Nº | Modificación | Propuesta de | Fecha | Tolerancias generales | |
| (7) | Pasar de color Naranja a Negro en Tc y Tt | I. Urizabel | 20-4-99 | $< 5 \pm$: 50-100± : $5-25 \pm$: > 100± : $25-50 \pm$: $\infty \pm$ | |
| (8) | Introducir presostato Z-403021 | J.M.P. | 19-10-99 | | |
| (9) | Sustituir relé Z-203018 por Z-203062, cambiar colores en Rp | J.M.P.A. | 13-05-02 | | |
| (10) | Corrección nueva estética modelos Fagor | scaro | 2006-11-27 | | |
| (11) | Actualizar presostato por cambio proveedor | scaro | 2007-03-27 | | |
| (12) | Aldatu kalderineko kontaktorea Z213007 --> Z203050 | scaro | 2008-11-01 | | |
| Dibujado | | Firma | Fecha | | |
| Proyectado | | S. N. | 19-10-94 | | |
| Comprobado | | | | Fagor Industrial, Koop. Elk. Mugatua | |
| Escala | | | | | |
| LAVAVASOS | | | | Mecanizado superficial | |
| | | | | Plano numero | |
| | | | | HC-16385 -12 | |
| | | | | Sustituye al Nº | |
| | | | | Sustituido por | |

Plano hau ez daiteke erabili ez berrizta gure baimenitz gabe



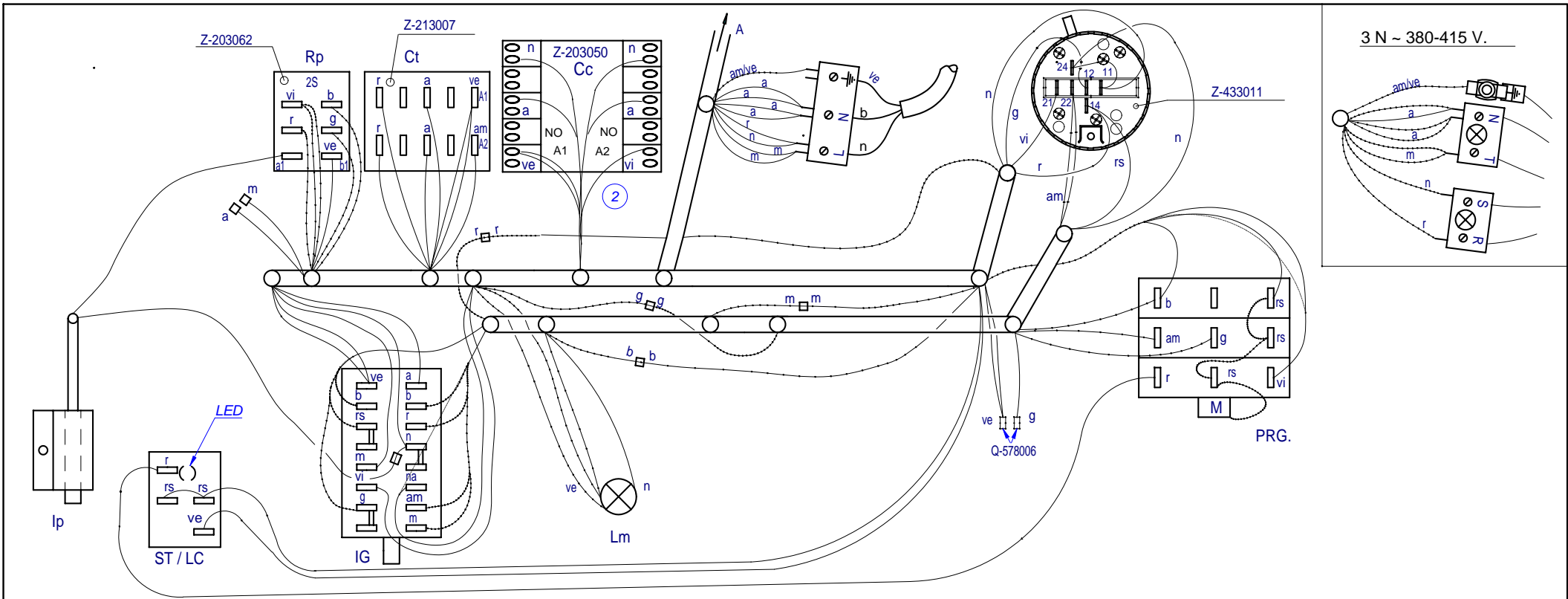
| | | | | | |
|---|---|--------------|------------|-------------------------|-------------------------|
| | | | | (2) | |
| Esquema de montaje LVR-14D; LVC-15D; LVR-20D; LVC-21D | | | | Z-473035 | |
| Nº | Pieza | Propuesta de | | Fecha | |
| Nº | Modificación | Fecha | | Tolerancias generales | |
| (4) | Sustituir presostato por Z-403021 | J.M.P. | 19-10-99 | $\leq 5 \pm$ | 50-100 ± : |
| (5) | Sustituir relé Z-203018 por Z-203062, cambiar colores en Rp | J.M.P.A. | 13-05-02 | 5-25 ± : | > 100 ± : |
| (6) | Modificación general por nueva estética | scaro | 14-09-2005 | 25-50 ± : | $\infty \pm$ |
| (7) | Actualizar presostato por cambio proveedor | scaro | 2007-03-27 | | |
| (8) | Aldatu kalderineko kontaktorea Z213007 -> Z203050 | scaro | 2008-11-01 | | |
| Dibujado | Firma | Fecha | | | |
| Proyectado | S. N. | 5-2-96 | | | |
| Comprobado | | | | | |
| Escala | | | | | |
| LAVAVASOS | | | | Mecanizado superficial | |
| | | | | Plano numero | |
| | | | | HC-16530 -8 | |
| | | | | Sustituye al Nº | |
| | | | | Sustituido por | |

Plano hau ez daiteke erabili ez berritza gure baimenitz gabe

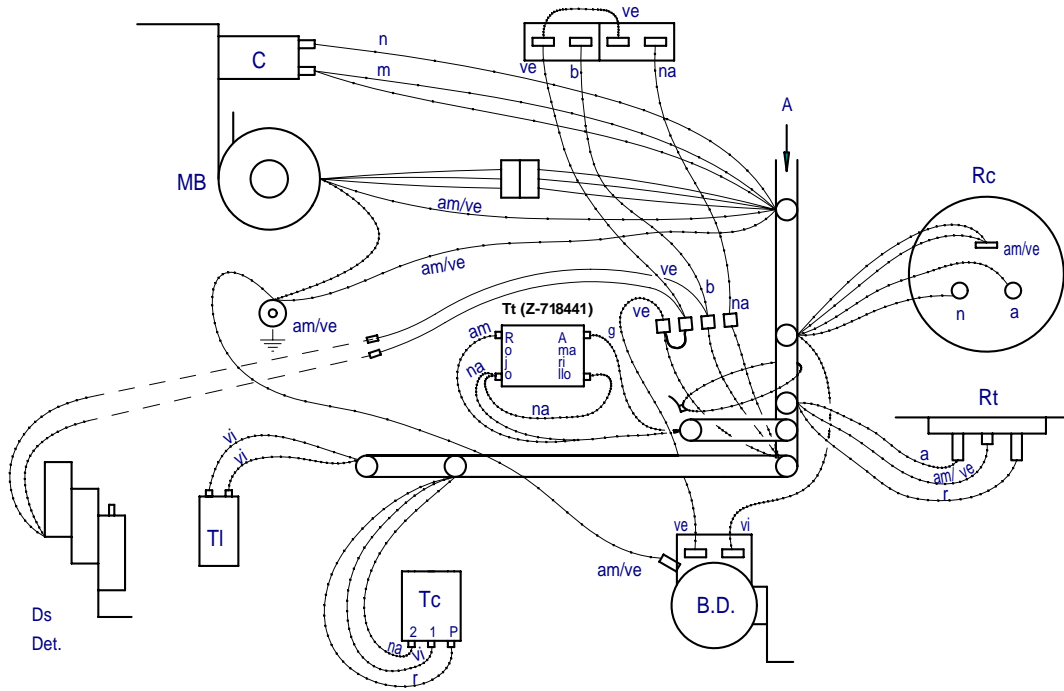


| | | | | | |
|--|---|--------------|------------------|--------------------------------------|---|
| | | | | ⑤ | |
| Esquema de montaje LVR-20 B; LVC-21 B; LVC-21C | | | Z-433035 | | |
| Nº | Pieza | Material | Nº Clasificación | Acabado | |
| Nº | Modificación | Propuesta de | Fecha | Tolerancias generales | |
| ⑪ | Modificar cableado para la nueva estética | scaro | 13-09-2005 | $5 \pm$ $5-25 \pm$ $25-50 \pm$ | $50-100 \pm$ $> 100 \pm$ $\infty \pm$ |
| ⑫ | Corrección nueva estética | scaro | 2006-11-27 | | |
| ⑬ | Eliminar versión W del plano | scaro | 2007-01-09 | | |
| ⑭ | Modificar cableado presostato debido a cambio por parte proveedor | scaro | 2007-03-21 | | |
| ⑮ | LVC-21C bertsioa sartu | scaro | 2008-03-14 | | |
| ⑯ | Aldatu kalderineko kontaktorea Z213007 --> Z203050 | scaro | 2008-11-01 | | |
| Dibujado | Firma | Fecha | | | Mecanizado superficial |
| Proyectado | S. N. | 19-10-94 | | | |
| Comprobado | | | | | |
| Escala | LAVAVASOS | | | Plano numero | HC-16383-16 |
| | | | | Sustituye al N° | |
| | | | | Sustituido por | |

Plano hau ez daiteke erabili ez berrizta gure baimeniz gabe



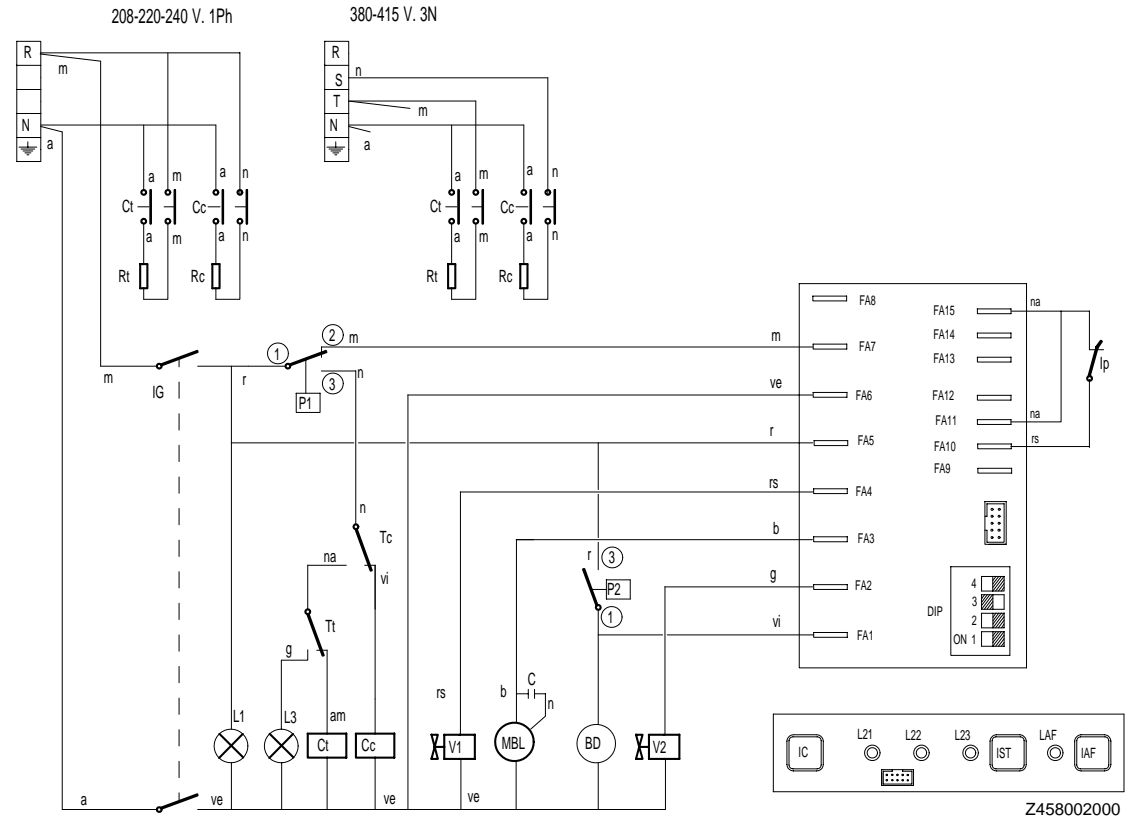
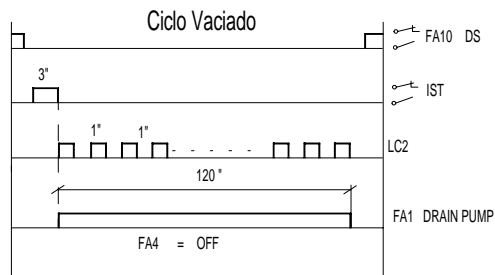
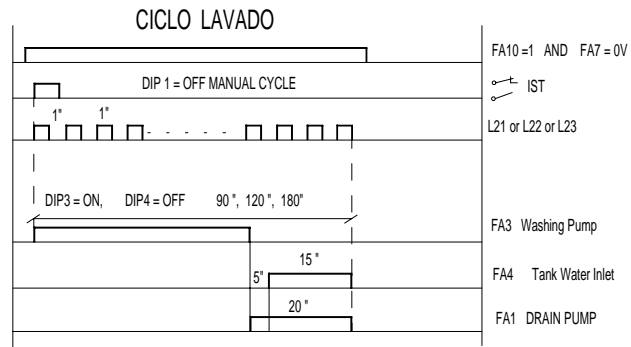
Calderín / Boiler Agua Fria / Cold water



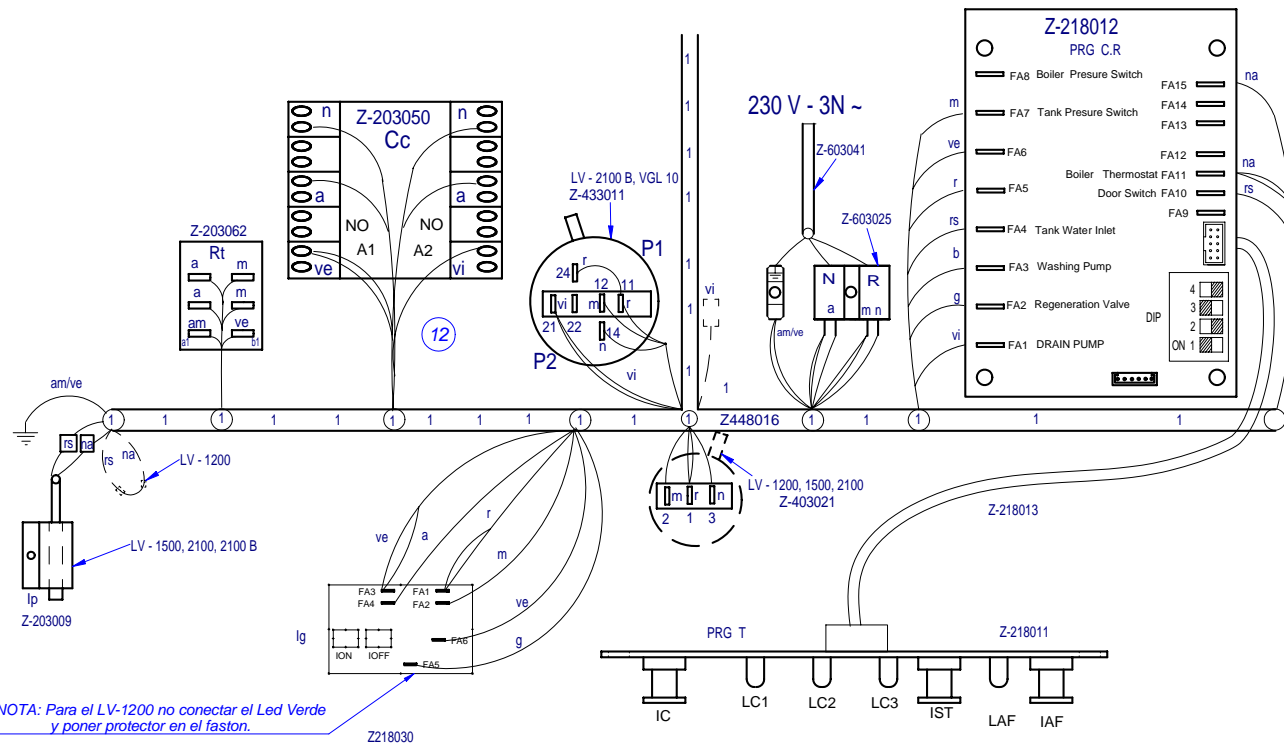
| ESQUEMA MONTAJE LVC-21W | | | | Z433036000 | | |
|-------------------------|--|-------|------------------------------|-------------------|---|--|
| Zk./Nº | Pieza | Cant. | Materiala/Material | Klas. zk/Nº Clas. | Gainazal akabera/Tratamiento | |
| Zk./Nº | Aldaketa/Modificaciones | | Nork proposatua/Propuesta de | Data/Fecha | Perdoi orokorak Tolerancias generales | |
| 1 | Modificar cableado presostato por cambio en presostato | | scaro | 2007-03-21 | | |
| 2 | Aldatu kalderineko kontaktoea Z213007 --> Z203050 | | scaro | 2008-11-01 | $< 5 \pm 0.2$ $50 \div 100 \pm 0.8$ $5 \div 25 \pm 0.4$ $> 100 \pm 1$ $25 \div 50 \pm 0.6$ $\alpha \pm 1$ | |
| - | - | - | - | - | | |
| - | - | - | - | - | | |
| - | - | - | - | - | | |

| | | | | | |
|--|------------------|------------|--|--|-----------------|
| Marratzua/Dibujado | S.N. | Data/Fecha | FAGOR  Fagor Industrial, Koop. Elk. Mugatua | Gainazal perdoia Mecanizado superficial | |
| Proiektatua/Proyectado | - | - | | - | |
| Egiaztatua/Comprobado | ENERITZ | - | | - | |
| Eskala/Escala | LAVAVASOS | | | Plano Zk./Plano Nº | |
| - | | | | HC-18001 | |
| Plano hau ezin daiteke erabili, ez berritzatu, gure baimenik gabe. | | | | - | Zk. gaitik ord. |

LV 2100 - B , VGL 10



| Esquema teorico LV 2100 - B | | | | Z458002000 | | | |
|-----------------------------|-------------------------|------------------------------|--------------------|--|---|--|--|
| Zk./Nº | Pieza | Cant. | Materiala/Material | Klas. zk/Nº Clas. | Gainazal akabera/Tratamiento | | |
| Zk./Nº | Aldaketa/Modificaciones | Nork proposatua/Propuesta de | | Data/Fecha | Perdoi orokorrak Tolerancias generales | | |
| 1 | VGL 10 MODELOA SARTU | rbenito | | 2007-03-22 | | | |
| . | . | . | | . | < 5 ± 0.2 | 50 ÷ 100 ± 0.8 | |
| . | . | . | | . | 5 ÷ 25 ± 0.4 | >10Q ± 1 | |
| . | . | . | | . | 25 ÷ 50 ± 0.6 | α ± 1 | |
| . | . | . | | . | | | |
| Sinadura/Firma | | Data/Fecha | | Fagor Industrial, Koop. Elk. Mugatua | | | |
| Marraztua/Dibujado | | M. Maillo 30-03-2006 | | | | | |
| Proiektatua/Proyectado | | M. Maillo 30-03-2006 | | | | | |
| Egiaztatua/Comprobado | | ENERITZ 30-03-2006 | | Gainazal perdoia Mecanizado superficial | | | |
| Eskala/Escala | | <h2>LAVAVASOS</h2> | | | | Plano Zk./Plano Nº HC - 17966 -1 | |
| . | | | | | | Plano hau ezin daiteke erabili, ez berritzatu, gure baimenik gabe. | |
| | | | | | | . Zk. gaitik ord. | |

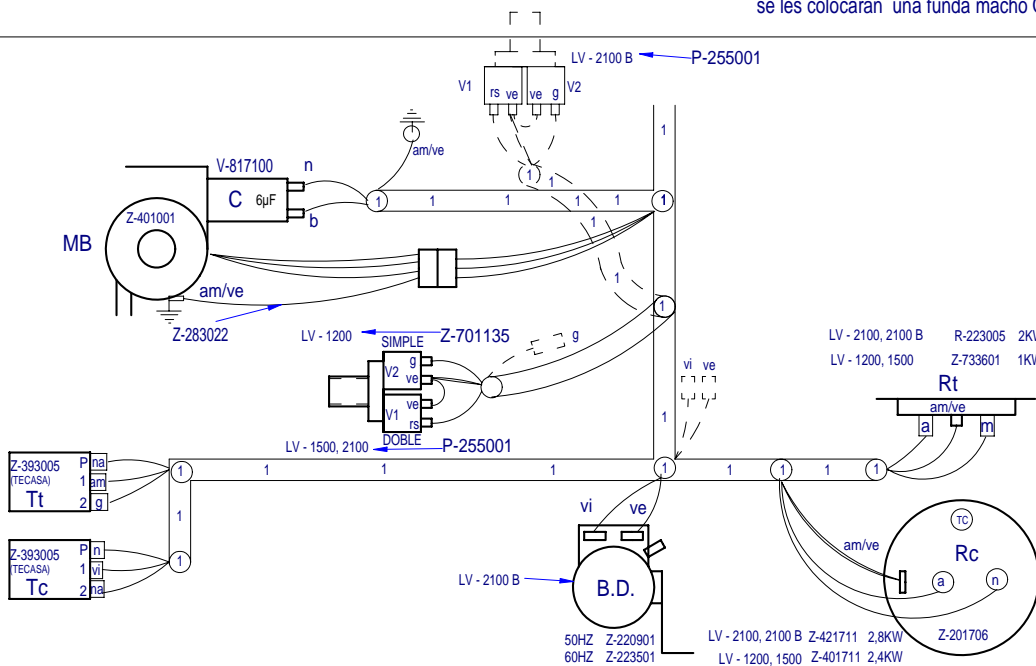


NOTA: Para el LV-1200 no conectar el Led Verde y poner protector en el faston.

Nota: Todos los cables hembra que queden sin conectar se les colocaran una funda macho Q-578006

ESQUEMA ADHESIVO
 LV 1200 Z-468021
 LV 1500, 2100 Z-448012
 LV 2100-B Z-458002

LEYENDA
 INDICADOR DE COMPONENTES Z-243051
 Z-713034



| | | | |
|--|--|------------------|---|
| Plano montaje LV EDESA | | Z448017000 | |
| Nº Pieza | Material | Nº Clasificación | Acabado |
| Nº Modificación | Propuesta de | Fecha | Tolerancias generales |
| (1) | Aldatu kalderineko kontaktorea Z213007 --> Z203050 | scaro | 2008-11-01 |
| | | | $±5\%$: 50-100± : 5-25± : >100± : 25-60± : ∞± |
| Dibujado | Firma | Fecha | Mecanizado superficial |
| Proyectado | ecarrascal | 2007-11-27 | |
| Comprobado | ecarrascal | 2007-11-27 | |
| Escala | ENERITZ | | Fagor Industrial, Koop. Elk. Mugatua |
| ONTZIGARBIGAILUAK | | | Plano numero |
| | | | HC-18101-01 |
| | | | Sustituye al Nº |
| | | | Sustituido por |
| Plano hau ez daiteke erabili ez berritza gure baimenitz gabe | | | |