

**FAGOR**

**SPARE PARTS CATALOGUE  
ERSATZTEILKATALOG  
CATALOGUE PIECES DETACHEES  
CATALOGO PARTI RICAMBIO  
CATALOGO DE PIEZAS DE RECAMBIO  
CATALOGO PEÇAS DE REPOSIÇÃO**

**LUB 60H**

**10-02-2012**

# LUB 60H

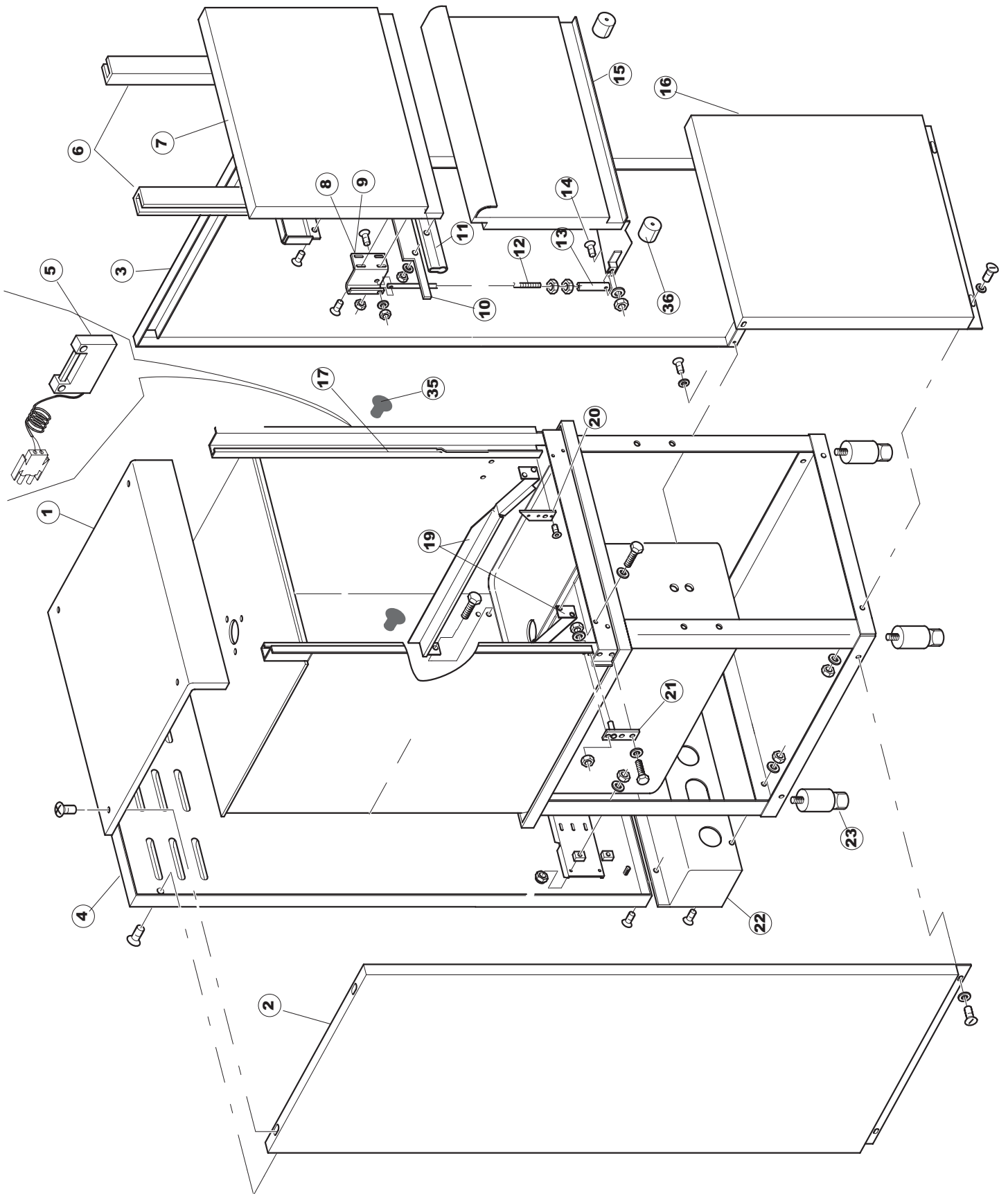
Tav.1: Carrozzeria  
Tav.2: Impianto elettrico  
Tav.3: Componenti in vasca  
Tav.4: Circuito di lavaggio  
Tav.5: Circuito di risciacquo  
Tav.6: Lance di lavaggio  
Tav.7: Pompa di lavaggio  
Tav.8: Pompa di scarico

Tav.1: Machine body  
Tav.2: Electrical components  
Tav.3: Components in the tank  
Tav.4: Washing circuit  
Tav.5: Rinsing circuit  
Tav.6: Washing arms  
Tav.7: Washing pump  
Tav.8: Draining pump

Tab.1: Carrocería  
Tab.2: Instalación eléctrica  
Tab.3: Componentes en cuba  
Tab.4: Circuito de lavado  
Tab.5: Circuito d'enjuague  
Tab.6: Brazos de lavado  
Tab.7: Bomba de lavado  
Tab.8: Bomba de descarga

Tab.1: Carrosserie  
Tab.2: Installation électrique  
Tab.3: Composants de cuve  
Tab.4: Circuit de lavage  
Tab.5: Circuit de rinçage  
Tab.6: Bras de lavage  
Tab.7: Pompe de lavage  
Tab.8: Pompe de vidange

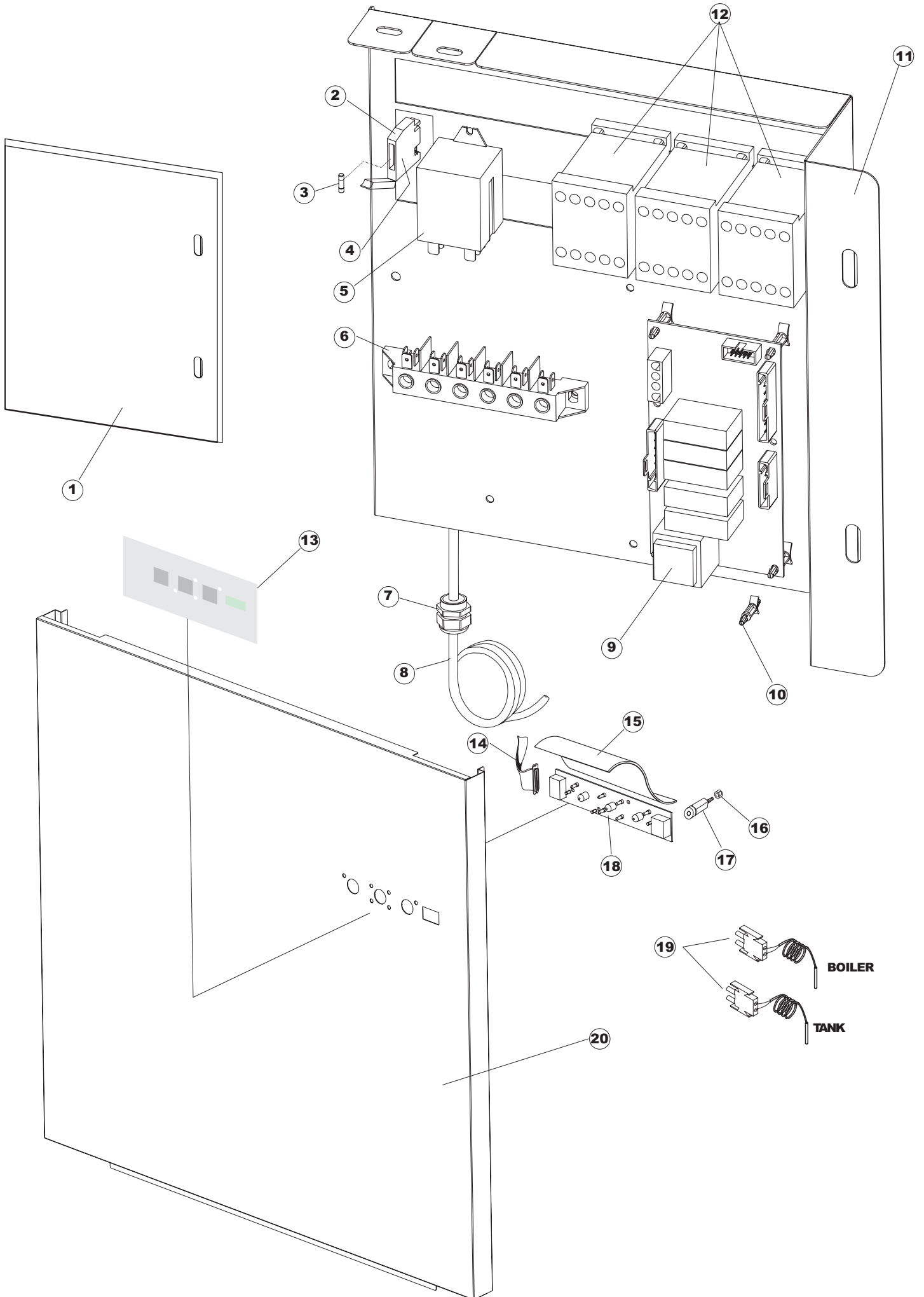
Taf.1: Verkleidung  
Taf.2: Elektrische Anlage  
Taf.3: Bauteile im Waschtank  
Taf.4: Spuelschaltung  
Taf.5: Nachspuelschaltung  
Taf.6: Wascharmee  
Taf.7: Spuelpumpe  
Taf.8: Laugenpumpe



# Listino componenti per pagina 1

1	EU41118	PANN.SUPER.U61/61H PANEL, UPPER U61/61H OB. PLATTE U61/61H PANN.SUPER.U61/61H PANEL SUPER. U61/61H	
2	EU44810	PANNELLO LATERALE SINISTRA SIDE PANEL -LEFT- FOR POT AND PAN WASHER S, ASSY SEITLICHES PANEEL, LINKS - FUER KOCHTOEP FESPUELER, K PANNEAU LATERAL GAUCHE POUR LAVE-CASSERO LES, COM PANEL LATERAL IZDA. U61H	
3	EU44814	PANNELLO LATERALE DESTRO SIDE PANEL, RIGHT - FOR POT AND PAN WASH ERS, ASSY SEITLICHES PANEEL -RECHTS- FUER KOCHTOEP FESPUELER PANNEAU LATERAL DROIT POUR LAVE-CASSEROL ES, COMPL PANEL LATERAL DCHA. COMPL. 610H	
4	EU44122	PANNELLO RETRO U61H PANEL, REAR U61H PLATTE, HINTEN U61H PANNELLO ARRIERE U61H PANEL TRASERO U61H	
5	EU80871	MICRO MAGNETICO MAGNETIC DOOR SWITCH TUERKONTAKTSCHALTER CONTACTE MAGNETIQUE CONTACTO MAGNETICO	
6	EU44265	GUIDA PORTA DOOR SLIDING GUIDE TUER-GLEITENDER BAHN - OBEN - GUIDE GLISSANTE PORTE GUIA PUERTA	
7	EU44360	PORTA SUPERIORE  PUERTA SUPERIOR	
8	EU24108701	SQUADRA DESTRA AGGANCIO TIRANTE SPORTELLO SUPERIC RIGHT BRACKET FOR UPPER DOOR TIE ROD FASTENING RECHT-HATER FUER ANKUPPELN DER OBEREN TUER-STANG EQUERRE DROITE ACCROCHAGE TIRANT PORTE SUPERIEUR ESCUAD DCHA. FIJA TIR PUERTA SUP. LP PG ACAB.	
9	EU4108801	SQUADRETTA SINISTRA AGGANCIO TIRANTE SPORTELLO SUF LEFT BRACKET FOR UPPER DOOR TIE ROD CONNECTION FOF LINK-HALTER FUER ANKUPPELN OBEREN TUERSTANGE FUER EQUERRE DROITE ACCROCHAGE TIRANTE PORTE SUPERIEUR ESCUAD IZQDA. FIJ TIR PUERTA SUP. LP PG ACAB.	
10	EU41582	STAFFA GUARNIZIONE PORTA DOOR PACKING SUPPORT - UPPER - FOR POT A ND PAN WAS HALTERUNG FUER TUERPACKUNG - OBEN FUER K OCHTOEPI SUPPORT JOINT PORTE SUPERIEURE POUR LAVE -CASSEROI SOPORTE JUNTA PUERTA SOP. U61. .	
11	EU41583	GUARNIZIONE PORTA	
12	EU44593	TIRANTE PORTA DOOR LEVER HEBEL TUER MONT TIRANT PORTE TIRANTE PUERTA	
13	EU41095	BUSSOLA TIRANTE PORTA 610/610H BUSHING, DOOR TIE-ROD 610/610H BUCHSE, TÜRZUGSTAB 610/610H DOUILLE TIRANT PORTE 610/610H CASQUILLO TIRANTE PUERTA 610/610H	
14	EU486078	VITE TC-CE M6X40 INOX SCREW TC-CE M6X40 INOX SCHRAUBE TC-CE M6X40 INOX VIS TC-CE M6X40 INOX TORNILLO TC-CE M6X40 INOX	
15	EU44550	PORTA INFERIORE  PUERTA INFERIOR	

16	EU41327	PANNELLO ANTERIORE FRONT PANEL FRONTPANEEL PANNEAU AVANT PANEL DELANTERO EL-BASE	
17	EU929199	PIEDINO BATTUTA TIPO 30191.1.2(NERO) FOOT, BUFFER TYPE 30191.1.2 (NOIR) STÜTZFUSS, ANSCHLAG TYP 30191.1.2 (SCHWARZ) PIED FEUILL. TYPE 30191.1.2(NOIR) PATA TOPE TIPO 30191. 1. 2(NEGRO)	
19	EU41539	GUIDA CESTO RACK GUIDE KORBFUEHRUNG COULISSE PANIER GUIA CESTA	
20	EU4113501	SPESSORE LAT.SPORTELLO SIDE THICKNESS FOR DOOR SEITL. EINLEGERING FÜR TÜR EPAISSEUR LAT. VOLET GROSOR LAT. PUERTA	
21	EU4114501	PIASTRINA PERNO SPORTELLO U61.. PLATE, DOOR PIN U61.. PLATTE, TÜRANGEL U61.. PLAQUE PIVOT VOLET U61.. PLANCHITA PERNO PUERTA U61. .	
22	EU41622	PANNELLO RETRO INFERIORE REAR PANEL RUECKWANDVERKLEIDUNG PANNEAU ARRIERE PANEL PARTE POSTERIOR INFERIOR	
23	EU927006	PIEDE REGOLABILE X TRAINO FOOT, ADJUST. FOR TACK CONVEYOR VERSTELLFUSS FÜR KORBTR. PIED REGLABLE POUR AVANC. PATA REGULABLE X ACCION.	
35	EU929199	PIEDINO BATTUTA TIPO 30191.1.2(NERO) FOOT, BUFFER TYPE 30191.1.2 (NOIR) STÜTZFUSS, ANSCHLAG TYP 30191.1.2 (SCHWARZ) PIED FEUILL. TYPE 30191.1.2(NOIR) PATA TOPE TIPO 30191. 1. 2(NEGRO)	
36	EU41100	TAMPONE BATTUTA SPORTELLO LP DOOR BUFFER LP PUFFER, TÜRANSCHLAG LP TAMPON FEUILLURE VOLET LP TAMPON TOPE PUERTA LP	

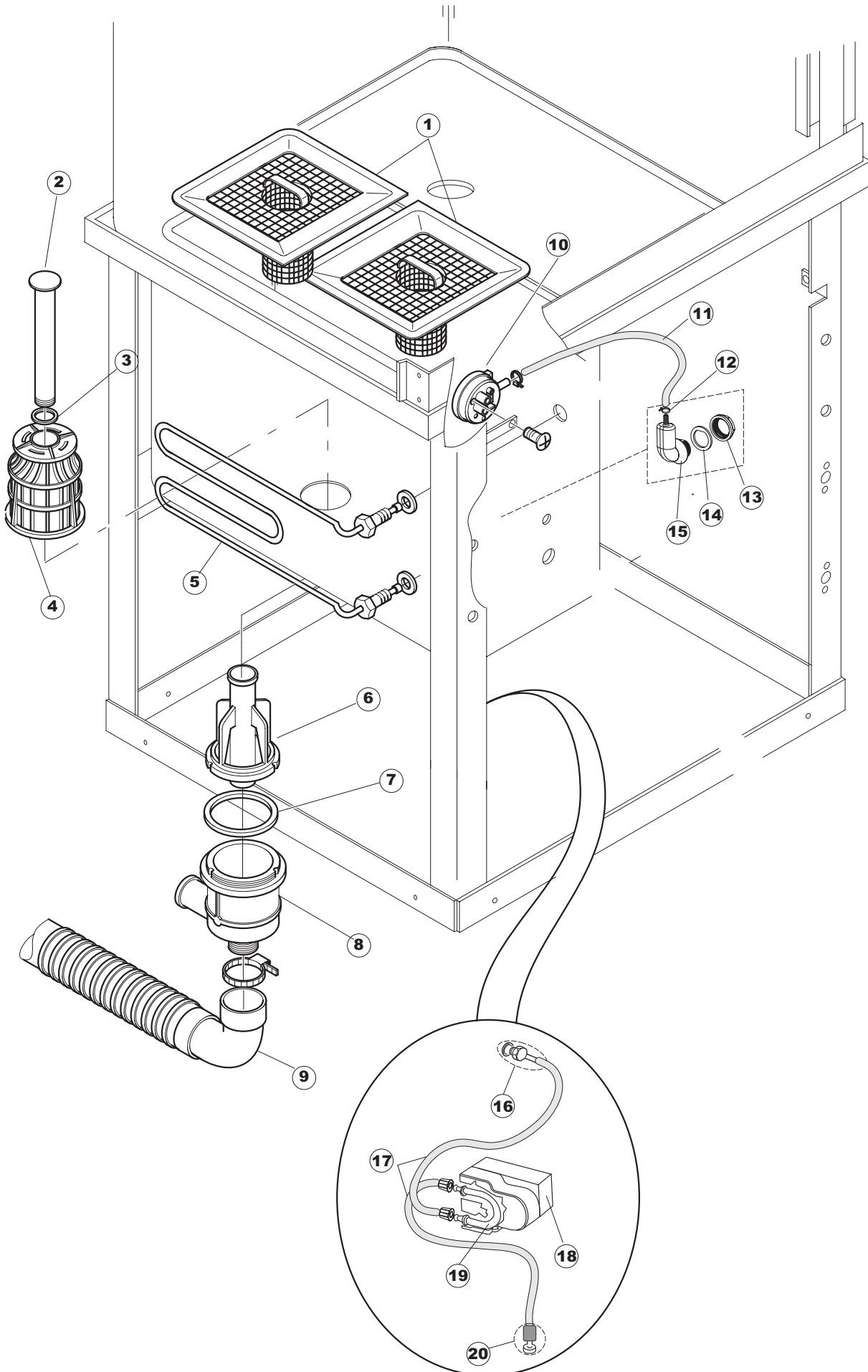


## Listino componenti per pagina 2

1	EU41416	COPERCHIO COVER DECKEL COUVERCLE TAPA PANEL	
2	EUH.228047	* PORTA-FUSIBILE * FUSE-HOLDER * SICHERUNGSTRAGER * PORTE-FUSIBLE * PORTAFUSIBLE	
3	EU228004	FUSIBILE 5X20F 4A FAST FUSE, 5X20 4A FAST SICHERUNG, 5X20 4A FAST FUSIBLE 5X20 4A FAST FUSIBLE 5X20 4A FAST	
4	EUH.228048	* CHIUSURA PORTA-FUSIBILE * CLAMPING FOR FUSE-HOLDER * SICHERUNGSTRAGER-VERSCHLUSS * COUVERTURE PORTE-FUSIBLE * CIERRE PORTAFUSIBLE	
5	EU929115	RELE 16A 230V 62.82 RELAY 16A 230V 62.82 RELAIS 16A 230V 62.82 RELAIS 16A 230V 62.82 RELE 16A 230V 62. 82	
6	EU220011	* MORSETTIERA 5.POLI + TERRA FV.122 * TERMINAL BOARD, 5-POLES + EARTH FV.122 * KLEMMENBRETT, 5-POLIG + ERDUNG FV.122 * PLAQUE A BORNE 5POLES + TERRE FV.122 * BORNERO 5. POLOS + TIERRA FV. 122	
7	EUDEP521	PRESSACAVO PG21 (BER 4721) CABLE GLAND PG21 (BER 4721) KABELSCHELLE PG21 (BER 4721) SERRE CABLE PG21 (BER 4721) SUJETA-CABLE PG21 (BER 4721)	
8	EU80997	CAVO ALIMENTAZIONE MAIN CABLE ANSCHLUSSKABEL 400V CÂBLE ÉLECTRIQUE CABLE ALIMENTACION 5X2,5MM (H07RN-F)	
9	EU215027	SCHEDA GET50 LA50 MAIN BOARD KARTE CARTE ELECTRONIQUE TARJETA CHORROS50 LA50	
10	EUCWP2	PIEDINI SUPPORTO SCHEDA ELET.(ART.DRA6A) FEET, ELECTR.CARD SUPPORT(ART.DRA6A) STÜTZFÜSSE FÜR PLATINE (ART.DRA6A) PIEDS SUPPORT FICHE ELECTR.(ART.DRA6A) PATAS SOPORTE TARJETA ELECT. (ART.DRA6A)	
11	EU41415	PANNELLO PANEL PANEEL PANNEAU PANEL PORTACOMPONENTES	
12	EU73350	CONTATTORE 230/50-60HZ CONTACTOR 230-50/60HZ KONTAKT-GEBER 230-50/60HZ CONTACTEUR 230-50/60HZ CONTACTOR	
13	EU41515	POLIESTERE POLYESTER POLYESTERE POLYESTERE POLIESTER (LUB60-LUB60H) FAGOR	
14	EU80934	CAVO FLAT COMANDI INFERIORI CAPOT CABLE FLAT CAPOT FLACHKABEL CABLE LIAISON CABLE FLAT MANDOS INFERIORES CAPOT	
15	EU69810	TENDINA COPERTURA TASTIERA PANNELLO ANTERIORE CURTAIN VORHANG RIDEAU CORTINA COPERTURA TECLADO PAN. DELANT.	

16	EU417119	DADO M3 PLASTICA BIANCO NUT, M3 PLASTIC WHITE SCHRAUBENMUTTER, M3 KUNST. WEISS ECROU M3 PLASTIQUE BLANC TUERCA M3 PLASTICO BLANCO	
17	EU419036	SPACER SPACER, M3 ABSTANDSSTÜCK, M3 ENTRETOISE M3 DISTANCIADOR M3	
18	EU227074	PULSANTIERA GET50(BASSO DI GAMMA) PUSH BUTTONS ASSEMBLY TASTENFELD TABLEAU DE PUSOIR BOTONERA GET50(BAJA DE GAMA)	
19	EU231016	SONDA TEMPERATURA TEMP. PROBE TEMPERATURSONDE SONDE SONDA TEMPERATURA (AMPOLLA ACERO)	
20	EU241327	PANNELLO ANTERIORE FRONT PANEL FRONTPANEEL PANNEAU AVANT PANEL DELANTERO EL-BASE	

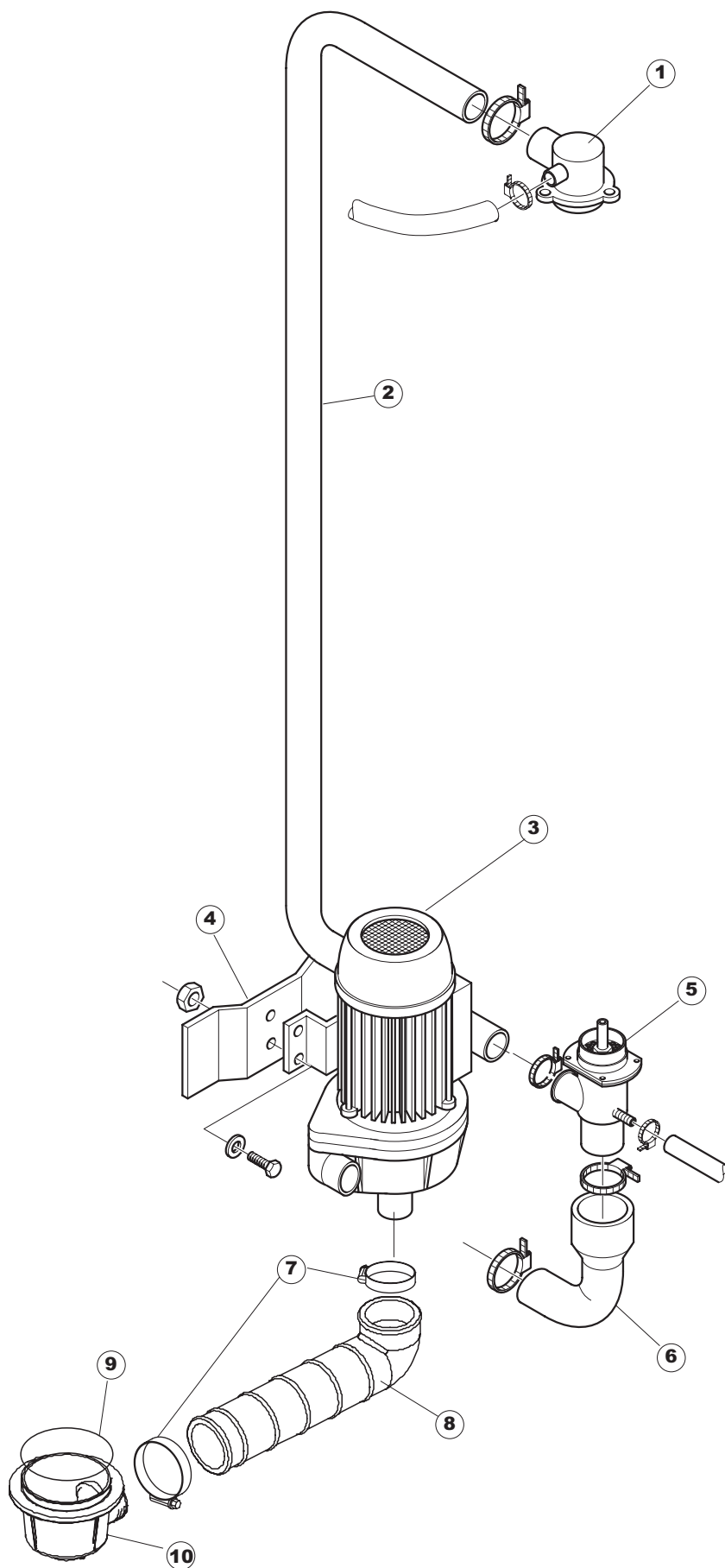




## Listino componenti per pagina 3

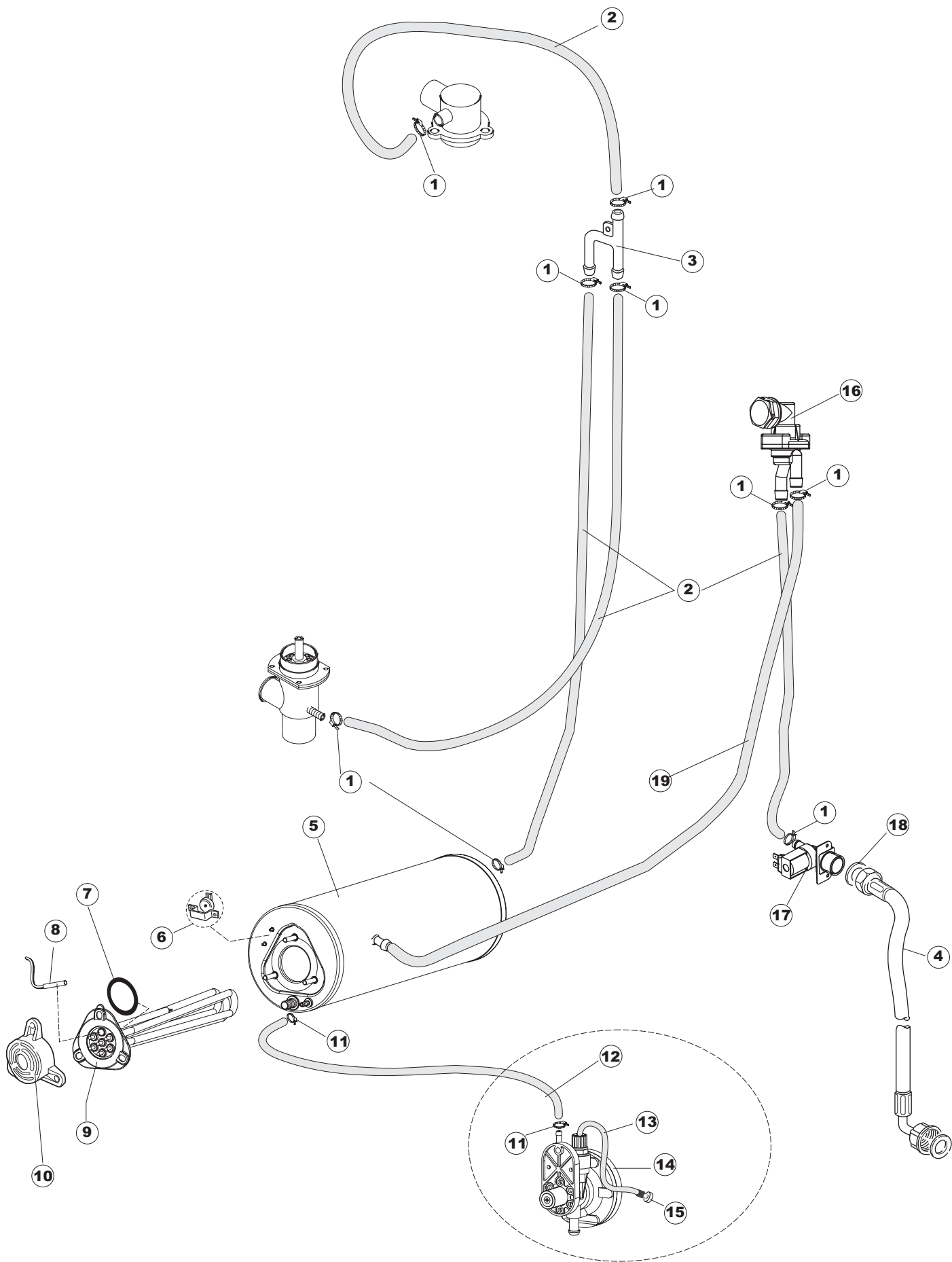
1	EU41257	FILTRO VASCA COMPLETO TANK FILTER TANKSIEB, KOMPLETT FILTRE CUVE COMPLET, FILTRO CUBETA COMPLETO U61. .	
2	EU80250	TROPPO PIENO RIVER 82/83 OVERFLOW RIVER 82/83 ÜBERLAUF RIVER 82/83 TROP-PLEIN RIVER 82/83 REBOSE RIVER 82/83	
3	EUCGR4131NT	O-RING 4131 VITON NERO SH.70 O-ring 4131 BLACK SCREW SH.70 O-RING 4131 SCHWARZE SCHRAUBE SH.70 O-RING 4131 VIS J11312 SH.70 O-RING 4131 VITON NEGRO SH. 70	
4	EU121081	FILTRO POMPA GRIGIO 44/TERZ. FILTER, PUMP GREY 44/TERZ. FILTER, PUMPE GRAU 44/TERZ. FILTRE POMPE GRIS 44/TERZ. FILTRO BOMBA GRIS 44/TERZ.	
5	EU70562	RESISTENZA 3000W 230V MONOFASE TANK HEATING ELEMENT TANK WIEDERSTAND RESISTENCE CUVE	
6	EU80470	GHIERA SCARICO RING NUT, DRAIN GEWINDERING, ABLAUF BAGUE VIDANGE VIROLA DESCARGA COLG.VER COD.429038	
7	EU456040	OR 201 NBR70 22 O-ring 201 NBR70 22 O-Ring 201 NBR70 22 OR 201 NBR70 22 OR 201 NBR70 22	
8	EU136020	CORPO ASPIRAZIONE/SCARICO 22/44 INTAKE/DRAIN BODY 22/44 GEHAUSE, EINLASS/ABLASS 22/44 CORPS ASPIRATION/VIDANGE 22/44 CUERPO ASPIRACION/DESCARGA 22/44	
9	EU143136	TUBO SCARICO VERS.NE INTEGR.22 PIPE, DRAIN - INTEGR. VERSION 22 ABLASSROHR - VOLLST. VERSION 22 TUYAU VIDANGE VERS.NE INTEGR.22 TUBO DESCARGA VERSION INTEGR. 22	
10	EU926049	PRESSOSTATO 761999 180-70 PRESSURE SWITCH 761999 180-70 DRUCKSCHALTER 761999 180-70 PRESSOSTAT 761999 180-70 PRESOSTATO 761999 180-70	
11	EU143253	TUBO SILICONE 3X8 SILICON PIPE 3X8 SILIKONSCHLAUCH 3X8 TUYAU SILICONE 3X8 TUBO SILICONA 3X8	
12	EUCFF10073	FASCETTA A FILO 10073 COLLIER DE SERRAGE EN FIL D'ACIER 10073 SCHLAUCHSCHELLE 10073 WIRE HOSECLAMP 10073 ABRAZADERA CON HILO 10073	
13	EU417120	DADO PLASTICA GRIGIO PLASTIC NUT KUNSTSTOFFMUTTER 1-1/4 ECROU EN PLASTIQUE TUERCA PLASTICO GRIS	
14	EU437098	GUARNIZIONE NUOVA CAMP.PRESS. PACKING FOR AIR TRAP OF PRESSURE SWITCH DICHTUNG FUER LUFTFALLE JOINT PRISE D'AIRE PRESSOSTAT JUNTA NUEVA CAMP.PRES.	
15	EU107012	CAMPANA PRESSOSTATO (L) RV40-50-CAPOTE AIR TRAP LUFTFALLE PRISE D'AIR CAMPANA PRESOSTATO (L) RV40-50-CAPOTA	

16	EU468151	RACCORDO ENTRATA SAPONE CPL NM * SALDATO UNION, EXTRA DET. CPL NM * WELDED TANKEINLAUF CPL NM* RACCORD ENTREE SAVON CPL NM * SOUDE EMPALME ENTRADA JABON CPL NM * SOLDADO	
17	EU143194	TUBO 4x6 CRISTAL TRASPARENTE PIPE 4x6 CRISTAL, TRANSP. SCHLAUCH 4X6 CRISTAL, DURCHS. TUYAU 4x6 CRISTAL TRANSPARENT TUBO 4x6 CRISTAL TRASPARENTE	
18	EU209021	DOSAT.PERIST.DETERGENTE REG. PERISTALTIC DISPENSER (NBR-3) DOSIERUNG PERISTALTIK DOSAGE PÉRISTALTIQUE DOSIFIC. PERIST.DETERGENTE REG.	
19	EU143219	TUBETTO SANTOPRENE 6X10 RACCORDI+GHIERE TUBE, SANTOPRENE 6X10 FITTINGS+METAL RINGS MEMBRANSCHLAUCH SANTOPREN TUBE SANTOPRENE 6X10 RACC.+COLL.DE SERR. TUBITO SANTOPRENE 6X10 EMPALMES+VIROLAS	
20	EU121075	FILTRO ASPIR.INOX(775239-001) FILTER, SUCT.INOX (775239-001) FUSSFILTER FILTRE ASPIR.INOX(775239-001) FILTRO ASPIR. INOX(775239-001)	



## Listino componenti per pagina 4

1	EU35604	CONDOTTO SUPERIORE  CONDUCTO CENTRAL SUPERIOR LP92	
2	EU44354	TUBO PIPE ROHR TUYAU TUBO LAVADO	
3	EU41990	ELETTROPOMPA 2000W ELECTROPUMP 2 KW 230/400-50HZ CL F MOTORPUMPE 2 KW 230/400-50HZ CL F MOTOPOMPE 2 KW 230/400-50HZ CL F ELECTROBOMBA 2000W	
4	EU41626	STAFFA POMPA	
5	EU4206301	RACCORDO LANCIA LAV.INF.EW610.. UNION, WASH.ARM LOW.EW610.. VERBINDUNGSST., SPÜLARM UNTEN EW610.. RACCORD RAMPE DE LAV.INF.EW610.. EMPALME LANZA LAV. INF. EW610. .	
6	EU41560	MANICOTTO COUPLING MUFFE MANCHON MANGUITO LAVADO	
7	EUCFS3	FASCETTA A VITE TORRO W2B 60-80/12 CLAMP, HOSE-TYPE TORRO W2B 60-80/12 SCHELLE, SCHRAUBE TORRO W2B 60-80/12 BANDE DE SERRAGE A VIS TORRO W2B 60-80/12 ABRAZADERA CON TORNILLO TORRO W2B	
8	EU80186	MANICOTTO ASPIRAZ.POMPA RIVER SLEEVE, SUCT.PUMP RIVER MUFFE, ABSAUG.PUMPE RIVER MANCHON ASPIRAT.POMPE RIVER MANGUITO ASPIRAC. BOMBA RIVER	
9	EU456040	OR 201 NBR70           22 O-ring 201 NBR70       22 O-Ring 201 NBR70       22 OR 201 NBR70           22 OR 201 NBR70 22	
10	EU136020	CORPO ASPIRAZIONE/SCARICO 22/44 INTAKE/DRAIN BODY 22/44 GEHAUSE, EINLASS/ABLASS 22/44 CORPS ASPIRATION/VIDANGE 22/44 CUERPO ASPIRACION/DESCARGA 22/44	

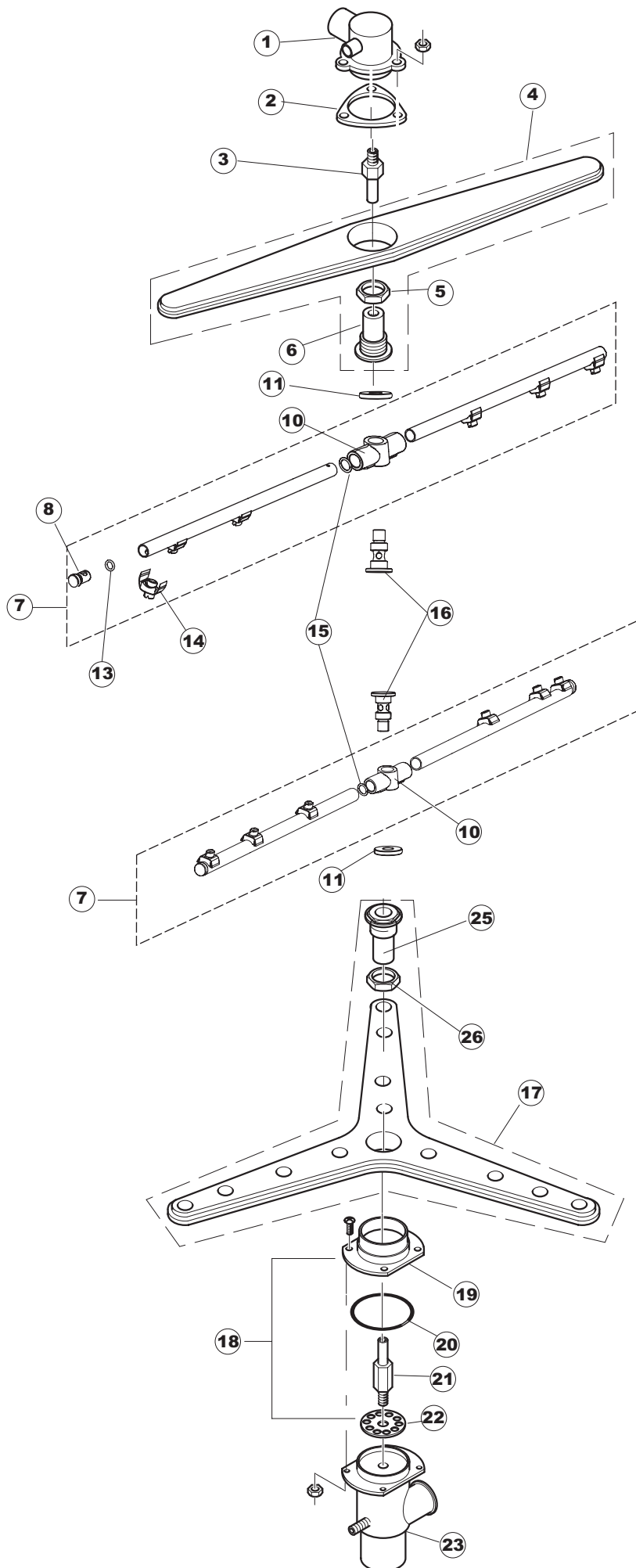


## Listino componenti per pagina 5

1	EU927322	FASCETTA NASTRO 14-24 CLAMP, TAPE 14-24 SCHLAUCHSCHELLE 12-22 BANDE DE SERRAGE CONVOYEUR 14-24 ABRAZADERA CINTA 12-22	
2	EU143010	TUBO PRESS.TP 12X19.5 PIPE, PRESSURE SWITCH TP 12X19.5 ROHR, DRUCKSCHALTER TP 12X19.5 TUYAU PRESS.TP 12X19.5 TUBO PRES. TP 12X19. 5	
3	EU143268	GIUNZIONE DI RISCIAQUO RINSE MANIFOLD Y-STUECK RACCORD DE RINCAGE UNION ENJUGUE PLAST.	
4	EU929169	TUBO DI CARICO DEL TERMOPLASTICO PIPE, THERMOPLASTIC DELIVERY ZULAUFSCHLAUCH, WASSER THERMOPLAST TUYAU DE CHARG. DU THERMOPLASTIQUE TUBO DE CARGA DEL TERMOPLASTICO	
5	EU80389	BOILER RIVER CAPOT BOILER RIVER CAPOT BOILER DURCHSCHUBSPÜLAUTOM. RIVER CHAUDIERE RIVER CAPOT CALENTADOR RIVER CAPOT	
6	EU926189	TERMOSTATO BOILER SIC.95ø THERMOSTAT, BOILER, SAF.95ø SICHERHEITSTHERMOSTAT BOILER 95° THERMOSTAT CHAUDIERE SEC. 95ø TERMOSTATO CALENTADOR SEG. 95ø	
7	EU456002	OR 48x6,2 O-ring 48x6,2 O-Ring 48x6,2 OR 48x6,2 OR 48x6,2	
8	EU231016	SONDA TEMPERATURA TEMP. PROBE TEMPERATURSONDE SONDE SONDA TEMPERATURA (AMPOLLA ACERO)	
9	EU230083C	KIT RESISTENZA REB230083 (6KW) KIT, RESISTANCE REB230083 (6KW) KIT, WIDERSTAND REB230083 (6KW) KIT RESISTANCE REB230083 (6KW) KIT RESISTENCIA REB230083 (6KW)	
10	EU69870	PROTEZIONE RESISTENZA BOILER BOILER HEATING ELEMENT PROTECTION HEIZUNGSCHUETZ DES WARMWASSERBEREITERS PROTECTION RESISTANCE BOILER PROTECCION RESISTENCIA CALENTADOR	
11	EU423010	FASCETTA D8X12X7,5 TIPO TORRO ACC.W2 CLAMP, D8X12X7,5 TYPE TORRO ACC.W2 SCHELLE, D8X12X7,5 TYP TORRO ACC.W2 BANDE DE SERR. D8X12X7,5 TYPE TORRO ACC.W2 ABRAZADERA D8X12X7,5 TIPO TORRO ENC. W2	
12	EU143005	TUBO PRESS.TP 5x11 (CASER/15/NL C4N) PIPE, PRESSURE SWITCH TP 5x11 (CASER/15/NL C4N) SCHLAUCH TP 5X11 (CASER/15/NL C4N) TUYAU PRESS.TP 5x11 (CASER/15/NL C4N) TUBO PRES. TP 5x11 (CASER/15/NL C4N)	
13	EUH.775601	TUBO 4x6 CRISTAL BLUE PVC PIPE 4x6 CRISTAL BLUE PVC ROHR 4x6 CRISTAL BLAU PVC TUYAU 4x6 CRISTAL BLEU PVC TUBO 4x6 CRISTAL AZUL PVC	
14	EU209025	DOSATORE BRILLANTANTE RINSE AID DISPENSING PUMP DOSIERPUMPE KLARSPUELER POMPE DOSEUR PR.RINÇAGE BOMBA DOSIFICADOR ABRILL.(BP)DIEB0805E	
15	EU121075	FILTRO ASPIR.INOX(775239-001) FILTER, SUCT.INOX (775239-001) FUSSFILTER FILTRE ASPIR.INOX(775239-001) FILTRO ASPIR. INOX(775239-001)	

16	EU144010	DISPOSIT.A/R.(EB) VEDI 144010NT CHECK VALVE (EB) W/DRAIN SEE 144010NT RÜCKSCHLAGVORR.(EB) DISPOSIT.A/R.(EB) AVEC RACCORD DE VIDANGE DISPOSIT. A/R. (EB) CON EMPALME ALVIAD.	
17	EU240016	VALVOLA DI CARICO 1VIA 3/4 230V PARZ.16L LOADING S.VALVE 1-WAY 3/4 230V PART.16L ZUFLUSSVENTIL 1-WEG 3/4 230V DROSS.16L SOUPAPE DE CHARG. 1VOIE 3/4 230V PARZ.16L VALVULA DE CARGA 1VIA 3/4 230V PARC. 16L	
18	EU437041	GUARNIZIONE 3/4 GAS CARICO GASKET 3/4 GAS LOAD DICHTUNG 3/4 GASVERSORG. JOINT 3/4 GAZ VID. JUNTA 3/4 GAS CARGA	
19	EU41556	TUBO SAGOMATO PIPE ROHR TUYAU TUBO PERFILADO	

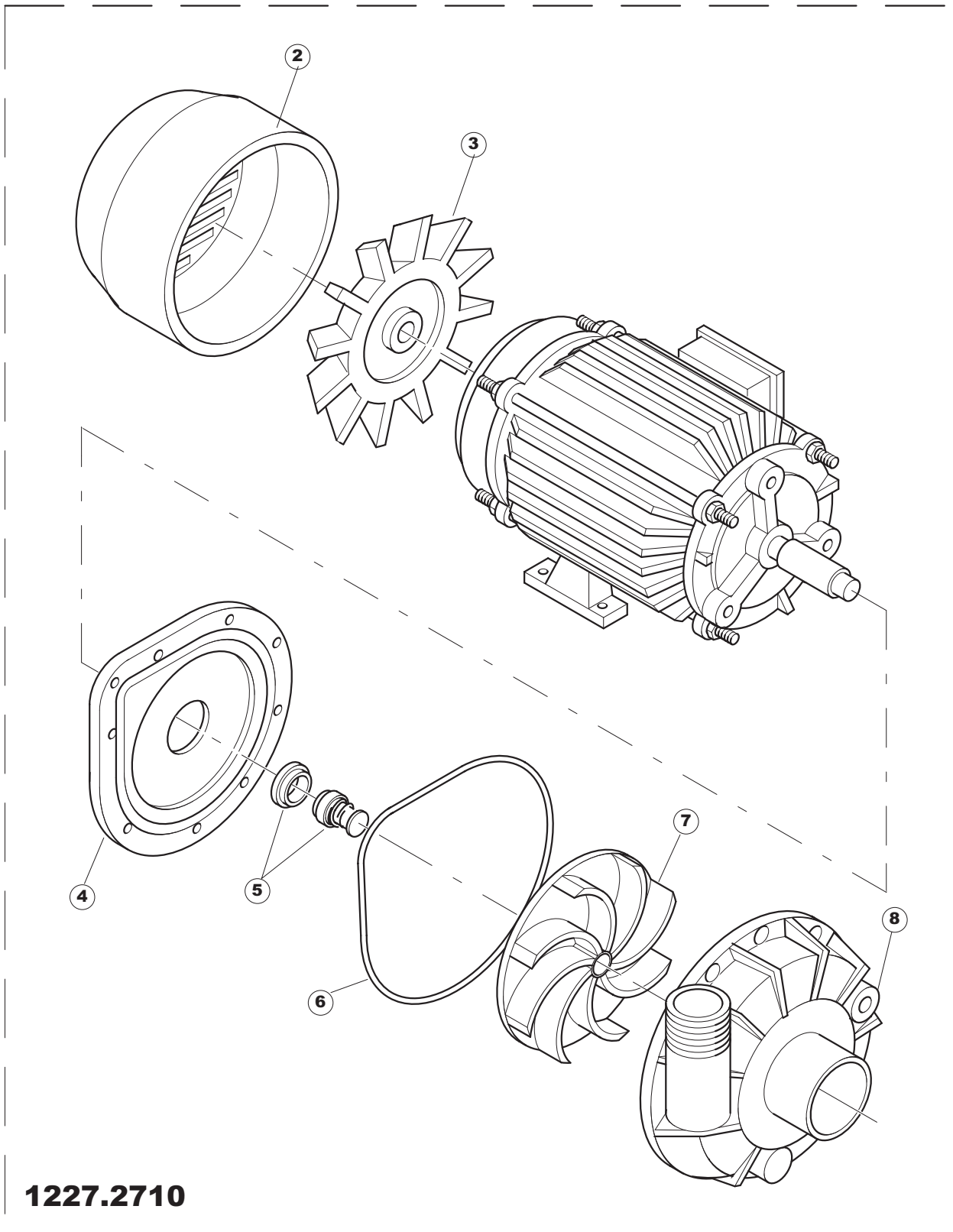




## Listino componenti per pagina 6

1	EU35604	CONDOTTO SUPERIORE  CONDUCTO CENTRAL SUPERIOR LP92	
2	EU437064	GUARNIZIONE COND.CENTR.SUP.50 GASKET, MANIFOLD, CENTR.UPP.50 DICHTUNG, SAMMELLEITUNG, ZENTR.OB.50 JOINT COND.CENTR.SUP.50 JUNTA COND. CENTR. SUP. 50	
3	EU80282	ALBERO PERNO RISC.RIVER SHAFT, WASH RINSE RIVER WELLE, ZAPFEN NACHSPÜLEN RIVER ARBRE PIVOT RINC.RIVER EJE PERNO ENJUAGUE RIVER	
4	EU80311	PETTINE LAVAGGIO RIVER CAPOT COMB, WASHING RIVER CAPOT KAMM, SPÜLEN RIVER-DURCHSCHUBSPÜLAUTOM. PEIGNE LAVAGE RIVER CAPOT PEINE LAVADO RIVER CAPOT	
5	EU80314	DADO LANCIA LAVAGGIO GRIGIO NUT, WASH-ARM GREY SCHRAUBENMUTTER, SPÜLLANZE GRAU ECROU RAMPE DE LAVAGE GRIS VER CODIGO 926128	
6	EU80310	SUPPORTO LANC/LAVAGGIO (RAL7001) SUPPORT, WASH-ARM/WASH. (RAL7001) HALTER, SPÜLLANZE/SPÜL. (RAL7001) SUPPORT RAMPE DE LAVAGE (RAL7001) SOPORTE LANC/LAVADO (RAL7001)	
7	EU41677	BRACCIO RISCIAQUO ROTATING RINSE ARM FOR POT AND PAN WASHE R NACHSPUELUNGSARM - DREHBAR - FUER KOCHTO EPFESPU TOURNIQUET DE RINCAGE POUR LAVE-CASSEROL ES BRAZO ENJUAGUE	
8	EU926132	TAPPO PL.X BRACCIO DI RISC.(DWT312) CAP, PLASTIC FOR WASH. ARM (DWT312) PFROPFEN, KUNST. FÜR NACHSPÜLARM (DWT312) BOUCHON PL.POUR BRAS DE RINC.(DWT312) TAPON PL. X BRAZO DE ENJUAGUE (DWT312)	
10	EU69632	CORPO PETTINE ARM BODY KOERPER DES NACHSPUELARMES CORPS BRAS CUERPO PEINE ENJUAGUE.	
11	EU80679	GHIERA ULTRA RINSE INOX NUT RING BAGUE VIROLA ULTRA RINSE INOX	
13	EUCGR106	O-RING 106 GOMMA NITR. (6,75 X 1,78 NBR) O-ring 106 NITRILE RUBBER (6,75 X 1,78 NBR) O-RING 106 NITRILGUMMI (6,75 X 1,78 NBR) O-RING 106 CAOUTCHOUC NITRYLE (6,75 X 1,78 NBR) VER CÓDIGO 456030	
14	EU140036	SPRUZZO RISCIAQUO D.2,5 X TUBO D12 RINSE JET DUESE GLICEUR ROCIADOR ENJUAGUE D. 2,5	
15	EU456019	OR 2037 O-ring 2037 O-Ring 2037 OR 2037 OR 2037	
16	EU80644	PERNO  PIVOT BRAS RINCAGE	
17	EU929195	LANCIA DI LAV.TRIANGOLARE COMPL.U61 COMPLETE TRIANGULAR WASH LANCE U61 DREIECKIGER WASCHARM KOMPL. U61 LANCE DE LAVAGE TRIANGULAIRE COMPLETE U61 LANZA DE LAV.TRIANGOLARE COMPL.U61	

18	EU41064CP	CONTROFL.SUP.LANCIA LAV.U61/61H COUNTER-FLANGE, SUPP. FOR ARM-WASH U61/61H GEGENFLANSCH, OB. FÜR SPÜLLANZE U61/61H CONTRE-BRIDE SUP.RAMPE DE LAV.U61/61H CONTRABRIDA SUP. LANZA LAV. U61/61H	
19	EU41064	CONTROFL SUPP LANCIA LAV LP SUPPORT UNTERLAGE SUPPORT CONTRABRIDA SUP. LANZA LAV. LP	
20	EU926252	OR 4275 O-ring 4275 O-Ring 4275 OR 4275 OR 4275	
21	EU42053	PERNO LANCIA LAV.INFER.U61 PIN, LOW.WASH. WASH-ARM U61 ZAPFEN, UNT.SPÜLLANZE U61 PIVOT RAMPE DE LAV.INFER.U61 PERNO LANZA LAV. INFER. U61	
22	EU41185	PARZIALIZZATORE PL. DRAUGHT SHUTTER PL. DROSSELGERAT PL. ETRANGLEUR PL. PARCIALIZADOR PL.	
23	EU4206301	RACCORDO LANCIA LAV.INF.EW610.. UNION, WASH.ARM LOW.EW610.. VERBINDUNGSST., SPÜLARM UNTEN EW610.. RACCORD RAMPE DE LAV.INF.EW610.. EMPALME LANZA LAV. INF. EW610. .	
25	EU926129	SUPPORTO/MOZZO LANCIA LAVAGGIO SUPPORT/HUB FOR WASH-ARM HALTER/NABE FÜR SPÜLLANZE SUPPORT/MOYEU RAMPE DE LAVAGE SOPORTE/CUBO LANZA LAVADO	
26	EU80314	DADO LANCIA LAVAGGIO GRIGIO NUT, WASH-ARM GREY SCHRAUBENMUTTER, SPÜLLANZE GRAU ECROU RAMPE DE LAVAGE GRIS VER CODIGO 926128	



1

## Listino componenti per pagina 7

1	EU41990	ELETTROPOMPA 2000W ELECTROPUMP 2 KW 230/400-50HZ CL F MOTORPUMPE 2 KW 230/400-50HZ CL F MOTOPOMPE 2 KW 230/400-50HZ CL F ELECTROBOMBA 2000W	
2	EU313001	COPRIVENTOLA 1225-1241 FAN COVER, 1225-1241 GEBL.HAUBE, 1225-1241 COUVRE-VENT. 1225-1241 CUBREVENTILADOR 1225-1241	
3	EU335003	VENTOLA 1295/2277 FAN 1295/2277 GEBL. 1295/2277 VENT. 1295/2277 ROTOR 1295/2277	
4	EU315002	FLANGIA+CAPPELLO 1225 FLANGE,+CAP 1225 FLANSCH,+KAPPE 1225 BRIDE+COUVERTURE 1225 BRIDA+CAPERUZA 1225	
5	EU141002	TENUTA MECCANICA ROTANTE D 12 SEAL, MECH., REVOLVING D 12 DICHTUNG, MECH., ROTIER. D 12 JOINT MECANIQUE PIVOTANT 12 SELLO MECANICO GIRAT. D 12	
6	EU456023	OR FIR 1225-41-95 O-ring FIR 1225-41-95 O-Ring FIR 1225-41-95 OR FIR 1225-41-95 OR FIR 1225-41-95	
7	EU41991	GIRANTE PER ELETTROPOMPA IMPELLER  ROTOR EL.BOMBA	
8	EU116002	CORPO POMPA S850-70 1225 PUMP SHELL, S850-70 1225 PUMPENGEHAUSE, S850-70 1225 CORPS POMPE S850-70 1225 CUERPO BOMBA S850-70 1225	