

**Lavavajillas de apertura frontal  
Lave-vaisselle à ouverture frontale  
Front loading dishwasher  
Geschirrspülmaschinen mit frontbeladung  
Lavastoviglie ad apertura frontale  
Lava-louças de apertura frontal**

**Modelos:**

**FI-48  
FI-48 B  
FI-48 C  
FI-48 D  
FI-48 W  
FI-48 B-BTUK  
FI-48 HY CLINIC**

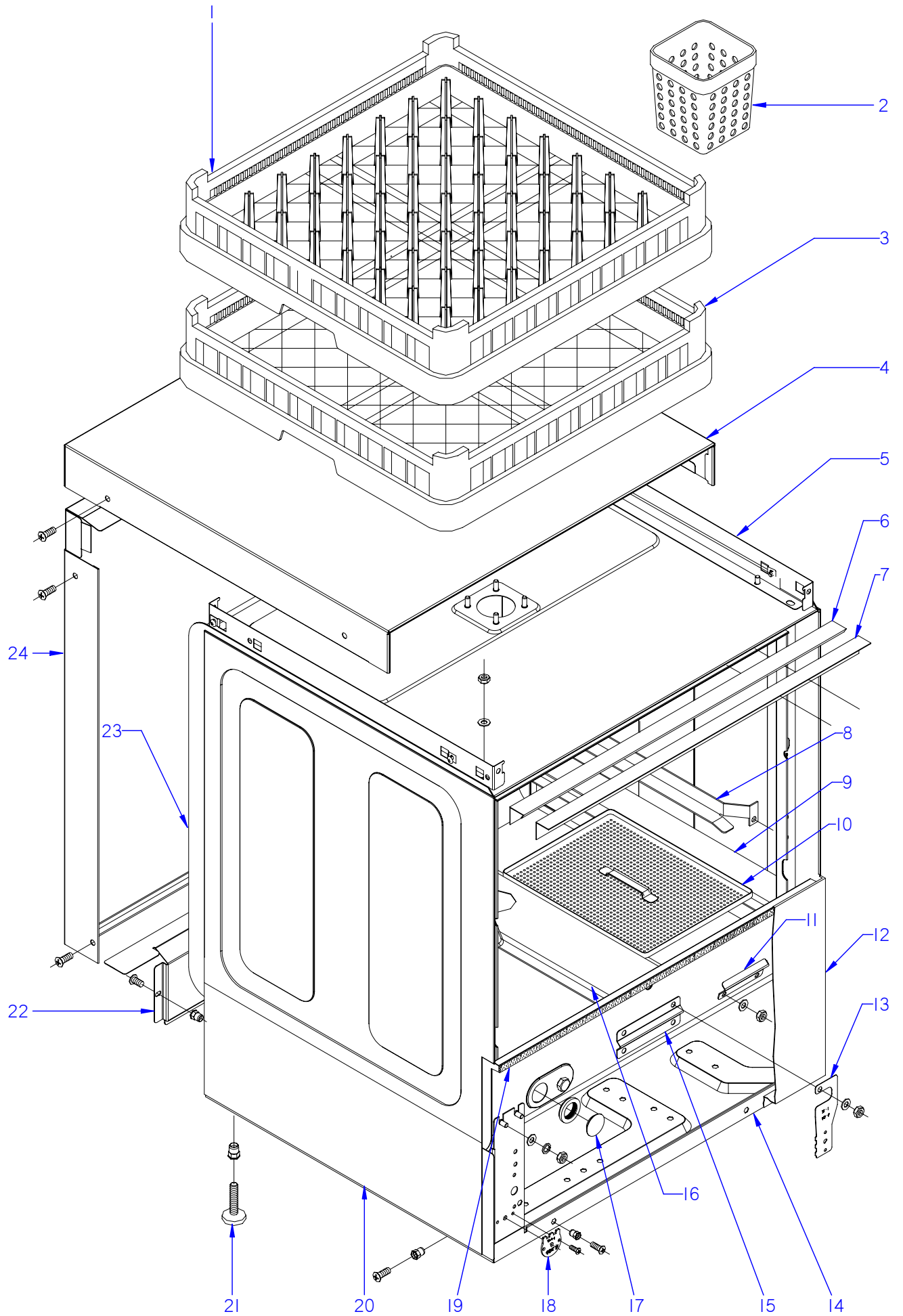
***Junio 2009 June***

***Revisado Agosto 2013 August Revised***



---

F A G O R I N D U S T R I A L



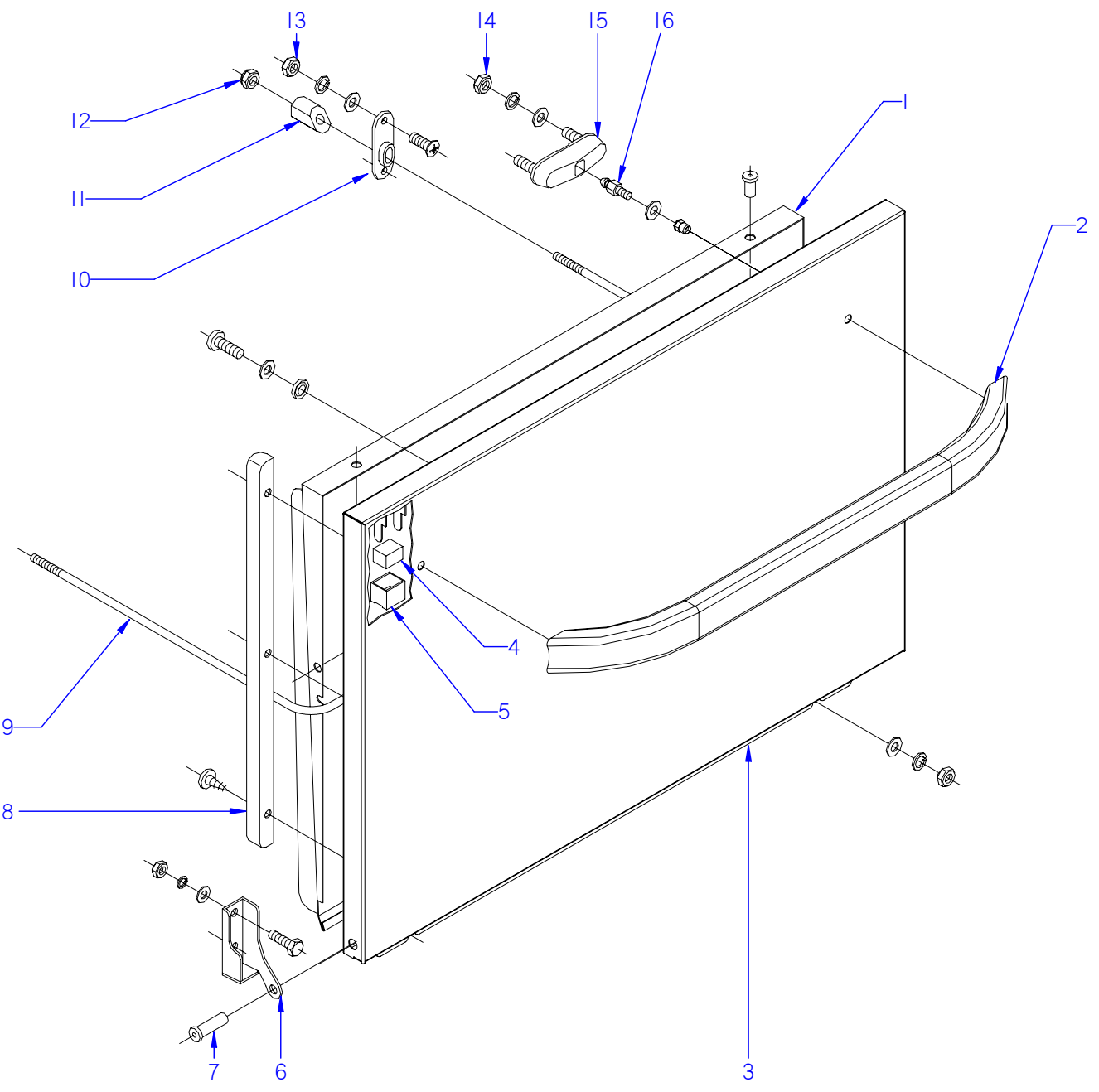
ITEM MARCADO EN COLOR = REPUESTO RECOMENDADO  
 COLOURED ITEM = RECOMMENDED SPARE PART

|         |                    |         |                    |        |        |                                       |
|---------|--------------------|---------|--------------------|--------|--------|---------------------------------------|
| N plano | Firma              | Fecha   | Aparato            | MUEBLE | Lamina | Fagor Industrial S.Coop. <b>FAGOR</b> |
| C-1829  | <i>(Signature)</i> | 2007-06 | LAVAVAJILLAS FI-48 |        | 1      | Oñate                                 |

| MOD. |            | LAVAVAJILLAS DE APERTURA FRONTAL |                             | ZONA  | MUEBLE  |         |         |         |              |                 |                      | C-1829 |
|------|------------|----------------------------------|-----------------------------|-------|---------|---------|---------|---------|--------------|-----------------|----------------------|--------|
| ITEM | CODIGO     | DENOMINACION                     | TEXTO                       | FI-48 | FI-48 B | FI-48 C | FI-48 D | FI-48 W | FI-48 B-BTUK | FI-48 HY CLINIC | NOTAS                |        |
| 1    | Z655302000 | CESTILLO PLATOS CP-16-18         | PLATE BASKET CP-16-18       | 1     | 1       | 1       | 1       | 1       | 1            | 1               |                      |        |
| 2    | Z655314000 | CESTILLO CUBIERTOS               | CUTLERY BASKET              | 4     | 4       | 4       | 4       | 1       | 4            | 4               |                      |        |
| 3    | Z655301000 | CESTILLO BASE CT-10              | BASE BASKET CT-10           | 1     | 1       | 1       | 1       | 1       | 1            | 1               |                      |        |
|      | Z209121000 | TOPE 50x50x80                    | BUFFER 50x50x80             | 2     | 2       | 2       | 2       | 2       | 2            | 2               |                      |        |
| 4    | Z202906000 | TAPA T-CO.                       | COVER T-CO.                 | 1     | 1       | 1       | 1       | 1       | 1            | 1               |                      |        |
|      | Q221342000 | REMACHE EXAGONAL M5              | HEXAGONAL RIVET M5          | 2     | 2       | 2       | 2       | 2       | 2            | 2               |                      |        |
|      | Q152004000 | TORNIL, APLASTADO M5x13 A304     | FLAT HEADED BOLT M5x13 A304 | 2     | 2       | 2       | 2       | 2       | 2            | 2               |                      |        |
|      | Q152004000 | TORNIL, APLASTADO M5x13 A304     | FLAT HEADED BOLT M5x13 A304 | 4     | 4       | 4       | 4       | 4       | 4            | 4               |                      |        |
|      | Q221012000 | TUERCA RAPIDA M,5                | RAPID NUT M,5               | 4     | 4       | 4       | 4       | 4       | 4            | 4               |                      |        |
|      | 3713500000 | PERFIL CUBREARISTAS PLASTICO     | PLASTIC EDGE COVER PROFILE  | 1     | 1       | 1       | 1       | 1       | 1            | 1               |                      |        |
| 5    | Z200329000 | ESCUADRA AMARRE TAPA AF          | COVER FASTENING BRACKET AF  | 2     | 2       | 2       | 2       | 2       | 2            | 2               | ELIMINADO 29.01.10   |        |
| 5    | Z200346000 | ESCUADRA AMARRE TAPA AF          | COVER FASTENING BRACKET AF  | 2     | 2       | 2       | 2       | 2       | 2            | 2               | INTRODUCIDO 29.01.10 |        |
|      | Q162040000 | TUERCA EXAGONAL M6               | HEXAGONAL NUT M6            | 4     | 4       | 4       | 4       | 4       | 4            | 4               |                      |        |
|      | Q232040000 | ARANDELA A6                      | WASHER A6                   | 4     | 4       | 4       | 4       | 4       | 4            | 4               |                      |        |
|      | Q012073000 | TORNILLO EXAGONAL M12X20         | HEXAGONAL BOLT M12x20       | 2     | 2       | 2       | 2       | 2       | 2            | 2               |                      |        |
|      | Q306024000 | JUNTA18X12.5X1.5                 | SEAL 18X12.5X1.5            | 2     | 2       | 2       | 2       | 2       | 2            | 2               |                      |        |
|      | Q162070000 | TUERCA EXAGONAL M12              | HEXAGONAL NUT M12           | 2     | 2       | 2       | 2       | 2       | 2            | 2               |                      |        |
| 6    | Z200315000 | PERFIL CAJA                      | BOX PROFILE                 | 1     | 1       | 1       | 1       | 1       | 1            | 1               |                      |        |
| 7    | Z200309000 | ESCUADRA SUJECCION PERFIL        | FASTENING BRACKET PROFILE   | 1     | 1       | 1       | 1       | 1       | 1            | 1               |                      |        |
| 8    | Z200305000 | GUIA CESTILLO DERECHO            | RIGHT BASKET GUIDE          | 1     | 1       | 1       | 1       | 1       | 1            | 1               | ELIMINADO 01.12.10   |        |
| 8    | Z200347000 | GUIA CESTILLO DERECHO            | RIGHT BASKET GUIDE          | 1     | 1       | 1       | 1       | 1       | 1            | 1               | INTRODUCIDO 01.12.10 |        |
| S/Nº | Z200306000 | GUIA CESTILLO IZQUIERDO          | LEFT BASKET GUIDE           | 1     | 1       | 1       | 1       | 1       | 1            | 1               | ELIMINADO 01.12.10   |        |
| S/Nº | Z200348000 | GUIA CESTILLO IZQUIERDO          | LEFT BASKET GUIDE           | 1     | 1       | 1       | 1       | 1       | 1            | 1               | INTRODUCIDO 01.12.10 |        |
|      | Q162040000 | TUERCA EXAGONAL M6               | WASHER A6                   | 4     | 4       | 4       | 4       | 4       | 4            | 4               |                      |        |
|      | Q232040000 | ARANDELA A6                      | HEXAGONAL NUT M6            | 4     | 4       | 4       | 4       | 4       | 4            | 4               |                      |        |
|      | Q012073000 | TORNIL. EXAGONAL M12x20 A.304    | HEXAGONAL BOLTm12x20 A.304  | 2     | 2       | 2       | 2       | 2       | 2            | 2               |                      |        |
| 9    | Z210805000 | SOPORTE DERECHO BANDEJAS         | RIGHT TRAY SUPPORT          | 1     | 1       | 1       | 1       | 1       | 1            | 1               |                      |        |
| S/Nº | Z210806000 | SOPORTE IZDQUIERD. BANDEJAS      | LEFT TRAY SUPPORT           | 1     | 1       | 1       | 1       | 1       | 1            | 1               |                      |        |
|      | Q162040000 | TUERCA EXAGONAL M6               | HEXAGONAL NUT M6            | 4     | 4       | 4       | 4       | 4       | 4            | 4               |                      |        |
|      | Q232040000 | ARANDELA A6                      | WASHER A6                   | 4     | 4       | 4       | 4       | 4       | 4            | 4               |                      |        |
|      |            |                                  |                             |       |         |         |         |         |              |                 |                      |        |

| MOD. |            | LAVAVAJILLAS DE APERTURA FRONTAL |                             | ZONA  | MUEBLE  |         |         |         |              |                 |                      | C-1829 |
|------|------------|----------------------------------|-----------------------------|-------|---------|---------|---------|---------|--------------|-----------------|----------------------|--------|
| ITEM | CODIGO     | DENOMINACION                     | TEXTO                       | FI-48 | FI-48 B | FI-48 C | FI-48 D | FI-48 W | FI-48 B-BTUK | FI-48 HY CLINIC | NOTAS                |        |
| 10   | Z210801000 | BANDEJA COMPLETA                 | COMPLETE TRAY               | 4     | 4       | 4       | 4       | 4       | 4            | 4               | ELIMINADO 05.06.08   |        |
| 10   | Z210802000 | BANDEJA COMPLETA                 | COMPLETE TRAY               | 4     | 4       | 4       | 4       | 4       | 4            | 4               | INTRODUCIDO 05.06.08 |        |
| 11   | Z431701000 | CHAPA TERMOMETRO W               | THERMOMETER PLATE W         |       |         |         |         | 1       |              |                 |                      |        |
|      | Q012073000 | TORNILLO EXAGONAL M12X20         | HEXAGONAL BOLT M12x20       |       |         |         |         | 2       |              |                 |                      |        |
|      | Q162070000 | TUERCA EXAGONAL M12              | HEXAGONAL NUT M12           |       |         |         |         | 2       |              |                 |                      |        |
|      | Q306024000 | JUNTA 18x12,5x1,5                | SEAL 18x12.5x1.5            |       |         |         |         | 2       |              |                 |                      |        |
| 12   | Z202913000 | PANEL FRONTAL SIN PUERTA         | FRONT PANEL WITHOUT DOOR    | 1     |         |         | 1       |         |              |                 |                      |        |
| 12   | Z228812000 | PANEL FRONTAL B SIN PUERTA       | FRONT PANEL B WITHOUT DOOR  |       | 1       | 1       |         | 1       | 1            | 1               |                      |        |
|      | Q152004000 | TORNIL, APLASTADO M5x13 A304     | FLAT HEADED BOLT M5x13 A304 | 2     | 2       | 2       | 2       | 2       | 2            | 2               |                      |        |
| 13   | Z208435000 | SOPORTE W TERMOST. TANQUE        | THERMOSTAT SUPPORT W TANK   |       |         |         |         | 1       |              |                 |                      |        |
|      | Q162040000 | TUERCA EXAGONAL M6               | HEXAGONAL NUT M6            |       |         |         |         | 4       |              |                 |                      |        |
|      | Q232040000 | ARANDELA A6                      | WASHER A6                   |       |         |         |         | 4       |              |                 |                      |        |
|      | Q262040000 | ARANDELA GROW. A6 A.304          | WASHER GROW. A6 A.304       |       |         |         |         | 4       |              |                 |                      |        |
| 14   | Z200101000 | ARMAZON COMPLETO                 | COMPLETE FRAME              | 1     | 1       | 1       | 1       | 1       | 1            | 1               |                      |        |
| 15   | Z748008000 | SOPORTE BULBO TERMOSTATO         | THERMOSTAT BULB SUPPORT     |       |         |         |         | 1       |              |                 |                      |        |
|      | Q162040000 | TUERCA EXAGONAL M6               | HEXAGONAL NUT M6            |       |         |         |         | 2       |              |                 |                      |        |
|      | Q232040000 | ARANDELA A6                      | WASHER A6                   |       |         |         |         | 2       |              |                 |                      |        |
|      | Q262040000 | ARANDELA GROW. A6 A.304          | WASHER GROW. A6 A.304       |       |         |         |         | 2       |              |                 |                      |        |
| 16   | Z210804000 | SOPORTE CENTRAL BANDEJAS         | CENTRAL TRAY SUPPORT        | 1     | 1       | 1       | 1       | 1       | 1            | 1               |                      |        |
| 17   | P443060000 | TAPON                            | COVER                       |       |         |         |         | 1       |              |                 |                      |        |
|      | N503017000 | SOPORTE TERMOSTATO 1001713       | THERMOSTAT SUPPORT 1001713  |       |         |         |         | 1       |              |                 |                      |        |
| 18   | Z718446000 | CHAPA W 85°C                     | PLATE W 85°C                |       |         |         |         | 1       |              |                 | ELIMINADO 30,10,12   |        |
| 19   | Z200313000 | PERFIL GOMA ESPONJOSA            | FOAM RUBBER PROFILE         | 1     | 1       | 1       | 1       | 1       | 1            | 1               |                      |        |
| 20   | Z202903000 | PANEL LATERAL IZQUIERDO          | LEFT SIDE PANEL             | 1     | 1       | 1       | 1       | 1       | 1            | 1               |                      |        |
|      | Q152004000 | TORNIL, APLASTADO M5x13 A304     | FLAT HEADED BOLT M5x13 A304 | 2     | 2       | 2       | 2       | 2       | 2            | 2               |                      |        |
| S/Nº | Z202902000 | PANEL LATERAL DERECHO            | RIGHT SIDE PANEL            | 1     | 1       | 1       | 1       | 1       | 1            | 1               |                      |        |
|      | Q152004000 | TORNIL, APLASTADO M5x13 A304     | FLAT HEADED BOLT M5x13 A304 | 2     | 2       | 2       | 2       | 2       | 2            | 2               |                      |        |
| 21   | Z200107000 | PATA REGULABLE                   | ADJUSTABLE LEG              | 4     | 4       | 4       | 4       | 4       | 4            | 4               |                      |        |
| 22   | Z202921000 | PANEL POSTERIOR INFERIOR         | REAR LOWER PANEL            | 1     | 1       | 1       | 1       | 1       |              |                 |                      |        |
| 22   | Z258941000 | PANEL POSTERIOR INFERIOR B.T.    | REAR LOWER PANEL L.V.       |       |         |         |         |         | 1            | 1               |                      |        |
|      | Q152004000 | TORNIL, APLASTADO M5x13 A304     | FLAT HEADED BOLT M5x13 A304 | 2     | 2       | 2       | 2       | 2       | 2            | 2               |                      |        |

| ITEM | CODIGO     | DENOMINACION                 | TEXTO                       | FI-48 | FI-48 B | FI-48 C | FI-48 D | FI-48 W | FI-48 B-BTUK | FI-48 HY<br>CLINIC | NOTAS |
|------|------------|------------------------------|-----------------------------|-------|---------|---------|---------|---------|--------------|--------------------|-------|
| 23   | Z208730000 | CAJA SOLDADA                 | WELDED BOX                  | 1     | 1       |         |         |         |              |                    |       |
| 23   | Z208412000 | CAJA SOLDADA W               | WELDED BOX W                |       |         | 1       |         | 1       |              |                    |       |
| 23   | Z210352000 | CAJA SOLDADA D               | WELDED BOX D                |       |         |         | 1       |         |              |                    |       |
| 23   | Z207402000 | CAJA SOLDADA CLINIC LINE     | WELDED BOX CLINIC LINE      |       |         |         |         |         | 1            | 1                  |       |
|      | Q162040000 | TUERCA EXAGONAL M6           | HEXAGONAL NUT M6            | 8     | 8       | 8       | 8       | 8       | 8            | 8                  |       |
|      | Q302022000 | ARANDELA 16X6X1.2 A.304      | WASHER 16X6X1.2 A.304       | 8     | 8       | 8       | 8       | 8       | 8            | 8                  |       |
|      | Q262040000 | ARANDELA GROW. A6 A.304      | WASHER GROW. A6 A.304       | 8     | 8       | 8       | 8       | 8       | 8            | 8                  |       |
|      | Q152018000 | PERNO M6x10                  | BOLT M6x10                  |       |         |         |         | 4       | 1            | 1                  |       |
| 24   | Z202904000 | PANEL POSTERIOR ALU.FI-30    | ALU.FI-30 REAR PANEL        | 1     | 1       | 1       | 1       | 1       | 1            | 1                  |       |
|      | Q152004000 | TORNIL, APLASTADO M5x13 A304 | FLAT HEADED BOLT M5x13 A304 | 4     | 4       | 4       | 4       | 4       | 4            | 4                  |       |
|      |            |                              |                             |       |         |         |         |         |              |                    |       |
|      |            |                              |                             |       |         |         |         |         |              |                    |       |
|      |            |                              |                             |       |         |         |         |         |              |                    |       |
|      |            |                              |                             |       |         |         |         |         |              |                    |       |
|      |            |                              |                             |       |         |         |         |         |              |                    |       |
|      |            |                              |                             |       |         |         |         |         |              |                    |       |
|      |            |                              |                             |       |         |         |         |         |              |                    |       |
|      |            |                              |                             |       |         |         |         |         |              |                    |       |
|      |            |                              |                             |       |         |         |         |         |              |                    |       |
|      |            |                              |                             |       |         |         |         |         |              |                    |       |
|      |            |                              |                             |       |         |         |         |         |              |                    |       |
|      |            |                              |                             |       |         |         |         |         |              |                    |       |
|      |            |                              |                             |       |         |         |         |         |              |                    |       |
|      |            |                              |                             |       |         |         |         |         |              |                    |       |
|      |            |                              |                             |       |         |         |         |         |              |                    |       |



ITEM MARCADO EN COLOR = REPUESTO RECOMENDADO  
 COLOURED ITEM = RECOMMENDED SPARE PART

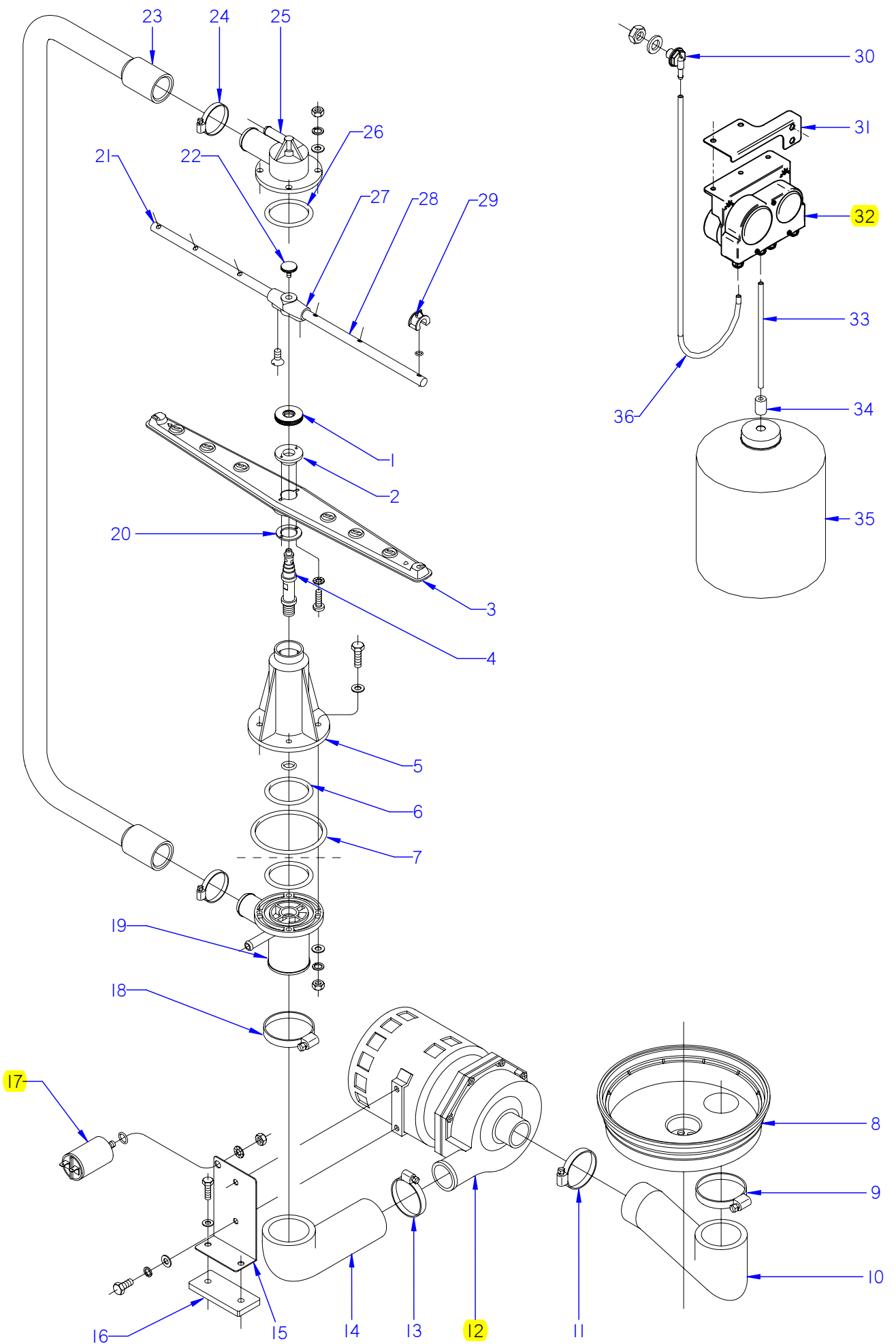
|                          |                             |                         |                                      |                    |   |
|--------------------------|-----------------------------|-------------------------|--------------------------------------|--------------------|---|
| N plano<br><b>C-1830</b> | Firma<br><i>[Signature]</i> | Fecha<br><b>2007-06</b> | Aparato<br><b>LAVAVAJILLAS FI-48</b> | Lamina<br><b>2</b> | Fagor Industrial S. Coop. <b>FAGOR</b><br>Omate |
|--------------------------|-----------------------------|-------------------------|--------------------------------------|--------------------|---|

PUERTA

| MOD. |                   | LAVAVAJILLAS DE APERTURA FRONTAL   |                                  | ZONA  | PUERTA  |         |         |         |              |                 | C-1830               |
|------|-------------------|------------------------------------|----------------------------------|-------|---------|---------|---------|---------|--------------|-----------------|----------------------|
| ITEM | CODIGO            | DENOMINACION                       | TEXTO                            | FI-48 | FI-48 B | FI-48 C | FI-48 D | FI-48 W | FI-48 B-BTUK | FI-48 HY CLINIC | NOTAS                |
|      | <b>1200005030</b> | <b>KIT PUERTA LAVAJILLAS FI 64</b> | <b>DOOR KIT FI 64 DISHWASHER</b> | 1     | 1       | 1       | 1       |         |              |                 |                      |
| 1    | Z200545000        | CONTRAPUERTA SOLDADA               | WELDED COUNTERDOOR               | 1     | 1       | 1       | 1       | 1       | 1            | 1               | ELIMINADO 13.06.08   |
| 1    | Z200556000        | CONTRAPUERTA SOLDADA               | WELDED COUNTERDOOR               | 1     | 1       | 1       | 1       | 1       | 1            | 1               | INTRODUCIDO 13.06.08 |
|      | Q412000000        | REMACHE TUBULAR 4 x 8              | TUBULAR RIVET 4 x 8              | 4     | 4       | 4       | 4       | 4       | 4            | 4               |                      |
| 2    | Z200551000        | ASA PUERTA                         | DOOR HANDLE                      | 1     | 1       | 1       | 1       | 1       | 1            | 1               |                      |
| 3    | Z218005000        | PUERTA SOLDADA                     | WELDED DOOR                      | 1     | 1       | 1       | 1       | 1       | 1            | 1               |                      |
| 4    | Z200506000        | IMAN                               | MAGNET                           | 1     | 1       | 1       | 1       | 1       | 1            | 1               |                      |
| 5    | Z200507000        | PROTECTOR IMAN                     | MAGNET PROTECTOR                 | 1     | 1       | 1       | 1       | 1       | 1            | 1               |                      |
| 6    | Z400514000        | BISAGRA IZQUIERDA T-C.             | LEFT HINGE T-C.                  | 1     | 1       | 1       | 1       | 1       | 1            | 1               |                      |
|      | Q012042000        | TORNIL. EXAGONAL M6X15 A.304       | HEXAGONAL BOLT M6X15 A.304       | 2     | 2       | 2       | 2       | 2       | 2            | 2               |                      |
|      | Q232040000        | ARANDELA A6                        | WASHER A6                        | 2     | 2       | 2       | 2       | 2       | 2            | 2               |                      |
|      | Q262040000        | ARANDELA GROW. A6 A.304            | WASHER GROW. A6 A.304            | 2     | 2       | 2       | 2       | 2       | 2            | 2               |                      |
|      | Q162040000        | TUERCA EXAGONAL M6                 | HEXAGONAL NUT M6                 | 1     | 1       | 1       | 1       | 1       | 1            | 1               |                      |
| S/Nº | Z400515000        | BISAGRA DERECHA T-C.               | RIGHT HINGE T-C.                 | 1     | 1       | 1       | 1       | 1       | 1            | 1               |                      |
|      | Q012042000        | TORNIL. EXAGONAL M6X15 A.304       | HEXAGONAL BOLT M6X15 A.304       | 2     | 2       | 2       | 2       | 2       | 2            | 2               |                      |
|      | Q232040000        | ARANDELA A6                        | WASHER A6                        | 2     | 2       | 2       | 2       | 2       | 2            | 2               |                      |
|      | Q262040000        | ARANDELA GROW. A6 A.304            | WASHER GROW. A6 A.304            | 2     | 2       | 2       | 2       | 2       | 2            | 2               |                      |
|      | Q162040000        | TUERCA EXAGONAL M6                 | HEXAGONAL NUT M6                 | 1     | 1       | 1       | 1       | 1       | 1            | 1               |                      |
| 7    | Z400516000        | EJE PUERTA                         | DOOR SHAFT                       | 2     | 2       | 2       | 2       | 2       | 2            | 2               |                      |
| 8    | Z200524000        | MARCO PUERTA                       | DOOR FRAME                       | 2     | 2       | 2       | 2       | 2       | 2            | 2               |                      |
|      | Q032041000        | TORNILLO ALOMADO M6X10             | CURVED SCREW M6x10               | 2     | 2       | 2       | 2       | 2       | 2            | 2               |                      |
|      | Q308002000        | ARANDELA DUBO A6 NYLON             | WASHER DUBO A6 NYLON             | 2     | 2       | 2       | 2       | 2       | 2            | 2               |                      |
| 9    | Z200521000        | VARILLA TENSOR                     | TENSIONING ROD                   | 1     | 1       | 1       | 1       | 1       | 1            | 1               | ELIMINADO 13.06.08   |
| 9    | Z200555000        | VARILLA TENSOR                     | TENSIONING ROD                   | 1     | 1       | 1       | 1       | 1       | 1            | 1               | INTRODUCIDO 13.06.08 |
| 10   | Z200310000        | SOPORTE TENSOR                     | TENSOR SUPPORT                   | 2     | 2       | 2       | 2       | 2       | 2            | 2               |                      |
| 11   | Z200522000        | TENSOR PUERTA                      | DOOR TENSOR                      | 2     | 2       | 2       | 2       | 2       | 2            | 2               |                      |
| 12   | Q222012000        | TUERCA AUTOB. M6                   | SELF-LOCK NUT M6                 | 2     | 2       | 2       | 2       | 2       | 2            | 2               |                      |
| 13   | Q162030000        | TUERCA EXAGONAL M5                 | HEXAGONAL NUT M5                 | 4     | 4       | 4       | 4       | 4       | 4            | 4               |                      |
|      | Q152004000        | TORNIL, APLASTADO M5x13 A304       | FLAT HEADED BOLT M5x13 A304      | 4     | 4       | 4       | 4       | 4       | 4            | 4               |                      |
|      | Q232030000        | ARANDELA A5                        | WASHER A5                        | 4     | 4       | 4       | 4       | 4       | 4            | 4               |                      |
|      | Q262030000        | ARANDELA GROW. A5 A.304            | WASHER GROW. A5 A.304            | 4     | 4       | 4       | 4       | 4       | 4            | 4               |                      |

| MOD.                             |            |                           |                       |        |         |         |         |         |              |                 |        |
|----------------------------------|------------|---------------------------|-----------------------|--------|---------|---------|---------|---------|--------------|-----------------|--------|
| LAVAVAJILLAS DE APERTURA FRONTAL |            |                           | ZONA                  | PUERTA |         |         |         |         |              |                 | C-1830 |
| ITEM                             | CODIGO     | DENOMINACION              | TEXTO                 | FI-48  | FI-48 B | FI-48 C | FI-48 D | FI-48 W | FI-48 B-BTUK | FI-48 HY CLINIC | NOTAS  |
| 14                               | Q222012000 | TUERCA AUTOB. M6          | SELF-LOCK NUT M6      | 4      | 4       | 4       | 4       | 4       | 4            | 4               |        |
|                                  | Q232030000 | ARANDELA A5               | WASHER A5             | 4      | 4       | 4       | 4       | 4       | 4            | 4               |        |
|                                  | Q262030000 | ARANDELA GROW. A5 A.304   | WASHER GROW. A5 A.304 | 4      | 4       | 4       | 4       | 4       | 4            | 4               |        |
|                                  | Q412000000 | REMACHE TUBULAR 4 x 8     | TUBULAR RIVET 4 x 8   | 4      | 4       | 4       | 4       | 4       | 4            | 4               |        |
| 15                               | Z200607000 | CONJUNTO CIERRE PUER.T-CO | LOCK UNIT DOOR T-CO   | 2      | 2       | 2       | 2       | 2       | 2            | 2               |        |
| 16                               | Z200601000 | ENGANCHE CIERRE           | LOCK LATCH            | 2      | 2       | 2       | 2       | 2       | 2            | 2               |        |
|                                  | Q232030000 | ARANDELA A5               | WASHER A5             | 2      | 2       | 2       | 2       | 2       | 2            | 2               |        |
|                                  |            |                           |                       |        |         |         |         |         |              |                 |        |
|                                  |            |                           |                       |        |         |         |         |         |              |                 |        |
|                                  |            |                           |                       |        |         |         |         |         |              |                 |        |
|                                  |            |                           |                       |        |         |         |         |         |              |                 |        |
|                                  |            |                           |                       |        |         |         |         |         |              |                 |        |
|                                  |            |                           |                       |        |         |         |         |         |              |                 |        |
|                                  |            |                           |                       |        |         |         |         |         |              |                 |        |
|                                  |            |                           |                       |        |         |         |         |         |              |                 |        |
|                                  |            |                           |                       |        |         |         |         |         |              |                 |        |
|                                  |            |                           |                       |        |         |         |         |         |              |                 |        |
|                                  |            |                           |                       |        |         |         |         |         |              |                 |        |
|                                  |            |                           |                       |        |         |         |         |         |              |                 |        |
|                                  |            |                           |                       |        |         |         |         |         |              |                 |        |
|                                  |            |                           |                       |        |         |         |         |         |              |                 |        |
|                                  |            |                           |                       |        |         |         |         |         |              |                 |        |
|                                  |            |                           |                       |        |         |         |         |         |              |                 |        |
|                                  |            |                           |                       |        |         |         |         |         |              |                 |        |
|                                  |            |                           |                       |        |         |         |         |         |              |                 |        |
|                                  |            |                           |                       |        |         |         |         |         |              |                 |        |
|                                  |            |                           |                       |        |         |         |         |         |              |                 |        |
|                                  |            |                           |                       |        |         |         |         |         |              |                 |        |
|                                  |            |                           |                       |        |         |         |         |         |              |                 |        |





ITEM MARCADO EN COLOR = REPUESTO RECOMENDADO  
 COLOURED ITEM = RECOMMENDED SPARE PART

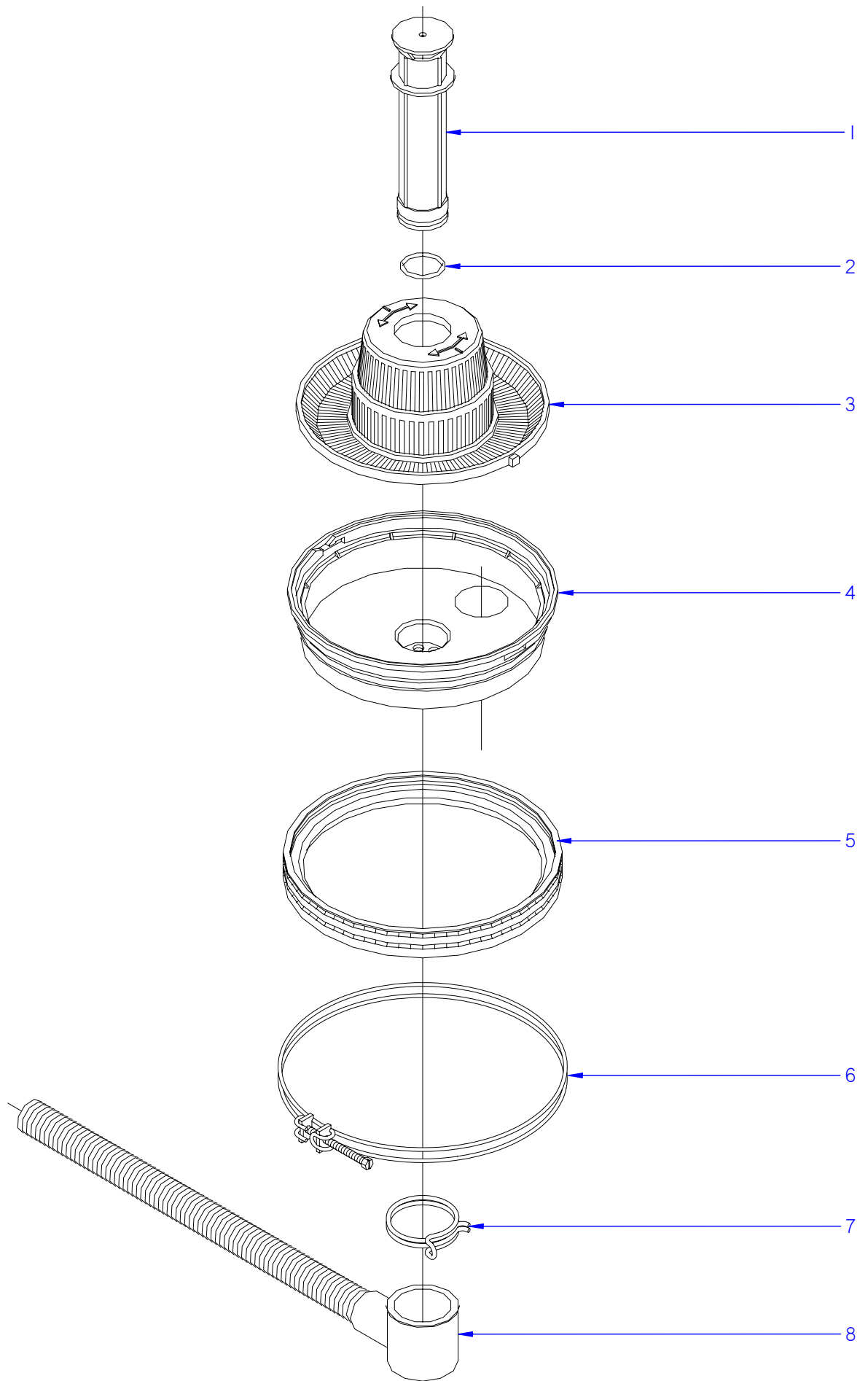
|         |                    |         |                    |                           |        |                                       |
|---------|--------------------|---------|--------------------|---------------------------|--------|---------------------------------------|
| N plano | Firma              | Fecha   | Aparato            | PARTE FUNCIONAL DE LAVADO | Lamina | Fagor Industrial S.Coop. <b>FAGOR</b> |
| C-1831  | <i>[Signature]</i> | 2007-06 | LAVAVAJILLAS FI-48 |                           | 3      | Oñate                                 |

| MOD. |            | LAVAVAJILLAS DE APERTURA FRONTAL |                            | ZONA  | PARTE FUNCIONAL LAVADO |         |         |         |              |                 |                        | C-1831 |
|------|------------|----------------------------------|----------------------------|-------|------------------------|---------|---------|---------|--------------|-----------------|------------------------|--------|
| ITEM | CODIGO     | DENOMINACION                     | TEXTO                      | FI-48 | FI-48 B                | FI-48 C | FI-48 D | FI-48 W | FI-48 B-BTUK | FI-48 HY CLINIC | NOTAS                  |        |
| 1    | Z200705000 | TUERCA ESPECIAL M.14X1           | SPECIAL NUT M.14X1         | 2     | 2                      | 2       | 2       | 2       | 2            | 2               |                        |        |
| 2    | Z650704000 | ENGANCHE DISTRIBUIDOR            | DISTRIBUTOR CATCH          | 2     | 2                      | 2       | 2       | 2       | 2            | 2               | ELIMINADO 11.02.2013   |        |
| 2    | 12045103   | ENGANCHE DISTRIBUIDOR            | DISTRIBUTOR CATCH          | 2     | 2                      | 2       | 2       | 2       | 2            | 2               | INTRODUCIDO 11.02.2013 |        |
| 3    | Z650716000 | DISTRIBUIDOR MONTADO             | DISTRIBUTOR MOUNTED        | 2     | 2                      | 2       | 2       | 2       | 2            | 2               |                        |        |
| 4    | Z200704000 | EJE CENTRAL                      | CENTRAL SHAFT              | 2     | 2                      | 2       | 2       | 2       | 2            | 2               |                        |        |
| 5    | Z200701000 | SOPORTE DISTRIBUID. INFERIOR     | LOWER DISTRIBUTOR SUPPORT  | 1     | 1                      | 1       | 1       | 1       | 1            | 1               |                        |        |
|      | Q307050000 | JUNTA TOR.13.94X19.18X2.6        | O-RING 13.94X19.18X2.6     | 1     | 1                      | 1       | 1       | 1       | 1            | 1               |                        |        |
|      | Q012046000 | TORNIL. EXAGONAL M6X40 A.304     | HEXAGONAL BOLT M6X40 A.304 | 4     | 4                      | 4       | 4       | 4       | 4            | 4               |                        |        |
|      | Q306050000 | ARANDELA Ø6X12X1.5               | WASHER Ø6X12X1.5           | 4     | 4                      | 4       | 4       | 4       | 4            | 4               |                        |        |
| 6    | Q307052000 | JUNTA TOR.50.17X60.83X5.3        | O-RING 50.17X60.83X5.3     | 2     | 2                      | 2       | 2       | 2       | 2            | 2               |                        |        |
| 7    | Q307049000 | JUNTA TOR.85.09X95.75X5.3        | O-RING 85.09X95.75X5.3     | 1     | 1                      | 1       | 1       | 1       | 1            | 1               |                        |        |
| 8    | Z200906000 | CUBETA                           | TRAY                       | 1     | 1                      | 1       | 1       | 1       | 1            | 1               |                        |        |
| 9    | Q881324000 | ABRAZADERA 50-70L                | CLAMP 50-70L               | 1     | 1                      | 1       | 1       | 1       | 1            | 1               |                        |        |
| 10   | Z200904000 | CODO ASPIRACION 1003018          | EXTRACTOR ELBOW 1003018    | 1     | 1                      | 1       | 1       | 1       | 1            | 1               |                        |        |
| 11   | Q881307000 | ABRAZADERA 40-60                 | CLAMP 40-60                | 1     | 1                      | 1       | 1       | 1       | 1            | 1               |                        |        |
| 12   | Z201011000 | BOMBA DE LAVADO                  | WASH PUMP                  | 1     | 1                      | 1       | 1       |         | 1            | 1               |                        |        |
|      | Z201082000 | TURBINA PARA 50 HZ.88 MM         | TURBINE 50 HZ.88 MM        | 1     | 1                      | 1       | 1       |         | 1            | 1               |                        |        |
|      | Z201081000 | CONJUNTO JUNTA Y RETEN           | JOINT BOARD AND SEAL       | 1     | 1                      | 1       | 1       |         | 1            | 1               |                        |        |
| 12   | Z203511000 | BOMBA DE LAVADO 60 HZ.           | WASH PUMP 60 Hz.           | 1     | 1                      | 1       | 1       | 1       | 1            | 1               |                        |        |
|      | Z201083000 | TURBINA 60 HZ.78 MM              | TURBINE 60 HZ.78 MM        | 1     | 1                      | 1       | 1       | 1       | 1            | 1               |                        |        |
|      | Z201081000 | CONJUNTO JUNTA Y RETEN           | JOINT BOARD AND SEAL       | 1     | 1                      | 1       | 1       | 1       | 1            | 1               |                        |        |
|      | Z203601000 | RESISTENCIA TANQUE               | TANK RESISTOR              | 1     | 1                      | 1       | 1       | 1       | 1            | 1               |                        |        |
| 13   | Q881307000 | ABRAZADERA 40-60                 | CLAMP 40-60                | 1     | 1                      | 1       | 1       | 1       | 1            | 1               |                        |        |
| 14   | Z200905000 | CODO IMPULSION 1003017           | IMPULSE ELBOW 1003017      | 1     | 1                      | 1       | 1       | 1       | 1            | 1               |                        |        |
| 15   | Z201002000 | SOPORTE MOTOBO.F-3-4-5-6         | MOTORPUMP SUPPORT F-3-4-5- | 1     | 1                      | 1       | 1       | 1       | 1            | 1               |                        |        |
| 16   | Z201003000 | BASE BOMBA LAVADO 1003016        | WASH PUMP BASE 1003016     | 1     | 1                      | 1       | 1       | 1       | 1            | 1               |                        |        |
|      | Q012033000 | TORNIL. EXAGONAL M5X20 A.304     | HEXAGONAL BOLT M5X20 A.304 | 2     | 2                      | 2       | 2       | 2       | 2            | 2               |                        |        |
| 17   | V321300000 | CONDENSADOR 10 M.F.              | CONDENSER 10 M.F.          | 1     | 1                      | 1       | 1       | 1       | 1            | 1               |                        |        |
|      | Q307048000 | JUNTA TORICA 9.12X16.18X3.53     | O-RING 9.12x16.18x3.53     | 1     | 1                      | 1       | 1       | 1       | 1            | 1               |                        |        |
|      | Q162050000 | TUERCA EXAGONAL M8x1 INOX.       | HEXAGONAL NUT M8x1 INOX.   | 1     | 1                      | 1       | 1       | 1       | 1            | 1               |                        |        |
| 18   | Q881324000 | ABRAZADERA 50-70L                | CLAMP 50-70L               | 1     | 1                      | 1       | 1       | 1       | 1            | 1               |                        |        |

| MOD. |            | LAVAVAJILLAS DE APERTURA FRONTAL |                            | ZONA  | PARTE FUNCIONAL LAVADO |         |         |         |              |                 |                      | C-1831 |
|------|------------|----------------------------------|----------------------------|-------|------------------------|---------|---------|---------|--------------|-----------------|----------------------|--------|
| ITEM | CODIGO     | DENOMINACION                     | TEXTO                      | FI-48 | FI-48 B                | FI-48 C | FI-48 D | FI-48 W | FI-48 B-BTUK | FI-48 HY CLINIC | NOTAS                |        |
| 19   | Z200703000 | PASAMUROS                        | BUSHING                    | 1     | 1                      | 1       | 1       | 1       | 1            | 1               |                      |        |
|      | Q232040000 | ARANDELA A6                      | WASHER A6                  | 4     | 4                      | 4       | 4       | 4       | 4            | 4               |                      |        |
|      | Q262040000 | ARANDELA GROW. A6 A.304          | WASHER GROW. A6 A.304      | 4     | 4                      | 4       | 4       | 4       | 4            | 4               |                      |        |
|      | Q162040000 | TUERCA EXAGONAL M6               | HEXAGONAL NUT M6           | 4     | 4                      | 4       | 4       | 4       | 4            | 4               |                      |        |
| 20   | Z650711000 | AMARRE ENGANCHE DISTRIBUID.      | DISTRIBUTOR HOOK FASTENING | 2     | 2                      | 2       | 2       | 2       | 2            | 2               |                      |        |
|      | Q152015000 | TORNILLO ALOMADO M3X6            | CURVED SCREW M3X6          | 4     | 4                      | 4       | 4       | 4       | 4            | 4               |                      |        |
|      | Q242010000 | ARANDELA ABANICO A.3 A304        | FAN WASHER A3 A304         | 4     | 4                      | 4       | 4       | 4       | 4            | 4               |                      |        |
| 21   | Z201902000 | RAMA DE ACLARADO IZQUIERDA       | LEFT RINSE BRANCH          | 2     | 2                      | 2       | 2       | 2       | 2            | 2               |                      |        |
| 22   | Q152016000 | TORNILLO ESPECIAL M.5X0.8        | SPECIAL BOLT M.5X0.8       | 2     | 2                      | 2       | 2       | 2       | 2            | 2               |                      |        |
| 23   | Z200706000 | ARBOL DE LAVADO                  | WASH CAM                   | 1     | 1                      | 1       | 1       | 1       | 1            | 1               |                      |        |
| 24   | Q881305000 | ABRAZADERA 25-40                 | CLAMP 25-40                | 2     | 2                      | 2       | 2       | 2       | 2            | 2               |                      |        |
| 25   | Z200707000 | SOPORTE DISTRIBUIDOR SUPER.      | UPPER DISTRIBUTION SUPPORT | 1     | 1                      | 1       | 1       | 1       | 1            | 1               |                      |        |
|      | Q232040000 | ARANDELA A6                      | WASHER A6                  | 4     | 4                      | 4       | 4       | 4       | 4            | 4               |                      |        |
|      | Q262040000 | ARANDELA GROW. A6 A.304          | WASHER GROW. A6 A.304      | 4     | 4                      | 4       | 4       | 4       | 4            | 4               |                      |        |
|      | Q162040000 | TUERCA EXAGONAL M6               | HEXAGONAL NUT M6           | 4     | 4                      | 4       | 4       | 4       | 4            | 4               |                      |        |
| 26   | Q307052000 | JUNTA TOR.50.17X60.83X5.3        | O-RING 50.17X60.83X5.3     | 1     | 1                      | 1       | 1       | 1       | 1            | 1               |                      |        |
| 27   | Z201903000 | SOPORTE RAMAS ACLARADO           | RINSE BRANCH SUPPORT       | 2     | 2                      | 2       | 2       | 2       | 2            | 2               |                      |        |
|      | Q042021000 | TORN. AVELLANADO M4X10 A.304     | HEXAGONAL COUNTERSUNK M4   | 4     | 4                      | 4       | 4       | 4       | 4            | 4               |                      |        |
| 28   | Z201901000 | RAMA DE ACLARADO DERECHA         | RIGHT RINSE BRANCH         | 2     | 2                      | 2       | 2       | 2       | 2            | 2               |                      |        |
| 29   | Z211903000 | TOBERA ACLARADO                  | RINSE NOZZLE               | 12    | 12                     | 12      | 12      | 12      | 12           | 12              |                      |        |
| 30   | Z230902000 | PASAMUROS DETERGENTE             | DETERGENT WALL BUSHING     | -     | -                      | 1       | -       | 1       | 1            | 1               | ELIMINADO 17.07.09   |        |
| 30   | Z230905000 | PASAMUROS DETERGENTE INOX.       | DETERGENT WALL BUSHING     | -     | -                      | 1       | -       | 1       | 1            | 1               | INTRODUCIDO 17.07.09 |        |
| 30   | Z208927000 | PASAMUROS DETERGENTE INOX        | DETERGENT WALL BUSHING     | -     | -                      | 1       | -       | 1       | 1            | 1               | INTRODUCIDO 30.11.10 |        |
|      | Q306024000 | JUNTA Ø18X12.5X1.5               | SEAL Ø18X12.5X1.5          | -     | -                      | 1       | -       | 1       | 1            | 1               |                      |        |
|      | Q162070000 | TUERCA EXAGONAL M12              | HEXAGONAL NUT M12          | -     | -                      | 1       | -       | 1       | 1            | 1               |                      |        |
| 31   | Z208434000 | SOPORTE DOSIFICADOR W            | DISPENSER SUPPORT W        | -     | -                      | 1       | -       | 1       | 1            | 1               |                      |        |
|      | Q411304000 | REMACHE AVIBULB Ø4,8             | AVIBULB RIVET Ø4.8         | -     | -                      | 2       | -       | 2       | 2            | 2               |                      |        |
|      | Q221342000 | REMACHE EXAGONAL M5              | HEXAGONAL RIVET M5         | -     | -                      | 2       | -       | 2       | 2            | 2               |                      |        |
|      | Q012031000 | TORNIL. EXAGONAL M5X10 A.304     | HEX BOLT M5X10 A.304       | -     | -                      | 2       | -       | 2       | 2            | 2               |                      |        |
|      | Q232030000 | ARANDELA A5                      | WASHER A5                  | -     | -                      | 2       | -       | 2       | 2            | 2               |                      |        |
|      | Q162030000 | TUERCA EXAGONAL M5               | HEXAGONAL NUT M5           | -     | -                      | 2       | -       | 2       | 2            | 2               |                      |        |

|      |                                  |      |                        |        |
|------|----------------------------------|------|------------------------|--------|
| MOD. | LAVAVAJILLAS DE APERTURA FRONTAL | ZONA | PARTE FUNCIONAL LAVADO | C-1831 |
|------|----------------------------------|------|------------------------|--------|

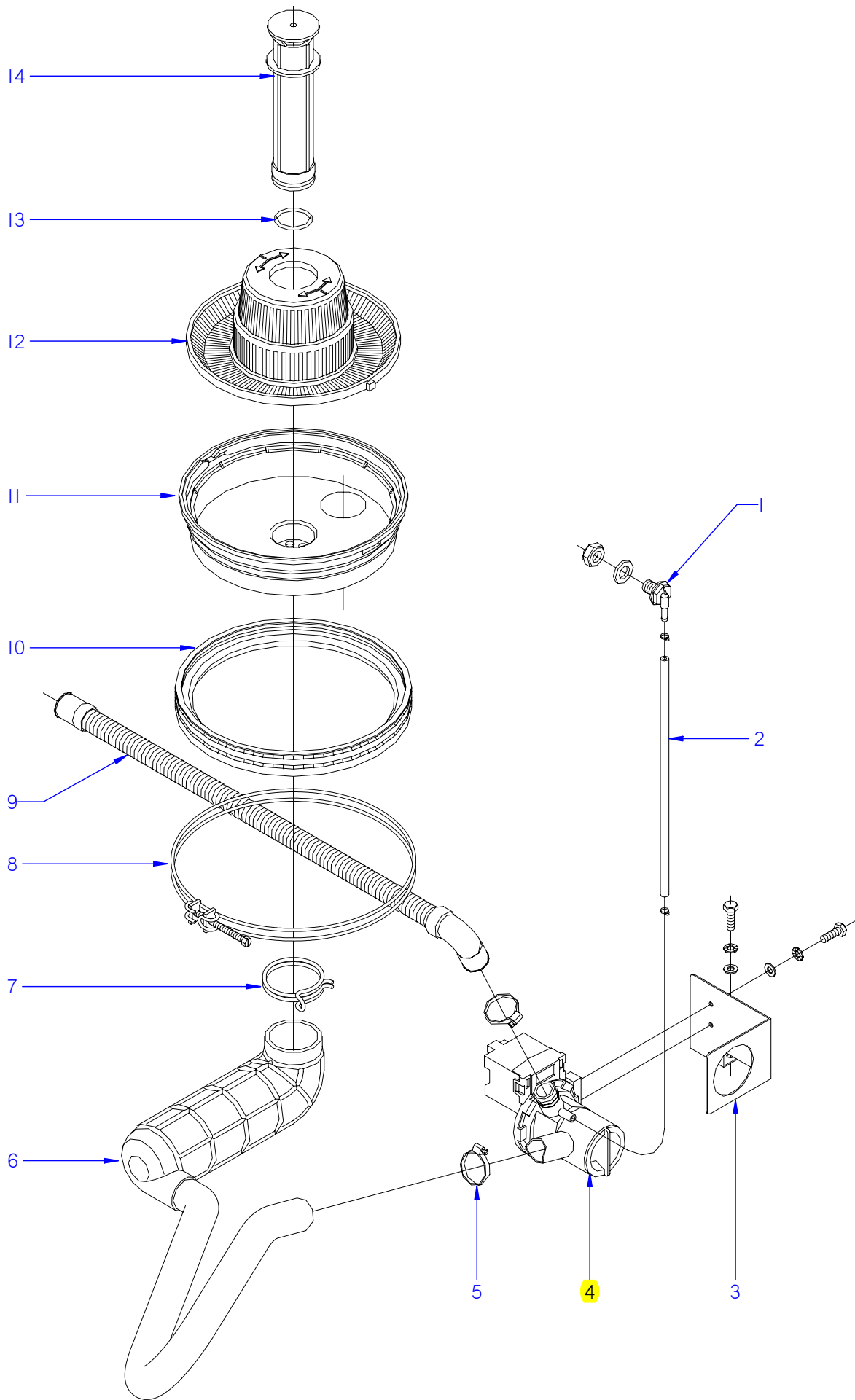
| ITEM | CODIGO     | DENOMINACION                 | TEXTO                        | FI-48 | FI-48 B | FI-48C | FI-48 D | FI-48 W | FI-48 B-BTUK | FI-48 HY CLINIC | NOTAS                |
|------|------------|------------------------------|------------------------------|-------|---------|--------|---------|---------|--------------|-----------------|----------------------|
| 32   | Z208903000 | DOSIFIC. DGTE REGULABLE G300 | DETERGENT DISP. ADJUST. G300 | _     | _       | 1      | _       | 1       | _            | _               |                      |
| 32   | Z208903000 | DOSIFIC. DGTE REGULABLE G300 | DETERGENT DISP. ADJUST. G300 | _     | _       | _      | _       | _       | 1            | 1               | ELIMINADO 01.02.08   |
| 32   | Z208915000 | DOSIFIC. DGTE ABRILLANTADOR  | DETERGENT DISP. POLISHER     | _     | _       | _      | _       | _       | 1            | 1               | INTRODUCIDO 01.02.08 |
| 33   | Z448614000 | CONDUCTO ASPIRACIÓN          | EXTRACTOR PIPE               | _     | _       | 1      | _       | 1       | 1            | 1               |                      |
| 33   | Z448618000 | CONDUCTO ABRILLANTADOR       | CROCKERY POLISHER PIPE       | _     | _       | _      | _       | _       | 1            | 1               | INTRODUCIDO 31.07.07 |
| S/Nº | Z448616000 | PEGATINA TOMA DETERGENTE     | DETERGENT INTAKE LABEL       | _     | _       | 1      | _       | 1       | 1            | 1               |                      |
| 34   | Z701152000 | PESO FILTRO                  | FILTER WEIGHT                | _     | _       | 1      | _       | 1       | 1            | 1               |                      |
| 35   | -          | GARRAFA DETERGENTE           | DETERGENT CONTAINER          | _     | _       | 1      | _       | 1       | 1            | 1               |                      |
| 36   | 3699300000 | CONDUCTO DOSIFICAFOR TRANS.  | CONDUIT                      | _     | _       | 1      | _       | 1       | 1            | 1               |                      |
| S/Nº | Z208904000 | CABLEADO DOSIFICADOR DTGTE   | DETERGENT DISP. WIRING       | _     | _       | 1      | _       | 1       | 1            | 1               | ELIMINADO 01.02.08   |
| S/Nº | Z208904000 | CABLEADO DOSIFICADOR DTGTE   | DETERGENT DISP. WIRING       | _     | _       | 1      | _       | 1       | _            | _               |                      |
|      |            |                              |                              |       |         |        |         |         |              |                 |                      |
|      |            |                              |                              |       |         |        |         |         |              |                 |                      |
|      |            |                              |                              |       |         |        |         |         |              |                 |                      |
|      |            |                              |                              |       |         |        |         |         |              |                 |                      |
|      |            |                              |                              |       |         |        |         |         |              |                 |                      |
|      |            |                              |                              |       |         |        |         |         |              |                 |                      |
|      |            |                              |                              |       |         |        |         |         |              |                 |                      |
|      |            |                              |                              |       |         |        |         |         |              |                 |                      |
|      |            |                              |                              |       |         |        |         |         |              |                 |                      |
|      |            |                              |                              |       |         |        |         |         |              |                 |                      |
|      |            |                              |                              |       |         |        |         |         |              |                 |                      |
|      |            |                              |                              |       |         |        |         |         |              |                 |                      |
|      |            |                              |                              |       |         |        |         |         |              |                 |                      |
|      |            |                              |                              |       |         |        |         |         |              |                 |                      |
|      |            |                              |                              |       |         |        |         |         |              |                 |                      |
|      |            |                              |                              |       |         |        |         |         |              |                 |                      |
|      |            |                              |                              |       |         |        |         |         |              |                 |                      |
|      |            |                              |                              |       |         |        |         |         |              |                 |                      |



ITEM MARCADO EN COLOR = REPUESTO RECOMENDADO  
 COLOURED ITEM = RECOMMENDED SPARE PART

|         |                    |         |                             |                         |        |                                       |
|---------|--------------------|---------|-----------------------------|-------------------------|--------|---------------------------------------|
| N plano | Firma              | Fecha   | Aparato                     | PARTE FUNCIONAL DESAGUE | Lamina | Fagor Industrial S.Coop. <b>FAGOR</b> |
| C-1832  | <i>(Signature)</i> | 2007-06 | LAVAVAJILLAS FI-48; FI-48 D | 4                       | Oñate  |                                       |

| ITEM | CODIGO     | DENOMINACION              | TEXTO                  | FI-48 | FI-48 D |  |  |  |  |  |  | NOTAS |
|------|------------|---------------------------|------------------------|-------|---------|--|--|--|--|--|--|-------|
| 1    | Z200909000 | ALIVIADERO                | OVERFLOW               | 1     | 1       |  |  |  |  |  |  |       |
| 2    | Q307051000 | JUNTA TOR.36.17X41.41X2.6 | O-RING 36.17X41.41X2.6 | 1     | 1       |  |  |  |  |  |  |       |
| 3    | Z200922000 | CONJUNTO FILTRO AF.       | AF FILTER UNIT.        | 1     | 1       |  |  |  |  |  |  |       |
| 4    | Z200906000 | CUBETA                    | TRAY                   | 1     | 1       |  |  |  |  |  |  |       |
| 5    | Z200907000 | JUNTA CUBETA              | TRAY SEAL              | 1     | 1       |  |  |  |  |  |  |       |
| 6    | Z200908000 | ABRAZADERA CUBETA COMPL.  | COMPL. TRAY CLAMP      | 1     | 1       |  |  |  |  |  |  |       |
| 7    | Q901308000 | ABRAZAD. ELAST. 56-58.8   | ELAST. CLAMP 56-58.8   | 1     | 1       |  |  |  |  |  |  |       |
| 8    | Z200910000 | MANGUERA DESAGUE          | DRAINAGE HOSE          | 1     | 1       |  |  |  |  |  |  |       |
|      |            |                           |                        |       |         |  |  |  |  |  |  |       |
|      |            |                           |                        |       |         |  |  |  |  |  |  |       |
|      |            |                           |                        |       |         |  |  |  |  |  |  |       |
|      |            |                           |                        |       |         |  |  |  |  |  |  |       |
|      |            |                           |                        |       |         |  |  |  |  |  |  |       |
|      |            |                           |                        |       |         |  |  |  |  |  |  |       |
|      |            |                           |                        |       |         |  |  |  |  |  |  |       |
|      |            |                           |                        |       |         |  |  |  |  |  |  |       |
|      |            |                           |                        |       |         |  |  |  |  |  |  |       |
|      |            |                           |                        |       |         |  |  |  |  |  |  |       |
|      |            |                           |                        |       |         |  |  |  |  |  |  |       |
|      |            |                           |                        |       |         |  |  |  |  |  |  |       |
|      |            |                           |                        |       |         |  |  |  |  |  |  |       |
|      |            |                           |                        |       |         |  |  |  |  |  |  |       |
|      |            |                           |                        |       |         |  |  |  |  |  |  |       |

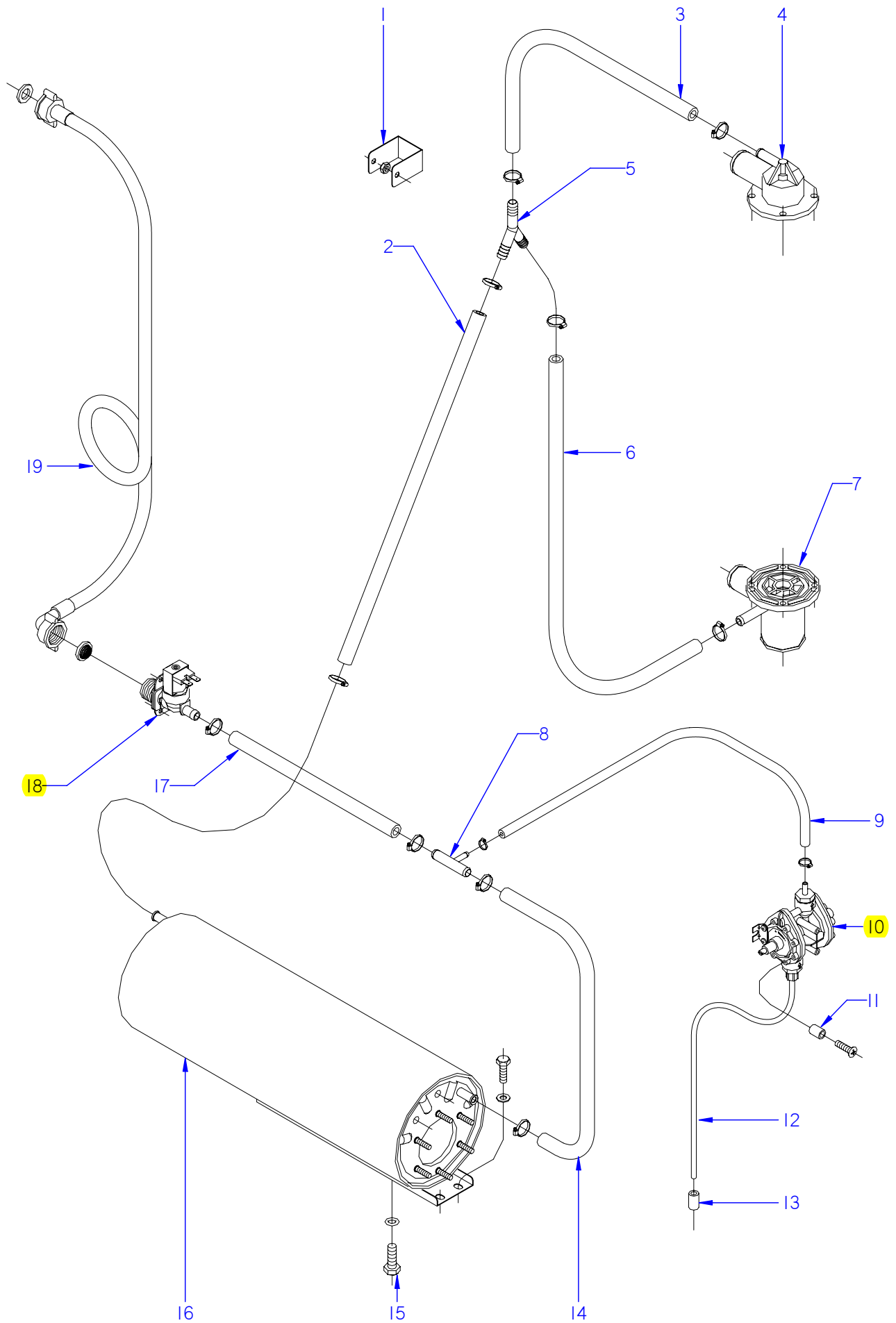


ITEM MARCADO EN COLOR = REPUESTO RECOMENDADO  
 COLOURED ITEM = RECOMMENDED SPARE PART

|         |                    |         |                                     |                         |        |                                       |
|---------|--------------------|---------|-------------------------------------|-------------------------|--------|---------------------------------------|
| N plano | Firma              | Fecha   | Aparato                             | PARTE FUNCIONAL DESAGUE | Lamina | Fagor Industrial S.Coop. <b>FAGOR</b> |
| C-1833  | <i>[Signature]</i> | 2007-06 | LAVAV. FI-48B; C; CLINIC; B-BTUK; W |                         | 5      | Oñate                                 |

| MOD. |            | LAVAVAJILLAS DE APERTURA FRONTAL |                         | ZONA    | PARTE FUNCIONAL DESAGÜE |         |              |                 |  | PLANO | C-1833                 |
|------|------------|----------------------------------|-------------------------|---------|-------------------------|---------|--------------|-----------------|--|-------|------------------------|
| ITEM | CODIGO     | DENOMINACION                     | TEXTO                   | FI-48 B | FI-48 C                 | FI-48 W | FI-48 B-BTUK | FI-48 HY CLINIC |  |       | NOTAS                  |
| 1    | Z230902000 | PASAMUROS DETERGENTE             | DETERGENT WALL BUSHING  | 1       | 1                       | 1       | 1            | 1               |  |       | ELIMINADO 17.07.09     |
| 1    | Z230905000 | PASAMUROS DETERGENTE INOX.       | DETERGENT WALL BUSHING  | 1       | 1                       | 1       | 1            | 1               |  |       | INTRODUCIDO 17.07.09   |
|      | Q306024000 | JUNTA Ø18X12.5X1.5               | SEAL 18X12.5X1.5        | 1       | 1                       | 1       | 1            | 1               |  |       | ELIMINADO 12.04.2013   |
|      | 12010191   | JUNTA 14X24X3                    | SEAL 14X24X3            | 1       | 1                       | 1       | 1            | 1               |  |       | INTRODUCIDO 12.04.2013 |
|      | Q162070000 | TUERCA EXAGONAL M12              | HEXAGONAL NUT M12       | 1       | 1                       | 1       | 1            | 1               |  |       |                        |
| 2    | 3702400000 | TUBO GOMA NEGRO Ø 8*4            | BLACK RUBBER PIPE Ø 8*4 | 1       | 1                       | 1       | 1            | 1               |  |       |                        |
|      | P102154000 | BRIDA ELASTICA TUBO              | ELASTIC PIPE FLANGE     | 2       | 2                       | 2       | 2            | 2               |  |       |                        |
| 3    | Z220904000 | SOPORTE BOMBA DESAGUE            | DRAINAGE PUMP SUPPORT   | 1       | 1                       | 1       | 1            | 1               |  |       |                        |
|      | Q012031000 | TORNIL. EXAGONAL M5X10 A.304     | HEX BOLT M5X10 A.304    | 4       | 4                       | 4       | 4            | 4               |  |       |                        |
|      | Q242030000 | ARANDELA ABANICO A5 A.304        | FAN WASHER A5 A.304     | 4       | 4                       | 4       | 4            | 4               |  |       |                        |
|      | Q232030000 | ARANDELA A5                      | WASHER A5               | 4       | 4                       | 4       | 4            | 4               |  |       |                        |
| 4    | Z220901000 | BOMBA DESAGUE 30W                | DRAINAGE PUMP 30W       | 1       | 1                       |         | 1            | 1               |  |       |                        |
| 4    | Z223501000 | BOMBA DESAGUE 30W 60HZ           | DRAINAGE PUMP 30W 60HZ  | 1       | 1                       | 1       | 1            | 1               |  |       |                        |
| 5    | Q881305000 | ABRAZADERA 25-40                 | CLAMP 25-40             | 2       | 2                       | 2       | 2            | 2               |  |       |                        |
| 6    | Z220902000 | ACUMULADOR 1503019               | ACCUMULATOR 1503019     | 1       | 1                       | 1       | 1            | 1               |  |       |                        |
| 7    | Q901308000 | ABRAZAD. ELAST. 56-58.8          | ELAST. CLAMP 56-58.8    | 1       | 1                       | 1       | 1            | 1               |  |       |                        |
| 8    | Z200908000 | ABRAZADERA CUBETA COMPL.         | COMPL. TRAY CLAMP       | 1       | 1                       | 1       | 1            | 1               |  |       |                        |
| 9    | Z220903000 | MANGUERA DESAGUE                 | DRAINAGE HOSE           | 1       | 1                       | 1       | 1            | 1               |  |       |                        |
| 10   | Z200907000 | JUNTA CUBETA                     | TRAY SEAL               | 1       | 1                       | 1       | 1            | 1               |  |       |                        |
| 11   | Z200906000 | CUBETA                           | TRAY                    | 1       | 1                       | 1       | 1            | 1               |  |       |                        |
| 12   | Z200922000 | CONJUNTO FILTRO AF.              | AF FILTER UNIT.         | 1       | 1                       | 1       | 1            | 1               |  |       |                        |
| 13   | Q307051000 | JUNTA TOR.36.17X41.41X2.6        | O-RING 36.17X41.41X2.6  | 1       | 1                       | 1       | 1            | 1               |  |       |                        |
| 14   | Z200909000 | ALIVIADERO                       | OVERFLOW                | 1       | 1                       | 1       | 1            | 1               |  |       | ELIMINADO 24.06.2013   |
| 14   | 12049258   | ALIVIADERO AF MODELO B           | OVERFLOW AF MOD. B      | 1       | 1                       | 1       | 1            | 1               |  |       | INTRODUCIDO 24.06.2013 |
|      |            |                                  |                         |         |                         |         |              |                 |  |       |                        |
|      |            |                                  |                         |         |                         |         |              |                 |  |       |                        |
|      |            |                                  |                         |         |                         |         |              |                 |  |       |                        |
|      |            |                                  |                         |         |                         |         |              |                 |  |       |                        |
|      |            |                                  |                         |         |                         |         |              |                 |  |       |                        |
|      |            |                                  |                         |         |                         |         |              |                 |  |       |                        |



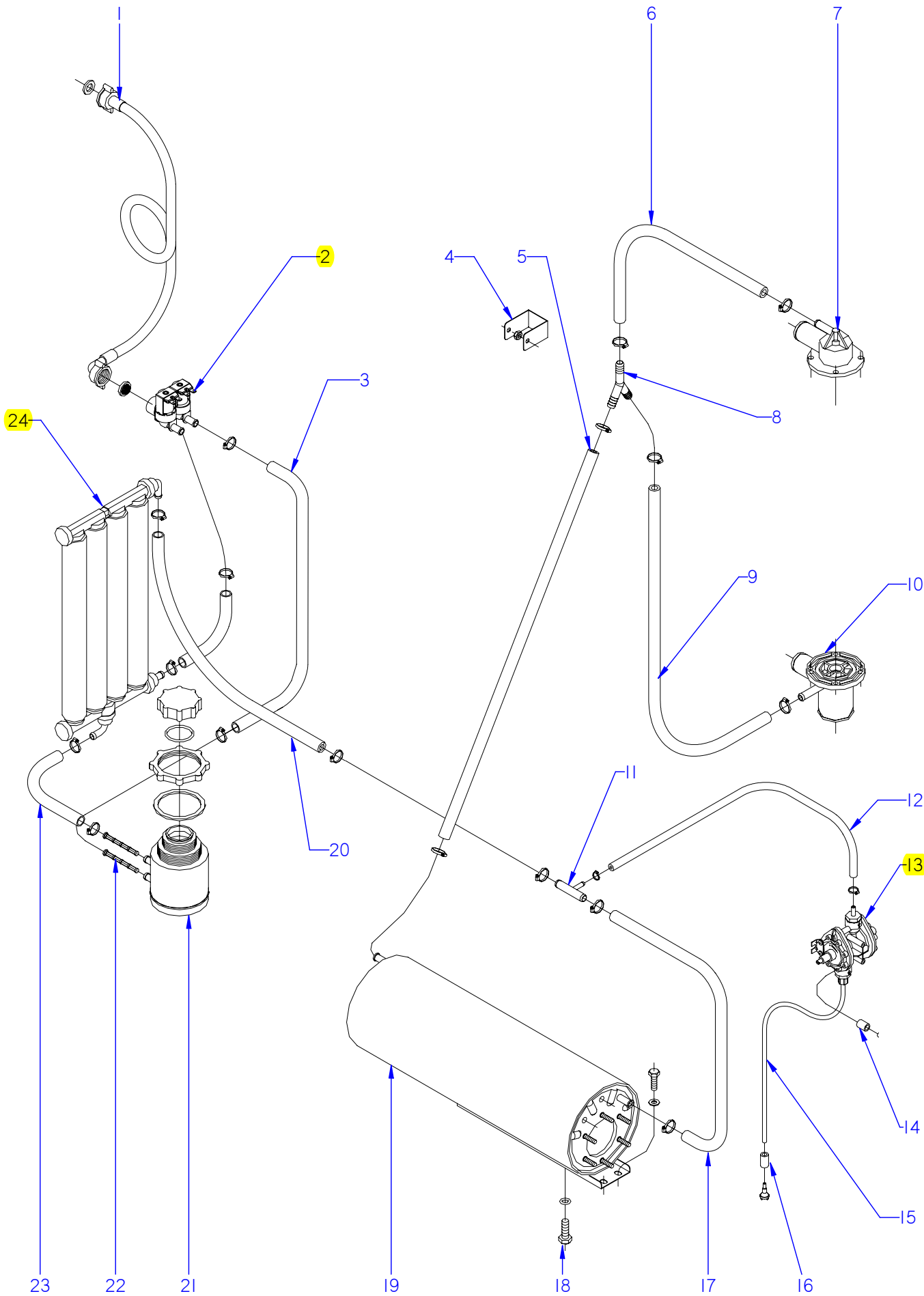


ITEM MARCADO EN COLOR = REPUESTO RECOMENDADO  
 COLOURED ITEM = RECOMMENDED SPARE PART

|         |                    |         |                             |                          |        |                                       |
|---------|--------------------|---------|-----------------------------|--------------------------|--------|---------------------------------------|
| N plano | Firma              | Fecha   | Aparato                     | PARTE FUNCIONAL ACLARADO | Lamina | Fagor Industrial S.Coop. <b>FAGOR</b> |
| C-1834  | <i>[Signature]</i> | 2007-06 | LAVAVAJILLAS FI-48 ; FI-48B |                          | 6      | Oñate                                 |

|      |                                  |      |                          |       |        |
|------|----------------------------------|------|--------------------------|-------|--------|
| MOD. | LAVAVAJILLAS DE APERTURA FRONTAL | ZONA | PARTE FUNCIONAL ACLARADO | PLANO | C-1834 |
|------|----------------------------------|------|--------------------------|-------|--------|

| ITEM | CODIGO     | DENOMINACION                  | TEXTO                       | FI-48 | FI-48 B |  |  |  |  |  | NOTAS                  |
|------|------------|-------------------------------|-----------------------------|-------|---------|--|--|--|--|--|------------------------|
| 1    | R722631000 | FIJACION ALERON               | AILERON FASTENING           | 1     | 1       |  |  |  |  |  | ELIMINADO 01.01.09     |
|      | Q162040000 | TUERCA EXAGONAL M6            | HEXAGONAL NUT M6            | 1     | 1       |  |  |  |  |  |                        |
| 2    | 3676900000 | TUBO GOMA NEGRA Ø 17*10       | BLACK RUBBER PIPE 17*10     | 1     | 1       |  |  |  |  |  |                        |
|      | Q881302000 | ABRAZADERA 12-20              | CLAMP 12-20                 | 2     | 2       |  |  |  |  |  |                        |
| 3    | 3676900000 | TUBO GOMA NEGRA Ø 17*10       | BLACK RUBBER PIPE 17*10     | 1     | 1       |  |  |  |  |  |                        |
|      | Q881302000 | ABRAZADERA 12-20              | CLAMP 12-20                 | 2     | 2       |  |  |  |  |  |                        |
| 4    | Z200707000 | SOPORTE DISTRIB. SUPERIOR     | UPPER DISTRIB. SUPPORT      | 1     | 1       |  |  |  |  |  |                        |
| 5    | Z201106000 | RACORD EN Y                   | Y-CONNECTION                | 1     | 1       |  |  |  |  |  |                        |
| 6    | 3676900000 | TUBO GOMA NEGRA Ø 17*10       | BLACK RUBBER PIPE 17*10     | 1     | 1       |  |  |  |  |  |                        |
|      | Q881302000 | ABRAZADERA 12-20              | CLAMP 12-20                 | 2     | 2       |  |  |  |  |  |                        |
| 7    | Z200703000 | PASAMUROS                     | BUSHING                     | 1     | 1       |  |  |  |  |  |                        |
| 8    | Z601157000 | TOMA PRESION                  | PRESSURE INTAKE             | 1     | 1       |  |  |  |  |  |                        |
| 9    | 3704000000 | TUBO GOMA NEGRO D 10,5*5      | BLACK RUBBER PIPE Ø 10.5*5  | 1     | 1       |  |  |  |  |  |                        |
|      | Q881308000 | ABRAZADERA 8-14L              | CLAMP 8-14L                 | 2     | 2       |  |  |  |  |  |                        |
| 10   | Z651123000 | DOSIFICADOR TENSOACTIVO       | SURFACE ACTIVE DISPENSER    | 1     | 1       |  |  |  |  |  | ELIMINADO 03.04.09     |
| 10   | Z211109000 | DOSIFICADOR TENSOACTIVO N-6   | SURFACE ACT. DISP. N-6      | 1     | 1       |  |  |  |  |  | ELIMINADO 18.06.2012   |
| 10   | 12045206   | DOSIFICADOR_ABRILLANTADOR_A   | RINSE AID DISPENSER         | 1     | 1       |  |  |  |  |  | INTRODUCIDO 18.06.2012 |
| 11   | Z203007000 | CASQUILLO                     | BUSHING                     | 2     | 2       |  |  |  |  |  |                        |
| 12   | Z448614000 | CONDUCTO ASPIRACIÓN           | EXTRACTOR PIPE              | 1     | 1       |  |  |  |  |  | ELIMINADO 31.07.07     |
| 12   | Z448618000 | CONDUCTO ABRILLANTADOR        | CROCKERY POLISHER PIPE      | 1     | 1       |  |  |  |  |  | INTRODUCIDO 31.07.07   |
| 13   | Z701152000 | PESO FILTRO                   | FILTER WEIGHT               | 1     | 1       |  |  |  |  |  |                        |
| 14   | 3676900000 | TUBO GOMA NEGRA Ø 17*10       | BLACK RUBBER PIPE 17*10     | 1     | 1       |  |  |  |  |  |                        |
|      | Q881302000 | ABRAZADERA 12-20              | CLAMP 12-20                 | 2     | 2       |  |  |  |  |  |                        |
| 15   | Q012063000 | TORNIL. EXAGONAL M10x20 A.304 | HEXAGONAL BOLT M10X20 A.304 | 1     | 1       |  |  |  |  |  |                        |
|      | Q307048000 | JUNTA TORICA Ø9.12X16.18X3.53 | O-RING Ø9.12X16.18X3.53     | 1     | 1       |  |  |  |  |  |                        |
| 16   | 12022943   | CALDERIN COMPLETO             | COMPLETE DRUM               | 1     | 1       |  |  |  |  |  |                        |
| 17   | 3676900000 | TUBO GOMA NEGRA Ø 17*10       | BLACK RUBBER PIPE 17*10     | 1     | 1       |  |  |  |  |  |                        |
|      | Q881302000 | ABRAZADERA 12-20              | CLAMP 12-20                 | 2     | 2       |  |  |  |  |  |                        |
| 18   | Z701135000 | ELECTR. SIMP.220V COD.255.208 | SOLENOID VALVE SIMP.220V CO | 1     | 1       |  |  |  |  |  |                        |
|      | Q152024000 | TORN. AVELLANADO M4x8 A.304   | HEXAGONAL COUNTERSUNK M4    | 2     | 2       |  |  |  |  |  |                        |
| 19   | Z602121000 | MANGUERA ENTRADA AGUA         | WATER INTAKE HOSE           | 1     | 1       |  |  |  |  |  |                        |



ITEM MARCADO EN COLOR = REPUESTO RECOMENDADO  
 COLOURED ITEM = RECOMMENDED SPARE PART

|         |                    |         |                      |                          |        |                                       |
|---------|--------------------|---------|----------------------|--------------------------|--------|---------------------------------------|
| N plano | Firma              | Fecha   | Aparato              | PARTE FUNCIONAL ACLARADO | Lamina | Fagor Industrial S.Coop. <b>FAGOR</b> |
| C-1835  | <i>[Signature]</i> | 2007-06 | LAVAVAJILLAS FI-48 D |                          | 7      | Oñate                                 |

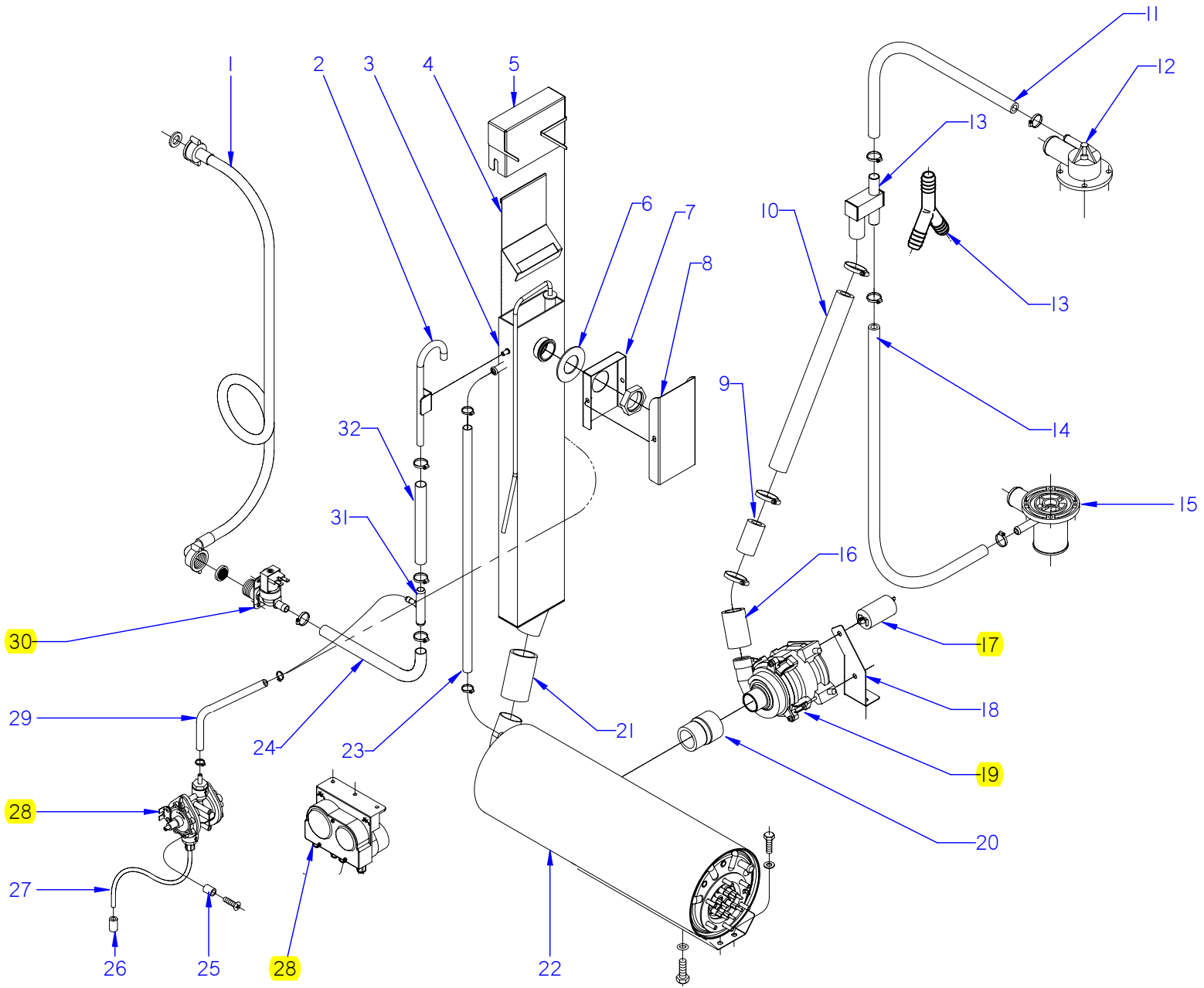
| MOD. |            | LAVAVAJILLAS DE APERTURA FRONTAL |                             | ZONA    | PARTE FUNCIONAL ACLARADO |  |  |  |  | PLANO | C-1835                 |
|------|------------|----------------------------------|-----------------------------|---------|--------------------------|--|--|--|--|-------|------------------------|
| ITEM | CODIGO     | DENOMINACION                     | TEXTO                       | FI-48 D |                          |  |  |  |  |       | NOTAS                  |
| 1    | Z602121000 | MANGUERA ENTRADA AGUA            | WATER INTAKE HOSE           | 1       |                          |  |  |  |  |       |                        |
| 2    | P255001000 | ELECTROVALVULA DOBLE             | DOUBLE SOLENOID VALVE       | 1       |                          |  |  |  |  |       |                        |
|      | P305013000 | REGULADOR 1L. AMA 255.005        | REGULATOR 1L. AMA 255.005   | 1       |                          |  |  |  |  |       |                        |
|      | Q152024000 | TORN. AVELLANADO M4x8 A.304      | HEXAGONAL COUNTERSUNK M4    | 2       |                          |  |  |  |  |       |                        |
| 3    | 3676900000 | TUBO GOMA NEGRA Ø 17*10          | BLACK RUBBER PIPE 17*10     | 1       |                          |  |  |  |  |       |                        |
|      | Q881302000 | ABRAZADERA 12-20                 | CLAMP 12-20                 | 2       |                          |  |  |  |  |       |                        |
| 4    | R722631000 | FIJACION ALERON                  | AILERON FASTENING           | 1       |                          |  |  |  |  |       | ELIMINADO 01.01.09     |
|      | Q162040000 | TUERCA EXAGONAL M6               | HEXAGONAL NUT M6            | 1       |                          |  |  |  |  |       |                        |
| 5    | 3676900000 | TUBO GOMA NEGRA Ø 17*10          | BLACK RUBBER PIPE 17*10     | 1       |                          |  |  |  |  |       |                        |
|      | Q881302000 | ABRAZADERA 12-20                 | CLAMP 12-20                 | 2       |                          |  |  |  |  |       |                        |
| 6    | 3676900000 | TUBO GOMA NEGRA Ø 17*10          | BLACK RUBBER PIPE 17*10     | 1       |                          |  |  |  |  |       |                        |
|      | Q881302000 | ABRAZADERA 12-20                 | CLAMP 12-20                 | 2       |                          |  |  |  |  |       |                        |
| 7    | Z200707000 | SOPORTE DISTRIB. SUPERIOR        | UPPER DISTRIB. SUPPORT      | 1       |                          |  |  |  |  |       |                        |
| 8    | Z201106000 | RACORD EN Y                      | Y-CONNECTION                | 1       |                          |  |  |  |  |       |                        |
| 9    | 3676900000 | TUBO GOMA NEGRA Ø 17*10          | BLACK RUBBER PIPE 17*10     | 1       |                          |  |  |  |  |       |                        |
|      | Q881302000 | ABRAZADERA 12-20                 | CLAMP 12-20                 | 2       |                          |  |  |  |  |       |                        |
| 10   | Z200703000 | PASAMUROS                        | BUSHING                     | 1       |                          |  |  |  |  |       |                        |
| 11   | Z601157000 | TOMA PRESION                     | PRESSURE INTAKE             | 1       |                          |  |  |  |  |       |                        |
| 12   | 3704000000 | TUBO GOMA NEGRO D 10,5*5         | BLACK RUBBER PIPE Ø 10.5*5  | 1       |                          |  |  |  |  |       |                        |
|      | Q881308000 | ABRAZADERA 8-14L                 | CLAMP 8-14L                 | 2       |                          |  |  |  |  |       |                        |
| 13   | Z651123000 | DOSIFICADOR TENSOACTIVO          | SURFACE ACTIVE DISPENSER    | 1       |                          |  |  |  |  |       | ELIMINADO 03.04.09     |
| 13   | Z211109000 | DOSIFICADOR TENSOACTIVO N-6      | SURFACE ACT. DISP. N-6      | 1       |                          |  |  |  |  |       | ELIMINADO 18.06.2012   |
| 13   | 12045206   | DOSIFICADOR_ABRILLANTADOR_A      | RINSE AID DISPENSER         | 1       |                          |  |  |  |  |       | INTRODUCIDO 18.06.2012 |
| 14   | Z203007000 | CASQUILLO                        | BUSHING                     | 2       |                          |  |  |  |  |       |                        |
| 15   | Z448614000 | CONDUCTO ASPIRACIÓN              | EXTRACTOR PIPE              | 1       |                          |  |  |  |  |       | ELIMINADO 31.07.07     |
| 15   | Z448618000 | CONDUCTO ABRILLANTADOR           | CROCKERY POLISHER PIPE      | 1       |                          |  |  |  |  |       | INTRODUCIDO 31.07.07   |
| 16   | Z701152000 | PESO FILTRO                      | FILTER WEIGHT               | 1       |                          |  |  |  |  |       |                        |
| 17   | 3676900000 | TUBO GOMA NEGRA Ø 17*10          | BLACK RUBBER PIPE 17*10     | 1       |                          |  |  |  |  |       |                        |
|      | Q881302000 | ABRAZADERA 12-20                 | CLAMP 12-20                 | 2       |                          |  |  |  |  |       |                        |
| 18   | Q012063000 | TORNIL. EXAGONAL M10x20 A.304    | HEXAGONAL BOLT M10X20 A.304 | 1       |                          |  |  |  |  |       |                        |
|      | Q307048000 | JUNTA TORICA Ø9.12X16.18X3.53    | O-RING Ø9.12X16.18X3.53     | 1       |                          |  |  |  |  |       |                        |

|      |                                  |      |                          |       |        |
|------|----------------------------------|------|--------------------------|-------|--------|
| MOD. | LAVAVAJILLAS DE APERTURA FRONTAL | ZONA | PARTE FUNCIONAL ACLARADO | PLANO | C-1835 |
|------|----------------------------------|------|--------------------------|-------|--------|

| ITEM | CODIGO     | DENOMINACION                   | TEXTO                       | FI-48 D |  |  |  |  |  |  |  | NOTAS |
|------|------------|--------------------------------|-----------------------------|---------|--|--|--|--|--|--|--|-------|
| 19   | 12022943   | CALDERIN COMPLETO              | COMPLETE DRUM               | 1       |  |  |  |  |  |  |  |       |
|      | Q012031000 | TORNIL. EXAGONAL M5x10 A.304   | HEXAGONAL BOLT M5X10 A.304  | 2       |  |  |  |  |  |  |  |       |
|      | Q232030000 | ARANDELA A5                    | WASHER A5                   | 2       |  |  |  |  |  |  |  |       |
| 20   | 3676900000 | TUBO GOMA NEGRA Ø 17*10        | BLACK RUBBER PIPE 17*10     | 1       |  |  |  |  |  |  |  |       |
|      | Q881302000 | ABRAZADERA 12-20               | CLAMP 12-20                 | 2       |  |  |  |  |  |  |  |       |
| 21   | Z471102000 | DEPOSITO SOLDADO               | WELDED TANK                 | 1       |  |  |  |  |  |  |  |       |
|      | Z471107000 | JUNTA TUERCA (BITRON 15702.01) | NUT SEAL (BITRON 15702.01)  | 1       |  |  |  |  |  |  |  |       |
|      | Z471106000 | TUERCA (BITRON 27414.00)       | NUT (BITRON 27414.00)       | 1       |  |  |  |  |  |  |  |       |
|      | Z471109000 | JUNTA TAPON (BITRON 06485.02)  | PLUG SEAL (BITRON 06485.02) | 1       |  |  |  |  |  |  |  |       |
|      | Z471108000 | TAPON (BITRON 27415.00)        | PLUG (BITRON 27415.00)      | 1       |  |  |  |  |  |  |  |       |
| 22   | Z471105000 | FILTRO (BITRON 06281.01)       | FILTER (BITRON 06281.01)    | 2       |  |  |  |  |  |  |  |       |
| 23   | 3676900000 | TUBO GOMA NEGRA Ø 17*10        | BLACK RUBBER PIPE 17*10     | 2       |  |  |  |  |  |  |  |       |
|      | Q881302000 | ABRAZADERA 12-20               | CLAMP 12-20                 | 4       |  |  |  |  |  |  |  |       |
| 24   | Z471101000 | DESCALCIFICADOR 4 COLUMNAS     | WATER SOFTENER 4 COLUMN     | 1       |  |  |  |  |  |  |  |       |
|      | Q152012000 | PERNO SOLDADO M6X15            | WELDED BOLT M6X15           | 2       |  |  |  |  |  |  |  |       |
|      | Z471112000 | SOPORTE INFERIOR DESCALCIF.    | LOWER SUPPORT DESCALER      | 2       |  |  |  |  |  |  |  |       |
|      |            |                                |                             |         |  |  |  |  |  |  |  |       |
|      |            |                                |                             |         |  |  |  |  |  |  |  |       |
|      |            |                                |                             |         |  |  |  |  |  |  |  |       |
|      |            |                                |                             |         |  |  |  |  |  |  |  |       |
|      |            |                                |                             |         |  |  |  |  |  |  |  |       |
|      |            |                                |                             |         |  |  |  |  |  |  |  |       |
|      |            |                                |                             |         |  |  |  |  |  |  |  |       |
|      |            |                                |                             |         |  |  |  |  |  |  |  |       |
|      |            |                                |                             |         |  |  |  |  |  |  |  |       |
|      |            |                                |                             |         |  |  |  |  |  |  |  |       |
|      |            |                                |                             |         |  |  |  |  |  |  |  |       |
|      |            |                                |                             |         |  |  |  |  |  |  |  |       |
|      |            |                                |                             |         |  |  |  |  |  |  |  |       |
|      |            |                                |                             |         |  |  |  |  |  |  |  |       |
|      |            |                                |                             |         |  |  |  |  |  |  |  |       |
|      |            |                                |                             |         |  |  |  |  |  |  |  |       |
|      |            |                                |                             |         |  |  |  |  |  |  |  |       |

|                             |                                |
|-----------------------------|--------------------------------|
| N plano                     | C-1836                         |
| Firma                       | <i>(Firma)</i>                 |
| Fecha                       | 2007-06                        |
| Aparato                     | LAVAVAJ. FI-48; CLINIC; B-BTUK |
| PARTE FUNCIONAL DE ACLARADO |                                |
| Lamina                      | 8                              |
| Fagor Industrial S. Coop.   | <b>FAGOR</b>                   |
| Omate                       |                                |

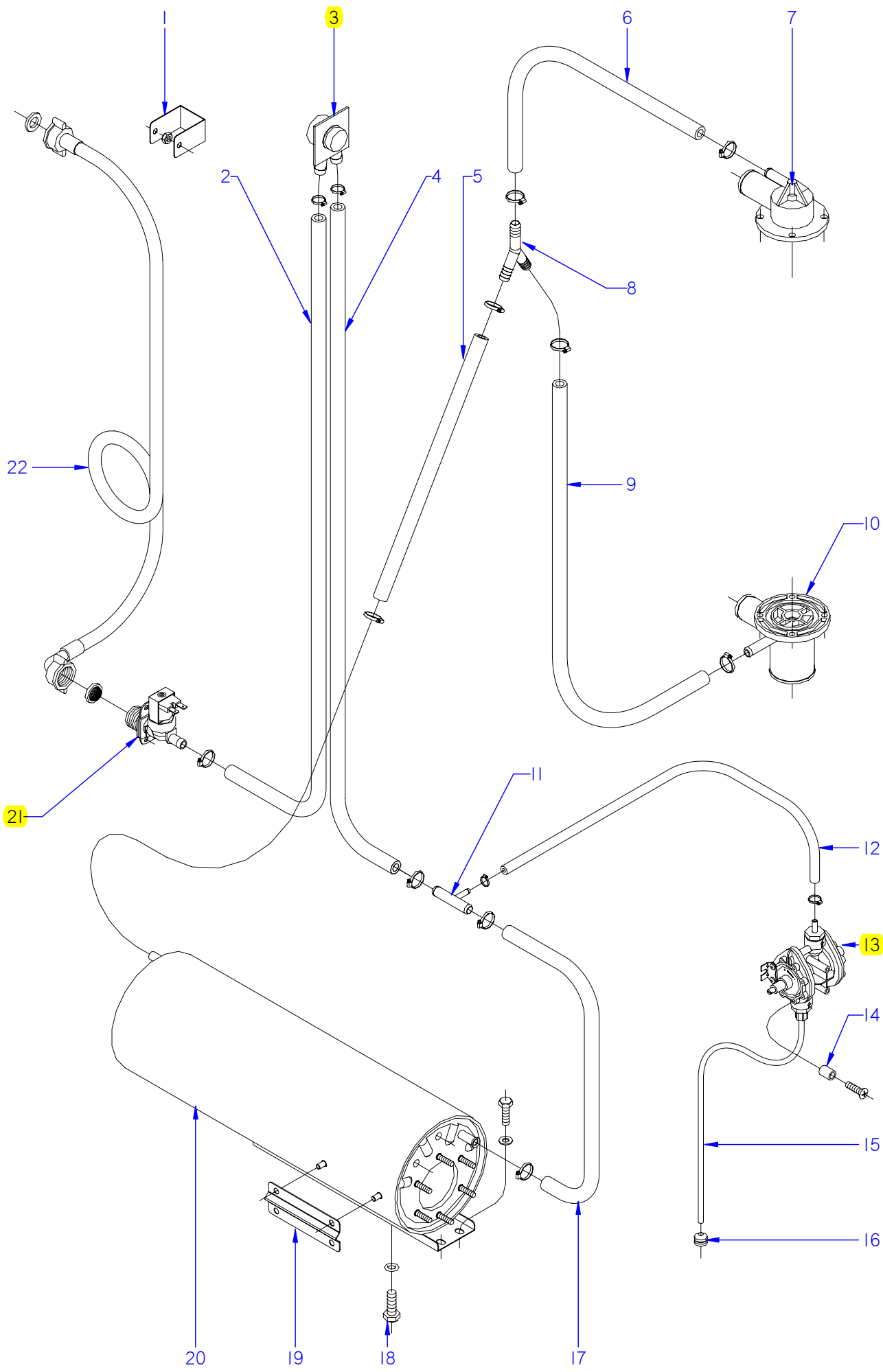
ITEM MARCADO EN COLOR = REPUESTO RECOMENDADO  
 COLOURED ITEM = RECOMMENDED SPARE PART



| MOD. |            | LAVAVAJILLAS DE APERTURA FRONTAL |                             | ZONA            | PARTE FUNCIONAL ACLARADO |  |  |  | PLANO | C-1836               |
|------|------------|----------------------------------|-----------------------------|-----------------|--------------------------|--|--|--|-------|----------------------|
| ITEM | CODIGO     | DENOMINACION                     | TEXTO                       | FI-48 HY CLINIC | FI-48 B-BTUK             |  |  |  |       | NOTAS                |
| 1    | Z602121000 | MANGUERA ENTRADA AGUA            | WATER INTAKE HOSE           | 1               | 1                        |  |  |  |       |                      |
| 2    | Z258903000 | CAÑO COMPLETO                    | COMPLETE SPOUT              | 1               | 1                        |  |  |  |       |                      |
|      | Q232040000 | ARANDELA A6                      | WASHER A6                   | 1               | 1                        |  |  |  |       |                      |
|      | Q162040000 | TUERCA EXAGONAL M6               | HEXAGONAL NUT M6            | 1               | 1                        |  |  |  |       |                      |
| 3    | Z258906000 | DEPÓSITO COMPLETO                | COMPLETE TANK               | 1               | 1                        |  |  |  |       |                      |
| 4    | Z258953000 | TAPA INTERIOR DEPOSITO           | TANK INNER COVER            | 1               | 1                        |  |  |  |       |                      |
| 5    | Z258955000 | CUBIERTA DEPÓSITO                | TANK COVER                  | 1               | 1                        |  |  |  |       |                      |
|      | Q162040000 | TUERCA EXAGONAL M6               | HEXAGONAL NUT M6            | 1               | 1                        |  |  |  |       |                      |
|      | Q232040000 | ARANDELA A6                      | WASHER A6                   | 1               | 1                        |  |  |  |       |                      |
| 6    | R675007000 | JUNTA RETENCION VAPORES          | STEAM RETAINER SEAL         | 1               | 1                        |  |  |  |       |                      |
| 7    | Z258938000 | CUBIERTA PASAMUROS INTER.        | INTER. BUSHING COVER        | 1               | 1                        |  |  |  |       |                      |
|      | Q223014000 | CONTRATUERCA 1 LATON             | COUNTERNUT 1 BRASS          | 1               | 1                        |  |  |  |       |                      |
| 8    | Z258939000 | CUBIERTA PASAMUROS EXTER.        | EXTER. BUSHING COVER        | 1               | 1                        |  |  |  |       |                      |
|      | Q222011000 | REMACHE EXAGONAL M5 INOX.        | HEXAGONAL RIVET M5 INOX     | 2               | 2                        |  |  |  |       |                      |
|      | Q152004000 | TORNIL, APLASTADO M5x13 A304     | FLAT HEADED BOLT M5x13 A304 | 2               | 2                        |  |  |  |       |                      |
| 9    | Z257403000 | MANGUITO IMPULSIÓN               | IMPULSE HOSE                | 1               | 1                        |  |  |  |       | ELIMINADO 03.06.08   |
| 10   | 3722600000 | TUBO EPDM 28.5 X 22 REFORZ.      | PIPE EPDM 28.5 X 22 REINF.  | 1               | 1                        |  |  |  |       | ELIMINADO 01.12.08   |
| 10   | Z258967000 | MANGUERA ENJUAGUE BOMBA          | RINSE PUMP HOSE             | 1               | 1                        |  |  |  |       | INTRODUCIDO 03.04.09 |
| 11   | 3676900000 | TUBO GOMA NEGRA Ø 17*10          | BLACK RUBBER PIPE 17*10     | 1               | 1                        |  |  |  |       |                      |
|      | Q881302000 | ABRAZADERA 12-20                 | CLAMP 12-20                 | 2               | 2                        |  |  |  |       |                      |
| 12   | Z200707000 | SOPORTE DISTRIB. SUPERIOR        | UPPER DISTRIB. SUPPORT      | 1               | 1                        |  |  |  |       |                      |
| 13   | Z258934000 | CONEXIÓN T COMPLETA              | COMPLETE T CONNECTION       | 1               | 1                        |  |  |  |       | ELIMINADO 01.04.09   |
| 13   | Z201106000 | RACORD EN Y                      | Y-CONNECTION                | 1               | 1                        |  |  |  |       | INTRODUCIDO 15.04.09 |
| 14   | 3676900000 | TUBO GOMA NEGRA Ø 17*10          | BLACK RUBBER PIPE 17*10     | 1               | 1                        |  |  |  |       |                      |
|      | Q881302000 | ABRAZADERA 12-20                 | CLAMP 12-20                 | 2               | 2                        |  |  |  |       |                      |
| 15   | Z200703000 | PASAMUROS                        | BUSHING                     | 1               | 1                        |  |  |  |       |                      |
| 16   | Z258933000 | MANGUITO IMPULSIÓN               | IMPULSE HOSE                | 1               | 1                        |  |  |  |       | ELIMINADO 01.12.08   |
|      | Q881306000 | ABRAZADERA 32-50 L               | CLAMP 32-50 L               | 4               | 4                        |  |  |  |       |                      |
| 17   | Z258927000 | CONDENSADOR 3 µF                 | CONDENSER 3 µF              | 1               | 1                        |  |  |  |       | ELIMINADO 01.04.09   |
| 17   | Z258969000 | CONDENSADOR 5 µF                 | CONDENSER 5 µF              | 1               | 1                        |  |  |  |       | INTRODUCIDO 01.04.09 |

| MOD. |            | LAVAVAJILLAS DE APERTURA FRONTAL |                             | ZONA            | PARTE FUNCIONAL ACLARADO |  |  |  |  | PLANO | C-1836                 |
|------|------------|----------------------------------|-----------------------------|-----------------|--------------------------|--|--|--|--|-------|------------------------|
| ITEM | CODIGO     | DENOMINACION                     | TEXTO                       | FI-48 HY CLINIC | FI-48 B-BTUK             |  |  |  |  |       | NOTAS                  |
| 18   | Z258929000 | SOPORTE M. BOMBA ACLARADO        | M-PUMP SUPPORT RINSE        | 1               | 1                        |  |  |  |  |       | ELIMINADO 01.04.09     |
| 18   | Z258968000 | SOPORTE BOMBA HANNING            | HANNING SUPPORT RINSE       | 1               | 1                        |  |  |  |  |       | INTRODUCIDO 01.04.09   |
|      | Q032035000 | TORNILLO ALOMADO M5x30           | CURVED SCREW M5X30          | 2               | 2                        |  |  |  |  |       |                        |
|      | Q232030000 | ARANDELA A5                      | WASHER A5                   | 2               | 2                        |  |  |  |  |       |                        |
|      | Q012031000 | TORNILLO EXAGONAL M5x10          | HEXAGONAL BOLT M5x10        | 2               | 2                        |  |  |  |  |       |                        |
| 19   | Z258926000 | MOTOBOMBA                        | MOTORPUMP                   | 1               | 1                        |  |  |  |  |       | ELIMINADO 01.04.09     |
| 19   | Z258965000 | BOMBA ACLARADO HANNING           | RINSE PUMP                  | 1               | 1                        |  |  |  |  |       | INTRODUCIDO 01.04.09   |
| 20   | Z258931000 | MANGUITO REDUCCIÓN               | REDUCTION HOSE              | 1               | 1                        |  |  |  |  |       |                        |
| 21   | Z258925000 | MANGUITO CONEXIÓN                | CONNECTION HOSE             | 1               | 1                        |  |  |  |  |       |                        |
|      | Q881306000 | ABRAZADERA 32-50 L               | CLAMP 32-50 L               | 2               | 2                        |  |  |  |  |       |                        |
| 22   | Z258916000 | CALDERIN COMPLETO BBT            | COMPLETE DRUM BBT           | 1               | 1                        |  |  |  |  |       |                        |
| 23   | 3676900000 | TUBO GOMA NEGRA Ø 17*10          | BLACK RUBBER PIPE 17*10     | 1               | 1                        |  |  |  |  |       |                        |
|      | Q881302000 | ABRAZADERA 12-20                 | CLAMP 12-20                 | 2               | 2                        |  |  |  |  |       |                        |
| 24   | 3676900000 | TUBO GOMA NEGRA Ø 17*10          | BLACK RUBBER PIPE 17*10     | 1               | 1                        |  |  |  |  |       |                        |
|      | Q881302000 | ABRAZADERA 12-20                 | CLAMP 12-20                 | 2               | 2                        |  |  |  |  |       |                        |
| 25   | Z203007000 | CASQUILLO                        | BUSHING                     | 2               | 2                        |  |  |  |  |       | ELIMINADO 01.02.08     |
| 26   | Z701152000 | PESO FILTRO                      | FILTER WEIGHT               | 1               | 1                        |  |  |  |  |       | ELIMINADO 01.02.08     |
| 27   | Z448614000 | CONDUCTO ASPIRACIÓN              | EXTRACTOR PIPE              | 1               | 1                        |  |  |  |  |       | ELIMINADO 31.07.07     |
| 27   | Z448618000 | CONDUCTO ABRILLANTADOR           | POLISH DUCT                 | 1               | 1                        |  |  |  |  |       | INTRODUCIDO 06.09.10   |
| 28   | Z651123000 | DOSIFICADOR TENSOACTIVO          | SURFACE ACTIVE DISPENSER    | 1               | 1                        |  |  |  |  |       | ELIMINADO 01.02.08     |
| 28   | Z208915000 | DOSIFIC. DGTE ABRILLANTADOR      | DETERGENT DISP. POLISHER    | 1               | 1                        |  |  |  |  |       | INTRODUCIDO 01.02.08   |
| 29   | 3699200000 | CONDUCTO DOSIFICADOR 6X4         | CONDUIT 6X4                 | 1               | 1                        |  |  |  |  |       |                        |
|      | Q881308000 | ABRAZADERA 8-14L                 | CLAMP 8-14L                 | 2               | 2                        |  |  |  |  |       |                        |
| 30   | Z701135000 | ELECTR. SIMP.220V COD.255.208    | SOLENOID VALVE SIMP.220V CO | 1               | 1                        |  |  |  |  |       |                        |
|      | Z601156000 | REGULADOR 8L RO. 254.034         | REGULATOR 8L RED 254.034    | 1               | 1                        |  |  |  |  |       |                        |
|      | Z841107000 | REGUL.ENTRADA 10L 254.067        | REGULATOR 10L 254.067       | 1               | 1                        |  |  |  |  |       | ELIMINADO 01.05.2012   |
|      | 12044690   | REGULADOR DE CAUDAL              | REGULATOR                   | 1               | 1                        |  |  |  |  |       | INTRODUCIDO 01.05.2012 |
| 31   | Z601157000 | TOMA PRESION                     | PRESSURE INTAKE             | 1               | 1                        |  |  |  |  |       | ELIMINADO 01.04.08     |
| 31   | Z718949000 | TE TOMA PRESION                  | PRESSURE INTAKE TE          | 1               | 1                        |  |  |  |  |       | ELIMINADO 06.09.10     |
| 32   | 3676900000 | TUBO GOMA NEGRA Ø 17*10          | BLACK RUBBER PIPE 17*10     | 1               | 1                        |  |  |  |  |       | ELIMINADO 06.09.10     |
|      | Q881302000 | ABRAZADERA 12-20                 | CLAMP 12-20                 | 2               | 2                        |  |  |  |  |       | ELIMINADO 06.09.10     |





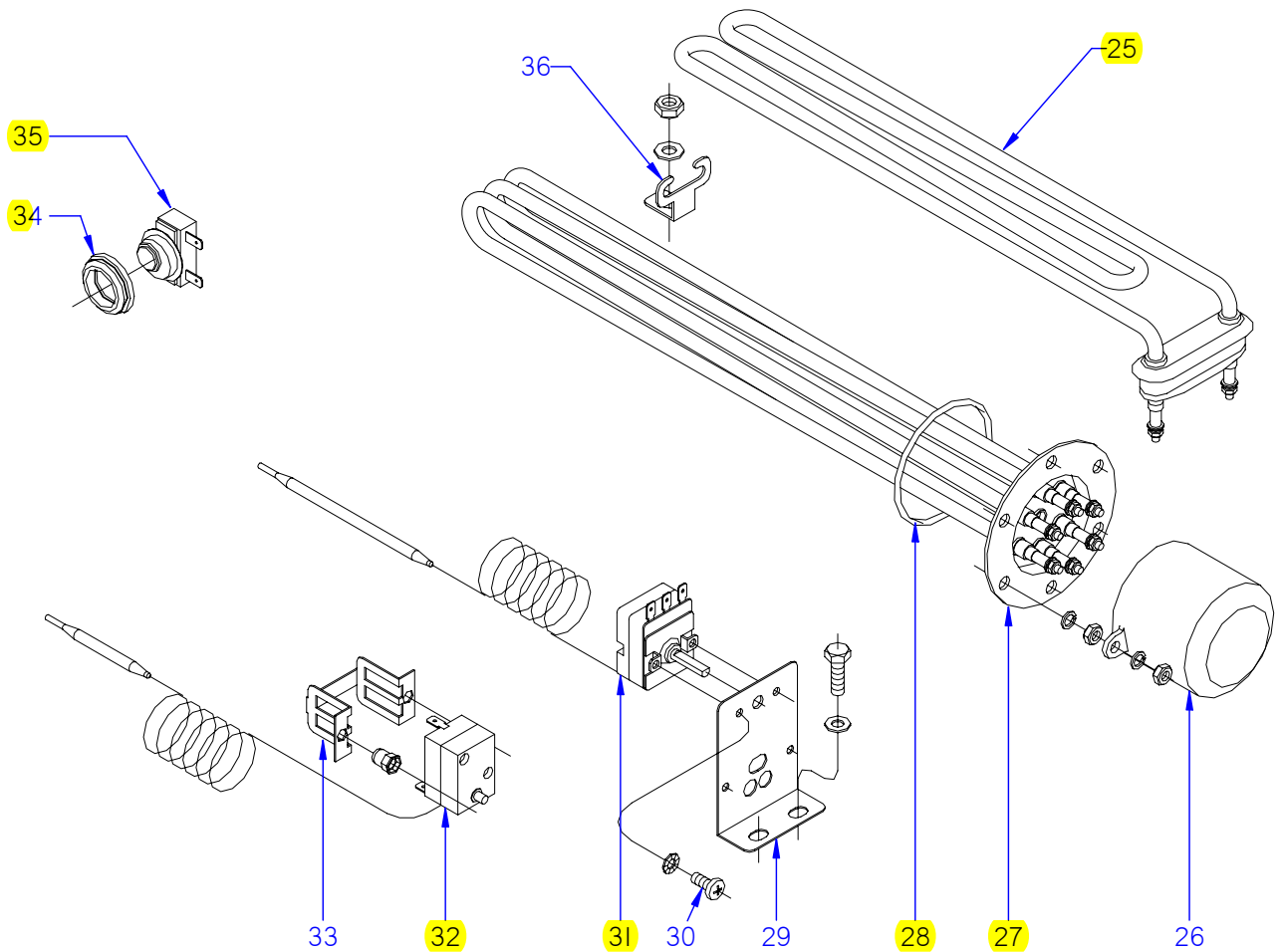
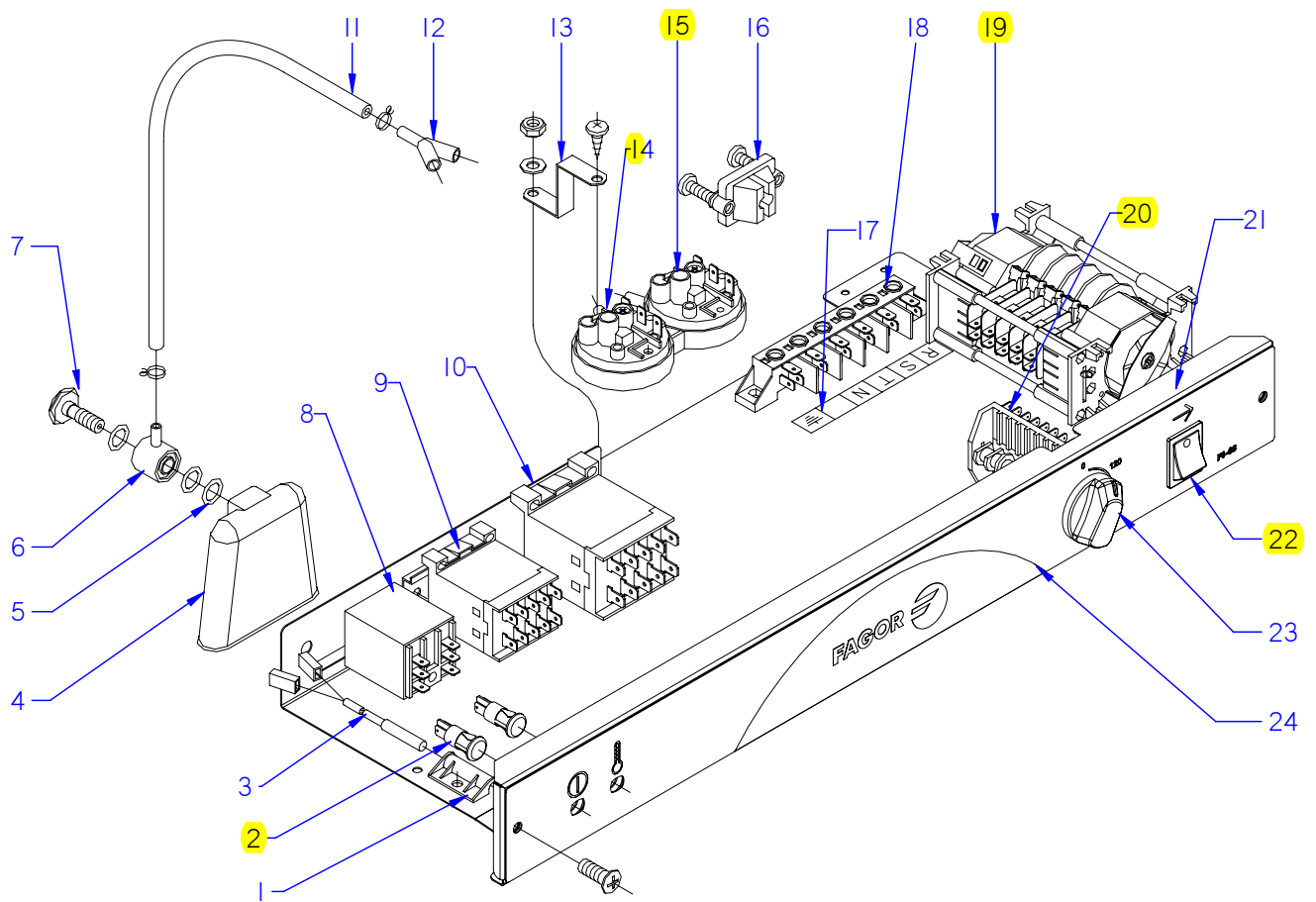
ITEM MARCADO EN COLOR = REPUESTO RECOMENDADO  
 COLOURED ITEM = RECOMMENDED SPARE PART

|         |                    |         |                             |                          |        |                                       |
|---------|--------------------|---------|-----------------------------|--------------------------|--------|---------------------------------------|
| N plano | Firma              | Fecha   | Aparato                     | PARTE FUNCIONAL ACLARADO | Lamina | Fagor Industrial S.Coop. <b>FAGOR</b> |
| C-1837  | <i>[Signature]</i> | 2007-06 | LAVAVAJILLAS FI-48-C; W; AR |                          | 9      | Oñate                                 |

| MOD. |            | LAVAVAJILLAS DE APERTURA FRONTAL |                             | ZONA    | PARTE FUNCIONAL ACLARADO |          |  | PLANO | C-1837 |                        |
|------|------------|----------------------------------|-----------------------------|---------|--------------------------|----------|--|-------|--------|------------------------|
| ITEM | CODIGO     | DENOMINACION                     | TEXTO                       | FI-48 C | FI-48 W                  | FI-48 AR |  |       |        | NOTAS                  |
| 1    | R722631000 | FIJACION ALERON                  | AILERON FASTENING           | 1       | 1                        | 1        |  |       |        | ELIMINADO 01.01.09     |
|      | Q162040000 | TUERCA EXAGONAL M6               | HEXAGONAL NUT M6            | 1       | 1                        | 1        |  |       |        |                        |
| 2    | 3676900000 | TUBO GOMA NEGRA Ø 17*10          | BLACK RUBBER PIPE 17*10     | 1       | 1                        | 1        |  |       |        |                        |
|      | Q881302000 | ABRAZADERA 12-20                 | CLAMP 12-20                 | 2       | 2                        | 2        |  |       |        |                        |
| 3    | Z231106000 | VALVULA ANTIRRETORNO             | NON-RETURN VALVE            | 1       | 1                        | 1        |  |       |        |                        |
| 4    | 3676900000 | TUBO GOMA NEGRA Ø 17*10          | BLACK RUBBER PIPE 17*10     | 1       | 1                        | 1        |  |       |        |                        |
|      | Q881302000 | ABRAZADERA 12-20                 | CLAMP 12-20                 | 2       | 2                        | 2        |  |       |        |                        |
| 5    | 3676900000 | TUBO GOMA NEGRA Ø 17*10          | BLACK RUBBER PIPE 17*10     | 1       | 1                        | 1        |  |       |        |                        |
|      | Q881302000 | ABRAZADERA 12-20                 | CLAMP 12-20                 | 2       | 2                        | 2        |  |       |        |                        |
| 6    | 3676900000 | TUBO GOMA NEGRA Ø 17*10          | BLACK RUBBER PIPE 17*10     | 1       | 1                        | 1        |  |       |        |                        |
|      | Q881302000 | ABRAZADERA 12-20                 | CLAMP 12-20                 | 2       | 2                        | 2        |  |       |        |                        |
| 7    | Z200707000 | SOPORTE DISTRIB. SUPERIOR        | UPPER DISTRIB. SUPPORT      | 1       | 1                        | 1        |  |       |        |                        |
| 8    | Z201106000 | RACORD EN Y                      | Y-CONNECTION                | 1       | 1                        | 1        |  |       |        |                        |
| 9    | 3676900000 | TUBO GOMA NEGRA Ø 17*10          | BLACK RUBBER PIPE 17*10     | 1       | 1                        | 1        |  |       |        |                        |
|      | Q881302000 | ABRAZADERA 12-20                 | CLAMP 12-20                 | 2       | 2                        | 2        |  |       |        |                        |
| 10   | Z200703000 | PASAMUROS                        | BUSHING                     | 1       | 1                        | 1        |  |       |        |                        |
| 11   | Z601157000 | TOMA PRESION                     | PRESSURE INTAKE             | 1       | 1                        | 1        |  |       |        |                        |
| 12   | 3704000000 | TUBO GOMA NEGRO D 10,5*5         | BLACK RUBBER PIPE Ø 10.5*5  | 1       | 1                        | 1        |  |       |        |                        |
|      | Q881308000 | ABRAZADERA 8-14L                 | CLAMP 8-14L                 | 2       | 2                        | 2        |  |       |        |                        |
| 13   | Z651123000 | DOSIFICADOR TENSOACTIVO          | SURFACE ACTIVE DISPENSER    | 1       | 1                        | 1        |  |       |        | ELIMINADO 03.04.09     |
| 13   | Z211109000 | DOSIFICADOR TENSOACTIVO N-6      | SURFACE ACT. DISP. N-6      | 1       |                          |          |  |       |        | ELIMINADO 18.06.2012   |
| 13   | 12045206   | DOSIFICADOR_ABRILLANTADOR_A      | RINSE AID DISPENSER         | 1       |                          |          |  |       |        | INTRODUCIDO 18.06.2012 |
| 14   | Z203007000 | CASQUILLO                        | BUSHING                     | 2       | 2                        | 2        |  |       |        |                        |
|      | Q041324000 | TORN. AVELLA. M4x25 H.ZINCADO    | COUNTERSUNK NUT M4x25 H.ZIN | 2       | 2                        | 2        |  |       |        |                        |
| 15   | Z448614000 | CONDUCTO ASPIRACION              | EXTRACTOR PIPE              | 1       | 1                        | 1        |  |       |        |                        |
| 16   | Z701152000 | PESO FILTRO                      | FILTER WEIGHT               | 1       | 1                        | 1        |  |       |        |                        |
| 17   | 3676900000 | TUBO GOMA NEGRA Ø 17*10          | BLACK RUBBER PIPE 17*10     | 1       | 1                        | 1        |  |       |        |                        |
|      | Q881302000 | ABRAZADERA 12-20                 | CLAMP 12-20                 | 2       | 2                        | 2        |  |       |        |                        |
| 18   | Q012063000 | TORNIL. EXAGONAL M10x20 A.304    | HEXAGONAL BOLT M10X20 A.304 | 1       | 1                        | 1        |  |       |        |                        |
|      | Q307048000 | JUNTA TORICA Ø9.12X16.18X3.53    | O-RING Ø9.12X16.18X3.53     | 1       | 1                        | 1        |  |       |        |                        |

|      |                                  |      |                          |       |        |
|------|----------------------------------|------|--------------------------|-------|--------|
| MOD. | LAVAVAJILLAS DE APERTURA FRONTAL | ZONA | PARTE FUNCIONAL ACLARADO | PLANO | C-1837 |
|------|----------------------------------|------|--------------------------|-------|--------|

| ITEM | CODIGO     | DENOMINACION                  | TEXTO                       | FI-48 C | FI-48 W | FI-48 AR |  |  |  |  |  | NOTAS |
|------|------------|-------------------------------|-----------------------------|---------|---------|----------|--|--|--|--|--|-------|
| 19   | Z748008000 | SOPORTE BULBO TERMOSTATO      | THERMOSTAT BULB SUPPORT     | 1       | 1       |          |  |  |  |  |  |       |
|      | Q162040000 | TUERCA EXAGONAL M6            | HEXAGONAL NUT M6            | 2       | 2       |          |  |  |  |  |  |       |
|      | Q232040000 | ARANDELA A6                   | WASHER A6                   | 2       | 2       |          |  |  |  |  |  |       |
|      | Q262040000 | ARANDELA GROW. A6 A.304       | WASHER GROW. A6 A.304       | 2       | 2       |          |  |  |  |  |  |       |
| 20   | 12022943   | CALDERIN COMPLETO             | COMPLETE DRUM               | 1       | 1       | 1        |  |  |  |  |  |       |
|      | Q012031000 | TORNIL. EXAGONAL M5x10 A.304  | HEXAGONAL BOLT M5X10 A.304  | 2       | 2       | 2        |  |  |  |  |  |       |
|      | Q232030000 | ARANDELA A5                   | WASHER A5                   | 2       | 2       | 2        |  |  |  |  |  |       |
|      | Q152018000 | PERNO M6x10                   | BOLT M6x10                  | 2       | 2       | 2        |  |  |  |  |  |       |
| 21   | Z701135000 | ELECTR. SIMP.220V COD.255.208 | SOLENOID VALVE SIMP.220V CO | 1       | 1       | 1        |  |  |  |  |  |       |
|      | Q152024000 | TORN. AVELLANADO M4x8 A.304   | HEXAGONAL COUNTERSUNK M4    | 2       | 2       | 2        |  |  |  |  |  |       |
| 22   | Z602121000 | MANGUERA ENTRADA AGUA         | WATER INTAKE HOSE           | 1       | 1       | 1        |  |  |  |  |  |       |
|      |            |                               |                             |         |         |          |  |  |  |  |  |       |
|      |            |                               |                             |         |         |          |  |  |  |  |  |       |
|      |            |                               |                             |         |         |          |  |  |  |  |  |       |
|      |            |                               |                             |         |         |          |  |  |  |  |  |       |
|      |            |                               |                             |         |         |          |  |  |  |  |  |       |
|      |            |                               |                             |         |         |          |  |  |  |  |  |       |
|      |            |                               |                             |         |         |          |  |  |  |  |  |       |
|      |            |                               |                             |         |         |          |  |  |  |  |  |       |
|      |            |                               |                             |         |         |          |  |  |  |  |  |       |
|      |            |                               |                             |         |         |          |  |  |  |  |  |       |
|      |            |                               |                             |         |         |          |  |  |  |  |  |       |
|      |            |                               |                             |         |         |          |  |  |  |  |  |       |
|      |            |                               |                             |         |         |          |  |  |  |  |  |       |
|      |            |                               |                             |         |         |          |  |  |  |  |  |       |
|      |            |                               |                             |         |         |          |  |  |  |  |  |       |
|      |            |                               |                             |         |         |          |  |  |  |  |  |       |
|      |            |                               |                             |         |         |          |  |  |  |  |  |       |
|      |            |                               |                             |         |         |          |  |  |  |  |  |       |

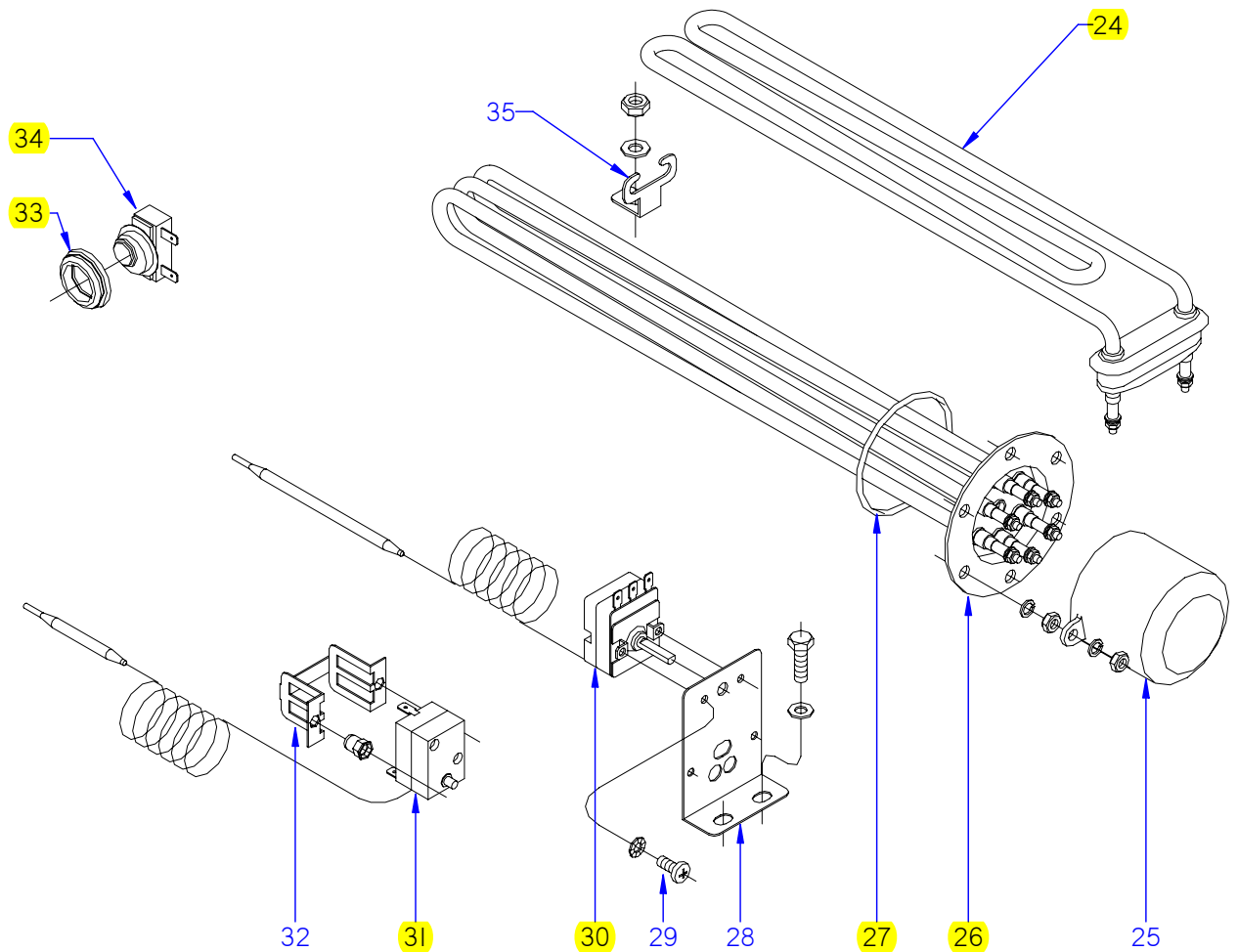
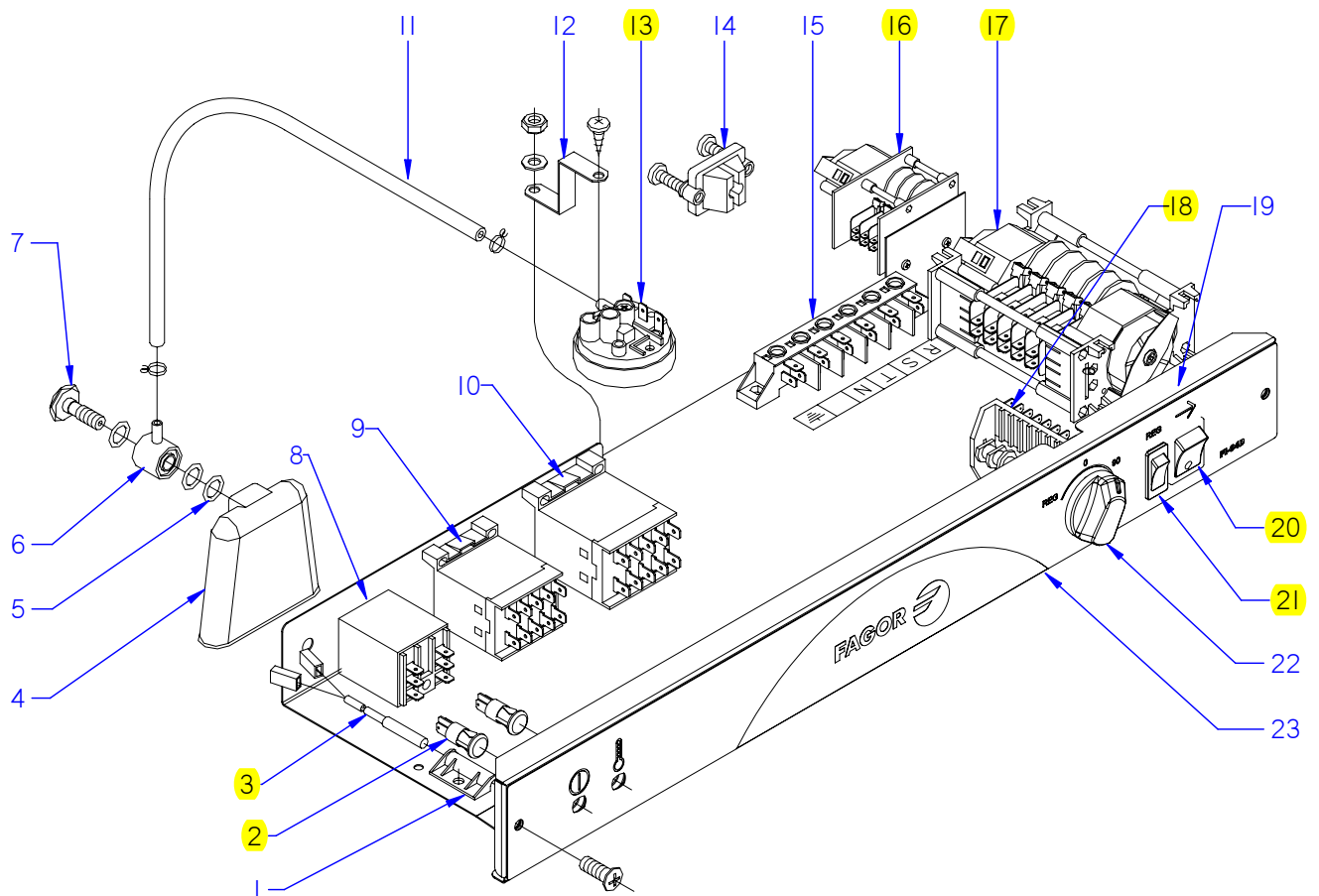


ITEM MARCADO EN COLOR = REPUESTO RECOMENDADO  
COLOURED ITEM = RECOMMENDED SPARE PART

|         |                    |         |                             |                           |        |                                       |
|---------|--------------------|---------|-----------------------------|---------------------------|--------|---------------------------------------|
| N plano | Firma              | Fecha   | Aparato                     | PARTE FUNCIONAL ELECTRICA | Lamina | Fagor Industrial S.Coop. <b>FAGOR</b> |
| C-1838  | <i>[Signature]</i> | 2007-06 | LAVAVAJILLAS FI-48; FI-48 B |                           | 10     | Oñate                                 |

| MOD. |            | LAVAVAJILLAS DE APERTURA FRONTAL |                              | ZONA  | PARTE FUNCIONAL ELECTRICA |  |  |  | PLANO | C-1838               |
|------|------------|----------------------------------|------------------------------|-------|---------------------------|--|--|--|-------|----------------------|
| ITEM | CODIGO     | DENOMINACION                     | TEXTO                        | FI-48 | FI-48 B                   |  |  |  |       | NOTAS                |
| 1    | Z203010000 | AMARRE INTERRUPT. MAGNETICO      | MAGNETIC SWITCH FASTENER     | 1     | 1                         |  |  |  |       |                      |
|      | Q152004000 | TORNIL, APLASTADO M5x13 A304     | FLAT HEADED BOLT M5x13 A304  | 1     | 1                         |  |  |  |       |                      |
|      | Q232030000 | ARANDELA A5                      | WASHER A5                    | 1     | 1                         |  |  |  |       |                      |
|      | Q162030000 | TUERCA EXAGONAL M5               | HEXAGONAL NUT M5             | 1     | 1                         |  |  |  |       |                      |
| 2    | R693056000 | PILOTO AMBAR 41227000A4          | AMBER PILOT 41227000A4       | 2     | 2                         |  |  |  |       |                      |
| 3    | Z203009000 | INTERRUPTOR MAGNETICO            | MAGNETIC SWITCH              | 1     | 1                         |  |  |  |       |                      |
| 4    | Z203011000 | CAMARA PRESOSTATO                | PRESSURE SWITCH              | 1     | 1                         |  |  |  |       |                      |
| 5    | Q307003000 | JUNTA TORICA 16.01X10.77X2.62    | O-RING 16.01X10.77X2.62      | 3     | 3                         |  |  |  |       |                      |
| 6    | Z203012000 | EMPALME PRESOSTATO               | PRESSURE SWITCH CONNEX       | 1     | 1                         |  |  |  |       |                      |
| 7    | Z203013000 | TORNILLO PRESOSTATO              | PRESSURE SWITCH BOLT         | 1     | 1                         |  |  |  |       |                      |
| 8    | Z203062000 | RELE 230V. 16A 50-60 HZ          | RELAY 230V. 16A 50-60 HZ     | 1     | 1                         |  |  |  |       |                      |
|      | Q162050000 | TUERCA EXAGONAL M8x1 INOX.       | HEXAGONAL NUT M8x1 INOX.     | 1     | 1                         |  |  |  |       |                      |
| 9    | Z213007000 | CONTACTOR 230 V. 50-60 HZ        | CONTACTOR 230 V. 50-60 HZ    | 1     | 1                         |  |  |  |       | ELIMINADO 01.11.08   |
| 9    | Z203050000 | CONTACTOR SIRIUS 3R 230V50-60    | CONTACTOR SIRIUS 3R 230V50-  | 1     | 1                         |  |  |  |       | INTRODUCIDO 01.11.08 |
| 10   | Z203050000 | CONTACTOR SIRIUS 3R 230V50-60    | CONTACTOR SIRIUS 3R 230V50-  | 1     | 1                         |  |  |  |       |                      |
| 11   | 3702400000 | TUBO GOMA NEGRO Ø 8*4            | BLACK RUBBER PIPE Ø 8*4      | 1     | 1                         |  |  |  |       |                      |
|      | P102154000 | BRIDA ELASTICA TUBO              | ELASTIC PIPE FLANGE          | 2     | 2                         |  |  |  |       |                      |
| 12   | Z103077000 | RACORD EN Y                      | Y-CONNECTION                 | -     | 1                         |  |  |  |       |                      |
| 13   | Z602923000 | SOPORTE PRESOSTATO               | PRESSURE SWITCH SUPPORT      | 1     | 1                         |  |  |  |       |                      |
|      | Q082032000 | TORNILLO ALOMADO BZ-3,5X9,5      | CURVED SCREW BZ-3.5x9.5      | 1     | 1                         |  |  |  |       |                      |
|      | Q152004000 | TORNILLO APLASTADO M5x13         | FLAT HEAD SCREW M5X13        | 1     | 1                         |  |  |  |       |                      |
|      | Q232030000 | ARANDELA A5                      | WASHER A5                    | 1     | 1                         |  |  |  |       |                      |
|      | Q162030000 | TUERCA EXAGONAL M5               | HEXAGONAL NUT M5             | 1     | 1                         |  |  |  |       |                      |
| 14   | Z203023000 | PRESOSTATO SIMPLE PVS            | SIMPLE PVS PRESSURE SWITCH   | 1     | 1                         |  |  |  |       |                      |
| 15   | Z223005000 | PRESOSTATO SIMPLE P.V.S.         | SIMPLE P.V.S. PRESSURE SWITC | -     | 1                         |  |  |  |       |                      |
| 16   | Z203020000 | RETENEDOR DE CABLE               | CABLE HOLDER                 | 1     | 1                         |  |  |  |       |                      |
| 17   | Z213005000 | ROTULO ADHESIVO                  | ADHESIVE LABEL               | 1     | 1                         |  |  |  |       |                      |
| 18   | R253044000 | REGLETA AUXILIAR FV-122          | AUXILIARY TERMINAL STRIP FV- | 1     | 1                         |  |  |  |       |                      |
|      | Q152004000 | TORNILLO APLASTADO M5x13         | FLAT HEAD SCREW M5X13        | 2     | 2                         |  |  |  |       |                      |
|      | Q232030000 | ARANDELA A5                      | WASHER A5                    | 2     | 2                         |  |  |  |       |                      |
|      | Q162030000 | TUERCA EXAGONAL M5               | HEXAGONAL NUT M5             | 2     | 2                         |  |  |  |       |                      |

| MOD. |            | LAVAVAJILLAS DE APERTURA FRONTAL |                            | ZONA  | PARTE FUNCIONAL ELECTRICA |  |  |  | PLANO | C-1838                 |
|------|------------|----------------------------------|----------------------------|-------|---------------------------|--|--|--|-------|------------------------|
| ITEM | CODIGO     | DENOMINACION                     | TEXTO                      | FI-48 | FI-48 B                   |  |  |  |       | NOTAS                  |
| 19   | Z213008000 | PROGRAMADOR CICLO                | CYCLE PROGRAMMER           | 1     | 1                         |  |  |  |       |                        |
| 19   | Z213067000 | PROGRAMADOR 4 LEVAS 60 HZ        | 4 CAM PROGRAMMER 60 HZ     | 1     | 1                         |  |  |  |       |                        |
|      | Q032021000 | TORNILLO ALOMADO M4x10           | CURVED SCREW M4X10         | 2     | 2                         |  |  |  |       |                        |
|      | Q162020000 | TUERCA EXAGONAL M4               | HEXAGONAL NUT M4           | 2     | 2                         |  |  |  |       |                        |
|      | Z203007000 | CASQUILLO                        | BUSHING                    | 2     | 2                         |  |  |  |       |                        |
| 20   | Z213003000 | CONMUTADOR DE FUNCIONES          | FUNCTIONS SWITCH           | 1     |                           |  |  |  |       |                        |
| 20   | Z223001000 | CONMUTADOR DE FUNCIONES          | FUNCTIONS SWITCH           |       | 1                         |  |  |  |       |                        |
| 21   | Z202918000 | FRENTE COMPLETO                  | COMPLETE FRONT             | 1     | 1                         |  |  |  |       |                        |
|      | 3713500000 | PERFIL CUBREARISTAS PLASTICO     | PLASTIC EDGE COVER PROFILE | 1     | 1                         |  |  |  |       |                        |
| 22   | Z203080000 | PULSADOR MARCHA NEGRO            | BLACK RUN BUTTON           | 1     | 1                         |  |  |  |       |                        |
| 23   | Z203069000 | BOTON DE MANDO                   | CONTROL BUTTON             | 1     | 1                         |  |  |  |       |                        |
| 24   | Z212912000 | EMBELLECEDOR ADHESIVO FI-48      | ADHESIVE TRIM FI-48        | 1     |                           |  |  |  |       |                        |
| 24   | Z222903000 | EMBELLECEDOR ADHES. FI-48 B      | ADHES. TRIM FI-48 B        |       | 1                         |  |  |  |       |                        |
| 25   | Z203601000 | RESISTENCIA TANQUE               | TANK RESISTOR              | 1     | 1                         |  |  |  |       |                        |
| 26   | Z651731000 | CAPERUZA RESISTEN. CALDERIN      | DRUM RESIST. CAP           | 1     | 1                         |  |  |  |       | ELIMINADO 10.04.09     |
| 26   | Z101723000 | CAPERUZA RESISTEN. CALDERIN      | DRUM RESIST. CAP           | 1     | 1                         |  |  |  |       | INTRODUCIDO 10.04.09   |
|      | Q163140000 | TUERCA EXAGONAL M6 LATON         | HEXAGONAL NUT M6 BRASS     | 2     | 2                         |  |  |  |       |                        |
|      | Q012031000 | TORNIL. EXAGONAL M5x10 A.304     | HEXAGONAL BOLT M5X10 A.304 | 2     | 2                         |  |  |  |       |                        |
| 27   | Z201706000 | RESISTENCIA CALDERIN             | DRUM RESISTOR              | 1     | 1                         |  |  |  |       |                        |
| 28   | Q307035000 | JUNTA TORICA AN-36 282333        | O-RING AN-36 282333        | 1     | 1                         |  |  |  |       |                        |
| 29   | Z203047000 | SOPORTE TERMOSTATOS              | THERMOSTAT SUPPORT         | 1     | 1                         |  |  |  |       |                        |
|      | Q012031000 | TORNIL. EXAGONAL M5X10 A.304     | HEXAGONAL BOLT M5X10 A.304 | 2     | 2                         |  |  |  |       |                        |
|      | Q232030000 | ARANDELA A5                      | WASHER A5                  | 2     | 2                         |  |  |  |       |                        |
| 30   | Q152024000 | TORNIL. AVELLANADO M4X8 A304     | COUNTERSUNK BOLT M4X8 A304 | 2     | 2                         |  |  |  |       |                        |
| 31   | Z203014000 | TERMOSTATO CALDERIN              | WASH DRUM THERMOSTAT       | 1     | 1                         |  |  |  |       | ELIMINADO 01.11.2012   |
| 31   | 12040858   | TERMOSTATO CALDERIN              | WASH DRUM THERMOSTAT       | 1     | 1                         |  |  |  |       | INTRODUCIDO 01.11.2012 |
| 32   | Z213014000 | LIMITADOR TECASA P.              | LIMITER TECASA P.          | 1     | 1                         |  |  |  |       |                        |
| 33   | Z203060000 | AMARRE LIMITADOR TECASA          | LIMITER FASTENING TECASA   | 1     | 1                         |  |  |  |       |                        |
| 34   | N503017000 | SOPORTE TERMOSTATO 1001713       | THERMOSTAT SUPPORT 1001713 | 1     | 1                         |  |  |  |       |                        |
| 35   | Z718405000 | TERMOSTATO DOBLE                 | DOUBLE THERMOSTAT          | 1     | 1                         |  |  |  |       |                        |
| 36   | Z603602000 | SOPORTE RESISTENCIA TANQUE       | TANK RESISTOR SUPPORT      | 1     | 1                         |  |  |  |       |                        |



ITEM MARCADO EN COLOR = REPUESTO RECOMENDADO  
 COLOURED ITEM = RECOMMENDED SPARE PART

|         |                    |         |                      |                           |        |                                       |
|---------|--------------------|---------|----------------------|---------------------------|--------|---------------------------------------|
| N plano | Firma              | Fecha   | Aparato              | PARTE FUNCIONAL ELECTRICA | Lamina | Fagor Industrial S.Coop. <b>FAGOR</b> |
| C-1839  | <i>[Signature]</i> | 2007-06 | LAVAVAJILLAS FI-48 D |                           | 11     | Oñate                                 |

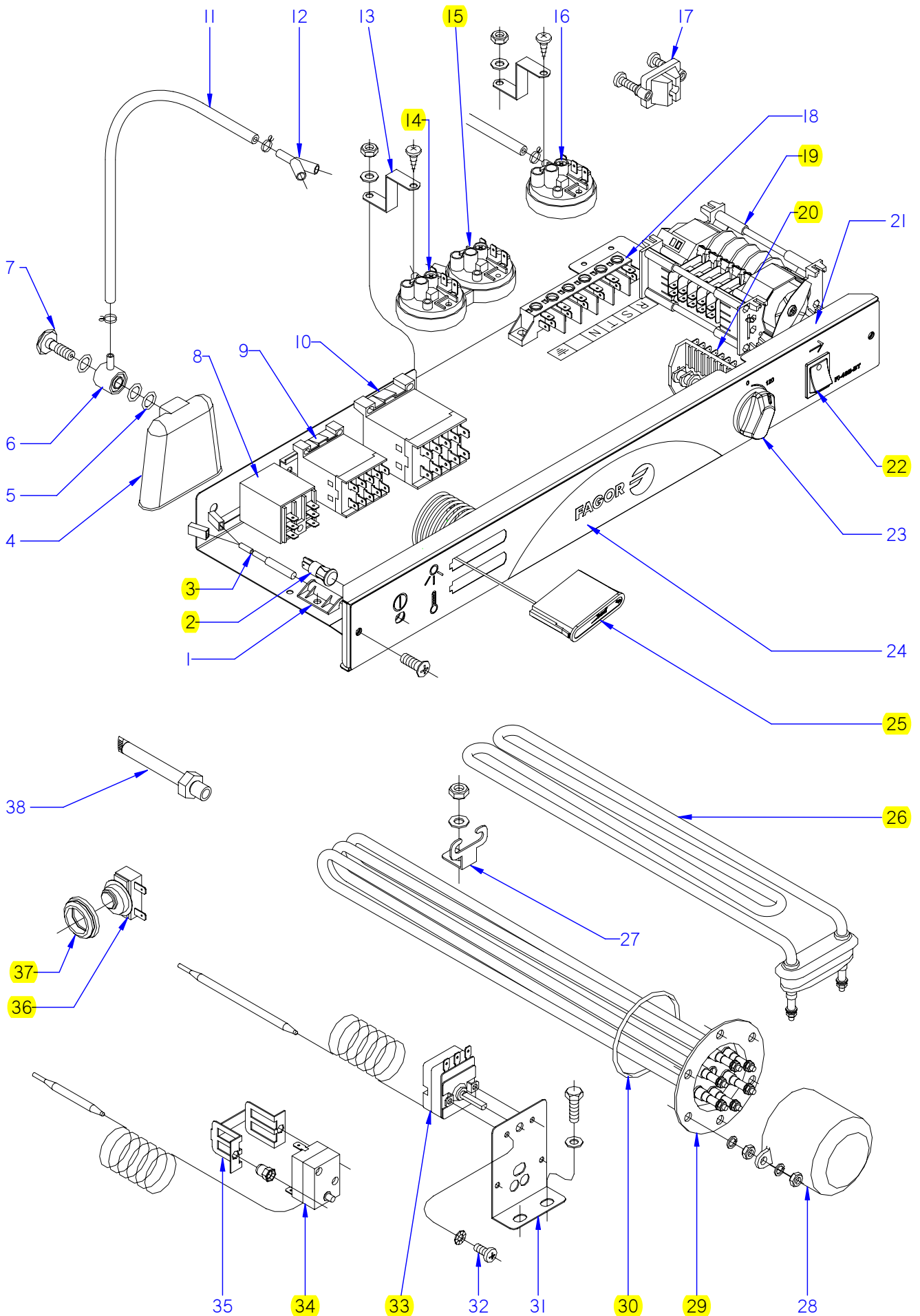
| MOD. |            | LAVAVAJILLAS DE APERTURA FRONTAL |                              | ZONA    | PARTE FUNCIONAL ELECTRICA |  |  |  |  | PLANO | C-1839               |
|------|------------|----------------------------------|------------------------------|---------|---------------------------|--|--|--|--|-------|----------------------|
| ITEM | CODIGO     | DENOMINACION                     | TEXTO                        | FI-48 D |                           |  |  |  |  |       | NOTAS                |
| 1    | Z203010000 | AMARRE INTERRUPT. MAGNETICO      | MAGNETIC SWITCH FASTENER     | 1       |                           |  |  |  |  |       |                      |
|      | Q152004000 | TORNIL, APLASTADO M5x13 A304     | FLAT HEADED BOLT M5x13 A304  | 1       |                           |  |  |  |  |       |                      |
|      | Q232030000 | ARANDELA A5                      | WASHER A5                    | 1       |                           |  |  |  |  |       |                      |
|      | Q162030000 | TUERCA EXAGONAL M5               | HEXAGONAL NUT M5             | 1       |                           |  |  |  |  |       |                      |
| 2    | R693056000 | PILOTO AMBAR 41227000A4          | AMBER PILOT 41227000A4       | 2       |                           |  |  |  |  |       |                      |
| 3    | Z203009000 | INTERRUPTOR MAGNETICO            | MAGNETIC SWITCH              | 1       |                           |  |  |  |  |       |                      |
| 4    | Z203011000 | CAMARA PRESOSTATO                | PRESSURE SWITCH              | 1       |                           |  |  |  |  |       |                      |
| 5    | Q307003000 | JUNTA TORICA 16.01X10.77X2.62    | O-RING 16.01X10.77X2.62      | 3       |                           |  |  |  |  |       |                      |
| 6    | Z203012000 | EMPALME PRESOSTATO               | PRESSURE SWITCH CONNEX       | 1       |                           |  |  |  |  |       |                      |
| 7    | Z203013000 | TORNILLO PRESOSTATO              | PRESSURE SWITCH BOLT         | 1       |                           |  |  |  |  |       |                      |
| 8    | Z203062000 | RELE 230V. 16A 50-60 HZ          | RELAY 230V. 16A 50-60 HZ     | 1       |                           |  |  |  |  |       |                      |
|      | Q162050000 | TUERCA EXAGONAL M8x1 INOX.       | HEXAGONAL NUT M8x1 INOX.     | 1       |                           |  |  |  |  |       |                      |
|      | Q261050000 | ARANDELA MUELLE A8               | SPRING WASHER A8             | 1       |                           |  |  |  |  |       |                      |
| 9    | Z213007000 | CONTACTOR 230 V. 50-60 HZ        | CONTACTOR 230 V. 50-60 HZ    | 1       |                           |  |  |  |  |       | ELIMINADO 01.11.08   |
| 9    | Z203050000 | CONTACTOR SIRIUS 3R 230V50-60    | CONTACTOR SIRIUS 3R 230V50-  | 1       |                           |  |  |  |  |       | INTRODUCIDO 01.11.08 |
| 10   | Z203050000 | CONTACTOR SIRIUS 3R 230V50-60    | CONTACTOR SIRIUS 3R 230V50-  | 1       |                           |  |  |  |  |       |                      |
| 11   | 3702400000 | TUBO GOMA NEGRO Ø 8*4            | BLACK RUBBER PIPE Ø 8*4      | 1       |                           |  |  |  |  |       |                      |
|      | P102154000 | BRIDA ELASTICA TUBO              | ELASTIC PIPE FLANGE          | 2       |                           |  |  |  |  |       |                      |
| 12   | Z602923000 | SOPORTE PRESOSTATO               | PRESSURE SWITCH SUPPORT      | 1       |                           |  |  |  |  |       |                      |
|      | Q082032000 | TORNILLO ALOMADO BZ-3,5X9,5      | CURVED SCREW BZ-3.5x9.5      | 1       |                           |  |  |  |  |       |                      |
|      | Q152004000 | TORNILLO APLASTADO M5x13         | FLAT HEAD SCREW M5X13        | 1       |                           |  |  |  |  |       |                      |
|      | Q232030000 | ARANDELA A5                      | WASHER A5                    | 1       |                           |  |  |  |  |       |                      |
|      | Q162030000 | TUERCA EXAGONAL M5               | HEXAGONAL NUT M5             | 1       |                           |  |  |  |  |       |                      |
| 13   | Z203023000 | PRESOSTATO SIMPLE PVS            | SIMPLE PVS PRESSURE SWITCH   | 1       |                           |  |  |  |  |       |                      |
| 14   | Z203020000 | RETENEDOR DE CABLE               | CABLE HOLDER                 | 1       |                           |  |  |  |  |       |                      |
| 15   | R253044000 | REGLETA AUXILIAR FV-122          | AUXILIARY TERMINAL STRIP FV- | 1       |                           |  |  |  |  |       |                      |
|      | Z213005000 | ROTULO ADHESIVO                  | ADHESIVE LABEL               | 1       |                           |  |  |  |  |       |                      |
| 16   | Z613003000 | PROGRAMADOR REGENERACION         | REGENERATION PROGRAMMER      | 1       |                           |  |  |  |  |       |                      |
|      | Q032021000 | TORNILLO ALOMADO M4x10           | CURVED SCREW M4X10           | 2       |                           |  |  |  |  |       |                      |
|      |            |                                  |                              |         |                           |  |  |  |  |       |                      |
|      |            |                                  |                              |         |                           |  |  |  |  |       |                      |



| MOD. |            | LAVAVAJILLAS DE APERTURA FRONTAL |                            | ZONA    | PARTE FUNCIONAL ELECTRICA |  |  |  |  | PLANO | C-1839                 |
|------|------------|----------------------------------|----------------------------|---------|---------------------------|--|--|--|--|-------|------------------------|
| ITEM | CODIGO     | DENOMINACION                     | TEXTO                      | FI-48 D |                           |  |  |  |  |       | NOTAS                  |
| 17   | Z213008000 | PROGRAMADOR CICLO                | CYCLE PROGRAMMER 50 HZ     | 1       |                           |  |  |  |  |       |                        |
|      | Q032021000 | TORNILLO ALOMADO M4x10           | CURVED SCREW M4X10         | 2       |                           |  |  |  |  |       |                        |
|      | Q162020000 | TUERCA EXAGONAL M4               | HEXAGONAL NUT M4           | 2       |                           |  |  |  |  |       |                        |
|      | Z203007000 | CASQUILLO                        | BUSHING                    | 2       |                           |  |  |  |  |       |                        |
| 18   | Z223001000 | CONMUTADOR DE FUNCIONES          | FUNCTIONS SWITCH           | 1       |                           |  |  |  |  |       |                        |
| 19   | Z202918000 | FRENTE COMPLETO                  | COMPLETE FRONT             | 1       |                           |  |  |  |  |       |                        |
|      | Q152004000 | TORNILLO APLASTADO M5x13         | FLAT HEAD SCREW M5X13      | 2       |                           |  |  |  |  |       |                        |
|      | 3713500000 | PERFIL CUBREARISTAS PLASTICO     | PLASTIC EDGE COVER PROFILE | 1       |                           |  |  |  |  |       |                        |
| 20   | Z203080000 | PULSADOR MARCHA NEGRO            | BLACK RUN BUTTON           | 1       |                           |  |  |  |  |       |                        |
| 21   | Z203070000 | PULSADOR NEGRO                   | BLACK BUTTON               | 1       |                           |  |  |  |  |       |                        |
|      | Q162020000 | TUERCA EXAGONAL M4               | HEXAGONAL NUT M4           | 2       |                           |  |  |  |  |       |                        |
| 22   | Z203069000 | BOTON DE MANDO                   | CONTROL BUTTON             | 1       |                           |  |  |  |  |       |                        |
| 23   | Z212914000 | EMBELLECEDOR ADHESIV. FI-48D     | ADHES. TRIM FI-48 D        | 1       |                           |  |  |  |  |       |                        |
|      | Q152024000 | TORNIL. AVELLANADO M4X8 A304     | COUNTERSUNK BOLT M4X8 A304 | 2       |                           |  |  |  |  |       |                        |
| 24   | Z203601000 | RESISTENCIA TANQUE               | TANK RESISTOR              | 1       |                           |  |  |  |  |       |                        |
| 25   | Z651731000 | CAPERUZA RESISTEN. CALDERIN      | DRUM RESIST. CAP           | 1       |                           |  |  |  |  |       | ELIMINADO 10.04.09     |
| 25   | Z101723000 | CAPERUZA RESISTEN. CALDERIN      | DRUM RESIST. CAP           | 1       |                           |  |  |  |  |       | INTRODUCIDO 10.04.09   |
|      | Q163140000 | TUERCA EXAGONAL M6 LATON         | HEXAGONAL NUT M6 BRASS     | 2       |                           |  |  |  |  |       |                        |
|      | Q012031000 | TORNIL. EXAGONAL M5x10 A.304     | HEXAGONAL BOLT M5X10 A.304 | 2       |                           |  |  |  |  |       |                        |
|      | Q232030000 | ARANDELA A5                      | WASHER A5                  | 2       |                           |  |  |  |  |       |                        |
| 26   | Z241701000 | RESISTENCIA CALDERIN             | DRUM RESISTOR              | 1       |                           |  |  |  |  |       |                        |
|      | Q221305000 | TUERCA EX.AUTO M4 ZINCADA        | EX.AUTO NUT M4 ZINC-COATED | 6       |                           |  |  |  |  |       |                        |
|      | Q163140000 | TUERCA EXAGONAL M6 LATON         | HEXAGONAL NUT M6 BRASS     | 6       |                           |  |  |  |  |       |                        |
|      | Q262040000 | ARANDELA GROW. A6 A.304          | WASHER GROW. A6 A.304      | 6       |                           |  |  |  |  |       |                        |
| 27   | Q307035000 | JUNTA TORICA AN-36 282333        | O-RING AN-36 282333        | 1       |                           |  |  |  |  |       |                        |
| 28   | Z203047000 | SOPORTE TERMOSTATOS              | THERMOSTAT SUPPORT         | 1       |                           |  |  |  |  |       |                        |
|      | Q012031000 | TORNIL. EXAGONAL M5X10 A.304     | HEXAGONAL BOLT M5X10 A.304 | 2       |                           |  |  |  |  |       |                        |
|      | Q232030000 | ARANDELA A5                      | WASHER A5                  | 2       |                           |  |  |  |  |       |                        |
| 29   | Q152024000 | TORNIL. AVELLANADO M4X8 A304     | COUNTERSUNK BOLT M4X8 A304 | 2       |                           |  |  |  |  |       |                        |
| 30   | Z203014000 | TERMOSTATO CALDERIN              | WASH DRUM THERMOSTAT       | 1       |                           |  |  |  |  |       | ELIMINADO 01.11.2012   |
| 30   | 12040858   | TERMOSTATO CALDERIN              | WASH DRUM THERMOSTAT       | 1       |                           |  |  |  |  |       | INTRODUCIDO 01.11.2012 |

|      |                                  |      |                           |       |        |
|------|----------------------------------|------|---------------------------|-------|--------|
| MOD. | LAVAVAJILLAS DE APERTURA FRONTAL | ZONA | PARTE FUNCIONAL ELECTRICA | PLANO | C-1839 |
|------|----------------------------------|------|---------------------------|-------|--------|

| ITEM | CODIGO     | DENOMINACION                 | TEXTO                      | FI-48 D |  |  |  |  |  |  | NOTAS |
|------|------------|------------------------------|----------------------------|---------|--|--|--|--|--|--|-------|
| 31   | Z213014000 | LIMITADOR TECASA P.          | LIMITER TECASA P.          | 1       |  |  |  |  |  |  |       |
| 32   | Z203060000 | AMARRE LIMITADOR TECASA      | LIMITER FASTENING TECASA   | 1       |  |  |  |  |  |  |       |
|      | Q221341000 | REMACHE EXAGONAL M4          | HEXAGONAL RIVET M4         | 2       |  |  |  |  |  |  |       |
|      | Q152024000 | TORNIL. AVELLANADO M4X8 A304 | COUNTERSUNK BOLT M4X8 A304 | 2       |  |  |  |  |  |  |       |
| 33   | N503017000 | SOPORTE TERMOSTATO 1001713   | THERMOSTAT SUPPORT 100171  | 1       |  |  |  |  |  |  |       |
| 34   | Z718405000 | TERMOSTATO DOBLE             | DOUBLE THERMOSTAT          | 1       |  |  |  |  |  |  |       |
| 35   | Z603602000 | SOPORTE RESISTENCIA TANQUE   | TANK RESISTOR SUPPORT      | 1       |  |  |  |  |  |  |       |
|      | Q232040000 | ARANDELA A6                  | WASHER A6                  | 1       |  |  |  |  |  |  |       |
|      | Q162040000 | TUERCA EXAGONAL M6           | HEXAGONAL NUT M6           | 1       |  |  |  |  |  |  |       |
|      |            |                              |                            |         |  |  |  |  |  |  |       |
|      |            |                              |                            |         |  |  |  |  |  |  |       |
|      |            |                              |                            |         |  |  |  |  |  |  |       |
|      |            |                              |                            |         |  |  |  |  |  |  |       |
|      |            |                              |                            |         |  |  |  |  |  |  |       |
|      |            |                              |                            |         |  |  |  |  |  |  |       |
|      |            |                              |                            |         |  |  |  |  |  |  |       |
|      |            |                              |                            |         |  |  |  |  |  |  |       |
|      |            |                              |                            |         |  |  |  |  |  |  |       |
|      |            |                              |                            |         |  |  |  |  |  |  |       |
|      |            |                              |                            |         |  |  |  |  |  |  |       |
|      |            |                              |                            |         |  |  |  |  |  |  |       |
|      |            |                              |                            |         |  |  |  |  |  |  |       |
|      |            |                              |                            |         |  |  |  |  |  |  |       |
|      |            |                              |                            |         |  |  |  |  |  |  |       |
|      |            |                              |                            |         |  |  |  |  |  |  |       |
|      |            |                              |                            |         |  |  |  |  |  |  |       |



ITEM MARCADO EN COLOR = REPUESTO RECOMENDADO  
 COLOURED ITEM = RECOMMENDED SPARE PART

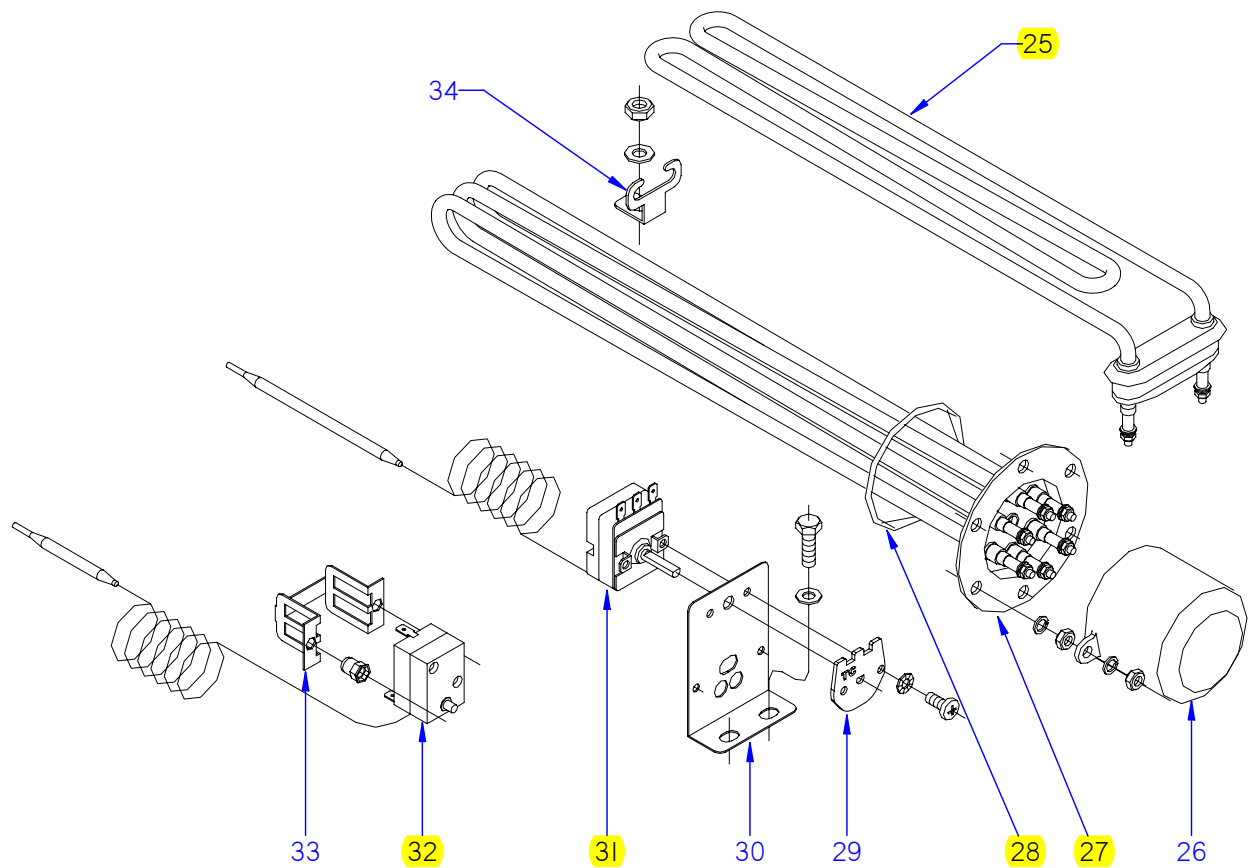
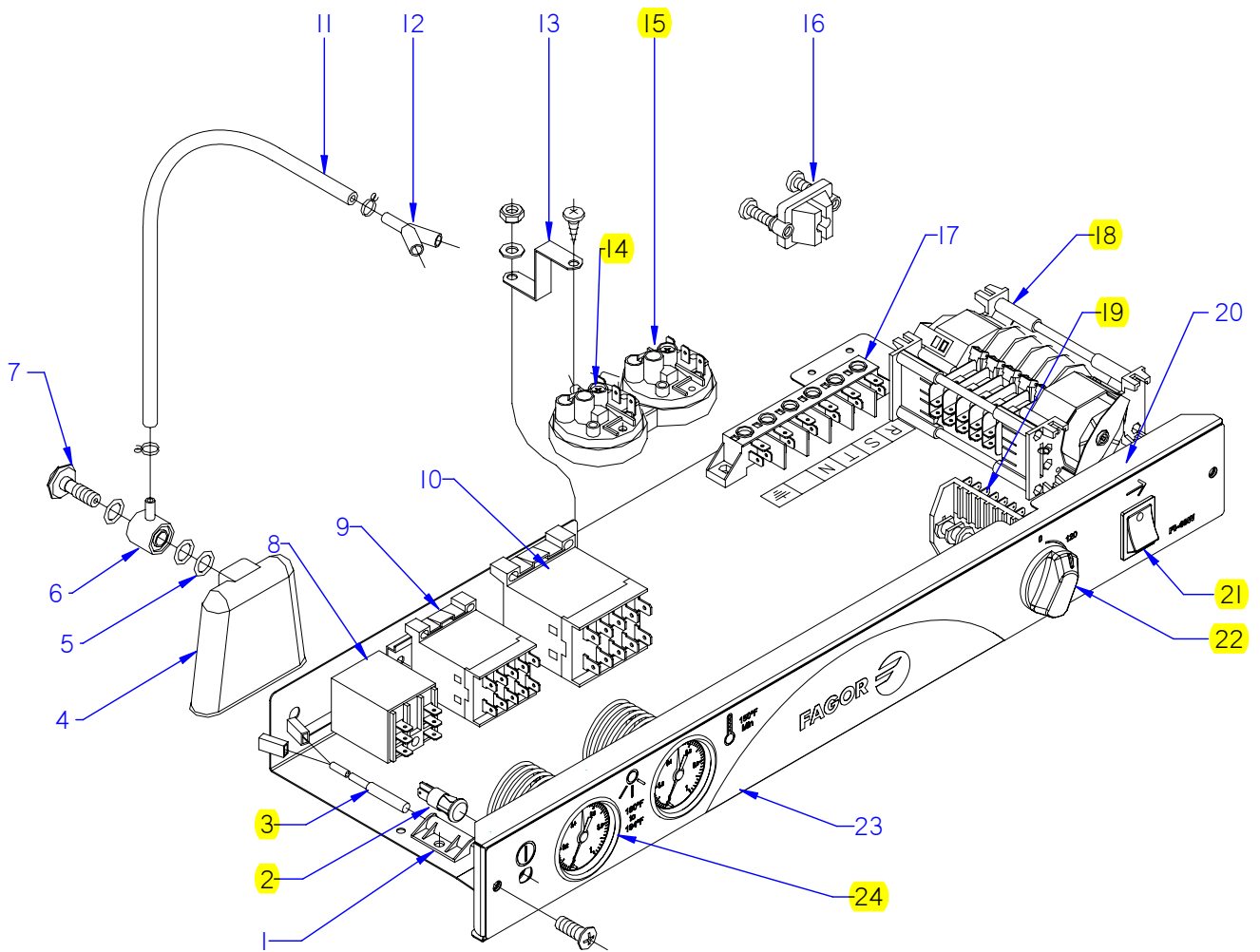
|         |                    |         |                               |                           |        |                                       |
|---------|--------------------|---------|-------------------------------|---------------------------|--------|---------------------------------------|
| N plano | Firma              | Fecha   | Aparato                       | PARTE FUNCIONAL ELECTRICA | Lamina | Fagor Industrial S.Coop. <b>FAGOR</b> |
| C-1840  | <i>[Signature]</i> | 2007-06 | LAVAVAJ. FI-48 CLINIC; B-BTUK |                           | 12     | Oñate                                 |

| MOD. |            | LAVAVAJILLAS DE APERTURA FRONTAL |                               | ZONA    | PARTE FUNCIONAL ELECTRICA |                 |  | PLANO | C-1840 |                      |
|------|------------|----------------------------------|-------------------------------|---------|---------------------------|-----------------|--|-------|--------|----------------------|
| ITEM | CODIGO     | DENOMINACION                     | TEXTO                         | FI-48 C | FI-48 B-BTUK              | FI-48 HY CLINIC |  |       |        | NOTAS                |
| 1    | Z203010000 | AMARRE INTERRUPT. MAGNETICO      | MAGNETIC SWITCH FASTENER      | 1       | 1                         | 1               |  |       |        |                      |
|      | Q152004000 | TORNIL, APLASTADO M5x13 A304     | FLAT HEADED BOLT M5x13 A304   | 1       | 1                         | 1               |  |       |        |                      |
|      | Q232030000 | ARANDELA A5                      | WASHER A5                     | 1       | 1                         | 1               |  |       |        |                      |
|      | Q162030000 | TUERCA EXAGONAL M5               | HEXAGONAL NUT M5              | 1       | 1                         | 1               |  |       |        |                      |
| 2    | R693056000 | PILOTO AMBAR 41227000A4          | AMBER PILOT 41227000A4        | 1       | 1                         | 1               |  |       |        |                      |
| 3    | Z203009000 | INTERRUPTOR MAGNETICO            | MAGNETIC SWITCH               | 1       | 1                         | 1               |  |       |        |                      |
| 4    | Z203011000 | CAMARA PRESOSTATO                | PRESSURE SWITCH               | 1       | 1                         | 1               |  |       |        |                      |
| 5    | Q307003000 | JUNTA TORICA 16.01X10.77X2.62    | O-RING 16.01X10.77X2.62       | 3       | 3                         | 3               |  |       |        |                      |
| 6    | Z203012000 | EMPALME PRESOSTATO               | PRESSURE SWITCH CONNEX        | 1       | 1                         | 1               |  |       |        |                      |
| 7    | Z203013000 | TORNILLO PRESOSTATO              | PRESSURE SWITCH BOLT          | 1       | 1                         | 1               |  |       |        |                      |
| 8    | Z203062000 | RELE 230V. 16A 50-60 HZ          | RELAY 230V. 16A 50-60 HZ      | 1       | 1                         | 1               |  |       |        |                      |
| 9    | Z213007000 | CONTACTOR 230 V. 50-60 HZ        | CONTACTOR 230 V. 50-60 HZ     | 1       | 1                         | 1               |  |       |        | ELIMINADO 01.11.08   |
| 9    | Z203050000 | CONTACTOR SIRIUS 3R 230V50-60    | CONTACTOR SIRIUS 3R 230V50-   | 1       | 1                         | 1               |  |       |        | INTRODUCIDO 01.11.08 |
| 10   | Z203050000 | CONTACTOR SIRIUS 3R 230V50-60    | CONTACTOR SIRIUS 3R 230V50-   | 1       | 1                         | 1               |  |       |        |                      |
| 11   | 3702400000 | TUBO GOMA NEGRO Ø 8*4            | BLACK RUBBER PIPE Ø 8*4       | 1       | 1                         | 1               |  |       |        |                      |
|      | P102154000 | BRIDA ELASTICA TUBO              | ELASTIC PIPE FLANGE           | 2       | 2                         | 2               |  |       |        |                      |
| 12   | Z103077000 | RACORD EN Y                      | Y-CONNECTION                  | 1       | 1                         | 1               |  |       |        |                      |
| 13   | Z602923000 | SOPORTE PRESOSTATO               | PRESSURE SWITCH SUPPORT       | 2       | 2                         | 2               |  |       |        |                      |
|      | Q082032000 | TORNILLO ALOMADO BZ-3,5X9,5      | CURVED SCREW BZ-3.5x9.5       | 2       | 2                         | 2               |  |       |        |                      |
|      | Q152004000 | TORNILLO APLASTADO M5x13         | FLAT HEAD SCREW M5X13         | 2       | 2                         | 2               |  |       |        |                      |
|      | Q232030000 | ARANDELA A5                      | WASHER A5                     | 2       | 2                         | 2               |  |       |        |                      |
|      | Q162030000 | TUERCA EXAGONAL M5               | HEXAGONAL NUT M5              | 2       | 2                         | 2               |  |       |        |                      |
| 14   | Z203023000 | PRESOSTATO SIMPLE PVS            | SIMPLE PVS PRESSURE SWITCH    | 1       | 1                         | 1               |  |       |        |                      |
| 15   | Z223005000 | PRESOSTATO SIMPLE P.V.S.         | SIMPLE P.V.S. PRESSURE SWITCH | 1       | 1                         | 1               |  |       |        |                      |
| 16   | Z213059000 | TRIPLE PRESOSTATO 40-120-150     | TRIPLE PRESSURE SWITCH 40-1   | -       | 1                         | 1               |  |       |        |                      |
|      | Q232040000 | ARANDELA A6                      | WASHER A6                     | -       | 1                         | 1               |  |       |        |                      |
|      | Q162040000 | TUERCA EXAGONAL M6               | HEXAGONAL NUT M6              | -       | 1                         | 1               |  |       |        |                      |
| 17   | Z203020000 | RETENEDOR DE CABLE               | CABLE HOLDER                  | 1       | 1                         | 1               |  |       |        |                      |
|      |            |                                  |                               |         |                           |                 |  |       |        |                      |
|      |            |                                  |                               |         |                           |                 |  |       |        |                      |
|      |            |                                  |                               |         |                           |                 |  |       |        |                      |

| MOD. |            | LAVAVAJILLAS DE APERTURA FRONTAL |                              | ZONA    | PARTE FUNCIONAL ELECTRICA |                 |  | PLANO | C-1840 |                      |
|------|------------|----------------------------------|------------------------------|---------|---------------------------|-----------------|--|-------|--------|----------------------|
| ITEM | CODIGO     | DENOMINACION                     | TEXTO                        | FI-48 C | FI-48 B-BTUK              | FI-48 HY CLINIC |  |       |        | NOTAS                |
| 18   | R253044000 | REGLETA AUXILIAR FV-122          | AUXILIARY TERMINAL STRIP FV- | 1       | 1                         | 1               |  |       |        |                      |
|      | Z213005000 | ROTULO ADHESIVO                  | ADHESIVE LABEL               | 1       | 1                         | 1               |  |       |        |                      |
|      | Q152004000 | TORNILLO APLASTADO M5x13         | FLAT HEAD SCREW M5X13        | 2       | 2                         | 2               |  |       |        |                      |
|      | Q232030000 | ARANDELA A5                      | WASHER A5                    | 2       | 2                         | 2               |  |       |        |                      |
|      | Q162030000 | TUERCA EXAGONAL M5               | HEXAGONAL NUT M5             | 2       | 2                         | 2               |  |       |        |                      |
| 19   | Z213002000 | PROGRAMADOR CICLO                | CYCLE PROGRAMMER             | 1       | 1                         | 1               |  |       |        |                      |
| 19   | Z213067000 | PROGRAMADOR 4 LEVAS 60 HZ        | 4 CAM PROGRAMMER 60 HZ       | 1       | -                         | -               |  |       |        |                      |
|      | Q032021000 | TORNILLO ALOMADO M4x10           | CURVED SCREW M4X10           | 2       | 2                         | 2               |  |       |        |                      |
|      | Q162020000 | TUERCA EXAGONAL M4               | HEXAGONAL NUT M4             | 2       | 2                         | 2               |  |       |        |                      |
|      | Z203007000 | CASQUILLO                        | BUSHING                      | 2       | 2                         | 2               |  |       |        |                      |
|      | Q041324000 | TORN. AVELLA. M4x25 H.ZINCADO    | COUNTERSUNK NUT M4x25 H.ZIN  | 2       | 2                         | 2               |  |       |        |                      |
| 20   | Z223001000 | CONMUTADOR DE FUNCIONES          | FUNCTIONS SWITCH             | 1       | 1                         | 1               |  |       |        |                      |
| 21   | Z202918000 | FRENTE COMPLETO                  | COMPLETE FRONT               | 1       | 1                         | 1               |  |       |        |                      |
|      | Q152004000 | TORNILLO APLASTADO M5x13         | FLAT HEAD SCREW M5X13        | 2       | 2                         | 2               |  |       |        |                      |
| 22   | Z203080000 | PULSADOR MARCHA NEGRO            | BLACK RUN BUTTON             | 1       | 1                         | 1               |  |       |        |                      |
| 23   | Z203069000 | BOTON DE MANDO                   | CONTROL BUTTON               | 1       | 1                         | 1               |  |       |        |                      |
| 24   | Z208918000 | EMBELLE. ADHESIVO FI-48 C        | ADHESIVE TRIM FI-48          | 1       | -                         | -               |  |       |        |                      |
| 24   | Z228914000 | EMBELLEC. ADHESIVO FI-48 B-BT    | TRIM ADHESIVE FI-48 B-BT     | -       | 1                         | -               |  |       |        |                      |
| 24   | Z227415000 | EMBELLE. ADHESIVO FI-48 CLINIC   | ADHESIVE TRIM FI-48 CLINIC   | -       | -                         | 1               |  |       |        |                      |
|      | Q152024000 | TORNIL. AVELLANADO M4X8 A304     | COUNTERSUNK BOLT M4X8 A304   | 2       | 2                         | 2               |  |       |        |                      |
| 25   | Z203072000 | INDICADOR ANALOGICO              | ANALOG INDICATOR             | 2       | 2                         | 2               |  |       |        |                      |
| 26   | Z203601000 | RESISTENCIA TANQUE               | TANK RESISTOR                | 1       | 1                         | 1               |  |       |        |                      |
| 27   | Z603602000 | SOPORTE RESISTENCIA TANQUE       | TANK RESISTOR SUPPORT        | 1       | 1                         | 1               |  |       |        |                      |
|      | Q232040000 | ARANDELA A6                      | WASHER A6                    | 1       | 1                         | 1               |  |       |        |                      |
|      | Q162040000 | TUERCA EXAGONAL M6               | HEXAGONAL NUT M6             | 1       | 1                         | 1               |  |       |        |                      |
| 28   | Z651731000 | CAPERUZA RESISTEN. CALDERIN      | DRUM RESIST. CAP             | 1       | 1                         | 1               |  |       |        | ELIMINADO 10.04.09   |
| 28   | Z101723000 | CAPERUZA RESISTEN. CALDERIN      | DRUM RESIST. CAP             | 1       | 1                         | 1               |  |       |        | INTRODUCIDO 10.04.09 |
|      | Q163140000 | TUERCA EXAGONAL M6 LATON         | HEXAGONAL NUT M6 BRASS       | 2       | 2                         | 2               |  |       |        |                      |
|      | Q012031000 | TORNIL. EXAGONAL M5x10 A.304     | HEXAGONAL BOLT M5X10 A.304   | 2       | 2                         | 2               |  |       |        |                      |
|      | Q232030000 | ARANDELA A5                      | WASHER A5                    | 2       | 2                         | 2               |  |       |        |                      |
|      | Q012063000 | TORNIL. EXAGONAL M10x20 A.304    | HEXAGONAL BOLT M10X20 A.304  | 2       | 2                         | 2               |  |       |        |                      |

|      |                                  |      |                           |       |        |
|------|----------------------------------|------|---------------------------|-------|--------|
| MOD. | LAVAVAJILLAS DE APERTURA FRONTAL | ZONA | PARTE FUNCIONAL ELECTRICA | PLANO | C-1840 |
|------|----------------------------------|------|---------------------------|-------|--------|

| ITEM | CODIGO     | DENOMINACION                 | TEXTO                      | FI-48 C | FI-48 B-BTUK | FI-48 HY CLINIC |  |  |  |  | NOTAS                  |
|------|------------|------------------------------|----------------------------|---------|--------------|-----------------|--|--|--|--|------------------------|
| 29   | Z201706000 | RESISTENCIA CALDERIN         | DRUM RESISTOR              | 1       | 1            | 1               |  |  |  |  |                        |
|      | Q221305000 | TUERCA EX.AUTO M4 ZINCADA    | EX.AUTO NUT M4 ZINC-COATED | 6       | 6            | 6               |  |  |  |  |                        |
|      | Q163140000 | TUERCA EXAGONAL M6 LATON     | HEXAGONAL NUT M6 BRASS     | 6       | 6            | 6               |  |  |  |  |                        |
|      | Q262040000 | ARANDELA GROW. A6 A.304      | WASHER GROW. A6 A.304      | 6       | 6            | 6               |  |  |  |  |                        |
| 30   | Q307048000 | JUNTA TORICA 9.12x16.18x3.53 | O-RING 9.12x16.18x3.53     | 1       | 1            | 1               |  |  |  |  |                        |
| 31   | Z203047000 | SOPORTE TERMOSTATOS          | THERMOSTAT SUPPORT         | 1       | 1            | 1               |  |  |  |  |                        |
|      | Q012031000 | TORNIL. EXAGONAL M5X10 A.304 | HEXAGONAL BOLT M5X10 A.304 | 2       | 2            | 2               |  |  |  |  |                        |
|      | Q232030000 | ARANDELA A5                  | WASHER A5                  | 2       | 2            | 2               |  |  |  |  |                        |
| 32   | Q152024000 | TORNIL. AVELLANADO M4X8 A304 | COUNTERSUNK BOLT M4X8 A304 | 2       | 2            | 2               |  |  |  |  |                        |
| 33   | Z203014000 | TERMOSTATO CALDERIN          | WASH DRUM THERMOSTAT       | 1       | 1            | 1               |  |  |  |  | ELIMINADO 01.11.2012   |
| 33   | 12040858   | TERMOSTATO CALDERIN          | WASH DRUM THERMOSTAT       | 1       | 1            | 1               |  |  |  |  | INTRODUCIDO 01.11.2012 |
| 34   | Z213014000 | LIMITADOR TECASA P.          | LIMITER TECASA P.          | 1       | 1            | 1               |  |  |  |  |                        |
| 35   | Z203060000 | AMARRE LIMITADOR TECASA      | LIMITER FASTENING TECASA   | 1       | 1            | 1               |  |  |  |  |                        |
|      | Q221341000 | REMACHE EXAGONAL M4          | HEXAGONAL RIVET M4         | 2       | 2            | 2               |  |  |  |  |                        |
|      | Q152024000 | TORNIL. AVELLANADO M4X8 A304 | COUNTERSUNK BOLT M4X8 A304 | 2       | 2            | 2               |  |  |  |  |                        |
| 36   | Z718441000 | TERMOSTATO DOBLE W           | DOUBLE THERMOSTAT W        | 1       | —            | 1               |  |  |  |  |                        |
| 36   | Z718441000 | TERMOSTATO DOBLE W           | DOUBLE THERMOSTAT W        | —       | 1            | —               |  |  |  |  | ELIMINADO 03.07.07     |
| 36   | Z718405000 | TERMOSTATO DOBLE             | DOUBLE THERMOSTAT          | —       | 1            | —               |  |  |  |  | INTRODUCIDO 03.07.07   |
| 37   | N503017000 | SOPORTE TERMOSTATO 1001713   | THERMOSTAT SUPPORT 1001713 | 1       | 1            | 1               |  |  |  |  |                        |
| 38   | Z263002000 | VAINA INDICADOR COMPLETA     | COMPLETE INDICATOR SHELL   | 1       | 1            | 1               |  |  |  |  |                        |
|      | Q306024000 | JUNTA TORICA 18x12,5x1,5     | O-RING 18x12.5x1.5         | 1       | 1            | 1               |  |  |  |  |                        |
|      | Q162070000 | TUERCA EXAGONAL M12          | HEXAGONAL NUT M12          | 1       | 1            | 1               |  |  |  |  |                        |
|      |            |                              |                            |         |              |                 |  |  |  |  |                        |
|      |            |                              |                            |         |              |                 |  |  |  |  |                        |
|      |            |                              |                            |         |              |                 |  |  |  |  |                        |
|      |            |                              |                            |         |              |                 |  |  |  |  |                        |
|      |            |                              |                            |         |              |                 |  |  |  |  |                        |
|      |            |                              |                            |         |              |                 |  |  |  |  |                        |
|      |            |                              |                            |         |              |                 |  |  |  |  |                        |
|      |            |                              |                            |         |              |                 |  |  |  |  |                        |



ITEM MARCADO EN COLOR = REPUESTO RECOMENDADO  
 COLOURED ITEM = RECOMMENDED SPARE PART

|         |                    |         |                     |                           |        |                                       |
|---------|--------------------|---------|---------------------|---------------------------|--------|---------------------------------------|
| N plano | Firma              | Fecha   | Aparato             | PARTE FUNCIONAL ELECTRICA | Lamina | Fagor Industrial S.Coop. <b>FAGOR</b> |
| C-1841  | <i>[Signature]</i> | 2007-06 | LAVAVAJILLAS FI-48W |                           | 13     | Oñate                                 |

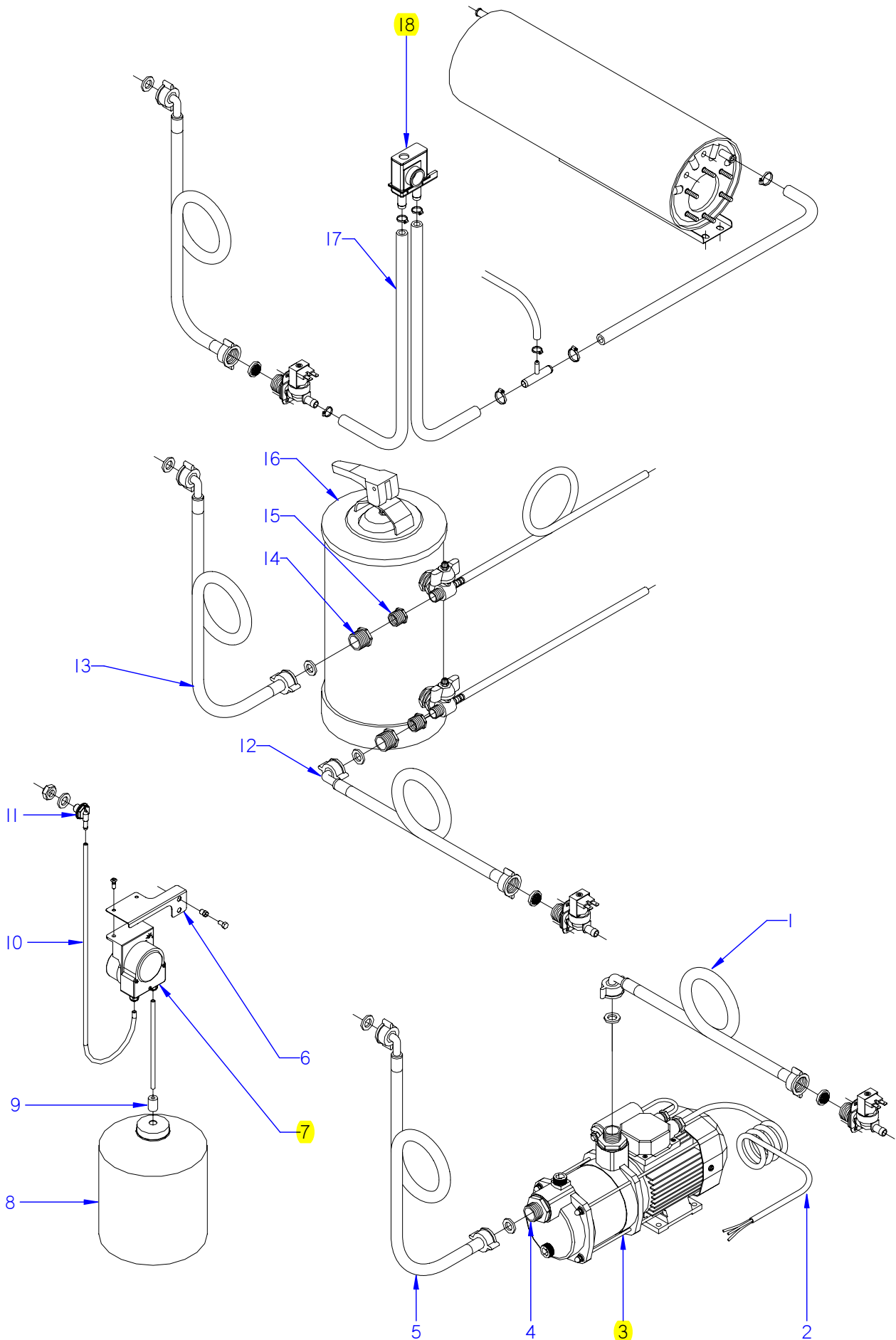
| MOD. |            | LAVAVAJILLAS DE APERTURA FRONTAL |                              | ZONA    | PARTE FUNCIONAL ELECTRICA |  |  |  |  | PLANO | C-1841               |
|------|------------|----------------------------------|------------------------------|---------|---------------------------|--|--|--|--|-------|----------------------|
| ITEM | CODIGO     | DENOMINACION                     | TEXTO                        | FI-48 W |                           |  |  |  |  |       | NOTAS                |
| 1    | Z203010000 | AMARRE INTERRUPT. MAGNETICO      | MAGNETIC SWITCH FASTENER     | 1       |                           |  |  |  |  |       |                      |
|      | Q152004000 | TORNIL, APLASTADO M5x13 A304     | FLAT HEADED BOLT M5x13 A304  | 1       |                           |  |  |  |  |       |                      |
|      | Q232030000 | ARANDELA A5                      | WASHER A5                    | 1       |                           |  |  |  |  |       |                      |
|      | Q162030000 | TUERCA EXAGONAL M5               | HEXAGONAL NUT M5             | 1       |                           |  |  |  |  |       |                      |
| 2    | R693056000 | PILOTO AMBAR 41227000A4          | AMBER PILOT 41227000A4       | 1       |                           |  |  |  |  |       |                      |
| 2    | R693056000 | PILOTO AMBAR 41227000A4          | AMBER PILOT 41227000A4       | 1       |                           |  |  |  |  |       | INTRODUCIDO 01.01.10 |
| 3    | Z203009000 | INTERRUPTOR MAGNETICO            | MAGNETIC SWITCH              | 1       |                           |  |  |  |  |       |                      |
| 4    | Z203011000 | CAMARA PRESOSTATO                | PRESSURE SWITCH              | 1       |                           |  |  |  |  |       |                      |
| 5    | Q307003000 | JUNTA TORICA 16.01X10.77X2.62    | O-RING 16.01X10.77X2.62      | 3       |                           |  |  |  |  |       |                      |
| 6    | Z203012000 | EMPALME PRESOSTATO               | PRESSURE SWITCH CONNEX       | 1       |                           |  |  |  |  |       |                      |
| 7    | Z203013000 | TORNILLO PRESOSTATO              | PRESSURE SWITCH BOLT         | 1       |                           |  |  |  |  |       |                      |
| 8    | Z203062000 | RELE 230V. 16A 50-60 HZ          | RELAY 230V. 16A 50-60 HZ     | 1       |                           |  |  |  |  |       |                      |
|      | Q162050000 | TUERCA EXAGONAL M8x1 INOX.       | HEXAGONAL NUT M8x1 INOX.     | 1       |                           |  |  |  |  |       |                      |
|      | Q261050000 | ARANDELA MUELLE A8               | SPRING WASHER A8             | 1       |                           |  |  |  |  |       |                      |
| 9    | Z213007000 | CONTACTOR 230 V. 50-60 HZ        | CONTACTOR 230 V. 50-60 HZ    | 1       |                           |  |  |  |  |       | ELIMINADO 01.11.08   |
| 9    | Z203050000 | CONTACTOR SIRIUS 3R 230V50-60    | CONTACTOR SIRIUS 3R 230V50-  | 1       |                           |  |  |  |  |       | INTRODUCIDO 01.11.08 |
| 10   | Z743009000 | CONTAC. SIRIUS 3RT10 16-2AP02    | CONTAC. SIRIUS 3RT10 16-2AP. | 1       |                           |  |  |  |  |       |                      |
|      | Q032021000 | TORNILLO ALOMADO M4x10           | CURVED SCREW M4X10           | 2       |                           |  |  |  |  |       |                      |
|      | Q162020000 | TUERCA EXAGONAL M4               | HEXAGONAL NUT M4             | 2       |                           |  |  |  |  |       |                      |
| 11   | 3702400000 | TUBO GOMA NEGRO Ø 8*4            | BLACK RUBBER PIPE Ø 8*4      | 1       |                           |  |  |  |  |       |                      |
|      | P102154000 | BRIDA ELASTICA TUBO              | ELASTIC PIPE FLANGE          | 2       |                           |  |  |  |  |       |                      |
| 12   | Z103077000 | RACORD EN Y                      | Y-CONNECTION                 | 1       |                           |  |  |  |  |       |                      |
| 13   | Z602923000 | SOPORTE PRESOSTATO               | PRESSURE SWITCH SUPPORT      | 1       |                           |  |  |  |  |       |                      |
|      | Q082032000 | TORNILLO ALOMADO BZ-3,5X9,5      | CURVED SCREW BZ-3.5x9.5      | 1       |                           |  |  |  |  |       |                      |
|      | Q152004000 | TORNILLO APLASTADO M5x13         | FLAT HEAD SCREW M5X13        | 1       |                           |  |  |  |  |       |                      |
|      | Q232030000 | ARANDELA A5                      | WASHER A5                    | 1       |                           |  |  |  |  |       |                      |
|      | Q162030000 | TUERCA EXAGONAL M5               | HEXAGONAL NUT M5             | 1       |                           |  |  |  |  |       |                      |
| 14   | Z203023000 | PRESOSTATO SIMPLE PVS            | SIMPLE PVS PRESSURE SWITCH   | 1       |                           |  |  |  |  |       |                      |
| 15   | Z223005000 | PRESOSTATO SIMPLE P.V.S.         | SIMPLE P.V.S. PRESSURE SWITC | 1       |                           |  |  |  |  |       |                      |
| 16   | Z203020000 | RETENEDOR DE CABLE               | CABLE HOLDER                 | 1       |                           |  |  |  |  |       |                      |



| MOD. |            | LAVAVAJILLAS DE APERTURA FRONTAL |                              | ZONA    | PARTE FUNCIONAL ELECTRICA |  |  |  |  | PLANO | C-1841               |
|------|------------|----------------------------------|------------------------------|---------|---------------------------|--|--|--|--|-------|----------------------|
| ITEM | CODIGO     | DENOMINACION                     | TEXTO                        | FI-48 W |                           |  |  |  |  |       | NOTAS                |
| 17   | R253044000 | REGLETA AUXILIAR FV-122          | AUXILIARY TERMINAL STRIP FV- | 1       |                           |  |  |  |  |       |                      |
|      | Z213005000 | ROTULO ADHESIVO                  | ADHESIVE LABEL               | 1       |                           |  |  |  |  |       |                      |
|      | Q152004000 | TORNILLO APLASTADO M5x13         | FLAT HEAD SCREW M5X13        | 2       |                           |  |  |  |  |       |                      |
|      | Q232030000 | ARANDELA A5                      | WASHER A5                    | 2       |                           |  |  |  |  |       |                      |
|      | Q162030000 | TUERCA EXAGONAL M5               | HEXAGONAL NUT M5             | 2       |                           |  |  |  |  |       |                      |
| 18   | Z258412000 | PROGRAMADOR 60HZ.T.STOP          | PROGRAMMER 60HZ.T.STOP       | 1       |                           |  |  |  |  |       |                      |
| 19   | Z223001000 | CONMUTADOR DE FUNCIONES          | FUNCTIONS SWITCH             | 1       |                           |  |  |  |  |       |                      |
|      | Z203007000 | CASQUILLO                        | BUSHING                      | 2       |                           |  |  |  |  |       |                      |
|      | Q041324000 | TORN. AVELLA. M4x25 H.ZINCADO    | COUNTERSUNK NUT M4x25 H.ZI   | 2       |                           |  |  |  |  |       |                      |
| 20   | Z208908000 | FRENTE COMPLETO AF W             | COMPLETE FRONT AF W          | 1       |                           |  |  |  |  |       |                      |
|      | Q152004000 | TORNILLO APLASTADO M5x13         | FLAT HEAD SCREW M5X13        | 2       |                           |  |  |  |  |       |                      |
|      | 3713500000 | PERFIL CUBREARISTAS PLASTICO     | PLASTIC EDGE COVER PROFILE   | 1       |                           |  |  |  |  |       |                      |
| 21   | Z203080000 | PULSADOR MARCHA NEGRO            | BLACK RUN BUTTON             | 1       |                           |  |  |  |  |       | ELIMINADO 01.01.10   |
| 21   | Z513022000 | PULSADOR NEGRO                   | BLACK BUTTON                 | 1       |                           |  |  |  |  |       | INTRODUCIDO 01.01.10 |
|      | Q032021000 | TORNILLO ALOMADO M4x10           | CURVED SCREW M4X10           | 2       |                           |  |  |  |  |       |                      |
|      | Q162020000 | TUERCA EXAGONAL M4               | HEXAGONAL NUT M4             | 2       |                           |  |  |  |  |       |                      |
| 22   | Z203069000 | BOTON DE MANDO                   | CONTROL BUTTON               | 1       |                           |  |  |  |  |       |                      |
| 23   | Z218901000 | EMBELLECEDOR ADHES. FI-48 W      | ADHES. TRIM FI-48 W          | 1       |                           |  |  |  |  |       |                      |
| 24   | Z273060000 | TERMOMETRO W NSF                 | THERMOMETER W NSF            | 2       |                           |  |  |  |  |       |                      |
| 25   | Z203601000 | RESISTENCIA TANQUE               | TANK RESISTOR                | 1       |                           |  |  |  |  |       |                      |
| 26   | Z651731000 | CAPERUZA RESISTEN. CALDERIN      | DRUM RESIST. CAP             | 1       |                           |  |  |  |  |       | ELIMINADO 10.04.09   |
| 26   | Z101723000 | CAPERUZA RESISTEN. CALDERIN      | DRUM RESIST. CAP             | 1       |                           |  |  |  |  |       | INTRODUCIDO 10.04.09 |
|      | Q163140000 | TUERCA EXAGONAL M6 LATON         | HEXAGONAL NUT M6 BRASS       | 2       |                           |  |  |  |  |       |                      |
|      | Q012031000 | TORNIL. EXAGONAL M5x10 A.304     | HEXAGONAL BOLT M5X10 A.304   | 2       |                           |  |  |  |  |       |                      |
|      | Q232030000 | ARANDELA A5                      | WASHER A5                    | 2       |                           |  |  |  |  |       |                      |
| 27   | Z201720000 | RESISTENCIA W CALDERIN           | DRUM RESISTOR W              | 1       |                           |  |  |  |  |       |                      |
|      | Q221305000 | TUERCA EX.AUTO M4 ZINCADA        | EX.AUTO NUT M4 ZINC-COATED   | 6       |                           |  |  |  |  |       |                      |
|      | Q163140000 | TUERCA EXAGONAL M6 LATON         | HEXAGONAL NUT M6 BRASS       | 6       |                           |  |  |  |  |       |                      |
|      | Q262040000 | ARANDELA GROW. A6 A.304          | WASHER GROW. A6 A.304        | 6       |                           |  |  |  |  |       |                      |
| 28   | Q307035000 | JUNTA TORICA AN-36 282333        | O-RING AN-36 282333          | 1       |                           |  |  |  |  |       |                      |
| 29   | Z208438000 | CHAPA W TC 90°C                  | PLATE W TC 90°C              | 1       |                           |  |  |  |  |       |                      |

|             |   |             |                                  |              |               |
|-------------|---|-------------|----------------------------------|--------------|---------------|
| <b>MOD.</b> | <b>LAVAVAJILLAS DE APERTURA FRONTAL</b> | <b>ZONA</b> | <b>PARTE FUNCIONAL ELECTRICA</b> | <b>PLANO</b> | <b>C-1841</b> |
|-------------|---|-------------|----------------------------------|--------------|---------------|

| ITEM | CODIGO     | DENOMINACION                 | TEXTO                      | FI-48 W |  |  |  |  |  |  | NOTAS                  |
|------|------------|------------------------------|----------------------------|---------|--|--|--|--|--|--|------------------------|
| 30   | Z203047000 | SOPORTE TERMOSTATOS          | THERMOSTAT SUPPORT         | 1       |  |  |  |  |  |  |                        |
|      | Q012031000 | TORNIL. EXAGONAL M5X10 A.304 | HEXAGONAL BOLT M5X10 A.304 | 2       |  |  |  |  |  |  |                        |
|      | Q232030000 | ARANDELA A5                  | WASHER A5                  | 2       |  |  |  |  |  |  |                        |
|      | Q152024000 | TORNIL. AVELLANADO M4X8 A304 | COUNTERSUNK BOLT M4X8 A304 | 6       |  |  |  |  |  |  |                        |
| 31   | Z203014000 | TERMOSTATO CALDERIN          | WASH DRUM THERMOSTAT       | 3       |  |  |  |  |  |  | ELIMINADO 01.11.2012   |
| 31   | 12040858   | TERMOSTATO CALDERIN          | WASH DRUM THERMOSTAT       | 3       |  |  |  |  |  |  | INTRODUCIDO 01.11.2012 |
| 32   | Z213014000 | LIMITADOR TECASA P.          | LIMITER TECASA P.          | 1       |  |  |  |  |  |  |                        |
| 33   | Z203060000 | AMARRE LIMITADOR TECASA      | LIMITER FASTENING TECASA   | 1       |  |  |  |  |  |  |                        |
|      | Q221341000 | REMACHE EXAGONAL M4          | HEXAGONAL RIVET M4         | 2       |  |  |  |  |  |  |                        |
|      | Q152024000 | TORNIL. AVELLANADO M4X8 A304 | COUNTERSUNK BOLT M4X8 A304 | 2       |  |  |  |  |  |  |                        |
| 34   | Z603602000 | SOPORTE RESISTENCIA TANQUE   | TANK RESISTOR SUPPORT      | 1       |  |  |  |  |  |  |                        |
|      | Q232040000 | ARANDELA A6                  | WASHER A6                  | 1       |  |  |  |  |  |  |                        |
|      | Q162040000 | TUERCA EXAGONAL M6           | HEXAGONAL NUT M6           | 1       |  |  |  |  |  |  |                        |
|      |            |                              |                            |         |  |  |  |  |  |  |                        |
|      |            |                              |                            |         |  |  |  |  |  |  |                        |
|      |            |                              |                            |         |  |  |  |  |  |  |                        |
|      |            |                              |                            |         |  |  |  |  |  |  |                        |
|      |            |                              |                            |         |  |  |  |  |  |  |                        |
|      |            |                              |                            |         |  |  |  |  |  |  |                        |
|      |            |                              |                            |         |  |  |  |  |  |  |                        |
|      |            |                              |                            |         |  |  |  |  |  |  |                        |
|      |            |                              |                            |         |  |  |  |  |  |  |                        |
|      |            |                              |                            |         |  |  |  |  |  |  |                        |
|      |            |                              |                            |         |  |  |  |  |  |  |                        |
|      |            |                              |                            |         |  |  |  |  |  |  |                        |
|      |            |                              |                            |         |  |  |  |  |  |  |                        |
|      |            |                              |                            |         |  |  |  |  |  |  |                        |
|      |            |                              |                            |         |  |  |  |  |  |  |                        |
|      |            |                              |                            |         |  |  |  |  |  |  |                        |



ITEM MARCADO EN COLOR = REPUESTO RECOMENDADO  
 COLOURED ITEM = RECOMMENDED SPARE PART

|         |                    |         |                    |            |        |                                       |
|---------|--------------------|---------|--------------------|------------|--------|---------------------------------------|
| N plano | Firma              | Fecha   | Aparato            | ACCESORIOS | Lamina | Fagor Industrial S.Coop. <b>FAGOR</b> |
| C-1842  | <i>(Signature)</i> | 2007-06 | LAVAVAJILLAS FI-48 |            | 14     | Oñate                                 |

| MOD. |                   | LAVAVAJILLAS DE APERTURA FRONTAL  |                                | ZONA  | ACCESORIOS PARA LAVAVAJILLAS |  |  | PLANO | C-1842 |  |
|------|-------------------|-----------------------------------|--------------------------------|-------|------------------------------|--|--|-------|--------|--|
| ITEM | CODIGO            | DENOMINACION                      | TEXTO                          | FI-48 | FI-48 B                      |  |  |       |        |  |
|      | <b>1200000125</b> | <b>KIT BOMBA PRESION</b>          | <b>PRESSURE PUMP KIT</b>       |       |                              |  |  |       |        |  |
| 1    | -                 | MANGUERA DE MAQUINA               | MACHINE HOSE                   | -     | -                            |  |  |       |        |  |
| 2    | Z209510000        | CABLEADO BOMBA PRESION            | PRESSURE PUMP WIRING           | 1     | 1                            |  |  |       |        |  |
| 3    | Z209508000        | BOMBA PRESION PRISMA 15           | PRESSURE PUMP PRISMA 15        | 1     | 1                            |  |  |       |        |  |
| 4    | Z209509000        | MANGUITO                          | HOSE                           | 2     | 2                            |  |  |       |        |  |
| 5    | Z602121000        | MANGUERA ENTRADA AGUA             | WATER INTAKE HOSE              | 1     | 1                            |  |  |       |        |  |
|      | Q306037000        | ARANDELA Ø42.5X32X1.5             | WASHER Ø42.5X32X1.5            | 2     | 2                            |  |  |       |        |  |
|      |                   |                                   |                                |       |                              |  |  |       |        |  |
|      |                   |                                   |                                |       |                              |  |  |       |        |  |
|      | <b>1200000132</b> | <b>KIT DOSIFICADOR DETERGENTE</b> | <b>DETERGENT DISPENSER KIT</b> |       |                              |  |  |       |        |  |
| 6    | Z208434000        | SOPORTE DOSIFICADOR W             | DISPENSER SUPPORT W            | 1     | 1                            |  |  |       |        |  |
|      | Q411304000        | REMACHE AVIBULB Ø4,8              | AVIBULB RIVET Ø4.8             | 2     | 2                            |  |  |       |        |  |
|      | Q221342000        | REMACHE EXAGONAL M5               | HEXAGONAL RIVET M5             | 2     | 2                            |  |  |       |        |  |
|      | Q012031000        | TORNIL.EXAGONAL M5X10 A.304       | HEX BOLT M5X10 A.304           | 2     | 2                            |  |  |       |        |  |
|      | Q232030000        | ARANDELA A5                       | WASHER A5                      | 2     | 2                            |  |  |       |        |  |
|      | Q162030000        | TUERCA EXAGONAL M5                | HEXAGONAL NUT M5               | 2     | 2                            |  |  |       |        |  |
| 7    | Z208903000        | DOSIFIC. DGTE REGULABLE G300      | DETERGENT DISP. ADJUST. G300   | 1     | 1                            |  |  |       |        |  |
| 8    | -                 | GARRAFA DETERGENTE                | DETERGENT CONTAINER            | 1     | 1                            |  |  |       |        |  |
| 9    | Z701152000        | PESO FILTRO                       | FILTER WEIGHT                  | 1     | 1                            |  |  |       |        |  |
| 10   | Z448614000        | CONDUCTO ASPIRACIÓN               | EXTRACTOR PIPE                 | 1     | 1                            |  |  |       |        |  |
| 11   | Z230902000        | PASAMUROS DETERGENTE              | DETERGENT WALL BUSHING         | 1     | 1                            |  |  |       |        |  |
|      | Q306024000        | JUNTA Ø18X12.5X1.5                | SEAL Ø18X12.5X1.5              | 1     | 1                            |  |  |       |        |  |
|      | Q162070000        | TUERCA EXAGONAL M12               | HEXAGONAL NUT M12              | 1     | 1                            |  |  |       |        |  |
| S/Nº | Z208904000        | CABLEADO DOSIFICADOR DTGTE        | DETERGENT DISP. WIRING         | 1     | 1                            |  |  |       |        |  |
|      |                   |                                   |                                |       |                              |  |  |       |        |  |
|      |                   |                                   |                                |       |                              |  |  |       |        |  |
|      |                   |                                   |                                |       |                              |  |  |       |        |  |
|      |                   |                                   |                                |       |                              |  |  |       |        |  |
|      |                   |                                   |                                |       |                              |  |  |       |        |  |
|      |                   |                                   |                                |       |                              |  |  |       |        |  |

MOD. LAVAVAJILLAS DE APERTURA FRONTAL

ZONA

ACCESORIOS PARA LAVAVAJILLAS

PLANO

C-1842

| ITEM | CODIGO            | DENOMINACION                    | TEXTO                          | FI-48 | FI-48 B |  |  |  |  |  |  | NOTAS |
|------|-------------------|---------------------------------|--------------------------------|-------|---------|--|--|--|--|--|--|-------|
|      | <b>1200000128</b> | <b>KIT DESCALCIFICADOR 12 L</b> | <b>WATER SOFTENER KIT 12 L</b> |       |         |  |  |  |  |  |  |       |
| 12   | -                 | MANGUERA DE MAQUINA             | MACHINE HOSE                   | -     | -       |  |  |  |  |  |  |       |
| 13   | Z602121000        | MANGUERA ENTRADA AGUA           | WATER INTAKE HOSE              | 1     | 1       |  |  |  |  |  |  |       |
| 14   | Z209515000        | TUERCA REDUCCION 3/4" - 1/2"    | REDUCTION NUT 3/4" - 1/2"      | 2     | 2       |  |  |  |  |  |  |       |
| 15   | Z209516000        | TUERCA REDUCCION 1/2" - 3/8"    | REDUCTION NUT 1/2" - 3/8"      | 2     | 2       |  |  |  |  |  |  |       |
| 16   | Z209507000        | DESCALCIFICADOR DE 12 L         | WATER SOFTENER 12 L            | 1     | 1       |  |  |  |  |  |  |       |
|      |                   |                                 |                                |       |         |  |  |  |  |  |  |       |
|      | <b>1200000130</b> | <b>KIT VALVULA ANTIRRETORNO</b> | <b>NON-RETURN VALVE KIT</b>    |       |         |  |  |  |  |  |  |       |
| 17   | 3676900000        | TUBO DE GOMA NEGRA Ø17x10       | BLACK RUBBER PIPE Ø17x10       | 2     | 2       |  |  |  |  |  |  |       |
|      | Q881302000        | ABRAZADERA 12 - 20              | CLAMP 12 - 20                  | 2     | 2       |  |  |  |  |  |  |       |
| 18   | Z231106000        | VALVULA ANTIRRETORNO            | NON-RETURN VALVE               | 1     | 1       |  |  |  |  |  |  |       |
|      |                   |                                 |                                |       |         |  |  |  |  |  |  |       |
|      |                   |                                 |                                |       |         |  |  |  |  |  |  |       |
|      |                   |                                 |                                |       |         |  |  |  |  |  |  |       |
|      |                   |                                 |                                |       |         |  |  |  |  |  |  |       |
|      |                   |                                 |                                |       |         |  |  |  |  |  |  |       |
|      |                   |                                 |                                |       |         |  |  |  |  |  |  |       |
|      |                   |                                 |                                |       |         |  |  |  |  |  |  |       |
|      |                   |                                 |                                |       |         |  |  |  |  |  |  |       |
|      |                   |                                 |                                |       |         |  |  |  |  |  |  |       |
|      |                   |                                 |                                |       |         |  |  |  |  |  |  |       |
|      |                   |                                 |                                |       |         |  |  |  |  |  |  |       |

| MOD. |            | LAVAVAJILLAS DE APERTURA FRONTAL |                             | ZONA  | VARIOS  |         |         |         |              |                 |                      |
|------|------------|----------------------------------|-----------------------------|-------|---------|---------|---------|---------|--------------|-----------------|----------------------|
| ITEM | CODIGO     | DENOMINACION                     | TEXTO                       | FI-48 | FI-48 B | FI-48 C | FI-48 D | FI-48 W | FI-48 B-BTUK | FI-48 HY CLINIC | NOTAS                |
|      | Z206131000 | FOLLETO DE INSTRUCCIONES         | INSTRUCTION LEAFLET         | 1     | 1       | 1       | 1       | 1       | 1            | 1               |                      |
|      | Z208432000 | FOLLETO INSTRUCCIONES W          | INSTRUCTION LEAFLET W       |       |         |         |         | 1       |              |                 |                      |
|      | Z213054000 | ESQUEMA TEORICO FI-48            | THEORETICAL DIAGRAM FI-48   | 1     |         |         |         |         |              |                 | PLANO HC-17908       |
|      | Z223057000 | ESQUEMA TEORICO FI-48 B          | THEORETIC. DIAGRAM FI-48 B  |       | 1       | 1       |         |         |              |                 | PLANO HC-17909       |
|      | Z213057000 | ESQUEMA TEORICO FI-48 D          | THEORETIC. DIAGRAM FI-48 D  |       |         |         | 1       |         |              |                 | PLANO HC-17931       |
|      | Z227413000 | ESQUEMA TEORICO FI-48 CLINIC     | THEOR. DIAGRAM FI-48 CLINIC |       |         |         |         |         | 1            | 1               | PLANO HC-17912       |
|      | Z228444000 | ESQUEMA TEORICO FI-48 W          | THEORETIC. DIAGRAM FI-48 W  |       |         |         |         | 1       |              |                 | PLANO HC-17994       |
|      | Z213055000 | PLANO DE MONTAJE FI-48           | ASSEMBLY PLAN FI-48         | 1     |         |         |         |         |              |                 | PLANO HC-17914       |
|      | Z223058000 | PLANO DE MONTAJE FI-48 B         | ASSEMBLY PLAN FI-48 B       |       | 1       | 1       |         |         |              |                 | PLANO HC-17915       |
|      | Z213058000 | PLANO DE MONTAJE FI-48 D         | ASSEMBLY PLAN FI-48 D       |       |         |         | 1       |         |              |                 | PLANO HC-17932       |
|      | Z227414000 | PLANO DE MONTAJE FI-48 CLINIC    | ASSEMBLY PLAN FI-48 CLINIC  |       |         |         |         |         | 1            | 1               | PLANO HC-17918       |
|      | Z228443000 | PLANO DE MONTAJE FI-48 W         | ASSEMBLY PLAN FI-48 W       |       |         |         |         | 1       |              |                 | PLANO HC-17992       |
|      |            |                                  |                             |       |         |         |         |         |              |                 |                      |
|      | Z603041000 | CABLE DE ALIMENTACION            | POWER WIRING                | 1     | 1       | 1       | 1       |         |              | 1               | ELIMINADO 16.11.09   |
|      | Z203094000 | CABLE DE ALIMENTACION            | POWER WIRING                | 1     | 1       | 1       | 1       |         |              | 1               | INTRODUCIDO 16.11.09 |
|      | Z208902000 | CABLE DE ALIMENTACION AF-UK      | POWER WIRING AF-UK          |       |         |         |         |         | 1            |                 |                      |
|      | Z243048000 | CABLEADO FI-48                   | WIRING FI-48                | 1     |         |         |         |         |              |                 |                      |
|      | Z253046000 | CABLEADO BOMBA DESAGUE           | DRAINAGE PUMP WIRING        |       | 1       | 1       |         | 1       |              |                 |                      |
|      | Z213056000 | CABLEADO FI-48 D                 | WIRING FI-48 D              |       |         |         | 1       |         |              |                 |                      |
|      | Z257413000 | CABLEADO CLINIC LINE             | WIRING CLINIC LINE          |       |         |         |         |         | 1            | 1               | ELIMINADO 03.04.09   |
|      | Z208917000 | CABLEADO DD-DA G650              | WIRING DD-DA G650           |       |         |         |         |         | 1            | 1               | INTRODUCIDO 03.04.09 |
|      | Z258971000 | CABLEADO HY-BBT 48-64            | WIRING HY-BBT 48-64         |       |         |         |         |         | 1            | 1               | INTRODUCIDO 01.02.08 |
|      | Z228436000 | CABLE DE ALIMENTACION USA        | POWER WIRING USA            |       |         |         |         | 1       |              |                 |                      |
|      | Z243047000 | CABLEADO TERMO STOP FI-64W       | THERMOSTOP WIRING FI-64W    |       |         |         |         | 1       |              |                 |                      |
|      | Z208436000 | CABLEADO PROLONG. TSTOP          | WIRING EXTENSION TSTOP      |       |         |         |         | 1       |              |                 |                      |
|      | Z203074000 | INSTALACION ELECTRICA FI-30      | ELECTRIC INSTALLATION FI-30 | 1     | 1       | 1       | 1       | 1       | 1            | 1               |                      |
|      | Z243051000 | LEYENDA LAVAVAJ.APER. FRONTAL    | LEGEND FRONT LOADING DISH.  | 1     | 1       | 1       | 1       | 1       | 1            | 1               | PLANO HC-17900       |
|      |            |                                  |                             |       |         |         |         |         |              |                 |                      |
|      |            |                                  |                             |       |         |         |         |         |              |                 |                      |

MOD.

LAVAVAJILLAS DE APERTURA FRONTAL

ZONA

PIEZAS ESPECIFICAS PARA LA VERSION  
( 220-240V II 60HZ )

PLANO

| ITEM | CODIGO     | DENOMINACION           | TEXTO                  | FI-48 | FI-48 B |  |  |  |  |  |  | NOTAS  |
|------|------------|------------------------|------------------------|-------|---------|--|--|--|--|--|--|--------|
| 12   | Z203511000 | BOMBA DE LAVADO 60 HZ. | WASH PUMP 60 Hz.       | 1     | 1       |  |  |  |  |  |  | C-1831 |
| 4    | Z223501000 | BOMBA DESAGUE 30W 60HZ | DRAINAGE PUMP 30W 60HZ | -     | 1       |  |  |  |  |  |  | C-1833 |
|      |            |                        |                        |       |         |  |  |  |  |  |  |        |
|      |            |                        |                        |       |         |  |  |  |  |  |  |        |
|      |            |                        |                        |       |         |  |  |  |  |  |  |        |
|      |            |                        |                        |       |         |  |  |  |  |  |  |        |
|      |            |                        |                        |       |         |  |  |  |  |  |  |        |
|      |            |                        |                        |       |         |  |  |  |  |  |  |        |
|      |            |                        |                        |       |         |  |  |  |  |  |  |        |
|      |            |                        |                        |       |         |  |  |  |  |  |  |        |
|      |            |                        |                        |       |         |  |  |  |  |  |  |        |
|      |            |                        |                        |       |         |  |  |  |  |  |  |        |
|      |            |                        |                        |       |         |  |  |  |  |  |  |        |
|      |            |                        |                        |       |         |  |  |  |  |  |  |        |
|      |            |                        |                        |       |         |  |  |  |  |  |  |        |
|      |            |                        |                        |       |         |  |  |  |  |  |  |        |
|      |            |                        |                        |       |         |  |  |  |  |  |  |        |
|      |            |                        |                        |       |         |  |  |  |  |  |  |        |
|      |            |                        |                        |       |         |  |  |  |  |  |  |        |
|      |            |                        |                        |       |         |  |  |  |  |  |  |        |

| MOD. |            | LAVAVAJILLAS DE APERTURA FRONTAL |       | ZONA  | PIEZAS ESPECIFICAS PARA AZKOYEN |  |  |  | PLANO |                |
|------|------------|----------------------------------|-------|-------|---------------------------------|--|--|--|-------|----------------|
| ITEM | CODIGO     | DENOMINACION                     | TEXTO | A-480 | A-480 B                         |  |  |  |       | NOTAS          |
|      | Z200330000 | CAJA SOLDADA AZKOYEN             |       |       | 1                               |  |  |  |       |                |
|      | Z658602000 | ASA PUERTA                       |       | 1     | 1                               |  |  |  |       |                |
|      | Z208603000 | ADHESIVO PUERTA                  |       | 1     | 1                               |  |  |  |       |                |
|      | Z200541000 | PUERTA SOLDADA                   |       | 1     | 1                               |  |  |  |       |                |
|      | Z220901000 | BOMBA DESAGUE 30W                |       |       | 1                               |  |  |  |       |                |
|      | Z220904000 | SOPORTE BOMBA DESAGUE            |       |       | 1                               |  |  |  |       |                |
|      | Q242030000 | ARANDELA ABANICO A5 A.304        |       |       | 2                               |  |  |  |       |                |
|      | Z220902000 | ACUMULADOR 1503019               |       |       | 1                               |  |  |  |       |                |
|      | Z220903000 | MANGUERA DESAGÜE                 |       |       | 1                               |  |  |  |       |                |
|      | Z230902000 | PASAMUROS DETERGENTE             |       | 1     | 2                               |  |  |  |       |                |
|      | Z701152000 | PESO FILTRO                      |       | 1     | 1                               |  |  |  |       |                |
|      | Z448616000 | PEGATINA TOMA DETERGENTE         |       | 1     | 1                               |  |  |  |       |                |
|      | Z218601000 | EMBELLECEDOR ADHESIVO            |       | 1     |                                 |  |  |  |       |                |
|      | Z228803000 | EMBELLECEDOR ADHESIVO            |       |       | 1                               |  |  |  |       |                |
|      | Z218612000 | ADHESIVO PANEL AZKOYEN           |       | 1     |                                 |  |  |  |       |                |
|      | Z228813000 | ADHESIVO PANEL AZKOYEN           |       |       | 1                               |  |  |  |       |                |
|      | Z228812000 | PANEL FRONTAL B SIN PUERTA       |       |       | 1                               |  |  |  |       |                |
|      | Z212909000 | FRENTE EXTRAIBLE                 |       | 1     | 1                               |  |  |  |       |                |
|      | Z658813000 | BOTON DE MANDO                   |       | 1     | 1                               |  |  |  |       |                |
|      | Z658607000 | INDICADOR                        |       | 1     | 1                               |  |  |  |       |                |
|      | Z223057000 | ESQUEMA TEORICO FI-48 B          |       |       | 1                               |  |  |  |       | PLANO HC-17909 |
|      | Z223001000 | CONMUTADOR DE FUNCIONES          |       |       | 1                               |  |  |  |       |                |
|      | Z223005000 | PRESOSTATO SIMPLE P.V.S.         |       |       | 1                               |  |  |  |       |                |
|      | Z103077000 | RACORD EN Y                      |       |       | 1                               |  |  |  |       |                |
|      | Z253046000 | CABLEADO BOMBA DESAGUE           |       |       | 1                               |  |  |  |       |                |
|      | R693055000 | PILOTO VERDE 41227000C7          |       | 1     | 1                               |  |  |  |       |                |
|      | Z213033000 | PULSADOR MARCHA                  |       | 1     | 1                               |  |  |  |       |                |
|      | Z448613000 | CABLE DOSIFICADOR AZKOYEN        |       | 1     | 1                               |  |  |  |       |                |
|      | Z223058000 | ESQUEMA DE MONTAJE FI-48 B       |       |       | 1                               |  |  |  |       | PLANO HC-17915 |
|      | Z208608000 | LIBRO DE INSTRUCCIONES           |       | 1     | 1                               |  |  |  |       |                |



MOD.

LAVAVAJILLAS DE APERTURA FRONTAL

ZONA

PIEZAS ESPECIFICAS PARA RESTOMAT

PLANO

| ITEM | CODIGO     | DENOMINACION            | TEXTO | KM-48 |  |  |  |  |  |  |  | NOTAS |
|------|------------|-------------------------|-------|-------|--|--|--|--|--|--|--|-------|
|      | Z204602000 | ASA CHAPA AF            |       | 1     |  |  |  |  |  |  |  |       |
|      | Z214911000 | EMBELLECEDOR ADHESIVO   |       | 1     |  |  |  |  |  |  |  |       |
|      | Z212909000 | FRENTE EXTRAIBLE FI-30  |       | 1     |  |  |  |  |  |  |  |       |
|      | Z214902000 | BOTON DE MANDO          |       | 1     |  |  |  |  |  |  |  |       |
|      | Z213033000 | PULSADOR MARCHA         |       | 1     |  |  |  |  |  |  |  |       |
|      | R693055000 | PILOTO VERDE 41227000C7 |       | 1     |  |  |  |  |  |  |  |       |
|      |            |                         |       |       |  |  |  |  |  |  |  |       |
|      |            |                         |       |       |  |  |  |  |  |  |  |       |
|      |            |                         |       |       |  |  |  |  |  |  |  |       |
|      |            |                         |       |       |  |  |  |  |  |  |  |       |
|      |            |                         |       |       |  |  |  |  |  |  |  |       |
|      |            |                         |       |       |  |  |  |  |  |  |  |       |
|      |            |                         |       |       |  |  |  |  |  |  |  |       |
|      |            |                         |       |       |  |  |  |  |  |  |  |       |
|      |            |                         |       |       |  |  |  |  |  |  |  |       |
|      |            |                         |       |       |  |  |  |  |  |  |  |       |
|      |            |                         |       |       |  |  |  |  |  |  |  |       |
|      |            |                         |       |       |  |  |  |  |  |  |  |       |
|      |            |                         |       |       |  |  |  |  |  |  |  |       |
|      |            |                         |       |       |  |  |  |  |  |  |  |       |
|      |            |                         |       |       |  |  |  |  |  |  |  |       |
|      |            |                         |       |       |  |  |  |  |  |  |  |       |
|      |            |                         |       |       |  |  |  |  |  |  |  |       |
|      |            |                         |       |       |  |  |  |  |  |  |  |       |
|      |            |                         |       |       |  |  |  |  |  |  |  |       |
|      |            |                         |       |       |  |  |  |  |  |  |  |       |
|      |            |                         |       |       |  |  |  |  |  |  |  |       |
|      |            |                         |       |       |  |  |  |  |  |  |  |       |
|      |            |                         |       |       |  |  |  |  |  |  |  |       |
|      |            |                         |       |       |  |  |  |  |  |  |  |       |
|      |            |                         |       |       |  |  |  |  |  |  |  |       |
|      |            |                         |       |       |  |  |  |  |  |  |  |       |

| MOD. |            | LAVAVAJILLAS DE APERTURA FRONTAL |       | ZONA     | PIEZAS ESPECIFICAS PARA MOVILFRIT |          |  | PLANO |                |
|------|------------|----------------------------------|-------|----------|-----------------------------------|----------|--|-------|----------------|
| ITEM | CODIGO     | DENOMINACION                     | TEXTO | MLV-50-S | MLV-50-B                          | MLV-50-D |  |       | NOTAS          |
|      | Z208740000 | PUERTA COMPLETA                  |       | 1        | 1                                 | 1        |  |       |                |
|      | Z214401000 | EMBELLEC. ADHESIVO MLV-50-S      |       | 1        | -                                 | -        |  |       |                |
|      | Z224401000 | EMBELLEC. ADHESIVO MLV-50-B      |       | -        | 1                                 | -        |  |       |                |
|      | Z214402000 | EMBELLEC. ADHESIVO MLV-50-D      |       | -        | -                                 | 1        |  |       |                |
|      | Z212909000 | FRENTE EXTRAIBLE                 |       | 1        | 1                                 | 1        |  |       |                |
|      | Z663062000 | BOTON DE MANDO                   |       | 1        | 1                                 | 1        |  |       |                |
|      | Z213033000 | PULSADOR MARCHA                  |       | 1        | 1                                 | 1        |  |       |                |
|      | R693055000 | PILOTO VERDE 41227000C7          |       | 1        | 1                                 | 1        |  |       |                |
|      | Z220901000 | BOMBA DESAGUE 30W                |       | -        | 1                                 | -        |  |       |                |
|      | Z220904000 | SOPORTE BOMBA DESAGUE            |       | -        | 1                                 | -        |  |       |                |
|      | Q242030000 | ARANDELA ABANICO A5 A.304        |       | -        | 4                                 | -        |  |       |                |
|      | Z220902000 | ACUMULADOR 1503019               |       | -        | 1                                 | -        |  |       |                |
|      | Z220903000 | MANGUERA DESAGUE                 |       | -        | 1                                 | -        |  |       |                |
|      | Z230902000 | PASAMUROS DETERGENTE             |       | -        | 1                                 | -        |  |       |                |
|      | Z228812000 | PANEL FRONTAL B SIN PUERTA       |       | -        | 1                                 | -        |  |       |                |
|      | Z223005000 | PRESOSTATO SIMPLE P.V.S.         |       | -        | 1                                 | -        |  |       |                |
|      | Z103077000 | RACORD EN Y                      |       | -        | 1                                 | -        |  |       |                |
|      | Z223001000 | CONMUTADOR DE FUNCIONES          |       | -        | 1                                 | 1        |  |       |                |
|      | Z253046000 | CABLEADO BOMBA DESAGUE           |       | -        | 1                                 | -        |  |       |                |
|      | Z223057000 | ESQUEMA TEORICO FI-48 B          |       | -        | 1                                 | -        |  |       | PLANO HC-17909 |
|      | Z223058000 | PLANO DE MONTAJE FI-48 B         |       | -        | 1                                 | -        |  |       | PLANO HC-17915 |
|      | Z210352000 | CAJA SOLDADA FI-D                |       | -        | -                                 | 1        |  |       |                |
|      | P255001000 | ELECTROVALVULA DOBLE             |       | -        | -                                 | 1        |  |       |                |
|      | P305013000 | REGULADOR 1L.AMA 255.005         |       | -        | -                                 | 1        |  |       |                |
|      | 3676900000 | TUBO GOMA NEGRA Ø 17*10          |       | -        | -                                 | 1        |  |       |                |
|      | Q881302000 | ABRAZADERA 12-20                 |       | -        | -                                 | 6        |  |       |                |
|      | Z471101000 | DESCALCIFICADOR 4 COLUMNAS       |       | -        | -                                 | 1        |  |       |                |
|      | Q152012000 | PERNO SOLD.M6X15                 |       | -        | -                                 | 2        |  |       |                |
|      | Z471102000 | DEPOSITO SOLDADO                 |       | -        | -                                 | 1        |  |       |                |
|      | Z471105000 | FILTRO (BITRON 06281.01)         |       | -        | -                                 | 2        |  |       |                |
|      | Z471106000 | TUERCA (BITRON 27414.00)         |       | -        | -                                 | 1        |  |       |                |

|      |                                  |      |                                   |       |  |
|------|----------------------------------|------|-----------------------------------|-------|--|
| MOD. | LAVAVAJILLAS DE APERTURA FRONTAL | ZONA | PIEZAS ESPECIFICAS PARA MOVILFRIT | PLANO |  |
|------|----------------------------------|------|-----------------------------------|-------|--|

| ITEM | CODIGO     | DENOMINACION                   | TEXTO | MLV-50-S | MLV-50-B | MLV-50-D |  |  |  |  |  | NOTAS          |
|------|------------|--------------------------------|-------|----------|----------|----------|--|--|--|--|--|----------------|
|      | Z471107000 | JUNTA TUERCA (BITRON 15702.01) |       | -        | -        | 1        |  |  |  |  |  |                |
|      | Z471108000 | TAPON (BITRON 27415.00)        |       | -        | -        | 1        |  |  |  |  |  |                |
|      | Z471109000 | JUNTA TAPON (BITRON 06485.02)  |       | -        | -        | 1        |  |  |  |  |  |                |
|      | Z471112000 | SOPORTE INFERIOR DESCALCIF.    |       | -        | -        | 2        |  |  |  |  |  |                |
|      | Z202921000 | PANEL POSTERIOR INFER. ALUM.   |       | -        | -        | 1        |  |  |  |  |  |                |
|      | Z613003000 | PROGRAMADOR REGENERACION       |       | -        | -        | 1        |  |  |  |  |  |                |
|      | Z403033000 | PULSADOR ACLARADO              |       | -        | -        | 1        |  |  |  |  |  |                |
|      | Z213057000 | ESQUEMA TEORICO FI-48 D        |       | -        | -        | 1        |  |  |  |  |  | PLANO HC-17931 |
|      | Z213058000 | PLANO DE MONTAJE FI-48 D       |       | -        | -        | 1        |  |  |  |  |  | PLANO HC-17932 |
|      | Z213056000 | CABLEADO FI-48 D               |       | -        | -        | 1        |  |  |  |  |  |                |
|      |            |                                |       |          |          |          |  |  |  |  |  |                |
|      |            |                                |       |          |          |          |  |  |  |  |  |                |
|      |            |                                |       |          |          |          |  |  |  |  |  |                |
|      |            |                                |       |          |          |          |  |  |  |  |  |                |
|      |            |                                |       |          |          |          |  |  |  |  |  |                |
|      |            |                                |       |          |          |          |  |  |  |  |  |                |
|      |            |                                |       |          |          |          |  |  |  |  |  |                |
|      |            |                                |       |          |          |          |  |  |  |  |  |                |
|      |            |                                |       |          |          |          |  |  |  |  |  |                |
|      |            |                                |       |          |          |          |  |  |  |  |  |                |
|      |            |                                |       |          |          |          |  |  |  |  |  |                |
|      |            |                                |       |          |          |          |  |  |  |  |  |                |
|      |            |                                |       |          |          |          |  |  |  |  |  |                |

|      |   |      |                                       |       |  |
|------|---|------|---------------------------------------|-------|--|
| MOD. | <b>LAVAVAJILLAS DE APERTURA FRONTAL</b> | ZONA | <b>PIEZAS ESPECIFICAS PARA CORECO</b> | PLANO |  |
|------|---|------|---------------------------------------|-------|--|

| ITEM | CODIGO     | DENOMINACION                  | TEXTO | CFI-48 | CFI-48-B |  |  |  |  |  |  | NOTAS          |
|------|------------|-------------------------------|-------|--------|----------|--|--|--|--|--|--|----------------|
|      | Z204602000 | ASA CHAPA AF                  |       | 1      | 1        |  |  |  |  |  |  |                |
|      | Z218101000 | EMBELLECED. ADHESIVO CFI-48   |       | 1      | 1        |  |  |  |  |  |  |                |
|      | Z228101000 | EMBELLECED. ADHESIVO CFI-48-B |       | 1      | 1        |  |  |  |  |  |  |                |
|      | Z212909000 | FRENTE EXTRAIBLE FI-30        |       | 1      | 1        |  |  |  |  |  |  |                |
|      | R663062000 | BOTON DE MANDO                |       | 1      | 1        |  |  |  |  |  |  |                |
|      | Z213033000 | PULSADOR MARCHA               |       | 1      | 1        |  |  |  |  |  |  |                |
|      | R693055000 | PILOTO VERDE 41227000C7       |       | 1      | 1        |  |  |  |  |  |  |                |
|      | Z220901000 | BOMBA DESAGUE 30W             |       | 1      | 1        |  |  |  |  |  |  |                |
|      | Z220904000 | SOPORTE BOMBA DESAGUE         |       | 1      | 1        |  |  |  |  |  |  |                |
|      | Q242030000 | ARANDELA ABANICO A5 A.304     |       | 1      | 4        |  |  |  |  |  |  |                |
|      | Z220902000 | ACUMULADOR 1503019            |       | 1      | 1        |  |  |  |  |  |  |                |
|      | Z220903000 | MANGUERA DESAGÜE              |       | 1      | 1        |  |  |  |  |  |  |                |
|      | Z230902000 | PASAMUROS DETERGENTE          |       | 1      | 1        |  |  |  |  |  |  |                |
|      | Z228812000 | PANEL FRONTAL B SIN PUERTA    |       | 1      | 1        |  |  |  |  |  |  |                |
|      | Z223005000 | PRESOSTATO SIMPLE P.V.S.      |       | 1      | 1        |  |  |  |  |  |  |                |
|      | Z103077000 | RACORD EN Y                   |       | 1      | 1        |  |  |  |  |  |  |                |
|      | Z223001000 | CONMUTADOR DE FUNCIONES       |       | 1      | 1        |  |  |  |  |  |  |                |
|      | Z253046000 | CABLEADO BOMBA DESAGUE        |       | 1      | 1        |  |  |  |  |  |  |                |
|      | Z223057000 | ESQUEMA TEORICO FI-48 B       |       | 1      | 1        |  |  |  |  |  |  | PLANO HC-17909 |
|      | Z223058000 | PLANO DE MONTAJE FI-48 B      |       | 1      | 1        |  |  |  |  |  |  | PLANO HC-17915 |
|      |            |                               |       |        |          |  |  |  |  |  |  |                |
|      |            |                               |       |        |          |  |  |  |  |  |  |                |
|      |            |                               |       |        |          |  |  |  |  |  |  |                |
|      |            |                               |       |        |          |  |  |  |  |  |  |                |
|      |            |                               |       |        |          |  |  |  |  |  |  |                |
|      |            |                               |       |        |          |  |  |  |  |  |  |                |
|      |            |                               |       |        |          |  |  |  |  |  |  |                |
|      |            |                               |       |        |          |  |  |  |  |  |  |                |
|      |            |                               |       |        |          |  |  |  |  |  |  |                |
|      |            |                               |       |        |          |  |  |  |  |  |  |                |
|      |            |                               |       |        |          |  |  |  |  |  |  |                |
|      |            |                               |       |        |          |  |  |  |  |  |  |                |
|      |            |                               |       |        |          |  |  |  |  |  |  |                |

MOD. LAVAVAJILLAS DE APERTURA FRONTAL

ZONA

PIEZAS ESPECIFICAS PARA CELIKAY

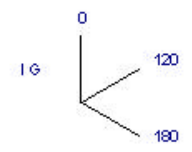
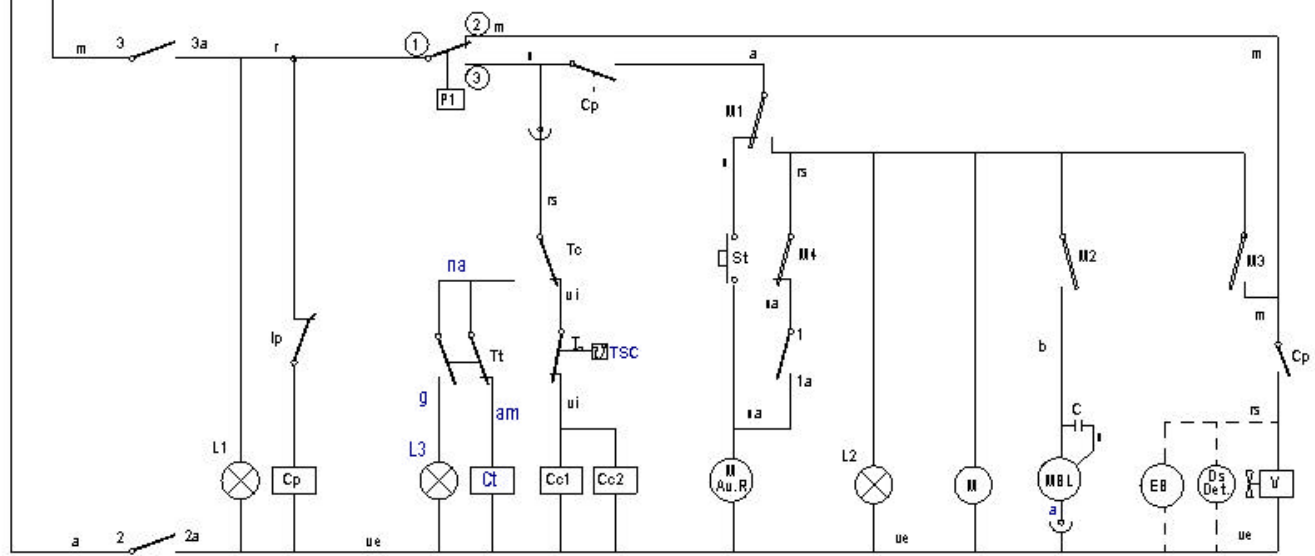
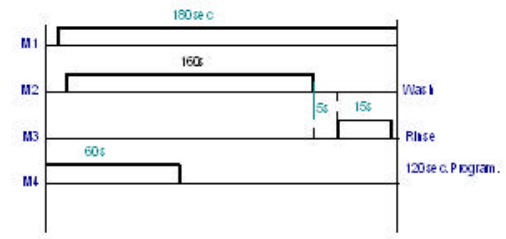
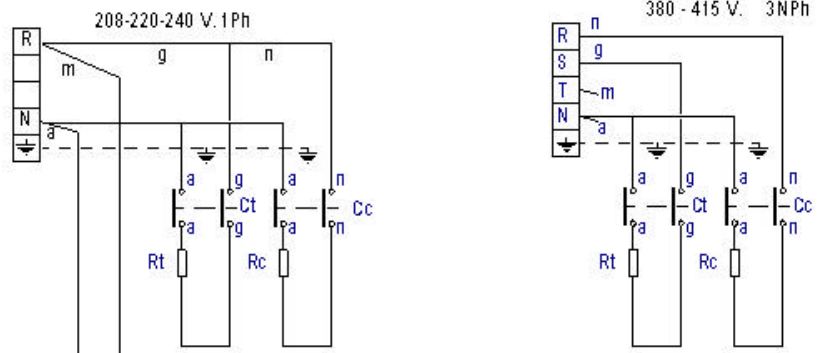
PLANO

| ITEM | CODIGO     | DENOMINACION                 | TEXTO | CBM-500 D |  |  |  |  |  |  | NOTAS |
|------|------------|------------------------------|-------|-----------|--|--|--|--|--|--|-------|
|      | Z208736000 | ESCUADRA AMARRE TAPA         |       | 2         |  |  |  |  |  |  |       |
|      | Z208740000 | PUERTA COMPLETA              |       | 1         |  |  |  |  |  |  |       |
|      | Z208712000 | RAMA DE ACLARADO IZQUIERDA   |       | 2         |  |  |  |  |  |  |       |
|      | Z208713000 | RAMA DE ACLARADO DERECHA     |       | 2         |  |  |  |  |  |  |       |
|      | Z201905000 | TOBERA ACLARADO              |       | 12        |  |  |  |  |  |  |       |
|      | Q307036000 | JUNTA TORICA 5.28X8.84X1.78  |       | 12        |  |  |  |  |  |  |       |
|      | Z201906000 | ENGANCHE TOBERA ACLARADO     |       | 12        |  |  |  |  |  |  |       |
|      | Z208734000 | FRENTE EXTRAIBLE             |       | 1         |  |  |  |  |  |  |       |
|      | Z228202000 | EMBELLEC. ADHESIVO CELIKAY   |       | 1         |  |  |  |  |  |  |       |
|      | Z202921000 | PANEL POSTERIOR INFER. ALUM. |       | 1         |  |  |  |  |  |  |       |
|      | R663062000 | BOTON DE MANDO               |       | 1         |  |  |  |  |  |  |       |
|      | R693055000 | PILOTO VERDE 41227000C7      |       | 1         |  |  |  |  |  |  |       |
|      | Z213033000 | PULSADOR MARCHA              |       | 1         |  |  |  |  |  |  |       |
|      |            |                              |       |           |  |  |  |  |  |  |       |
|      |            |                              |       |           |  |  |  |  |  |  |       |
|      |            |                              |       |           |  |  |  |  |  |  |       |
|      |            |                              |       |           |  |  |  |  |  |  |       |
|      |            |                              |       |           |  |  |  |  |  |  |       |
|      |            |                              |       |           |  |  |  |  |  |  |       |
|      |            |                              |       |           |  |  |  |  |  |  |       |
|      |            |                              |       |           |  |  |  |  |  |  |       |
|      |            |                              |       |           |  |  |  |  |  |  |       |
|      |            |                              |       |           |  |  |  |  |  |  |       |
|      |            |                              |       |           |  |  |  |  |  |  |       |
|      |            |                              |       |           |  |  |  |  |  |  |       |
|      |            |                              |       |           |  |  |  |  |  |  |       |
|      |            |                              |       |           |  |  |  |  |  |  |       |
|      |            |                              |       |           |  |  |  |  |  |  |       |
|      |            |                              |       |           |  |  |  |  |  |  |       |
|      |            |                              |       |           |  |  |  |  |  |  |       |
|      |            |                              |       |           |  |  |  |  |  |  |       |
|      |            |                              |       |           |  |  |  |  |  |  |       |
|      |            |                              |       |           |  |  |  |  |  |  |       |

| MOD. |            | LAVAVAJILLAS DE APERTURA FRONTAL |       | ZONA    | PIEZAS ESPECIFICAS PARA SHARPLINE |  |  |  |  | PLANO |                |
|------|------------|----------------------------------|-------|---------|-----------------------------------|--|--|--|--|-------|----------------|
| ITEM | CODIGO     | DENOMINACION                     | TEXTO | FI-48 B |                                   |  |  |  |  |       | NOTAS          |
|      | Z208412000 | CAJA SOLDADA W                   |       | 1       |                                   |  |  |  |  |       |                |
|      | Z204602000 | ASA CHAPA AF                     |       | 1       |                                   |  |  |  |  |       |                |
|      | Z220901000 | BOMBA DESAGUE 30W                |       | 1       |                                   |  |  |  |  |       |                |
|      | Z220904000 | SOPORTE BOMBA DESAGUE            |       | 1       |                                   |  |  |  |  |       |                |
|      | Q242030000 | ARANDELA ABANICO A5 A.304        |       | 4       |                                   |  |  |  |  |       |                |
|      | Z220902000 | ACUMULADOR 1503019               |       | 1       |                                   |  |  |  |  |       |                |
|      | Z220903000 | MANGUERA DESAGUE                 |       | 1       |                                   |  |  |  |  |       |                |
|      | Z230902000 | PASAMUROS DETERGENTE             |       | 1       |                                   |  |  |  |  |       |                |
|      | Z231106000 | VALVULA ANTIRRETORNO             |       | 1       |                                   |  |  |  |  |       |                |
|      | Z228812000 | PANEL FRONTAL B SIN PUERTA       |       | 1       |                                   |  |  |  |  |       |                |
|      | Z229201000 | EMBELLECEDOR ADHESIVO            |       | 1       |                                   |  |  |  |  |       |                |
|      | Z212909000 | FRENTE EXTRAIBLE                 |       | 1       |                                   |  |  |  |  |       |                |
|      | Z213002000 | PROGRAMADOR CICLO                |       | 1       |                                   |  |  |  |  |       |                |
|      | Z663062000 | BOTON DE MANDO                   |       | 1       |                                   |  |  |  |  |       |                |
|      | Z263002000 | VAINA INDICADOR COMPLETA         |       | 1       |                                   |  |  |  |  |       |                |
|      | R693010000 | REGLETA 2,5MM TEKOX1106PL        |       | 1       |                                   |  |  |  |  |       |                |
|      | X083011000 | REGLETA FASTON MACHO DOBL        |       | 1       |                                   |  |  |  |  |       |                |
|      | Z203072000 | INDICADOR ANALOGICO              |       | 2       |                                   |  |  |  |  |       |                |
|      | Z743009000 | CONT.SIRIUS 3RT10 16-2AP02       |       | 1       |                                   |  |  |  |  |       |                |
|      | Z213033000 | PULSADOR MARCHA                  |       | 1       |                                   |  |  |  |  |       |                |
|      | Z223001000 | CONMUTADOR DE FUNCIONES          |       | 1       |                                   |  |  |  |  |       |                |
|      | Z223005000 | PRESOSTATO SIMPLE P.V.S.         |       | 1       |                                   |  |  |  |  |       |                |
|      | Z103077000 | RACORD EN Y                      |       | 1       |                                   |  |  |  |  |       |                |
|      | Z253046000 | CABLEADO BOMBA DESAGUE           |       | 1       |                                   |  |  |  |  |       |                |
|      | Z243047000 | CABLEADO TERMO STOP FI-64W       |       | 1       |                                   |  |  |  |  |       |                |
|      | Z229205000 | CABLEADO SHARPLINE               |       | 1       |                                   |  |  |  |  |       |                |
|      | Z229211000 | ESQ. TEORICO FI-48B SHARPLINE    |       | 1       |                                   |  |  |  |  |       | PLANO HC-17911 |
|      |            |                                  |       |         |                                   |  |  |  |  |       |                |
|      |            |                                  |       |         |                                   |  |  |  |  |       |                |
|      |            |                                  |       |         |                                   |  |  |  |  |       |                |
|      |            |                                  |       |         |                                   |  |  |  |  |       |                |

# FI-48, A480, KM-48, CLV-48, W4-A, MLV-50-S

①



| IG  | 1<br>1a | 2<br>2a | 3<br>3a |
|-----|---------|---------|---------|
| 0   |         |         |         |
| 120 | X       | X       | X       |
| 180 |         | X       | X       |

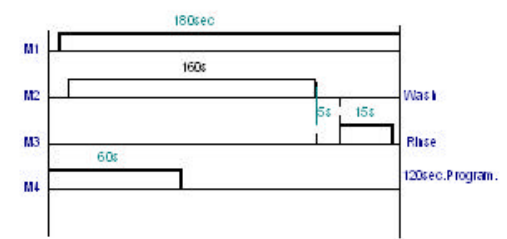
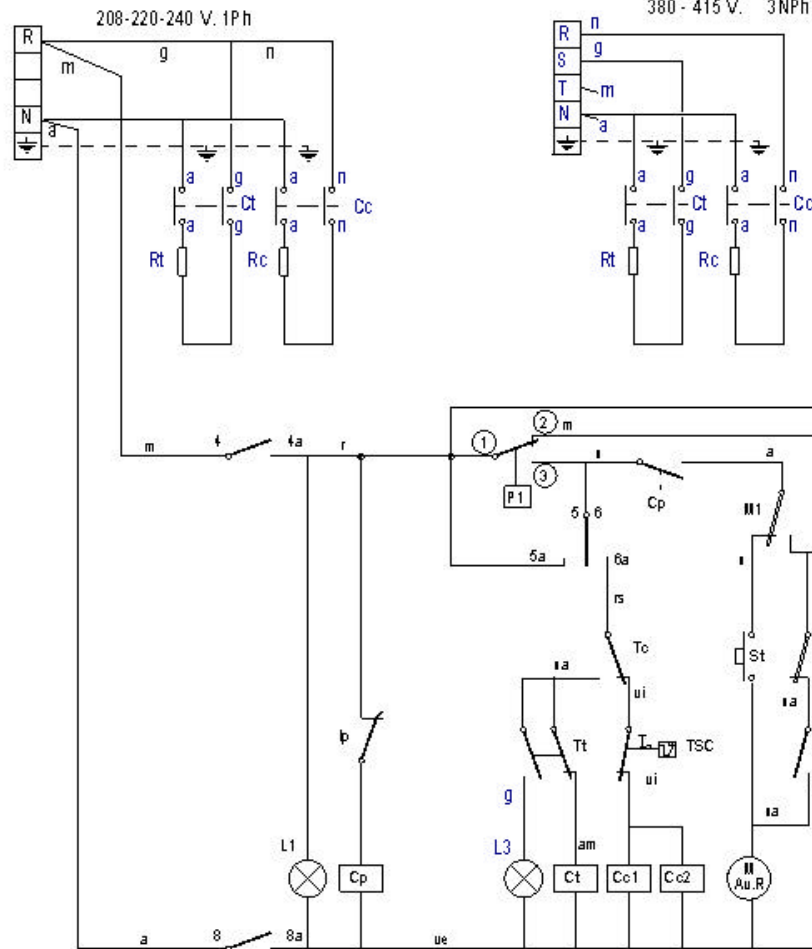
Z213054000

|   |               |                |   |            |          |            |          |            |  |  |                        |
|---|---------------|----------------|---|------------|----------|------------|----------|------------|--|--|------------------------|
| Esquema Teorico FI-48   |               | Z213054000     |   |            |          |            |          |            |  |  |                        |
| Nº Pieza  | Materia       | Nº Clasificado | Acabado                                       |            |          |            |          |            |  |  |                        |
| Nº Modificación   | Propositor de | Fecha          | Tolerancias generales                         |            |          |            |          |            |  |  |                        |
| ① MOVILFRIT modelo a sartu  | mgangoiti     | 07-04-17       | <3% : 50-100%<br>5-25% : >100%<br>25-50% : <4 |            |          |            |          |            |  |  |                        |
| <table border="1"> <tr> <td>Firma</td> <td>Fecha</td> </tr> <tr> <td>M. Mallo</td> <td>07-10-2005</td> </tr> <tr> <td>M. Mallo</td> <td>07-10-2005</td> </tr> <tr> <td>M. Mallo</td> <td>07-10-2005</td> </tr> </table> | Firma         | Fecha          | M. Mallo                                      | 07-10-2005 | M. Mallo | 07-10-2005 | M. Mallo | 07-10-2005 |  |  | Mecanizado superficial |
| Firma   | Fecha         |                |   |            |          |            |          |            |  |  |                        |
| M. Mallo  | 07-10-2005    |                |   |            |          |            |          |            |  |  |                        |
| M. Mallo  | 07-10-2005    |                |   |            |          |            |          |            |  |  |                        |
| M. Mallo  | 07-10-2005    |                |   |            |          |            |          |            |  |  |                        |
| <p style="text-align: center;"><b>LAVAVAJILLAS</b></p>  |               |                | Plano número<br><b>HC-17908-1</b>             |            |          |            |          |            |  |  |                        |
| <p style="text-align: center;">* Dimensiones dadas en milímetros, salvo que indiquemos lo contrario *</p>   |               |                | Sustituye a IN*                               |            |          |            |          |            |  |  |                        |
|   |               |                | Sustituido por                                |            |          |            |          |            |  |  |                        |

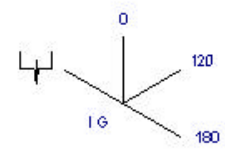
# FI-48B, A-480B, CLV-48B, MLV-50-B, CBM-500 D

①

②



| I G | 1<br>1a | 2<br>2a | 3<br>3a | 4<br>4a | 5<br>5a | 6<br>6a | 7<br>7a | 8<br>8a |
|-----|---------|---------|---------|---------|---------|---------|---------|---------|
| 0   |         | x       |         | x       | x       |         |         | x       |
| 120 | x       |         | x       | x       |         | x       | x       | x       |
| 180 | x       |         |         | x       |         | x       | x       | x       |



Z223057000

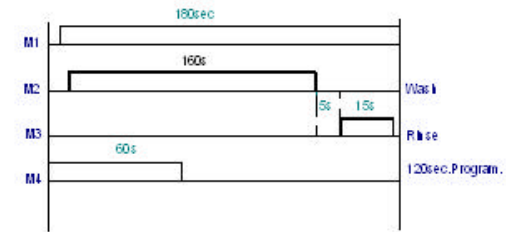
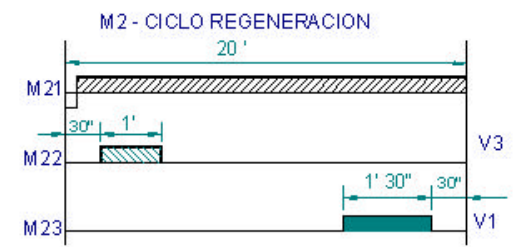
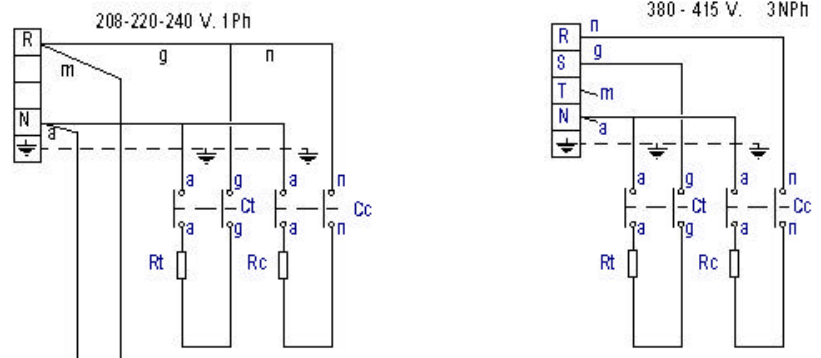
NOTA: El modelo CBM-500 D aunque ponga "D" es con bomba desagüe y no con descalcificador.

②

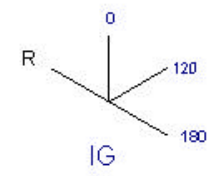
|  |                                    |                  |                                     |            |            |          |       |            |            |                    |       |            |        |  |  |  |  |   |  |
|--|------------------------------------|------------------|-------------------------------------|------------|------------|----------|-------|------------|------------|--------------------|-------|------------|--------|--|--|--|--|---|--|
| Esquema Teorico FI-48B   |                                    | Z223057000       |                                     |            |            |          |       |            |            |                    |       |            |        |  |  |  |  |   |  |
| Nº Pieza   | Materia                            | Nº Clasificación | Acabado                             |            |            |          |       |            |            |                    |       |            |        |  |  |  |  |   |  |
| Nº Modificación  | Propietario                        | Fecha            | Tolerancias generales               |            |            |          |       |            |            |                    |       |            |        |  |  |  |  |   |  |
| ①  | MOVILFRIT modelo sartzeta          | mgangoiti        | 2007-04-17                          |            |            |          |       |            |            |                    |       |            |        |  |  |  |  |   |  |
| ②  | CELIKAY modelo eta oharra sartzeta | rbenito          | 2007-05-31                          |            |            |          |       |            |            |                    |       |            |        |  |  |  |  |   |  |
|  |                                    |                  | <3% : 5-100% : >100% : 25-50% : <4% |            |            |          |       |            |            |                    |       |            |        |  |  |  |  |   |  |
| <table border="1"> <tr> <td>Dibujado</td> <td>M. Mallo</td> <td>Fecha</td> <td>07-10-2005</td> </tr> <tr> <td>Proyectado</td> <td>M. Mallo</td> <td>Fecha</td> <td>07-10-2005</td> </tr> <tr> <td>Comprobado</td> <td><i>[Signature]</i></td> <td>Fecha</td> <td>07-10-2005</td> </tr> <tr> <td>Escala</td> <td colspan="3"></td> </tr> </table> | Dibujado                           | M. Mallo         | Fecha                               | 07-10-2005 | Proyectado | M. Mallo | Fecha | 07-10-2005 | Comprobado | <i>[Signature]</i> | Fecha | 07-10-2005 | Escala |  |  |  | <p>Fagor la distrib. Coop. Eñ. Meritxa</p> | Mecanizado superficial<br>P/Bao número<br><b>HC-17909-2</b><br>Sustituye al N°<br>Sustituye por |  |
| Dibujado   | M. Mallo                           | Fecha            | 07-10-2005                          |            |            |          |       |            |            |                    |       |            |        |  |  |  |  |   |  |
| Proyectado   | M. Mallo                           | Fecha            | 07-10-2005                          |            |            |          |       |            |            |                    |       |            |        |  |  |  |  |   |  |
| Comprobado   | <i>[Signature]</i>                 | Fecha            | 07-10-2005                          |            |            |          |       |            |            |                    |       |            |        |  |  |  |  |   |  |
| Escala   |                                    |                  |                                     |            |            |          |       |            |            |                    |       |            |        |  |  |  |  |   |  |
| Para conocer cuáles son los productos que fabricamos visite:   |                                    |                  |                                     |            |            |          |       |            |            |                    |       |            |        |  |  |  |  |   |  |



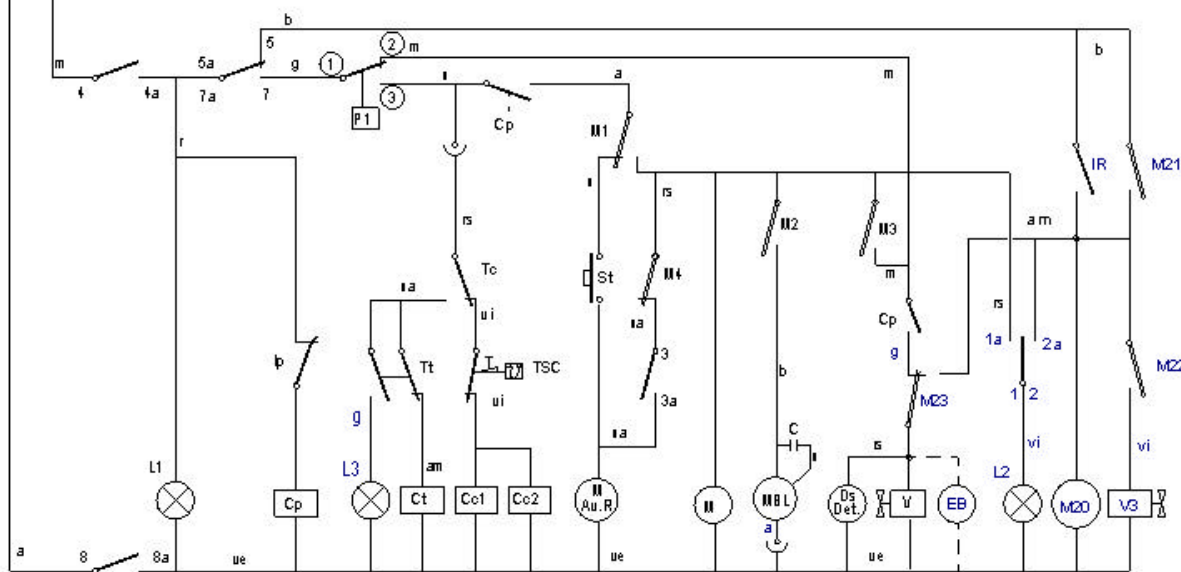
# FI-48D, MLV-50 D



| IG  | 1-1a | 2-2a | 3-3a | 4-4a | 5-5a | 7-7a | 8-8a |
|-----|------|------|------|------|------|------|------|
| R   |      | X    |      | X    | X    |      | X    |
| 0   |      |      |      |      |      |      |      |
| 120 | X    |      | X    | X    |      | X    | X    |
| 180 | X    |      | X    | X    |      | X    | X    |

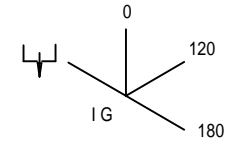
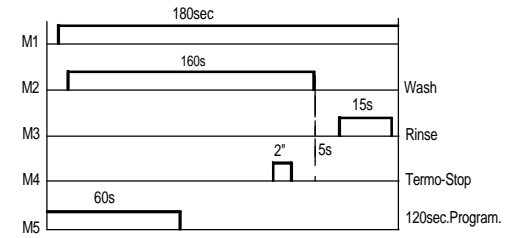
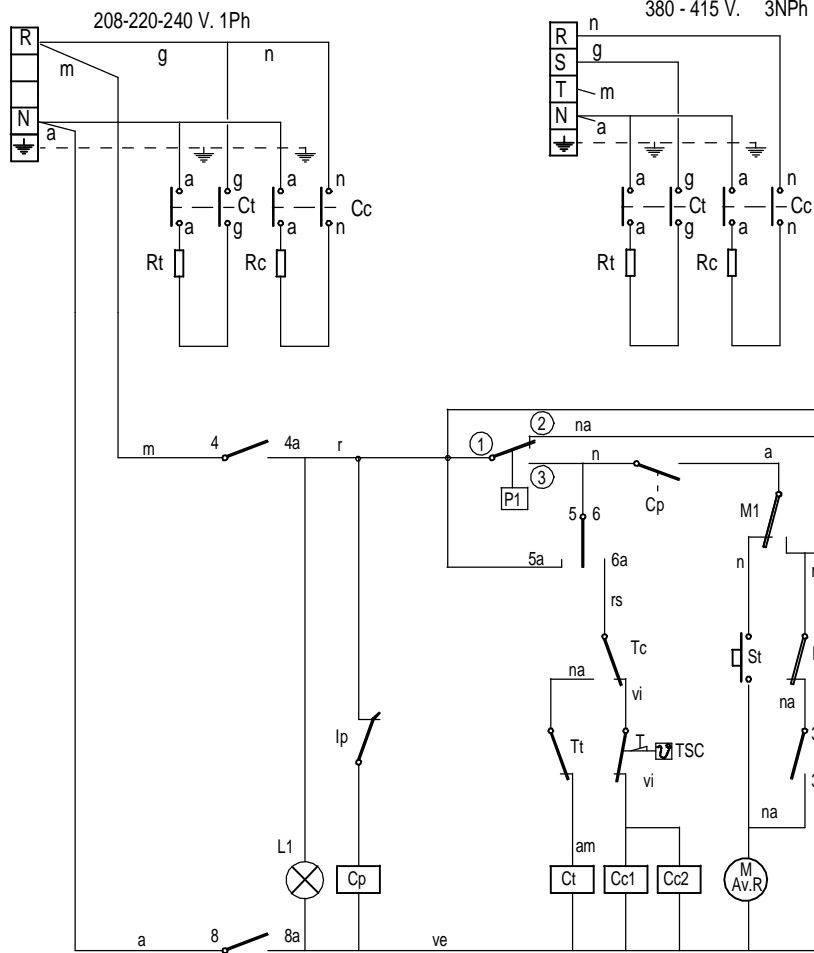


Z213057000



|   |   |   |  |
|---|---|---|--|
| Esquema Teorico FI-48D  |   | Z213057000  |  |
| Nº  | Pieza   | Materia   | Nº Clasificación   |
| Nº  | Modificación  | Propósito de  | Fecha  |
| ①   | Serie MLV-50 D de fábrica                                   | Destino   | 2007-05-02   |
|   |   | <3% : 5-100% : >100% :<br>5-25% : >100% :<br>25-50% : <3% : |  |
| Dibujado: M. Mallo<br>Projectado: M. Mallo<br>Comprobado: <i>[Signature]</i><br>Escala: | Fecha: 20-01-2006<br>Fecha: 20-01-2006<br>Fecha: 20-01-2006 | Fagor la distribuidora, S.p.A.                              | Mecanizado superficial<br>Píxel número: HC-17931-1<br>Sustituye al N°<br>Sustituye por |
| LAVAVAJILLAS  |   |   |  |
| Para conocer cuáles son los riesgos que favorecen su                                    |   |   |  |

# FI-48 CLINIC, FI-48B B-T

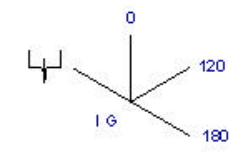
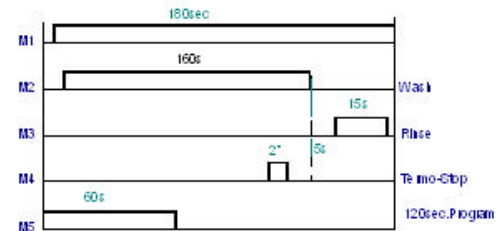
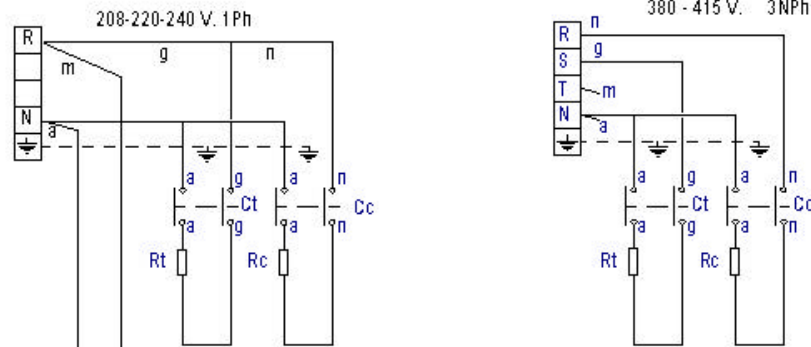


| I G | 1<br>1a | 2<br>2a | 3<br>3a | 4<br>4a | 5<br>5a | 6<br>6a | 7<br>7a | 8<br>8a |
|-----|---------|---------|---------|---------|---------|---------|---------|---------|
| 0   |         | X       |         | X       | X       |         |         | X       |
| 120 | X       |         | X       | X       |         | X       | X       | X       |
| 180 | X       |         |         | X       |         | X       | X       | X       |

Z227413000

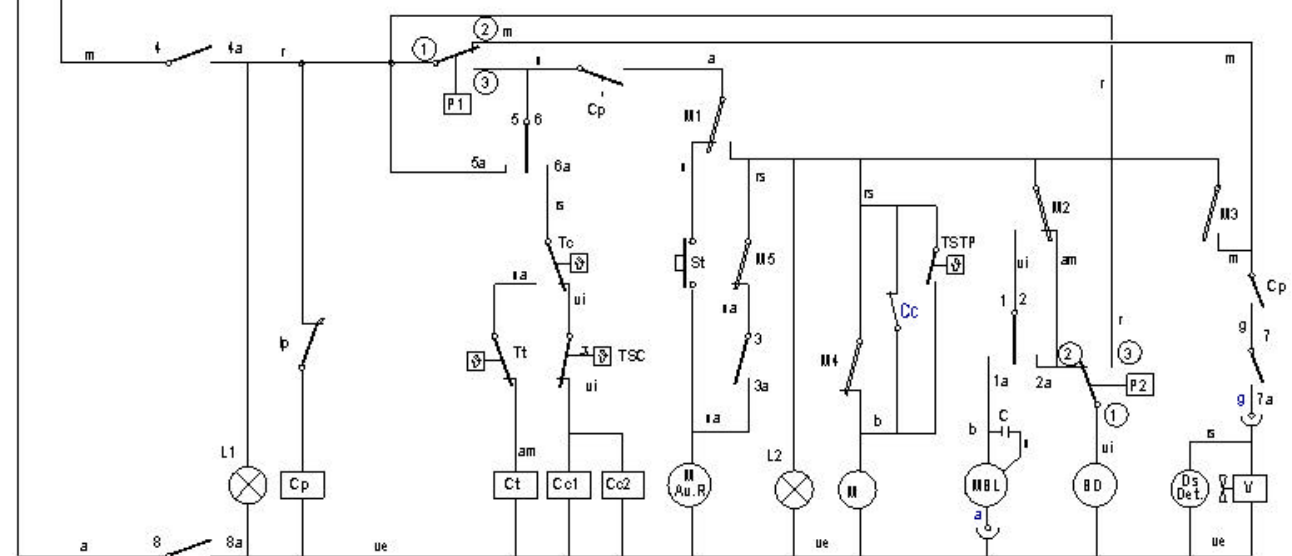
|  |   |                       |                          |
|--|---|-----------------------|--------------------------|
| Esquema Teorico FI-48 CLINIC                               |   | Z227413000            |                          |
| Nº   | Pieza   | Material              | Nº Clasificacion         |
| Nº   | Modificacion  | Propuesta de          | Fecha                    |
| 1  | Se sustituyen P3, P4 y P5 por el triple presostato P3 | Malbes                | 22-06-2007               |
|  |   | Tolerancias generales |                          |
|  |   | <math>\pm 0.5</math>  | <math>50-100\pm</math>   |
|  |   | <math>5-25\pm</math>  | >100±                    |
|  |   | <math>25-60\pm</math> | <math>\varnothing</math> |
| Dibujado   | Firma   | Fecha                 | Mecanizado superficial   |
| Proyectado   | M.Maillo  | 07-10-2005            |                          |
| Comprobado   | M.Maillo  | 07-10-2005            |                          |
| Escala   | Fagor Industrial, Koop. Eik, Mugatua                  |                       | Plano numero             |
| LAVAVAJILLAS   |   |                       | HC-17912                 |
|  |   |                       | Sustituye al N°          |
| Plano hau ez daiteke erabil ez berritza gure baimeniz gabe |   |                       | Sustituido por           |

# FI - 48 W



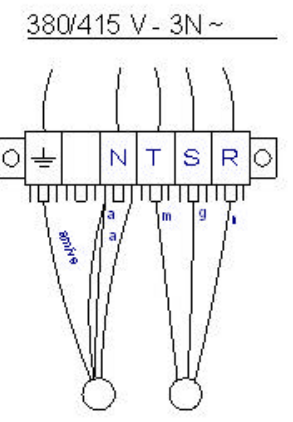
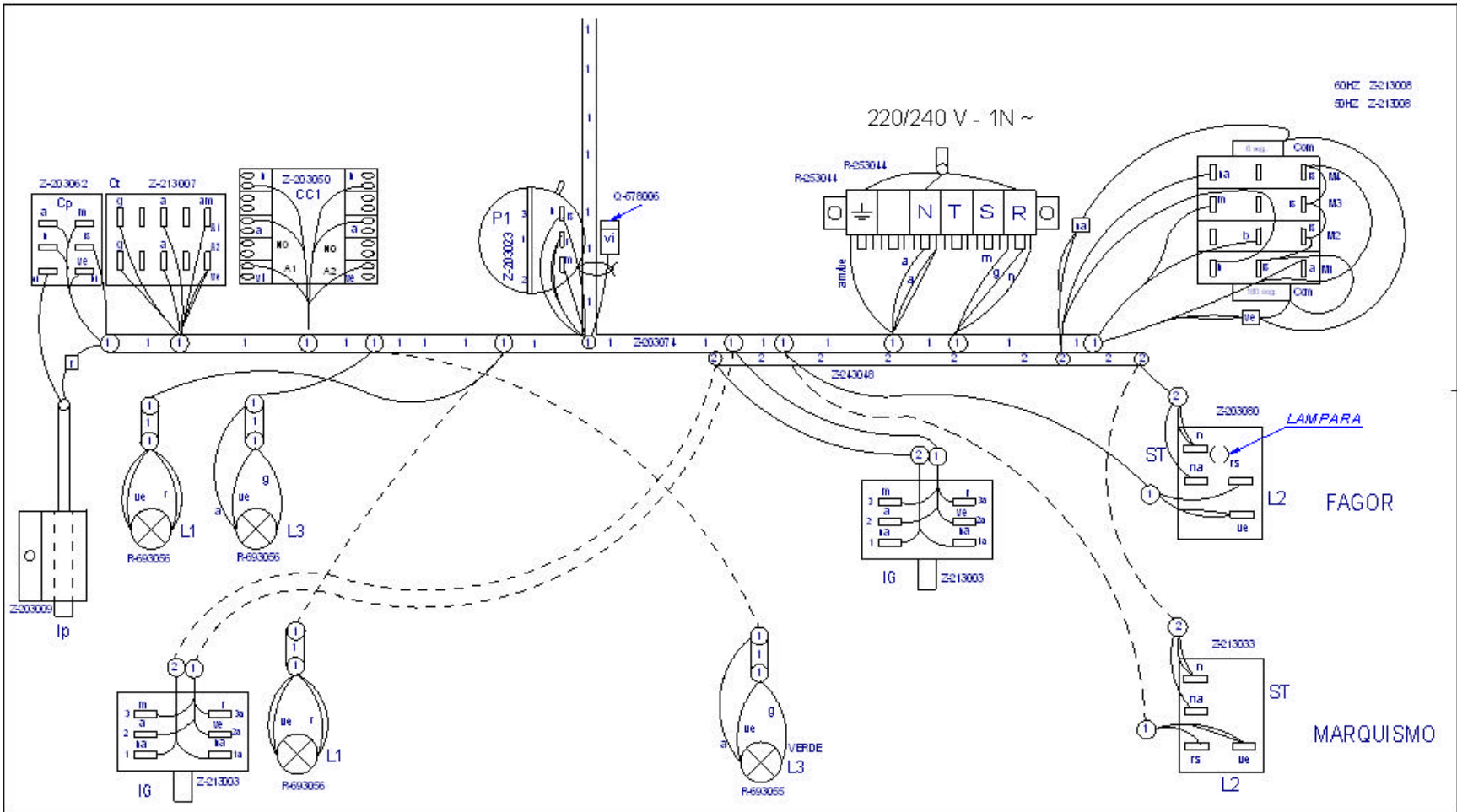
| IG  | 1-1a | 2-2a | 3-3a | 4-4a | 5-5a | 6-6a | 7-7a | 8-8a |
|-----|------|------|------|------|------|------|------|------|
| IG  |      | X    |      | X    | X    |      |      | X    |
| 0   |      |      |      |      |      |      |      |      |
| 120 | X    |      | X    | X    |      | X    | X    | X    |
| 180 | X    |      |      | X    |      | X    | X    | X    |

Colours code-Code de couleurs-Codigo de colores:  
 r = red-rouge-rojo  
 m = brown-marron-marron  
 g = grey-gris-gris  
 n = black-noir-negro  
 a = blue-bleu-azul  
 b = white-blanc-blanco  
 vi = violet-violet-violeta  
 am = yellow-jaune-amarillo  
 na = orange-orange-naranja  
 rs = rose-pink-rosa  
 ve = green-vert-verte  
 am/ve = yellow green-jaune vert-amar./verde



Z-228444000 HC-17994

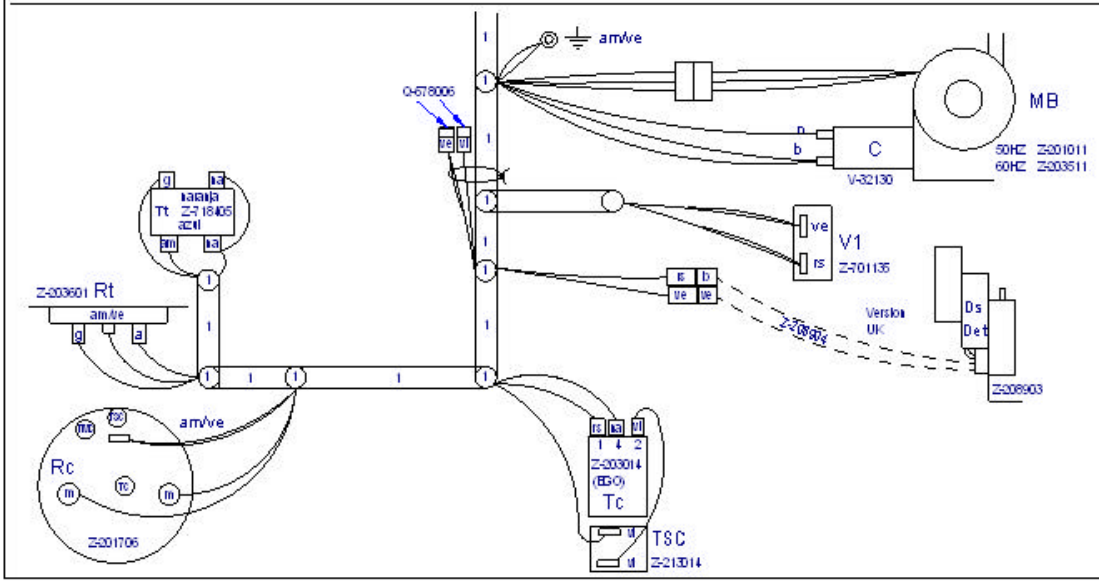
|         |                          |                               |                                    |            |                              |                                 |                                  |
|---------|--------------------------|-------------------------------|------------------------------------|------------|------------------------------|---------------------------------|----------------------------------|
| BD      | Drain pump               | Pompe de vidange              | Bomba desagüe                      | M Av. R    | Motor program. rapid advance | Moteur du progr.avance rapide   | Motor program. avance rapido     |
| C 1/2/3 | Condenser                | Condensateur                  | C condensador                      | M1         | Micro programmer on          | Micro du programm. de marche    | Micro programador marcha         |
| CMB     | W ash pump contactor     | Contacteur pompe lavage       | Contactador bomba lavado           | M2         | Micro programmer wash        | Micro du programm. de lavage    | Micro programador lavado         |
| Cc 1/2  | Boiler heating contactor | Contacteur chauff.surchauffer | Contactador calentamiento calderin | M3         | Micro programmer on          | Micro du programm. de rinçage   | Micro programador aclarado       |
| Ct      | Tank heating contactor   | Contacteur chauffage cuve     | Contactador calentamiento tanque   | M4         | Micro programmer Thermo-stop | Micro du programm. Thermo-stop  | Micro programador Thermo-stop    |
| CP      | Door relay               | Relais porte                  | Rele puerta                        | M5         | Micro programmer advance     | Micro du programm. avance       | Micro programador avance         |
| Ds.Det. | Detergent doser          | Dosseur de detergent          | Dosificador detergente             | P, P1, P5  | Pressure switch              | Pressostat                      | Presostato                       |
| E.B     | Electric pressure pump   | Electropompe de pression      | Electrobomba de presion            | P2, P3, P4 | Hilimit pressure switch      | Pressostat de sécurité          | Presostato limitador             |
| IG      | Main switch              | Interrupteur general          | Interruptor general                | RC         | Boiler heating element       | Resistance surchauffer          | Resistencia calderin             |
| IP      | Door microswitch         | Micro porte                   | Micro puerta                       | RT         | Tank heater                  | Resistance cuve                 | Resistencia tanque               |
| L1      | Operation light          | Voyant fonctionnement         | Piloto de encendido                | Tt         | Tank thermostat              | Thermostat de cuve              | Termostato tanque                |
| L2      | Start light              | Voyant demarrage              | Piloto marcha                      | Tc         | Boiler thermostat            | Thermostatsurchauffer           | Termostato calderin              |
| L3      | Light machine ready      | Voyant machine prêt           | Piloto maquina preparada           | TSC        | Boiler Hilimit               | Limiteur surchauffer            | Limitador calderin               |
| MBL     | W ash pump               | Pompe lavage                  | Bomba lavado                       | TSTP       | Thermo-stop Thermostat       | Thermostat Thermo-stop          | Termostato thermo-stop           |
| M       | Motor programmer         | Moteur du programmeur         | Motor programador                  | V          | Fill and rinse valve         | Electrovan. remplissage rinçage | Electrovavula llenado y aclarado |



ESQUEMA TEORICO  
LEYENDA  
INDICADOR DE COMPONENTES

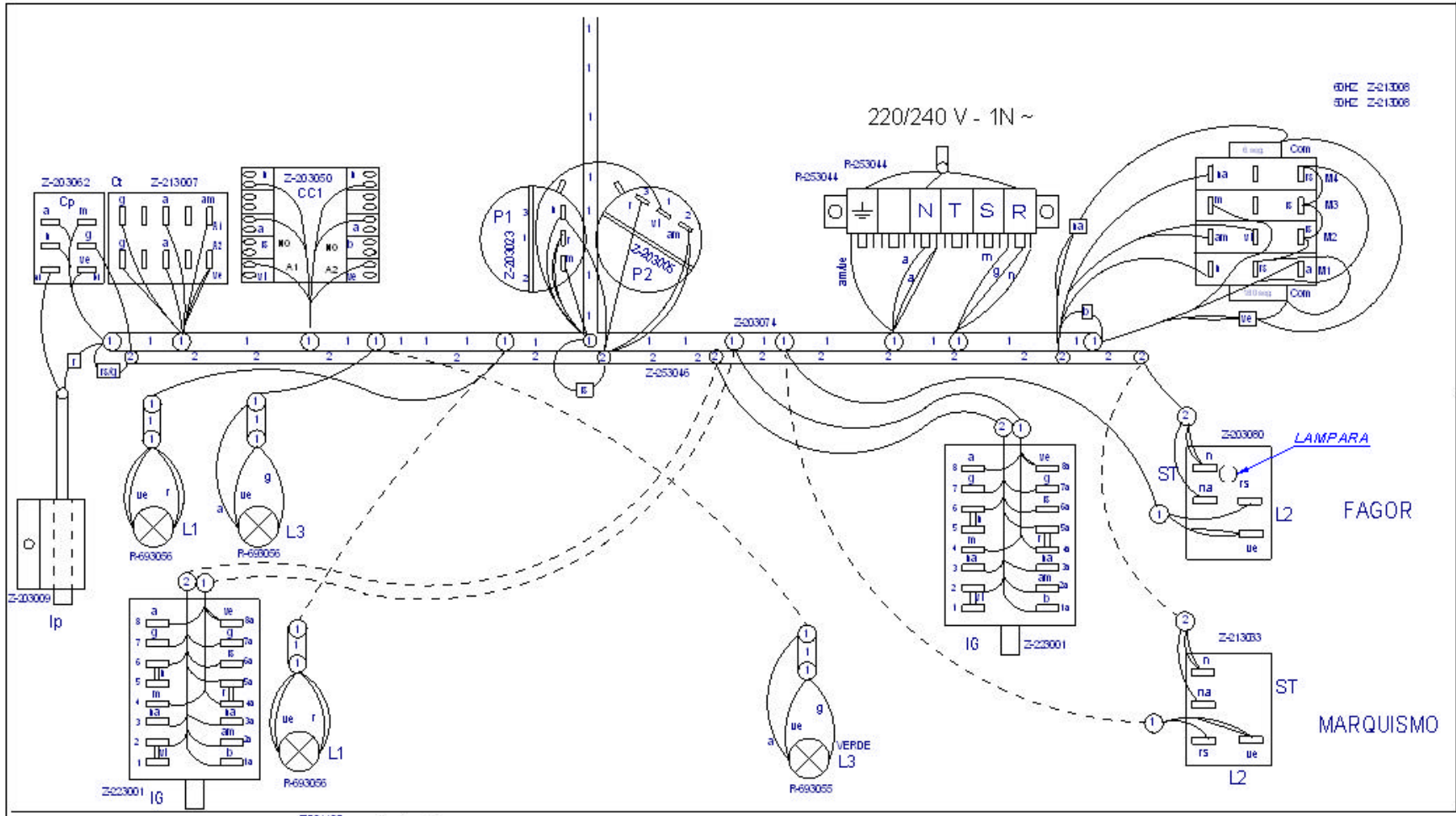
Z-213054  
Z-243051  
Z-13034

nw

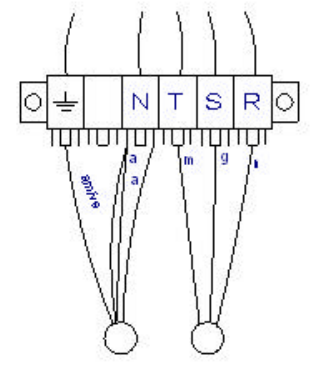


|                     |                                    |              |                |
|---------------------|------------------------------------|--------------|----------------|
| Plano Montaje FI-48 |                                    | Z213055000   |                |
| Nº                  | Pieza                              | Materia      | Nº Clasificado |
| Nº                  | Modificación                       | Propósito de | Fecha          |
| 1                   | Corrección en nueva estética Fagor | social       | 2006-11-30     |
|                     |                                    |              |                |
|                     |                                    |              |                |
|                     |                                    |              |                |
|                     |                                    |              |                |

|  |                    |            |            |            |          |            |            |                    |            |        |  |  |  |  |
|--|--------------------|------------|------------|------------|----------|------------|------------|--------------------|------------|--------|--|--|--|--|
| <table border="1"> <tr> <td>Elaborado</td> <td>M. Mallo</td> <td>07-10-2005</td> </tr> <tr> <td>Proyectado</td> <td>M. Mallo</td> <td>07-10-2005</td> </tr> <tr> <td>Comprobado</td> <td><i>[Signature]</i></td> <td>07-10-2005</td> </tr> <tr> <td>Escala</td> <td></td> <td></td> </tr> </table> | Elaborado          | M. Mallo   | 07-10-2005 | Proyectado | M. Mallo | 07-10-2005 | Comprobado | <i>[Signature]</i> | 07-10-2005 | Escala |  |  | <p><b>FAGOR</b></p> <p>Fagor Industrial, Coop. Ek. Meritxa</p> | <p>Mecanizado superficial</p> <p>Plano número<br/><b>HC-17914 -1</b></p> <p>Sistema de IN*</p> <p>Sistema de por</p> |
| Elaborado  | M. Mallo           | 07-10-2005 |            |            |          |            |            |                    |            |        |  |  |  |  |
| Proyectado   | M. Mallo           | 07-10-2005 |            |            |          |            |            |                    |            |        |  |  |  |  |
| Comprobado   | <i>[Signature]</i> | 07-10-2005 |            |            |          |            |            |                    |            |        |  |  |  |  |
| Escala   |                    |            |            |            |          |            |            |                    |            |        |  |  |  |  |



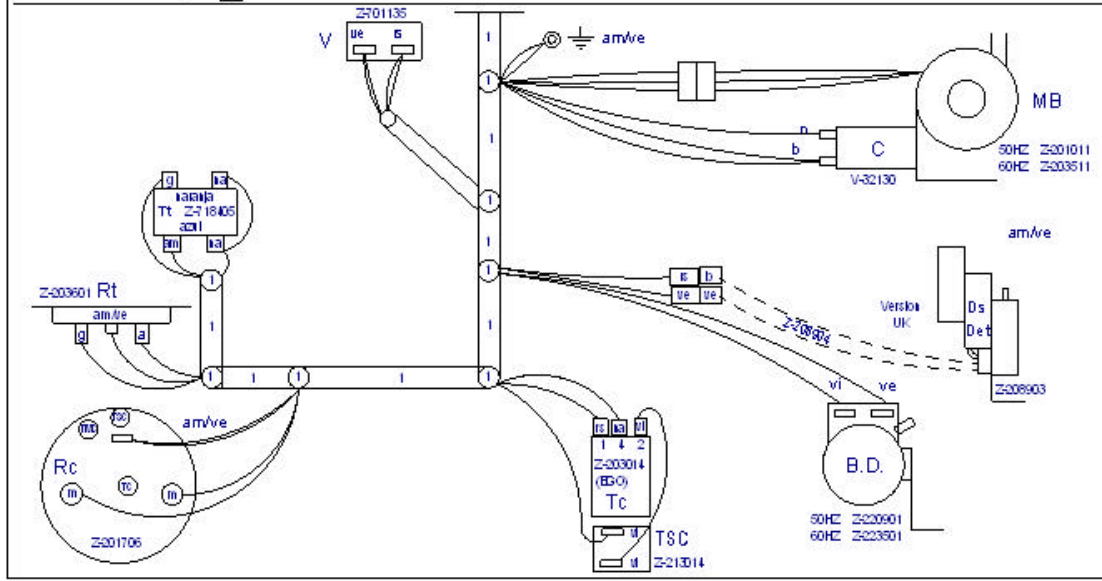
380/415 V - 3N ~



60Hz Z-213008  
50Hz Z-213008

ESQUEMA TEORICO Z-223057  
LEYENDA Z-243051  
INDICADOR DE COMPONENTES Z-13034

LAMPARA  
L2 FAGOR  
L2 MARQUISMO

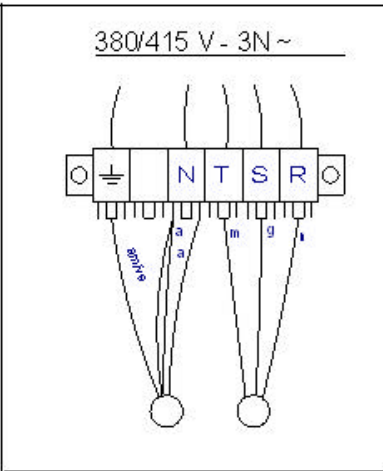
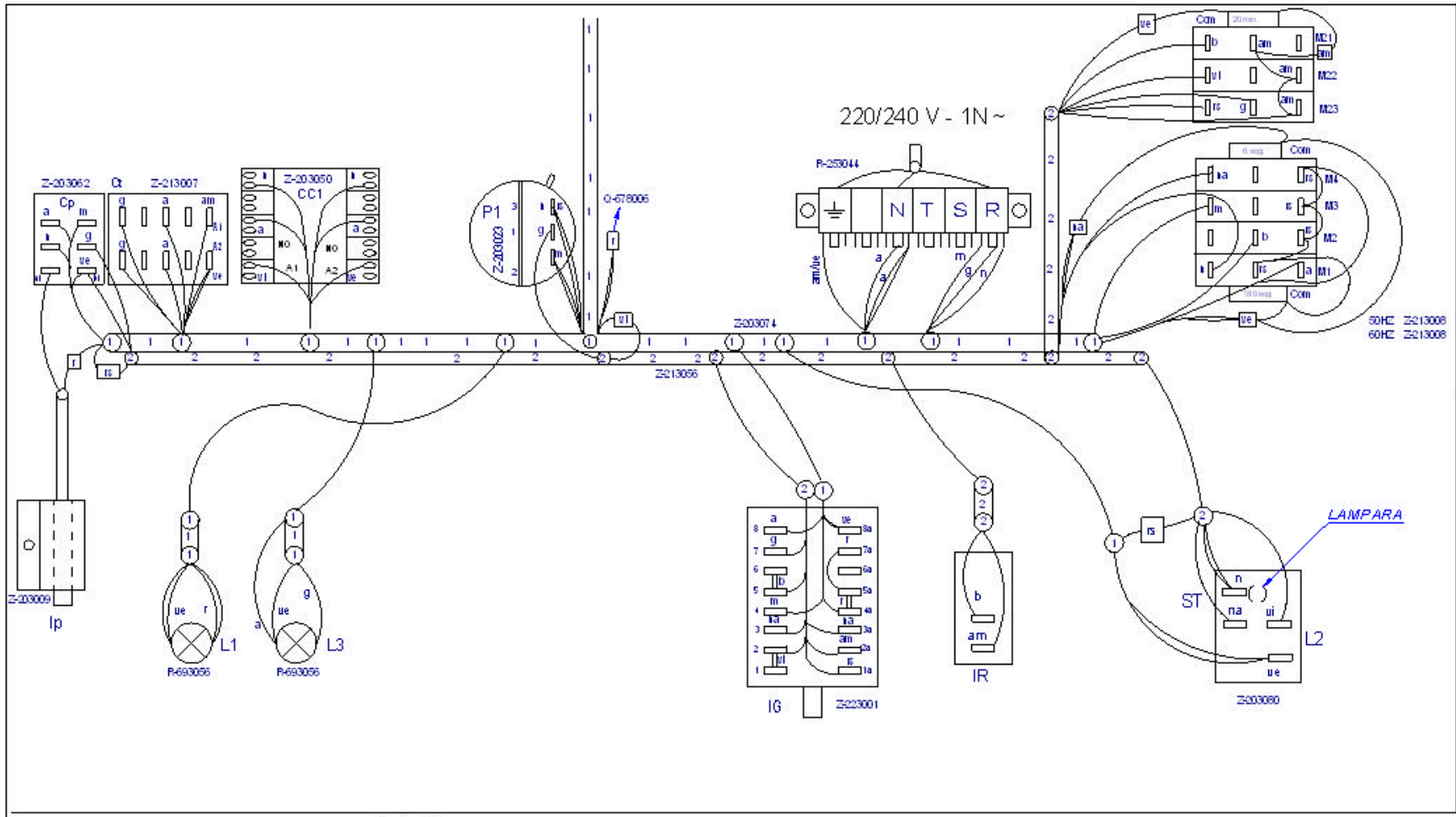


|                       |                                    |              |                |
|-----------------------|------------------------------------|--------------|----------------|
| Plano Montaje FI-48 B |                                    | ZZ23058000   |                |
| Nº                    | Pieza                              | Materia      | Nº Clasificado |
| Nº                    | Modificación                       | Propósito de | Fecha          |
| 1                     | Corrección en nueva estética Fagor | scara        | 2006-11-30     |
|                       |                                    |              |                |
|                       |                                    |              |                |
|                       |                                    |              |                |
|                       |                                    |              |                |

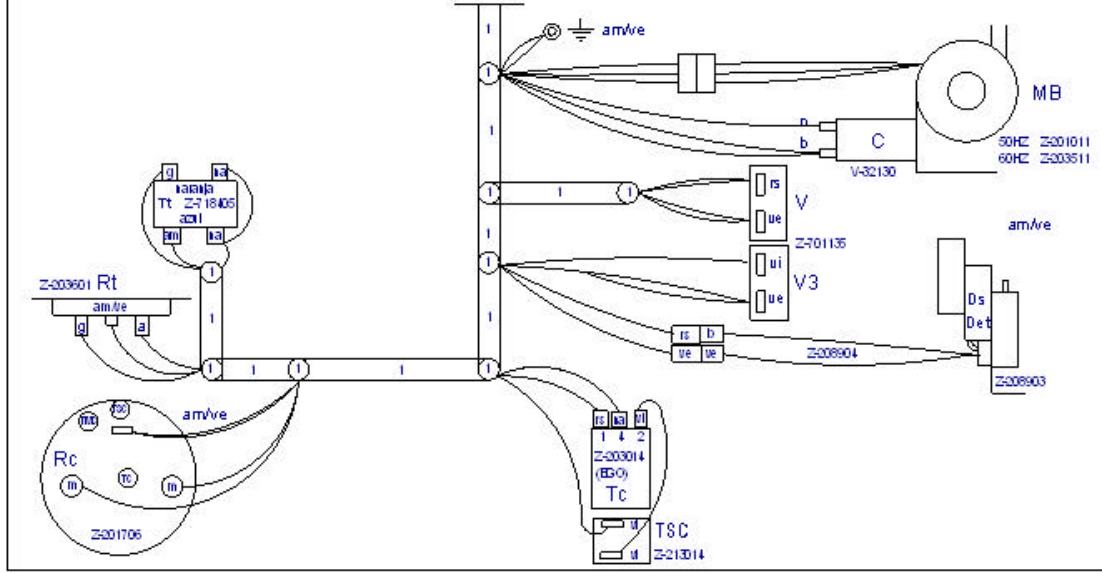
|  |  |  |   |
|--|--|--|---|
| Dibujado<br>M. Mallo<br>07-10-2005<br>Projectado<br>M. Mallo<br>07-10-2005<br>Comprobado<br>M. Mallo<br>07-10-2005<br>Escala | Firma<br>M. Mallo<br>Fecha<br>07-10-2005<br>07-10-2005<br>07-10-2005 | <b>FAGOR</b><br>Fagor Industrial, Coop. Ek. Meritxue | Mecanizado superficial<br>Plano número<br><b>HC-17915 -1</b><br>Sección y a N°<br>Sistema por |
|--|--|--|---|

LAVAVAJILLAS

HC-17915 -1

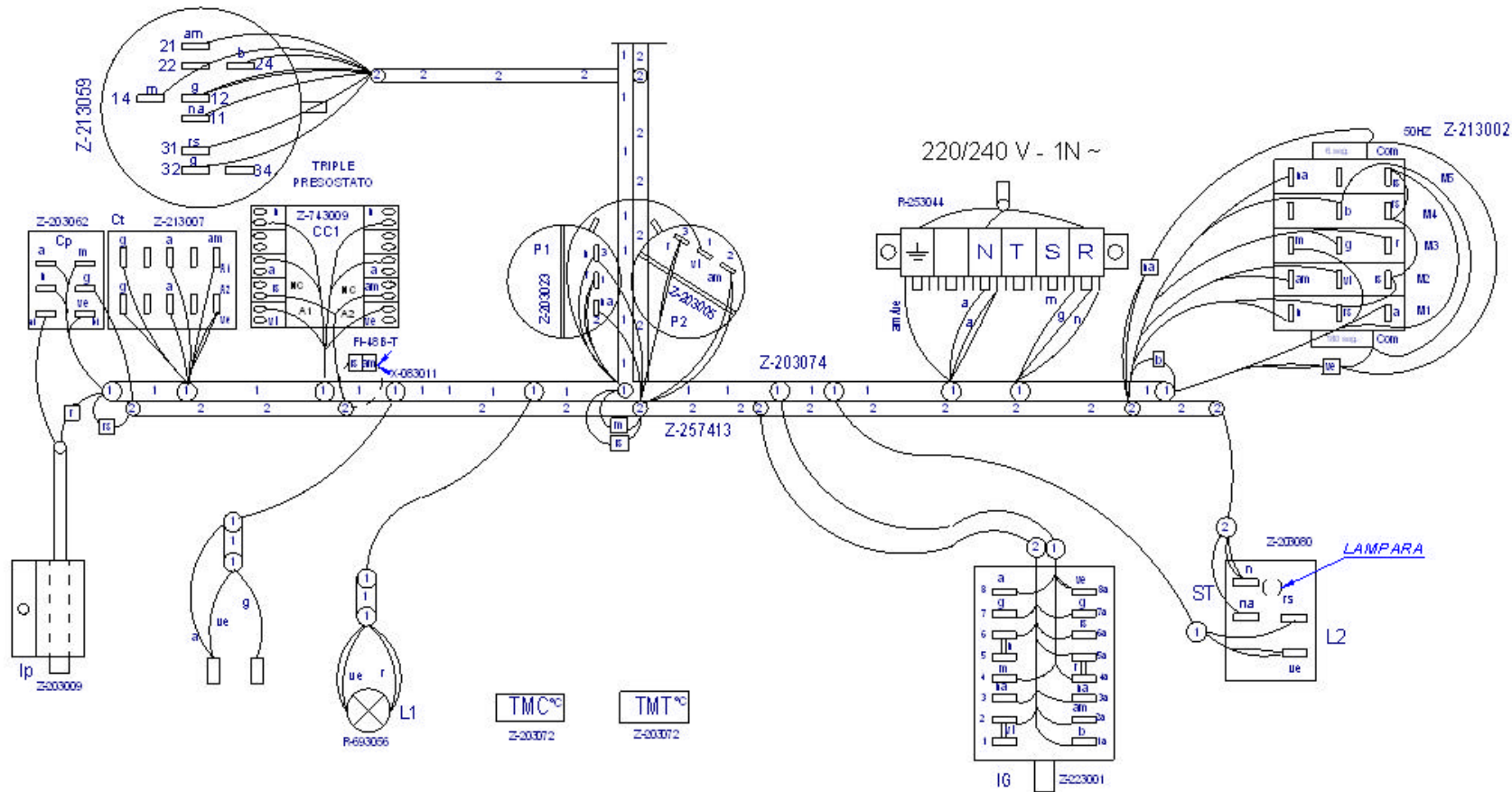


ESQUEMA TEORICO Z-213057  
 LEYENDA Z-213051  
 INDICADOR DE COMPONENTES Z-13034

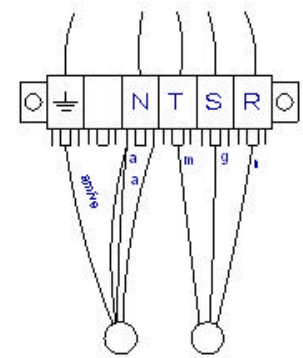


|                       |                                    |              |                       |
|-----------------------|------------------------------------|--------------|-----------------------|
| Plano Montaje FI-48 D |                                    | Z-213058000  |                       |
| Nº                    | Pieza                              | Materia      | Nº Clasificado        |
| Nº                    | Modificación                       | Propósito de | Fecha                 |
| 1                     | Corrección en nueva estética Fagor | s.caro       | 2006-11-30            |
|                       |                                    |              | Tolerancias generales |
|                       |                                    |              | < 3% : 50-100%        |
|                       |                                    |              | 5-25% : > 100%        |
|                       |                                    |              | 25-50% : < 4%         |

| <table border="1"> <tr> <th>Fecha</th> <th>Firma</th> </tr> <tr> <td>20-01-2006</td> <td>M. Mallo</td> </tr> <tr> <td>20-01-2006</td> <td>M. Mallo</td> </tr> <tr> <td>20-01-2006</td> <td>M. Mallo</td> </tr> </table> | Fecha    | Firma | 20-01-2006 | M. Mallo | 20-01-2006 | M. Mallo | 20-01-2006 | M. Mallo | <p><b>FAGOR</b></p> <p>Fagor Industrial, S.p.A. - Megretia</p> | <p>Mecanizado superficial</p> <p>Plano número<br/><b>HC-17932 -1</b></p> <p>Sustituye a N°</p> <p>Sistema por</p> |
|---|----------|-------|------------|----------|------------|----------|------------|----------|--|---|
| Fecha   | Firma    |       |            |          |            |          |            |          |  |   |
| 20-01-2006  | M. Mallo |       |            |          |            |          |            |          |  |   |
| 20-01-2006  | M. Mallo |       |            |          |            |          |            |          |  |   |
| 20-01-2006  | M. Mallo |       |            |          |            |          |            |          |  |   |
| <p><b>LAVAVAJILLAS</b></p> <p>Para obtener más detalles consulte el manual de usuario</p>   |          |       |            |          |            |          |            |          |  |   |

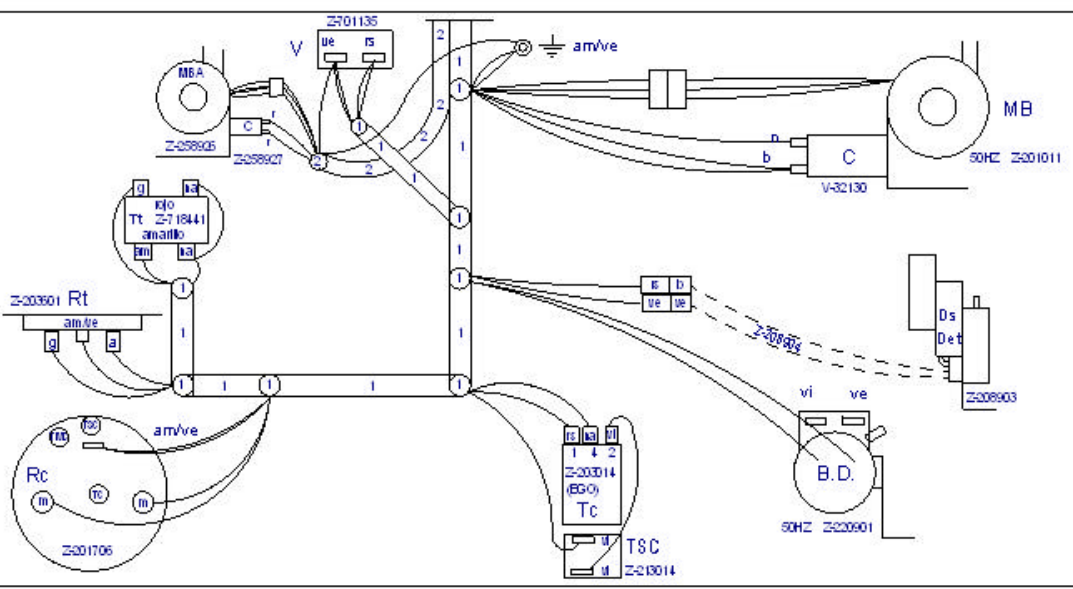


380/415 V - 3N~



ESQUEMA TEORICO  
LEYENDA  
INDICADOR DE COMPONENTES

Z227413  
Z-24051  
Z113034



|                                       |                                    |                  |                               |
|---------------------------------------|------------------------------------|------------------|-------------------------------|
| Plano Montaje FI-48 CLINIC, FI-48 B-T |                                    | Z227414000       |                               |
| Nº Pieza                              | Material                           | Nº Clasificación | Acabado                       |
| Nº Modificación                       | Propósito de                       | Fecha            | Tolerancias generales         |
| 1                                     | Corrección en nueva estética Fagor | 2006-11-30       |                               |
|                                       |                                    |                  | <3% : <math>5-100\mu</math>   |
|                                       |                                    |                  | 5-25% : <math>> 100\mu</math> |
|                                       |                                    |                  | 25-50% : <math>0\mu</math>    |

|   |           |          |            |            |            |          |       |            |            |  |       |            |        |  |  |  |   |  |
|---|-----------|----------|------------|------------|------------|----------|-------|------------|------------|--|-------|------------|--------|--|--|--|---|--|
| <table border="1"> <tr> <td>Elaborado</td> <td>M. Mallo</td> <td>Fecha</td> <td>07-10-2005</td> </tr> <tr> <td>Proyectado</td> <td>M. Mallo</td> <td>Fecha</td> <td>07-10-2005</td> </tr> <tr> <td>Comprobado</td> <td></td> <td>Fecha</td> <td>07-10-2005</td> </tr> <tr> <td>Escala</td> <td></td> <td></td> <td></td> </tr> </table> | Elaborado | M. Mallo | Fecha      | 07-10-2005 | Proyectado | M. Mallo | Fecha | 07-10-2005 | Comprobado |  | Fecha | 07-10-2005 | Escala |  |  |  | <p><b>FAGOR</b></p> <p>Fagor Industrial,oop,Et, Megalga</p> | <p>Mecanizado superficial</p> <p>Plano número<br/><b>HC-17918 -1</b></p> <p>Sustituye al N°</p> <p>Sustituye por</p> |
| Elaborado   | M. Mallo  | Fecha    | 07-10-2005 |            |            |          |       |            |            |  |       |            |        |  |  |  |   |  |
| Proyectado  | M. Mallo  | Fecha    | 07-10-2005 |            |            |          |       |            |            |  |       |            |        |  |  |  |   |  |
| Comprobado  |           | Fecha    | 07-10-2005 |            |            |          |       |            |            |  |       |            |        |  |  |  |   |  |
| Escala  |           |          |            |            |            |          |       |            |            |  |       |            |        |  |  |  |   |  |

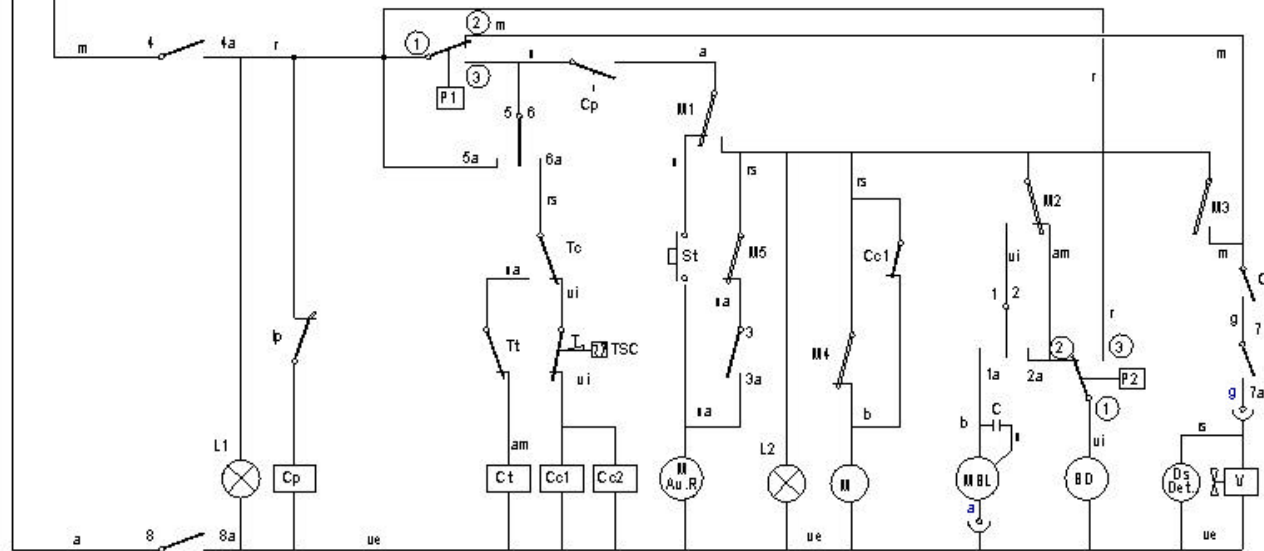
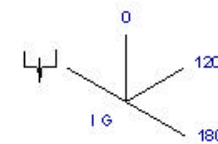
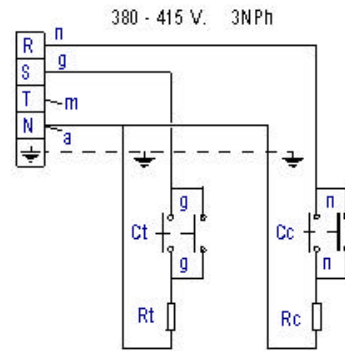
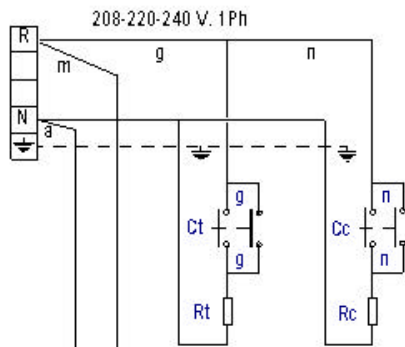
LAVAVAJILLAS

Plano homologado en el sistema de gestión de calidad Fagor





# FI-48B SHARPLINE



| I G | 1-1a | 2-2a | 3-3a | 4-4a | 5-5a | 6-6a | 7-7a | 8-8a |
|-----|------|------|------|------|------|------|------|------|
| I G |      | X    |      | X    | X    |      |      | X    |
| 0   |      |      |      |      |      |      |      |      |
| 120 | X    |      | X    | X    |      | X    | X    | X    |
| 180 | X    |      |      | X    |      | X    | X    | X    |

Z-229211000

|   |               |                     |                      |
|---|---------------|---------------------|----------------------|
| Esquema Teorico FI-48B SHARPLINE                              |               | Z229211000          |                      |
| Nº  | Pieza         | Material            | IPC/Clasificador     |
| Nº  | Modificacio   | Propuesta de        | Fecha                |
|   |               | To E mchb g e rales |                      |
|   |               | <3s                 |                      |
|   |               | 5-25s               |                      |
|   |               | 25-60s              |                      |
|   |               | 10-100s             |                      |
|   |               | > 100s              |                      |
|   |               | O                   |                      |
| Elaborado   | M. Mallo      | Fecha               | 07-10-2005           |
| Proyectado  | M. Mallo      | Fecha               | 07-10-2005           |
| Comprobado  | <i>ENRILL</i> | Fecha               | 07-10-2005           |
| Escala  |               |                     |                      |
| <b>FAGOR</b>  |               |                     | Mecanizado en planta |
| Fagor Industrial, Coop. Eki, Miraflores                       |               |                     | Plano numero         |
| <b>LAVAVAJILLAS</b>   |               |                     | HC-17911             |
| Para hacer clic en cada uno de los botones de comando, pulsar |               |                     | Sustituye al N°      |
|   |               |                     | Sustituye por        |

# LEYENDA APERTURA FRONTAL

|            | ESPAÑOL                           | FRANÇAIS                        | ENGLISH                      | DEUTSCH                                     | ITALIANO                                |
|------------|-----------------------------------|---------------------------------|------------------------------|---|---|
| BD         | Bomba desagüe                     | Pompe de vidange                | Drain pump                   | Abflußpumpe                                 | Pompa scarico                           |
| C 1/2/3    | Condensador                       | Condensateur                    | Condenser                    | Kondensator                                 | Condensatore                            |
| CMB        | Contactora bomba lavado           | Contacteur pompe lavage         | Wash pump contactor          | Kontaktschütz Waschpumpe                    | Contattore pompa lavaggio               |
| Cc 1/2     | Contactora calentamiento calderin | Contacteur chauff. surchauffeur | Boiler heating contactor     | Kontaktschütz Boilerheizung                 | Contattore riscaldamento boiler         |
| Ct         | Contactora calentamiento tanque   | Contacteur chauffage cuve       | Tank heating contactor       | Kontaktschütz Heizung Tank                  | Contattore riscaldamento serbatoio      |
| CP         | Rele puerta                       | Relais porte                    | Door relay                   | Türrelais                                   | Rele porta                              |
| Ds.Det.    | Dosificador detergente            | Dosseur de detergent            | Detergent doser              | Dosierer Spülmittel                         | Dosatore detersivo                      |
| E.B        | Electrobomba de presion           | Electropompe de pression        | Electric pressure pump       | Elektro-Drucksteigerungspumpe               | Electropompa pressione                  |
| IG         | Interruptor general               | Interrupteur general            | Main switch                  | Hauptschalter                               | Interruttore generale                   |
| IP         | Micro puerta                      | Micro porte                     | Door microswitch             | Mikroschalter Tür                           | Micro porta                             |
| L1         | Piloto de encendido               | Voyant fonctionnement           | Operation light              | Betriebsanzeigelampe                        | Spia accensione                         |
| L2         | Piloto marcha                     | Voyant demarrage                | Start light                  | Startanzeigelampe                           | Spia avvio                              |
| L3         | Piloto maquina preparada          | Voyant machine prêt             | Light machine ready          | Betriebsbereitschaftsanzeigelampe           | Pilota macchina preparata               |
| MBL        | Bomba lavado                      | Pompe lavage                    | Wash pump                    | Waschpumpe                                  | Pompa lavaggio                          |
| M          | Motor programador                 | Moteur du programmeur           | Motor programmer             | Motor Programmiervorrichtung                | Motore programmatore                    |
| M Av. R    | Motor program. avance rapido      | Moteur du progr.avance rapide   | Motor program. rapid advance | Motor Programmiervorrich. schneller Vorlauf | Motore programmatore avanzamento rapido |
| M1         | Micro programador marcha          | Micro du programm. de marche    | Micro programmer on          | Motor Programmiervorrich. Betrieb           | Micro programma. di funzionamento       |
| M2         | Micro programador lavado          | Micro du programm. de lavage    | Micro programmer wash        | Motor Programmiervorrich. Waschen           | Micro programmatore di lavaggio         |
| M3         | Micro programador aclarado        | Micro du programm. de rinçage   | Micro programmer on          | Motor Programmiervorrich. Spülen            | Micro programmatore di risciacquo       |
| M4         | Micro programador Termo-stop      | Micro du programm. Thermo-stop  | Micro programmer Thermo-stop | Motor Programmiervorrich. Thermo-Stop       | Micro programmatore Thermo-stop         |
| M5         | Micro programador avance          | Micro du programm. avance       | Micro programmer advance     | Motor Programmiervorrich. Vorlauf           | Micro programmatore avanzamento         |
| P, P1, P5  | Presostato                        | Pressostat                      | Pressure switch              | Druckwächter                                | Pressostato                             |
| P2, P3, P4 | Presostato limitador              | Pressostat de securité          | Hi-limit pressure switch     | Begrenzer Druckwächter                      | Pressostato limitatore                  |
| RC         | Resistencia calderin              | Resistance surchauffeur         | Boiler heating element       | Heizwiderstand Boiler                       | Resistenza boiler                       |
| RT         | Resistencia tanque                | Resistance cuve                 | Tank heater                  | Heizwiderstand Tank                         | Resistenza serbatoio                    |
| Tt         | Termostato tanque                 | Thermostat de cuve              | Tank thermostat              | Thermostat Tank                             | Termostato serbatoio                    |
| TC         | Termostato calderin               | Thermostat surchauffeur         | Boiler thermostat            | Thermostat kessel                           | Termostato boiler                       |
| TSC        | Limitador calderin                | Limiteur surchauffeur           | Boiler Hi-limit              | Begrenzer Boiler                            | Limitatore boiler                       |
| TSTP       | Termostato termo-stop             | Thermostat Thermo-stop          | Thermo-stop Thermostat       | Thermostat Thermo-stop                      | Termostato Thermo-stop                  |
| V          | Electrovalvula llenado y aclarado | Electrovan. remplissage rinçage | Fill and rinse valve         | Elektroventil Füllen und Spülen             | Elettroval. riempimento e risciacquo    |
| COLOR      | COLORES                           | COULEURS                        | COLOUR                       | FARBEN                                      | COLORE                                  |
| a =        | Azul                              | Bleu                            | Blue                         | Blau  | Blu                                     |
| am =       | Amarillo                          | Jaune                           | Yellow                       | Gelb  | Giallo                                  |
| am/ve =    | Amarillo/verde                    | Jaune / vert                    | Yellow / green               | Gelb/grün                                   | Giallo/verde                            |
| b =        | Blanco                            | Blanc                           | White                        | Weiß  | Bianco                                  |
| g =        | Gris                              | Gris                            | Grey                         | Grau  | Grigio                                  |
| m =        | Marrón                            | Marron                          | Brown                        | Braun                                       | Marrone                                 |
| n =        | Negro                             | Noir                            | Black                        | Schwarz                                     | Nero                                    |
| na =       | Naranja                           | Orange                          | Orange                       | Orange                                      | Arancio                                 |
| r =        | Rojo                              | Rouge                           | Red                          | Rot   | Rosso                                   |
| rs =       | Rosa                              | Rose                            | Pink                         | Rosa  | Roseo                                   |
| ve =       | Verde                             | Vert                            | Green                        | Grün  | Verde                                   |
| vi =       | Violeta                           | Violet                          | Purple                       | Violett                                     | Viola                                   |

Z243051000