

**Lavavajillas de capota  
Lave-vaisselle d' capot  
Pass-through dishwasher  
Durchschub geschirrspüler  
Lavastoviglie a cappuccio  
Lava-louças de capota**

**Modelos:**

**FI-100  
FI-100 B  
FI-100 AR  
FI-100B BT UK**

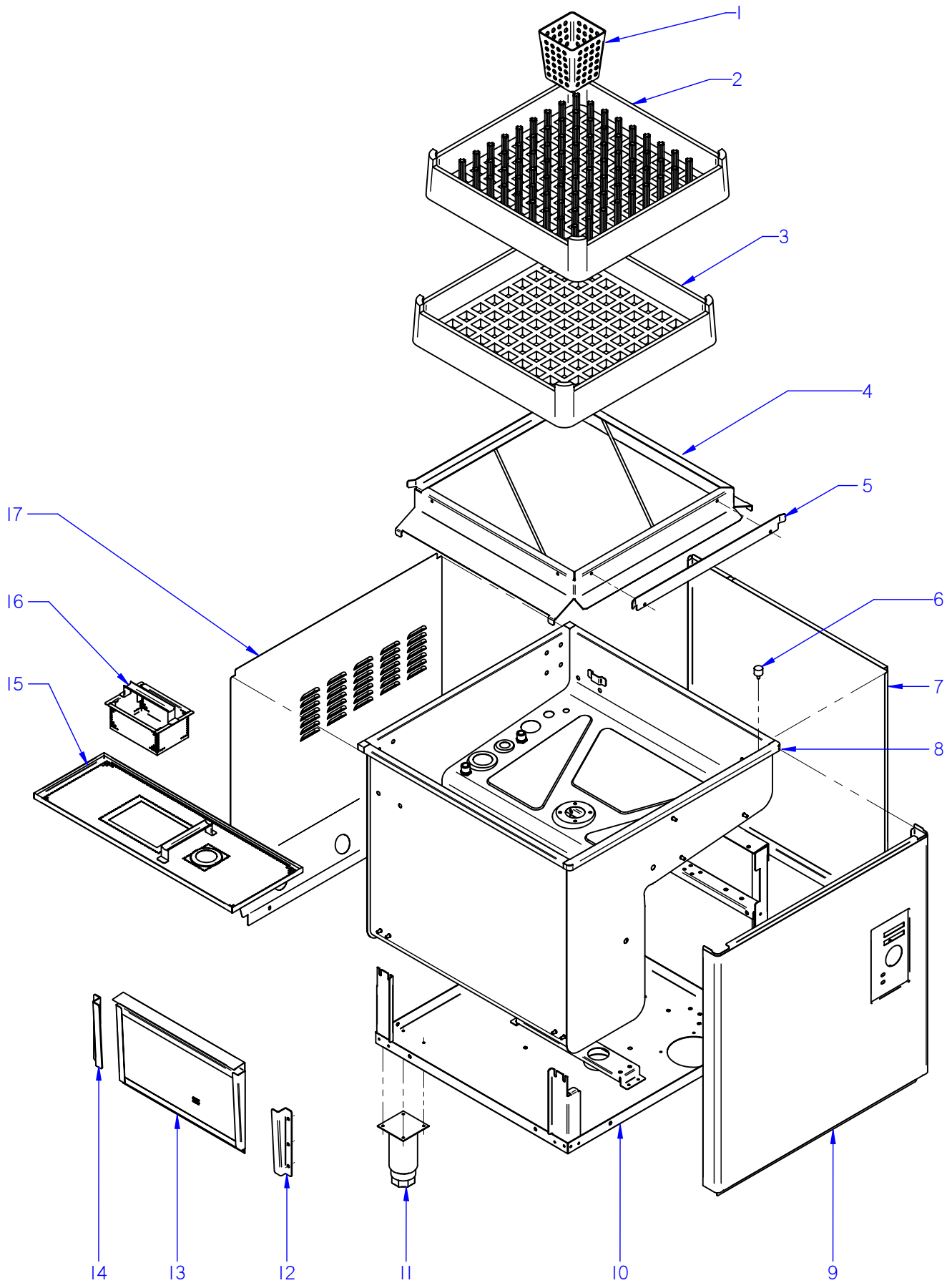
***Julio 2007 July***

***Revisado Septiembre 2013 September Revised***



---

F A G O R I N D U S T R I A L

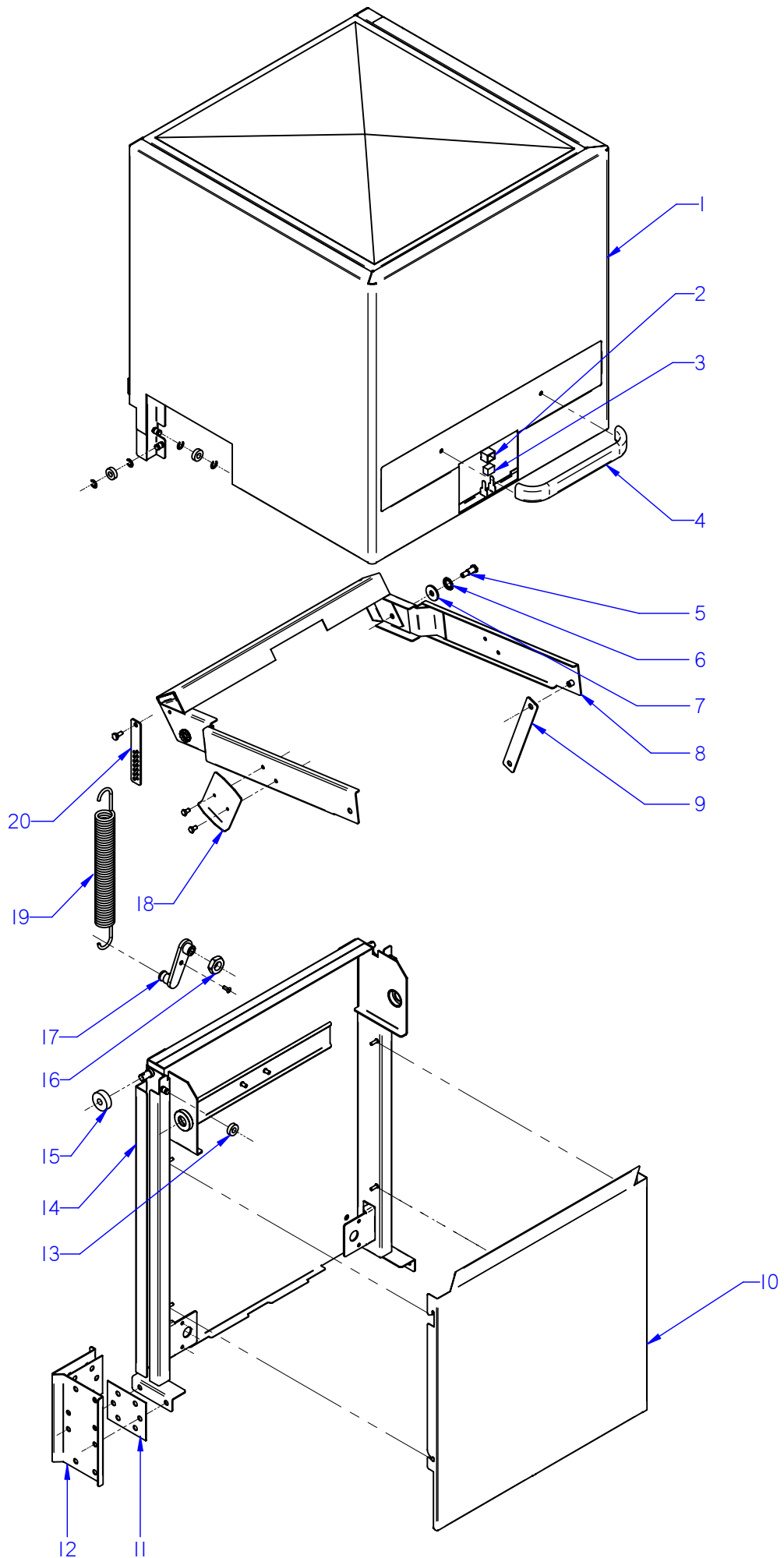


ITEM MARCADO EN COLOR = REPUESTO RECOMENDADO  
 COLOURED ITEM = RECOMMENDED SPARE PART

|         |                    |         |                     |        |        |                                       |
|---------|--------------------|---------|---------------------|--------|--------|---------------------------------------|
| N plano | Firma              | Fecha   | Aparato             | MUEBLE | Lamina | Fagor Industrial S.Coop. <b>FAGOR</b> |
| C-1880  | <i>(Signature)</i> | 2007-07 | LAVAVAJILLAS FI-100 |        | 1      | Oñate                                 |

| MOD. |            | LAVAVAJILLAS DE CAPOTA      |                            | ZONA   | MUEBLE   |           |               |  | PLANO | C-1880               |
|------|------------|-----------------------------|----------------------------|--------|----------|-----------|---------------|--|-------|----------------------|
| ITEM | CODIGO     | DENOMINACION                | TEXTO                      | FI-100 | FI-100 B | FI-100 AR | FI-100B BT UK |  |       | NOTAS                |
| 1    | Z655314000 | CESTILLO CUBIERTOS          | CUTLERY BASKET             | 8      | 8        | 8         | 8             |  |       |                      |
| 2    | Z655302000 | CESTILLO PLATOS CP-16-18    | PLATE BASKET CP-16-18      | 1      | 1        | 1         |               |  |       |                      |
| 3    | Z655301000 | CESTILLO BASE CT-10         | BASE BASKET CT-10          | 1      | 1        | 1         | 1             |  |       |                      |
| 4    | Z710325000 | BASE CESTILLO COMPLETA      | COMPLETE BASKET BASE       | 1      | 1        | 1         | 1             |  |       | ELIMINADO 26.09.01   |
| 4    | Z710377000 | BASE CESTILLO COMPLETA      | COMPLETE BASKET BASE       | 1      | 1        | 1         | 1             |  |       | INTRODUCIDO 26.09.01 |
| 5    | Z710326000 | GUIA CESTILLO               | BASKET GUIDE               | 1      | 1        | 1         | 1             |  |       |                      |
|      | Q152004000 | TORNILLO APLAST. M5x13 A304 | MUSHROOM HEAD BOLT M5x13   | 2      | 2        | 2         | 2             |  |       |                      |
|      | Q242030000 | ARANDELA ABANICO A5 A.304   | FAN WASHER A5 A.304        | 2      | 2        | 2         | 2             |  |       |                      |
|      | Q162030000 | TUERCA EXAGONAL M5          | HEXAGONAL NUT M5           | 2      | 2        | 2         | 2             |  |       |                      |
|      | Q308000000 | ARANDELA DUBO A.8           | DUBO A.8 WASHER            | 14     | 14       | 14        | 14            |  |       |                      |
| 6    | Z710316000 | AMORTIGUADOR                | DAMPER                     | 2      | 2        | 2         | 2             |  |       |                      |
|      | Q262040000 | ARANDELA GROW. A6 A.304     | WASHER GROW. A6 A.304      | 2      | 2        | 2         | 2             |  |       |                      |
|      | Q162040000 | TUERCA EXAGONAL M6          | HEXAGONAL NUT M6           | 2      | 2        | 2         | 2             |  |       |                      |
|      | Q012073000 | TORNILLO EXAGONAL M12x20    | HEXAGONAL BOLT M12x20      | 1      | 1        | 1         | 1             |  |       |                      |
|      | Q306024000 | JUNTA 18x12.2x1.5           | SEAL 18x12.2x1.5           | 1      | 1        | 1         | 1             |  |       |                      |
|      | Q162070000 | TUERCA EXAGONAL M12         | HEXAGONAL NUT M12          | 1      | 1        | 1         | 1             |  |       |                      |
| 7    | Z749311000 | PANEL LATERAL DCHO          | RIGHT SIDE PANEL           | 1      | 1        | 1         | 1             |  |       |                      |
| S/Nº | Z749312000 | PANEL LATERAL IZDO.         | LEFT SIDE PANEL            | 1      | 1        | 1         | 1             |  |       |                      |
| 8    | Z710301000 | CUBA COMPLETA FI-100        | COMPLETE TUB FI-100        | 1      | 1        |           |               |  |       | ELIMINADO 20.06.08   |
| 8    | Z710375000 | CUBA COMPLETA FI-100        | COMPLETE TUB FI-100        | 1      | 1        |           |               |  |       | ELIMINADO 06.07.10   |
| 8    | Z710381000 | CUBA COMPLETA FI-100-120    | COMPLETE TUB FI-100-120    | 1      | 1        |           |               |  |       | INTRODUCIDO 06.07.10 |
| 8    | Z718305000 | CUBA COMPLETA FI-100 AR     | COMPLETE TUB FI-100        |        |          | 1         |               |  |       | ELIMINADO 20.06.08   |
| 8    | Z718307000 | CUBA COMPLETA FI-100 AR     | COMPLETE TUB FI-100        |        |          | 1         |               |  |       | ELIMINADO 06.07.10   |
| 8    | Z718308000 | CUBA COMPLETA FI-100-120 AR | COMPLETE TUB FI-100-120 AR |        |          | 1         |               |  |       | INTRODUCIDO 06.07.10 |
| 8    | Z718914000 | CUBA COMPLETA CLINIC        | COMPLETE TUB CLINIC        |        |          |           | 1             |  |       | ELIMINADO 20.06.08   |
| 8    | Z718956000 | CUBA COMPLETA CLINIC        | COMPLETE TUB CLINIC        |        |          |           | 1             |  |       | ELIMINADO 06.07.10   |
| 8    | Z727401000 | CUBA COMPLETA FI-120 CLINIC | COMPLETE TUB FI-120 CLINIC |        |          |           | 1             |  |       | INTRODUCIDO 06.07.10 |
|      | Q232040000 | ARANDELA A6                 | WASHER A6                  | 4      | 4        | 4         | 4             |  |       |                      |
|      | Q302022000 | ARANDELA 16x6x1.2 A.304     | WASHER 16X6X1.2 A.304      | 4      | 4        | 4         | 4             |  |       |                      |
|      | Q262040000 | ARANDELA GROW. A6 A.304     | WASHER GROW. A6 A.304      | 8      | 8        | 8         | 8             |  |       |                      |
|      | Q162040000 | TUERCA EXAGONAL M6          | HEXAGONAL NUT M6           | 8      | 8        | 8         | 8             |  |       |                      |

| MOD. |            | LAVAVAJILLAS DE CAPOTA        |                             | ZONA   | MUEBLE   |           |               |  | PLANO | C-1880                 |
|------|------------|-------------------------------|-----------------------------|--------|----------|-----------|---------------|--|-------|------------------------|
| ITEM | CODIGO     | DENOMINACION                  | TEXTO                       | FI-100 | FI-100 B | FI-100 AR | FI-100B BT UK |  |       | NOTAS                  |
| 9    | Z712927000 | PANEL FRONTAL FI-120          | FRONT PANEL FI-80           | 1      | 1        | 1         | 1             |  |       | ELIMINADO 29.01.2013   |
| 9    | 12048218   | PANEL FRONTAL FI FAGOR COMP.  | FRONT PANEL FI FAGOR COMP.  | 1      | 1        | 1         | 1             |  |       | INTRODUCIDO 29.01.2013 |
| S/Nº | Z206135000 | CHECK LIST LAVAVAJILLAS FAGOR | CHECK LIST                  | 1      | 1        | 1         | 1             |  |       | INTRODUCIDO 19.07.10   |
| 10   | Z749303000 | ARMAZON COMPLETO              | COMPLETE FRAME              | 1      | 1        | 1         |               |  |       |                        |
| 10   | Z718921000 | ARMAZON COMPLETO CLINIC       | COMPLETE FRAME CLINIC       |        |          |           | 1             |  |       |                        |
| 11   | X260151000 | PATA REGULABLE                | ADJUSTABLE LEG              | 4      | 4        | 4         | 4             |  |       |                        |
|      | Q411304000 | REMACHE AVIBULB Ø 4,8         | AVIBULB RIVET Ø4.8          | 16     | 16       | 16        | 16            |  |       |                        |
| 12   | Z710309000 | GUIA FILTRO ANTERIOR          | FRONT FILTER GUIDE          | 1      | 1        | 1         | 1             |  |       |                        |
|      | Q232040000 | ARANDELA A6                   | WASHER A6                   | 2      | 2        | 2         | 2             |  |       |                        |
|      | Q162040000 | TUERCA EXAGONAL M6            | HEXAGONAL NUT M6            | 2      | 2        | 2         | 2             |  |       |                        |
| 13   | Z710907000 | FILTRO COMPLETO               | COMPLETE FILTER             | 1      | 1        | 1         | 1             |  |       | ELIMINADO 18.02.2013   |
| 13   | 12048626   | FILTRO                        | FILTER                      | 1      | 1        | 1         | 1             |  |       | INTRODUCIDO 18.02.2013 |
| 14   | Z710310000 | GUIA FILTRO POSTERIOR         | REAR FILTER GUIDE           | 1      | 1        | 1         | 1             |  |       |                        |
|      | Q232040000 | ARANDELA A6                   | WASHER A6                   | 2      | 2        | 2         | 2             |  |       |                        |
|      | Q162040000 | TUERCA EXAGONAL M6            | HEXAGONAL NUT M6            | 2      | 2        | 2         | 2             |  |       |                        |
| 15   | Z710801000 | BANDEJA COMPLETA              | COMPLETE TRAY               | 1      | 1        | 1         | 1             |  |       |                        |
| 16   | Z710804000 | RECOGEDOR DESPERDICIOS        | WASTE COLLECTION            | 1      | 1        | 1         | 1             |  |       |                        |
| 17   | Z742905000 | PANEL POSTERIOR FI-80         | REAR PANEL FI-80            | 1      | 1        | 1         | 1             |  |       |                        |
|      | 3713500000 | PERFIL CUBREARISTAS PLASTICO  | PLASTIC EDGE COVER PROFILE  | 3      | 3        | 3         | 3             |  |       |                        |
|      | Q152004000 | TORNIL, APLASTADO M5x13 A304  | FLAT HEADED BOLT M5x13 A304 | 2      | 2        | 2         | 2             |  |       |                        |
|      | Z712911000 | TOPE 80x80x20                 | BUFFER 80x80x20             | 6      | 6        | 6         | 6             |  |       |                        |
|      |            |                               |                             |        |          |           |               |  |       |                        |
|      |            |                               |                             |        |          |           |               |  |       |                        |
|      |            |                               |                             |        |          |           |               |  |       |                        |
|      |            |                               |                             |        |          |           |               |  |       |                        |
|      |            |                               |                             |        |          |           |               |  |       |                        |
|      |            |                               |                             |        |          |           |               |  |       |                        |
|      |            |                               |                             |        |          |           |               |  |       |                        |
|      |            |                               |                             |        |          |           |               |  |       |                        |
|      |            |                               |                             |        |          |           |               |  |       |                        |
|      |            |                               |                             |        |          |           |               |  |       |                        |
|      |            |                               |                             |        |          |           |               |  |       |                        |
|      |            |                               |                             |        |          |           |               |  |       |                        |



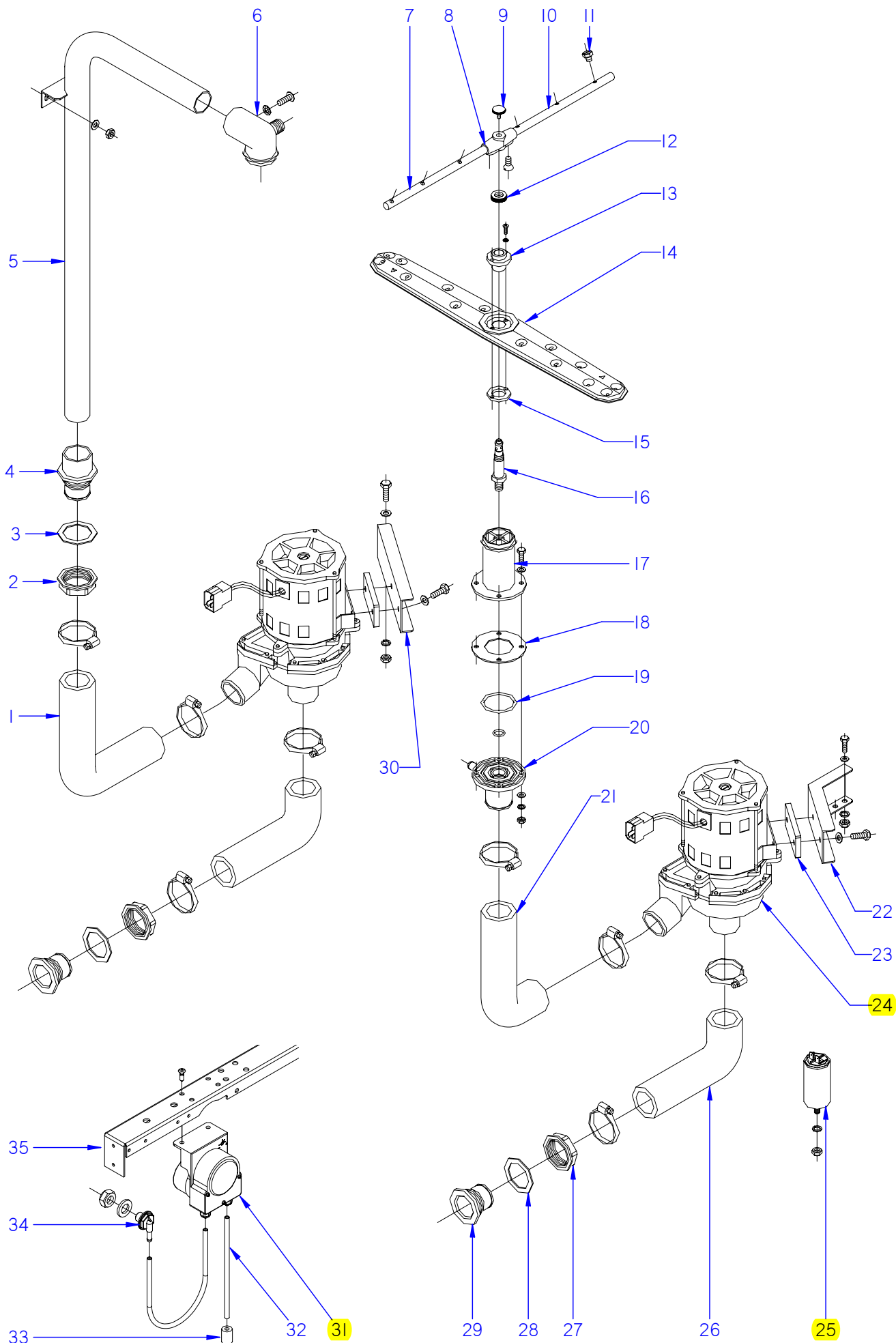
ITEM MARCADO EN COLOR = REPUESTO RECOMENDADO  
 COLOURED ITEM = RECOMMENDED SPARE PART

|         |                    |         |                     |      |        |                                       |
|---------|--------------------|---------|---------------------|------|--------|---------------------------------------|
| N plano | Firma              | Fecha   | Aparato             | CAPO | Lamina | Fagor Industrial S.Coop. <b>FAGOR</b> |
| C-1881  | <i>(Signature)</i> | 2007-07 | LAVAVAJILLAS FI-100 |      | 2      | Oñate                                 |

| MOD. |            | LAVAVAJILLAS DE CAPOTA        |                             | ZONA   | CAPO     |           |               |  | PLANO | C-1881               |
|------|------------|-------------------------------|-----------------------------|--------|----------|-----------|---------------|--|-------|----------------------|
| ITEM | CODIGO     | DENOMINACION                  | TEXTO                       | FI-100 | FI-100 B | FI-100 AR | FI-100B BT UK |  |       | NOTAS                |
| 1    | Z710580000 | CAPO COMPLETO                 | COMPLETE STRAIGHT HOOD      | 1      | 1        | 1         | 1             |  |       | ELIMINADO 20.04,09   |
| 1    | Z710557000 | CAPO COMPLETO                 | COMPLETE STRAIGHT HOOD      | 1      | 1        | 1         | 1             |  |       | INTRODUCIDO 20.04,09 |
|      | Z710515000 | CASQUILLO RODANTE             | REVOLVING BUSHING           | 4      | 4        | 4         | 4             |  |       |                      |
|      | Q271006000 | ARANDELA DE SEGURIDAD 8       | SAFETY WASHER 8             | 8      | 8        | 8         | 8             |  |       |                      |
| 2    | Z200507000 | PROTECTOR IMAN                | MAGNET PROTECTOR            | 1      | 1        | 1         | 1             |  |       |                      |
| 3    | Z200506000 | IMAN                          | MAGNET                      | 1      | 1        | 1         | 1             |  |       |                      |
| 4    | Z400542000 | ASA LVS.                      | AD HOOD HANDLE              | 1      | 1        | 1         | 1             |  |       |                      |
|      | Q032041000 | TORNILLO ALOMADO M6x10        | CURVED SCREW M6x10          | 2      | 2        | 2         | 2             |  |       |                      |
|      | Q308002000 | ARANDELA DUBO A6 NYLON        | WASHER DUBO A6 NYLON        | 2      | 2        | 2         | 2             |  |       |                      |
| 5    | Z710542000 | EJE DE GIRO                   | ROTARY SHAFT                | 2      | 2        | 2         | 2             |  |       |                      |
| 6    | Z710541000 | RODAMIENTO 6200-2RS1          | BEARING 6200-2RS1           | 2      | 2        | 2         | 2             |  |       |                      |
| 7    | Q308012000 | ARANDELA 30x10x3              | WASHER 30x10x3              | 2      | 2        | 2         | 2             |  |       |                      |
| 8    | Z710517000 | BALANCIN COMPLETO             | COMPLETE ROCKER ARM         | 1      | 1        | 1         | 1             |  |       |                      |
|      | Q232050000 | ARANDELA A8                   | WASHER A8                   | 2      | 2        | 2         | 2             |  |       |                      |
|      | Q262050000 | ARANDELA GROW. A8 A.304       | WASHER GROW. A8 A.304       | 2      | 2        | 2         | 2             |  |       |                      |
|      | Q162050000 | TUERCA EXAGONAL M8x1 INOX.    | HEXAGONAL NUT M8x1 INOX.    | 2      | 2        | 2         | 2             |  |       |                      |
| 9    | Z710523000 | BIELA                         | ROD                         | 2      | 2        | 2         | 2             |  |       |                      |
|      | Q308012000 | ARANDELA 30x10x3              | WASHER 30x10x3              | 8      | 8        | 8         | 8             |  |       |                      |
|      | Q232040000 | ARANDELA A6                   | WASHER A6                   | 4      | 4        | 4         | 4             |  |       |                      |
|      | Q262040000 | ARANDELA GROW. A6 A.304       | WASHER GROW. A6 A.304       | 4      | 4        | 4         | 4             |  |       |                      |
|      | Q012041000 | TORNILLO EXAGON. M6x10 A.304  | HEXAGONAL BOLT. M6x10 A.304 | 4      | 4        | 4         | 4             |  |       |                      |
| 10   | Z718932000 | CUBIERTA RESORTES             | SPRING COVER                | 1      | 1        | 1         | 1             |  |       |                      |
| 11   | Z710547000 | JUNTA SOPORTE CAPO            | HOOD SUPPORT SEAL           | 4      | 4        | 4         | 4             |  |       |                      |
|      | Q012053000 | TORNILLO EXAGON. M8x20 A.304  | HEXAGONAL BOLT. M8x20 A.304 | 10     | 10       | 10        | 10            |  |       |                      |
|      | Q013153000 | TORNILLO EX M-8x20 LATON CRO. | HEX BOLT M-8x20 CHR. BRASS  | 4      | 4        | 4         | 4             |  |       |                      |
|      | Q232050000 | ARANDELA A8                   | WASHER A8                   | 14     | 14       | 14        | 14            |  |       |                      |
|      | Q262050000 | ARANDELA GROW. A8 A.304       | WASHER GROW. A8 A.304       | 14     | 14       | 14        | 14            |  |       |                      |
|      | Q162050000 | TUERCA EXAG. M8x1 INOX.       | HEXAG. SCREW M8x1 STAINLES  | 10     | 10       | 10        | 10            |  |       |                      |
| 12   | Z710539000 | SOPORTE GUIA CAPO             | HOOD GUIDE SUPPORT          | 2      | 2        | 2         | 2             |  |       |                      |
| 13   | Z710515000 | CASQUILLO RODANTE             | REVOLVING BUSHING           | 2      | 2        | 2         | 2             |  |       |                      |
|      | Q271006000 | ARANDELA DE SEGURIDAD 8       | SAFETY WASHER 8             | 4      | 4        | 4         | 4             |  |       |                      |

|      |                        |      |      |       |        |
|------|------------------------|------|------|-------|--------|
| MOD. | LAVAVAJILLAS DE CAPOTA | ZONA | CAPO | PLANO | C-1881 |
|------|------------------------|------|------|-------|--------|

| ITEM | CODIGO     | DENOMINACION                 | TEXTO                       | FI-100 | FI-100 B | FI-100 AR | FI-100B BT UK |  |  |  | NOTAS |
|------|------------|------------------------------|-----------------------------|--------|----------|-----------|---------------|--|--|--|-------|
| 14   | Z710524000 | GUIA CAPO COMPLETA           | COMPLETE HOOD GUIDE         | 1      | 1        | 1         | 1             |  |  |  |       |
|      | Q352024000 | PASADOR DE ALETA 4x25        | WING PIN 4x25               | 2      | 2        | 2         | 2             |  |  |  |       |
| 15   | Z710546000 | CASQUILLO                    | BUSHING                     | 2      | 2        | 2         | 2             |  |  |  |       |
| 16   | Q222016000 | TUERCA EXAGONAL M20          | HEXAGONAL BOLT M20          | 2      | 2        | 2         | 2             |  |  |  |       |
| 17   | Z710529000 | TENSOR MUELLE                | TENSIONING SPRING           | 2      | 2        | 2         | 2             |  |  |  |       |
|      | Q152004000 | TORNILLO APLAST. M5x13 A 304 | MUSHROOM HEAD BOLT M5x13    | 2      | 2        | 2         | 2             |  |  |  |       |
| 18   | Z710548000 | ESCUADRA TOPE                | BUFFER BRACKET              | 2      | 2        | 2         | 2             |  |  |  |       |
|      | Q012041000 | TORN.EXA. M6X10 A.304        | HEXAGONAL BOLT. M6X10 A.304 | 4      | 4        | 4         | 4             |  |  |  |       |
|      | Q242040000 | ARANDELA ABANICO             | FAN WASHER                  | 4      | 4        | 4         | 4             |  |  |  |       |
| 19   | Z710528000 | RESORTE 29230                | SPRING 29230                | 2      | 2        | 2         | 2             |  |  |  |       |
| 20   | Z710543000 | ENGANCHE MUELLE              | SPRING HOOK                 | 2      | 2        | 2         | 2             |  |  |  |       |
|      | Z710544000 | EJE ENGANCHE MUELLE          | SPRING HOOK SHAFT           | 2      | 2        | 2         | 2             |  |  |  |       |
|      | Q232040000 | ARANDELA A6                  | WASHER A6                   | 2      | 2        | 2         | 2             |  |  |  |       |
|      | Q222012000 | TUERCA AUTOB. M6             | SELF-LOCK NUT M6            | 2      | 2        | 2         | 2             |  |  |  |       |
|      |            |                              |                             |        |          |           |               |  |  |  |       |
|      |            |                              |                             |        |          |           |               |  |  |  |       |
|      |            |                              |                             |        |          |           |               |  |  |  |       |
|      |            |                              |                             |        |          |           |               |  |  |  |       |
|      |            |                              |                             |        |          |           |               |  |  |  |       |
|      |            |                              |                             |        |          |           |               |  |  |  |       |
|      |            |                              |                             |        |          |           |               |  |  |  |       |
|      |            |                              |                             |        |          |           |               |  |  |  |       |
|      |            |                              |                             |        |          |           |               |  |  |  |       |
|      |            |                              |                             |        |          |           |               |  |  |  |       |
|      |            |                              |                             |        |          |           |               |  |  |  |       |
|      |            |                              |                             |        |          |           |               |  |  |  |       |
|      |            |                              |                             |        |          |           |               |  |  |  |       |
|      |            |                              |                             |        |          |           |               |  |  |  |       |



ITEM MARCADO EN COLOR = REPUESTO RECOMENDADO  
 COLOURED ITEM = RECOMMENDED SPARE PART

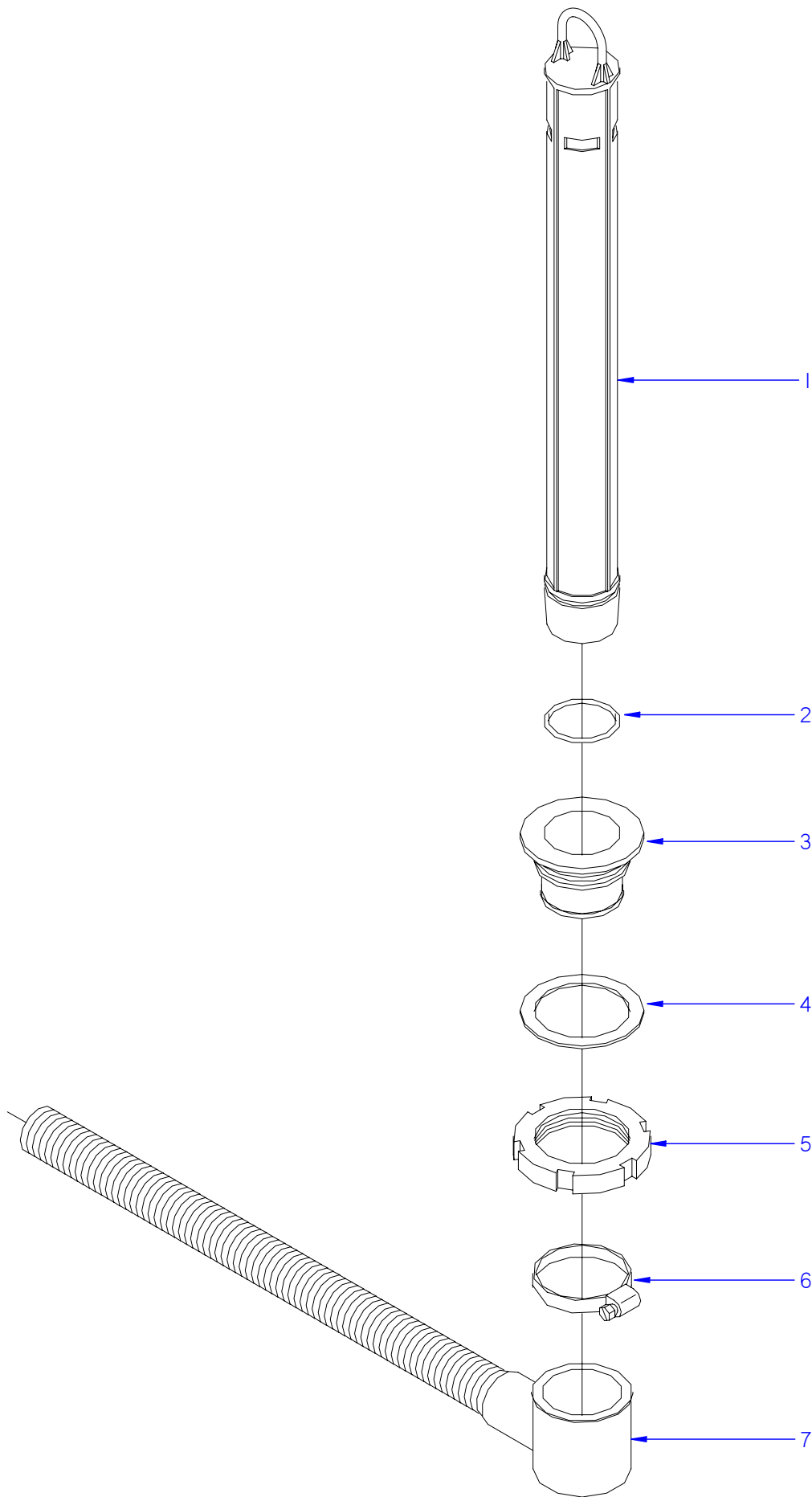
|         |                    |         |                     |                        |        |                                       |
|---------|--------------------|---------|---------------------|------------------------|--------|---------------------------------------|
| N plano | Firma              | Fecha   | Aparato             | PARTE FUNCIONAL LAVADO | Lamina | Fagor Industrial S.Coop. <b>FAGOR</b> |
| C-1882  | <i>[Signature]</i> | 2007-07 | LAVAVAJILLAS FI-100 |                        | 3      | Oñate                                 |



| MOD. |            | LAVAVAJILLAS DE CAPOTA        |                             | ZONA   | PARTE FUNCIONAL DE LAVADO |               |               |  | PLANO | C-1882 |
|------|------------|-------------------------------|-----------------------------|--------|---------------------------|---------------|---------------|--|-------|--------|
| ITEM | CODIGO     | DENOMINACION                  | TEXTO                       | FI-100 | FI-100 B                  | FI-100 A.R+DD | FI-100B BT UK |  |       | NOTAS  |
| 1    | Z710906000 | CONDUCTO IMPULSION POSTER.    | REAR IMPULSE PIPE           | 1      | 1                         | 1             | 1             |  |       |        |
|      | Q881307000 | ABRAZADERA 40-60              | CLAMP 40-60                 | 2      | 2                         | 2             | 2             |  |       |        |
| 2    | Z710708000 | TUERCA PASAMUROS              | WALL BUSHING NUT            | 1      | 1                         | 1             | 1             |  |       |        |
| 3    | Q307058000 | ARANDELA 60x44x2              | WASHER 60x44x2              | 1      | 1                         | 1             | 1             |  |       |        |
| 4    | Z740701000 | PASAMUROS ARBOL LAVADO        | WASH CAM BUSHING            | 1      | 1                         | 1             | 1             |  |       |        |
| 5    | Z710709000 | ARBOL LAVADO COMPLETO         | COMPLETE WASH CAM           | 1      | 1                         | 1             | 1             |  |       |        |
|      | Q232040000 | ARANDELA A6                   | WASHER A6                   | 2      | 2                         | 2             | 2             |  |       |        |
|      | Q162040000 | TUERCA EXAGONAL M6            | HEXAGONAL NUT M6            | 2      | 2                         | 2             | 2             |  |       |        |
| 6    | Z710705000 | SOPORTE DISTRIBUIDOR SUPER.   | UPPER DISTRIBUTION SUPPORT  | 1      | 1                         | 1             | 1             |  |       |        |
|      | Q152004000 | TORNILLO APLAST. M5x13 A.304  | MUSHROOM HEAD BOLT M5x13 A  | 1      | 1                         | 1             | 1             |  |       |        |
|      | Q242030000 | ARANDELA ABANICO A5 A.304     | FAN WASHER A5 A.304         | 1      | 1                         | 1             | 1             |  |       |        |
| 7    | Z201902000 | RAMA ACLARADO IZQUIERDA       | LEFT RINSE BRANCH           | 2      | 2                         | 2             | 2             |  |       |        |
| 8    | Z201903000 | SOPORTE RAMA ACLARADO COM.    | COM. RINSE BRANCH SUPPORT   | 2      | 2                         | 2             | 2             |  |       |        |
|      | Q042021000 | TORNILLO AVELLAN. M4x10 A304  | COUNTERSUNK BOLT M4x10 A304 | 4      | 4                         | 4             | 4             |  |       |        |
| 9    | Q152016000 | TORNILLO ESPECIAL M.5x0.8     | SPECIAL BOLT M.5X0.8        | 2      | 2                         | 2             | 2             |  |       |        |
| 10   | Z201901000 | RAMA ACLARADO DERECHA         | RIGHT RINSE BRANCH          | 2      | 2                         | 2             | 2             |  |       |        |
| 11   | Z211903000 | TOBERA ACLARADO               | RINSE NOZZLE                | 12     | 12                        | 12            | 12            |  |       |        |
| 12   | Z680738000 | TUERCA ESPECIAL               | SPECIAL NUT                 | 2      | 2                         | 2             | 2             |  |       |        |
| 13   | Z710712000 | CASQUILLO DISTRIBUIDOR        | DISTRIBUTOR BUSHING         | 2      | 2                         | 2             | 2             |  |       |        |
|      | Q032011000 | TORNILLO ALOMADO M3x10        | CURVED SCREW M3X10          | 4      | 4                         | 4             | 4             |  |       |        |
|      | Q242010000 | ARANDELA ABANICO A3 A.304     | FAN WASHER A3 A.304         | 4      | 4                         | 4             | 4             |  |       |        |
| 14   | Z710701000 | DISTRIBUIDOR COMPLETO         | COMPLETE DISTRIBUTOR        | 2      | 2                         | 2             | 2             |  |       |        |
| 15   | Z710713000 | ARANDELA AMARRE               | ANCHORAGE WASHER            | 2      | 2                         | 2             | 2             |  |       |        |
| 16   | Z710711000 | EJE CENTRAL                   | CENTRAL SHAFT               | 2      | 2                         | 2             | 2             |  |       |        |
| 17   | Z710719000 | SOPORTE DISTRIBUIDOR INFERIOR | LOWER DISTRIBUTION SUPPORT  | 1      | 1                         | 1             | 1             |  |       |        |
| 18   | Z710714000 | JUNTA DE GOMA                 | RUBBER SEAL                 | 1      | 1                         | 1             | 1             |  |       |        |
| 19   | Q307057000 | JUNTA TORICA 47.22x54.28x3.53 | O-RING 47.22x54.28x3.53     | 1      | 1                         | 1             | 1             |  |       |        |
|      | Q307050000 | JUNTA TORICA 13.94x19.18x2.6  | O-RING 13.94x19.18x2.6      | 1      | 1                         | 1             | 1             |  |       |        |
|      |            |                               |                             |        |                           |               |               |  |       |        |
|      |            |                               |                             |        |                           |               |               |  |       |        |
|      |            |                               |                             |        |                           |               |               |  |       |        |

| MOD. |            | LAVAVAJILLAS DE CAPOTA     |                          | ZONA   | PARTE FUNCIONAL DE LAVADO |               |               |  | PLANO | C-1882 |
|------|------------|----------------------------|--------------------------|--------|---------------------------|---------------|---------------|--|-------|--------|
| ITEM | CODIGO     | DENOMINACION               | TEXTO                    | FI-100 | FI-100 B                  | FI-100 A.R+DD | FI-100B BT UK |  |       | NOTAS  |
| 20   | Z710706000 | PASAMUROS                  | BUSHING                  | 1      | 1                         | 1             | 1             |  |       |        |
|      | Q012044000 | TORNILLO EXAGONAL M6x25    | HEXAGONAL BOLT M6x25     | 4      | 4                         | 4             | 4             |  |       |        |
|      | Q306050000 | ARANDELA 6x12x1.5          | WASHER 6x12x1.5          | 4      | 4                         | 4             | 4             |  |       |        |
|      | Q232040000 | ARANDELA A6                | WASHER A6                | 4      | 4                         | 4             | 4             |  |       |        |
|      | Q262040000 | ARANDELA GROW. A6 A.304    | WASHER GROW. A6 A.304    | 4      | 4                         | 4             | 4             |  |       |        |
|      | Q162040000 | TUERCA EXAGONAL M6         | HEXAGONAL NUT M6         | 4      | 4                         | 4             | 4             |  |       |        |
| 21   | Z710905000 | CONDUCTO IMPULSION ANTER.  | FRONT IMPULSE PIPE       | 1      | 1                         | 1             | 1             |  |       |        |
|      | Q881307000 | ABRAZADERA 40-60           | CLAMP 40-60              | 2      | 2                         | 2             | 2             |  |       |        |
| 22   | Z711001000 | SOPOR. MOTOBOMBA ANTERIOR  | SUPPORT FRONT MOTOR-PUMP | 1      | 1                         | 1             | 1             |  |       |        |
|      | Q012042000 | TORNILLO EXAGONAL M6x15    | HEXAGONAL BOLT M6x15     | 2      | 2                         | 2             | 2             |  |       |        |
|      | Q232040000 | ARANDELA A6                | WASHER A6                | 2      | 2                         | 2             | 2             |  |       |        |
|      | Q262040000 | ARANDELA GROW. A6 A.304    | WASHER GROW. A6 A.304    | 2      | 2                         | 2             | 2             |  |       |        |
|      | Q162040000 | TUERCA EXAGONAL M6         | HEXAGONAL NUT M6         | 2      | 2                         | 2             | 2             |  |       |        |
| 23   | Z201003000 | BASE BOMBA LAVADO 1003016  | WASH PUMP BASE 1003016   | 2      | 2                         | 2             | 2             |  |       |        |
|      | Q232040000 | ARANDELA A6                | WASHER A6                | 4      | 4                         | 4             | 4             |  |       |        |
|      | Q012042000 | TORNILLO EXAGONAL M6x15    | HEXAGONAL BOLT M6x15     | 4      | 4                         | 4             | 4             |  |       |        |
| 24   | Z201011000 | BOMBA DE LAVADO            | WASH PUMP                | 2      | 2                         | 2             | 2             |  |       |        |
|      | Z201082000 | TURBINA PARA 50 HZ.88 MM   | TURBINE 50 HZ.88 MM      | 2      | 2                         | 2             | 2             |  |       |        |
|      | Z201081000 | CONJUNTO JUNTA Y RETEN     | JOINT BOARD AND SEAL     | 2      | 2                         | 2             | 2             |  |       |        |
| 24   | Z203511000 | BOMBA DE LAVADO 60 HZ.     | WASH PUMP 60 Hz.         | 2      | 2                         | 2             | 2             |  |       |        |
|      | Z201083000 | TURBINA 60 HZ.78 MM        | TURBINE 60 HZ.78 MM      | 2      | 2                         | 2             | 2             |  |       |        |
|      | Z201081000 | CONJUNTO JUNTA Y RETEN     | JOINT BOARD AND SEAL     | 2      | 2                         | 2             | 2             |  |       |        |
| 25   | V321300000 | CONDENSADOR 10 M,F,        | CONDENSER 10 M,F,        | 2      | 2                         | 2             | 2             |  |       |        |
|      | Q162050000 | TUERCA EXAGONAL M8x1 INOX, | HEXAGONAL NUT M8x1 INOX. | 2      | 2                         | 2             | 2             |  |       |        |
| 26   | Z710904000 | CONDUCTO ASPIRACION        | EXTRACTOR PIPE           | 2      | 2                         | 2             | 2             |  |       |        |
|      | Q881307000 | ABRAZADERA 40-60           | CLAMP 40-60              | 4      | 4                         | 4             | 4             |  |       |        |
| 27   | Z710708000 | TUERCA PASAMUROS           | WALL BUSHING NUT         | 2      | 2                         | 2             | 2             |  |       |        |
| 28   | Q307058000 | ARANDELA 60x44x2           | WASHER 60x44x2           | 2      | 2                         | 2             | 2             |  |       |        |
| 29   | Z710903000 | PASAMUROS ASPIRACION       | EXTRACTOR BUSHING        | 2      | 2                         | 2             | 2             |  |       |        |
| 30   | Z711002000 | SOPORTE MOTOBOMBA POSTER.  | REAR MOTOR PUMP SUPPORT  | 1      | 1                         | 1             | 1             |  |       |        |
|      | Q012042000 | TORNILLO EXAGONAL M6x15    | HEXAGONAL BOLT M6x15     | 2      | 2                         | 2             | 2             |  |       |        |

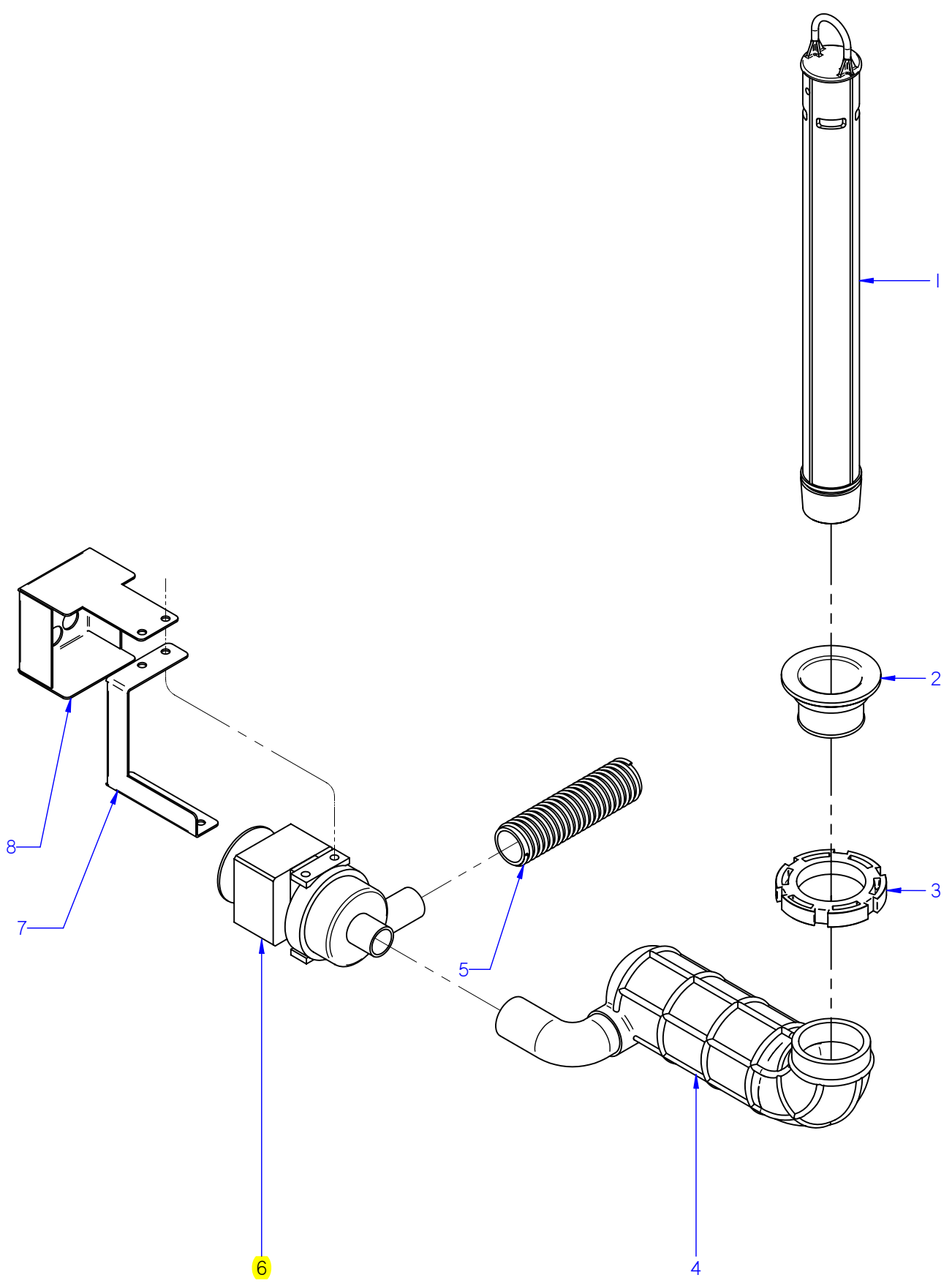




ITEM MARCADO EN COLOR = REPUESTO RECOMENDADO  
 COLOURED ITEM = RECOMMENDED SPARE PART

|         |                    |         |                     |                         |        |                                       |
|---------|--------------------|---------|---------------------|-------------------------|--------|---------------------------------------|
| N plano | Firma              | Fecha   | Aparato             | PARTE FUNCIONAL DESAGUE | Lamina | Fagor Industrial S.Coop. <b>FAGOR</b> |
| C-1883  | <i>[Signature]</i> | 2007-07 | LAVAVAJILLAS FI-100 |                         | 4      | Oñate                                 |

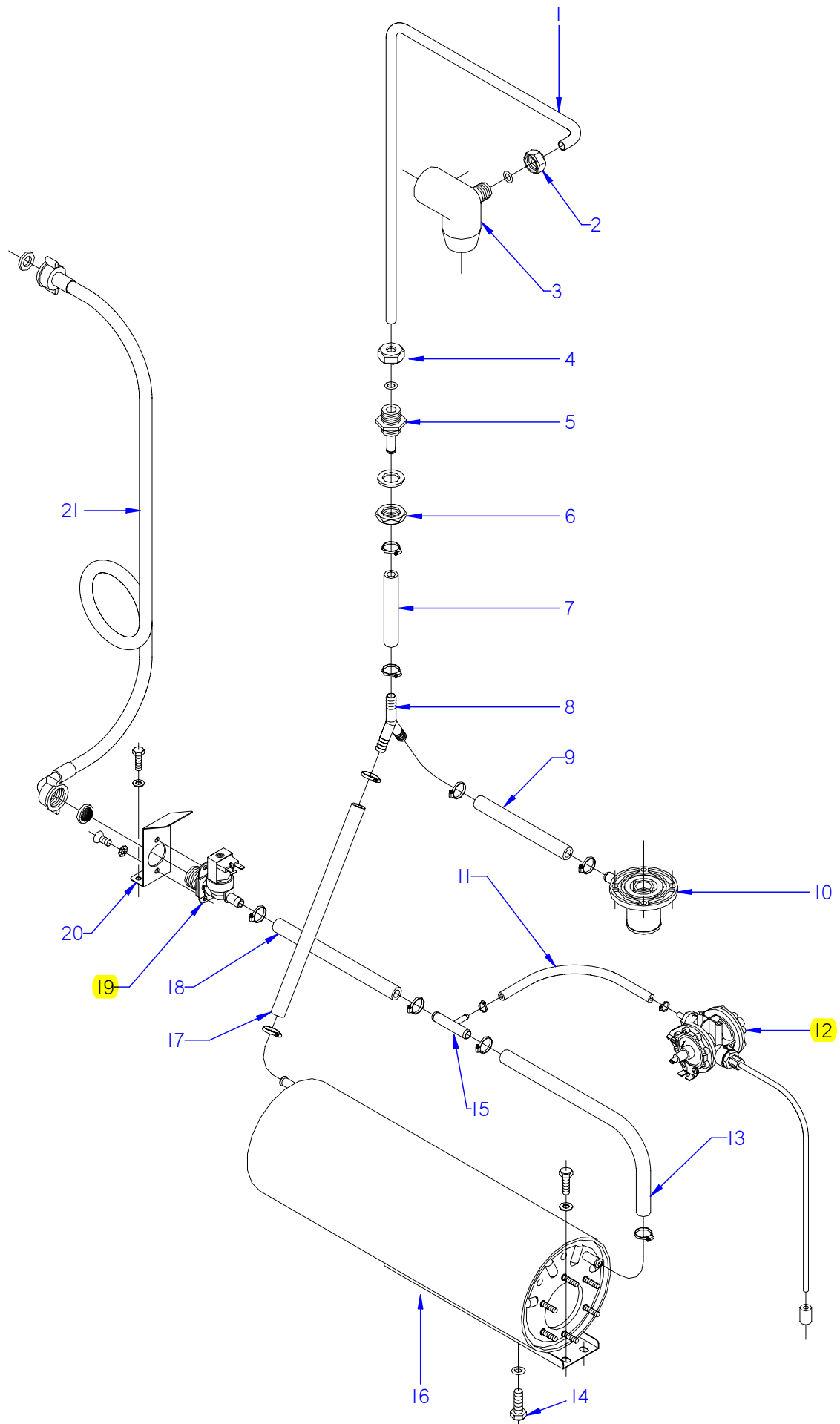




ITEM MARCADO EN COLOR = REPUESTO RECOMENDADO  
 COLOURED ITEM = RECOMMENDED SPARE PART

|         |                    |         |                                   |                         |        |                                       |
|---------|--------------------|---------|-----------------------------------|-------------------------|--------|---------------------------------------|
| N plano | Firma              | Fecha   | Aparato                           | PARTE FUNCIONAL DESAGUE | Lamina | Fagor Industrial S.Coop. <b>FAGOR</b> |
| C-1884  | <i>[Signature]</i> | 2007-07 | LAVAVAJIL. FI-100B BT UK; FI-100B |                         | 5      | Oñate                                 |





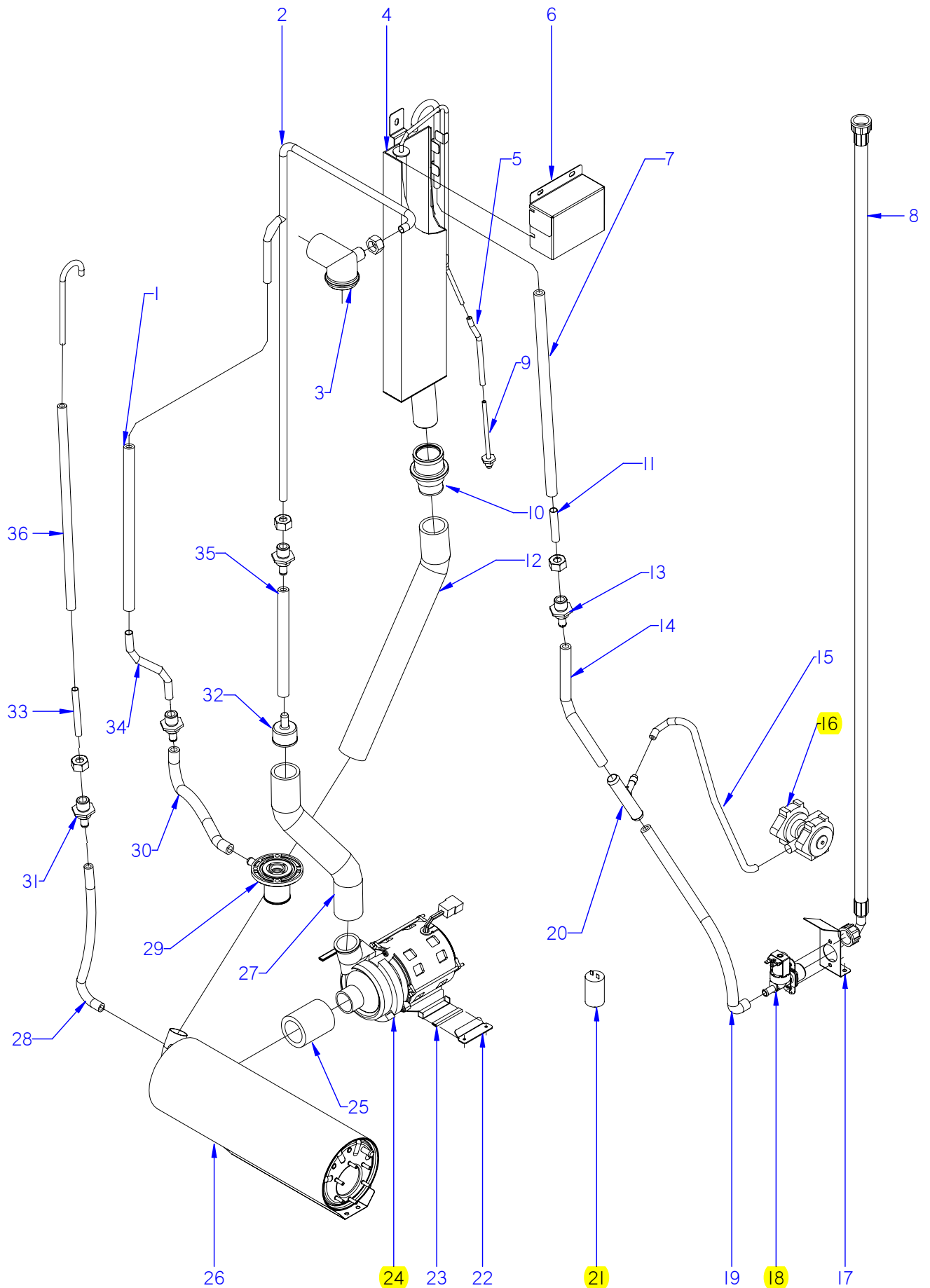
ITEM MARCADO EN COLOR = REPUESTO RECOMENDADO  
 COLOURED ITEM = RECOMMENDED SPARE PART

|         |                    |         |                     |                          |        |                                       |
|---------|--------------------|---------|---------------------|--------------------------|--------|---------------------------------------|
| N plano | Firma              | Fecha   | Aparato             | PARTE FUNCIONAL ACLARADO | banina | Fagor Industrial S.Coop. <b>FAGOR</b> |
| C-1885  | <i>[Signature]</i> | 2007-07 | LAVAVAJILLAS FI-100 |                          | 6      | Oñate                                 |



| MOD. |            | LAVAVAJILLAS DE CAPOTA        |                            | ZONA   | PARTE FUNCIONAL ACLARADO |  |  |  |  | PLANO | C-1885                 |
|------|------------|-------------------------------|----------------------------|--------|--------------------------|--|--|--|--|-------|------------------------|
| ITEM | CODIGO     | DENOMINACION                  | TEXTO                      | FI-100 | FI-100 B                 |  |  |  |  |       | NOTAS                  |
| 1    | Z711903000 | CONDUCCION ACLARADO COMP.     | COMP. RINSE PIPE           | 1      | 1                        |  |  |  |  |       |                        |
| 2    | Q223107000 | TUERCA M.20x2.5               | NUT M.20X2.5               | 1      | 1                        |  |  |  |  |       |                        |
|      | Q307048000 | JUNTA TORICA Ø9.12X16.18X3.53 | O-RING Ø9.12X16.18X3.53    | 1      | 1                        |  |  |  |  |       |                        |
| 3    | Z710705000 | SOPORTE DISTRIBUIDOR SUPER.   | UPPER DISTRIBUTION SUPPORT | 1      | 1                        |  |  |  |  |       |                        |
|      | Q152004000 | TORNILLO APLAST. M5x13 A.304  | MUSHROOM HEAD BOLT M5x13   | 1      | 1                        |  |  |  |  |       |                        |
|      | Q242030000 | ARANDELA ABANICO A5 A.304     | FAN WASHER A5 A.304        | 1      | 1                        |  |  |  |  |       |                        |
| 4    | Q223107000 | TUERCA M.20x2.5               | NUT M.20X2.5               | 1      | 1                        |  |  |  |  |       |                        |
|      | Q307048000 | JUNTA TORICA Ø9.12X16.18X3.53 | O-RING Ø9.12X16.18X3.53    | 1      | 1                        |  |  |  |  |       |                        |
| 5    | Z711904000 | PASAMUROS ACLARADO            | RINSE BUSHING              | 1      | 1                        |  |  |  |  |       |                        |
|      | Q307032000 | JUNTA Ø 32X21X3               | SEAL Ø 32X21X3             | 1      | 1                        |  |  |  |  |       |                        |
| 6    | Q223023000 | TUERCA EXAGONAL 5-8 LATON     | HEX NUT 5-8 BRASS          | 1      | 1                        |  |  |  |  |       |                        |
| 7    | 3676900000 | TUBO GOMA NEGRA Ø 17*10       | BLACK RUBBER PIPE 17*10    | 1      | 1                        |  |  |  |  |       |                        |
|      | Q881302000 | ABRAZADERA 12-20              | CLAMP 12-20                | 2      | 2                        |  |  |  |  |       |                        |
| 8    | Z201106000 | RACORD EN Y                   | Y-CONNECTION               | 1      | 1                        |  |  |  |  |       |                        |
| 9    | 3676900000 | TUBO GOMA NEGRA Ø 17*10       | BLACK RUBBER PIPE 17*10    | 1      | 1                        |  |  |  |  |       |                        |
|      | Q881302000 | ABRAZADERA 12-20              | CLAMP 12-20                | 2      | 2                        |  |  |  |  |       |                        |
| 10   | Z710706000 | PASAMUROS                     | BUSHING                    | 1      | 1                        |  |  |  |  |       |                        |
|      | Q012044000 | TORNILLO EXAGONAL M6x25       | HEXAGONAL BOLT M6x25       | 4      | 4                        |  |  |  |  |       |                        |
|      | Q306050000 | ARANDELA 6x12x1.5             | WASHER 6x12x1.5            | 4      | 4                        |  |  |  |  |       |                        |
|      | Q232040000 | ARANDELA A6                   | WASHER A6                  | 4      | 4                        |  |  |  |  |       |                        |
|      | Q262040000 | ARANDELA GROW. A6 A.304       | WASHER GROW. A6 A.304      | 4      | 4                        |  |  |  |  |       |                        |
|      | Q162040000 | TUERCA EXAGONAL M6            | HEXAGONAL NUT M6           | 4      | 4                        |  |  |  |  |       |                        |
| 11   | 3704000000 | TUBO GOMA NEGRO D 10,5*5      | BLACK RUBBER PIPE Ø 10.5*5 | 1      | 1                        |  |  |  |  |       |                        |
|      | Q881308000 | ABRAZADERA 8-14L              | CLAMP 8-14L                | 2      | 2                        |  |  |  |  |       |                        |
| 12   | Z211109000 | DOSIFICADOR TENSOACTIVO N-6   | SURFACE ACT. DISP. N-6     | 1      | 1                        |  |  |  |  |       | ELIMINADO 18.06.2012   |
| 12   | 12045206   | DOSIFICADOR_ABRILLANTADOR_A   | RINSE AID DISPENSER        | 1      | 1                        |  |  |  |  |       | INTRODUCIDO 18.06.2012 |
| S/Nº | Z448618000 | CONDUCTO ABRILLANTADOR        | RINSE AID PIPE             | 1      | 1                        |  |  |  |  |       | INTRODUCIDO 03.04.09   |
|      | Q232030000 | ARANDELA A5                   | WASHER A5                  | 2      | 2                        |  |  |  |  |       |                        |
|      | Q012031000 | TORNIL. EXAGONAL M5x10 A.304  | HEXAGONAL BOLT M5X10 A.304 | 4      | 4                        |  |  |  |  |       |                        |
|      |            |                               |                            |        |                          |  |  |  |  |       |                        |
|      |            |                               |                            |        |                          |  |  |  |  |       |                        |

| MOD. |            | LAVAVAJILLAS DE CAPOTA        |                             | ZONA   | PARTE FUNCIONAL ACLARADO |  |  |  |  | PLANO | C-1885 |
|------|------------|-------------------------------|-----------------------------|--------|--------------------------|--|--|--|--|-------|--------|
| ITEM | CODIGO     | DENOMINACION                  | TEXTO                       | FI-100 | FI-100 B                 |  |  |  |  |       | NOTAS  |
| 13   | 3676900000 | TUBO GOMA NEGRA Ø 17*10       | BLACK RUBBER PIPE Ø 17*10   | 1      | 1                        |  |  |  |  |       |        |
|      | Q881302000 | ABRAZADERA 12-20              | CLAMP 12-20                 | 2      | 2                        |  |  |  |  |       |        |
| 14   | Q012063000 | TORNIL. EXAGONAL M10x20 A.304 | HEXAGONAL BOLT M10x20 A.30  | 1      | 1                        |  |  |  |  |       |        |
|      | Q307048000 | JUNTA TORICA Ø9.12X16.18X3.53 | O-RING Ø9.12X16.18X3.53     | 1      | 1                        |  |  |  |  |       |        |
| 15   | Z601157000 | TOMA PRESION                  | PRESSURE INTAKE             | 1      | 1                        |  |  |  |  |       |        |
| 16   | 12022943   | CALDERIN COMPLETO             | COMPLETE DRUM               | 1      | 1                        |  |  |  |  |       |        |
|      | Q012031000 | TORNIL. EXAGONAL M5x10 A.304  | HEXAGONAL BOLT M5X10 A.304  | 2      | 2                        |  |  |  |  |       |        |
|      | Q232030000 | ARANDELA A5                   | WASHER A5                   | 2      | 2                        |  |  |  |  |       |        |
| 17   | 3676900000 | TUBO GOMA NEGRA Ø 17*10       | BLACK RUBBER PIPE 17*10     | 1      | 1                        |  |  |  |  |       |        |
|      | Q881302000 | ABRAZADERA 12-20              | CLAMP 12-20                 | 2      | 2                        |  |  |  |  |       |        |
| 18   | 3676900000 | TUBO GOMA NEGRA Ø 17*10       | BLACK RUBBER PIPE 17*10     | 1      | 1                        |  |  |  |  |       |        |
|      | Q881302000 | ABRAZADERA 12-20              | CLAMP 12-20                 | 2      | 2                        |  |  |  |  |       |        |
| 19   | Z701135000 | ELECTR. SIMP.220V COD.255.208 | SOLENOID VALVE SIMP.220V CO | 1      | 1                        |  |  |  |  |       |        |
| 20   | Z201101000 | ESCUADRA AMARRE ELECTROVA     | SOLENOID VALVE BRACKET      | 1      | 1                        |  |  |  |  |       |        |
|      | Q152024000 | TORN. AVELLANADO M4x8 A.304   | HEXAGONAL COUNTERSUNK M4    | 2      | 2                        |  |  |  |  |       |        |
|      | Q242020000 | ARANDELA ABANICO A4 A.304     | FAN WASHER A4 A.304         | 2      | 2                        |  |  |  |  |       |        |
|      | Q012031000 | TORNIL. EXAGONAL M5x10 A.304  | HEXAGONAL BOLT M5X10 A.304  | 2      | 2                        |  |  |  |  |       |        |
|      | Q232030000 | ARANDELA A5                   | WASHER A5                   | 2      | 2                        |  |  |  |  |       |        |
| 21   | Z602121000 | MANGUERA ENTRADA AGUA         | WATER INTAKE HOSE           | 1      | 1                        |  |  |  |  |       |        |
|      |            |                               |                             |        |                          |  |  |  |  |       |        |
|      |            |                               |                             |        |                          |  |  |  |  |       |        |
|      |            |                               |                             |        |                          |  |  |  |  |       |        |
|      |            |                               |                             |        |                          |  |  |  |  |       |        |
|      |            |                               |                             |        |                          |  |  |  |  |       |        |
|      |            |                               |                             |        |                          |  |  |  |  |       |        |
|      |            |                               |                             |        |                          |  |  |  |  |       |        |
|      |            |                               |                             |        |                          |  |  |  |  |       |        |
|      |            |                               |                             |        |                          |  |  |  |  |       |        |
|      |            |                               |                             |        |                          |  |  |  |  |       |        |
|      |            |                               |                             |        |                          |  |  |  |  |       |        |
|      |            |                               |                             |        |                          |  |  |  |  |       |        |



ITEM MARCADO EN COLOR = REPUESTO RECOMENDADO  
 COLOURED ITEM = RECOMMENDED SPARE PART

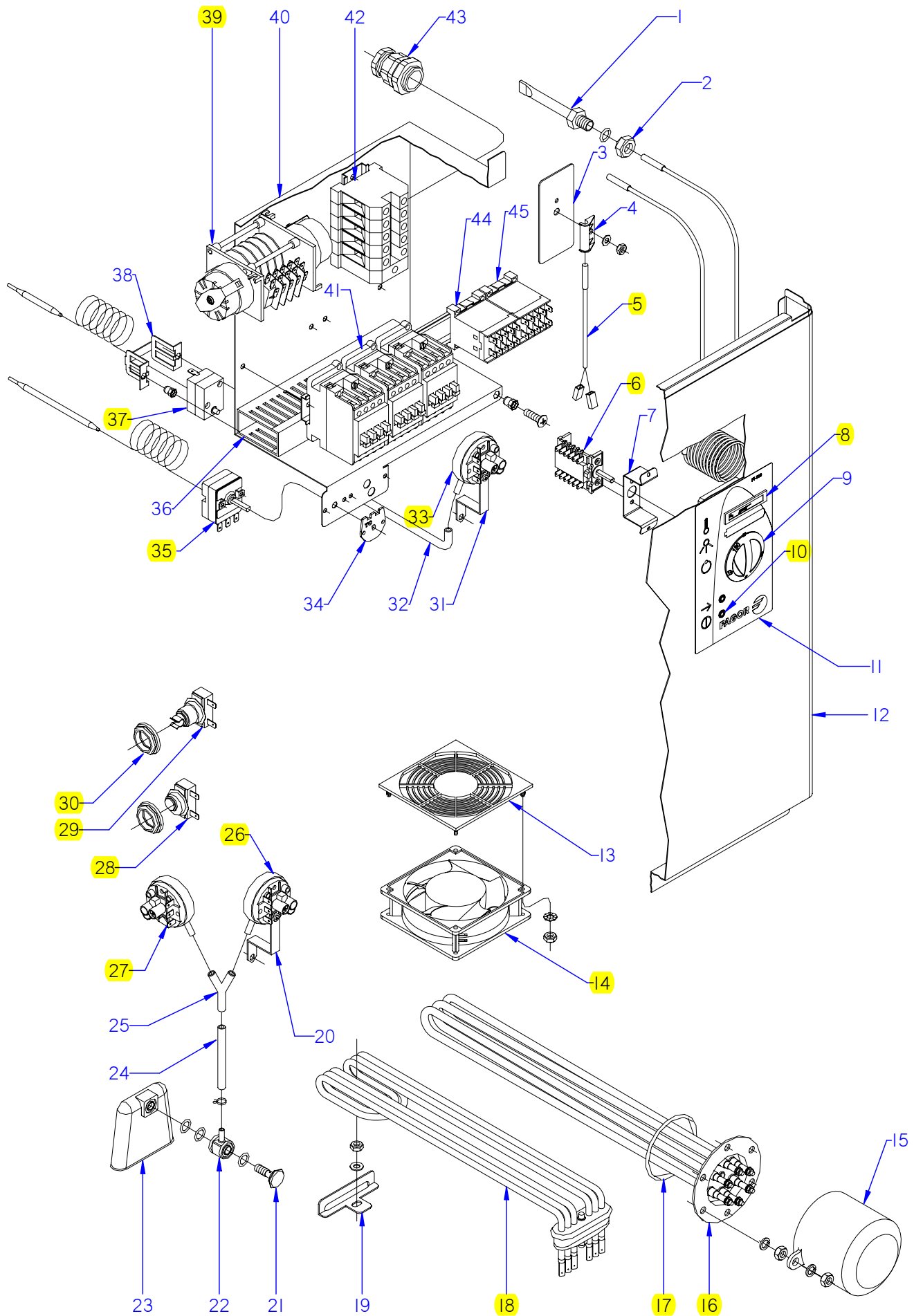
|         |                    |         |                            |                             |        |                                       |
|---------|--------------------|---------|----------------------------|-----------------------------|--------|---------------------------------------|
| N plano | Firma              | Fecha   | Aparato                    | PARTE FUNCIONAL DE ACLARADO | Lamina | Fagor Industrial S.Coop. <b>FAGOR</b> |
| C-1886  | <i>(Signature)</i> | 2007-07 | LAVAVAJILLAS FI-100B BT UK |                             | 7      | Oñate                                 |

| MOD. |            | LAVAVAJILLAS DE CAPOTA        |                            | ZONA          | PARTE FUNCIONAL DE ACLARADO |  |  |  | PLANO                  | C-1886 |
|------|------------|-------------------------------|----------------------------|---------------|-----------------------------|--|--|--|------------------------|--------|
| ITEM | CODIGO     | DENOMINACION                  | TEXTO                      | FI-100B BT UK |                             |  |  |  | NOTAS                  |        |
| 1    | 3676900000 | TUBO GOMA NEGRA Ø 17*10       | BLACK RUBBER PIPE 17*10    | 1             |                             |  |  |  |                        |        |
|      | Q881302000 | ABRAZADERA 12-20              | CLAMP 12-20                | 2             |                             |  |  |  |                        |        |
| 2    | Z718911000 | RAMA DE ACLARADO CLINIC       | CLINIC RINSE BRANCH        | 1             |                             |  |  |  |                        |        |
| 3    | Z710705000 | SOPORTE DISTRIBUIDOR SUPER.   | UPPER DISTRIBUTION SUPPORT | 1             |                             |  |  |  |                        |        |
| 4    | Z718909000 | DEPOSITO CLINIC COMPLETO      | CLINIC COMPLETE TANK       | 1             |                             |  |  |  |                        |        |
| 4a   | 12008220   | CAÑO                          | PIPE                       | 1             |                             |  |  |  | INTRODUCIDO 29.01.2013 |        |
| 5    | 3702400000 | TUBO DE GOMA Ø 8*4 x140       | BLACK RUBBER PIPE Ø 8*4    | 1             |                             |  |  |  |                        |        |
|      | P102154000 | BRIDA ELASTICA TUBO           | ELASTIC PIPE FLANGE        | 2             |                             |  |  |  |                        |        |
| 6    | Z718915000 | TAPA DEPOSITO CLINIC          | TANK COVER                 | 1             |                             |  |  |  |                        |        |
|      | Q162040000 | TUERCA EXAGONAL M6            | HEXAGONAL NUT M6           | 3             |                             |  |  |  |                        |        |
| 7    | 3676900000 | TUBO GOMA NEGRA Ø 17*10       | BLACK RUBBER PIPE 17*10    | 1             |                             |  |  |  |                        |        |
|      | Q881302000 | ABRAZADERA 12*20              | CLAMP 12-20                | 2             |                             |  |  |  |                        |        |
| 8    | Z602121000 | MANGUERA ENTRADA DE AGUA      | WATER INTAKE HOSE          | 1             |                             |  |  |  |                        |        |
| 9    | Z718918000 | PASAMUROS PRES. CLINIC        | PRES. CLINIC BUSHING       | 1             |                             |  |  |  |                        |        |
| 10   | Z330751000 | PASAMUROS IMPULSION PRELAV.   | IMPULSE PRELAV BUSHING     | 1             |                             |  |  |  | ELIMINADO 31.03.09     |        |
| 10   | Z330790000 | PASAMUROS IMPULSION PRELAV.   | IMPULSE PRELAV BUSHING     | 1             |                             |  |  |  | INTRODUCIDO 31.03.09   |        |
|      | Q306024000 | JUNTA 18x12.5x1.5             | SEAL 18x12.5x1.5           | 1             |                             |  |  |  |                        |        |
| 10   | Z330751000 | PASAMUROS IMPULSION PRELAV.   |                            | 1             |                             |  |  |  |                        |        |
|      | Q307065000 | JUNTA TORICA 43,01x37,77x2,62 | O-RING 43,01x37,77x2,62    | 1             |                             |  |  |  |                        |        |
|      | Z710708000 | TUERCA PASAMUROS              | BUSHING NUT                | 1             |                             |  |  |  |                        |        |
|      | Q307058000 | ARANDELA 60x44x2              | WASHER 60x44x2             | 1             |                             |  |  |  |                        |        |
|      | Q881307000 | ABRAZADERA 40*60              | CLAMP 40*60                | 1             |                             |  |  |  |                        |        |
| 11   | Z718910000 | TUBO ENTRADA AGUA             | WATER INTAKE PIPE          | 1             |                             |  |  |  |                        |        |
|      | Q307048000 | JUNTA TORICA 9.12x16.18x3.53  | O-RING Ø9.12X16.18X3.53    | 4             |                             |  |  |  |                        |        |
| 12   | Z718925000 | CONDUCTO DEPOSITO-CALDERIN    | DUCT-CALDERIN DEPOSIT      | 1             |                             |  |  |  |                        |        |
|      | Q881307000 | ABRAZADERA 40*60              | CLAMP 40*60                | 2             |                             |  |  |  |                        |        |
| 13   | Z711904000 | PASAMUROS ACLARADO            | RINSE BUSHING              | 2             |                             |  |  |  |                        |        |
|      | Q307032000 | JUNTA 32x21x3                 | SEAL Ø 32X21X3             | 2             |                             |  |  |  |                        |        |
|      | Q223023000 | TUERCA EXAGONAL 5-8 LATON     | HEX NUT 5-8 BRASS          | 2             |                             |  |  |  |                        |        |
| 14   | 3676900000 | TUBO GOMA NEGRA 17*10         | BLACK RUBBER PIPE 17*10    | 1             |                             |  |  |  |                        |        |
|      | Q881302000 | ABRAZADERA 12*20              | CLAMP 12-20                | 4             |                             |  |  |  |                        |        |

| MOD. |            | LAVAVAJILLAS DE CAPOTA        |                              | ZONA          | PARTE FUNCIONAL DE ACLARADO |  |  |  | PLANO                | C-1886 |
|------|------------|-------------------------------|------------------------------|---------------|-----------------------------|--|--|--|----------------------|--------|
| ITEM | CODIGO     | DENOMINACION                  | TEXTO                        | FI-100B BT UK |                             |  |  |  | NOTAS                |        |
| 15   | 3704000000 | TUBO GOMA NEGRA Ø10,5*5       | BLACK RUBBER PIPE Ø10,5*5    | 1             |                             |  |  |  |                      |        |
|      | Q881308000 | ABRAZADERA 8-14L              | CLAMP 8-14L                  | 2             |                             |  |  |  |                      |        |
| 16   | Z651123000 | DOSIFICADOR TENSOACTIVO N-6   | SURFACE ACT. DISP. N-6       | 1             |                             |  |  |  | ELIMINADO 03.04.09   |        |
| 17   | Z201101000 | ESCUADRA AMARRE ELECTROVA     | SOLENOID VALVE BRACKET       | 1             |                             |  |  |  |                      |        |
|      | Q152024000 | TORNILLO AVELLAN. M4x8 A304   | COUNTERSUNK NUT M4x8 A304    | 2             |                             |  |  |  |                      |        |
|      | Q242020000 | ARANDELA ABANICO A.4 A304     | FAN WASHER A4 A.304          | 2             |                             |  |  |  |                      |        |
|      | Q012031000 | TORNILLO EXAGONAL. M5x10 A304 | HEXAGONAL BOLT M5X10 A.304   | 2             |                             |  |  |  |                      |        |
|      | Q232030000 | ARANDELA A5                   | WASHER A5                    | 2             |                             |  |  |  |                      |        |
| 18   | Z701135000 | E.V. SIMPLE 0V COD. 255.208   | SOLENOID VALVE SIMP. 0V COD. | 1             |                             |  |  |  |                      |        |
|      | Z841107000 | REGUL.ENTRADA 10L 254.067     | REGULATOR 10L 254.067        | 1             |                             |  |  |  | ELIMINADO 01.05.12   |        |
|      | 12044690   | REGULADOR DE CAUDAL 10L       | FLOW REGULATOR 10L           | 1             |                             |  |  |  | INTRODUCIDO 01.05.12 |        |
| 19   | 3676900000 | TUBO GOMA NEGRA 17*10         | BLACK RUBBER PIPE Ø 17*10    | 1             |                             |  |  |  |                      |        |
|      | Q881302000 | ABRAZADERA 12*20              | CLAMP 12-20                  | 4             |                             |  |  |  |                      |        |
| 20   | Z601157000 | TOMA PRESION                  | PRESSURE INTAKE              | 1             |                             |  |  |  | ELIMINADO 01.04.08   |        |
| 20   | Z718949000 | TE COMP. TOMA PRESION ABR     | PRESSURE INTAKE TE ABR       | 1             |                             |  |  |  | INTRODUCIDO 01.04.08 |        |
| 21   | V817100000 | CONDENSADOR 6 M,F,            | CONDENSER 6 M,F,             | 1             |                             |  |  |  |                      |        |
|      | Q162050000 | TUERCA EXAGONAL M8x1 INOX,    | HEXAGONAL NUT M6             | 1             |                             |  |  |  |                      |        |
| 22   | Z718931000 | SOPORTE MOTOBOMBA CLINIC      | CLINIC M-PUMP SUPPORT        | 1             |                             |  |  |  |                      |        |
|      | Q152024000 | TORNILLO AVELLAN. M4x8 A304   | COUNTERSUNK NUT M4x8 A304    | 2             |                             |  |  |  |                      |        |
| 23   | 3701700000 | PERFIL GOMA NEGRO EN U 9*4    | BLACK RUBBER PROFILE U 9*4   | 2             |                             |  |  |  |                      |        |
| 24   | Z401001000 | BOMBA LAVADO                  | WASH PUMP                    | 1             |                             |  |  |  |                      |        |
|      | Z401001100 | TURBINA BOMBA Z401001         | TURBINE PUMP Z401001         | 1             |                             |  |  |  |                      |        |
| 25   | Z162301000 | CONDUCTO ASPIRAC. IMPULSION   | EXTRACTOR PIPE - IMPULSE     | 1             |                             |  |  |  |                      |        |
|      | Q881307000 | ABRAZADERA 40*60              | CLAMP 40*60                  | 2             |                             |  |  |  |                      |        |
| 26   | Z258916000 | CALDERIN COMPLETO BBT.        | COMPLETE DRUM BBT            | 1             |                             |  |  |  |                      |        |
| 27   | Z718935000 | CONDUCTO IMPULSION CLINIC     | CLINIC IMPULSE PIPE          | 1             |                             |  |  |  |                      |        |
|      | Q881307000 | ABRAZADERA 40*60              | CLAMP 40*60                  | 2             |                             |  |  |  |                      |        |
| 28   | 3676900000 | TUBO GOMA NEGRA 17*10         | BLACK RUBBER PIPE Ø 17*10    | 1             |                             |  |  |  |                      |        |
|      | Q881302000 | ABRAZADERA 12*20              | CLAMP 12-20                  | 2             |                             |  |  |  |                      |        |
| 29   | Z710706000 | PASAMUROS                     | BUSHING                      | 1             |                             |  |  |  |                      |        |

|      |                        |      |                             |       |        |
|------|------------------------|------|-----------------------------|-------|--------|
| MOD. | LAVAVAJILLAS DE CAPOTA | ZONA | PARTE FUNCIONAL DE ACLARADO | PLANO | C-1886 |
|------|------------------------|------|-----------------------------|-------|--------|

| ITEM | CODIGO     | DENOMINACION                 | TEXTO                   | FI-100B BT UK |  |  |  |  |  |  |  |  | NOTAS                |
|------|------------|------------------------------|-------------------------|---------------|--|--|--|--|--|--|--|--|----------------------|
| 30   | 3676900000 | TUBO GOMA NEGRA 17*10        | BLACK RUBBER PIPE 17*10 | 1             |  |  |  |  |  |  |  |  |                      |
|      | Q881302000 | ABRAZADERA 12*20             | CLAMP 12*20             | 2             |  |  |  |  |  |  |  |  |                      |
| 31   | Z718951000 | PASAMUROS ACLAR. CLINIC      | CLINIC RINSE BUSHING    | 2             |  |  |  |  |  |  |  |  | INTRODUCIDO 20.06.08 |
|      | Z718957000 | ARANDELA Ø 30x14.25x2.5      | WASHER Ø 30x14.25x2.5   | 2             |  |  |  |  |  |  |  |  | INTRODUCIDO 20.06.08 |
|      | Q307031000 | JUNTA TUBO 14X24X3           | SEAL 14X24X3            | 2             |  |  |  |  |  |  |  |  | INTRODUCIDO 20.06.08 |
|      | Q221338000 | TUE.EX.AUT.M14 H.ZINCADO     | ZINC AUT.M14 H. NUT     | 2             |  |  |  |  |  |  |  |  | INTRODUCIDO 20.06.08 |
| 31   | Q223107000 | TUERCA M.20x2.5              |                         | 5             |  |  |  |  |  |  |  |  |                      |
| 32   | Z701104000 | REDUCCION                    | REDUCTION               | 1             |  |  |  |  |  |  |  |  |                      |
| 33   | Z718928000 | TUBO PASAM. CALDER. CLINIC   | DRUM PIPE               | 1             |  |  |  |  |  |  |  |  |                      |
|      | Q307048000 | JUNTA TORICA 9.12x16.18x3.53 | O-RING Ø9.12X16.18X3.53 | 1             |  |  |  |  |  |  |  |  |                      |
| 34   | Z718927000 | TUBO PAS. ACLARADO CLINIC    | RINSE PIPE              | 1             |  |  |  |  |  |  |  |  |                      |
| 35   | 3676900000 | TUBO GOMA NEGRA 17*10        | BLACK RUBBER PIPE 17*10 | 2             |  |  |  |  |  |  |  |  |                      |
|      | Q881302000 | ABRAZADERA 12*20             | CLAMP 12*20             | 4             |  |  |  |  |  |  |  |  |                      |
| 36   | 3676900000 | TUBO GOMA NEGRA 17*10        | BLACK RUBBER PIPE 17*10 | 1             |  |  |  |  |  |  |  |  |                      |
|      | Q881302000 | ABRAZADERA 12*20             | CLAMP 12*20             | 2             |  |  |  |  |  |  |  |  |                      |
|      |            |                              |                         |               |  |  |  |  |  |  |  |  |                      |
|      |            |                              |                         |               |  |  |  |  |  |  |  |  |                      |
|      |            |                              |                         |               |  |  |  |  |  |  |  |  |                      |
|      |            |                              |                         |               |  |  |  |  |  |  |  |  |                      |
|      |            |                              |                         |               |  |  |  |  |  |  |  |  |                      |
|      |            |                              |                         |               |  |  |  |  |  |  |  |  |                      |
|      |            |                              |                         |               |  |  |  |  |  |  |  |  |                      |
|      |            |                              |                         |               |  |  |  |  |  |  |  |  |                      |
|      |            |                              |                         |               |  |  |  |  |  |  |  |  |                      |
|      |            |                              |                         |               |  |  |  |  |  |  |  |  |                      |
|      |            |                              |                         |               |  |  |  |  |  |  |  |  |                      |
|      |            |                              |                         |               |  |  |  |  |  |  |  |  |                      |
|      |            |                              |                         |               |  |  |  |  |  |  |  |  |                      |
|      |            |                              |                         |               |  |  |  |  |  |  |  |  |                      |
|      |            |                              |                         |               |  |  |  |  |  |  |  |  |                      |
|      |            |                              |                         |               |  |  |  |  |  |  |  |  |                      |
|      |            |                              |                         |               |  |  |  |  |  |  |  |  |                      |



ITEM MARCADO EN COLOR = REPUESTO RECOMENDADO  
 COLOURED ITEM = RECOMMENDED SPARE PART

|         |                    |         |                     |                           |        |                                       |
|---------|--------------------|---------|---------------------|---------------------------|--------|---------------------------------------|
| N plano | Firma              | Fecha   | Aparato             | PARTE FUNCIONAL ELECTRICA | Lamina | Fagor Industrial S.Coop. <b>FAGOR</b> |
| C-1887  | <i>[Signature]</i> | 2007-07 | LAVAVAJILLAS FI-100 |                           | 8      | Oñate                                 |

| MOD. |            | LAVAVAJILLAS DE CAPOTA          |                             | ZONA   | PARTE FUNCIONAL ELECTRICA |               |  | PLANO | C-1887 |                        |
|------|------------|---------------------------------|-----------------------------|--------|---------------------------|---------------|--|-------|--------|------------------------|
| ITEM | CODIGO     | DENOMINACION                    | TEXTO                       | FI-100 | FI-100 B                  | FI-100B BT UK |  |       |        | NOTAS                  |
| 1    | Z263002000 | VAINA INDICADOR COMPLETA        | COMPLETE INDICATOR SHELL    | 1      | 1                         | 1             |  |       |        |                        |
|      | Q307048000 | JUNTA TORICA Ø16,18xØ9,12xØ3,53 | O-RING 18x12.5x1.5          | 1      | 1                         | 1             |  |       |        |                        |
| 2    | Q162070000 | TUERCA EXAGONAL M-12            | HEXAGONAL NUT M12           | 1      | 1                         | 1             |  |       |        |                        |
| 3    | Z101211000 | APOYO INTERRUPTOR               | SWITCH SUPPORT              | 1      | 1                         | 1             |  |       |        |                        |
| 4    | Z203010000 | AMARRE INTERRUPTOR MAGNET.      | MAGNETIC SWITCH FASTENER    | 1      | 1                         | 1             |  |       |        |                        |
|      | Q232040000 | ARANDELA A-6                    | WASHER A-6                  | 1      | 1                         | 1             |  |       |        |                        |
|      | Q162040000 | TUERCA EXAGONAL M-6             | HEXAGONAL NUT M-6           | 1      | 1                         | 1             |  |       |        |                        |
| 5    | Z203009000 | INTERRUPTOR MAGNETICO           | MAGNETIC SWITCH             | 1      | 1                         | 1             |  |       |        |                        |
| 6    | Z683085000 | CONMUTADOR FUNCIONES            | SWITCH                      | 1      |                           |               |  |       |        |                        |
| 6    | Z713097000 | CONMUTADOR                      | SWITCH                      |        | 1                         | 1             |  |       |        |                        |
|      | Q152024000 | TORN. AVELLANADO M4x8 A.304     | HEXAGONAL COUNTERSUNK M4    | 2      | 2                         | 2             |  |       |        |                        |
| 7    | Z712932000 | SOPOR. CONMUTADOR CAPOTA        | HOOD BRACKET SWITCH         | 1      | 1                         | 1             |  |       |        |                        |
|      | Q419005000 | REMACHE 4x8 ALMG3 / ALUMINIO    | RIVET 4x8 ALMG3 / ALUMINIO  | 2      | 2                         | 2             |  |       |        |                        |
| 8    | Z203072000 | INDICADOR ANALOGICO             | ANALOG INDICATOR            | 2      | 2                         | 2             |  |       |        |                        |
| 9    | Z713091000 | BOTON DE MANDO 100/120          | CONTROL BUTTON 100/120      | 1      |                           |               |  |       |        |                        |
| 9    | Z713099000 | BOTON DE MANDO B                | CONTROL BUTTON B            |        | 1                         | 1             |  |       |        |                        |
| 10   | Z203079000 | PILOTO AMBAR Ø10                |                             | 2      | 2                         | 2             |  |       |        |                        |
| 11   | Z712916000 | EMBELLECED. ADHESIVO FI-100     | ADHESIVE TRIM FI-100        | 1      |                           |               |  |       |        |                        |
| 11   | Z712930000 | EMBELLECED. ADHESIVO FI-100B    | ADHESIVE TRIM FI-100B       |        | 1                         |               |  |       |        |                        |
| 11   | Z712934000 | EMBELL. ADHESIVO FI-100B BT UK  | ADHESIVE TRIM FI-100B BT UK |        |                           | 1             |  |       |        |                        |
| 12   | Z712927000 | PANEL FRONTAL FI-120            | FRONT PANEL FI-80           | 1      | 1                         | 1             |  |       |        | ELIMINADO 29.01.2013   |
| 12   | 12048218   | PANEL FRONTAL FI FAGOR COMP.    | FRONT PANEL FI FAGOR COMP.  | 1      | 1                         | 1             |  |       |        | INTRODUCIDO 29.01.2013 |
| 13   | Z713015000 | PROTECCION VENTILADOR ABS       | FAN PROTECTION              | 1      | 1                         | 1             |  |       |        |                        |
|      | Q042022000 | TORNILLO AVELLANADO M4x15       | COUNTERSUNK BOLT M4x15      | 8      | 8                         | 8             |  |       |        |                        |
|      | Q162020000 | TUERCA EXAGONAL M4              | HEXAGONAL NUT M4            | 12     | 12                        | 12            |  |       |        |                        |
|      | Q242020000 | ARANDELA ABANICO A-4 A304       | FAN WASHER A-4 A304         | 8      | 8                         | 8             |  |       |        |                        |
| 14   | Z103066000 | VENTILADOR 230V,50/60 HZ        | FAN 230V,50/60 HZ           | 1      | 1                         | 1             |  |       |        |                        |
| 15   | Z651731000 | CAPERUZA RESISTEN. CALDERIN     | DRUM RESIST. CAP            | 1      | 1                         | 1             |  |       |        |                        |
|      | Q163140000 | TUERCA EXAGONAL M6 LATON        | HEXAGONAL NUT M6 BRASS      | 2      | 2                         | 2             |  |       |        |                        |
|      | Q012031000 | TORNIL. EXAGONAL M5x10 A.304    | HEXAGONAL BOLT M5X10 A.304  | 2      | 2                         | 2             |  |       |        |                        |

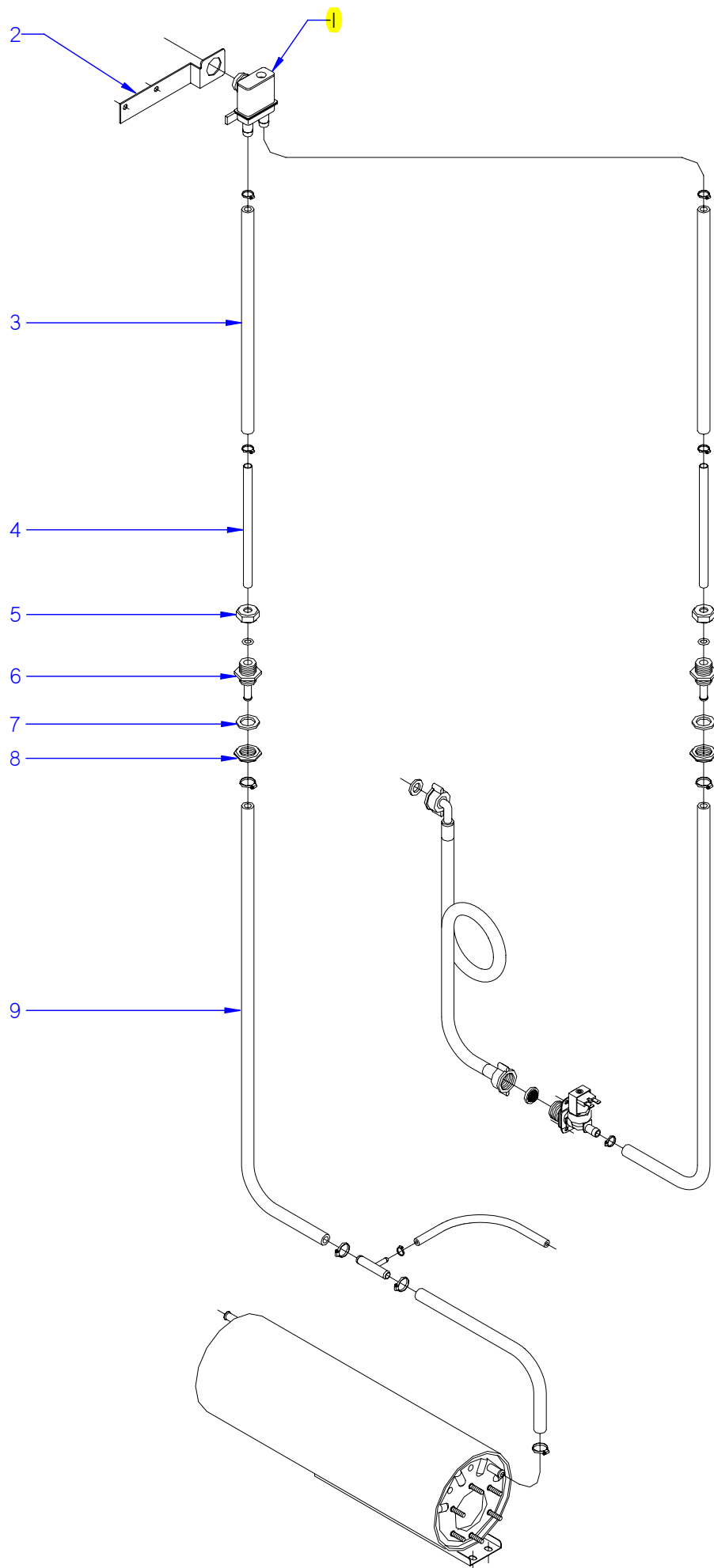


| MOD. |            | LAVAVAJILLAS DE CAPOTA       |                              | ZONA   | PARTE FUNCIONAL ELECTRICA |               |  | PLANO | C-1887 |                        |
|------|------------|------------------------------|------------------------------|--------|---------------------------|---------------|--|-------|--------|------------------------|
| ITEM | CODIGO     | DENOMINACION                 | TEXTO                        | FI-100 | FI-100 B                  | FI-100B BT UK |  |       |        | NOTAS                  |
| 16   | Z721701000 | RESISTENCIA CALDERIN         | DRUM RESISTOR                | 1      | 1                         | 1             |  |       |        |                        |
|      | Q221305000 | TUERCA EX, AUTO. M4 ZINCADA  | HEX NUT , AUTO. M4 ZINC-COAT | 6      | 6                         | 6             |  |       |        |                        |
|      | Q163140000 | TUERCA EXAGONAL M6 LATON     | HEXAGONAL NUT M6 BRASS       | 6      | 6                         | 6             |  |       |        |                        |
|      | Q262040000 | ARANDELA GROW. A6 A,304      | WASHER GROW. A6 A.304        | 6      | 6                         | 6             |  |       |        |                        |
| 17   | Q307035000 | JUNTA TORICA AN-36 282333    | O-RING AN-36 282333          | 1      | 1                         | 1             |  |       |        |                        |
| 18   | Z743601000 | RESISTENCIA TANQUE           | TANK RESISTOR                | 1      | 1                         | 1             |  |       |        |                        |
| 19   | Z743602000 | SOPORTE RESISTENCIA TANQUE   | TANK RESISTOR SUPPORT        | 1      | 1                         | 1             |  |       |        |                        |
|      | Q232040000 | ARANDELA A,6                 | WASHER A,6                   | 1      | 1                         | 1             |  |       |        |                        |
|      | Q162040000 | TUERCA EXAGONAL M6           | HEXAGONAL NUT M6             | 1      | 1                         | 1             |  |       |        |                        |
| 20   | Z602923000 | SOPORTE PRESOSTATO           | PRESSURE SWITCH SUPPORT      | 1      | 1                         | 1             |  |       |        |                        |
|      | Q082032000 | TORNILLO ALOMADO BZ-3,5x9,5  | CURVED SCREW BZ-3.5x9.5      | 1      | 1                         | 1             |  |       |        |                        |
|      | Q162040000 | TUERCA EXAGONAL M6           | HEXAGONAL NUT M6             | 1      | 1                         | 1             |  |       |        |                        |
|      | Q232040000 | ARANDELA A6                  | WASHER A6                    | 1      | 1                         | 1             |  |       |        |                        |
| 21   | Z203013000 | TORNILLO PRESOSTATO          | PRESSURE SWITCH BOLT         | 1      | 1                         | 1             |  |       |        |                        |
| 22   | Z203012000 | EMPALME PRESOSTATO           | PRESSURE SWITCH CONNEX       | 1      | 1                         | 1             |  |       |        |                        |
|      | Q307003000 | JUNTA TOR.16,01x10,77x2,62   | O-RING 16.01X10.77X2.62      | 3      | 3                         | 3             |  |       |        |                        |
| 23   | Z203011000 | CAMARA PRESOSTATO            | PRESSURE SWITCH              | 1      | 1                         | 1             |  |       |        |                        |
| 24   | 3702400000 | TUBO DE GOMA 8x4 D8*4        | BLACK RUBBER PIPE Ø 8*4      | 1      | 1                         | 1             |  |       |        |                        |
|      | P102154000 | BRIDA ELASTICA TUBO          | ELASTIC PIPE FLANGE          | 2      | 2                         | 2             |  |       |        |                        |
| 25   | Z103077000 | RACORD EN Y                  | Y-CONNECTION                 |        | 1                         | 1             |  |       |        |                        |
| 26   | Z713002000 | PRESOSTATO SIMPLE            | SIMPLE PRESSURE SWITCH       | 1      | 1                         | 1             |  |       |        |                        |
| 27   | Z713098000 | PRESOTATO SEGURIDAD          | SECURITY PRESOTATO           |        | 1                         | 1             |  |       |        |                        |
| 28   | Z718405000 | TERMOSTATO DOBLE             | DOUBLE THERMOSTAT            | 1      | 1                         | 1             |  |       |        |                        |
| 29   | R213004000 | TERMOSTATO REARME MANUAL     | MANUAL RESET THERMOSTAT      | 1      | 1                         | 1             |  |       |        | ELIMINADO 11.02.2013   |
| 29   | 12046165   | TERMOSTATO SEGURIDAD 115°C   | SECURITY THERMOSTAT 115°C    | 1      | 1                         | 1             |  |       |        | INTRODUCIDO 11.02.2013 |
| 30   | N503017000 | SOPORTE TERMOSTATO 1001713   | THERMOSTAT SUPPORT 1001713   | 2      | 2                         | 2             |  |       |        |                        |
| 31   | Z602923000 | SOPORTE PRESOSTATO           | PRESSURE SWITCH SUPPORT      |        |                           | 1             |  |       |        |                        |
|      | Q152004000 | TORNILLO APLAST. M5x13 A 304 | FLAT HEADED BOLT M5x13       |        |                           | 1             |  |       |        |                        |
|      | Q082032000 | TORNILLO ALOMADO BZ-3,5x9,5  | CURVED SCREW BZ-3.5x9.5      |        |                           | 2             |  |       |        |                        |
|      | Q162030000 | TUERCA EXAGONAL M5           | HEXAGONAL NUT M6             |        |                           | 1             |  |       |        |                        |
|      | Q242030000 | ARANDELA ABANICO A-5 A304    | FAN WASHER A-5 A304          |        |                           | 1             |  |       |        |                        |

| MOD. |            | LAVAVAJILLAS DE CAPOTA        |                             | ZONA   | PARTE FUNCIONAL ELECTRICA |               |  | PLANO | C-1887                 |
|------|------------|-------------------------------|-----------------------------|--------|---------------------------|---------------|--|-------|------------------------|
| ITEM | CODIGO     | DENOMINACION                  | TEXTO                       | FI-100 | FI-100 B                  | FI-100B BT UK |  |       | NOTAS                  |
| 32   | 3702400000 | TUBO DE GOMA 8x4 D8*4         | BLACK RUBBER PIPE Ø 8*4     |        |                           | 1             |  |       |                        |
|      | P102154000 | BRIDA ELASTICA TUBO           | ELASTIC PIPE FLANGE         |        |                           | 2             |  |       |                        |
| 33   | Z213059000 | TRIPLE PRESOTATO 40-120-150   | TRIPLE PRESOTATO 40-120-15  |        |                           | 1             |  |       |                        |
| 34   | Z208438000 | CHAPA W TC 90°C               | PLATE W TC 90°C             |        |                           | 1             |  |       |                        |
| 35   | Z203014000 | TERMOSTATO CALDERIN           | WASH DRUM THERMOSTAT        | 1      | 1                         | 1             |  |       | ELIMINADO 01.11.2012   |
| 35   | 12040858   | TERMOSTATO CALDERIN           | WASH DRUM THERMOSTAT        | 1      | 1                         | 1             |  |       | INTRODUCIDO 01.11.2012 |
|      | Q152024000 | TORNILLO AVELLANADO M4x8      | COUNTERSUNK BOLT M4x8       | 2      | 2                         | 2             |  |       |                        |
| 36   | 3715520000 | CANALETA UNEX 60,30,77        | PIPING UNEX 60.30.77        | 3      | 3                         | 3             |  |       |                        |
|      | Q419005000 | REMACHE 4x8 ALMG3 / ALUMINIO  | RIVET 4X8 ALMG3 / ALUMINIUM | 4      | 4                         | 4             |  |       |                        |
|      | Q221342000 | REMACHE EXAGONAL M5           | HEXAGONAL RIVET M5          | 1      | 1                         | 1             |  |       |                        |
|      | Q232040000 | ARANDELA A6                   | WASHER A6                   | 2      | 2                         | 2             |  |       |                        |
|      | Q162040000 | TUERCA EXAGONAL M6            | HEXAGONAL NUT M6            | 2      | 2                         | 2             |  |       |                        |
|      | Q152004000 | TORNILL, APLASTADO M5x13 A304 | FLAT HEADED BOLT M5x13 A304 | 1      | 1                         | 1             |  |       |                        |
|      | Z713035000 | REGLETA 6 mm.                 | TERMINAL 6 mm.              | 1      | 1                         | 1             |  |       |                        |
|      | R693010000 | REGLETA 2,5MM TEKOX1106PL     | TERMINAL 2,5MM TEKOX1106PL  |        |                           | 1             |  |       |                        |
| 37   | Z213014000 | LIMITADOR TECASA P.           | LIMITER TECASA P.           | 1      | 1                         | 1             |  |       |                        |
| 38   | Z203060000 | AMARRE LIMITADOR TECASA       | LIMITER FASTENING TECASA    | 1      | 1                         | 1             |  |       |                        |
| 39   | Z713055000 | PROGRAMADOR CICLO 50HZ        | PROGRAMMER 50HZ             | 1      | 1                         |               |  |       |                        |
| 39   | Z713039000 | PROGRAMAD. CICLO 5LEVAS 60HZ  | PROGRAMMER 5LEVAS 60HZ      | 1      | 1                         |               |  |       |                        |
| 39   | Z718937000 | PROGRAMADOR 50HZ 6 LEVAS      | PROGRAMMER 50HZ 6 LEVAS     |        |                           | 1             |  |       |                        |
|      | Q042022000 | TORNILLO AVELLANADO M4x15     | COUNTERSUNK BOLT M4X15      | 2      | 2                         | 2             |  |       |                        |
|      | Q221341000 | REMACHE EXAGONAL M4           | HEXAGONAL RIVET M4          | 2      | 2                         | 2             |  |       |                        |
| 40   | Z713037000 | CAJA CUADRO ELECTRICO         | SWITCHBOARD BOX             | 1      | 1                         | 1             |  |       |                        |
| 41   | Z203050000 | CONTAC. SIRIUS 3R 230V.50-60  | CONT. SIRIUS 3RT10 16-2AP02 | 3      | 3                         | 3             |  |       |                        |
| 42   | Z683069000 | BORNA 16                      | TERMINAL 16                 | 3      | 3                         | 3             |  |       |                        |
|      | Z683097000 | BORNA PASO WDU16 10204,8      | STEP TERMINAL WDU16 10204.8 | 1      | 1                         | 1             |  |       |                        |
|      | Z683070000 | BORNA A TIERRA WEIDMULLER     | TERMINAL TO EARTH WEIDMULL  | 1      | 1                         | 1             |  |       |                        |
|      | 12040923   | BORNAS PORTA FUSIBLES 13A 4   | FUSE HOLDER TERMINALS 13A   | 2      | 2                         | 2             |  |       | INTRODUCIDO 09.07.2012 |
|      | 12040926   | FUSIBLE 0,50A Ø5MM 20X5 UL    | FUSE 0.50A UL 20X5 Ø5MM     | 4      | 4                         | 4             |  |       | INTRODUCIDO 09.07.2012 |
|      | Z683068000 | SEÑALIZ.DEK-6WEIDMULLER       | SIGNS DEK-6WEIDMULLER       | 1      | 1                         | 1             |  |       |                        |
|      | Z683096000 | TOPE FINAL WEW35 10590.0      | FINAL STOP WEW35 10590.0    | 1      | 1                         | 1             |  |       |                        |







ITEM MARCADO EN COLOR = REPUESTO RECOMENDADO  
 COLOURED ITEM = RECOMMENDED SPARE PART

|         |                    |         |                          |                      |        |                                       |
|---------|--------------------|---------|--------------------------|----------------------|--------|---------------------------------------|
| N plano | Firma              | Fecha   | Aparato                  | VALVULA ANTIRRETORNO | Lamina | Fagor Industrial S.Coop. <b>FAGOR</b> |
| C-1888  | <i>[Signature]</i> | 2007-07 | LAVAVAJILLAS FI-100 A.R. | 9                    | Oñate  |                                       |





| MOD. |            | LAVAVAJILLAS DE CAPOTA       |       | ZONA    | PIEZAS ESPECIFICAS PARA CULION |  |  |  |  | PLANO |       |
|------|------------|------------------------------|-------|---------|--------------------------------|--|--|--|--|-------|-------|
| ITEM | CODIGO     | DENOMINACION                 | TEXTO | VDS-120 |                                |  |  |  |  |       | NOTAS |
|      | Z718002000 | CUBA COM. EDESA LC-1000-1200 |       | 1       |                                |  |  |  |  |       |       |
|      | Z748009000 | CAPO COMPLETO EDESA          |       | 1       |                                |  |  |  |  |       |       |
|      | Z200550000 | ASA PUERTA COMPLETA          |       | 1       |                                |  |  |  |  |       |       |
|      | Z714502000 | ADHESIVO CAPO CULION         |       | 1       |                                |  |  |  |  |       |       |
|      | Z711004000 | ACUMULADOR CAPOTA 1503541    |       | 1       |                                |  |  |  |  |       |       |
|      | Z220903000 | MANGUERA DESAGÜE             |       | 1       |                                |  |  |  |  |       |       |
|      | Z711005000 | SOPORTE MOTOBOMBA            |       | 1       |                                |  |  |  |  |       |       |
|      | Z711006000 | PROTECCION BOMBA             |       | 1       |                                |  |  |  |  |       |       |
|      | Z711007000 | BOMBA DESAGUE                |       | 1       |                                |  |  |  |  |       |       |
|      | Z748012000 | PANEL FRONTAL EDESA COMPL.   |       | 1       |                                |  |  |  |  |       |       |
|      | Z714501000 | EMBELLECEDOR ADHES. VDS 120  |       | 1       |                                |  |  |  |  |       |       |
|      | R663056000 | BUPIPONS AUTOADHESIVO        |       | 4       |                                |  |  |  |  |       |       |
|      | Z218011000 | PRG. GICAR C.TECLADO         |       | 1       |                                |  |  |  |  |       |       |
|      | Z218013000 | CABLEADO GICAR               |       | 1       |                                |  |  |  |  |       |       |
|      | P623017000 | INTERRUPTOR GENERAL C.I.     |       | 1       |                                |  |  |  |  |       |       |
|      | R663036000 | FIJACION CIRCUITO            |       | 7       |                                |  |  |  |  |       |       |
|      | Z218017000 | SOPORTE PILOTOS COMPLETO     |       | 1       |                                |  |  |  |  |       |       |
|      | R693056000 | PILOTO AMBAR 41227000A4      |       | 1       |                                |  |  |  |  |       |       |
|      | Z218012000 | PRG. GICAR C.RELES           |       | 1       |                                |  |  |  |  |       |       |
|      | T133007000 | DISTANCIADOR M3              |       | 4       |                                |  |  |  |  |       |       |
|      | Z718005000 | SOPORTE COMPONENTES COMP.    |       | 1       |                                |  |  |  |  |       |       |
|      | T302829000 | DISTANCIADOR COMPONENTES     |       | 3       |                                |  |  |  |  |       |       |
|      | Z268003000 | TERMOMETRO GICAR             |       | 1       |                                |  |  |  |  |       |       |
|      | Z268004000 | SONDAS TEMPERATURA GICAR     |       | 2       |                                |  |  |  |  |       |       |
|      | Z748008000 | SOPORTE BULBO TERMOSTATO     |       | 1       |                                |  |  |  |  |       |       |
|      | Z718004000 | AMARRE SONDA                 |       | 1       |                                |  |  |  |  |       |       |
|      | Z713098000 | PRESOSTATO SEGURIDAD         |       | 1       |                                |  |  |  |  |       |       |
|      | Z103077000 | RACORD EN Y                  |       | 1       |                                |  |  |  |  |       |       |
|      | P443060000 | TAPON                        |       | 1       |                                |  |  |  |  |       |       |
|      | Z203014000 | TERMOSTATO CALDERIN          |       | 1       |                                |  |  |  |  |       |       |
|      | Z748027000 | REGU. TERMOS. TANQUE 60 °C   |       | 1       |                                |  |  |  |  |       |       |

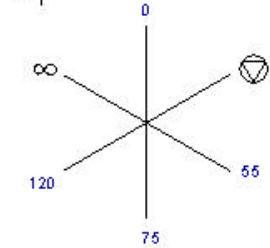
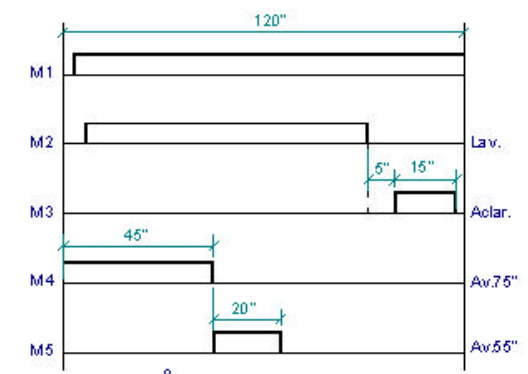
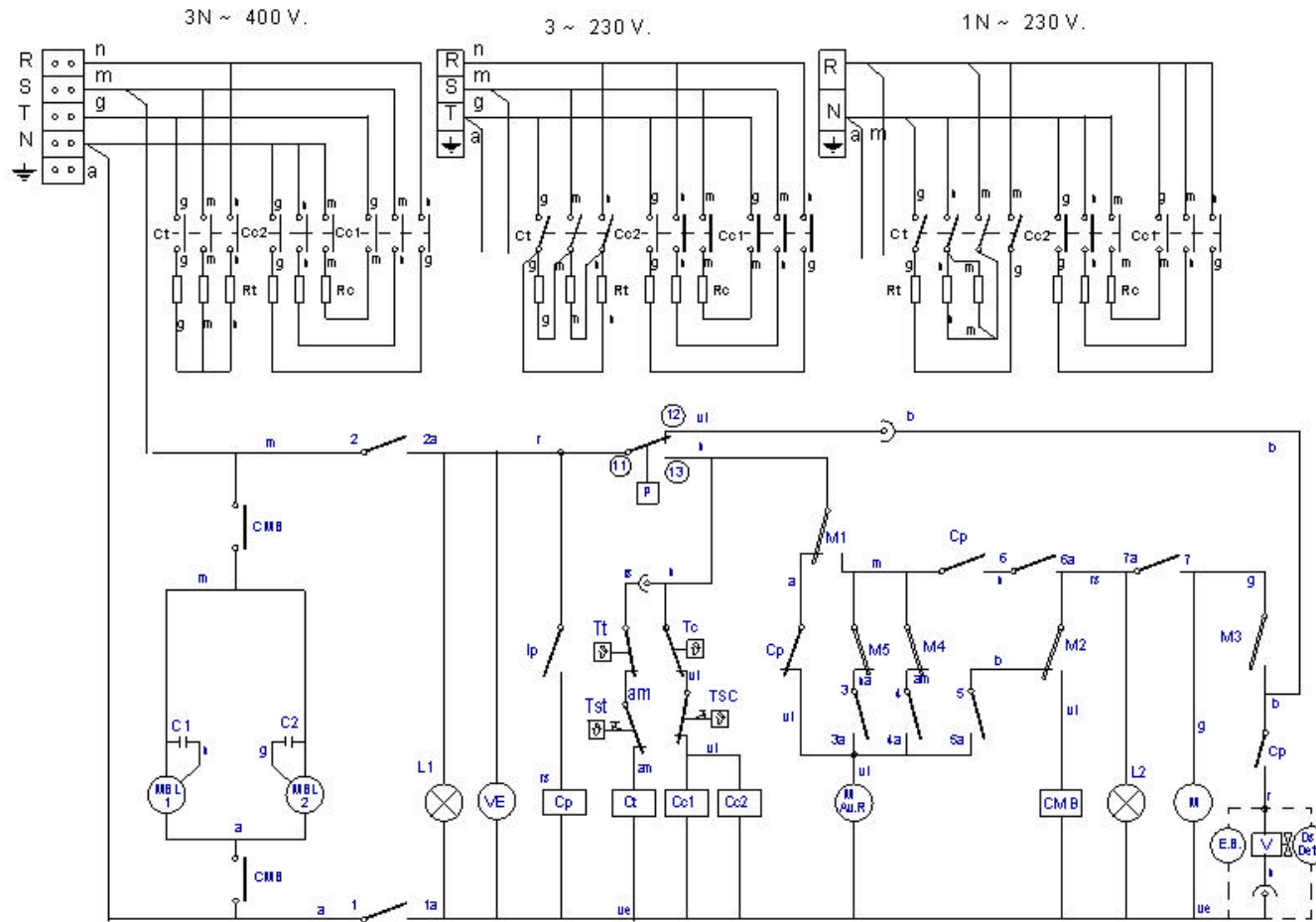


MOD.  ZONA  PLANO

| ITEM | CODIGO     | DENOMINACION                   | TEXTO | VDS-120 |  |  |  |  |  |  |  | NOTAS          |
|------|------------|--------------------------------|-------|---------|--|--|--|--|--|--|--|----------------|
|      | Z728004000 | CABLEA. CONECTOR SONDAS LC     |       | 1       |  |  |  |  |  |  |  |                |
|      | Z748021000 | INSTALACION ELEC. L.CAP. EDESA |       | 1       |  |  |  |  |  |  |  |                |
|      | Z714504000 | CABLE. BOMBA DESAGUE EDESA     |       | 1       |  |  |  |  |  |  |  |                |
|      | Z714503000 | ESQUEMA TEORICO VDS 120B       |       | 1       |  |  |  |  |  |  |  | PLANO HC-18059 |
|      | Z728003000 | PLANO MONTAJE LC1200, LC1000   |       | 1       |  |  |  |  |  |  |  | PLANO HC-17982 |
|      | Z468023000 | DISTANCIADOR INTERRUPT. C.I.   |       | 1       |  |  |  |  |  |  |  |                |
|      | Z714505000 | FOLLETO DE INSTRUCCIONES       |       | 1       |  |  |  |  |  |  |  |                |
|      |            |                                |       |         |  |  |  |  |  |  |  |                |
|      |            |                                |       |         |  |  |  |  |  |  |  |                |
|      |            |                                |       |         |  |  |  |  |  |  |  |                |
|      |            |                                |       |         |  |  |  |  |  |  |  |                |
|      |            |                                |       |         |  |  |  |  |  |  |  |                |
|      |            |                                |       |         |  |  |  |  |  |  |  |                |
|      |            |                                |       |         |  |  |  |  |  |  |  |                |
|      |            |                                |       |         |  |  |  |  |  |  |  |                |
|      |            |                                |       |         |  |  |  |  |  |  |  |                |
|      |            |                                |       |         |  |  |  |  |  |  |  |                |
|      |            |                                |       |         |  |  |  |  |  |  |  |                |
|      |            |                                |       |         |  |  |  |  |  |  |  |                |
|      |            |                                |       |         |  |  |  |  |  |  |  |                |
|      |            |                                |       |         |  |  |  |  |  |  |  |                |
|      |            |                                |       |         |  |  |  |  |  |  |  |                |
|      |            |                                |       |         |  |  |  |  |  |  |  |                |
|      |            |                                |       |         |  |  |  |  |  |  |  |                |
|      |            |                                |       |         |  |  |  |  |  |  |  |                |
|      |            |                                |       |         |  |  |  |  |  |  |  |                |
|      |            |                                |       |         |  |  |  |  |  |  |  |                |
|      |            |                                |       |         |  |  |  |  |  |  |  |                |

# FI - 100 , FI - 120 , FI - 120 T , KM - 120 , MLC - 120

④



| IG  | 1<br>1a | 2<br>2a | 3<br>3a | 4<br>4a | 5<br>5a | 6<br>6a | 7<br>7a |
|-----|---------|---------|---------|---------|---------|---------|---------|
| 0   |         |         |         |         |         |         |         |
| 55  | X       | X       | X       | X       |         | X       | X       |
| 75  | X       | X       |         | X       |         | X       | X       |
| 120 | X       | X       |         |         |         | X       | X       |
| ∞   | X       | X       |         |         | X       | X       |         |

Z71 3032000

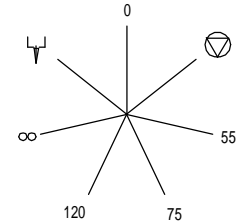
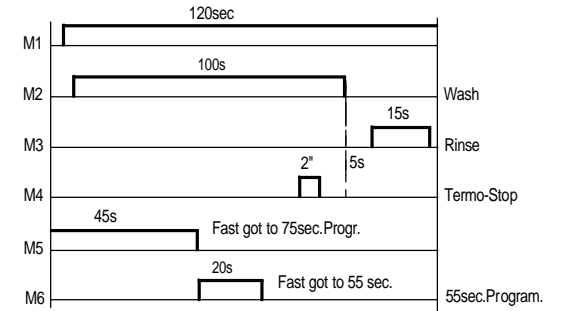
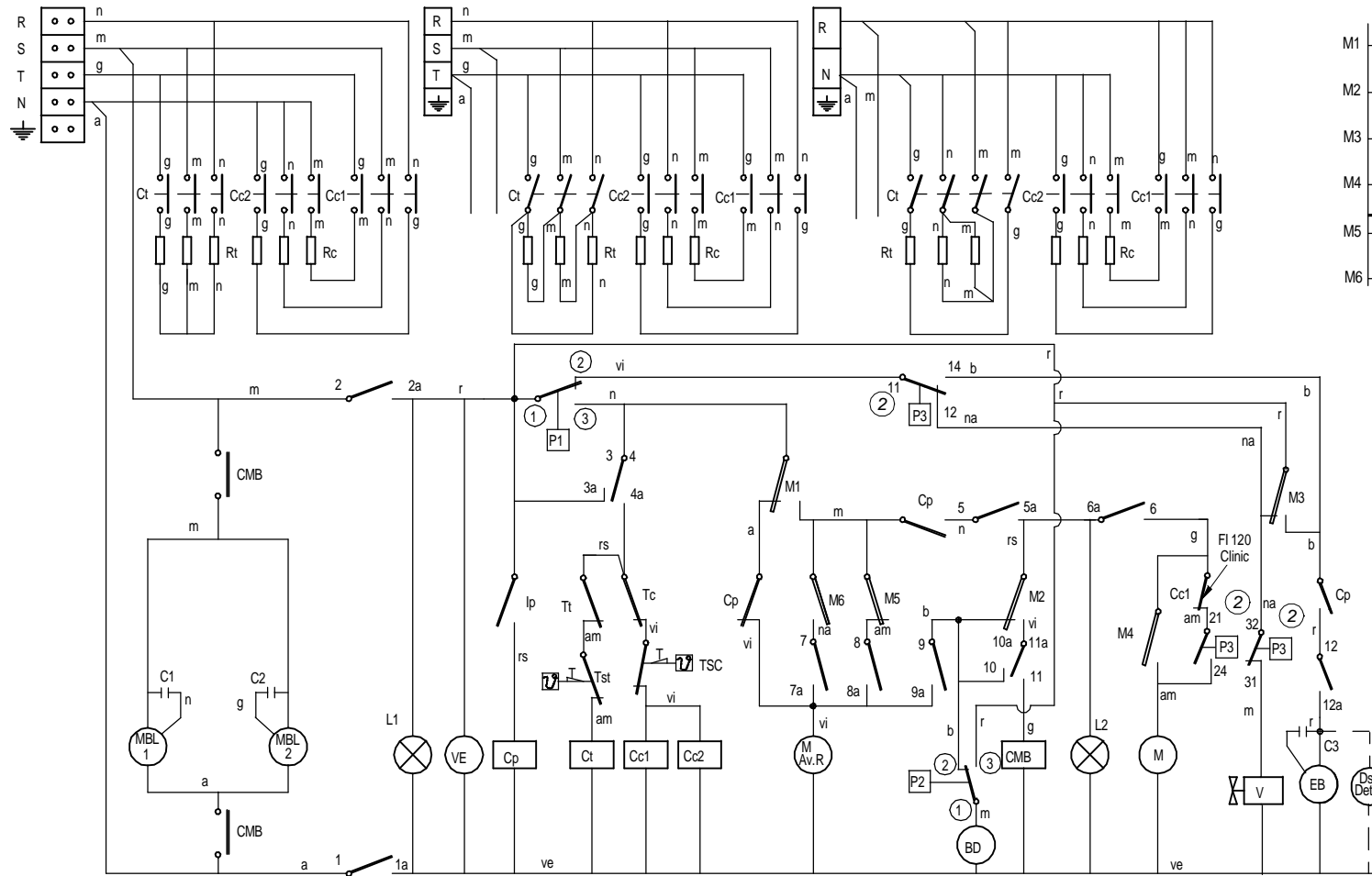
| Esquema teorico adhesivo   |                               |                 | Z-713032                      |  |                                    |
|--|-------------------------------|-----------------|-------------------------------|--|------------------------------------|
| Zk./Nº   | Peza                          | Cant.           | Materia/Material              | Klas. zk./Nº Clas.                         | Gaiuzal akaberu/Tratam. kimiko     |
| Zk./Nº   | Aktatze/Modifikazioak         |                 | Norm. proposatua/Proposeta de | Data/Fecha                                 | Perdola okorrak<br>To krakotasunak |
| 1  | Introducir cable negro        |                 | M. Maillo                     | 14-6-2002                                  |                                    |
| 2  | Cambiar de negro a rosa en Tt |                 | M. Maillo                     | 03-01-2003                                 | < 5 ±                              |
| 3  | Cambiar de posición Cp        |                 | M. Maillo                     | 26-02-2007                                 | 50 + 100 ±                         |
| 4  | MOVIL FRIT modelos sartas     |                 | m gangotit                    | 2007-04-18                                 | > 100±                             |
| -  | -                             |                 | -                             | -  | 25 + 50 ±                          |
|  | Marrazkia/Dibujado            | S. N.-          | 12-11-2001                    | Gaiuzalperdoia<br>Mecanizado estereotipo   |                                    |
|  | Proiektatza/Proyektado        | -               | -                             |  |                                    |
|  | Egiaztatza/Comprobado         | <i>BIENITTE</i> | -                             | Plano zk./Plano Nº<br><b>HC-17386</b> - 04 |                                    |
|  | Eskala/Escala                 |                 |                               |  |                                    |
| <b>FAGOR</b>   |                               |                 |                               |  |                                    |
| Fagor Industrial, Koop. E.K. M. I. gaita                           |                               |                 |                               |  |                                    |
| <b>LAVAVAJILLAS</b>  |                               |                 |                               |  |                                    |
| Plano katezko datuak erabiliz, ezberdiztatuz, gure balioekin gabe. |                               |                 |                               |  | Zk. ord. d.1                       |
|  |                               |                 |                               |  | Zk. gaitik ord.                    |

# FI 120 CLINIC LINE, FI 100B BT

3N ~ 380/415V.

3 ~ 230V.

1N ~ 240V.

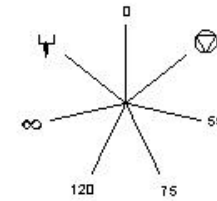
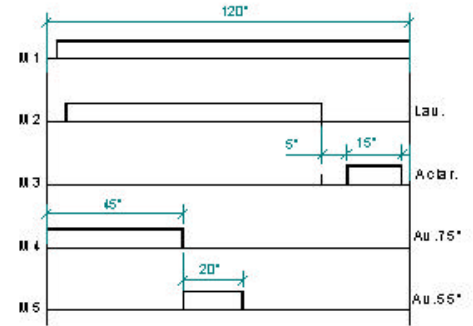
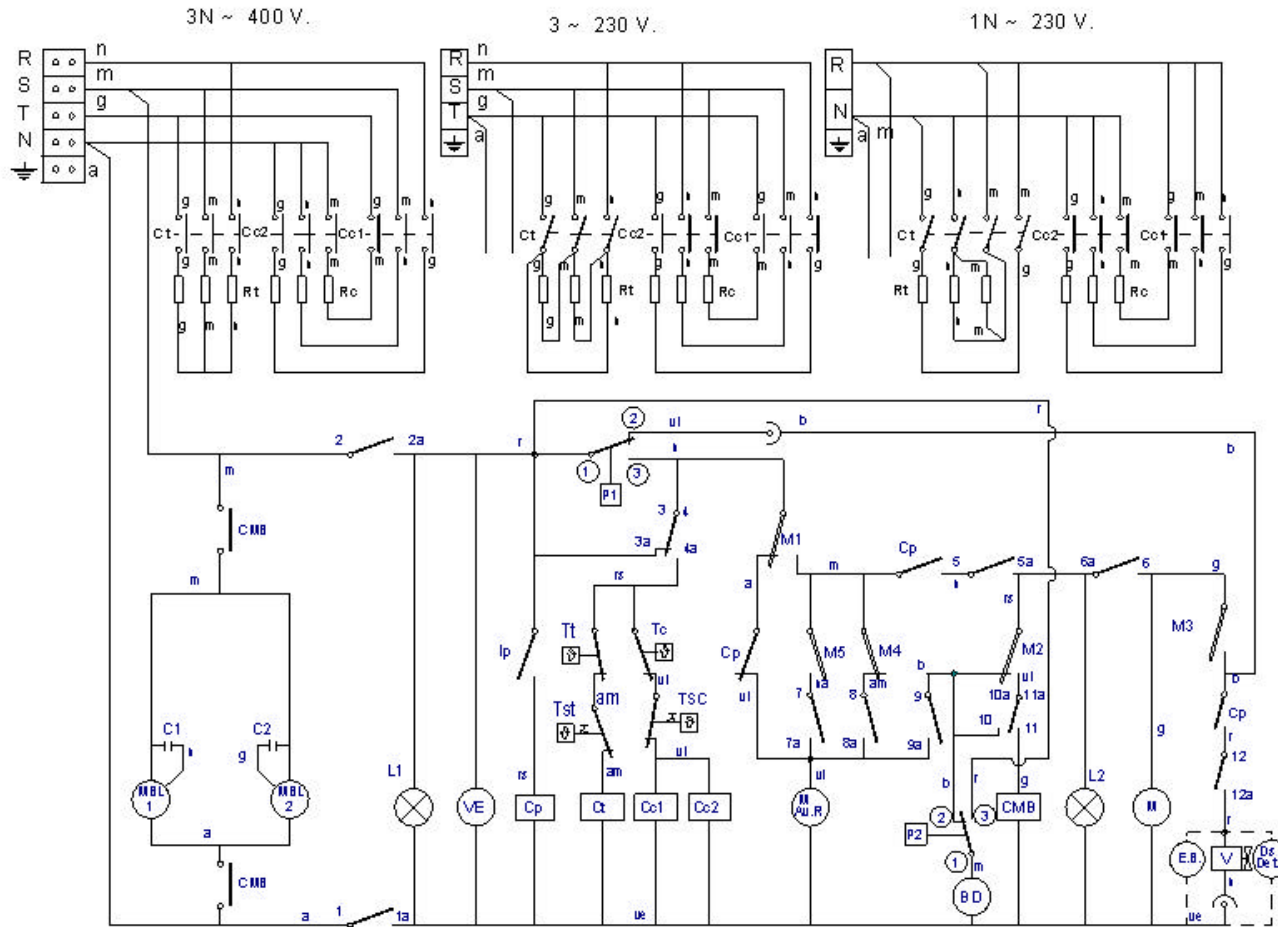


| IG  | 1<br>1a | 2<br>2a-3a | 3<br>4a | 4<br>5a | 5<br>6a | 6<br>7a | 7<br>8a | 8<br>9a | 9<br>10a | 10<br>11a | 11<br>12a | 12 |
|-----|---------|------------|---------|---------|---------|---------|---------|---------|----------|-----------|-----------|----|
| 0   |         |            |         |         |         |         |         |         |          |           |           |    |
| ∞   | X       | X          |         | X       |         |         |         |         |          |           | X         | X  |
| 55  | X       | X          |         | X       | X       | X       | X       | X       |          |           | X         | X  |
| 75  | X       | X          |         | X       | X       | X       |         | X       |          |           | X         | X  |
| 120 | X       | X          |         | X       | X       | X       |         |         |          |           | X         | X  |
| ∞   | X       | X          |         | X       | X       |         |         |         | X        |           | X         | X  |
| ∞   | X       | X          | X       |         | X       | X       |         |         |          | X         |           |    |

Z718939000

| ESQUEMA TEORICO 120 Clinic Line, 100B BT                           |   |                      |                              | Z718939000  |
|--|---|----------------------|------------------------------|---|
| Zk./Nº   | Pieza   | Cant.                | Materia/Material             | Klas. zk/Nº Clas. Gainazal akabera/Tratamiento    |
| Zk./Nº   | Aldaketa/Modificaciones                               |                      | Nork proposatua/Propuesta de | Data/Fecha Perdoi orokorrak Tolerancias generales |
| 1  | Introducir FI100B BT                                  |                      | Eneritz                      | 22-01-2007 < 5 ± 50 ÷ 100 ±                       |
| 2  | Se sustituyen P3, P4 y P5 por el triple presostato P3 |                      | MALBES                       | 22-06-2007 5 ÷ 25 ± >100±                         |
| -  | -   |                      | -                            | 25 ÷ 50 ± α ±                                     |
| -  | -   |                      | -                            | -   |
| Sinadura/Firma   |   | Data/Fecha           |                              | <br>Fagor Industrial, Koop. Elk. Mugatua          |
| Marraztua/Dibujado   |   | M.Maillio 22-05-2005 |                              |   |
| Proiektatua/Proyectado   |   | M.Maillio 22-05-2005 |                              |   |
| Egiaztatua/Comprobado  |   | ENERITZ 22-05-2005   |                              |   |
| Eskala/Escala  |   |                      |                              | Gainazal perdoia Mecanizado superficial           |
|  |   |                      |                              | Plano Zk./Plano Nº HC-17804 -02                   |
|  |   |                      |                              | - Zk. ord. du                                     |
| Plano hau ezin daiteke erabili, ez berriztatu, gure baimenik gabe. |   |                      |                              | - Zk.gaitik ord.                                  |

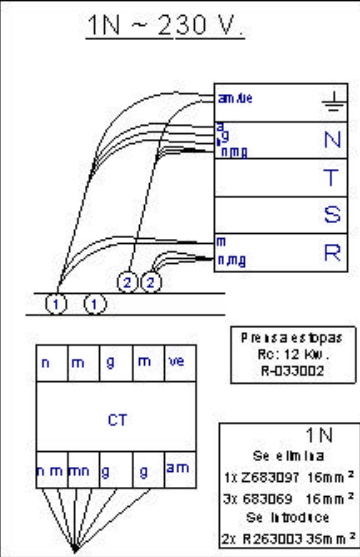
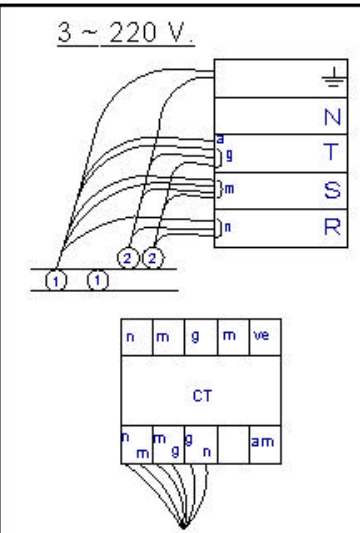
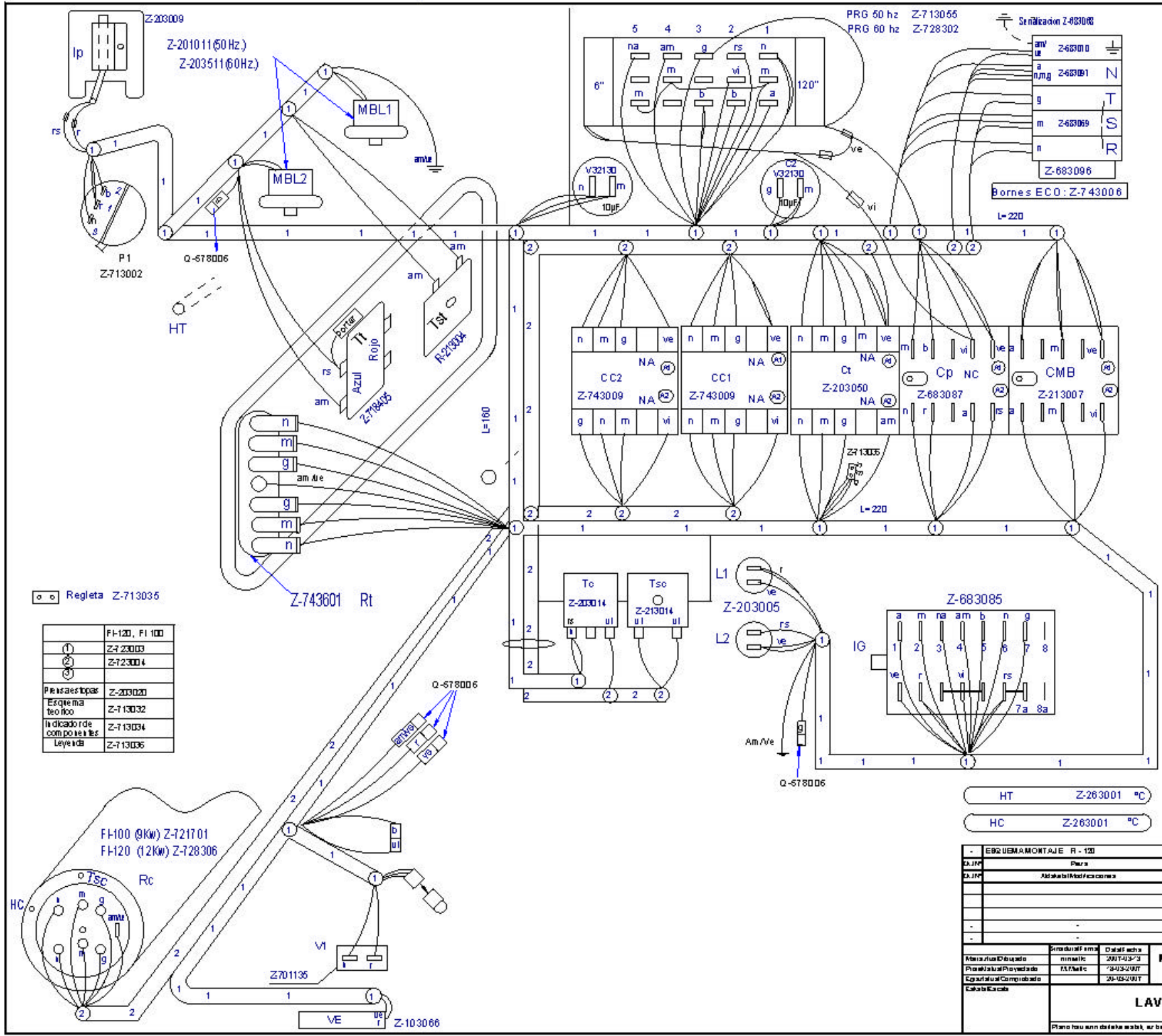
# FI - 120 B, FI - 100 B



|     | 1  | 2     | 3  | 4     | 5     | 6  | 7       | 8   | 9 | 10 | 11 | 12 |
|-----|----|-------|----|-------|-------|----|---------|-----|---|----|----|----|
| 0   | 1a | 2a-3a | 4a | 5a-6a | 7a-8a | 9a | 10a-11a | 12a |   |    |    |    |
| 0   |    |       |    |       |       |    |         |     |   |    |    |    |
| 55  | X  | X     |    | X     | X     | X  | X       | X   |   |    | X  | X  |
| 75  | X  | X     |    | X     | X     | X  |         | X   |   |    | X  | X  |
| 120 | X  | X     |    | X     | X     | X  |         |     |   |    | X  | X  |
| 0C  | X  | X     |    | X     | X     |    |         |     | X |    | X  | X  |
| L1  | X  | X     | X  |       | X     | X  |         |     |   | X  |    |    |

Z713096000

| ESQUEMA TEORICO ADHESIVO   |                               |                    |                              | Z713096000                               |   |
|--|-------------------------------|--------------------|------------------------------|--|---|
| Zk./N°   | Peza                          | Cant.              | Materia/Material             | Klas. zk./N° Clas.                       | Gaiazal akabera/Tratam. k. ind.         |
| Zk./N°   | Aldaketa/Modifikazioak        |                    | Nork proposatua/Proposeta de | Data/Feixa                               | Perdola orokorrak To krak klas. geterak |
| 01   | Cambiar de negro a rosa en Tt |                    | M. Mallio                    | 03-01-2003                               |   |
| 2  | Cambiar de posición Cp        |                    | M. Mallio                    | 26-02-2007                               | - 5 ± 50 + 100 ±                        |
| -  | -                             |                    | -                            | -  | 5 + 25 ± > 100 ±                        |
| -  | -                             |                    | -                            | -  | 25 + 50 ± 0 ±                           |
| -  | -                             |                    | -                            | -  |   |
|  | Marrazta/Dibujado             | Inzarbalza         | Data/Feixa                   | <br>Fagor Industrial, Koop. Ek. M. gaita | Gaiazal perdola Mecanizado especial     |
|  | Proiektatza/Proyektado        | Inzarbalza         | Data/Feixa                   |  |   |
|  | Egiazatza/Comprobado          | <i>[Signature]</i> | Data/Feixa                   |  |   |
|  | Eskaia/Escala                 |                    |                              |  |   |
| <b>LAVAVAJILLAS</b>  |                               |                    |                              |  | Plano Zk./Plano N° <b>HC-17463-02</b>   |
| Plano katezko datuak erabiliz, ezberdiztatuz, gure balioekin gabe. |                               |                    |                              |  | - Zk. ord. d.1                          |
|  |                               |                    |                              |  | - Zk. gaitk. ord.                       |

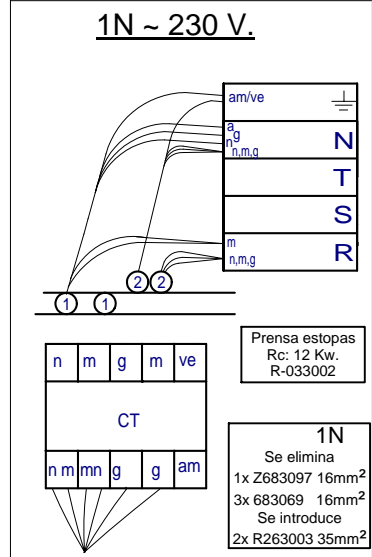
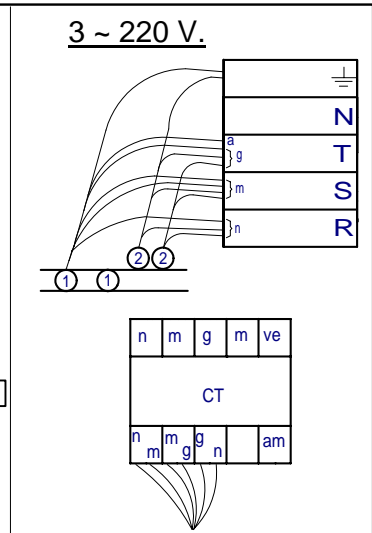
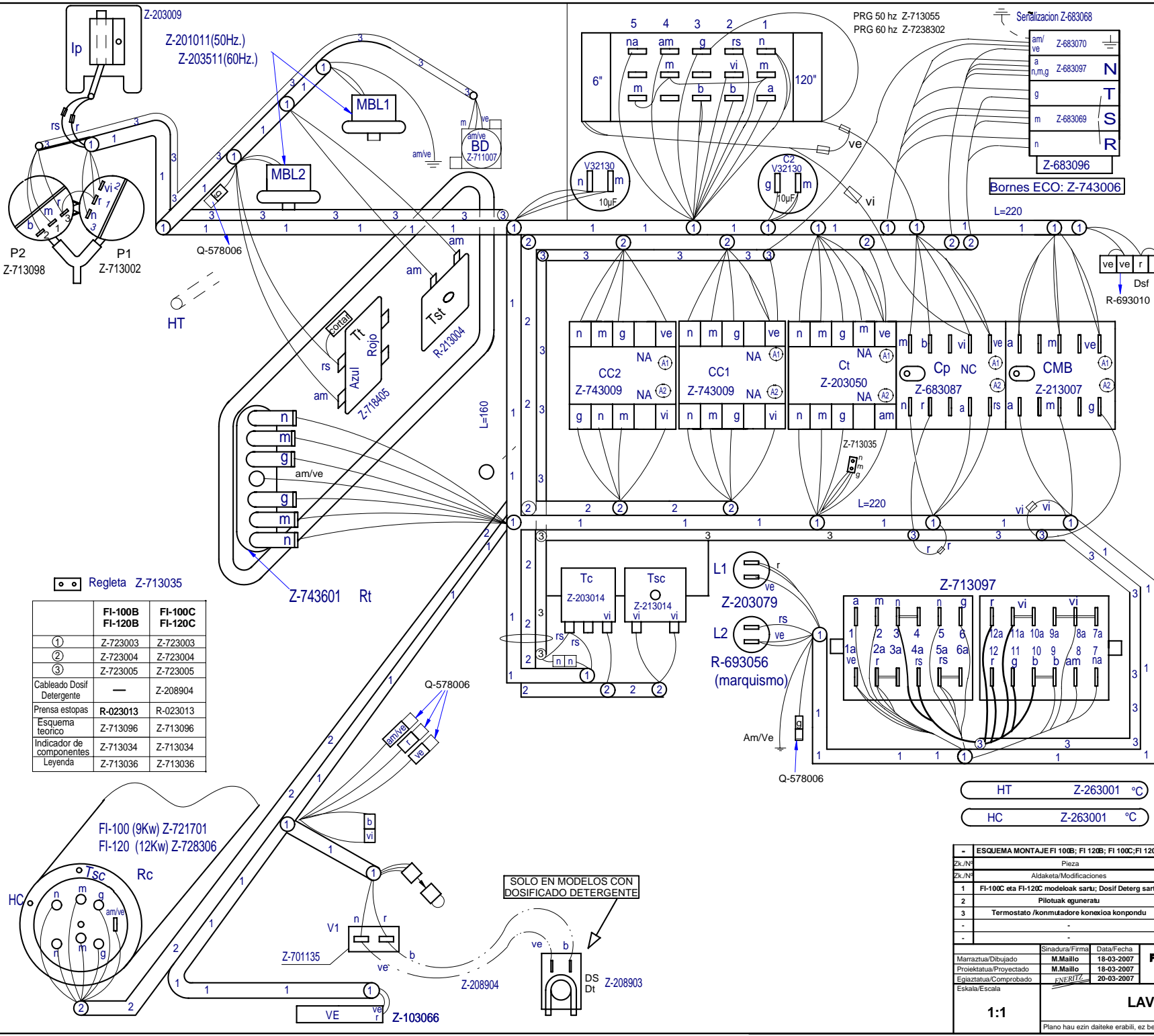


Regleta Z-713035

|                          |                |
|--------------------------|----------------|
| 1                        | FH-120, FI-100 |
| 2                        | Z-723003       |
| 3                        | Z-723004       |
| Pres. a est. b. pas      | Z-203009       |
| Esquema teórico          | Z-713032       |
| Indicador de componentes | Z-713034       |
| Leyenda                  | Z-713036       |

HT Z-263001 °C  
HC Z-263001 °C

| EBO UEM MONTAJE R-120 |                           | -72800 8000  |                 |
|-----------------------|---------------------------|--|-----------------|
| D.I.F.P.              | Para                      | Materiales   | Usos, ANP Clas. |
| D.I.F.P.              | Adaptación/Modificaciones | Mark. programada/Pl. opuestas de                           | Datos técnicos  |
|                       |                           | Perdida estimada de aislamiento generada                   |                 |
|                       |                           | + 3.1 [0.2]  |                 |
|                       |                           | + 25.1 [0.2]   |                 |
|                       |                           | 25 - 50.1 [0.2]  |                 |
|                       |                           | General perdas   |                 |
|                       |                           | Materiales/Equipado  |                 |
|                       |                           | Producción/Instal.   |                 |
|                       |                           | Procesado/Proyecto de                                      |                 |
|                       |                           | Equipado/Comprobado  |                 |
|                       |                           | Calidad/Control  |                 |
|                       |                           |  |                 |
|                       |                           | Fábrica Industrial Kemp S.A., Magaluf                      |                 |
|                       |                           | Plano D.1/Plano P.P.                                       |                 |
|                       |                           | HC-18054   |                 |
|                       |                           | D. ind. de   |                 |
|                       |                           | D. g. ind. de  |                 |
|                       |                           | Plano hau san dafeta ezaki, az beurtatu, gure baimen gabe. |                 |



Regleta Z-713035

|                           | FI-100B<br>FI-120B | FI-100C<br>FI-120C |
|---------------------------|--------------------|--------------------|
| ①                         | Z-723003           | Z-723003           |
| ②                         | Z-723004           | Z-723004           |
| ③                         | Z-723005           | Z-723005           |
| Cableado Dosif Detergente | —                  | Z-208904           |
| Prensa estopas            | R-023013           | R-023013           |
| Esquema teorico           | Z-713096           | Z-713096           |
| Indicador de componentes  | Z-713034           | Z-713034           |
| Leyenda                   | Z-713036           | Z-713036           |

HT Z-263001 °C

HC Z-263001 °C

| ESQUEMA MONTAJE FI 100B; FI 120B; FI 100C; FI 120C |   |                  | Z723007000       |   |
|--|---|------------------|------------------|---|
| Zk./Nº   | Pieza   | Materia/Material | Klas. zk/Nº Clas | Gainazal akabera/Tratamiento                            |
| 1  | FI-100C eta FI-120C modelokak saru; Dosif Deterg saru | scaro            | 2008-03-11       | Perdori orokorak<br>Tolerancias generales               |
| 2  | Pilotuak eguneratu                                    | I.Larrañaga      | 2008-04-28       | <5 ± 0.2  |
| 3  | Termostato /konmutadore konexioa konpondu             | scaro            | 2008-10-16       | 50 ± 100 ± 0.8<br>5 ± 25 ± 0.4<br>25 ± 50 ± 0.6 α = 1.0 |

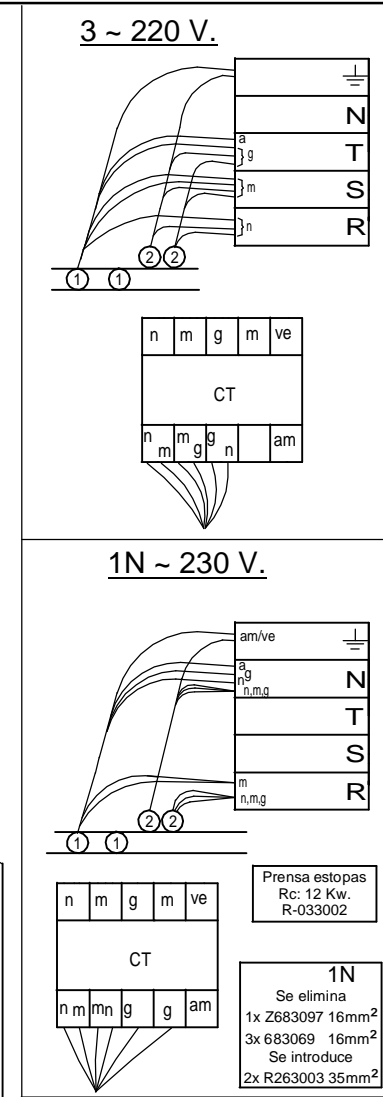
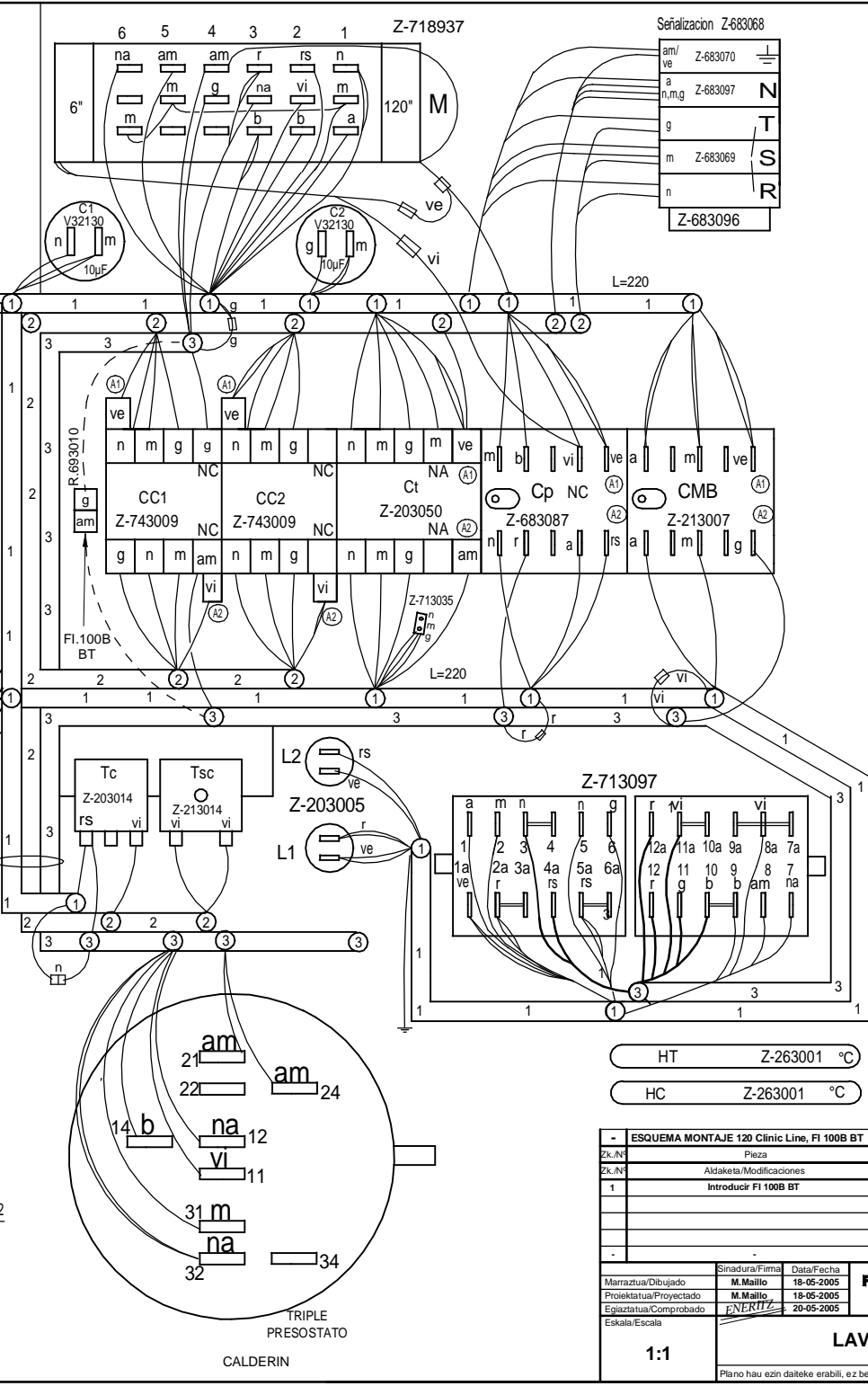
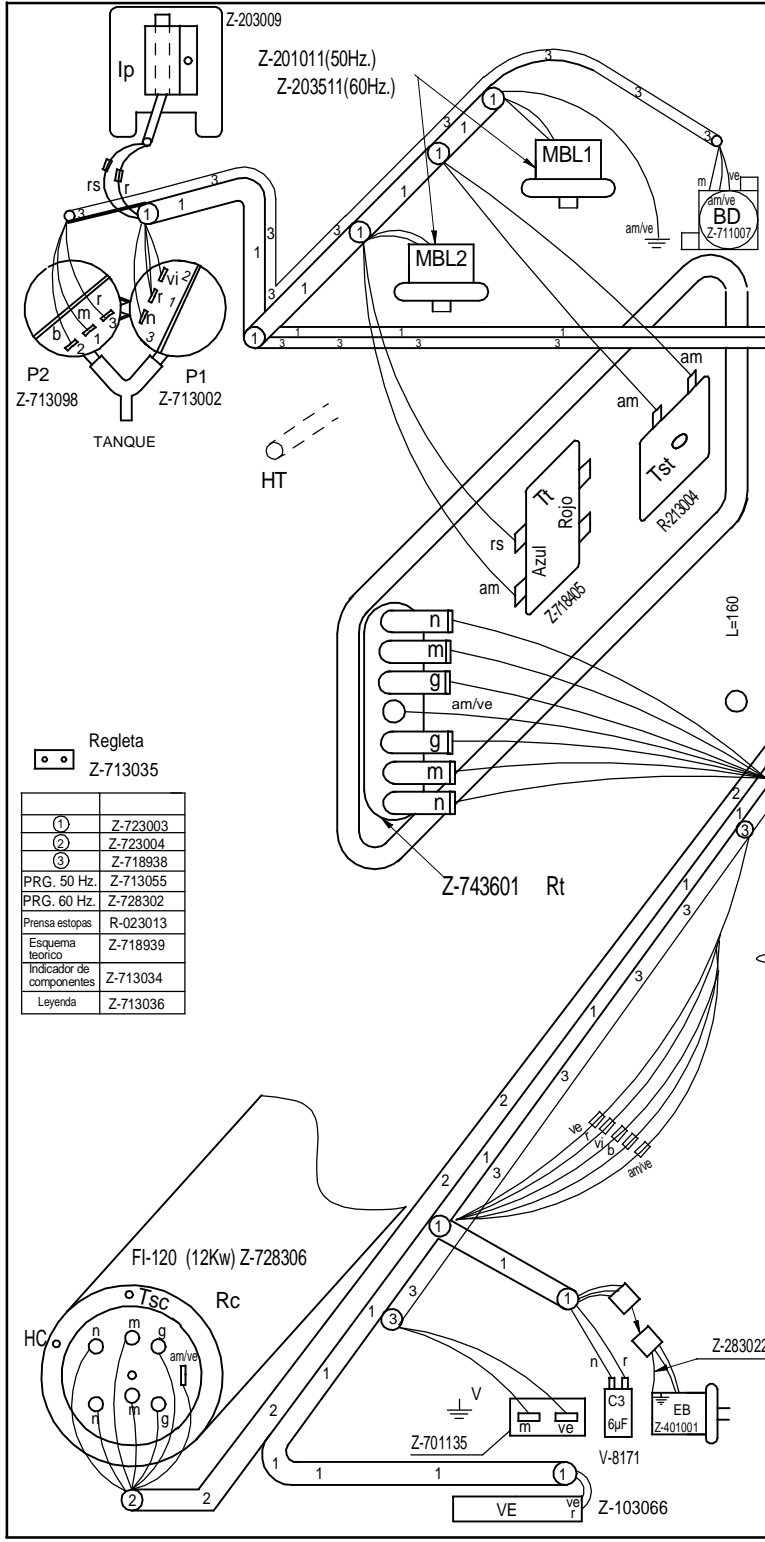
|                        |                |            |  |  |
|------------------------|----------------|------------|--|--|
| Marratuz/Dibujado      | Sinadura/Firma | Data/Fecha | <br>Fagor Industrial, Koop. Elk. Mugatua | Gainazal perdoia<br>Mecanizado superficial |
| Proiektatua/Proyectado | M.Mailló       | 18-03-2007 |  |  |
| Egiaztatua/Comprobado  | M.Mailló       | 18-03-2007 |  |  |
| Eskala/Escala          | ENERITZ        | 20-03-2007 |  |  |

**LAVAVAJILLAS**

Plano Zk./Plano Nº  
HC-18055 -03

1:1

Plano hau ezin daiteke erabili, ez berrizatu, gure baimen gabe.



Regleta  
Z-713035

|                          |          |
|--------------------------|----------|
| ①                        | Z-723003 |
| ②                        | Z-723004 |
| ③                        | Z-718938 |
| PRG. 50 Hz.              | Z-713055 |
| PRG. 60 Hz.              | Z-728302 |
| Prensa estopas           | R-023013 |
| Esquema teórico          | Z-718939 |
| Indicador de componentes | Z-713034 |
| Leyenda                  | Z-713036 |

HT Z-263001 °C  
HC Z-263001 °C

| ESQUEMA MONTAJE 120 Clinic Line, FI 100B BT                       |                         | Z718940000   |                  |
|---|-------------------------|--|------------------|
| Zk. N°  | Pieza                   | Materia/Material   | Klas. zk/N° Clas |
| Zk. N°  | Aldaketa/Modificaciones | Nork proposatua/Propuesta de   | Data/Fecha       |
| 1   | Introducir FI 100B BT   | Eneritz  | 22-01-2007       |
|   |                         | Perdori orokorrak<br>Tolerantzia generales                                 |                  |
|   |                         | $5 < 5 \pm 0.2$<br>$5 < 25 \pm 0.4$<br>$25 < 50 \pm 0.6$                   |                  |
|   |                         | Gainazal akabera/Tratamintea<br>Gainazal perdoia<br>Mecanizado superficial |                  |
| Marraztua/Dibujado<br>M. Maillo<br>18-05-2005                     |                         | Sinadura/Firma<br>M. Maillo<br>18-05-2005                                  |                  |
| Proiektatua/Proyectado<br>M. Maillo<br>18-05-2005                 |                         | Egiaztatua/Comprobado<br>ENERITZ<br>20-05-2005                             |                  |
| Eskala/Escala   |                         | FAGOR  |                  |
|   |                         | Fagor Industrial, Koop. E.l.k. Mugatua                                     |                  |
| 1:1   |                         | Plano Zk./Plano N°<br><b>LAVAVAJILLAS</b><br>HC-17805 - 1                  |                  |
| Plano hau ezin daitake erabili, ez berrizatu, gure baimenik gabe. |                         | Zk. ord. du<br>Zk. gaitik. or.   |                  |

# LEYENDA CAPOTA

|            | ESPAÑOL                           | FRANÇAIS                        | ENGLISH                      | DEUTSCH                                     | ITALIANO                                |
|------------|-----------------------------------|---------------------------------|------------------------------|---|---|
| (A) (B)    | Puntos de conexión con R          | Points de conexión R            | Connection point with R      | Anschlußpunkte mit R                        | Punti di collegamento con R             |
| BD         | Bomba desagüe                     | Pompe de vidange                | Drain pump                   | Abflußpumpe                                 | Pompa scarico                           |
| C 1/2/3    | Condensador                       | Condensateur                    | Condenser                    | Kondensator                                 | Condensatore                            |
| CMB        | Contactora bomba lavado           | Contacteur pompe lavage         | Wash pump contactor          | Kontaktschütz Waschpumpe                    | Contattore pompa lavaggio               |
| Cc 1/2     | Contactora calentamiento calderin | Contacteur chauf. surchauffeur  | Boiler heating contactor     | Kontaktschütz Boilerheizung                 | Contattore riscaldamento boiler         |
| Ct         | Contactora calentamiento tanque   | Contacteur chauffage cuve       | Tank heating contactor       | Kontaktschütz Heizung Tank                  | Contattore riscaldamento serbatoio      |
| CP         | Rele puerta                       | Relais porte                    | Door relay                   | Türrelais                                   | Rele porta                              |
| Ds.Det.    | Dosificador detergente            | Dosueur de detergent            | Detergent doser              | Dosierer Spülmittel                         | Dosatore detersivo                      |
| E.B        | Electrobomba de presión           | Electropompe de pression        | Electric pressure pump       | Elektro-Drucksteigerungspumpe               | Electropompa pressione                  |
| IG         | Interruptor general               | Interrupteur general            | Main switch                  | Hauptschalter                               | Interruttore generale                   |
| IP         | Micro puerta                      | Micro porte                     | Door microswitch             | Mikroschalter Tür                           | Micro porta                             |
| L1         | Piloto de encendido               | Voyant fonctionnement           | Operation light              | Betriebsanzeigelampe                        | Spia accensione                         |
| L2         | Piloto marcha                     | Voyant démarrage                | Start light                  | Startanzeigelampe                           | Spia avvio                              |
| L3         | Piloto máquina preparada          | Voyant machine prêt             | Light machine ready          | Betriebsbereitschaftsanzeigelampe           | Pilota macchina preparata               |
| MBL 1/2    | Bomba lavado                      | Pompe lavage                    | Wash pump                    | Waschpumpe                                  | Pompa lavaggio                          |
| M          | Motor programador                 | Moteur du programmeur           | Motor programmer             | Motor Programmiervorrichtung                | Motore programmatore                    |
| M Av. R    | Motor program. avance rápido      | Moteur du progr.avance rapide   | Motor program. rapid advance | Motor Programmiervorrich. schneller Vorlauf | Motore programmatore avanzamento rapido |
| M1         | Micro programador marcha          | Micro du programm. de marche    | Micro programmer on          | Motor Programmiervorrich. Betrieb           | Micro programma. di funzionamento       |
| M2         | Micro programador lavado          | Micro du programm. de lavage    | Micro programmer wash        | Motor Programmiervorrich. Waschen           | Micro programmatore di lavaggio         |
| M3         | Micro programador aclarado        | Micro du programm. de rinçage   | Micro programmer on          | Motor Programmiervorrich. Spülen            | Micro programmatore di risciacquo       |
| M4         | Micro programador Termo-stop      | Micro du programm. Thermo-stop  | Micro programmer Thermo-stop | Motor Programmiervorrich. Thermo-Stop       | Micro programmatore Termo-stop          |
| M5         | Micro programador avance          | Micro du programm. avance       | Micro programmer advance     | Motor Programmiervorrich. Vorlauf           | Micro programmatore avanzamento         |
| M6         | Micro programador avance          | Micro du programm. avance       | Micro programmer advance     | Motor Programmiervorrich. Vorlauf           | Micro programmatore avanzamento         |
| P, P1, P5  | Presostato                        | Pressostat                      | Pressure switch              | Druckwächter                                | Pressostato                             |
| P2, P3, P4 | Presostato limitador              | Pressostat de sécurité          | Hi-limit pressure switch     | Begrenzer Druckwächter                      | Pressostato limitatore                  |
| R          | Rele de Generador de A.C.         | Relais du Générateur            | Generator reles              | Relais Generator                            | Rele Generatore                         |
| (R) (N)    | Toma de alimentac. Generador A.C. | Alimentation generateur         | Water heater feeding         | Stromversorgungsanschluß Gener.             | Alimentazione generatore                |
| RC         | Resistencia calderin              | Resistance surchauffeur         | Boiler heating element       | Heizwiderstand Boiler                       | Resistenza boiler                       |
| RT         | Resistencia tanque                | Resistance cuve                 | Tank heater                  | Heizwiderstand Tank                         | Resistenza serbatoio                    |
| Tt         | Termostato tanque                 | Thermostat de cuve              | Tank thermostat              | Thermostat Tank                             | Termostato serbatoio                    |
| TC         | Termostato calderin               | Thermostat surchauffeur         | Boiler thermostat            | Thermostat kessel                           | Termostato boiler                       |
| Tst        | Limitador tanque                  | Limiteur de cuve                | Tank limiter                 | Begrenzer Tank                              | Limitatore serbatoio                    |
| TSC        | Limitador calderin                | Limiteur surchauffeur           | Boiler Hi-limit              | Begrenzer Boiler                            | Limitatore boiler                       |
| TSTP       | Termostato termo-stop             | Thermostat Thermo-stop          | Thermo-stop Thermostat       | Thermostat Thermo-stop                      | Termostato Thermo-stop                  |
| V          | Electrovalvula llenado y aclarado | Electrovan. remplissage rinçage | Fill and rinse valve         | Elektroventil Füllen und Spülen             | Elettroval. riempimento e risciacquo    |
| VE         | Ventilador cuadro eléctrico       | Ventilateur tableau électrique  | Switchboard fan              | Schalttafelventilator                       | Ventilatore quadro elettrico            |
| COLOR      | COLORES                           | COULEURS                        | COLOUR                       | FARBEN                                      | COLORE                                  |
| a =        | Azul                              | Bleu                            | Blue                         | Blau  | Blu                                     |
| am =       | Amarillo                          | Jaune                           | Yellow                       | Gelb  | Giallo                                  |
| am/ve =    | Amarillo/verde                    | Jaune / vert                    | Yellow / green               | Gelb/grün                                   | Giallo/verde                            |
| b =        | Blanco                            | Blanc                           | White                        | Weiß  | Bianco                                  |
| g =        | Gris                              | Gris                            | Grey                         | Grau  | Grigio                                  |
| m =        | Marrón                            | Marron                          | Brown                        | Braun                                       | Marrone                                 |
| n =        | Negro                             | Noir                            | Black                        | Schwarz                                     | Nero                                    |
| na =       | Naranja                           | Orange                          | Orange                       | Orange                                      | Arancio                                 |
| r =        | Rojo                              | Rouge                           | Red                          | Rot   | Rosso                                   |
| rs =       | Rosa                              | Rose                            | Pink                         | Rosa  | Roseo                                   |
| ve =       | Verde                             | Vert                            | Green                        | Grün  | Verde                                   |
| vi =       | Violeta                           | Violet                          | Purple                       | Violett                                     | Viola                                   |

Z-713036