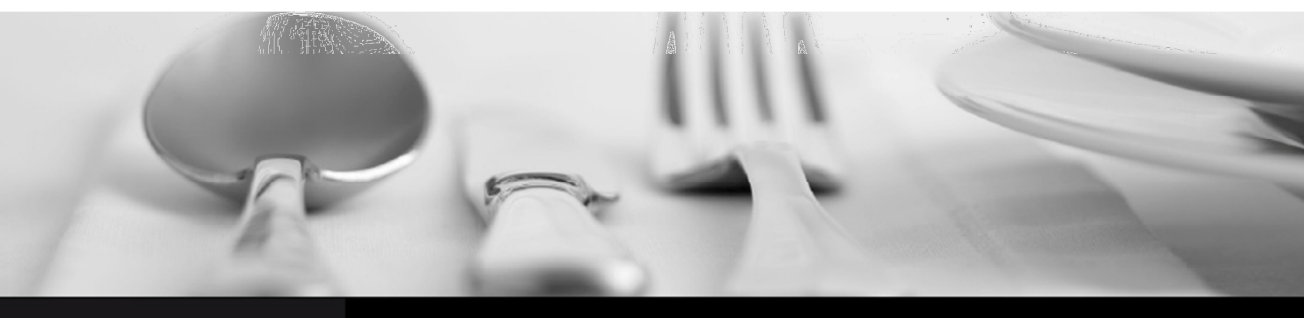


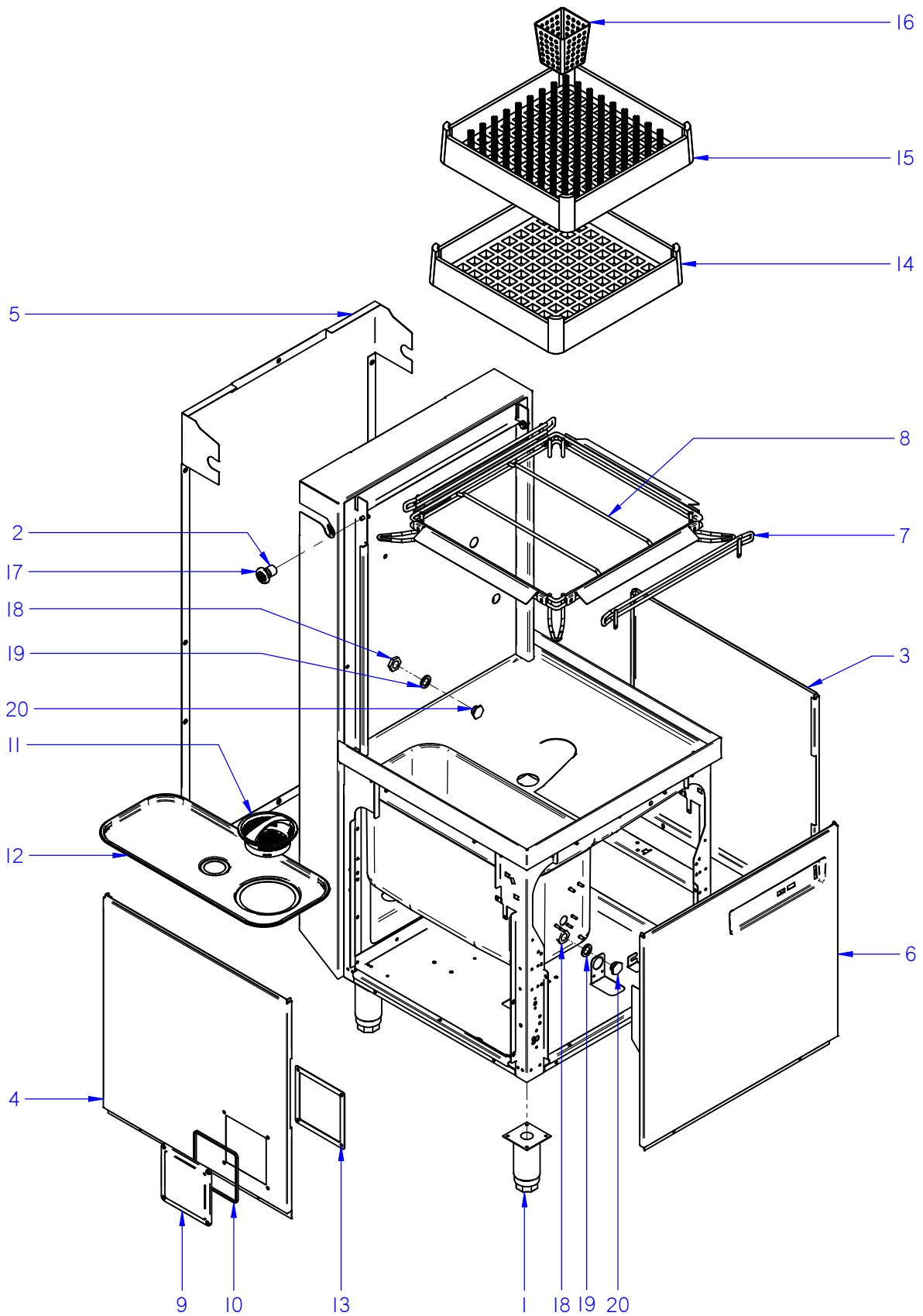
DESPIECE TÉCNICO TECHNICAL PARTS

Lavavajillas
Dishwasher


MODELS
COP-174W / HRS

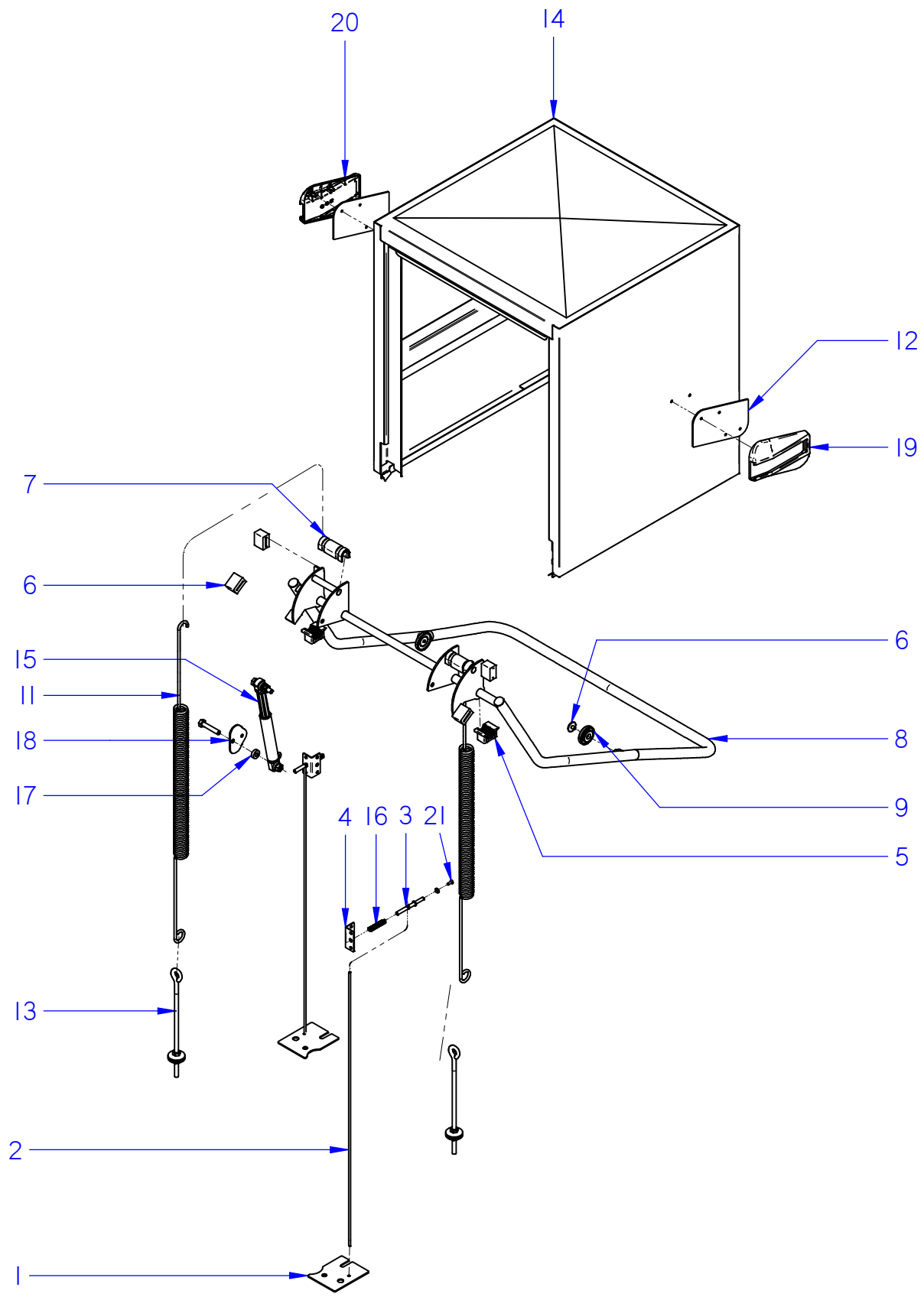
Febrero 2015 February
Revisado Julio 2015 July Revised





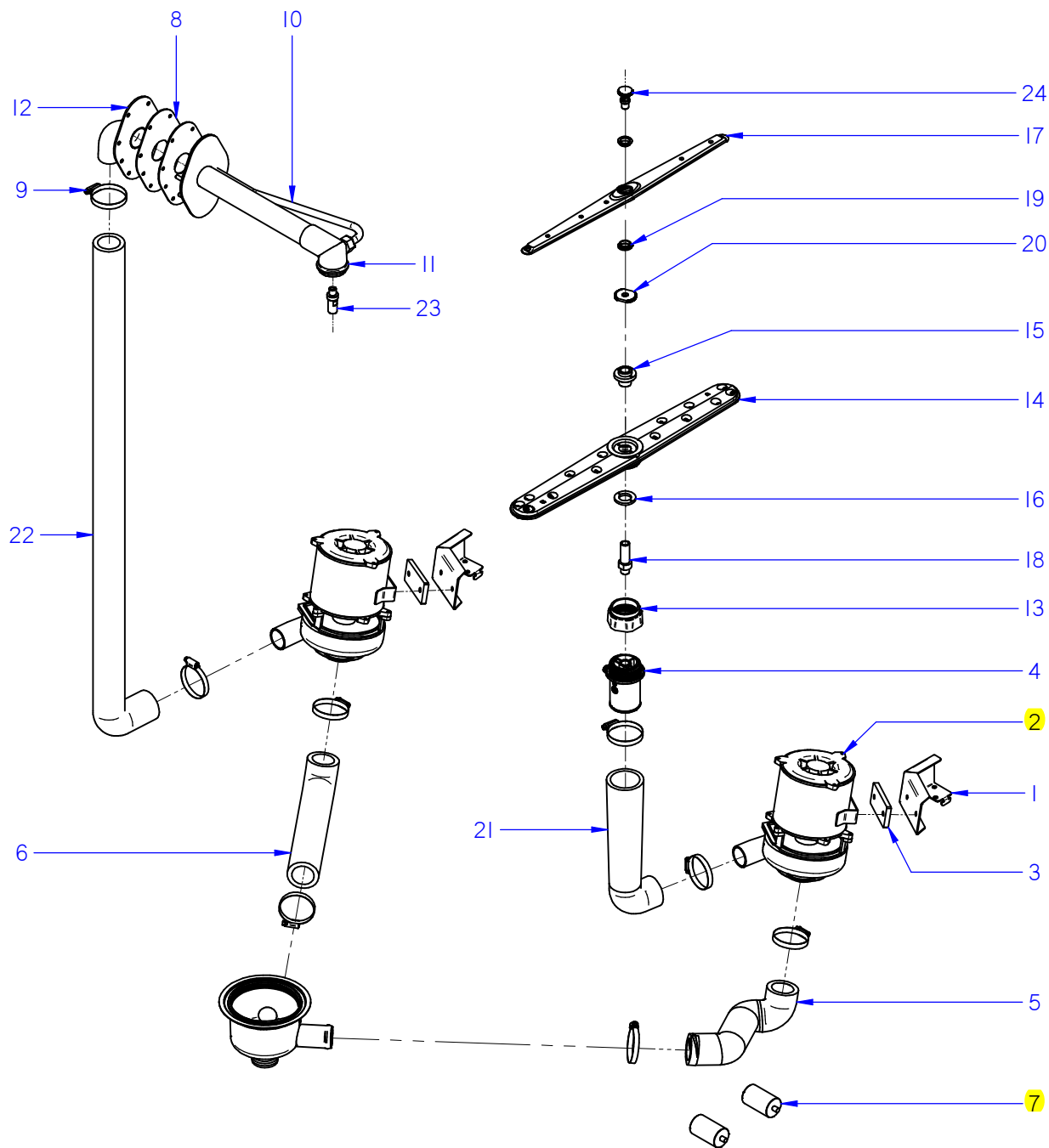
ITEM MARCADO EN COLOR = REPUESTO RECOMENDADO
 COLOURED ITEM = RECOMMENDED SPARE PART

| | | | | | | |
|----------------------|-------------------|--------------|-----------------------|----------------|----------------|---|
| N plano / Drawing N. | Firma / Signature | Fecha / Date | Aparato / Appliance | MUEBLE / FRAME | Lamina / Sheet | Fagor Industrial S.Coop. FAGOR |
| C-3372 | Iban R. | 07-2015 | LAVAVAJILLAS COP-174W | DISHWASHER | 1 |  |
| | | | | | | Oñate |



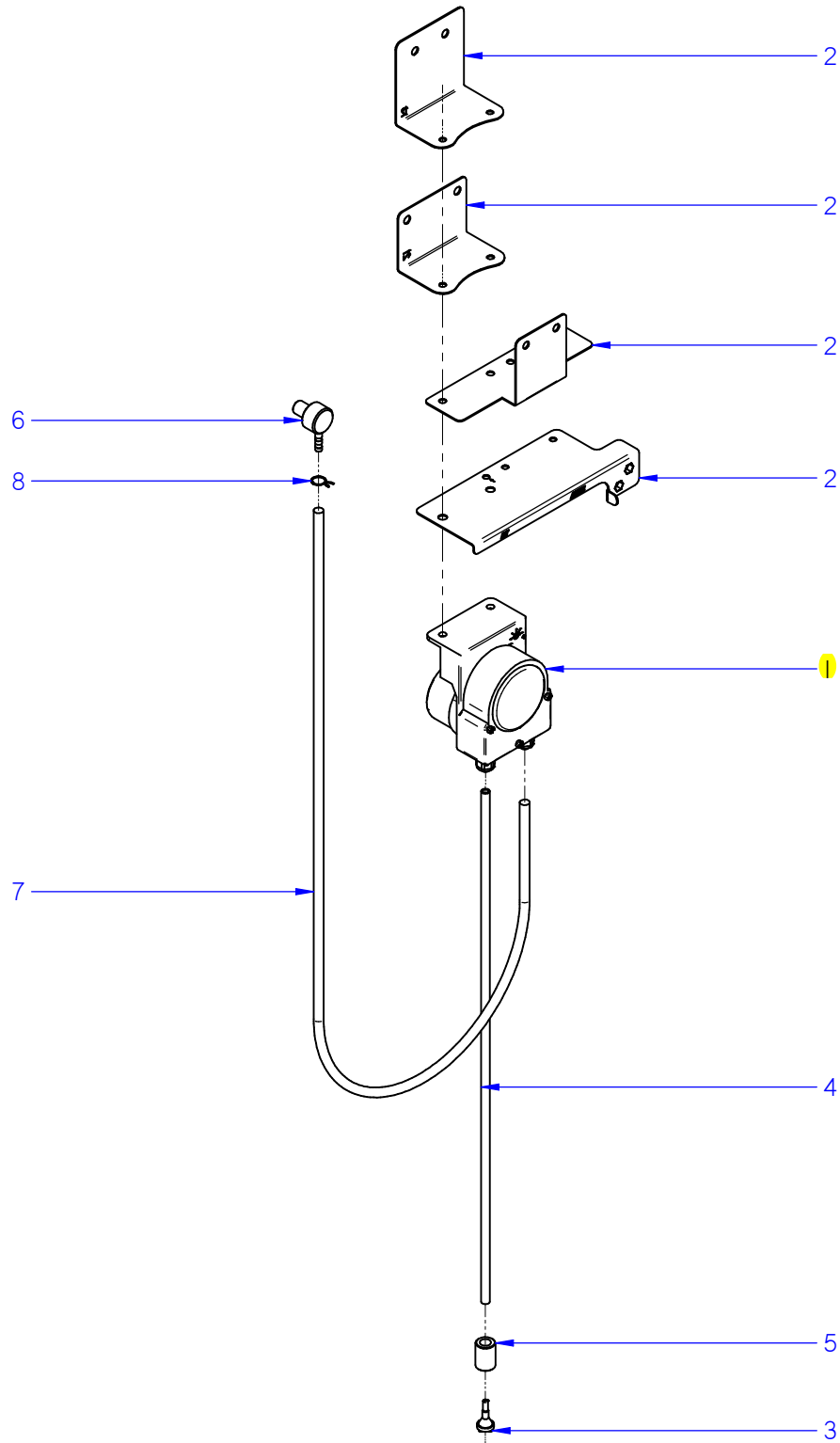
ITEM MARCADO EN COLOR = REPUESTO RECOMENDADO
 COLOURED ITEM = RECOMMENDED SPARE PART

| | | | | | | |
|----------------------|-------------------|--------------|-----------------------|--------------------------|----------------|---------------------------------------|
| N plano / Drawing N. | Firma / Signature | Fecha / Date | Aparato / Appliance | ASA-CAPOTA / HANDLE HOOD | Lamina / Sheet | Fagor Industrial S.Coop. FAGOR |
| C-3373 | Iban R. | 07-2015 | LAVAVAJILLAS COP-174W | DISHWASHER | 2 | Oñate |



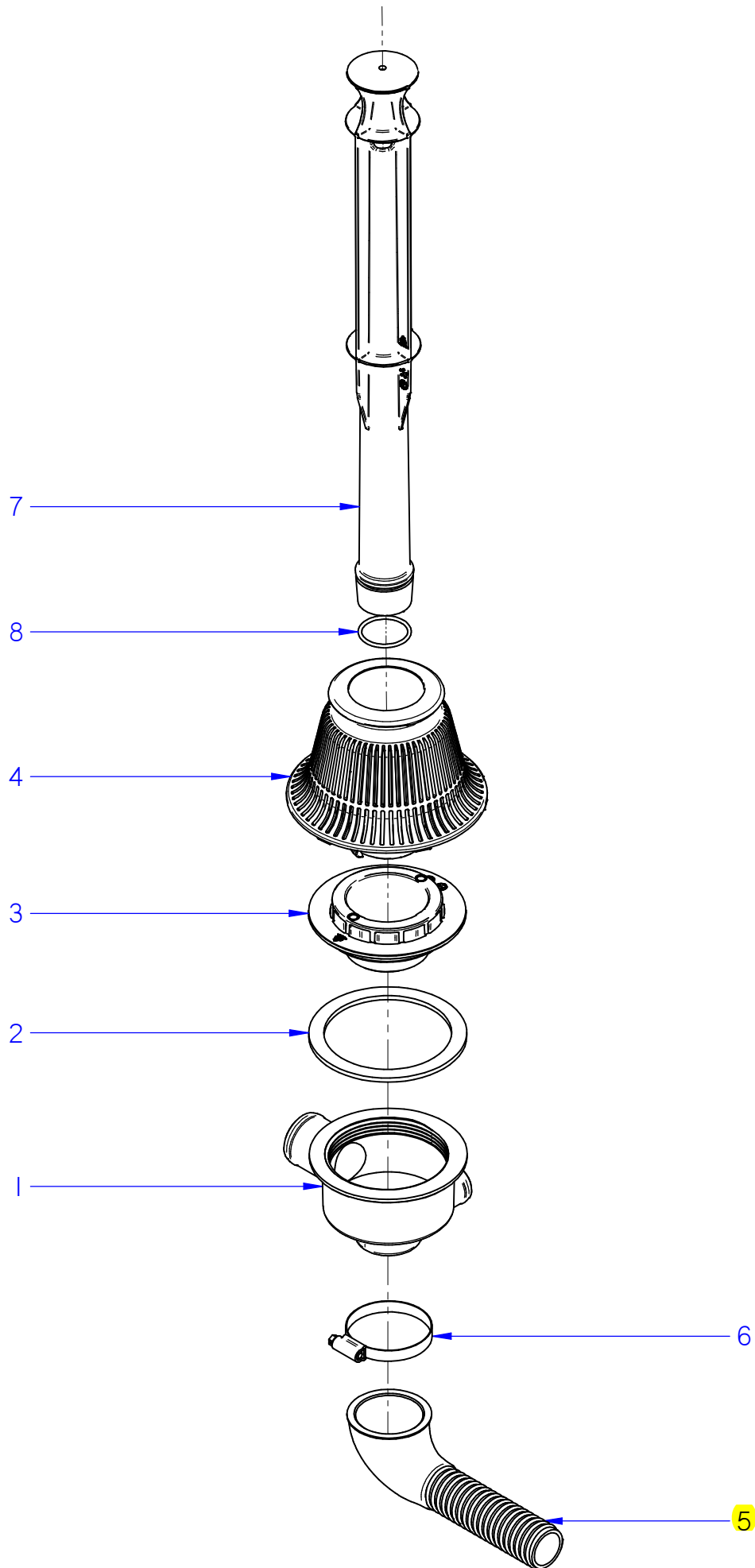
ITEM MARCADO EN COLOR = REPUESTO RECOMENDADO
 COLOURED ITEM = RECOMMENDED SPARE PART

| N plano / Drawing N. | Firma / Signature | Fecha / Date | Aparato / Appliance | PARTE FUNCIONAL LAVADO / WASHING FUNCTIONAL PART | Lamina / Sheet | Fagor Industrial S.Coop. FAGOR |
|----------------------|-------------------|--------------|-----------------------|--|----------------|---------------------------------------|
| C-3374 | Iban R. | 02-2015 | LAVAVAJILLAS COP-174W | DISHWASHER | 3 | Oñate |



ITEM MARCADO EN COLOR = REPUESTO RECOMENDADO
 COLOURED ITEM = RECOMMENDED SPARE PART

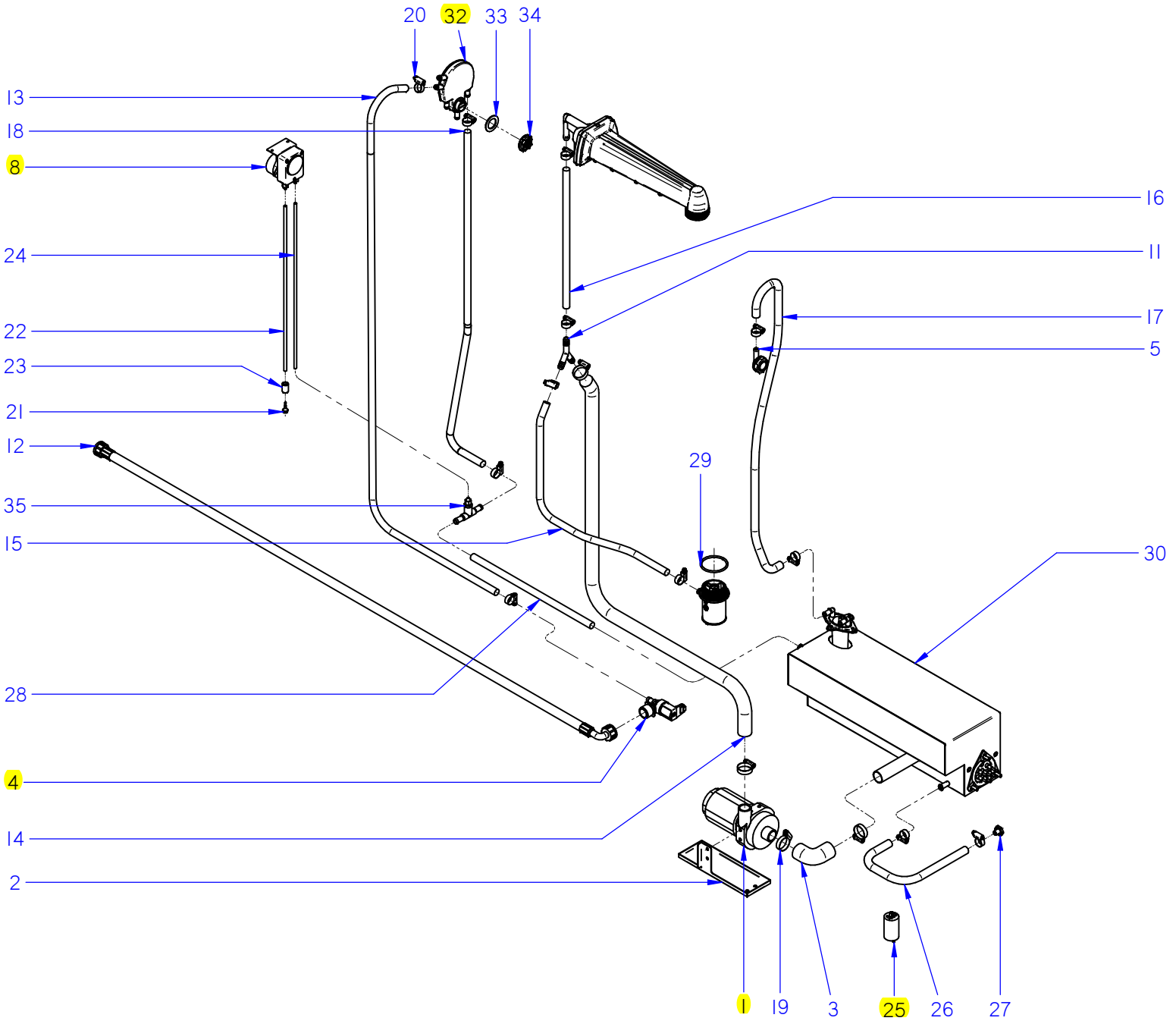
| | | | | | | |
|----------------------|-------------------|--------------|-----------------------|--|----------------|---------------------------------------|
| N plano / Drawing N. | Firma / Signature | Fecha / Date | Aparato / Appliance | KIT DOSIFICADOR DETERGENTE / DETERGENT DISPENSER KIT | Lamina / Sheet | Fagor Industrial S.Coop. FAGOR |
| C-3375 | Iban R. | 02-2015 | LAVAVAJILLAS COP-174W | DISHWASHER | 4 | FAGOR |
| | | | | | | Note |



ITEM MARCADO EN COLOR = REPUESTO RECOMENDADO
 COLOURED ITEM = RECOMMENDED SPARE PART

| | | | | | | |
|----------------------|-------------------|--------------|-----------------------|-------------------------|----------------|---------------------------------------|
| N plano / Drawing N. | Firma / Signature | Fecha / Date | Aparato / Appliance | DESAGÜE / DRAINING PART | Lamina / Sheet | Fagor Industrial S.Coop. FAGOR |
| C-3376 | Iban R. | 02-2015 | LAVAVAJILLAS COP-174W | DISHWASHER | 5 | FAGOR |
| | | | | | | Note |

ITEM MARCADO EN COLOR = REPUESTO RECOMENDADO
 COLOURED ITEM = RECOMMENDED SPARE PART



| | | | | |
|--------------------|---|-------------------------|---------------|--|
| ZONA / ZONE | PARTE FUNCIONAL ACLARADO / FUNCTIONAL RINSE PART | LÁMINA / DRAWING | C-3377 | FAGOR  |
|--------------------|---|-------------------------|---------------|--|

| ITEM | REFERENCIA REFERENCE | DENOMINACIÓN | DENOMINATION | COP-174W | | | | | | | | RECOMMENDED | ELIMINADO ELIMINATED | INTRODUCIDO INTRODUCED | NOTAS / NOTES |
|------|-------------------------|----------------------------------|----------------------------|----------|--|--|--|--|--|--|--|-------------|-------------------------|---------------------------|---------------|
| 1 | 12024233 | BOMBA ACLARADO HANNING | HANNING RINSING PUMP | 1 | | | | | | | | X | | | |
| 2 | 12110537 | SOPORTE BOMBA ACLARADO | RINSING PUMP'S SUPPORT | 1 | | | | | | | | | | | |
| 3 | 12041928 | CONDUCTO CALDERIN-BOMBA | BOILER-PUMP HOSE | 1 | | | | | | | | | | | |
| 4 | 12095427 | E.V SIMPLE 220V SALIDA A 90º | SIMPLE E.V 90º EXIT | 1 | | | | | | | | X | | | |
| 5 | 12097453 | CONDUCTO AIREACION CALDERIN | BOILER VENTILATION ELBOW | 1 | | | | | | | | | | | |
| 8 | 12092198 | DOSIFICADOR ABRILLANTADOR | RINSE DISPENSER | 1 | | | | | | | | X | | | |
| 11 | 12023511 | RACORD EN Y | "Y" SHAPED RACCORD | 1 | | | | | | | | | | | |
| 12 | 12024115 | MANGUERA ENTRADA AGUA | WATER SUPPLY HOSE | 1 | | | | | | | | | | | |
| 13 | 12114353 | TUBO WRAS | WRAS PIPE | 1 | | | | | | | | | | | |
| 14 | 12046080 | COND. IMPULSION ACLARADO | RINSING EXPULSION PIPE | 1 | | | | | | | | | | | |
| 15 | 11000083 | TUBO GOMA NEGRA D 17x10 | D 17x10 BLACK RUBBER PIPE | 1 | | | | | | | | | | | |
| 16 | 11000083 | TUBO GOMA NEGRA D 17x10 | D 17x10 BLACK RUBBER PIPE | 1 | | | | | | | | | | | |
| 17 | 11000083 | TUBO GOMA NEGRA D 17x10 | D 17x10 BLACK RUBBER PIPE | 1 | | | | | | | | | | | |
| 18 | 12114353 | TUBO WRAS | WRAS PIPE | 1 | | | | | | | | | | | |
| 19 | 12010023 | ABRAZADERA 20-32 | 20-32 CLAMP | 4 | | | | | | | | | | | |
| 20 | 12010036 | ABRAZADERA 12-20 | 12-20 CLAMP | 14 | | | | | | | | | | | |
| 21 | 12011355 | FILTRO ASPIRACION | SUCTION FILTER | 1 | | | | | | | | | | | |
| 22 | 12024139 | CONDUCTO ASPIRACIÓN AZKOY | AZKOY SUCTION PIPE | 1 | | | | | | | | | | | |
| 23 | 12024353 | PESO FILTRO | FILTER WEIGHT | 1 | | | | | | | | | | | |
| 24 | 11000079 | CONDUCTO DOSIF. TRANSP 6X4 | DISPENSER TRANSPARENT PIPE | 1 | | | | | | | | | | | |
| 25 | 12023600 | CONDENSADOR 5 µF | 5 µf CONDENSER | 1 | | | | | | | | X | | | |
| 26 | 11000083 | TUBO GOMA NEGRA D 17x10 | BLACK RUBBER PIPE D 17x10 | 1 | | | | | | | | | | | |
| 27 | 12041528 | TAPON M10x1.5 | M10x1.5 CAP | 1 | | | | | | | | | | | |
| 28 | 11000083 | TUBO GOMA NEGRA D 17x10 | BLACK RUBBER PIPE D 17x10 | 1 | | | | | | | | | | | |
| 29 | 12049052 | JUNTA 53,57x3,53 SOP DISTR. INF. | 53,57x3,53 O-RING | 1 | | | | | | | | | | | |
| 30 | 12091690 | CALDERIN RECTANGULAR | SQUARE BOILER | 1 | | | | | | | | | | | |
| 32 | 12091121 | AIR BREAK | AIR BREAK | 1 | | | | | | | | X | | | |
| 33 | 12091122 | JUNTA AIR BREAK | AIR BREAK'S SEAL | 1 | | | | | | | | | | | |
| 34 | 12104339 | TUERCA AIR BREAK | AIR BREAK'S NUT | 1 | | | | | | | | | | | |
| 35 | 12040714 | RACOR EN T ANTIRRETORNO | T FITTING NON-RETURN | 1 | | | | | | | | | | | |

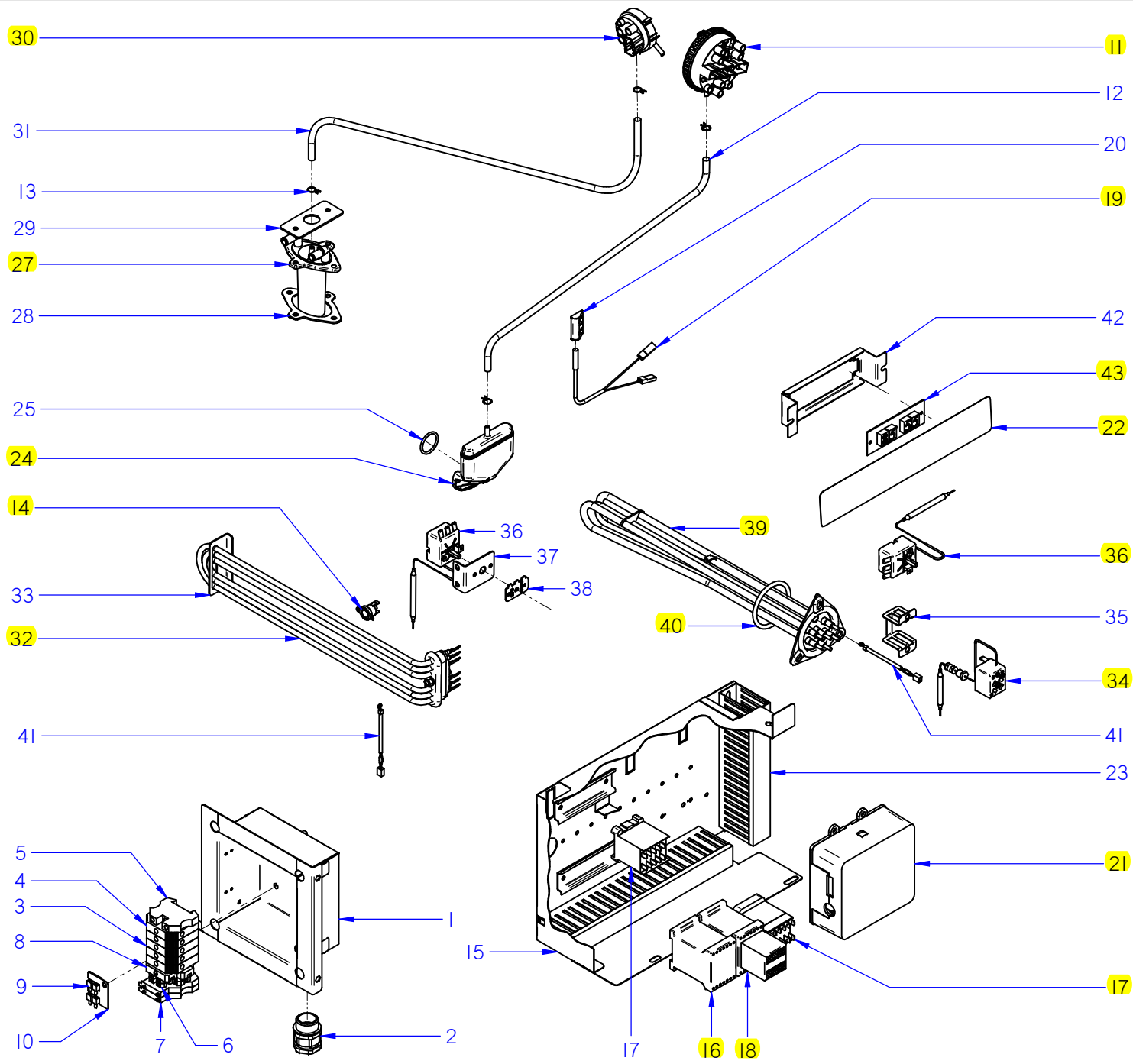
C-3378
Firma /
iban R.

Fecha / Date
03-2015
Aparato / Appliance
LAVAVAJILLAS COP-174W DISHWASHER

Lamina / Sheet
7

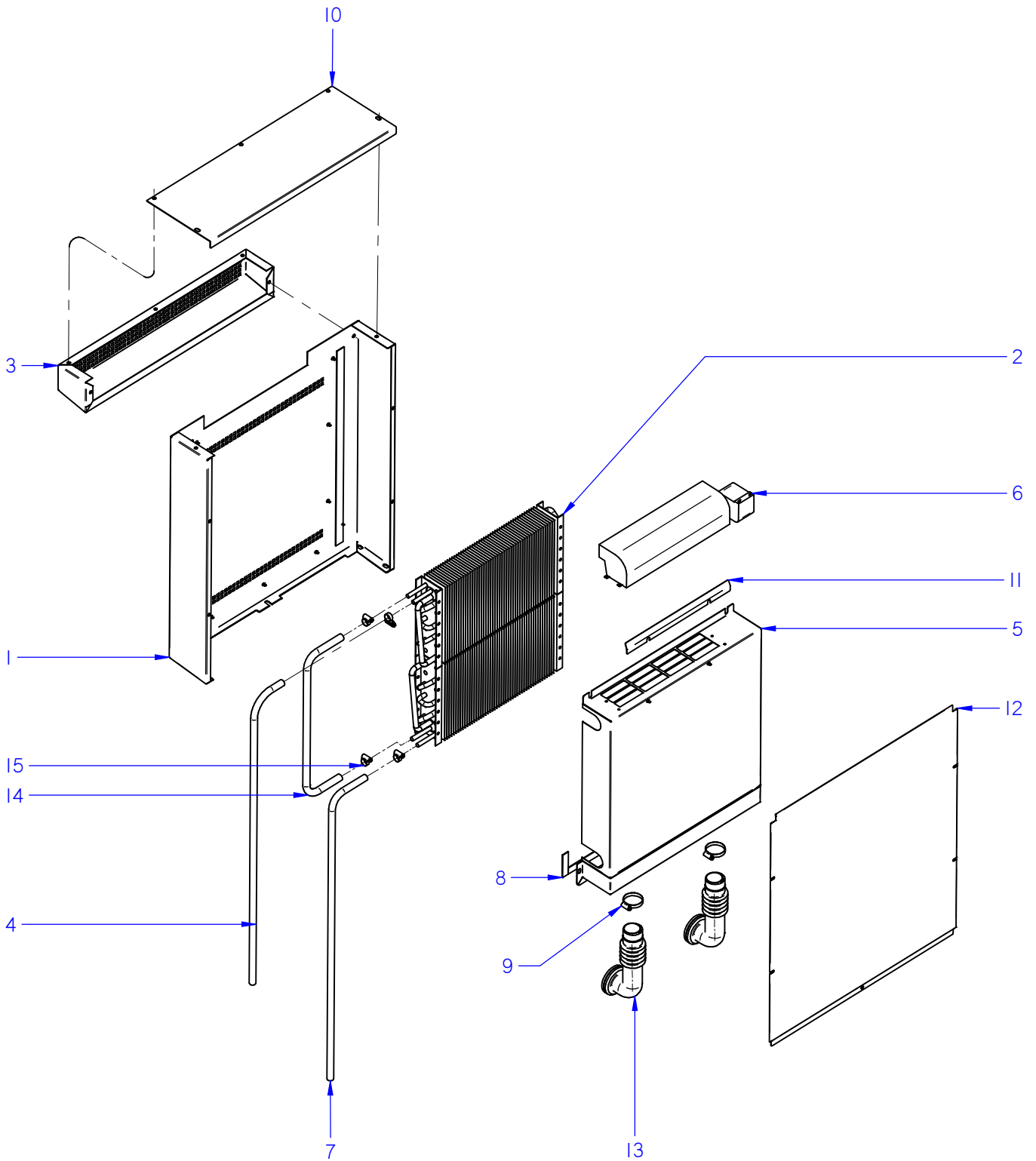
Fagor Industrial S. Coop. **FAGOR**
Oparte

ITEM MARCADO EN COLOR = REPUESTO RECOMENDADO
COLOURED ITEM = RECOMMENDED SPARE PART



| | | | | |
|--------------------|---|-------------------------|---------------|--|
| ZONA / ZONE | CONJUNTO ELECTRICO / ELECTRICAL PART | LÁMINA / DRAWING | C-3378 | FAGOR  |
|--------------------|---|-------------------------|---------------|--|

| ITEM | REFERENCIA REFERENCE | DENOMINACIÓN | DENOMINATION | COP-174W | | | | | | | RECOMMENDED | ELIMINADO ELIMINATED | INTRODUCIDO INTRODUCED | NOTAS / NOTES |
|-------------|---------------------------------|---------------------------------|----------------------------------|-----------------|--|--|--|--|--|--|--------------------|---------------------------------|-----------------------------------|----------------------|
| 1 | 12120601 | BASE CAJA CONEXIONES | CONNECTIONS BOX BASE | 1 | | | | | | | | | | |
| 2 | 12009927 | PRENSA ESTOPAS PG-21 | PG-21 CABLE GLAND | 1 | | | | | | | | | | |
| 3 | 12023373 | BORNES 10 WDU-10203.O | 10 WDU-10203.O TERMINAL | 3 | | | | | | | | | | |
| 4 | 12025224 | BORNA DE PASO AZUL | BLUE TERMINAL | 2 | | | | | | | | | | |
| 5 | 12024743 | BORNE TIER 10 WPE-10103.O | EARTH TERMINAL | 1 | | | | | | | | | | |
| 6 | 12025180 | REGLETA BORNAJE 2 PISOS | 2 LEVEL CONNECTION STRIP | 2 | | | | | | | | | | |
| 7 | 12025158 | BORNAS PORTA FUSIBLES | FUSE HOLDER TERMINALS | 2 | | | | | | | | | | |
| 8 | 12024199 | TOPE FINAL | FINAL LIMIT | 1 | | | | | | | | | | |
| 9 | 12103361 | CONECTOR 2 VIAS 10mm 57A | 2 WAY CONNECTOR 57A | 3 | | | | | | | | | | |
| 10 | 12103535 | SOP. CONECTORES 2 VIAS | 2 WAY CONNECTOR'S SUPP. | 1 | | | | | | | | | | |
| 11 | 12093675 | PRESOSTAT. DOBLE 125/20-190/165 | 125/20-190/165 PRESSURE SWITCH | 1 | | | | | | | X | | | |
| 12 | 11000066 | TUBO GOMA NEGRO D 8x4 | D 8x4 BLACK RUBBER PIPE | 1 | | | | | | | | | | |
| 13 | 12023707 | BRIDA ELASTICA TUBO | ELASTIC CLAMP FOR PIPES | 2 | | | | | | | | | | |
| 14 | 12096597 | TERM. SEG. 261B 110°C FAST 90 | SEC. THERM. 261B 110°C FAST 90 | 1 | | | | | | | X | | | |
| 15 | 12047752 | BASE CUADRO ELECTRICO | ELECTRIAL PANEL'S BASE | 1 | | | | | | | | | | |
| 16 | 12024040 | CONTACTOR 230V 4VIAS UL | 230V 4WAY UL CONTACTOR | 2 | | | | | | | X | | | |
| 17 | 12024011 | CONTACTOR 16A 4VIA UL | 16A 4VIA CONTACTOR UL | 2 | | | | | | | X | | | |
| 18 | 12123408 | KIT CONTACTOR AUXILIAR 400V UL | KIT AUXILIARY CONTACTOR 400V UL | 1 | | | | | | | X | | | |
| 19 | 12024477 | INTERRUPTOR MAGNETICO | MAGNETIC SWITCH | 1 | | | | | | | X | | | |
| 20 | 12024066 | AMARRE INTERRUP. MAGNETICO | MAGNETIC SWITCH'S SUPPORT | 1 | | | | | | | | | | |
| 21 | 12008750 | CONTROL TARJETA 5 REL. AC 50/60 | 5 REL. AC 50/60 CONTROL CARD | 1 | | | | | | | X | | | |
| 22 | 12119192 | EMBELLECEDOR CO-174W | CO-174W STICKER | 1 | | | | | | | X | | | |
| 23 | 11000162 | CANALETA 60.30.77 | 60.30.77 CABLE CONDUIT | 3 | | | | | | | | | | |
| 24 | 12093146 | CAMPANA TANQUE | TUB'S PRESSURE CHAMBER | 1 | | | | | | | X | | | |
| 25 | 12093145 | JUNTA TORICA CAMPANA | PRESSURE CHAMBER'S O-RING | 1 | | | | | | | | | | |
| 27 | 12091478 | CAMPANA CALDERIN | BOILER'S PRESSURE CHAMBER | 1 | | | | | | | X | | | |
| 28 | 12118822 | JUNTA CAMPANA CALDERIN | BOILER'S P.CHAMBERS SEAL | 1 | | | | | | | X | | | |
| 29 | 12101852 | CHAPA REFUERZA CAMPANA | P. CHAMBER STRENGTHENER | 1 | | | | | | | | | | |
| 30 | 12048644 | PRESOSTATO SIMPLE 1,40-6,30mbar | 1,40/6,30mbar SIMPLE PRES.SWITCH | 1 | | | | | | | X | | | |
| 31 | 11000066 | TUBO GOMA NEGRO D 8x4 | D 8x4 BLACK RUBBER PIPE | 1 | | | | | | | | | | |
| 32 | 12045886 | RESISTENCIA 4,5KW TRIPLE | TRIPLE RESISTOR 4,5KW | 1 | | | | | | | X | | | |
| 33 | 12049715 | SOPORTE RESISTENCIA TANQUE | TUB RESOSTOR SUPPORT | 1 | | | | | | | | | | |



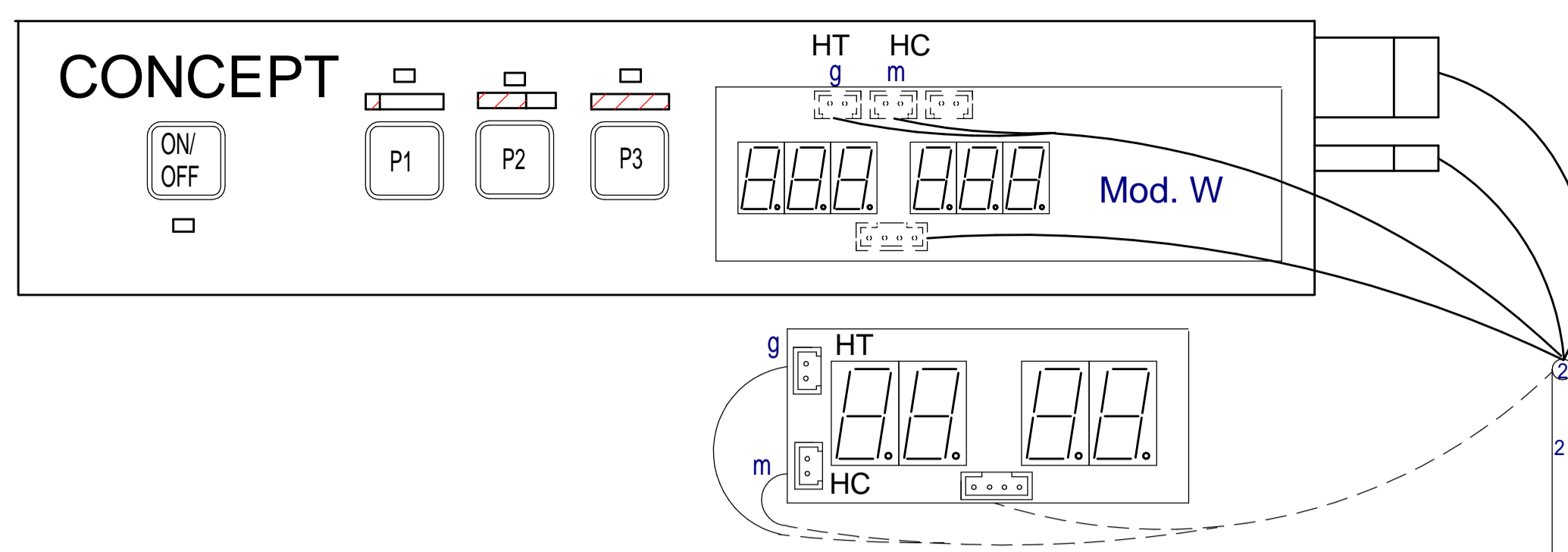
ITEM MARCADO EN COLOR = REPUESTO RECOMENDADO
 COLOURED ITEM = RECOMMENDED SPARE PART

| | | | | | | |
|----------------------|-------------------|--------------|--------------------------------------|------------------------|----------------|---------------------------------------|
| N plano / Drawing N. | Firma / Signature | Fecha / Date | Aparato / Appliance | HEAT RECOVERING SYSTEM | Lamina / Sheet | Fagor Industrial S.Coop. FAGOR |
| C-3379 | Iban R. | 02-2015 | LAVAVAJILLAS COP-174W HRS DISHWASHER | | 8 | Oñate |

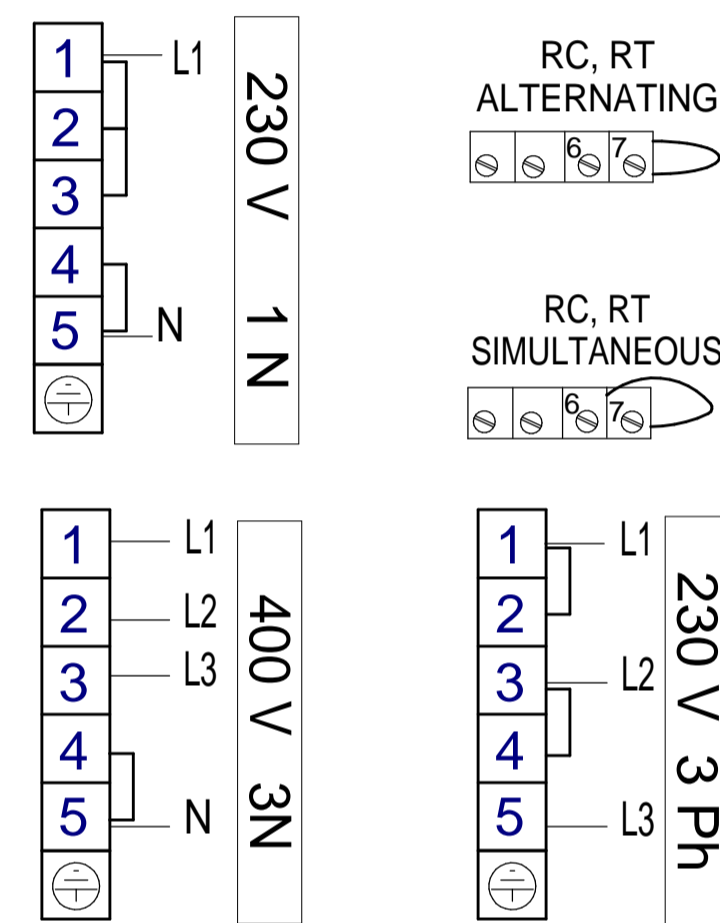
| ZONA / ZONE | RECOMENDADOS / RECOMMENDED | LÁMINA / DRAWING | FAGOR  |
|-------------|----------------------------|------------------|---|
|-------------|----------------------------|------------------|---|

| ITEM | REFERENCIA REFERENCE | DENOMINACIÓN | DENOMINATION | COP-174W | COP-174W HRS | | | | | | | | ELIMINADO ELIMINATED | INTRODUCIDO INTRODUCED | NOTAS / NOTES |
|------|-------------------------|---------------------------------|----------------------------------|----------|-----------------|--|--|--|--|--|--|--|-------------------------|---------------------------|---------------|
| 2 | 12102834 | MOTOBOMBA 590KW 60Hz | WASHIG PUMP 590KW 60Hz | 2 | 2 | | | | | | | | | | C-3374 |
| 7 | 12024376 | CONDENSADOR 10MF | 10MF CONDENSER | 2 | 2 | | | | | | | | | | C-3374 |
| 1 | 12024216 | DOSIF. DGTE REGULABLE G300 | DETERG. REGUL. DISPENSER | 1 | 1 | | | | | | | | | | C-3375 |
| 5 | 12024473 | MANGUERA DESAGÜE | DRAINING PIPE | 1 | 1 | | | | | | | | | | C-3376 |
| 1 | 12024233 | BOMBA ACLARADO HANNING | HANNING RINSING PUMP | 1 | 1 | | | | | | | | | | C-3377 |
| 4 | 12095427 | E.V SIMPLE 220V SALIDA A 90º | SIMPLE E.V 90º EXIT | 1 | 1 | | | | | | | | | | C-3377 |
| 8 | 12092198 | DOSIFICADOR ABRILLANTADOR | RINSE DISPENSER | 1 | 1 | | | | | | | | | | C-3377 |
| 25 | 12023600 | CONDENSADOR 5 µF | 5 µf CONDENSER | 1 | 1 | | | | | | | | | | C-3377 |
| 32 | 12091121 | AIR BREAK | AIR BREAK | 1 | 1 | | | | | | | | | | C-3377 |
| 11 | 12093675 | PRESOSTAT. DOBLE 125/20-190/165 | 125/20-190/165 PRESSURE SWITCH | 1 | 1 | | | | | | | | | | C-3378 |
| 14 | 12096597 | TERM. SEG. 261B 110°C FAST 90 | SEC. THERM. 261B 110°C FAST 90 | 1 | 1 | | | | | | | | | | C-3378 |
| 16 | 12024040 | CONTACTOR 230V 4VIAS UL | 230V 4WAY UL CONTACTOR | 2 | 2 | | | | | | | | | | C-3378 |
| 17 | 12024011 | CONTACTOR 16A 4VIA UL | 16A 4VIA CONTACTOR UL | 2 | 2 | | | | | | | | | | C-3378 |
| 18 | 12123408 | KIT CONTACTOR AUXILIAR 400V UL | KIT AUXILIARY CONTACTOR 400V UL | 1 | 1 | | | | | | | | | | C-3378 |
| 19 | 12024477 | INTERRUPTOR MAGNETICO | MAGNETIC SWITCH | 1 | 1 | | | | | | | | | | C-3378 |
| 21 | 12008750 | CONTROL TARJETA 5 REL. AC 50/60 | 5 REL. AC 50/60 CONTROL CARD | 1 | 1 | | | | | | | | | | C-3378 |
| 22 | 12119192 | EMBELLECEDOR CO-174W | CO-174W STICKER | 1 | 1 | | | | | | | | | | C-3378 |
| 24 | 12093146 | CAMPANA TANQUE | TUB'S PRESSURE CHAMBER | 1 | 1 | | | | | | | | | | C-3378 |
| 27 | 12091478 | CAMPANA CALDERIN | BOILER'S PRESSURE CHAMBER | 1 | 1 | | | | | | | | | | C-3378 |
| 28 | 12118822 | JUNTA CAMPANA CALDERIN | BOILER'S P.CHAMBERS SEAL | 1 | 1 | | | | | | | | | | C-3378 |
| 30 | 12048644 | PRESOSTATO SIMPLE 1,40-6,30mbar | 1,40/6,30mbar SIMPLE PRES.SWITCH | 1 | 1 | | | | | | | | | | C-3378 |
| 32 | 12045886 | RESISTENCIA 4,5KW TRIPLE | TRIPLE RESISTOR 4,5KW | 1 | 1 | | | | | | | | | | C-3378 |
| 34 | 12023830 | LIMITADOR TECASA 125°C | TECASA THERMOSTAT 125°C | 1 | 1 | | | | | | | | | | C-3378 |
| 36 | 12040858 | TERMOSTATO 16A 85°C 6MM | THERMOSTAT 16A 85°C 6MM | 2 | 2 | | | | | | | | | | C-3378 |
| 39 | 12092825 | RESISTENCIA CALDERIN 12KW | BOILER RESISTOR 12KW | 1 | 1 | | | | | | | | | | C-3378 |
| 40 | 12118319 | JUNTA TÓRICA RESIS. CALDERIN | BOILER RESISTOR'S O-RING | 1 | 1 | | | | | | | | | | C-3378 |
| 43 | 12010417 | VISUALIZADOR LEDS 12V DC UL. | LEDS 12V DC UL DISPLAY | 1 | 1 | | | | | | | | | | C-3378 |
| 2 | 12048309 | SERPENTIN C.U. | C.U. COOLING COIL | - | 2 | | | | | | | | | | C-3379 |
| | | | | | | | | | | | | | | | |
| | | | | | | | | | | | | | | | |
| | | | | | | | | | | | | | | | |
| | | | | | | | | | | | | | | | |

| | |
|--------------------------|----------|
| ① | 12120045 |
| ② | 12115668 |
| ② W | 12114419 |
| ④ HRS | 12119239 |
| Prensa estopas | 12009927 |
| Esquema teorico | 12103187 |
| Indicador de componentes | 12022162 |
| Leyenda | 12103338 |

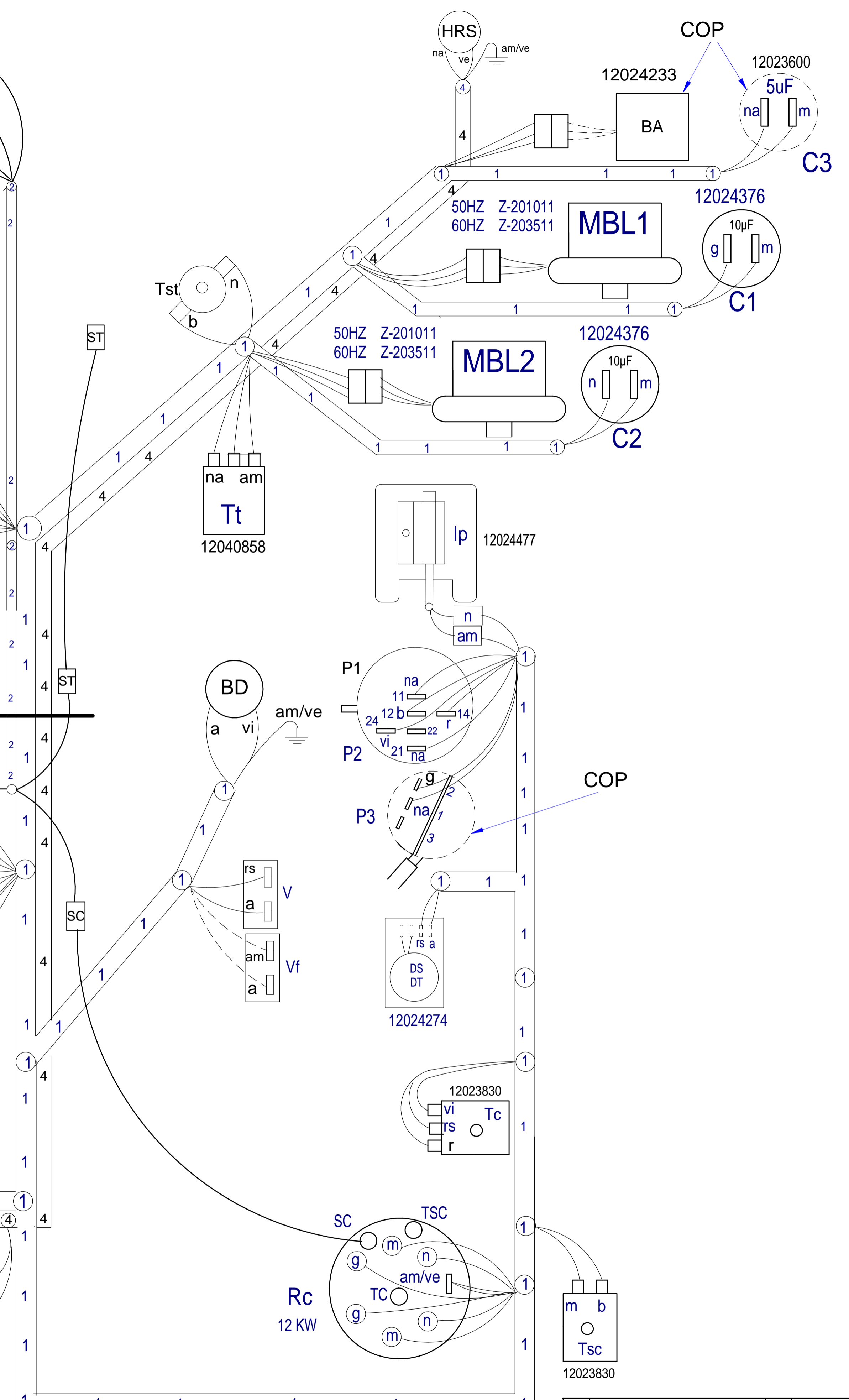
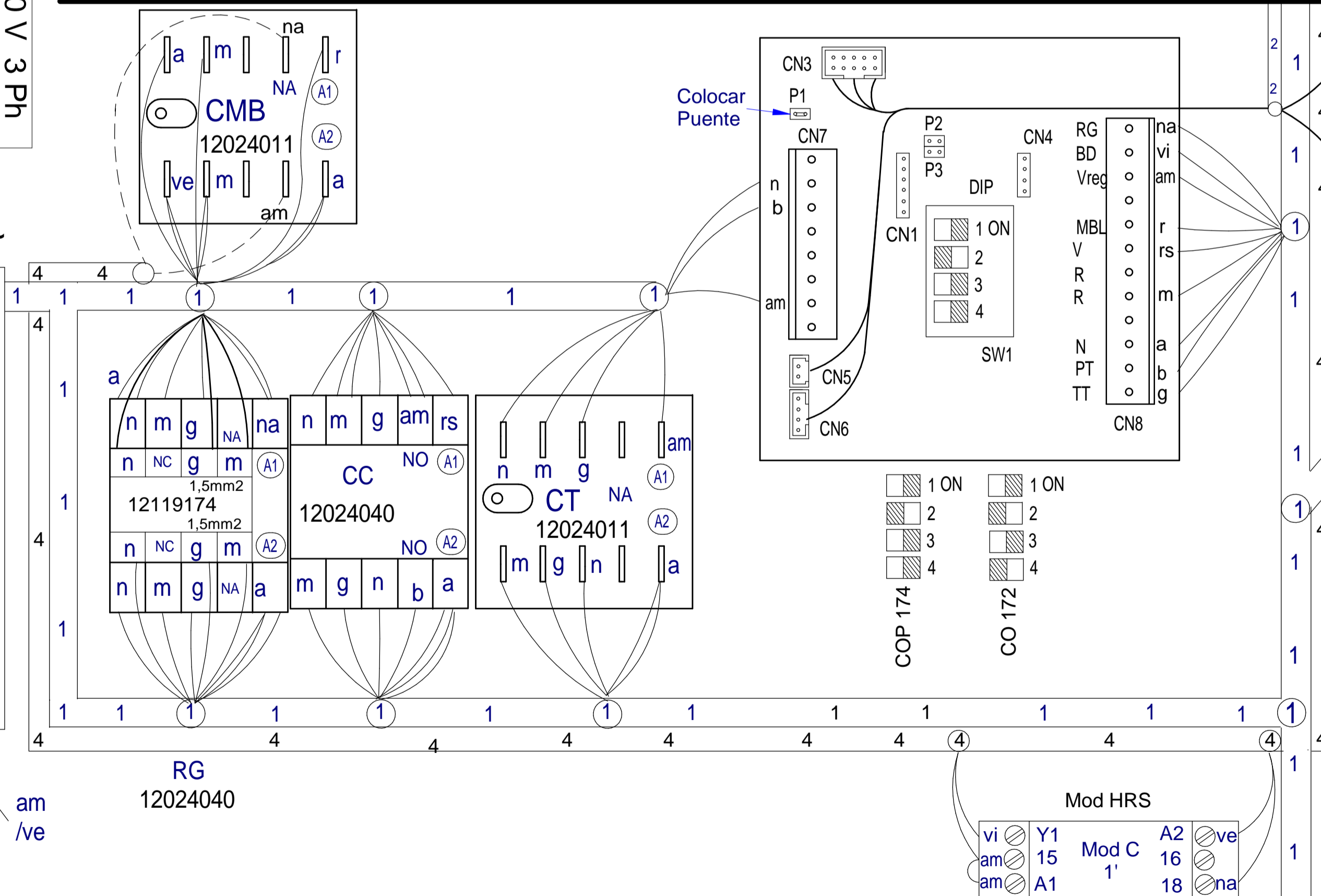
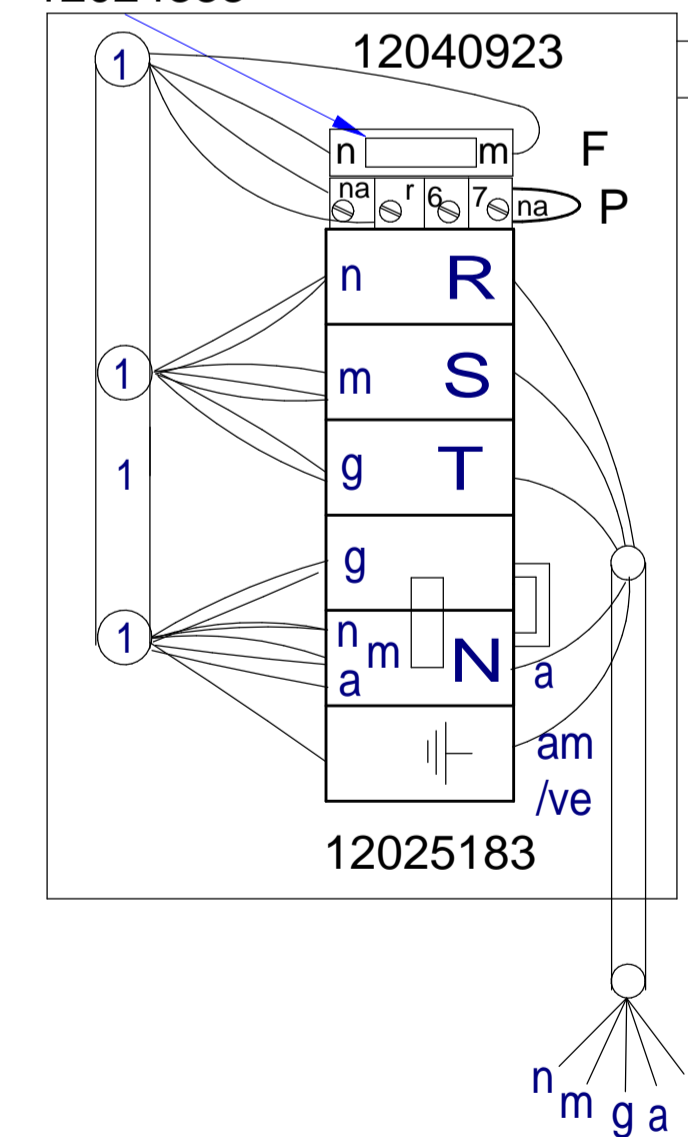


CO 172, COP 174W



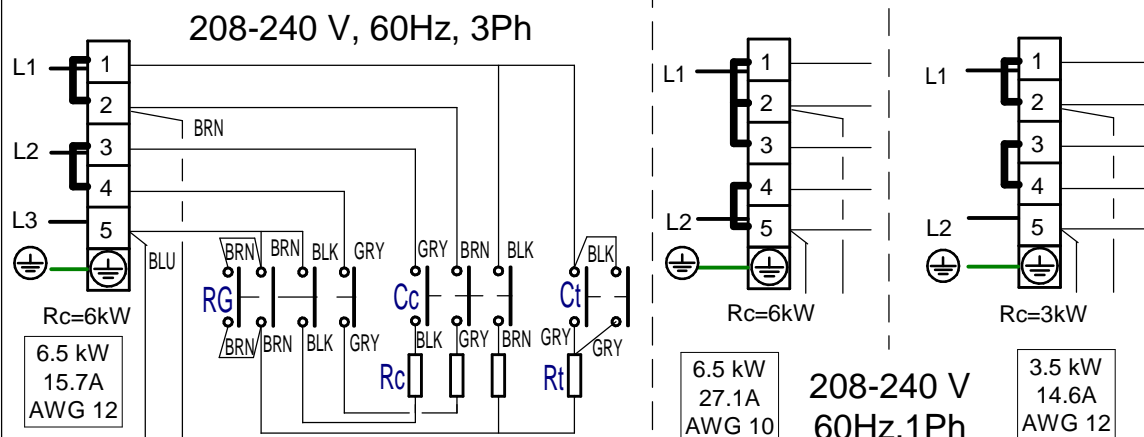
Nota: Todos los cables hembra que queden sin conectar se les colocaran una funda para macho Q-578006

Fusible 4A 400 V - 3N ~
12024333

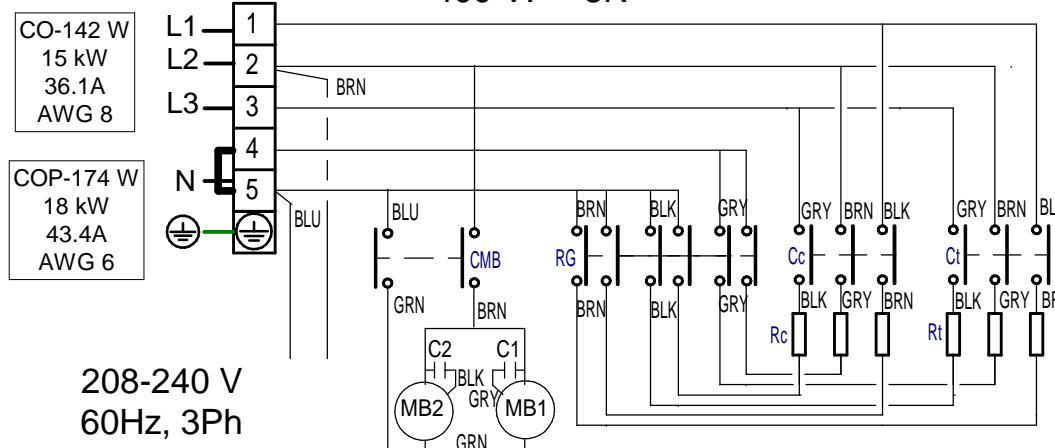


| | | | | | | | | | |
|---------------------|--|--|--|--------------|--|------------------|--|------------------|--|
| Nº | | Plano Montaje CO 172, COP 174W (120 W) | | 12114495 | | MATERIAL | | TREATMENT | |
| GENERAL TOLERANCES: | | ISO 2768-1 | | Very Coarse | | FAGOR INDUSTRIAL | | SHEET FORMAT: A1 | |
| DESIGN CENTER: | | LAVAVAJILLAS | | M.Mello | | A.G. | | ON A | |
| MAT STATUS: | | DESIGNED BY | | VALIDATED BY | | DATE | | SHEET: 1 / 1 | |
| DOC STATUS: | | 12.06.2014 | | SCALE: | | 1:1 | | ISSUE DATE: | |
| 12114495 | | REVISION | | PROPOSED BY: | | ISSUE DATE: | | | |

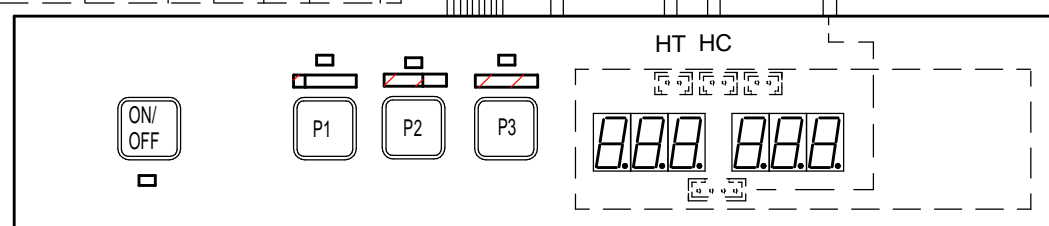
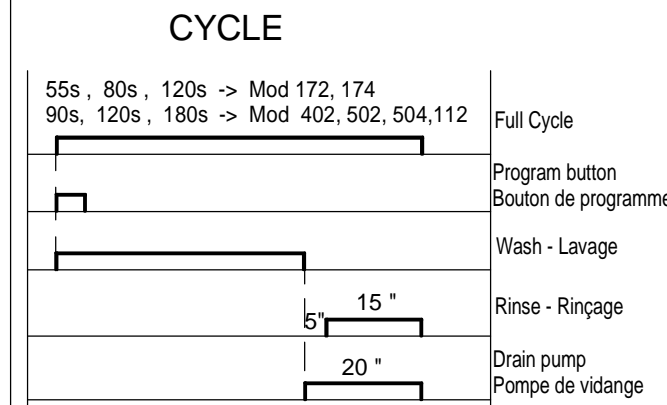
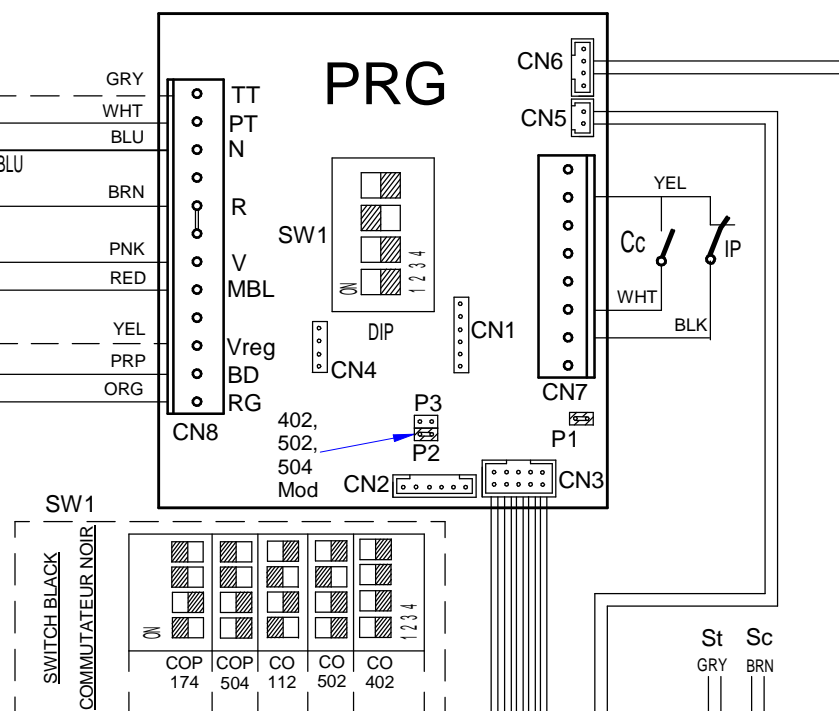
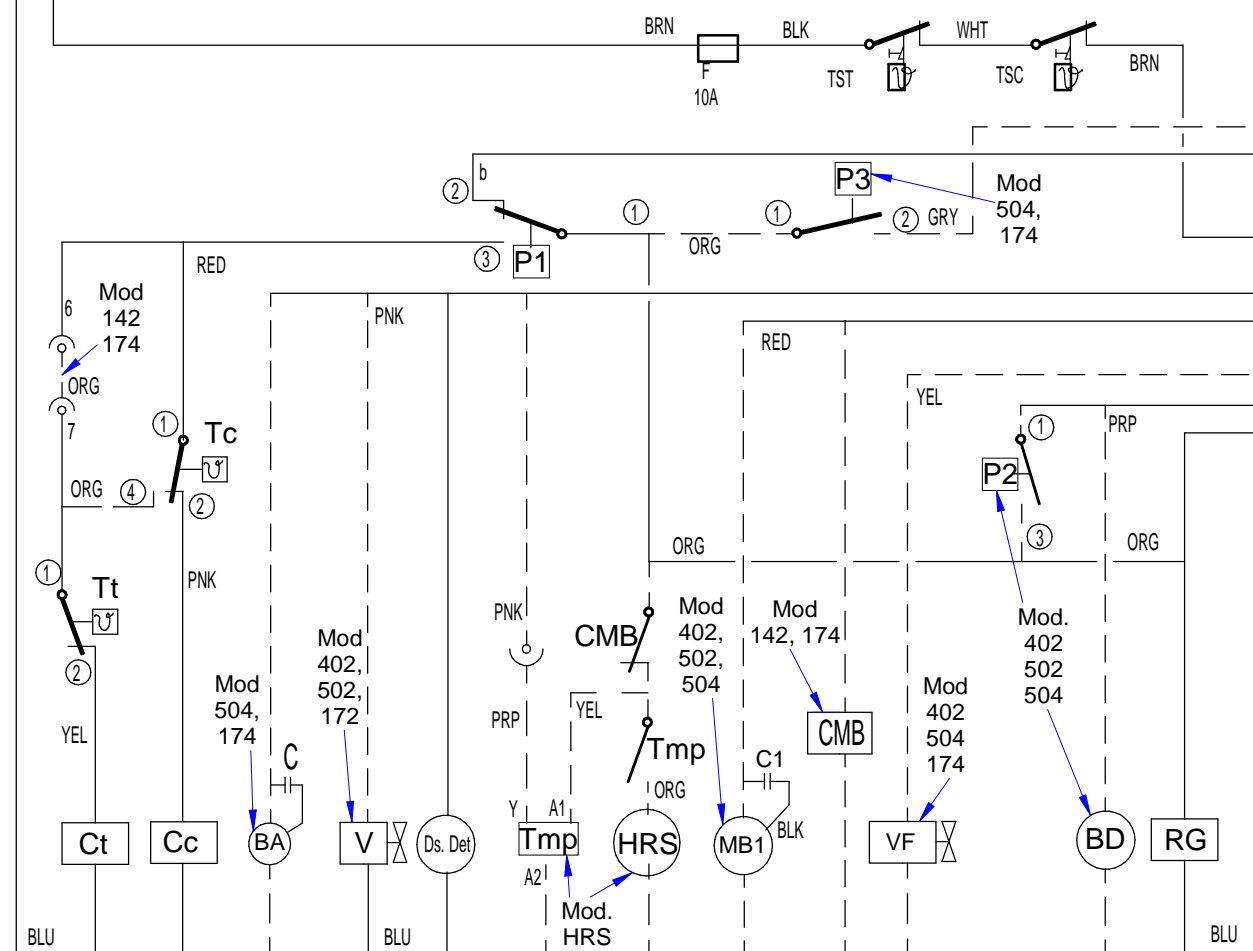
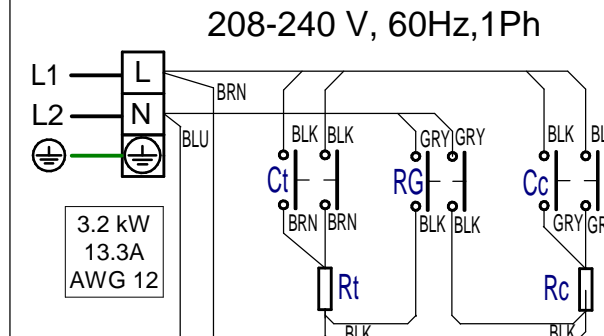
CO-502 W, COP-504 W



CO-142W, COP-174 W



CO-402 W



Ref. 12114451

| Esquema Teorico CO XX2 W, COP XX4 W | | 12114451 | | | | | | | | | | | | | | | | | | | | | | | | | | | | | | | | | | | | | | | | | | | | | | | | | | | | | | | | | | | | | | | | | | | | | | | | | | | | | | | | | |
|--|-------|-----------------------------|-----------|-------------|-----------|-------------|---------|--------|-------------|--------|-------------|------|-------|-------|-------|-------|-------|-----|--------|-----|-----|-------|-------|-------|-------|-------|---------|------|-----|-----|-----|--------|-------|-------|-------|-------|----------|------|------|-----|-----|----------|-------|-------|-------|-------|-----------|------|------|------|-----|-----------|-------|-------|-------|-------|--------|-----|------|------|-----|------------|-------|-------|-------|-------|--|--|--|--|--|-------------|-------|-------|-------|-------|--|--|--|--|--|-----------------------|--|
| Nº | TITLE | QTY | TREATMENT | | | | | | | | | | | | | | | | | | | | | | | | | | | | | | | | | | | | | | | | | | | | | | | | | | | | | | | | | | | | | | | | | | | | | | | | | | | | | | | | |
| GENERAL TOLERANCES: ISO 2768-1 Very Coarse | | SHEET FORMAT: A3 | | | | | | | | | | | | | | | | | | | | | | | | | | | | | | | | | | | | | | | | | | | | | | | | | | | | | | | | | | | | | | | | | | | | | | | | | | | | | | | | | |
| <table border="1"> <tr> <th>LINEAR</th> <th>Fine</th> <th>Medium</th> <th>Coarse</th> <th>Very Coarse</th> <th>ANGULAR</th> <th>Fine</th> <th>Medium</th> <th>Coarse</th> <th>Very Coarse</th> </tr> <tr> <td><3mm</td> <td>±0.05</td> <td>±0.10</td> <td>±0.15</td> <td>±0.20</td> <td><10mm</td> <td>±1°</td> <td>±1°30'</td> <td>±2°</td> <td>±3°</td> </tr> <tr> <td>3-6mm</td> <td>±0.05</td> <td>±0.10</td> <td>±0.15</td> <td>±0.20</td> <td>10-50mm</td> <td>±30'</td> <td>±1°</td> <td>±2°</td> <td>±3°</td> </tr> <tr> <td>6-30mm</td> <td>±0.10</td> <td>±0.20</td> <td>±0.30</td> <td>±0.50</td> <td>50-120mm</td> <td>±20'</td> <td>±30'</td> <td>±1°</td> <td>±1°</td> </tr> <tr> <td>30-120mm</td> <td>±0.15</td> <td>±0.30</td> <td>±0.50</td> <td>±1.00</td> <td>120-400mm</td> <td>±10'</td> <td>±15'</td> <td>±30'</td> <td>±1°</td> </tr> <tr> <td>120-400mm</td> <td>±0.20</td> <td>±0.50</td> <td>±1.00</td> <td>±2.00</td> <td>>400mm</td> <td>±5'</td> <td>±10'</td> <td>±20'</td> <td>±1°</td> </tr> <tr> <td>400-1000mm</td> <td>±0.30</td> <td>±0.80</td> <td>±1.20</td> <td>±3.00</td> <td></td> <td></td> <td></td> <td></td> <td></td> </tr> <tr> <td>1000-2000mm</td> <td>±0.50</td> <td>±1.20</td> <td>±2.00</td> <td>±3.00</td> <td></td> <td></td> <td></td> <td></td> <td></td> </tr> </table> | | LINEAR | Fine | Medium | Coarse | Very Coarse | ANGULAR | Fine | Medium | Coarse | Very Coarse | <3mm | ±0.05 | ±0.10 | ±0.15 | ±0.20 | <10mm | ±1° | ±1°30' | ±2° | ±3° | 3-6mm | ±0.05 | ±0.10 | ±0.15 | ±0.20 | 10-50mm | ±30' | ±1° | ±2° | ±3° | 6-30mm | ±0.10 | ±0.20 | ±0.30 | ±0.50 | 50-120mm | ±20' | ±30' | ±1° | ±1° | 30-120mm | ±0.15 | ±0.30 | ±0.50 | ±1.00 | 120-400mm | ±10' | ±15' | ±30' | ±1° | 120-400mm | ±0.20 | ±0.50 | ±1.00 | ±2.00 | >400mm | ±5' | ±10' | ±20' | ±1° | 400-1000mm | ±0.30 | ±0.80 | ±1.20 | ±3.00 | | | | | | 1000-2000mm | ±0.50 | ±1.20 | ±2.00 | ±3.00 | | | | | | DESIGNED BY: M.Maillo | |
| LINEAR | Fine | Medium | Coarse | Very Coarse | ANGULAR | Fine | Medium | Coarse | Very Coarse | | | | | | | | | | | | | | | | | | | | | | | | | | | | | | | | | | | | | | | | | | | | | | | | | | | | | | | | | | | | | | | | | | | | | | | | | | |
| <3mm | ±0.05 | ±0.10 | ±0.15 | ±0.20 | <10mm | ±1° | ±1°30' | ±2° | ±3° | | | | | | | | | | | | | | | | | | | | | | | | | | | | | | | | | | | | | | | | | | | | | | | | | | | | | | | | | | | | | | | | | | | | | | | | | | |
| 3-6mm | ±0.05 | ±0.10 | ±0.15 | ±0.20 | 10-50mm | ±30' | ±1° | ±2° | ±3° | | | | | | | | | | | | | | | | | | | | | | | | | | | | | | | | | | | | | | | | | | | | | | | | | | | | | | | | | | | | | | | | | | | | | | | | | | |
| 6-30mm | ±0.10 | ±0.20 | ±0.30 | ±0.50 | 50-120mm | ±20' | ±30' | ±1° | ±1° | | | | | | | | | | | | | | | | | | | | | | | | | | | | | | | | | | | | | | | | | | | | | | | | | | | | | | | | | | | | | | | | | | | | | | | | | | |
| 30-120mm | ±0.15 | ±0.30 | ±0.50 | ±1.00 | 120-400mm | ±10' | ±15' | ±30' | ±1° | | | | | | | | | | | | | | | | | | | | | | | | | | | | | | | | | | | | | | | | | | | | | | | | | | | | | | | | | | | | | | | | | | | | | | | | | | |
| 120-400mm | ±0.20 | ±0.50 | ±1.00 | ±2.00 | >400mm | ±5' | ±10' | ±20' | ±1° | | | | | | | | | | | | | | | | | | | | | | | | | | | | | | | | | | | | | | | | | | | | | | | | | | | | | | | | | | | | | | | | | | | | | | | | | | |
| 400-1000mm | ±0.30 | ±0.80 | ±1.20 | ±3.00 | | | | | | | | | | | | | | | | | | | | | | | | | | | | | | | | | | | | | | | | | | | | | | | | | | | | | | | | | | | | | | | | | | | | | | | | | | | | | | | |
| 1000-2000mm | ±0.50 | ±1.20 | ±2.00 | ±3.00 | | | | | | | | | | | | | | | | | | | | | | | | | | | | | | | | | | | | | | | | | | | | | | | | | | | | | | | | | | | | | | | | | | | | | | | | | | | | | | | |
| GENERAL TOLERANCE FOR FORM AND POSITION: ISO 2768-2 | | VALIDATED BY: A.gallastegui | | | | | | | | | | | | | | | | | | | | | | | | | | | | | | | | | | | | | | | | | | | | | | | | | | | | | | | | | | | | | | | | | | | | | | | | | | | | | | | | | |
| LAVAVAJILLAS | | DATE: 11.06.2014 | | | | | | | | | | | | | | | | | | | | | | | | | | | | | | | | | | | | | | | | | | | | | | | | | | | | | | | | | | | | | | | | | | | | | | | | | | | | | | | | | |
| 12114451 | | SHEET: 1 / 1 | | | | | | | | | | | | | | | | | | | | | | | | | | | | | | | | | | | | | | | | | | | | | | | | | | | | | | | | | | | | | | | | | | | | | | | | | | | | | | | | | |
| REVISION | | SCALE: 1:1 | | | | | | | | | | | | | | | | | | | | | | | | | | | | | | | | | | | | | | | | | | | | | | | | | | | | | | | | | | | | | | | | | | | | | | | | | | | | | | | | | |
| PROPOSED BY: - | | ISSUE DATE: - | | | | | | | | | | | | | | | | | | | | | | | | | | | | | | | | | | | | | | | | | | | | | | | | | | | | | | | | | | | | | | | | | | | | | | | | | | | | | | | | | |

