

DESPIECE TÉCNICO TECHNICAL PARTS

Lavavajillas
Dishwasher

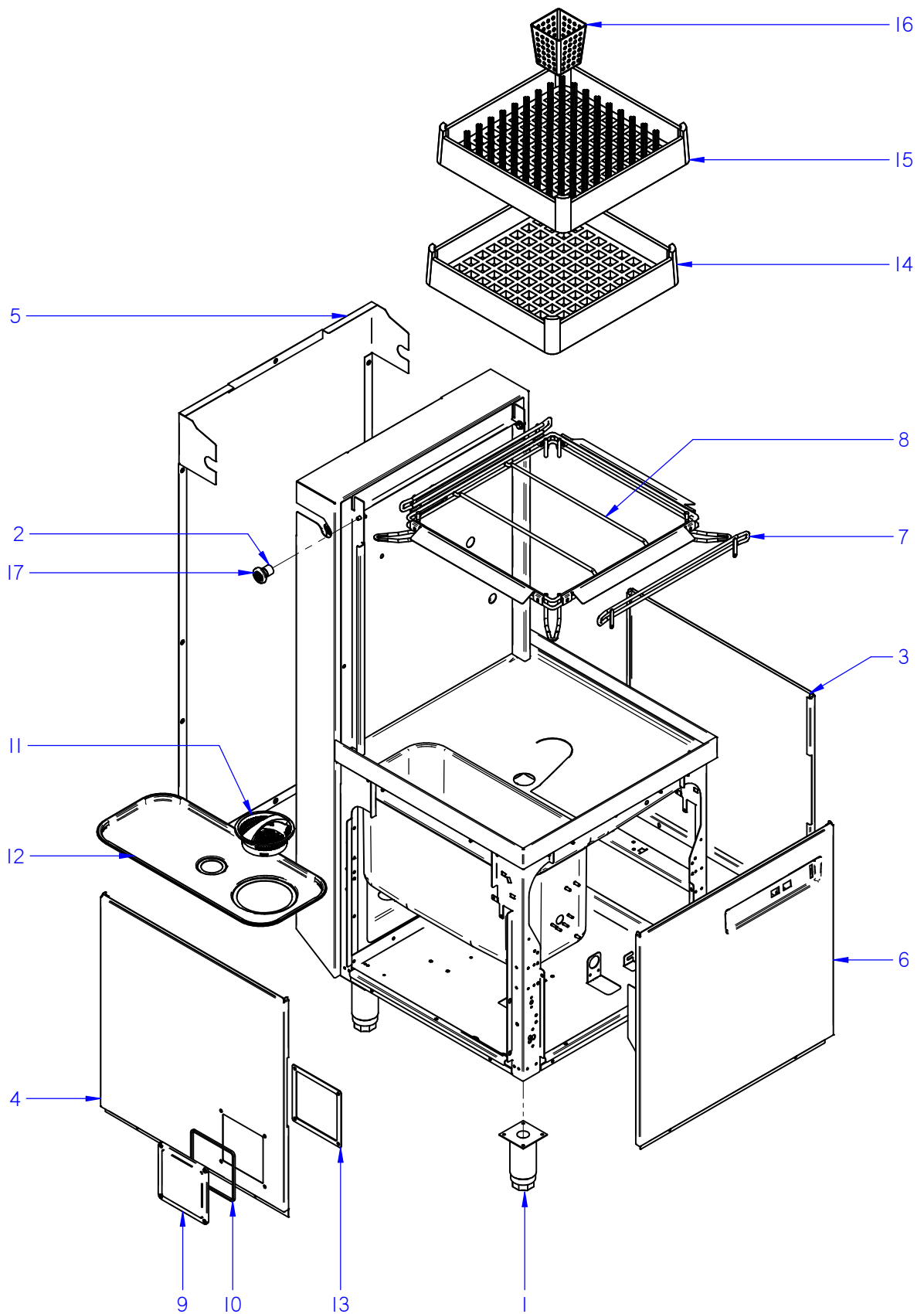
MODELOS

COP-174 DD / B DD / HRS DD

Enero 2015 January

Revisado Julio 2015 July Revised



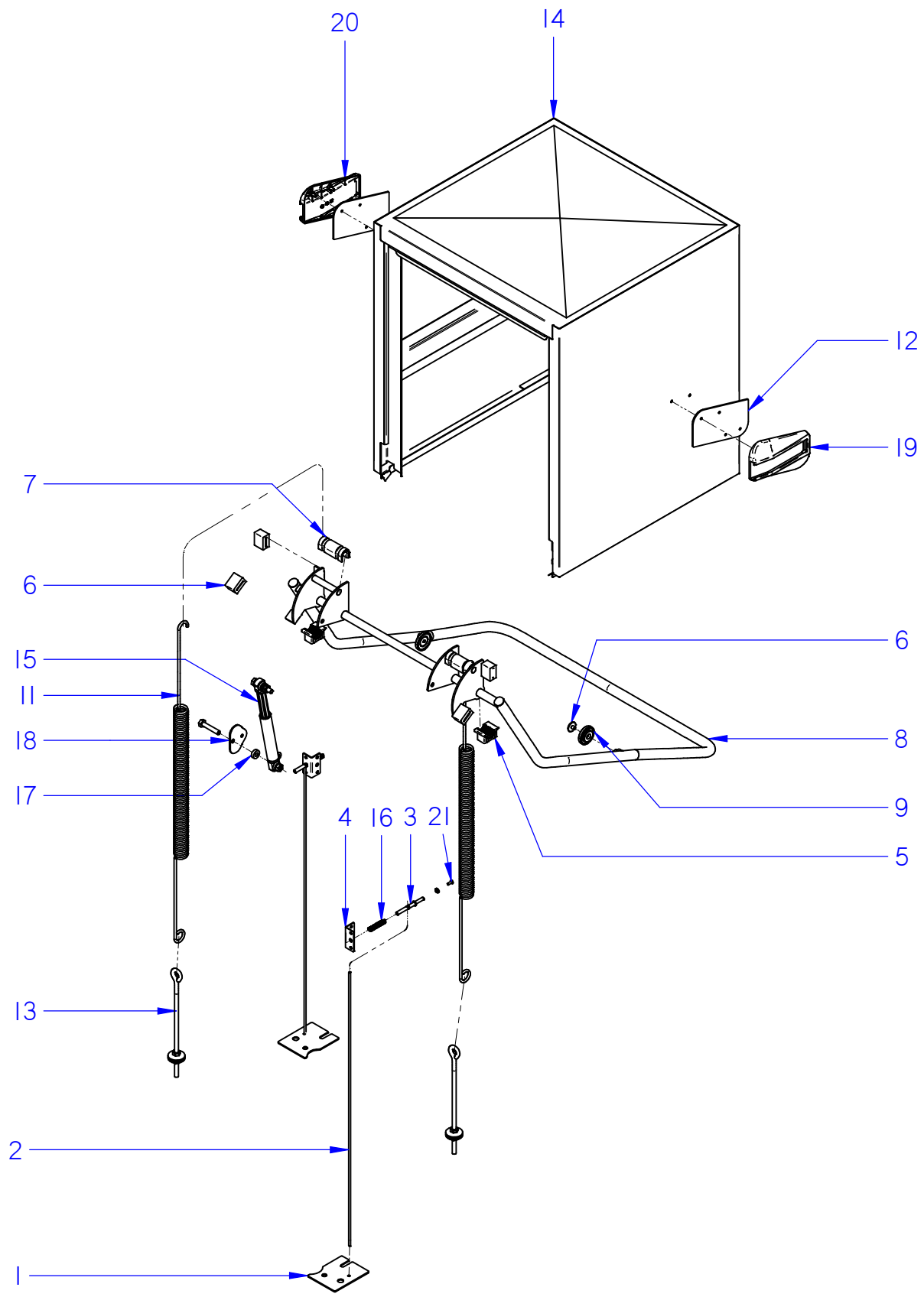


ITEM MARCADO EN COLOR = REPUESTO RECOMENDADO
 COLOURED ITEM = RECOMMENDED SPARE PART

N plano / Drawing N.	Firma / Signature	Fecha / Date	Aparato / Appliance	MUEBLE / FRAME	Lamina / Sheet	Fagor Industrial S.Coop. FAGOR
C-3357	Iban R.	07-2015	LAVAVAJILLAS COP-174 DISHWASHER		1	Oñate

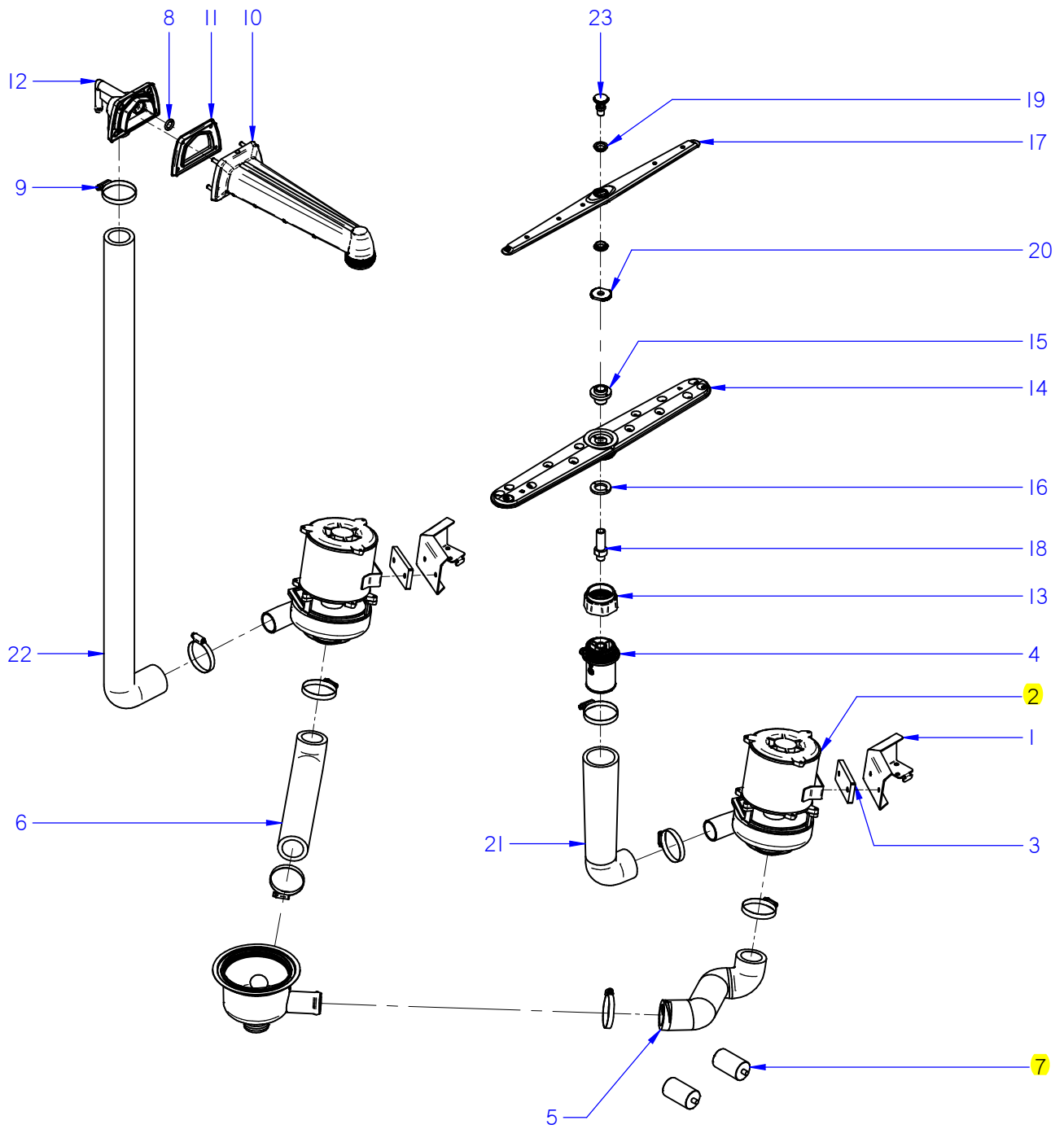
ZONA / ZONE	ARMAZON / FRAME	LÁMINA / DRAWING	C-3357	FAGOR 
-------------	-----------------	------------------	--------	---

ITEM	REFERENCIA REFERENCE	DENOMINACIÓN	DENOMINATION	COP-174	COP-174 HRS						RECOMMENDED	ELIMINADO ELIMINATED	INTRODUCIDO INTRODUCED	NOTAS / NOTES
1	12009104	PATAS REGULABLES	REGULABLE FEET	4	4									
2	12098018	CASQUILLO RODADURA	ROLLING BUSHING	2	2									
3	12120608	PANEL LATERAL DCHO	RIGHT SIDE PANEL	1	1									
4	12120609	PANEL LATERAL IZDO	LEFT SIDE PANEL	1	1									
5	12110635	PANEL POSTERIOR CAPOTA	RARE PANEL	1	-									
5	12111483	PANEL POSTERIOR CAPOTA HRS	RARE PANEL HRS	-	1									
6	12119680	PANEL FRONTAL CONCEPT	CONCEPT FRONT PANEL	1	1									
7	12045900	TOPE BASE CESTILLO COMPLETO	COMPLETE BASKET BASE END	2	2									
8	12045909	BASE CESTILLO VARILLA COMPLETA	COMPLETE WIRE BASKET BASE	1	1									
9	12095220	TAPA CAJA CONEXIONES	CONNECTIONS BOX COVER	1	1									
10	12096947	JUNTA TAPA	COVER'S SEAL	1	1									
11	12048609	CESTILLO RECOGEDOR CONCEPT	CONCEPT DUSTPAN BASKET	1	1									
12	12047947	BANDEJA FILTRO CONCEPT	CONCEPT FILTER TRAY	1	1									
13	12103501	JUNTA EPDM CAJA CONEXIONES	CONNECTION BOX EPDM JOINT	1	1									
14	12025011	CESTILLO BASE CT-10	CT-10 BASE BASKET	1	1									
15	12024990	CESTILLO PLATOS CP-16-18	CP-16-18 PLATES BASKET	1	1									
16	12023745	CESTILLO CUBIERTOS	CUTLERY BASKET	8	8									
17	12047509	RODILLO ELEVACIÓN CAPÓ	HOOD ASCENT ROLLER	2	2									



ITEM MARCADO EN COLOR = REPUESTO RECOMENDADO
 COLOURED ITEM = RECOMMENDED SPARE PART

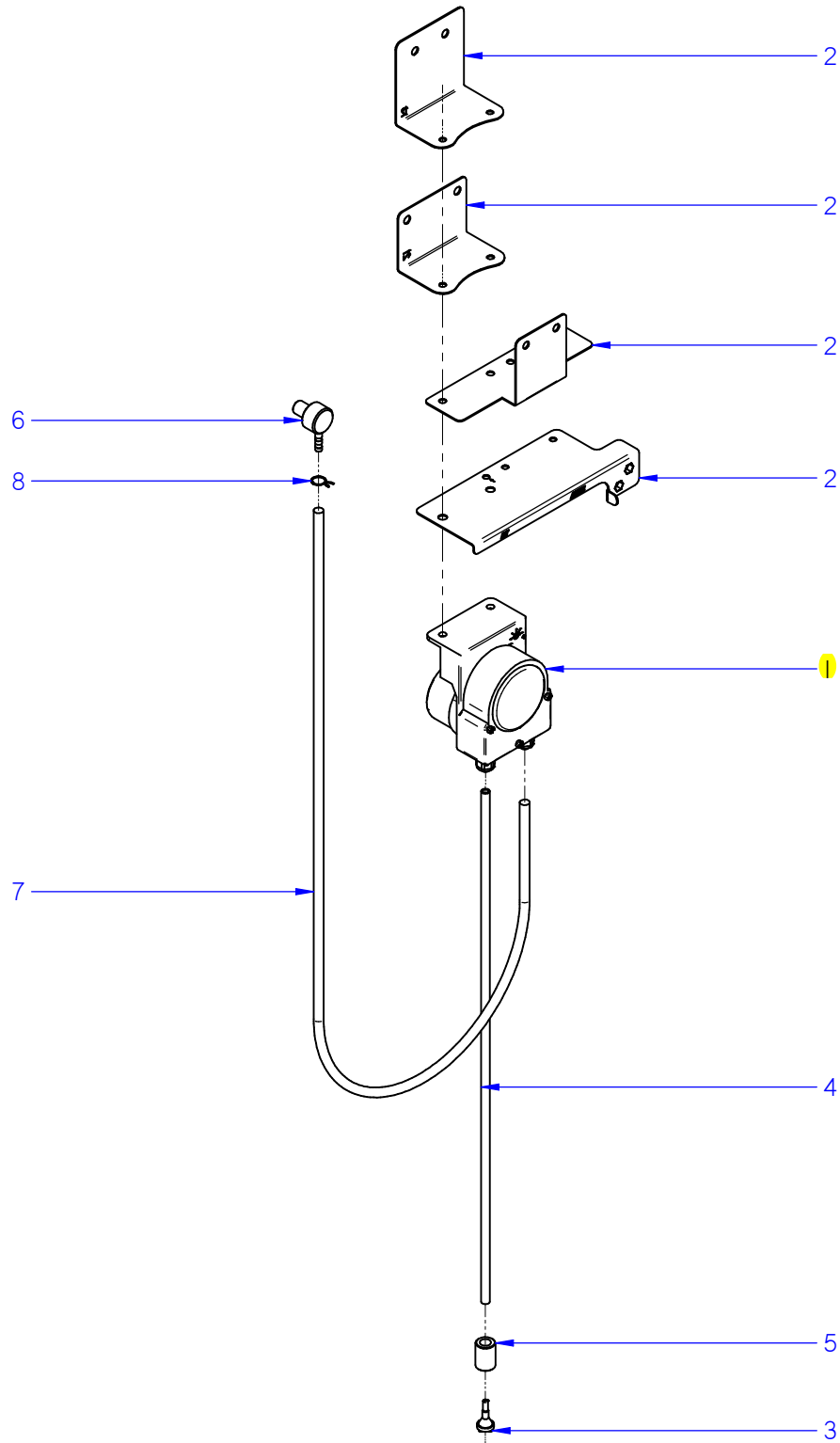
N plano / Drawing N.	Firma / Signature	Fecha / Date	Aparato / Appliance	ASA-CAPOTA / HANDLE HOOD	Lamina / Sheet	Fagor Industrial S.Coop. FAGOR
C-3358	Iban R.	07-2015	LAVAVAJILLAS COP-174	DISHWASHER	2	Oñate



ITEM MARCADO EN COLOR = REPUESTO RECOMENDADO
 COLOURED ITEM = RECOMMENDED SPARE PART

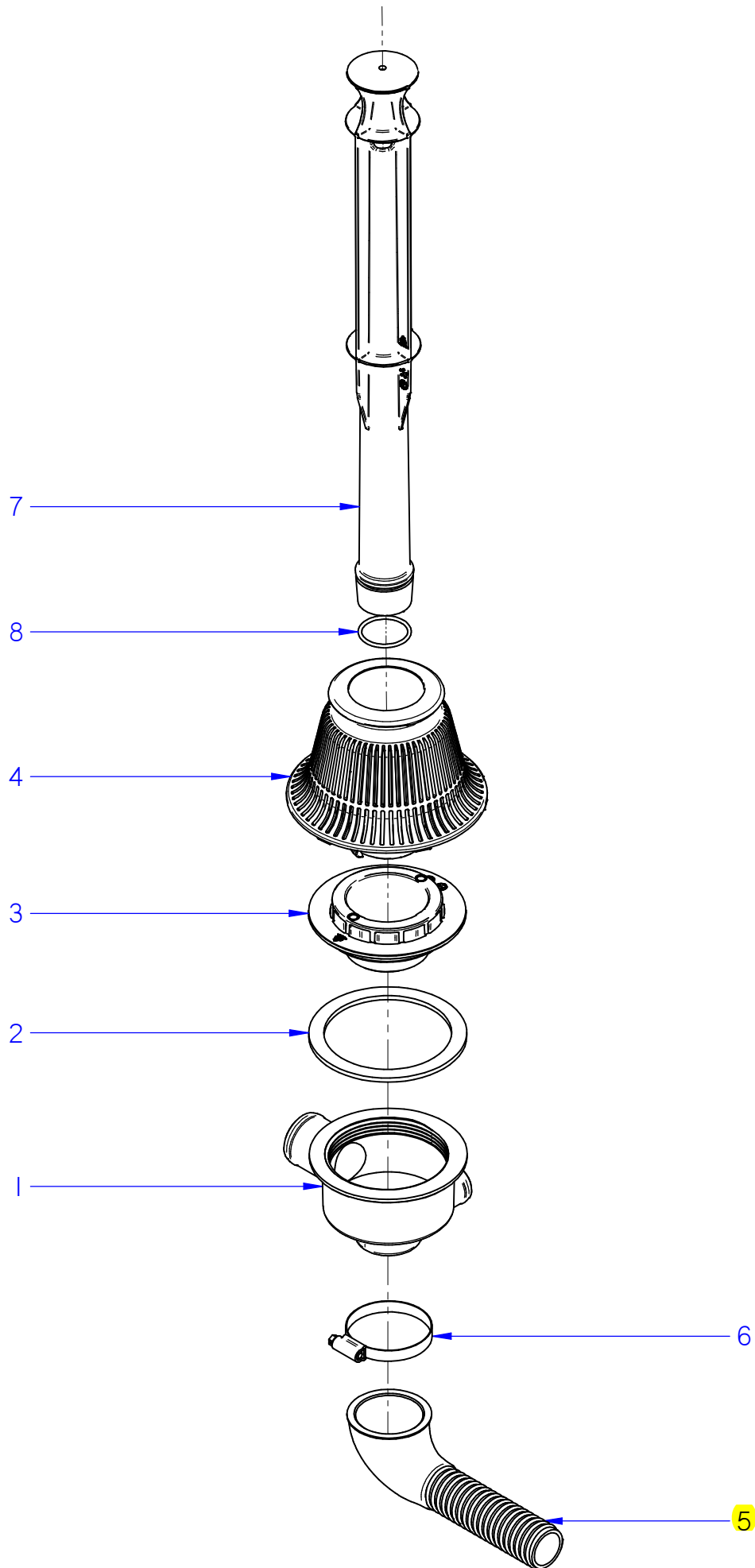
N plano / Drawing N.	Firma / Signature	Fecha / Date	Aparato / Appliance	PARTE FUNCIONAL LAVADO / WASHING FUNCTIONAL PART	Lamina / Sheet	Fagor Industrial S.Coop. FAGOR
C-3359	Iban R.	01-2015	LAVAVAJILLAS	COP-174 DISHWASHER	3	Oñate

ITEM	REFERENCIA REFERENCE	DENOMINACIÓN	DENOMINATION	COP-174									RECOMMENDED	ELIMINADO ELIMINATED	INTRODUCIDO INTRODUCED	NOTAS / NOTES
1	12046160	SOPORTE BOMBA LAVADO	WASHIG PUMP SUPPORT	2												
2	12043287	MOTOBOMBA 590KW 50Hz	WASHIG PUMP 590KW 50Hz	2									X			
2	12102834	MOTOBOMBA 590KW 60Hz	WASHIG PUMP 590KW 60Hz	2									X			
3	12023556	BASE BOMBA LAVADO 1003016	WASHIG PUMP BASE 1003016	2												
4	12047910	SOP. DISTRIBUIDOR INFERIOR	LOWER SPRY-ARM SUPPORT	1												
5	12047688	CONDUCTO ASPIRACION 2 BOMB.	2 PUMP SUCTION PIPE	1												
6	12046162	CONDUCTO ASPIRACION	SUCTION PIPE	1												
7	12024376	CONDENSADOR 10MF	10MF CONDENSER	2									X			
8	12049214	JUNTA TORICA ACLARADO 13.8-3.5	RINSING O-RING 13,8-3,5	1												
9	12009962	ABRAZADERA 40-60	40-60 CLAMP	8												
10	12048173	BRAZO LAVAD-ACLAR. CAPOTA	WASH-RINSE ARM	1												
11	12048366	JUNTA BRAZO LAVADO-ACLAR.	WASH-RINSE ARM'S SEAL	1												
12	12048367	CIERRE BRAZO LAVADO-ACLAR.	WASH-RINSE ARM'S CLOSURE	1												
13	12048171	ADAPTADOR RAMAS LAVADO 2 BOMB.	WASHING ARMS ADAPTER 2 PUMPS	2												
14	12003421	DISTRIBUIDOR COMPLETO	COMPLETE SPRY-ARM	2												
15	12025116	CASQUILLO DISTRIBUIDOR	SPRY-ARM'S BUSHING	2												
16	12023674	ARANDELA AMARRE	TIGHTEN UP WASHER	2												
17	12102984	DISTRIBUIDOR ACLARADO CONCEPT	CONCEPT RINSE SPRY-ARM	2												
18	12112480	EJE LAVADO CAPOTA CONCEPT	WASHING SHAFT	2												
19	12041628	PROTECTOR FUGAS ACLARADO	RINSE LEAKAGE PROTECTOR	4												
20	12043288	TUERCA ESPECIAL	SPECIAL NUT	2												
21	12047689	CODO IMPULSION 2 BOMBAS	2 PUMP EXPULSION ELBOW	1												
22	12047690	ARBOL LAVADO 2 BOMBAS	2 PUMS WASHING TREE	1												
23	12043422	EJE ACLARADO	RINSING SHAFT	2												



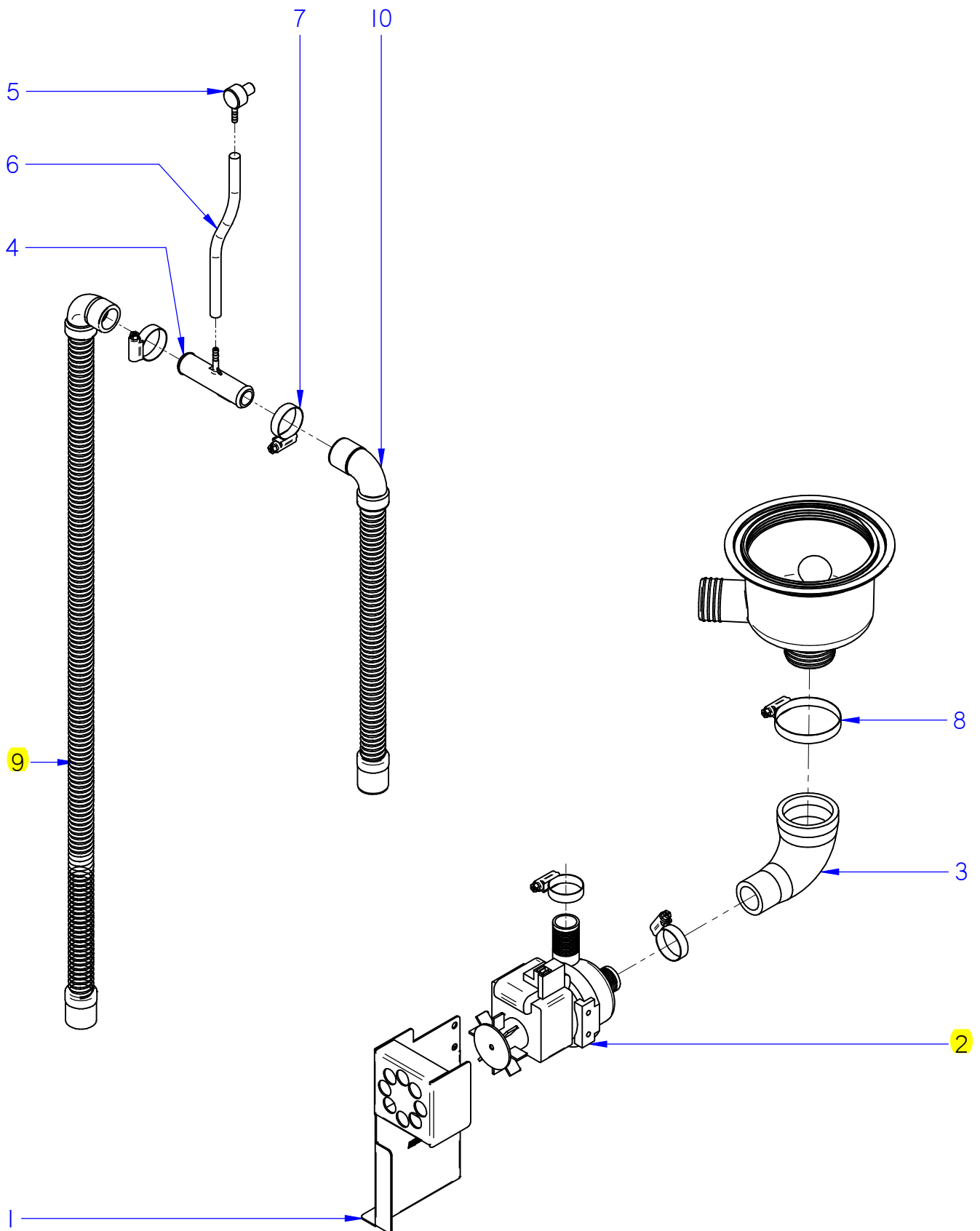
ITEM MARCADO EN COLOR = REPUESTO RECOMENDADO
 COLOURED ITEM = RECOMMENDED SPARE PART

N plano / Drawing N.	Firma / Signature	Fecha / Date	Aparato / Appliance	KIT DOSIFICADOR DETERGENTE / DETERGENT DISPENSER KIT	Lamina / Sheet	Fagor Industrial S.Coop. FAGOR
C-3360	Iban R.	01-2015	LAVAVAJILLAS COP-174 DD	DISHWASHER	4	 FAGOR
						Oñate




ITEM MARCADO EN COLOR = REPUESTO RECOMENDADO
 COLOURED ITEM = RECOMMENDED SPARE PART

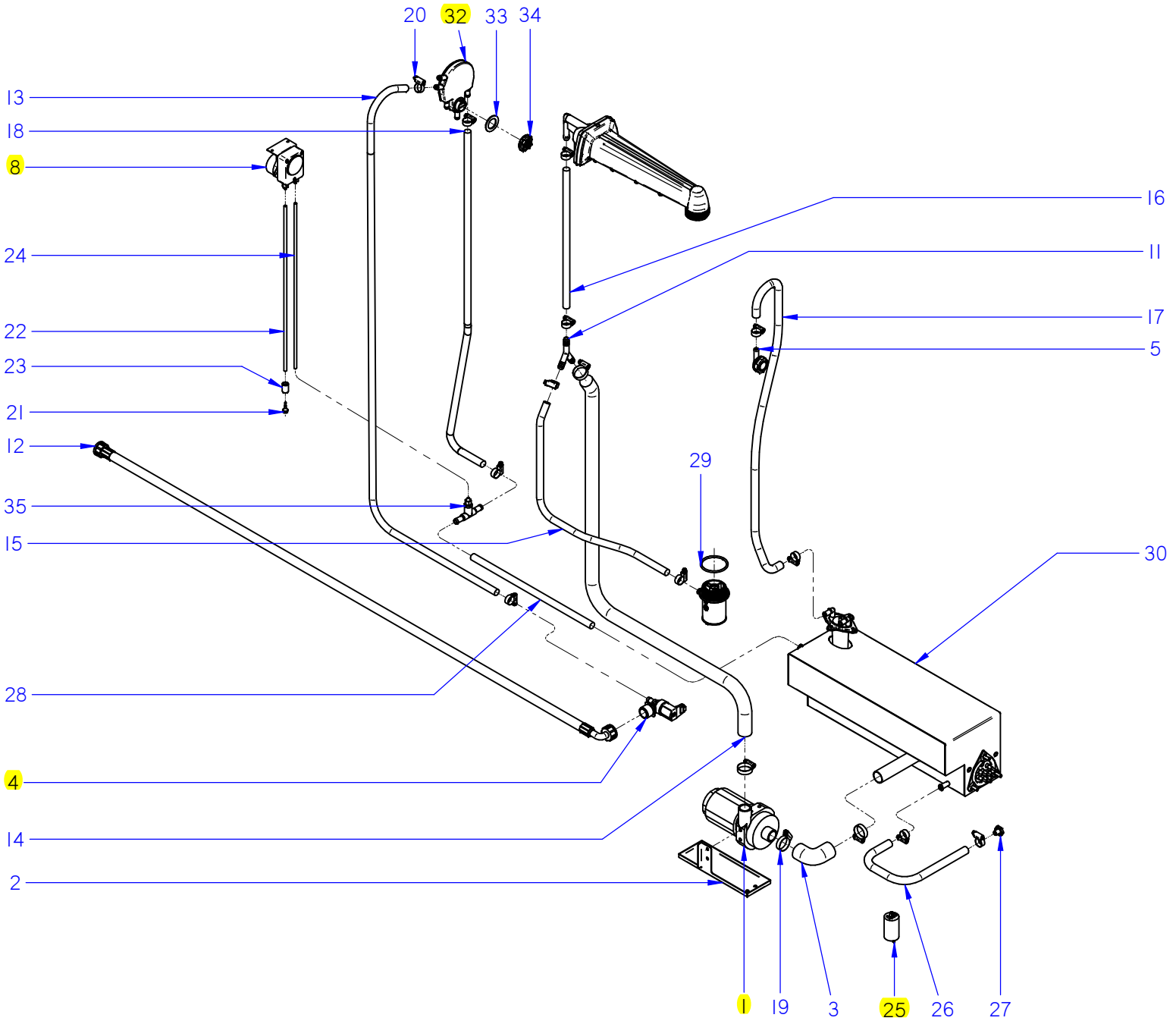
N plano / Drawing N.	Firma / Signature	Fecha / Date	Aparato / Appliance	DESAGÜE / DRAINING PART	Lamina / Sheet	Fagor Industrial S.Coop. FAGOR
C-3361	Iban R.	01-2015	LAVAVAJILLAS COP-174 DD DISHWASHER		5	Oñate



ITEM MARCADO EN COLOR = REPUESTO RECOMENDADO
 COLOURED ITEM = RECOMMENDED SPARE PART

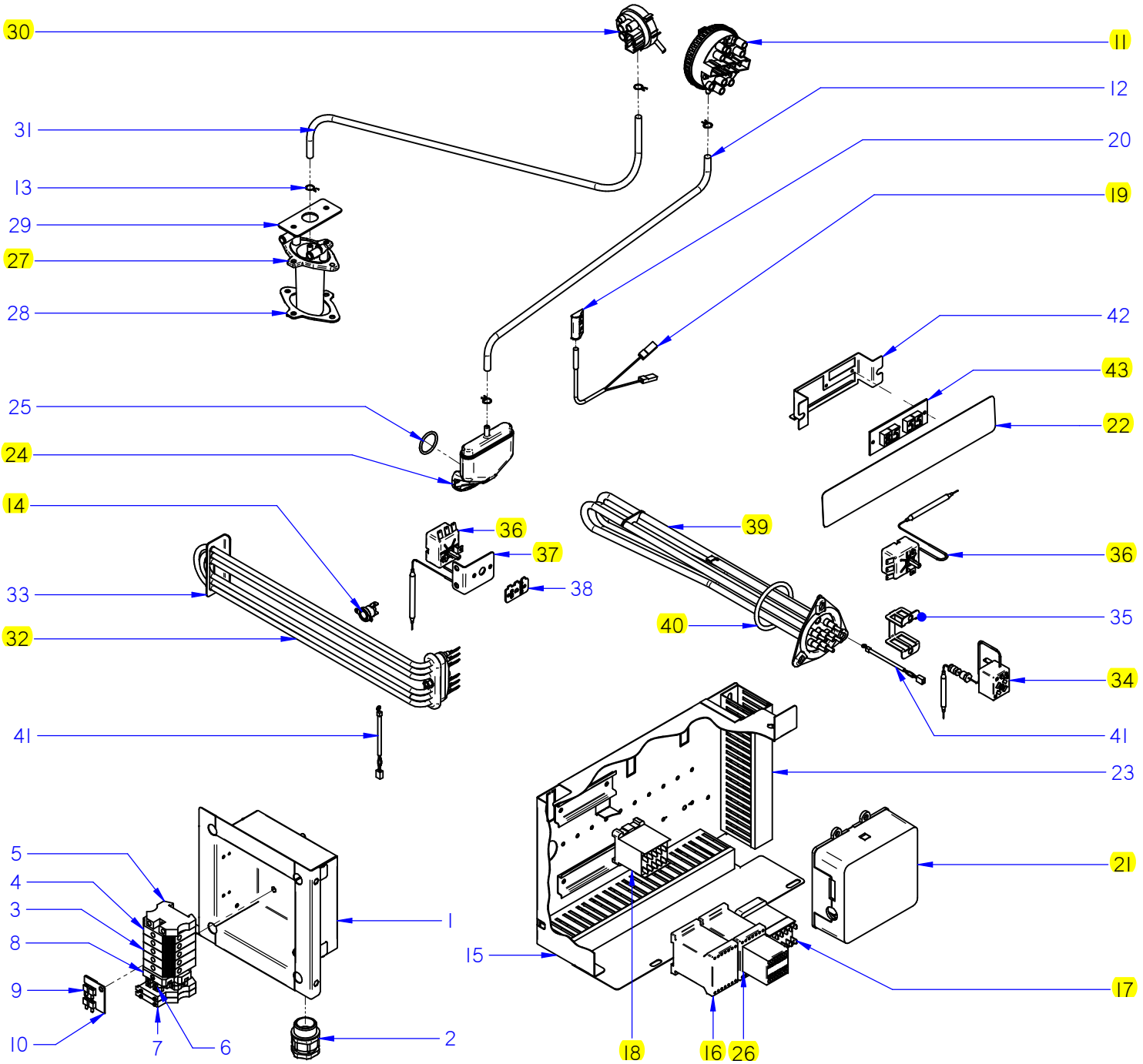
N plano / Drawing N.	Firma / Signature	Fecha / Date	Aparato / Appliance	KIT BOMBA DESAGÜE / DRAINING PUMP KIT	Lamina / Sheet	Fagor Industrial S.Coop. FAGOR
C-3362	Iban R	01-2015	LAVAVAJILLAS COP-174 B DISHWASHER		6	Note 

ITEM MARCADO EN COLOR = REPUESTO RECOMENDADO
 COLOURED ITEM = RECOMMENDED SPARE PART



ZONA / ZONE	PARTE FUNCIONAL ACLARADO / FUNCTIONAL RINSE PART	LÁMINA / DRAWING	C-3363	FAGOR 
-------------	--	------------------	--------	---

ITEM	REFERENCIA REFERENCE	DENOMINACIÓN	DENOMINATION	COP-174								RECOMMENDED	ELIMINADO ELIMINATED	INTRODUCIDO INTRODUCED	NOTAS / NOTES
1	12024233	BOMBA ACLARADO HANNING	HANNING RINSING PUMP	1								X			
2	12110537	SOPORTE BOMBA ACLARADO	RINSING PUMP'S SUPPORT	1											
3	12041928	CONDUCTO CALDERIN-BOMBA	BOILER-PUMP HOSE	1											
4	12095427	E.V SIMPLE 220V SALIDA A 90º	SIMPLE E.V 90º EXIT	1								X			
5	12097453	CONDUCTO AIREACION CALDERIN	BOILER VENTILATION ELBOW	1											
8	12092198	DOSIFICADOR ABRILLANTADOR	RINSE DISPENSER	1								X			
11	12023511	RACORD EN Y	"Y" SHAPED RACCORD	1											
12	12024115	MANGUERA ENTRADA AGUA	WATER SUPPLY HOSE	1											
13	12114353	TUBO WRAS	WRAS PIPE	1											
14	12046080	COND. IMPULSION ACLARADO	RINSING EXPULSION PIPE	1											
15	11000083	TUBO GOMA NEGRA D 17x10	D 17x10 BLACK RUBBER PIPE	1											
16	11000083	TUBO GOMA NEGRA D 17x10	D 17x10 BLACK RUBBER PIPE	1											
17	11000083	TUBO GOMA NEGRA D 17x10	D 17x10 BLACK RUBBER PIPE	1											
18	12114353	TUBO WRAS	WRAS PIPE	1											
19	12010023	ABRAZADERA 20-32	20-32 CLAMP	4											
20	12010036	ABRAZADERA 12-20	12-20 CLAMP	14											
21	12011355	FILTRO ASPIRACION	SUCTION FILTER	1											
22	12024139	CONDUCTO ASPIRACIÓN AZKOY	AZKOY SUCTION PIPE	1											
23	12024353	PESO FILTRO	FILTER WEIGHT	1											
24	11000079	CONDUCTO DOSIF. TRANSP 6X4	DISPENSER TRANSPARENT PIPE	1											
25	12023600	CONDENSADOR 5 µF	5 µf CONDENSER	1								X			
26	11000083	TUBO GOMA NEGRA D 17x10	BLACK RUBBER PIPE D 17x10	1											
27	12041528	TAPON M10x1.5	M10x1.5 CAP	1											
28	11000083	TUBO GOMA NEGRA D 17x10	BLACK RUBBER PIPE D 17x10	1											
29	12049052	JUNTA 53,57x3,53 SOP DISTR. INF.	53,57x3,53 O-RING	1											
30	12091690	CALDERIN RECTANGULAR	SQUARE BOILER	1											
32	12091121	AIR BREAK	AIR BREAK	1								X			
33	12091122	JUNTA AIR BREAK	AIR BREAK'S SEAL	1											
34	12104339	TUERCA AIR BREAK	AIR BREAK'S NUT	1											
35	12040714	RACOR EN T ANTIRRETORNO	T FITTING NON-RETURN	1											

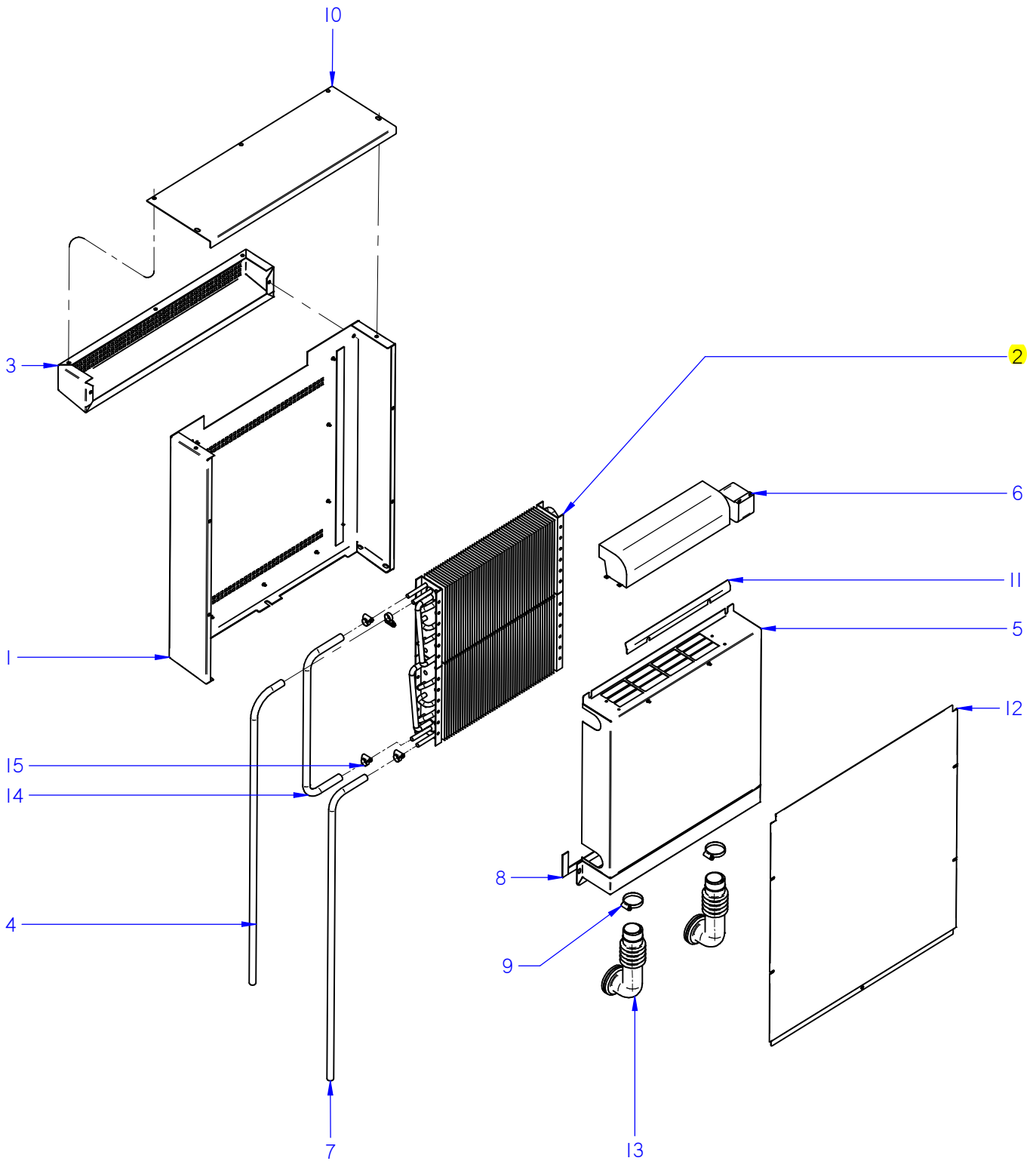


ITEM MARCADO EN COLOR = REPUESTO RECOMENDADO
 COLOURED ITEM = RECOMMENDED SPARE PART


C-3364	Firma / Signature	Fecha / Date	Aparato / Appliance	Lamina / Sheet	Fagor Industrial S. Coop. FAGOR
	iban R.	03-2015	LAVAVAJILLAS CO-174 DISHWASHER	8	
N plano / Drawing N.			CONJUNTO ELECTRICO / ELECTRICAL PART		

ITEM	REFERENCIA REFERENCE	DENOMINACIÓN	DENOMINATION	COP-174								RECOMMENDED	ELIMINADO ELIMINATED	INTRODUCIDO INTRODUCED	NOTAS / NOTES
1	12120601	BASE CAJA CONEXIONES	CONNECTIONS BOX BASE	1											
2	12009927	PRENSA ESTOPAS PG-21	PG-21 CABLE GLAND	1											
3	12023373	BORNES 10 WDU-10203.O	10 WDU-10203.O TERMINAL	3											
4	12025224	BORNA DE PASO AZUL	BLUE TERMINAL	2											
5	12024743	BORNE TIER 10 WPE-10103.O	EARTH TERMINAL	1											
6	12025180	REGLETA BORNAJE 2 PISOS	2 LEVEL CONNECTION STRIP	2											
7	12025158	BORNAS PORTA FUSIBLES	FUSE HOLDER TERMINALS	2											
8	12024199	TOPE FINAL	FINAL LIMIT	1											
9	12103361	CONECTOR 2 VIAS 10mm 57A	2 WAY CONNECTOR 57A	3											
10	12103535	SOP. CONECTORES 2 VIAS	2 WAY CONNECTOR'S SUPP.	1											
11	12093675	PRESOSTAT. DOBLE 125/20-190/165	125/20-190/165 PRESSURE SWITCH	1								X			
12	11000066	TUBO GOMA NEGRO D 8x4	D 8x4 BLACK RUBBER PIPE	1											
13	12023707	BRIDA ELASTICA TUBO	ELASTIC CLAMP FOR PIPES	2											
14	12096597	TERM. SEG. 261B 110°C FAST 90	SEC. THERM. 261B 110°C FAST 90	1								X			
15	12047752	BASE CUADRO ELECTRICO	ELECTRIAL PANEL'S BASE	1											
16	12024040	CONTACTOR 230V 4VIAS UL	230V 4WAY UL CONTACTOR	2								X			
17	12024011	CONTACTOR 16A 4VIA UL	16A 4VIA CONTACTOR UL	2								X			
18	12024012	CONTACTOR 16A 4VIA UL	16A 4VIA CONTACTOR UL	1								X			
19	12024477	INTERRUPTOR MAGNETICO	MAGNETIC SWITCH	1								X			
20	12024066	AMARRE INTERRUP. MAGNETICO	MAGNETIC SWITCH'S SUPPORT	1											
21	12110837	CONTROL TARJETA 5 RELES	5 RELAY CONTROL CARD	1								X			
22	12119176	EMBELLECEDOR COP-174	COP-174 STICKER	1								X			
23	11000162	CANALETA 60.30.77	60.30.77 CABLE CONDUIT	3											
24	12093146	CAMPANA TANQUE	TUB'S PRESSURE CHAMBER	1								X			
25	12093145	JUNTA TORICA CAMPANA	PRESSURE CHAMBER'S O-RING	1											
26	12123408	KIT CONTACTOR AUXILIAR 400V UL	KIT AUXILIARY CONTACTOR 400V UL	1								X			
27	12091478	CAMPANA CALDERIN	BOILER'S PRESSURE CHAMBER	1								X			
28	12118822	JUNTA CAMPANA CALDERIN	BOILER'S P.CHAMBERS SEAL	1								X			
29	12101852	CHAPA REFUERZA CAMPANA	P. CHAMBER STRENGTHENER	1											
30	12048644	PRESOSTATO SIMPLE 1,40-6,30mbar	1,40/6,30mbar SIMPLE PRES.SWITCH	1								X			
31	11000066	TUBO GOMA NEGRO D 8x4	D 8x4 BLACK RUBBER PIPE	1											
32	12045886	RESISTENCIA 4,5KW TRIPLE	TRIPLE RESISTOR 4,5KW	1								X			

ITEM	REFERENCIA REFERENCE	DENOMINACIÓN	DENOMINATION	COP-174								RECOMMENDED	ELIMINADO ELIMINATED	INTRODUCIDO INTRODUCED	NOTAS / NOTES
33	12049715	SOPORTE RESISTENCIA TANQUE	TUB RESOSTOR SUPPORT	1											
34	12023830	LIMITADOR TECASA 125°C	TECASA THERMOSTAT 125°C	1								X			
35	12022151	AMARRE LIMITADOR TECASA	TECASA THERMOST. SUPPORT	1											
36	12040858	TERMOSTATO 16A 85°C 6MM	THERMOSTAT 16A 85°C 6MM	2								X			
37	12102004	SOPORTE TERMOSTATO	THERMOSTAT SUPPORT	1											
38	12044848	REGULADOR A 60°C Tt DE 85°C	60°C Tt DE 85°C REGULATOR	1											
39	12092825	RESIST. 12KW 400MM TRIPLE UL	12kW 400MM TRIPLE RESISTOR	1								X			
40	12118319	JUNTA TÓRICA RESIS. CALDERIN	BOILER RESISTOR'S O-RING	1								X			
41	12025036	CONJUNTO Sonda 64kOHM NTC	64kOHM NTC THERMOSTAT	2											
42	12022219	SOPORTE COMPO. AD AF-LVS	COMPONENTS SUPPORT AD AF-LVS	1											
43	12024028	VISUALIZADOR 12V DC 4DIG. 7SEG.	12V DC 4DIG. 7SEG. DISPLAY	1								X			



ITEM MARCADO EN COLOR = REPUESTO RECOMENDADO
 COLOURED ITEM = RECOMMENDED SPARE PART

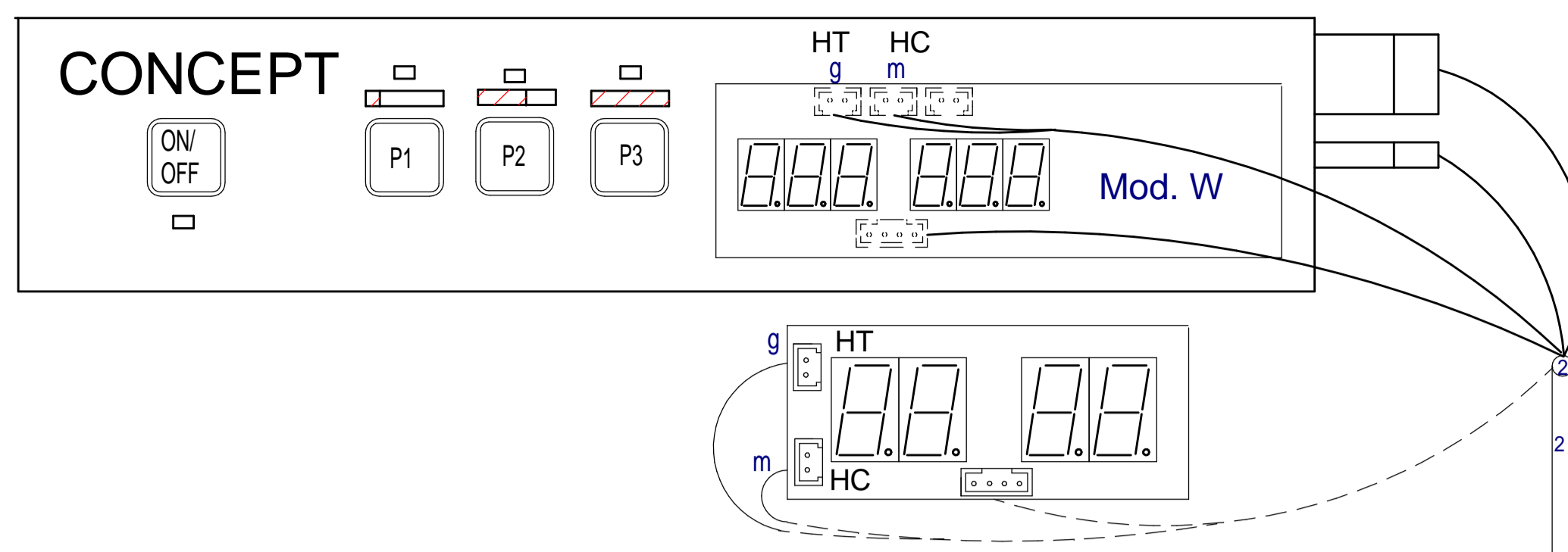
N plano / Drawing N.	Firma / Signature	Fecha / Date	Aparato / Appliance	HEAT RECOVERING SYSTEM	Lamina / Sheet	Fagor Industrial S.Coop. FAGOR
C-3365	Iban R.	01-2015	LAVAVAJILLAS COP-174 HRS DISHWASHER		9	
						Note

ITEM	REFERENCIA REFERENCE	DENOMINACIÓN	DENOMINATION	COP-174 HRS								RECOMMENDED	ELIMINADO ELIMINATED	INTRODUCIDO INTRODUCED	NOTAS / NOTES
1	12120603	CUBIERTA EXTERIOR COMP. C.U.	C.U. EXTERNAL COVER	1											
2	12048309	SERPENTIN C.U.	C.U. COOLING COIL	2								X			
3	12120604	BISERA REJILLA C.U.	C.U. GRILLED CAP	1											
4	11000083	CONDUCTO HRS - AIRBREAK	HRS - AIRBREAK PIPE	1											
5	12048319	CUBIERTA INTERIOR COMPL. C.U.	C.U. INNER COVER COLETE	1											
6	12048323	VENTILADOR TANGENCIAL C.U.	C.U. TANGENTIAL FAN	1											
7	11000083	CODUCTO EV - HRS	EV - HRS PIPE	1											
8	12111218	JUNTA LAVAVAJILLAS HRS	HRS DISHWASHER GASKET	1											
9	12009986	ABRAZADERA DIN 3017 W2 32-50L	DIN 3017 W2 32-50L CLAMP	2											
10	12048344	TAPA SUPERIOR C.U.	C.U. TOP COVER	1											
11	12048343	CHAPA DE AIRE C.U.	C.U. AIR SHEET	1											
12	12120605	TAPA POSTERIOR C.U.	C.U. BACK COVER	1											
13	12111213	CODO ENTRADA VAPOR HRS	HRS STEAM INLET ELBOW	2											
14	11000083	TUBO UNIÓN SERPENTINES	COOLING COILS CONNECTION PIPE	1											
15	12010036	ABRAZADERA 12-20	12-20 CLAMP	4											

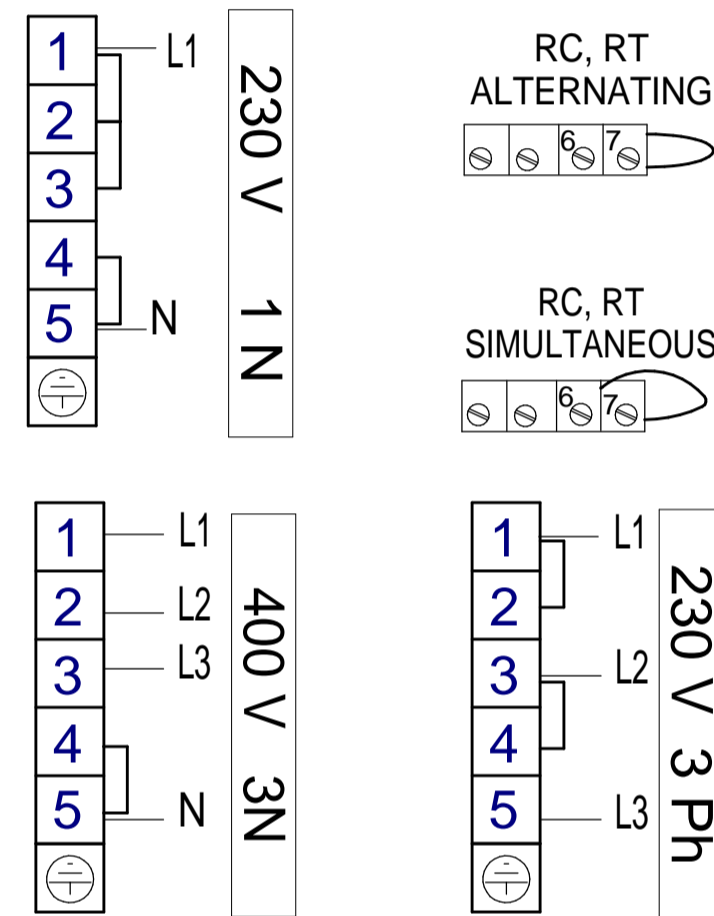
ZONA / ZONE	RECOMENDADOS / RECOMMENDED	LÁMINA / DRAWING	FAGOR 
-------------	----------------------------	------------------	---

ITEM	REFERENCIA REFERENCE	DENOMINACIÓN	DENOMINATION	COP-174 DD	COP-174 B DD	COP-174 HRS DE							ELIMINADO ELIMINATED	INTRODUCIDO INTRODUCED	NOTAS / NOTES
2	12043287	MOTOBOMBA 590KW 50Hz	WASHIG PUMP 590KW 50Hz	2	2	2									C-3359
2	12102834	MOTOBOMBA 590KW 60Hz	WASHIG PUMP 590KW 60Hz	2	2	2									C-3359
7	12024376	CONDENSADOR 10MF	10MF CONDENSER	2	2	2									C-3359
1	12024216	DOSIF. DGTE REGULABLE G300	DETERG. REGUL. DISPENSER	1	1	1									C-3360
5	12024473	MANGUERA DESAGÜE	DRAINING PIPE	1	-	1									C-3361
2	12023456	BOMBA DESAGUE	DRAINING PUMP	-	1	-									C-3362
9	12041934	MANGUERA DESAGÜE	DRAINING PIPE	-	1	-									C-3362
1	12024233	BOMBA ACLARADO HANNING	HANNING RINSING PUMP	1	1	1									C-3363
4	12095427	E.V SIMPLE 220V SALIDA A 90º	SIMPLE E.V 90º EXIT	1	1	1									C-3363
8	12092198	DOSIFICADOR ABRILLANTADOR	RINSE DISPENSER	1	1	1									C-3363
25	12023600	CONDENSADOR 5 µF	5 µf CONDENSER	1	1	1									C-3363
32	12091121	AIR BREAK	AIR BREAK	1	1	1									C-3363
11	12093675	PRESOSTAT. DOBLE 125/20-190/165	125/20-190/165 PRESSURE SWITCH	1	1	1									C-3364
14	12096597	TERM. SEG. 261B 110°C FAST 90	SEC. THERM. 261B 110°C FAST 90	1	1	1									C-3364
16	12024040	CONTACTOR 230V 4VIAS UL	230V 4WAY UL CONTACTOR	2	2	2									C-3364
17	12024011	CONTACTOR 16A 4VIA UL	16A 4VIA CONTACTOR UL	2	2	2									C-3364
18	12024012	CONTACTOR 16A 4VIA UL	16A 4VIA CONTACTOR UL	1	1	1									C-3364
19	12024477	INTERRUPTOR MAGNETICO	MAGNETIC SWITCH	1	1	1									C-3364
21	12110837	CONTROL TARJETA 5 RELES	5 RELAY CONTROL CARD	1	1	1									C-3364
22	12119176	EMBELLECEDOR COP-174	COP-174 STICKER	1	1	1									C-3364
24	12093146	CAMPANA TANQUE	TUB'S PRESSURE CHAMBER	1	1	1									C-3364
26	12123408	KIT CONTACTOR AUXILIAR 400V UL	KIT AUXILIARY CONTACTOR 400V UL	1	1	1									C-3364
27	12091478	CAMPANA CALDERIN	BOILER'S PRESSURE CHAMBER	1	1	1									C-3364
28	12118822	JUNTA CAMPANA CALDERIN	BOILER'S P.CHAMBERS SEAL	1	1	1									C-3364
30	12048644	PRESOSTATO SIMPLE 1,40-6,30mbar	1,40/6,30mbar SIMPLE PRES.SWITCH	1	1	1									C-3364
32	12045886	RESISTENCIA 4,5KW TRIPLE	TRIPLE RESISTOR 4,5KW	1	1	1									C-3364
34	12023830	LIMITADOR TECASA 125°C	TECASA THERMOSTAT 125°C	1	1	1									C-3364
36	12040858	TERMOSTATO 16A 85°C 6MM	THERMOSTAT 16A 85°C 6MM	2	2	2									C-3364
39	12092825	RESIST. 12KW 400MM TRIPLE UL	12kW 400MM TRIPLE RESISTOR	1	1	1									C-3364
40	12118319	JUNTA TÓRICA RESIS. CALDERIN	BOILER RESISTOR'S O-RING	1	1	1									C-3364
43	12024028	VISUALIZADOR 12V DC 4DIG. 7SEG.	12V DC 4DIG. 7SEG. DISPLAY	1	1	1									C-3364
2	12048309	SERPENTIN C.U.	C.U. COOLING COIL	-	-	2									C-3365

①	12120045
②	12115668
② W	12114419
④ HRS	12119239
Prensa estopas	12009927
Esquema teorico	12103187
Indicador de componentes	12022162
Leyenda	12103338

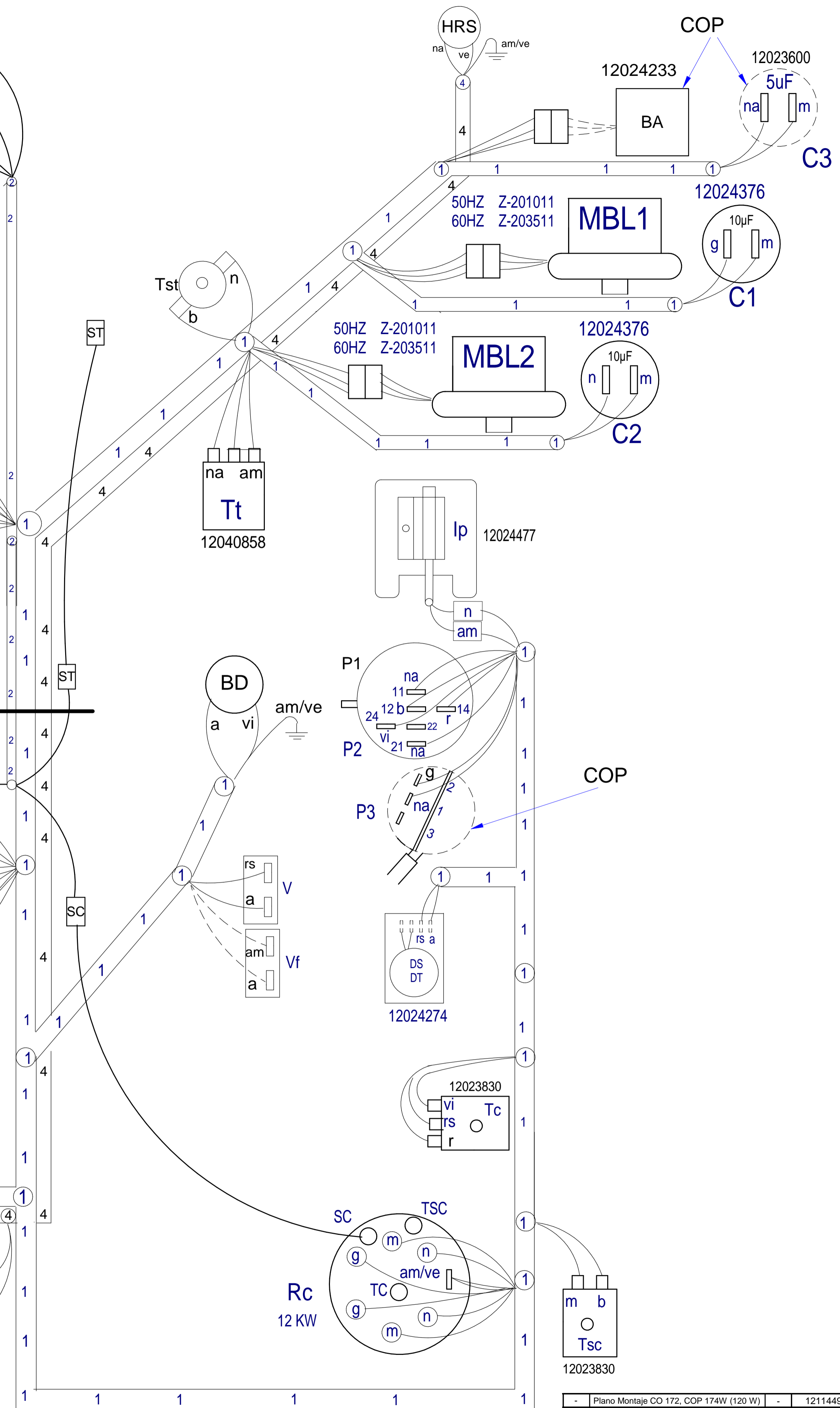
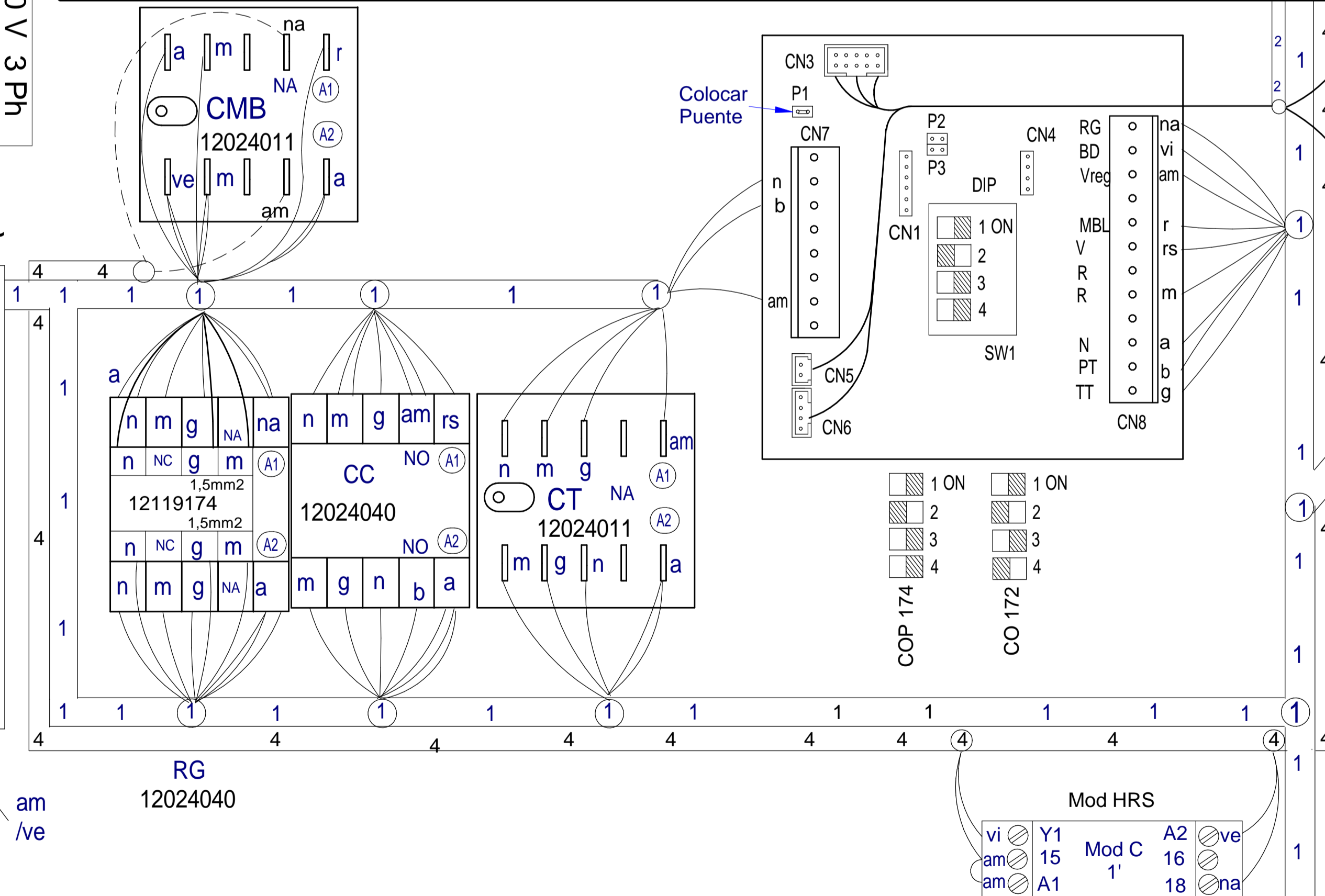
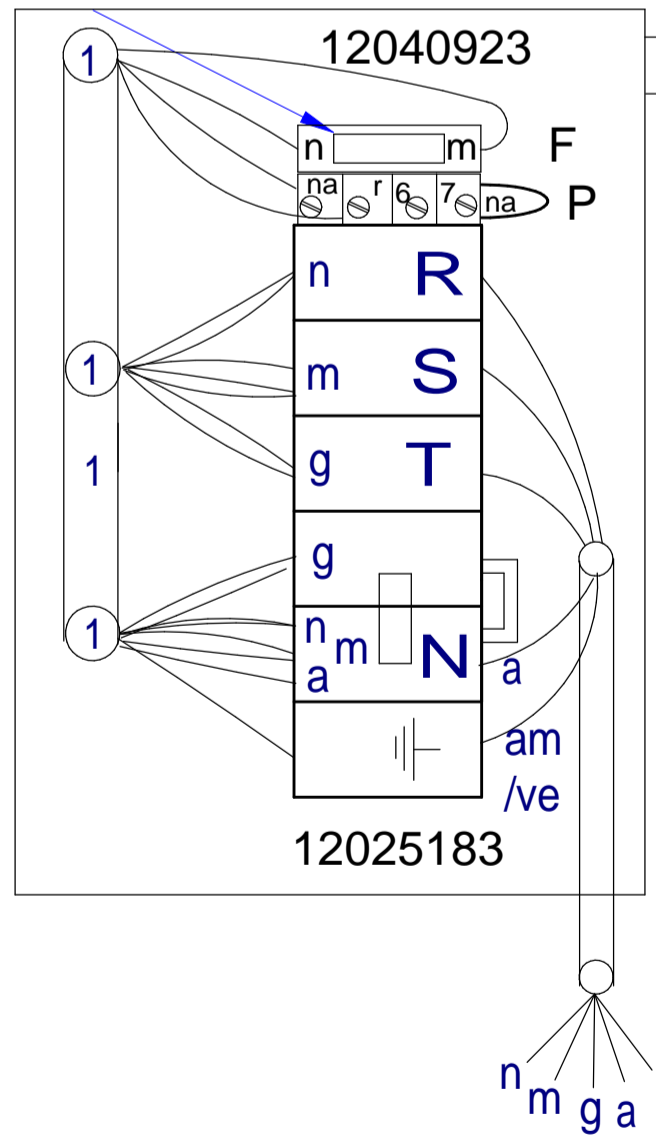


CO 172, COP 174W



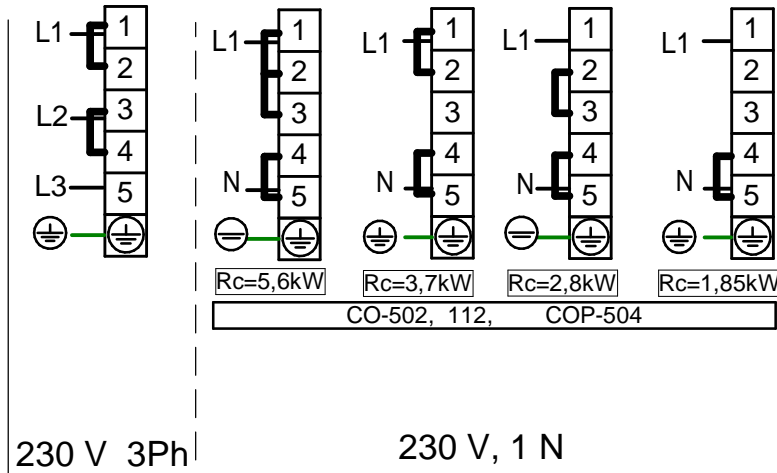
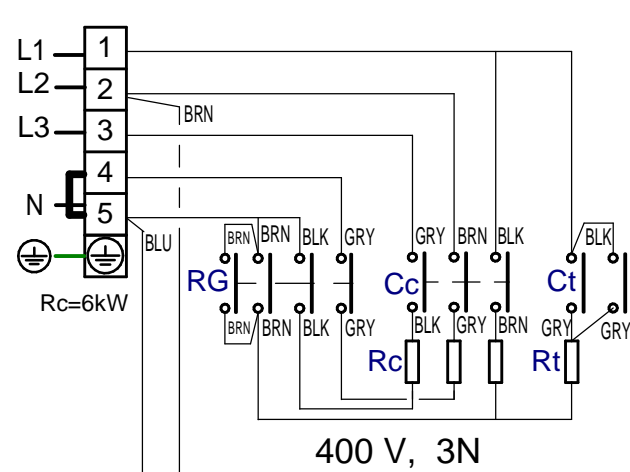
Nota: Todos los cables hembra que queden sin conectar se les colocaran una funda para macho Q-578006

Fusible 4A 400 V - 3N ~
12024333

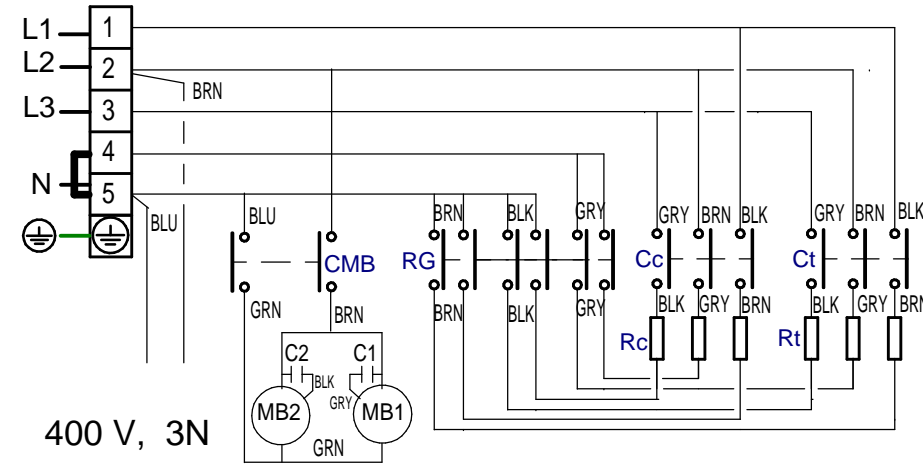


Nº		Plano Montaje CO 172, COP 174W (120 W)		12114495		MATERIAL		TREATMENT	
GENERAL TOLERANCES:		ISO 2768-1		Very Coarse		FAGOR		SHEET FORMAT: A1	
DESIGN CENTER:		LAVAVAJILLAS		M.Mello		A.G.		ON A	
MAT STATUS:		DESIGNED BY		VALIDATED BY		DATE		SHEET: 1 / 1	
DOC STATUS:		M.Mello		A.G.		12.06.2014		SCALE: 1:1	
12114495		REVISION		PROPOSED BY:		ISSUE DATE:			

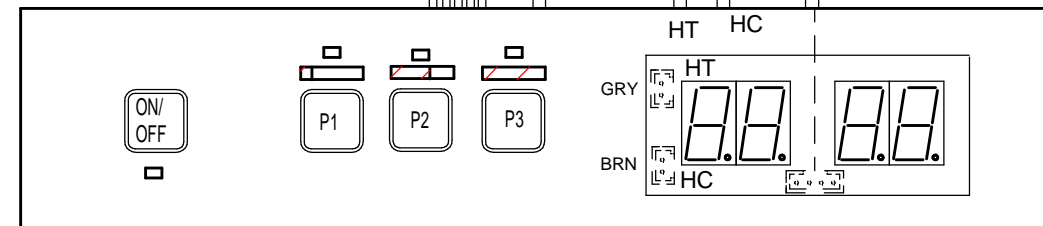
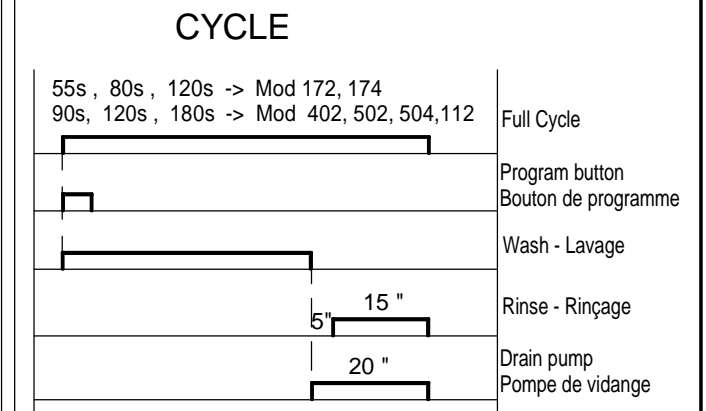
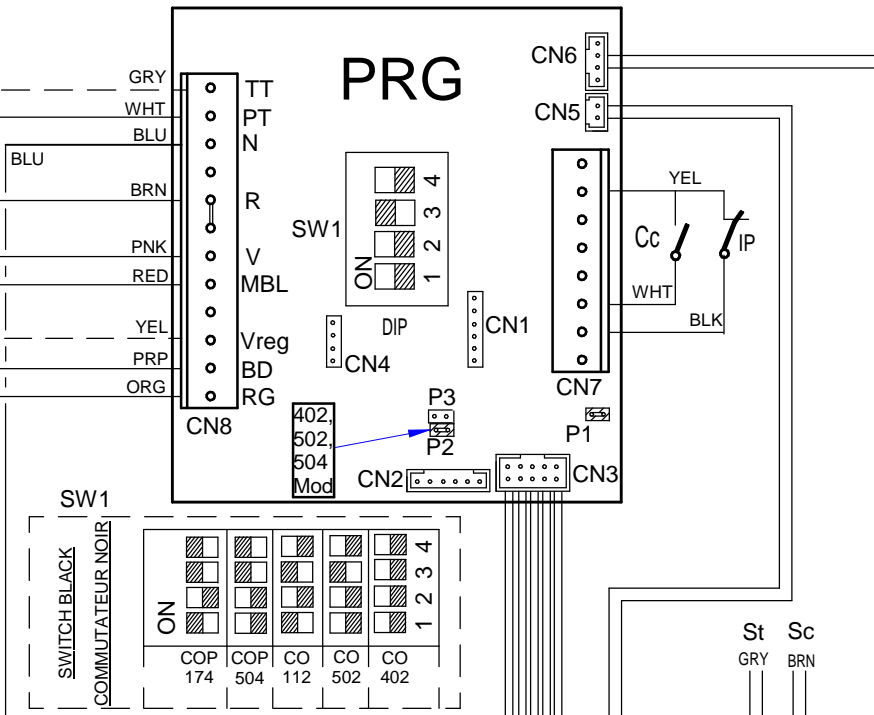
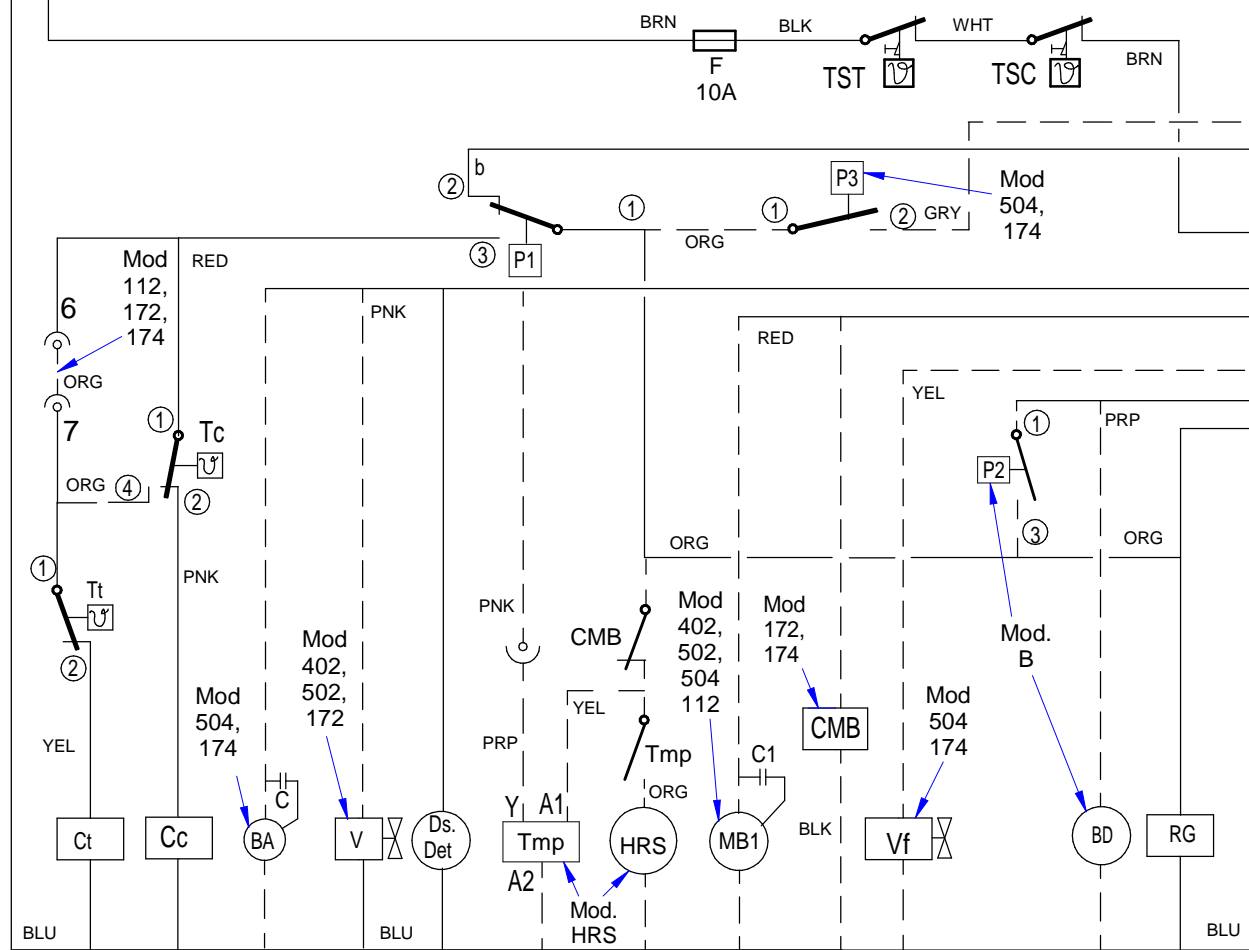
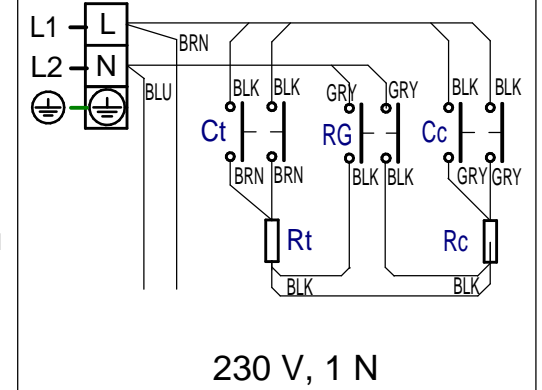
CO-502, COP-504



CO 112, 172, COP-174



CO 352, 402



12121300

- Esquema Teorico CO XX2, COP XX4, -		12121300																																																																																	
Nº	TITLE	QTY	CODE																																																																																
GENERAL TOLERANCES: ISO 2768-1 Very Coarse		MATERIAL																																																																																	
<table border="1"> <tr> <th>LINEAR</th> <th>Fine</th> <th>Medium</th> <th>Coarse</th> <th>Very Coarse</th> <th>ANGULAR</th> <th>Fine</th> <th>Medium</th> <th>Coarse</th> <th>Very Coarse</th> </tr> <tr> <td><3mm</td> <td>±0.05</td> <td>±0.10</td> <td>±0.15</td> <td>±0.20</td> <td><10mm</td> <td>±1°</td> <td>±1°30'</td> <td>±2°</td> <td>±3°</td> </tr> <tr> <td>3-6mm</td> <td>±0.05</td> <td>±0.10</td> <td>±0.20</td> <td>±0.50</td> <td>10-50mm</td> <td>±30'</td> <td>±1°</td> <td>±2°</td> <td>±3°</td> </tr> <tr> <td>6-30mm</td> <td>±0.10</td> <td>±0.20</td> <td>±0.50</td> <td>±1.20</td> <td>50-120mm</td> <td>±20'</td> <td>±30'</td> <td>±1°</td> <td>±1°</td> </tr> <tr> <td>30-120mm</td> <td>±0.15</td> <td>±0.30</td> <td>±0.80</td> <td>±2.00</td> <td>120-400mm</td> <td>±10'</td> <td>±15'</td> <td>±30'</td> <td>±30'</td> </tr> <tr> <td>120-400mm</td> <td>±0.20</td> <td>±0.50</td> <td>±1.20</td> <td>±3.00</td> <td>>400mm</td> <td>±5'</td> <td>±10'</td> <td>±20'</td> <td>±20'</td> </tr> <tr> <td>400-1000mm</td> <td>±0.30</td> <td>±0.80</td> <td>±2.00</td> <td></td> <td></td> <td></td> <td></td> <td></td> <td></td> </tr> <tr> <td>1000-2000mm</td> <td>±0.50</td> <td>±1.20</td> <td>±3.00</td> <td></td> <td></td> <td></td> <td></td> <td></td> <td></td> </tr> </table>		LINEAR	Fine	Medium	Coarse	Very Coarse	ANGULAR	Fine	Medium	Coarse	Very Coarse	<3mm	±0.05	±0.10	±0.15	±0.20	<10mm	±1°	±1°30'	±2°	±3°	3-6mm	±0.05	±0.10	±0.20	±0.50	10-50mm	±30'	±1°	±2°	±3°	6-30mm	±0.10	±0.20	±0.50	±1.20	50-120mm	±20'	±30'	±1°	±1°	30-120mm	±0.15	±0.30	±0.80	±2.00	120-400mm	±10'	±15'	±30'	±30'	120-400mm	±0.20	±0.50	±1.20	±3.00	>400mm	±5'	±10'	±20'	±20'	400-1000mm	±0.30	±0.80	±2.00							1000-2000mm	±0.50	±1.20	±3.00								
LINEAR	Fine	Medium	Coarse	Very Coarse	ANGULAR	Fine	Medium	Coarse	Very Coarse																																																																										
<3mm	±0.05	±0.10	±0.15	±0.20	<10mm	±1°	±1°30'	±2°	±3°																																																																										
3-6mm	±0.05	±0.10	±0.20	±0.50	10-50mm	±30'	±1°	±2°	±3°																																																																										
6-30mm	±0.10	±0.20	±0.50	±1.20	50-120mm	±20'	±30'	±1°	±1°																																																																										
30-120mm	±0.15	±0.30	±0.80	±2.00	120-400mm	±10'	±15'	±30'	±30'																																																																										
120-400mm	±0.20	±0.50	±1.20	±3.00	>400mm	±5'	±10'	±20'	±20'																																																																										
400-1000mm	±0.30	±0.80	±2.00																																																																																
1000-2000mm	±0.50	±1.20	±3.00																																																																																
DESIGNED BY: M.Maillo		VALIDATED BY: A.gallastegui																																																																																	
DATE: 19.01.2015		SHEET: 1 / 1																																																																																	
SCALE: 1:1																																																																																			

12121300

REVISION

PROPOSED BY: -

ISSUE DATE:

