

DESPIECE TÉCNICO TECHNICAL PARTS

Lavavajillas
Dishwasher

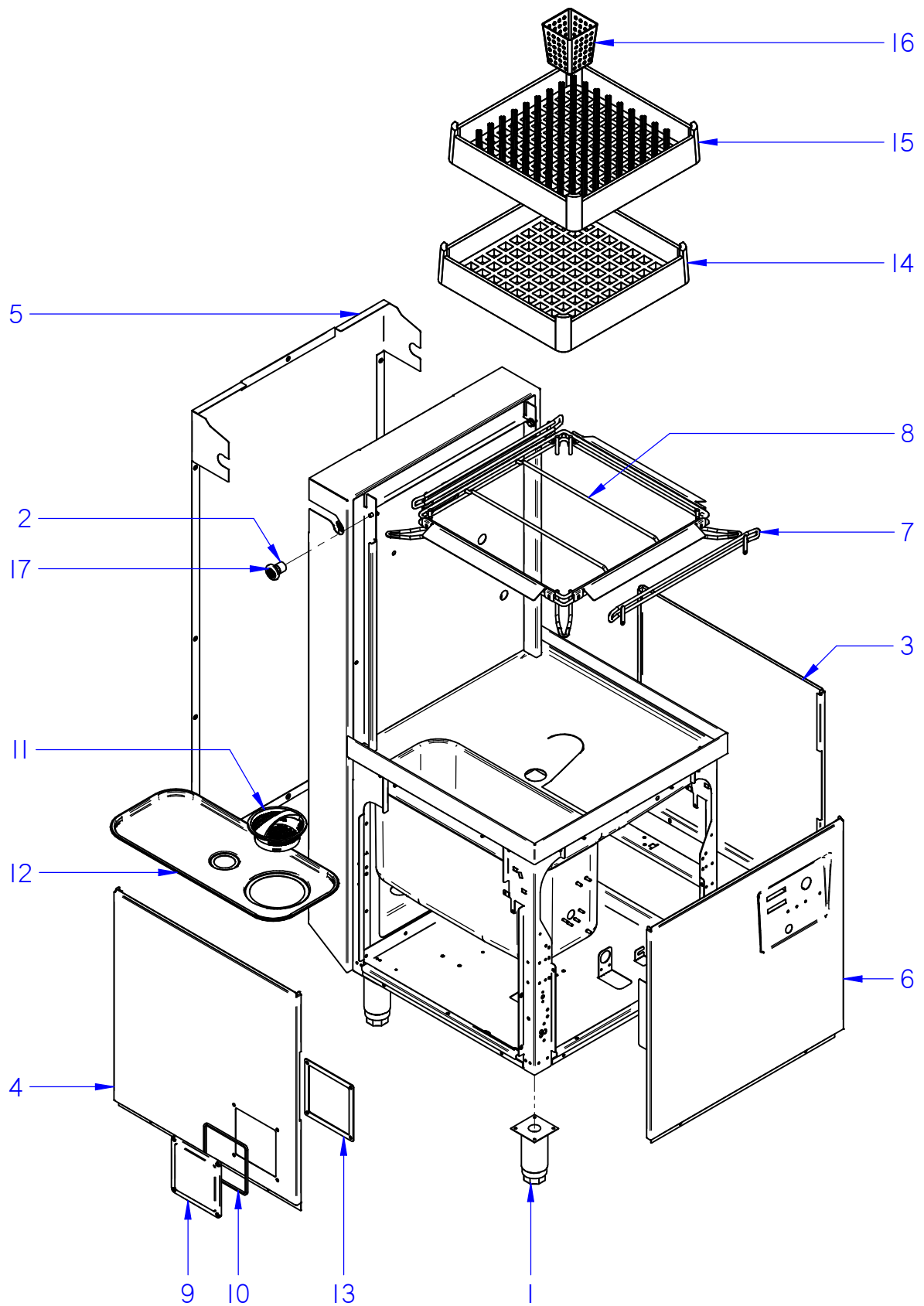
MODELOS

COP-173 / DD / B / B DD / SOFT / HRS / HRS DD

Diciembre 2014 December

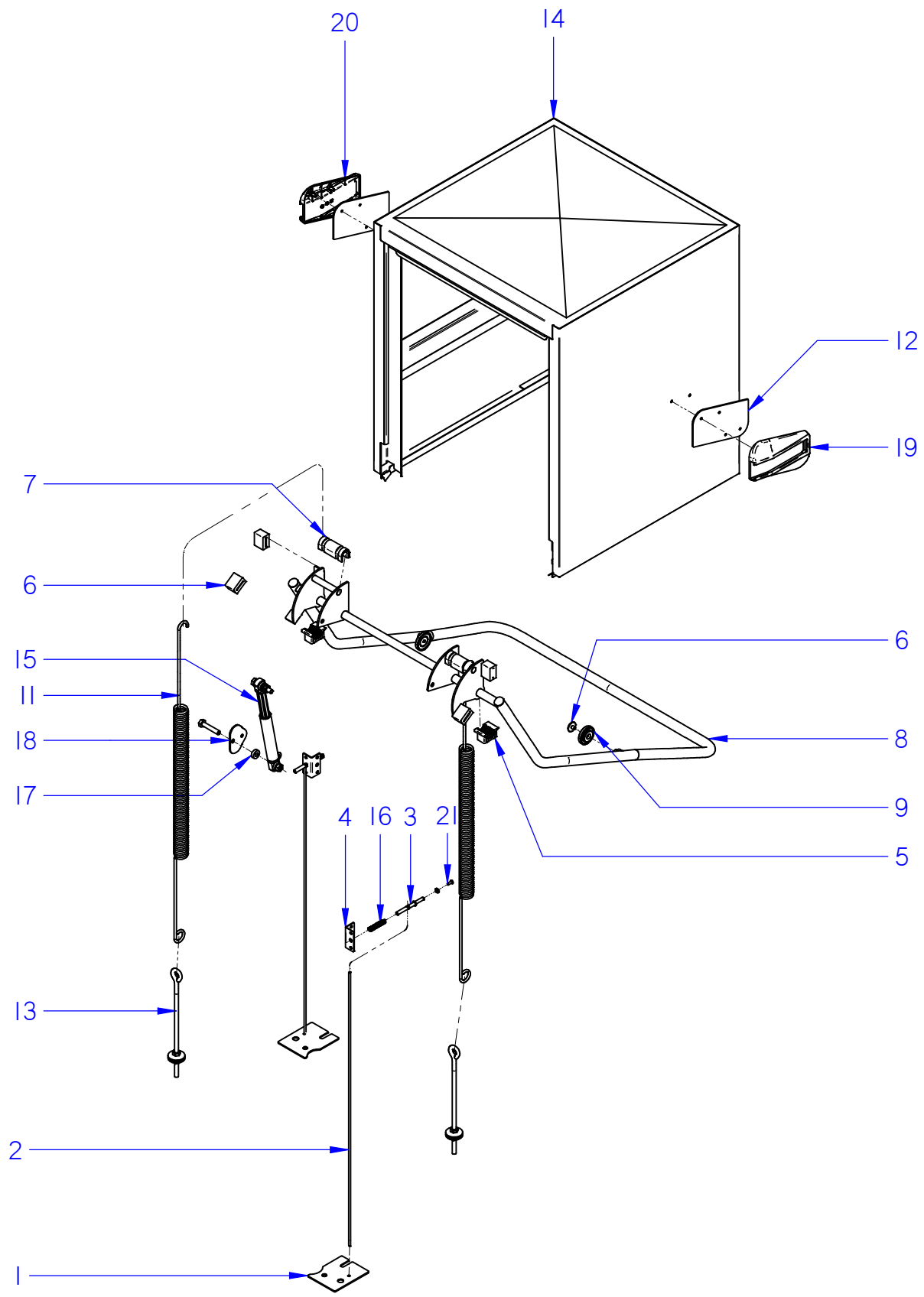
Revisado Julio 2015 July Revised





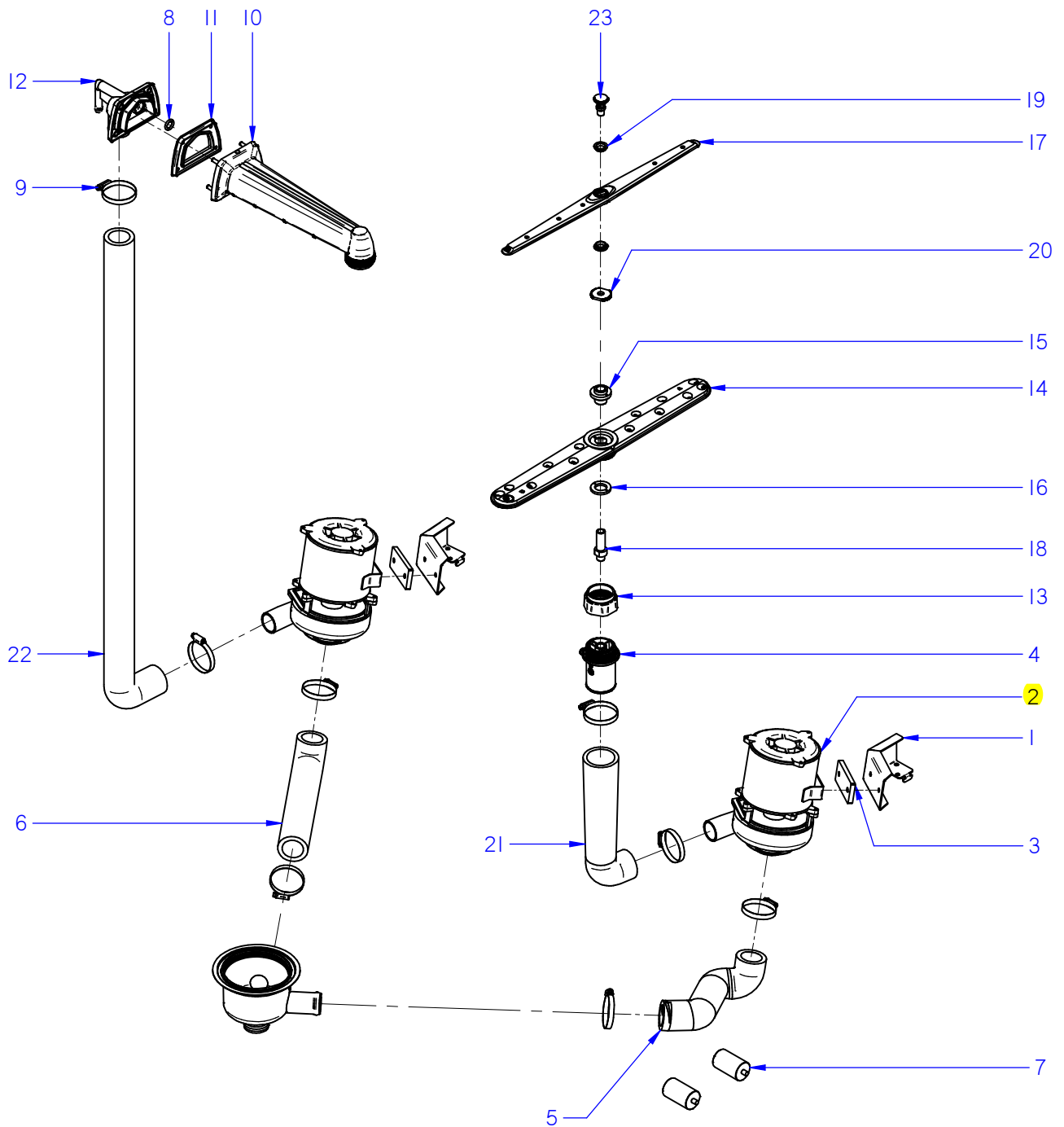
ITEM MARCADO EN COLOR = REPUESTO RECOMENDADO
 COLOURED ITEM = RECOMMENDED SPARE PART

N plano / Drawing N.	Firma / Signature	Fecha / Date	Aparato / Appliance	MUEBLE / FRAME	Lamina / Sheet	Fagor Industrial S.Coop. FAGOR
C-3303	Iban R.	07-2015	LAVAVAJILLAS COP-173 DISHWASHER		1	Oñate



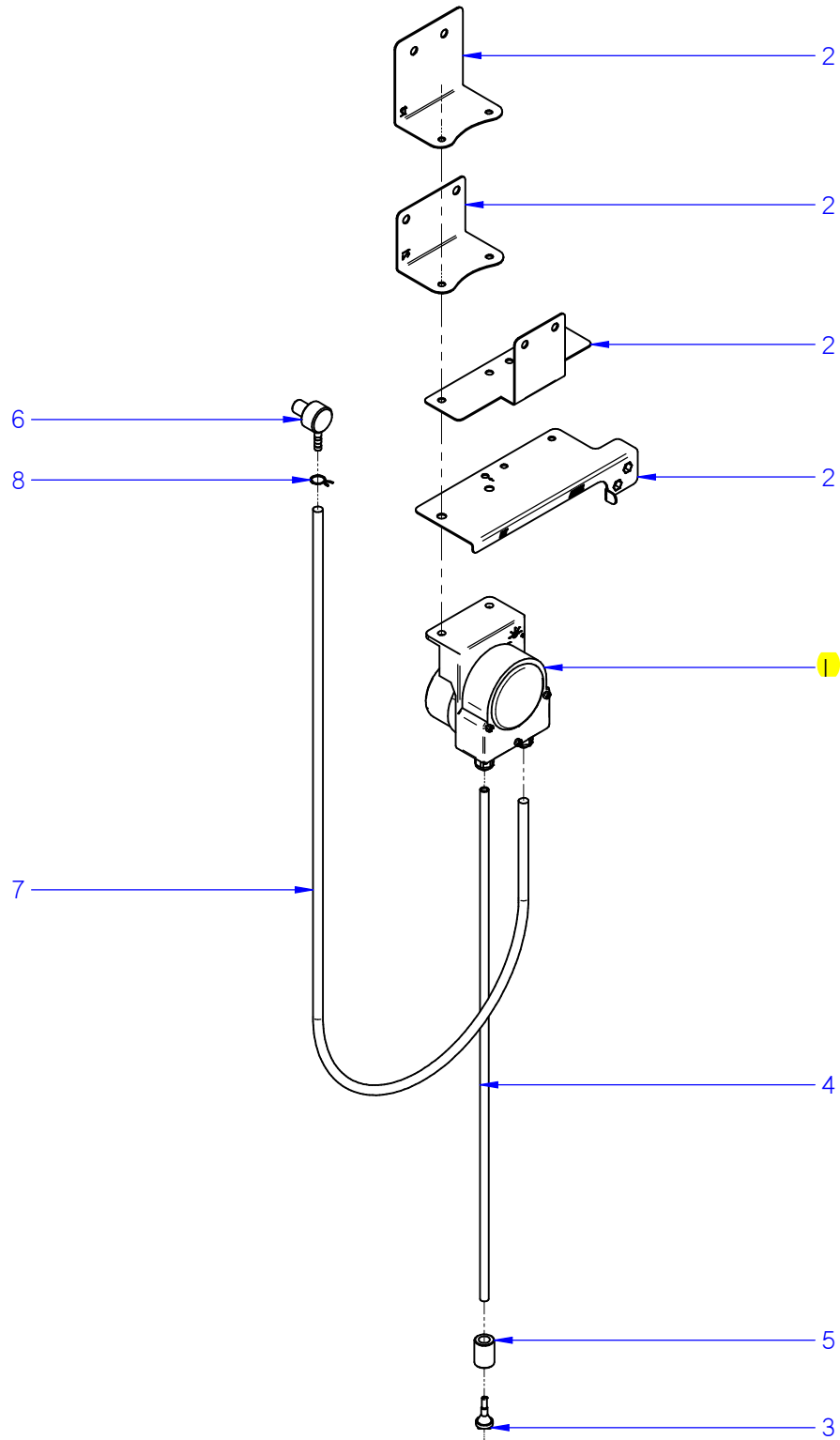
ITEM MARCADO EN COLOR = REPUESTO RECOMENDADO
 COLOURED ITEM = RECOMMENDED SPARE PART

N plano / Drawing N.	Firma / Signature	Fecha / Date	Aparato / Appliance	ASA-CAPOTA / HANDLE HOOD	Lamina / Sheet	Fagor Industrial S.Coop. FAGOR
C-3304	Iban R.	07-2015	LAVAVAJILLAS COP-173	DISHWASHER	2	Oñate



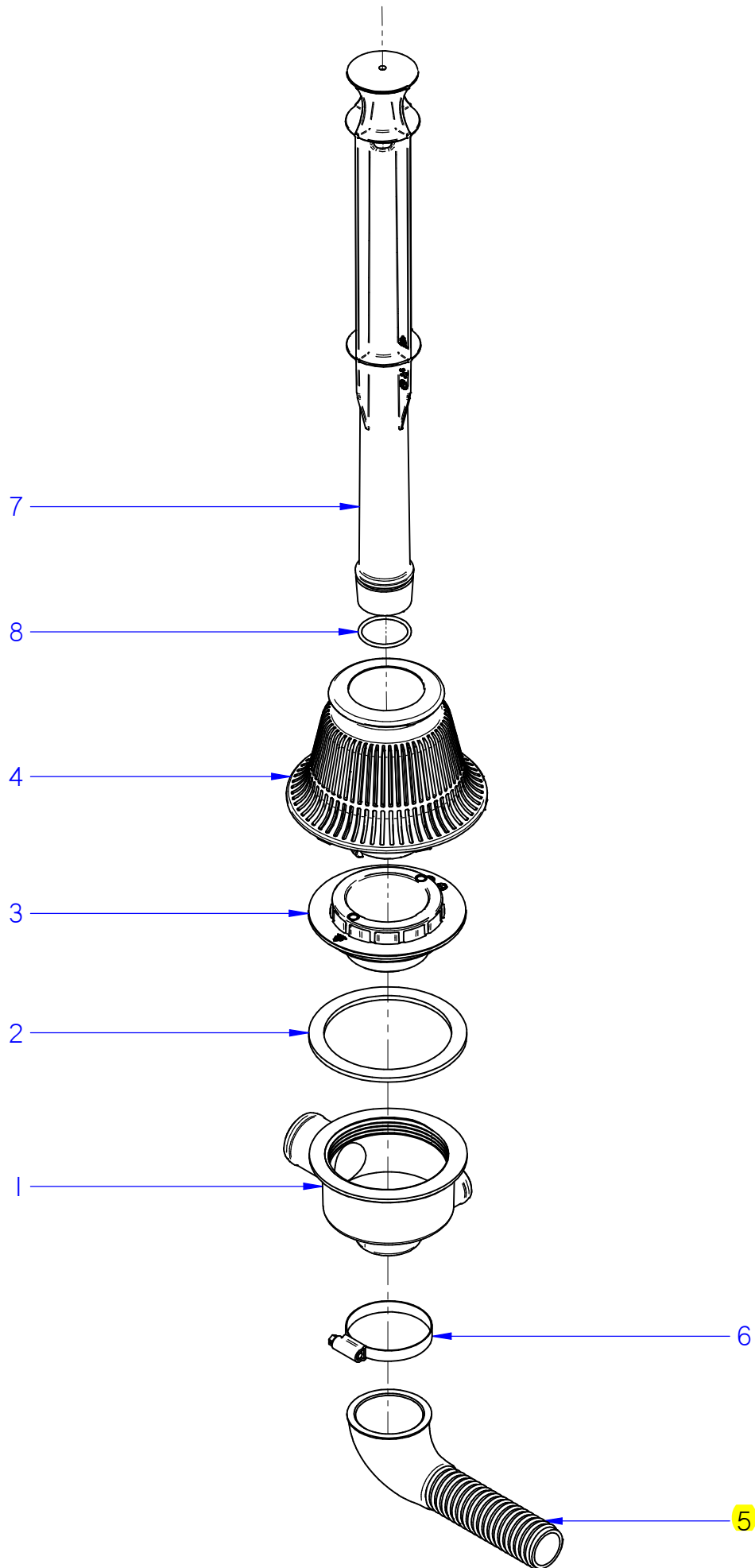
ITEM MARCADO EN COLOR = REPUESTO RECOMENDADO
 COLOURED ITEM = RECOMMENDED SPARE PART

N plano / Drawing N.	Firma / Signature	Fecha / Date	Aparato / Appliance	PARTE FUNCIONAL LAVADO / WASHING FUNCTIONAL PART	Lamina / Sheet	Fagor Industrial S.Coop. FAGOR
C-3305	Iban R.	10-2014	LAVAVAJILLAS	COP-173 DISHWASHER	3	Oñate




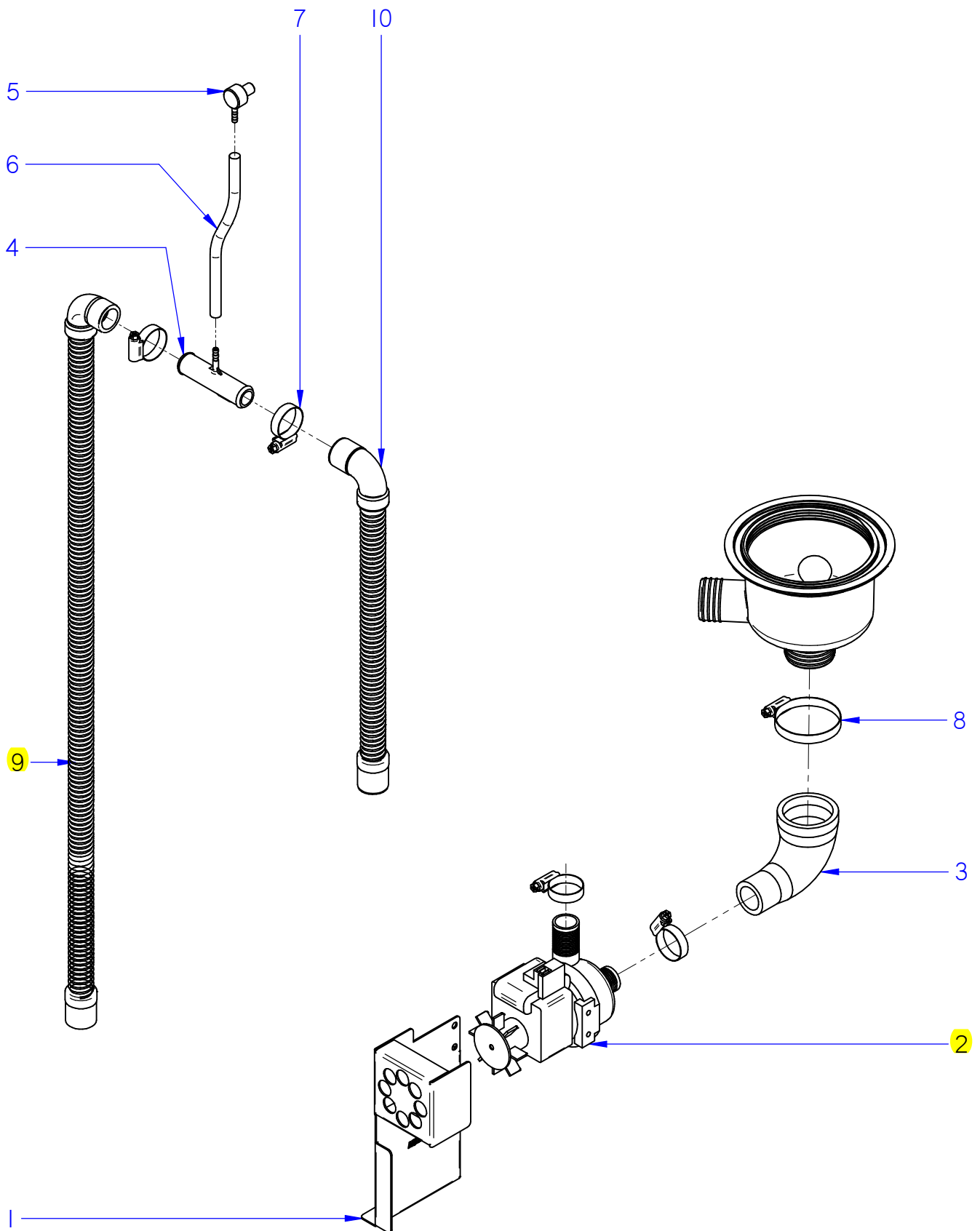
ITEM MARCADO EN COLOR = REPUESTO RECOMENDADO
 COLOURED ITEM = RECOMMENDED SPARE PART

N plano / Drawing N.	Firma / Signature	Fecha / Date	Aparato / Appliance	KIT DOSIFICADOR DETERGENTE / DETERGENT DISPENSER KIT	Lamina / Sheet	Fagor Industrial S.Coop. FAGOR
C-3307	Iban R.	10-2014	LAVAVAJILLAS COP-173 DD	DISHWASHER	5	
						Oñate



ITEM MARCADO EN COLOR = REPUESTO RECOMENDADO
 COLOURED ITEM = RECOMMENDED SPARE PART

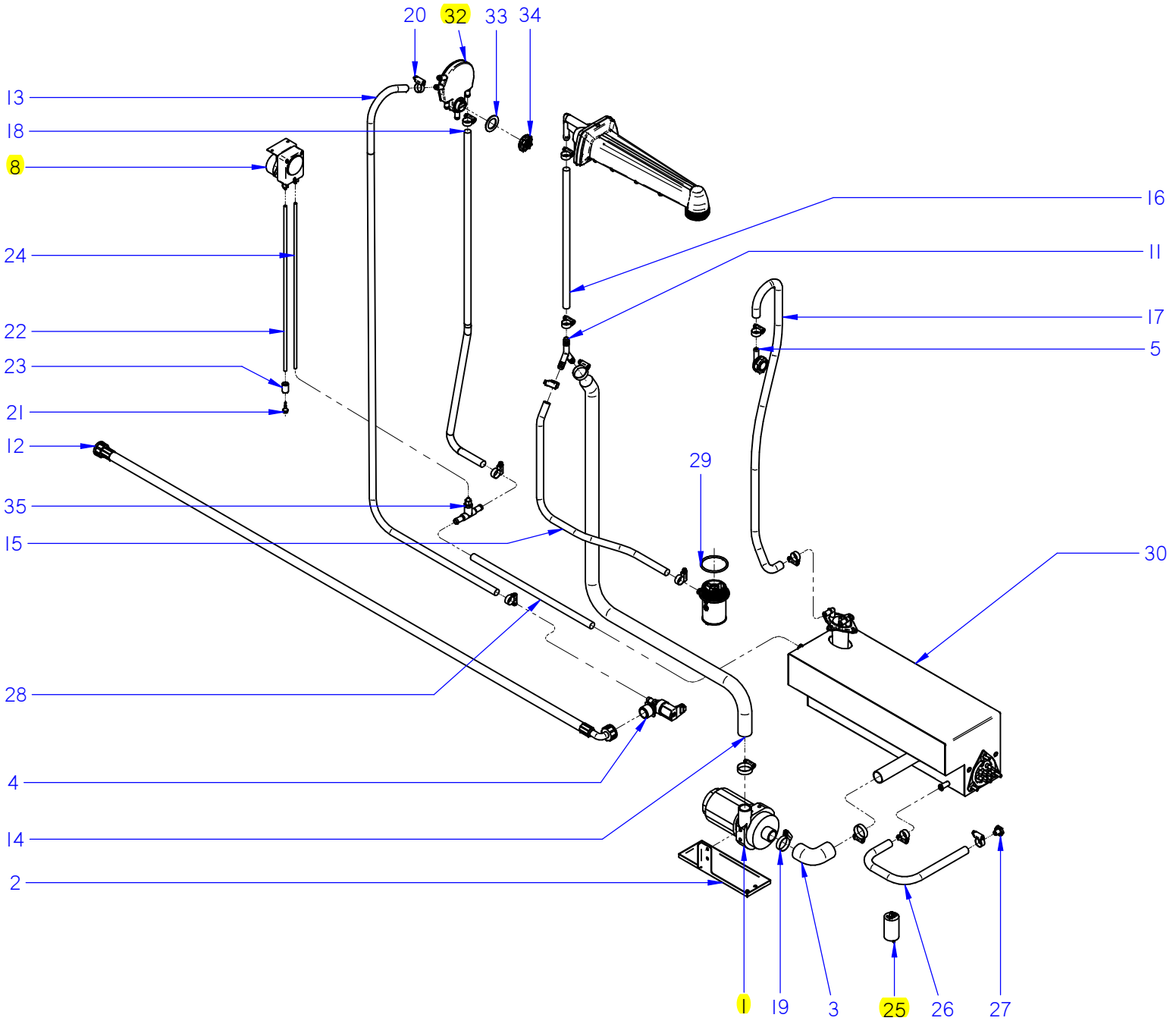
N plano / Drawing N.	Firma / Signature	Fecha / Date	Aparato / Appliance	DESAGÜE / DRAINING PART	Lamina / Sheet	Fagor Industrial S.Coop. FAGOR
C-3308	Iban R.	10-2014	LAVAVAJILLAS COP-173 DISHWASHER		6	 FAGOR
						Note



ITEM MARCADO EN COLOR = REPUESTO RECOMENDADO
 COLOURED ITEM = RECOMMENDED SPARE PART

N plano / Drawing N.	Firma / Signature	Fecha / Date	Aparato / Appliance	KIT BOMBA DESAGÜE / DRAINING PUMP KIT	Lamina / Sheet	Fagor Industrial S.Coop. FAGOR
C-3309	Iban R	10-2014	LAVAVAJILLAS COP-173 B DISHWASHER		7	Oñate

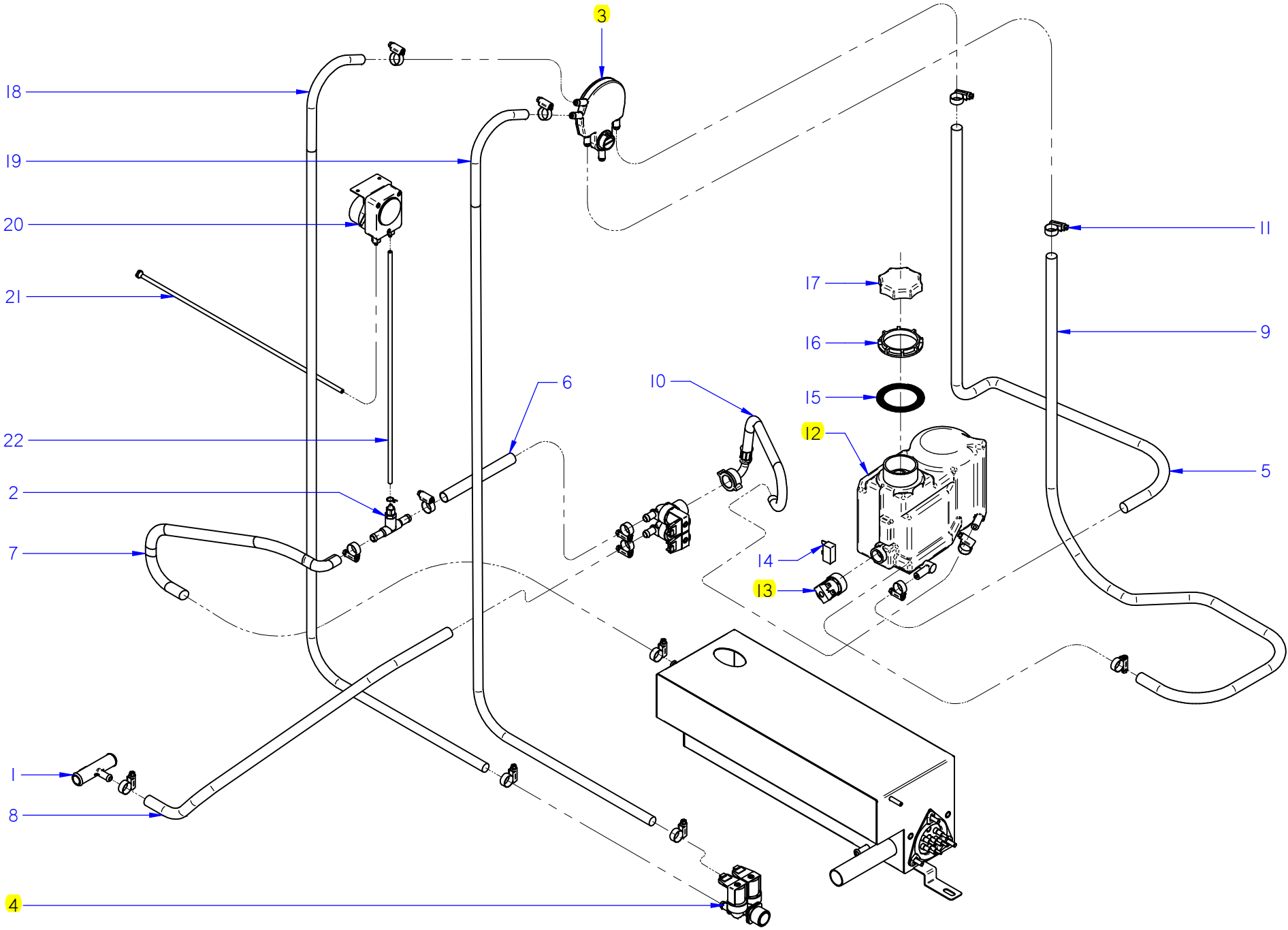
ITEM MARCADO EN COLOR = REPUESTO RECOMENDADO
 COLOURED ITEM = RECOMMENDED SPARE PART



ZONA / ZONE	PARTE FUNCIONAL ACLARADO / FUNCTIONAL RINSE PART	LÁMINA / DRAWING	C-3310	FAGOR 
-------------	--	------------------	--------	---

ITEM	REFERENCIA REFERENCE	DENOMINACIÓN	DENOMINATION	COP-173								RECOMMENDED	ELIMINADO ELIMINATED	INTRODUCIDO INTRODUCED	NOTAS / NOTES
1	12024233	BOMBA ACLARADO HANNING	HANNING RINSING PUMP	1								X			
2	12110537	SOPORTE BOMBA ACLARADO	RINSING PUMP'S SUPPORT	1											
3	12041928	CONDUCTO CALDERIN-BOMBA	BOILER-PUMP HOSE	1											
4	12095427	E.V SIMPLE 220V SALIDA A 90º	SIMPLE E.V 90º EXIT	1								X			
5	12097453	CONDUCTO AIREACION CALDERIN	BOILER VENTILATION ELBOW	1											
8	12092198	DOSIFICADOR ABRILLANTADOR	RINSE DISPENSER	1								X			
11	12023511	RACORD EN Y	"Y" SHAPED RACCORD	1											
12	12024115	MANGUERA ENTRADA AGUA	WATER SUPPLY HOSE	1											
13	12114353	TUBO WRAS	WRAS PIPE	1											
14	12046080	COND. IMPULSION ACLARADO	RINSING EXPULSION PIPE	1											
15	11000083	TUBO GOMA NEGRA D 17x10	D 17x10 BLACK RUBBER PIPE	1											
16	11000083	TUBO GOMA NEGRA D 17x10	D 17x10 BLACK RUBBER PIPE	1											
17	11000083	TUBO GOMA NEGRA D 17x10	D 17x10 BLACK RUBBER PIPE	1											
18	12114353	TUBO WRAS	WRAS PIPE	1											
19	12010023	ABRAZADERA 20-32	20-32 CLAMP	4											
20	12010036	ABRAZADERA 12-20	12-20 CLAMP	14											
21	12011355	FILTRO ASPIRACION	SUCTION FILTER	1											
22	12024139	CONDUCTO ASPIRACIÓN AZKOY	AZKOY SUCTION PIPE	1											
23	12024353	PESO FILTRO	FILTER WEIGHT	1											
24	11000079	CONDUCTO DOSIF. TRANSP 6X4	DISPENSER TRANSPARENT PIPE	1											
25	12023600	CONDENSADOR 5 µF	5 µf CONDENSER	1								X			
26	11000083	TUBO GOMA NEGRA D 17x10	BLACK RUBBER PIPE D 17x10	1											
27	12041528	TAPON M10x1.5	M10x1.5 CAP	1											
28	11000083	TUBO GOMA NEGRA D 17x10	BLACK RUBBER PIPE D 17x10	1											
29	12049052	JUNTA 53,57x3,53 SOP DISTR. INF.	53,57x3,53 O-RING	1											
30	12091690	CALDERIN RECTANGULAR	SQUARE BOILER	1											
32	12091121	AIR BREAK	AIR BREAK	1								X			
33	12091122	JUNTA AIR BREAK	AIR BREAK'S SEAL	1											
34	12104339	TUERCA AIR BREAK	AIR BREAK'S NUT	1											
35	12040714	RACOR EN T ANTIRRETORNO	T FITTING NON-RETURN	1											

ITEM MARCADO EN COLOR = REPUESTO RECOMENDADO
 COLOURED ITEM = RECOMMENDED SPARE PART



C-3312

N.º plano / Drawing N.º

Iban R.

Firma / Signature

03-2015

Fecha / Date

LAVAVAJILLAS COP-173 DISHWASHER

Aparato / Appliance

CONJUNTO ELECTRICO / ELECTRICAL PART

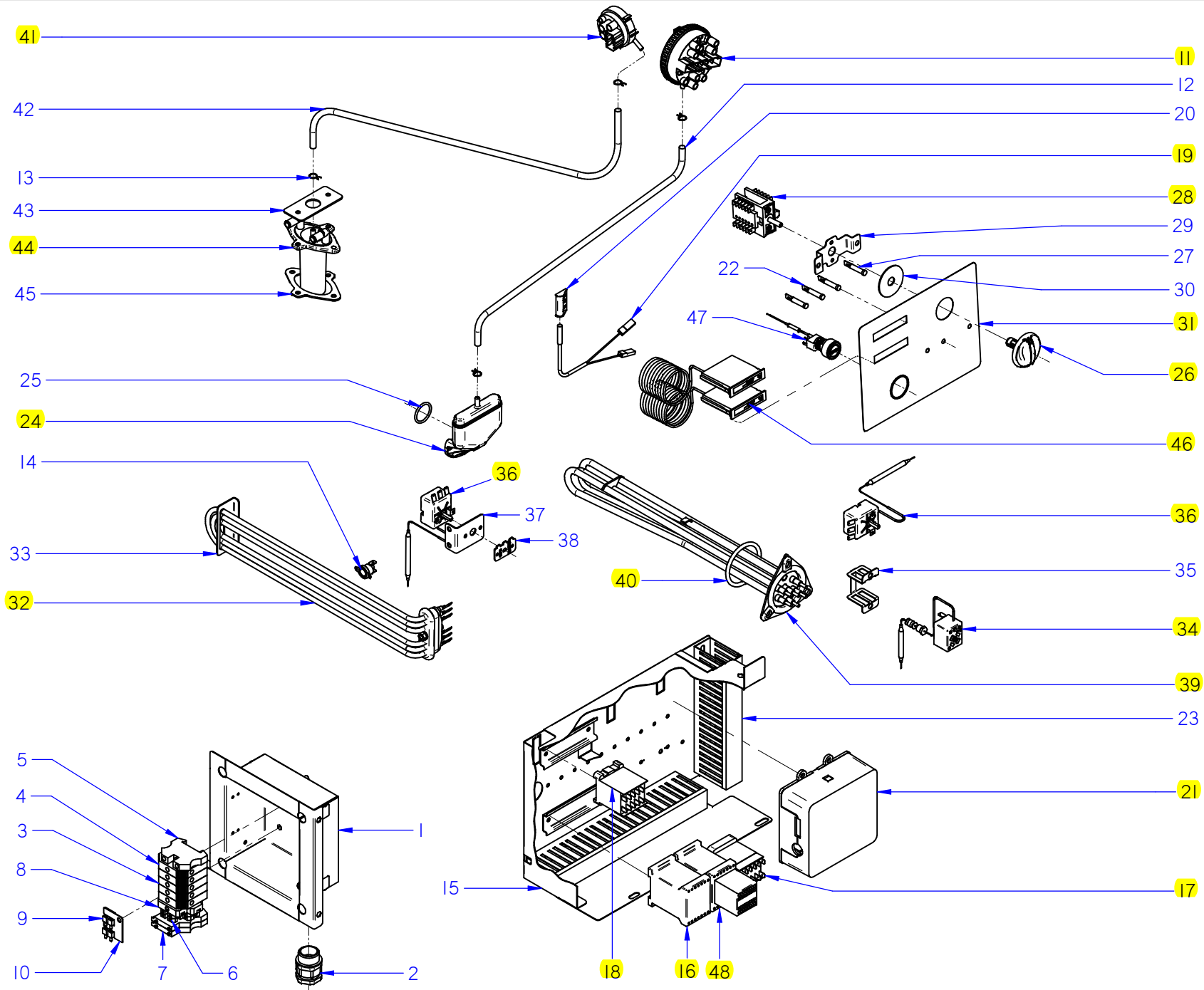
10

Lamina / Sheet

Opote

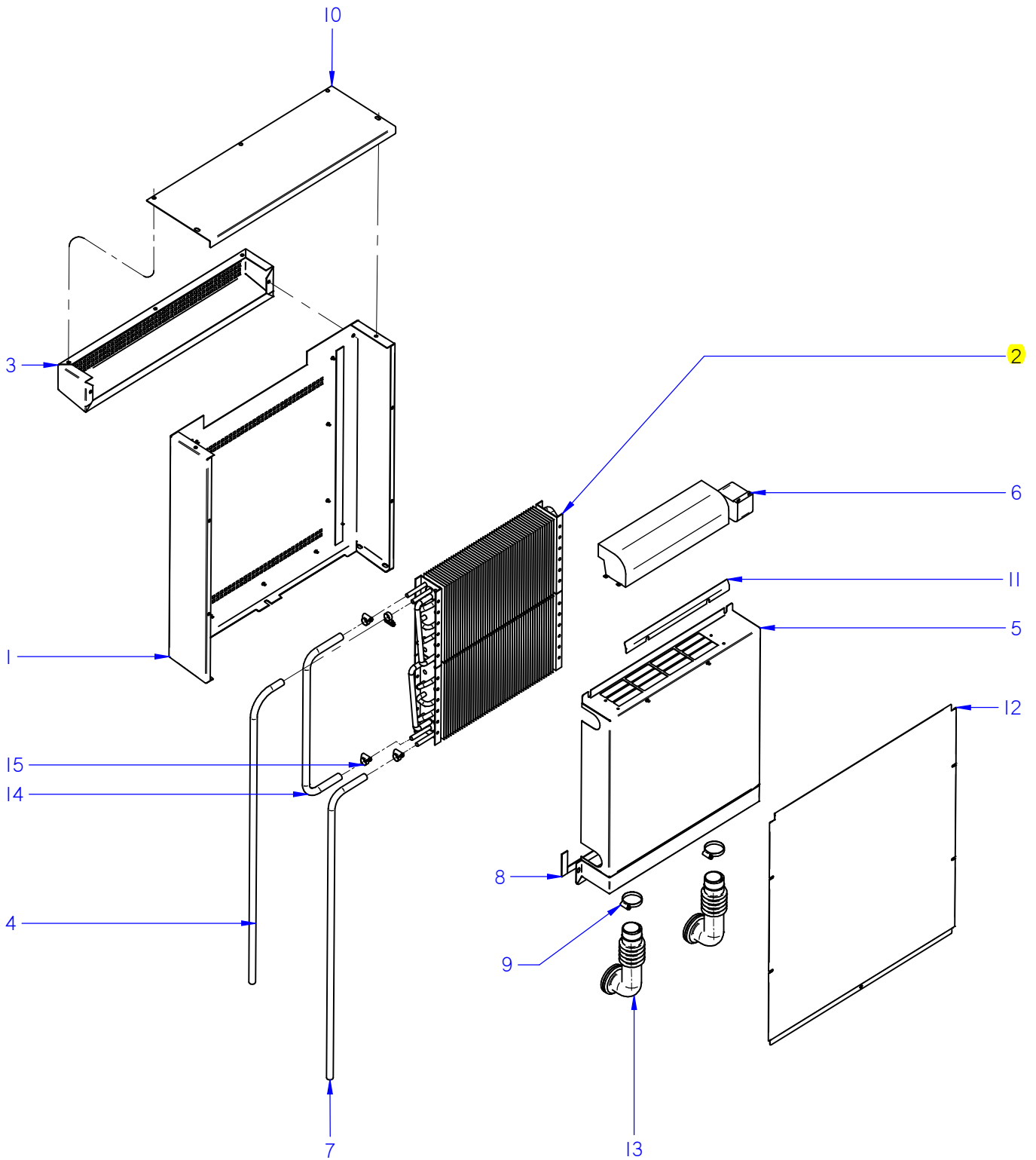
Fagor Industrial S. Coop. **FAGOR**

ITEM MARCADO EN COLOR = REPUESTO RECOMENDADO
COLOURED ITEM = RECOMMENDED SPARE PART



ZONA / ZONE	CONJUNTO ELECTRICO / ELECTRICAL PART	LÁMINA / DRAWING	C-3312	FAGOR 
--------------------	---	-------------------------	---------------	--

ITEM	REFERENCIA REFERENCE	DENOMINACIÓN	DENOMINATION	COP-173	COP-173 SOFT							RECOMMENDED	ELIMINADO ELIMINATED	INTRODUCIDO INTRODUCED	NOTAS / NOTES
1	12120601	BASE CAJA CONEXIONES	CONNECTIONS BOX BASE	1	1										
2	12009927	PRENSA ESTOPAS PG-21	PG-21 CABLE GLAND	1	1										
3	12023373	BORNES 10 WDU-10203.O	10 WDU-10203.O TERMINAL	3	3										
4	12025224	BORNA DE PASO AZUL	BLUE TERMINAL	2	2										
5	12024743	BORNE TIER 10 WPE-10103.O	EARTH TERMINAL	1	1										
6	12025180	REGLETA BORNAJE 2 PISOS	2 LEVEL CONNECTION STRIP	2	2										
7	12025158	BORNAS PORTA FUSIBLES	FUSE HOLDER TERMINALS	2	2										
8	12024199	TOPE FINAL	FINAL LIMIT	1	1										
9	12103361	CONECTOR 2 VIAS 10mm 57A	2 WAY CONNECTOR 57A	3	3										
10	12103535	SOP. CONECTORES 2 VIAS	2 WAY CONNECTOR'S SUPP.	1	1										
11	12093675	PRESOSTAT. DOBLE 125/20-190/165	125/20-190/165 PRESSURE SWITCH	1	1							X			
12	11000066	TUBO GOMA NEGRO D 8x4	D 8x4 BLACK RUBBER PIPE	1	1										
13	12023707	BRIDA ELASTICA TUBO	ELASTIC CLAMP FOR PIPES	2	2										
14	12096597	TERM. SEG. 261B 110°C FAST 90	SEC. THERM. 261B 110°C FAST 90	1	1							X			
15	12047752	BASE CUADRO ELECTRICO	ELECTRIAL PANEL'S BASE	1	1										
16	12024040	CONTACTOR 230V 4VIAS UL	230V 4WAY UL CONTACTOR	2	2							X			
17	12024011	CONTACTOR 16A 4VIA UL	16A 4VIA CONTACTOR UL	2	2							X			
18	12024012	CONTACTOR 16A 4VIA UL	16A 4VIA CONTACTOR UL	1	1							X			
19	12024477	INTERRUPTOR MAGNETICO	MAGNETIC SWITCH	1	1							X			
20	12024066	AMARRE INTERRUP. MAGNETICO	MAGNETIC SWITCH'S SUPPORT	1	1										
21	12110837	CONTROL TARJETA 5 RELES	5 RELAY CONTROL CARD	1	1							X			
22	12091434	PILOTO VERDE	GREEN PILOT	1	_										
23	11000162	CANALETA 60.30.77	60.30.77 CABLE CONDUIT	3	3										
24	12093146	CAMPANA TANQUE	TUB'S PRESSURE CHAMBER	1	1							X			
25	12093145	JUNTA TORICA CAMPANA	PRESSURE CHAMBER'S O-RING	1	1										
26	12115975	CONJUNTO MANDO CAPOTA	KNOB ASSEMBLED	1	1							X			
27	12087178	PILOTO BLANCO	WHITE PILOT	2	4										
28	12092712	CONMUTADOR 7 POSICIONES	7 POS. SWITCH FOR FUNCTIONS	1	1							X			
29	12049688	SOPORTE CONMUTADOR CONCEPT	SWITCH FOR FUNCTIONS SUPPORT	1	1										
30	12120142	JUNTA BOTÓN DE MANDO CONCEPT	KNOB CLOSE SEAL	1	1										
31	12087161	EMBELLECEDOR COP-173	COP-173 STICKER	1	_							X			
31	12092551	EMBELLECEDOR COP-173 SOFT	COP-100 STICKER	_	1							X			



ITEM MARCADO EN COLOR = REPUESTO RECOMENDADO
 COLOURED ITEM = RECOMMENDED SPARE PART

N plano / Drawing N.	Firma / Signature	Fecha / Date	Aparato / Appliance	HEAT RECOVERING SYSTEM	Lamina / Sheet	Fagor Industrial S.Coop. FAGOR
C-3313	Iban R	10-2014	LAVAVAJILLAS COP-173 HRS DISHWASHER		11	Oñate

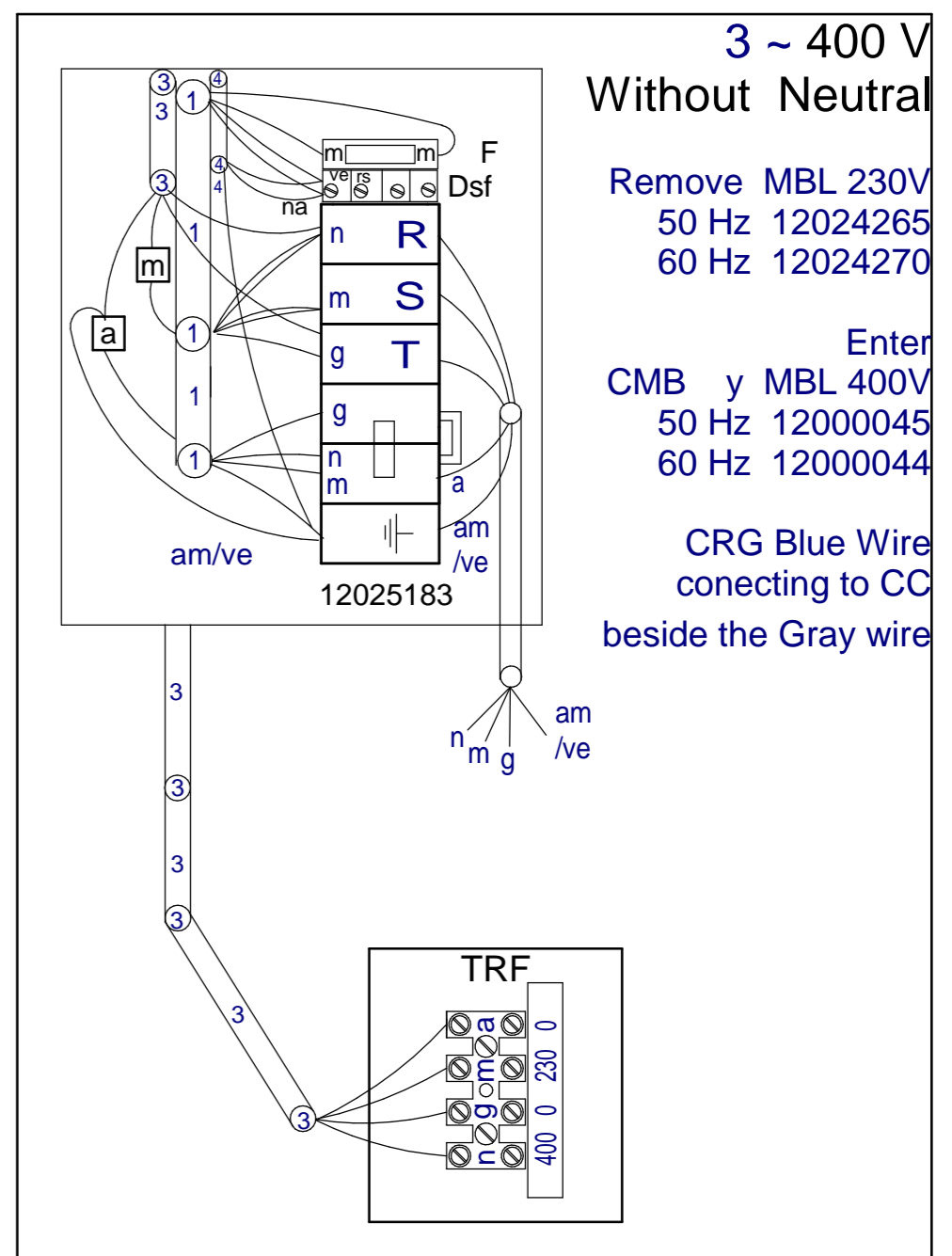
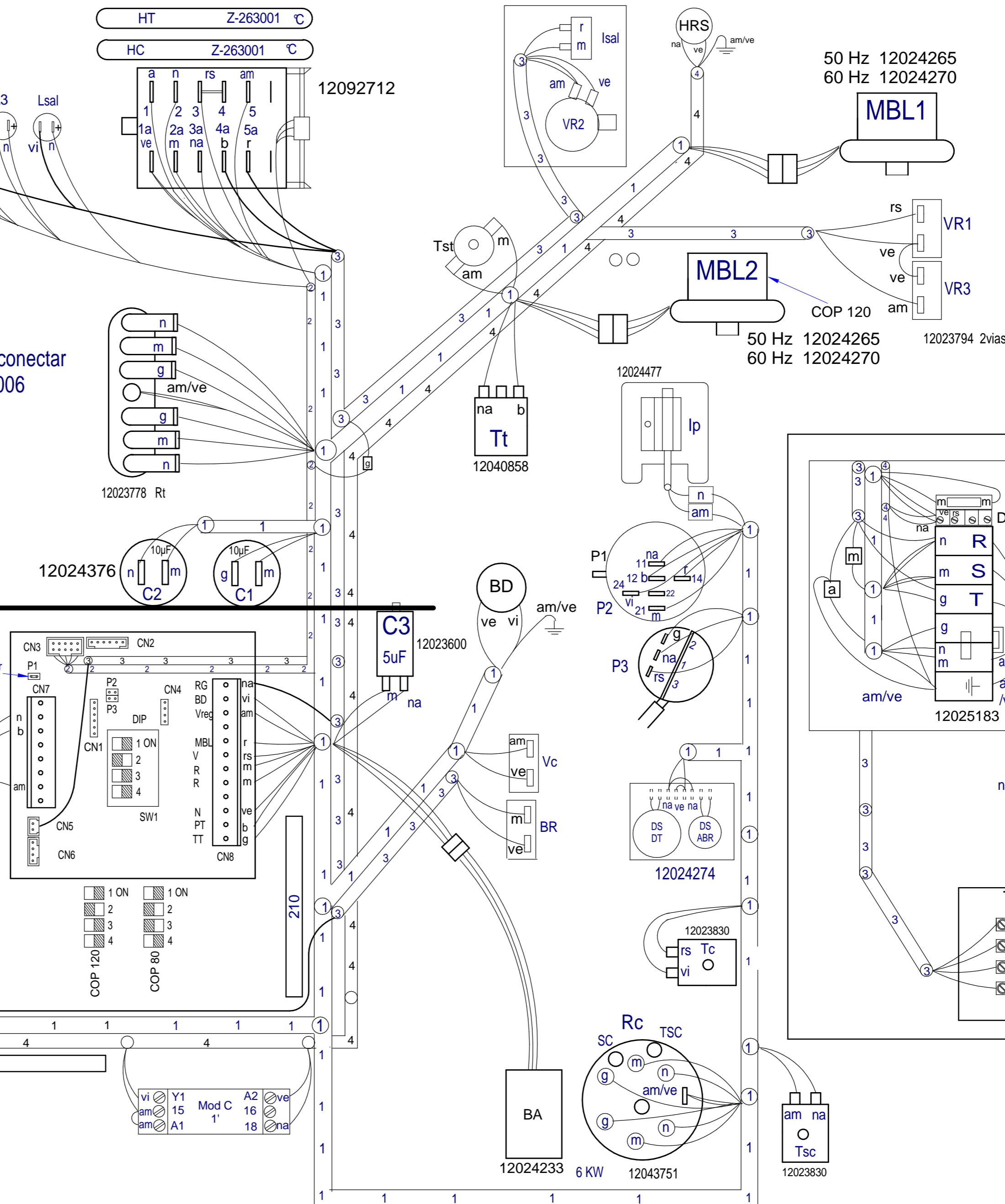
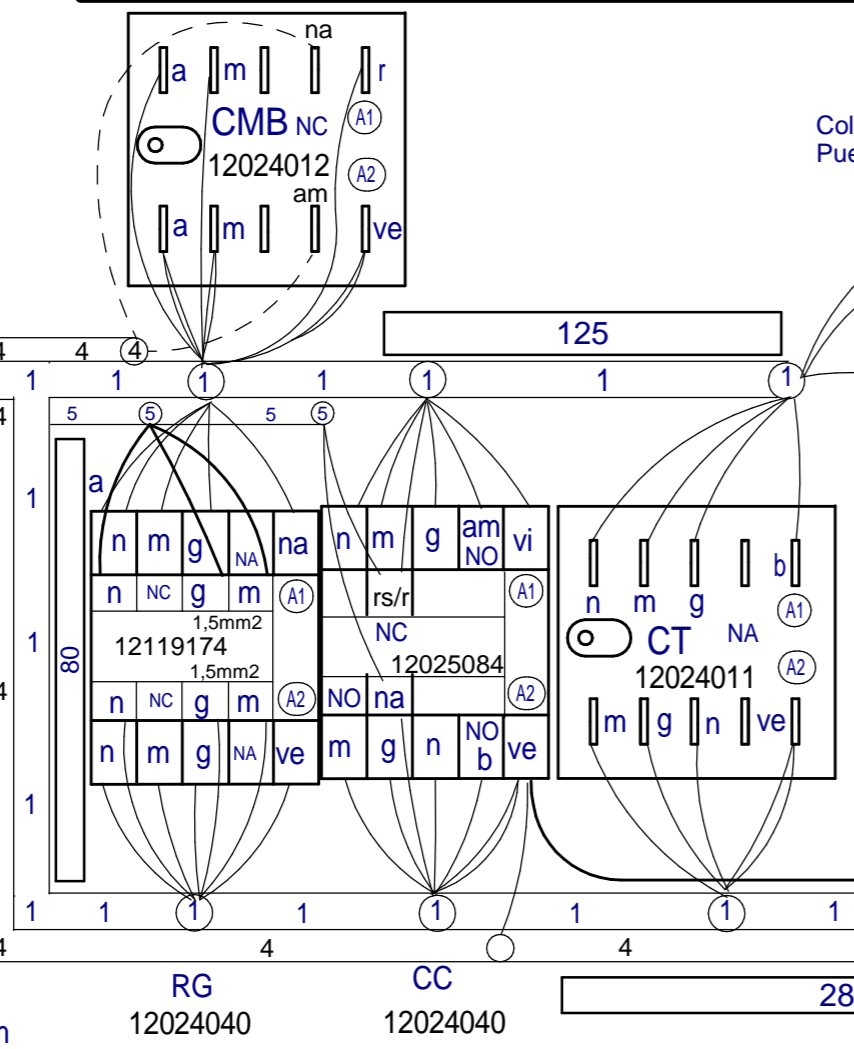
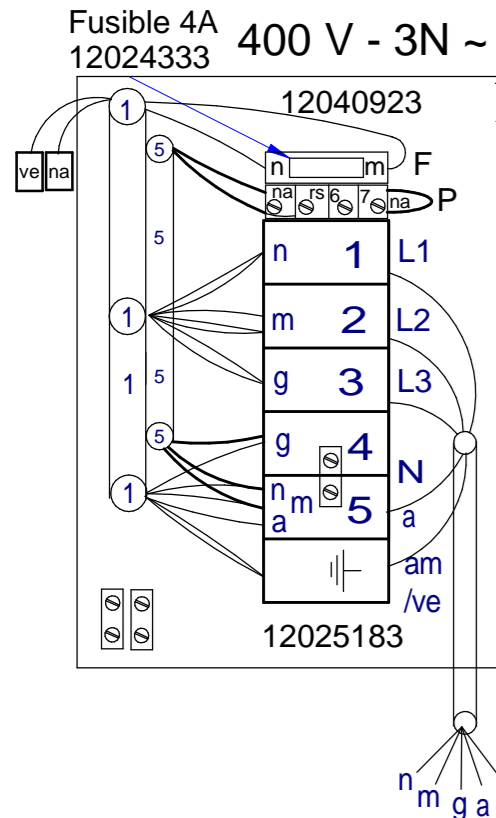
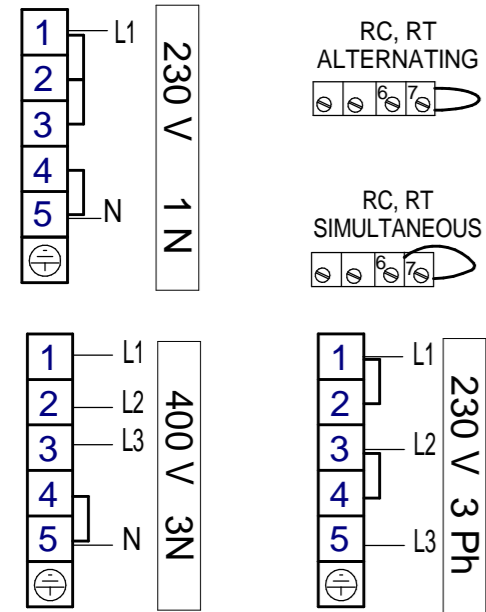
ZONA / ZONE	RECOMENDADOS / RECOMMENDED	LÁMINA / DRAWING	FAGOR 
-------------	----------------------------	------------------	---

ITEM	REFERENCIA REFERENCE	DENOMINACIÓN	DENOMINATION	COP-173	COP-173 DD	COP-173 B	COP-173 B DD	COP-173 SOFT	COP-173 HRS	COP-173 HRS DE	ELIMINADO ELIMINATED	INTRODUCIDO INTRODUCED	NOTAS / NOTES
2	12043287	MOTOBOMBA 590KW 50Hz	WASHIG PUMP 590KW 50Hz	2	2	2	2	2	2	2			C-3305
2	12102834	MOTOBOMBA 590KW 60Hz	WASHIG PUMP 590KW 60Hz	2	2	2	2	2	2	2			C-3305
7	12024376	CONDENSADOR 10MF	10MF CONDENSER	2	2	2	2	2	2	2			C-3305
1	12024216	DOSIF. DGTE REGULABLE G300	DETERG. REGUL. DISPENSER	-	1	-	1	-	-	1			C-3307
5	12024473	MANGUERA DESAGÜE	DRAINING PIPE	1	1	-	-	1	1	1			C-3308
2	12023456	BOMBA DESAGUE	DRAINING PUMP	-	-	1	1	-	-	-			C-3309
9	12041934	MANGUERA DESAGÜE	DRAINING PIPE	-	-	1	1	-	-	-			C-3309
1	12024233	BOMBA ACLARADO HANNING	HANNING RINSING PUMP	1	1	1	1	1	1	1			C-3310
4	12095427	E.V SIMPLE 220V SALIDA A 90º	SIMPLE E.V 90º EXIT	1	1	1	1	-	1	1			C-3310
8	12092198	DOSIFICADOR ABRILLANTADOR	RINSE DISPENSER	1	1	1	1	1	1	1			C-3310
25	12023600	CONDENSADOR 5 µF	5 µf CONDENSER	1	1	1	1	1	1	1			C-3310
32	12091121	AIR BREAK	AIR BREAK	1	1	1	1	1	1	1			C-3310
4	12110531	E.V.DOBLE 220/240V 50/60Hz	DOUBLE EV 220/240V 50/60Hz	-	-	-	-	2	-	-			C-3311
12	12044603	DESCALCIFICADOR COMPLETO	COMPLETE SOFTENER	-	-	-	-	1	-	-			C-3311
13	12044600	MEDIA ELECTROVÁLVULA	HALF ELECTROVALVE	-	-	-	-	1	-	-			C-3311
11	12093675	PRESOSTAT. DOBLE 125/20-190/165	125/20-190/165 PRESSURE SWITCH	1	1	1	1	1	1	1			C-3312
14	12096597	TERM. SEG. 261B 110°C FAST 90	SEC. THERM. 261B 110°C FAST 90	1	1	1	1	1	1	1			C-3312
16	12024040	CONTACTOR 230V 4VIAS UL	230V 4WAY UL CONTACTOR	2	2	2	2	2	2	2			C-3312
17	12024011	CONTACTOR 16A 4VIA UL	16A 4VIA CONTACTOR UL	2	2	2	2	2	2	2			C-3312
18	12024012	CONTACTOR 16A 4VIA UL	16A 4VIA CONTACTOR UL	1	1	1	1	1	1	1			C-3312
19	12024477	INTERRUPTOR MAGNETICO	MAGNETIC SWITCH	1	1	1	1	1	1	1			C-3312
21	12110837	CONTROL TARJETA 5 RELES	5 RELAY CONTROL CARD	1	1	1	1	1	1	1			C-3312
24	12093146	CAMPANA TANQUE	TUB'S PRESSURE CHAMBER	1	1	1	1	1	1	1			C-3312
26	12115975	CONJUNTO MANDO CAPOTA	KNOB ASSEMBLED	1	1	1	1	1	1	1			C-3312
28	12092712	CONMUTADOR 7 POSICIONES	7 POS. SWITCH FOR FUNCTIONS	1	1	1	1	1	1	1			C-3312
31	12087161	EMBELLECEDOR COP-173	COP-173 STICKER	1	1	1	1	-	1	1			C-3312
31	12092551	EMBELLECEDOR COP-173 SOFT	COP-173 STICKER	-	-	-	-	1	-	-			C-3312
32	12045886	RESISTENCIA 4,5KW TRIPLE	TRIPLE RESISTOR 4,5KW	1	1	1	1	1	1	1			C-3312
34	12023830	LIMITADOR TECASA 125°C	TECASA THERMOSTAT 125°C	1	1	1	1	1	1	1			C-3312
36	12040858	TERMOSTATO 16A 85°C 6MM	THERMOSTAT 16A 85°C 6MM	2	2	2	2	2	2	2			C-3312
39	12092825	RESIST. 12KW 400MM TRIPLE UL	12kW 400MM TRIPLE RESISTOR	1	1	1	1	1	1	1			C-3312

①	12095151
②	12095652
SOFT ③	12095173
HRS ④	12119239
Prensa estopas	12009927
Esquema teorico	12103187
Indicador de componentes	12022162
Leyenda	12103338

COP 173

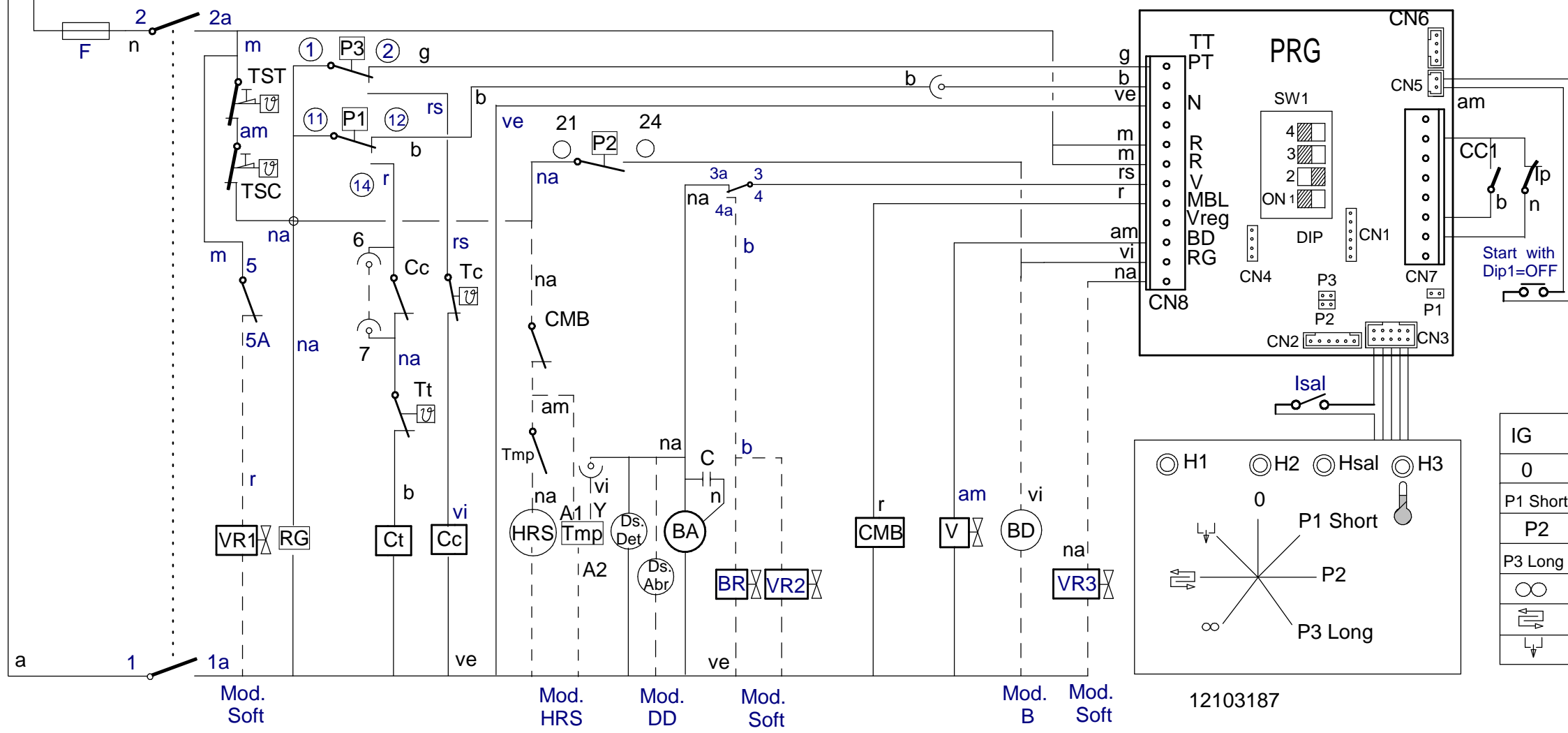
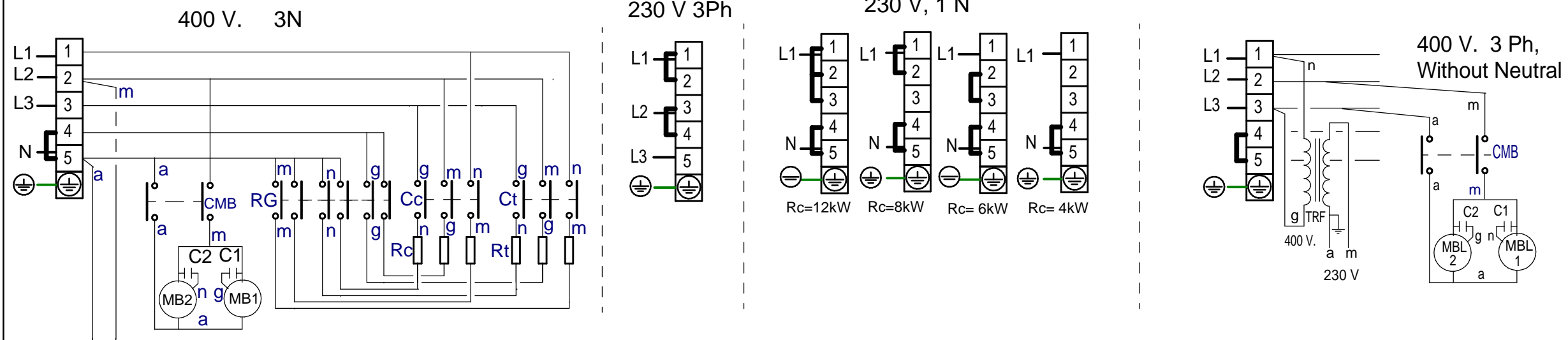
Nota: Todos los cables hembra que queden sin conectar se les colocaran una funda para macho Q-578006



- COP 173 (80, 120)		- 12048757																																																																									
Nº	TITLE	QTY	CODE	MATERIAL	TREATMENT																																																																						
GENERAL TOLERANCES: ISO 2768-1 Very Coarse																																																																											
<table border="1"> <tr> <th>LINEAR</th> <th>Fine</th> <th>Medium</th> <th>Coarse</th> <th>Very Coarse</th> <th>ANGULAR</th> <th>Fine</th> <th>Medium</th> <th>Coarse</th> <th>Very Coarse</th> </tr> <tr> <td><2mm</td> <td>±0.05</td> <td>±0.10</td> <td>±0.15</td> <td>±0.20</td> <td><10mm</td> <td>±1°</td> <td>±1°</td> <td>±1°30'</td> <td>±2°</td> </tr> <tr> <td>2-5mm</td> <td>±0.05</td> <td>±0.10</td> <td>±0.20</td> <td>±0.30</td> <td>10-50mm</td> <td>±1°</td> <td>±1°</td> <td>±2°</td> <td>±2°</td> </tr> <tr> <td>5-30mm</td> <td>±0.10</td> <td>±0.20</td> <td>±0.30</td> <td>±0.50</td> <td>50-120mm</td> <td>±2°</td> <td>±3°</td> <td>±4°</td> <td>±5°</td> </tr> <tr> <td>30-120mm</td> <td>±0.15</td> <td>±0.30</td> <td>±0.50</td> <td>±0.80</td> <td>120-400mm</td> <td>±1°</td> <td>±1°</td> <td>±1°</td> <td>±2°</td> </tr> <tr> <td>120-400mm</td> <td>±0.20</td> <td>±0.50</td> <td>±1.00</td> <td>±1.20</td> <td>400-1000mm</td> <td>±0.30</td> <td>±0.50</td> <td>±1.00</td> <td>±1.50</td> </tr> <tr> <td>1000-2000mm</td> <td>±0.50</td> <td>±1.20</td> <td>±3.00</td> <td>±3.00</td> <td>>400mm</td> <td>±5'</td> <td>±10'</td> <td>±20'</td> <td>±30'</td> </tr> </table>						LINEAR	Fine	Medium	Coarse	Very Coarse	ANGULAR	Fine	Medium	Coarse	Very Coarse	<2mm	±0.05	±0.10	±0.15	±0.20	<10mm	±1°	±1°	±1°30'	±2°	2-5mm	±0.05	±0.10	±0.20	±0.30	10-50mm	±1°	±1°	±2°	±2°	5-30mm	±0.10	±0.20	±0.30	±0.50	50-120mm	±2°	±3°	±4°	±5°	30-120mm	±0.15	±0.30	±0.50	±0.80	120-400mm	±1°	±1°	±1°	±2°	120-400mm	±0.20	±0.50	±1.00	±1.20	400-1000mm	±0.30	±0.50	±1.00	±1.50	1000-2000mm	±0.50	±1.20	±3.00	±3.00	>400mm	±5'	±10'	±20'	±30'
LINEAR	Fine	Medium	Coarse	Very Coarse	ANGULAR	Fine	Medium	Coarse	Very Coarse																																																																		
<2mm	±0.05	±0.10	±0.15	±0.20	<10mm	±1°	±1°	±1°30'	±2°																																																																		
2-5mm	±0.05	±0.10	±0.20	±0.30	10-50mm	±1°	±1°	±2°	±2°																																																																		
5-30mm	±0.10	±0.20	±0.30	±0.50	50-120mm	±2°	±3°	±4°	±5°																																																																		
30-120mm	±0.15	±0.30	±0.50	±0.80	120-400mm	±1°	±1°	±1°	±2°																																																																		
120-400mm	±0.20	±0.50	±1.00	±1.20	400-1000mm	±0.30	±0.50	±1.00	±1.50																																																																		
1000-2000mm	±0.50	±1.20	±3.00	±3.00	>400mm	±5'	±10'	±20'	±30'																																																																		
GENERAL TOLERANCE FOR FORM AND POSITION: ISO 2768-2																																																																											
LAVAVAJILLAS			DESIGNED BY	VALIDATED BY	DATE																																																																						
12048757			M.MAILLO	A.gallastegi	06.02.2013																																																																						
PROPOSED BY:			ISSUE DATE:																																																																								

SHEET FORMAT: A2
DESIGN CENTER: ONA
MAT STATUS:
DOC STATUS:
SHEET: 1 / 1
SCALE:

COP 173, B, DD, HRS, SOFT, MARINE



IG	1a	2a	3-4	5
0				
P1 Short	X	X	X	X
P2	X	X	X	X
P3 Long	X	X	X	X
∞	X	X	X	X
↔	X	X	X	X
⌋	X	X	X	X

-	ESQUEMA TEORICO COP 173, B, HRS, MARINE	-	12103187																																																																							
Nº	TITLE	QTY	CODE	MATERIAL	TREATMENT																																																																					
GENERAL TOLERANCES:		ISO 2768-1		Very Coarse																																																																						
	<table border="1"> <thead> <tr> <th></th> <th>Fine</th> <th>Medium</th> <th>Coarse</th> <th>Very Coarse</th> </tr> </thead> <tbody> <tr> <td><3mm</td> <td>±0.05</td> <td>±0.10</td> <td>±0.15</td> <td>±0.20</td> </tr> <tr> <td>3-6mm</td> <td>±0.05</td> <td>±0.10</td> <td>±0.20</td> <td>±0.30</td> </tr> <tr> <td>6-30mm</td> <td>±0.10</td> <td>±0.20</td> <td>±0.50</td> <td>±1.00</td> </tr> <tr> <td>30-120mm</td> <td>±0.15</td> <td>±0.30</td> <td>±0.80</td> <td>±1.20</td> </tr> <tr> <td>120-400mm</td> <td>±0.20</td> <td>±0.50</td> <td>±2.00</td> <td>±3.00</td> </tr> <tr> <td>400-1000mm</td> <td>±0.30</td> <td>±0.80</td> <td>±2.00</td> <td>±3.00</td> </tr> <tr> <td>1000-2000mm</td> <td>±0.50</td> <td>±1.20</td> <td>±3.00</td> <td>±5.00</td> </tr> </tbody> </table>		Fine	Medium	Coarse	Very Coarse	<3mm	±0.05	±0.10	±0.15	±0.20	3-6mm	±0.05	±0.10	±0.20	±0.30	6-30mm	±0.10	±0.20	±0.50	±1.00	30-120mm	±0.15	±0.30	±0.80	±1.20	120-400mm	±0.20	±0.50	±2.00	±3.00	400-1000mm	±0.30	±0.80	±2.00	±3.00	1000-2000mm	±0.50	±1.20	±3.00	±5.00	<table border="1"> <thead> <tr> <th></th> <th>Fine</th> <th>Medium</th> <th>Coarse</th> <th>Very Coarse</th> </tr> </thead> <tbody> <tr> <td><10mm</td> <td>±1°</td> <td>±1°30'</td> <td>±2°</td> <td>±3°</td> </tr> <tr> <td>10-50mm</td> <td>±30'</td> <td>±1°</td> <td>±1°</td> <td>±2°</td> </tr> <tr> <td>50-120mm</td> <td>±20'</td> <td>±30'</td> <td>±30'</td> <td>±1°</td> </tr> <tr> <td>120-400mm</td> <td>±10'</td> <td>±15'</td> <td>±30'</td> <td>±1°</td> </tr> <tr> <td>>400mm</td> <td>±5'</td> <td>±10'</td> <td>±20'</td> <td>±30'</td> </tr> </tbody> </table>		Fine	Medium	Coarse	Very Coarse	<10mm	±1°	±1°30'	±2°	±3°	10-50mm	±30'	±1°	±1°	±2°	50-120mm	±20'	±30'	±30'	±1°	120-400mm	±10'	±15'	±30'	±1°	>400mm	±5'	±10'	±20'	±30'		
	Fine	Medium	Coarse	Very Coarse																																																																						
<3mm	±0.05	±0.10	±0.15	±0.20																																																																						
3-6mm	±0.05	±0.10	±0.20	±0.30																																																																						
6-30mm	±0.10	±0.20	±0.50	±1.00																																																																						
30-120mm	±0.15	±0.30	±0.80	±1.20																																																																						
120-400mm	±0.20	±0.50	±2.00	±3.00																																																																						
400-1000mm	±0.30	±0.80	±2.00	±3.00																																																																						
1000-2000mm	±0.50	±1.20	±3.00	±5.00																																																																						
	Fine	Medium	Coarse	Very Coarse																																																																						
<10mm	±1°	±1°30'	±2°	±3°																																																																						
10-50mm	±30'	±1°	±1°	±2°																																																																						
50-120mm	±20'	±30'	±30'	±1°																																																																						
120-400mm	±10'	±15'	±30'	±1°																																																																						
>400mm	±5'	±10'	±20'	±30'																																																																						
DESIGNED BY: M.MAILLO		VALIDATED BY: X.Iruretagoyena		DATE: 05.02.2014																																																																						
SHEET: 1 / 1		SCALE:																																																																								
12103187		LAVAVAJILLAS		PROPOSED BY: M.MAILLO																																																																						
		REVISION		ISSUE DATE:																																																																						

