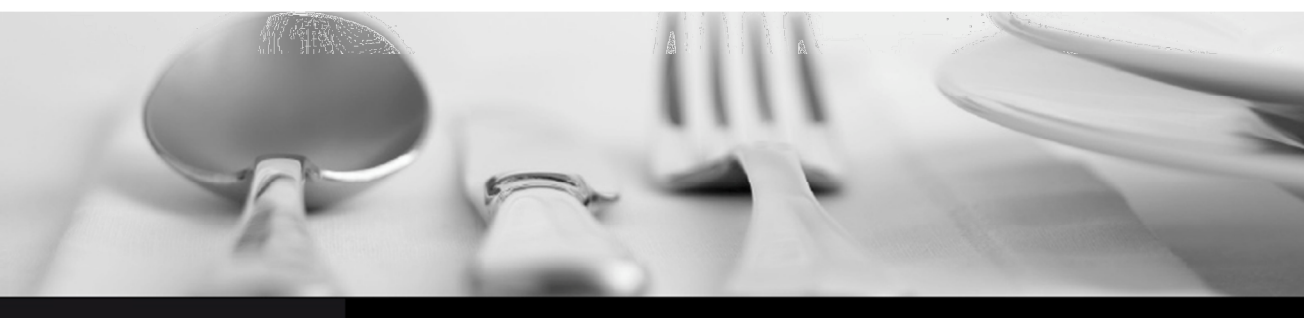


DESPIECE TÉCNICO TECHNICAL PARTS

Lavavajillas
Dishwasher

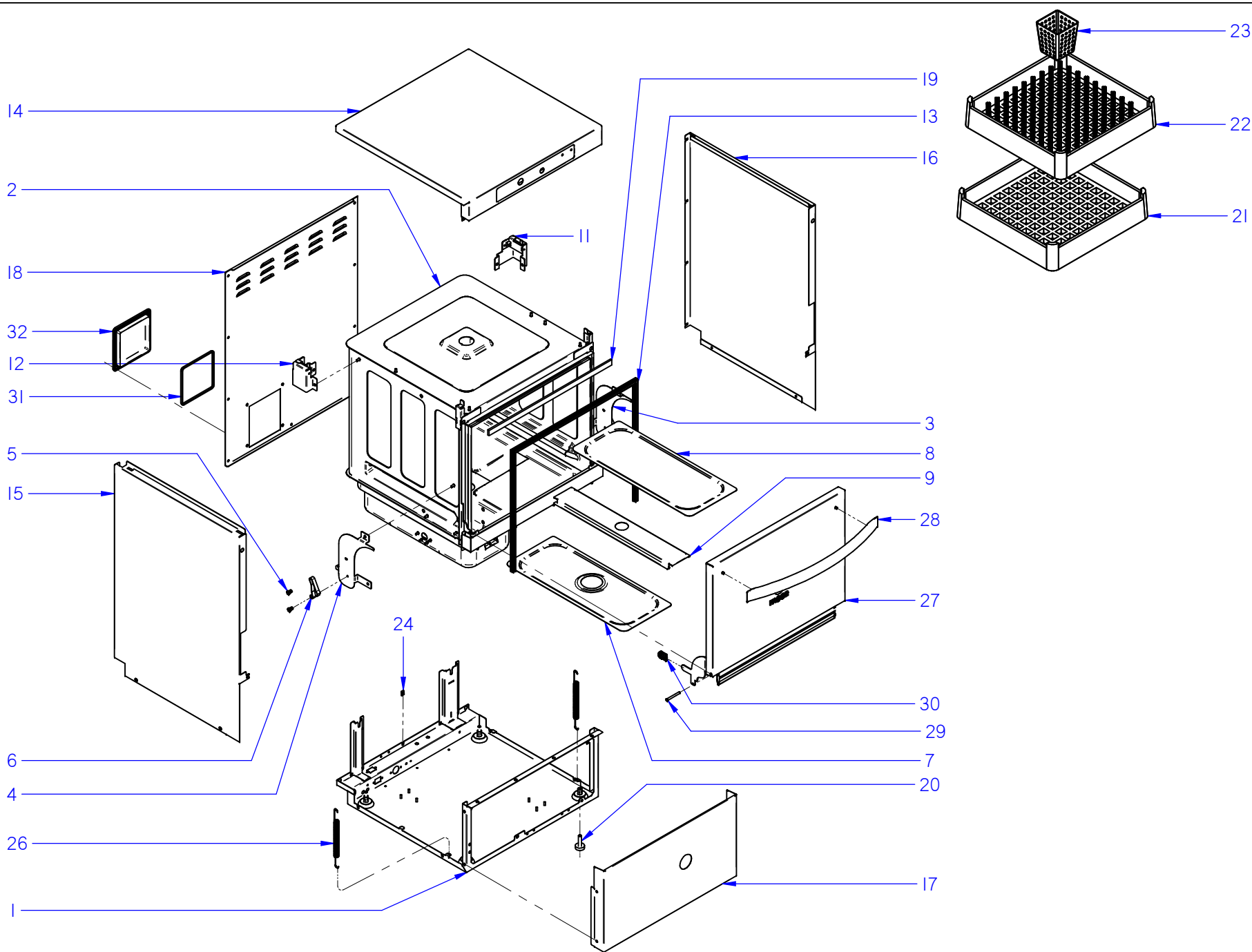
MODELS
CO-502W

Febrero 2015 February
Revisado Febrero 2015 February Revised



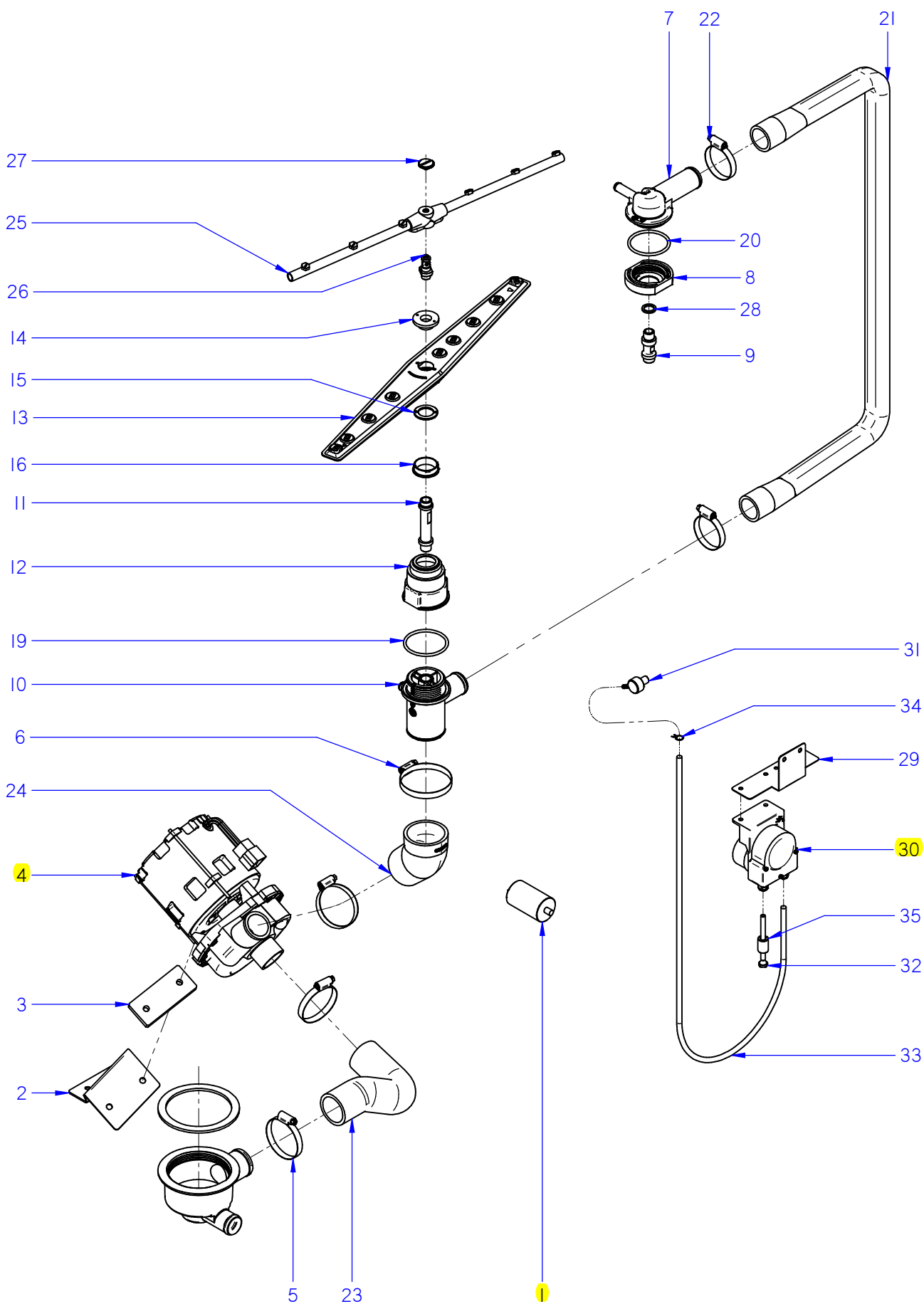
N.º plano / Drawing N.º: **C-3380**
 Firma / Signature: **Iban R.**
 Fecha / Date: **2015-02**
 Aparato / Appliance: **LAVAVAJILLAS CO-502W DISHWASHER**
 ARMAZÓN / FRAME
 Laminas / Sheet: **1**
 Fogor Industrial S. Coop. **FAGOR**
 Oparte

**ITEM MARCADO EN COLOR = REPUESTO RECOMENDADO
 COLOURED ITEM = RECOMMENDED SPARE PART**



| ZONA / ZONE | ARMAZON / FRAME | LÁMINA / DRAWING | C-3380 | FAGOR  |
|-------------|-----------------|------------------|--------|---|
|-------------|-----------------|------------------|--------|---|

| ITEM | REFERENCIA REFERENCE | DENOMINACIÓN | DENOMINATION | CO-502W | | | | | | | | RECOMMENDED | ELIMINADO ELIMINATED | INTRODUCIDO INTRODUCED | NOTAS / NOTES |
|------|-------------------------|-------------------------------|-----------------------------|---------|--|--|--|--|--|--|--|-------------|-------------------------|---------------------------|---------------|
| 1 | 12097740 | CONJUNTO_BASE_ARMAZON_AF | BASE FRAME COMPLETE | 1 | | | | | | | | | | | |
| 2 | 12049291 | CAJA SOLDADA CONCEPT | WELDED TUB CONCEPT | 1 | | | | | | | | | | | |
| 3 | 12043455 | SOPORTE RESORTE PUERTA DCHA | DOOR SPRING RIGHT SUPPORT | 1 | | | | | | | | | | | |
| 4 | 12043457 | SOPORTE RESORTE PUERTA IZDA | DOOR SPRING LEFT SUPPORT | 1 | | | | | | | | | | | |
| 5 | 12043554 | EJE RESORTE | SPRING SHAFT | 4 | | | | | | | | | | | |
| 6 | 12043429 | RESORTE PUERTA | DOOR SPRING | 2 | | | | | | | | | | | |
| 7 | 12109967 | BANDEJA FILTRO ALIVIADERO | SPILLWAY FILTER TRAY | 1 | | | | | | | | | | | |
| 8 | 12109964 | BANDEJA CONCEPT LISA (DCHA.) | CONCEPT FLAT TRAY (RIGHT) | 1 | | | | | | | | | | | |
| 9 | 12098244 | SOPORTE CENTRAL BANDEJAS | CENTRAL TRAYS SUPPORT | 1 | | | | | | | | | | | |
| 11 | 12103774 | SUJECIÓN PANEL LATERAL DCHO. | RIGHT SIDE PANEL FASTENING | 1 | | | | | | | | | | | |
| 12 | 12103787 | SUJECIÓN PANEL LATERAL IZDO. | LEFT SIDE PANEL FASTENING | 1 | | | | | | | | | | | |
| 13 | 12049352 | BURLETE APERTURA FRONTAL | FRONT LOADING GASKET | 1 | | | | | | | | | | | |
| 14 | 12113950 | TAPA PORTAMANDOS W | CONTROL PANEL COVER W | 1 | | | | | | | | | | | |
| 15 | 12122224 | PANEL LATERAL IZDO | LEFT SIDE PANEL | 1 | | | | | | | | | | | |
| 16 | 12122222 | PANEL LATERAL DCHO | RIGHT SIDE PANEL | 1 | | | | | | | | | | | |
| 17 | 12114411 | PANEL FRONTAL W | FRONT PANEL W | 1 | | | | | | | | | | | |
| 18 | 12120613 | PANEL POSTERIOR ADVANCE | REAR PANEL ADVANCE | 1 | | | | | | | | | | | |
| 19 | 12111378 | ESPUMA CIERRE TAPA PORTAMAND. | CTRL. P. COVER CLOSURE FOAM | 1 | | | | | | | | | | | |
| 20 | 12024163 | PATA REGULABLE | REGULABLE FEET | 4 | | | | | | | | | | | |
| 21 | 12025011 | CESTILLO BASE CT-10 | CT-10 BASE BASKET | 1 | | | | | | | | | | | |
| 22 | 12024990 | CESTILLO PLATOS CP-16-18 | CP-16-18 PLATES BASKET | 1 | | | | | | | | | | | |
| 23 | 12023745 | CESTILLO CUBIERTOS | CUTLERY BASKET | 4 | | | | | | | | | | | |
| 24 | 12087215 | TUERCA RÁPIDA M5 MIKALOR | MIKALOR QUICK NUT M5 | 19 | | | | | | | | | | | |
| 26 | 12097279 | MUELLE APERTURA FRONTAL | FRONT LOADING SPRING | 2 | | | | | | | | | | | |
| 27 | 12097227 | PUERTA COMPLETA | COMPLETE DOOR | 1 | | | | | | | | | | | |
| 28 | 12049466 | ASA PUERTA | DOOR HANDLE | 1 | | | | | | | | | | | |
| 29 | 12048418 | TORN_ESPECIAL_EJE_PUERTA_M6 | DOOR AXIS SPECIAL SCREW M-6 | 2 | | | | | | | | | | | |
| 30 | 12047927 | TOPE BISAGRA | HINGE DOORSTOP | 2 | | | | | | | | | | | |
| 31 | 12096947 | JUNTA TAPA | COVER'S SEAL | 1 | | | | | | | | | | | |
| 32 | 12095220 | TAPA PLASTICO CAJA CONEXIONES | CONNECTIONS BOX COVER | 1 | | | | | | | | | | | |
| | | | | | | | | | | | | | | | |
| | | | | | | | | | | | | | | | |

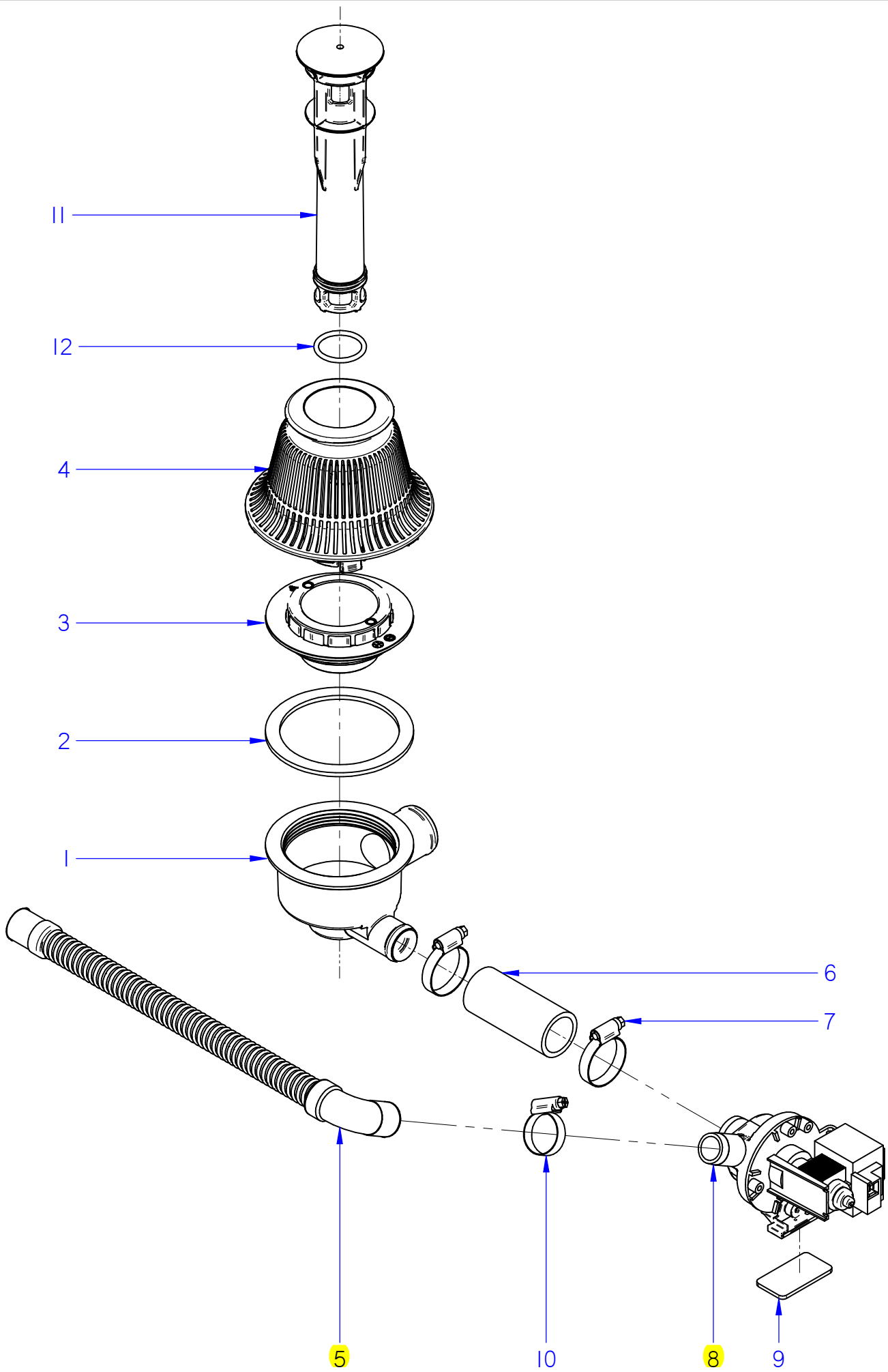


ITEM MARCADO EN COLOR = REPUESTO RECOMENDADO
 COLOURED ITEM = RECOMMENDED SPARE PART


| | | | | | | |
|----------------------|-------------------|--------------|----------------------|--|----------------|---------------------------------------|
| N plano / Drawing N. | Firma / Signature | Fecha / Date | Aparato / Appliance | PARTE FUNCIONAL LAVADO / WASHING FUNCTIONAL PART | Lamina / Sheet | Fagor Industrial S.Coop. FAGOR |
| C-3381 | Iban R | 02-2015 | LAVAVAJILLAS CO-502W | DISHWASHER | 2 | Oñate |

| | | | | |
|-------------|--|------------------|--------|---|
| ZONA / ZONE | PARTE FUNCIONAL LAVADO / WASHING FUNCTIONAL PART | LÁMINA / DRAWING | C-3381 | FAGOR  |
|-------------|--|------------------|--------|---|

| ITEM | REFERENCIA REFERENCE | DENOMINACIÓN | DENOMINATION | CO-502W | | | | | | | RECOMMENDED | ELIMINADO ELIMINATED | INTRODUCIDO INTRODUCED | NOTAS / NOTES |
|------|-------------------------|----------------------------------|------------------------------------|---------|--|--|--|--|--|--|-------------|-------------------------|---------------------------|---------------|
| 1 | 12024376 | CONDENSADOR 10MF | 10MF CAPACITOR | 1 | | | | | | | X | | | |
| 2 | 12043784 | SOPORTE BOMBA LAVADO | WASHIG PUMP SUPPORT | 1 | | | | | | | | | | |
| 3 | 12023556 | BASE BOMBA LAVADO 1003016 | WASHIG PUMP BASE 1003016 | 1 | | | | | | | | | | |
| 4 | 12102834 | MOTOBOMBA 590KW 60Hz | WASHIG PUMP 590KW 60Hz | 1 | | | | | | | X | | | |
| 5 | 12009962 | ABRAZADERA 40-60 | 40-60 CLAMP | 3 | | | | | | | | | | |
| 6 | 12009933 | ABRAZADERA 50-70L | 50-70L CLAMP | 1 | | | | | | | | | | |
| 7 | 12041614 | SOP. DISTRIBUIDOR SUPERIOR | UPPER SPRY-ARM SUPPORT | 1 | | | | | | | | | | |
| 8 | 12041531 | AMARRE SOPORTE DISTR. SUPERIOR | UPPER DISTRIB. SUPPORT FASTENINC | 1 | | | | | | | | | | |
| 9 | 12043289 | EJE LAVADO FRONTAL | WASHING SHAFT FRONT LOADING | 1 | | | | | | | | | | |
| 10 | 12047863 | SOP. DISTRIBUIDOR INFERIOR | LOWER SPRY-ARM SUPPORT | 1 | | | | | | | | | | |
| 11 | 12048535 | EJE LAVADO AF CONCEPT | WASHING SHAFT FRONT LOADING | 1 | | | | | | | | | | |
| 12 | 12048042 | AMARRE SOPORTE DISTR. INFERIOR | LOW. DISTRIB. SUPPORT FASTENING | 1 | | | | | | | | | | |
| 13 | 12025122 | DISTRIBUIDOR MONTADO | COMPLETE DISTRIBUTOR | 2 | | | | | | | | | | |
| 14 | 12110631 | ENGANCHE DISTRIBUIDOR LATON | LATON DISTRIBUTOR HOOK | 2 | | | | | | | | | | |
| 15 | 12024289 | AMARRE ENGANCHE DISTRIBUI | DISTRIBUTOR HOOK FASTENING | 2 | | | | | | | | | | |
| 16 | 12041629 | PROTECTOR FUGAS | LEAKAGE PROTECTOR | 2 | | | | | | | | | | |
| 19 | 12049052 | JUNTA 53,57x3,53 SOP DISTRI INFE | O-RING Ø53,57 x 3,53 LOW. DISTRIB. | 1 | | | | | | | | | | |
| 20 | 12049055 | JUNTA TORICA Ø50,39 x 3,53 | O-RING Ø50,39 x 3,53 | 1 | | | | | | | | | | |
| 21 | 12041930 | ARBOL LAVADO | WASHING TREE | 1 | | | | | | | | | | |
| 22 | 12009986 | ABRAZADERA 32-50L | 32-50L CLAMP | 2 | | | | | | | | | | |
| 23 | 12103941 | CODO ASPIRACION CONCEPT | SUCTION ELBOW ADVANCE | 1 | | | | | | | | | | |
| 24 | 12041926 | CODO IMPULSION CONCEPT | EXPULSION ELBOW ADVANCE | 1 | | | | | | | | | | |
| 25 | 12111791 | RAMA ACLARADO CONCEPT EVO | RINSE BRANCH CONCEPT EVO | 2 | | | | | | | | | | |
| 26 | 12113893 | EJE ACLARADO CONCEPT EVO | RINSE SHAFT CONCEPT EVO | 2 | | | | | | | | | | |
| 27 | 12009829 | TORNILLO ESPECIAL M.5X0.8 | SPECIAL SCREW M.5X0.8 | 2 | | | | | | | | | | |
| 28 | 12115944 | CALZO EJE LAVADO | WASHING SHAFT SHIM | 1 | | | | | | | | | | |
| | | | | | | | | | | | | | | |
| | | | | | | | | | | | | | | |
| | | | | | | | | | | | | | | |
| | | | | | | | | | | | | | | |
| | | | | | | | | | | | | | | |
| | | | | | | | | | | | | | | |
| | | | | | | | | | | | | | | |



ITEM MARCADO EN COLOR = REPUESTO RECOMENDADO
 COLOURED ITEM = RECOMMENDED SPARE PART

| | | | | | | |
|----------------------|-------------------|--------------|----------------------------------|-------------------------|----------------|---|
| N plano / Drawing N. | Firma / Signature | Fecha / Date | Aparato / Appliance | DESAGÜE / DRAINING PART | Lamina / Sheet | Fagor Industrial S.Coop. FAGOR |
| C-3382 | Iban R | 02-2015 | LAVAVAJILLAS COP-502W DISHWASHER | | 3 |  |
| | | | | | | Oñate |

N plano / Drawing N.
C-3383

Firma /
Signature
Iban R

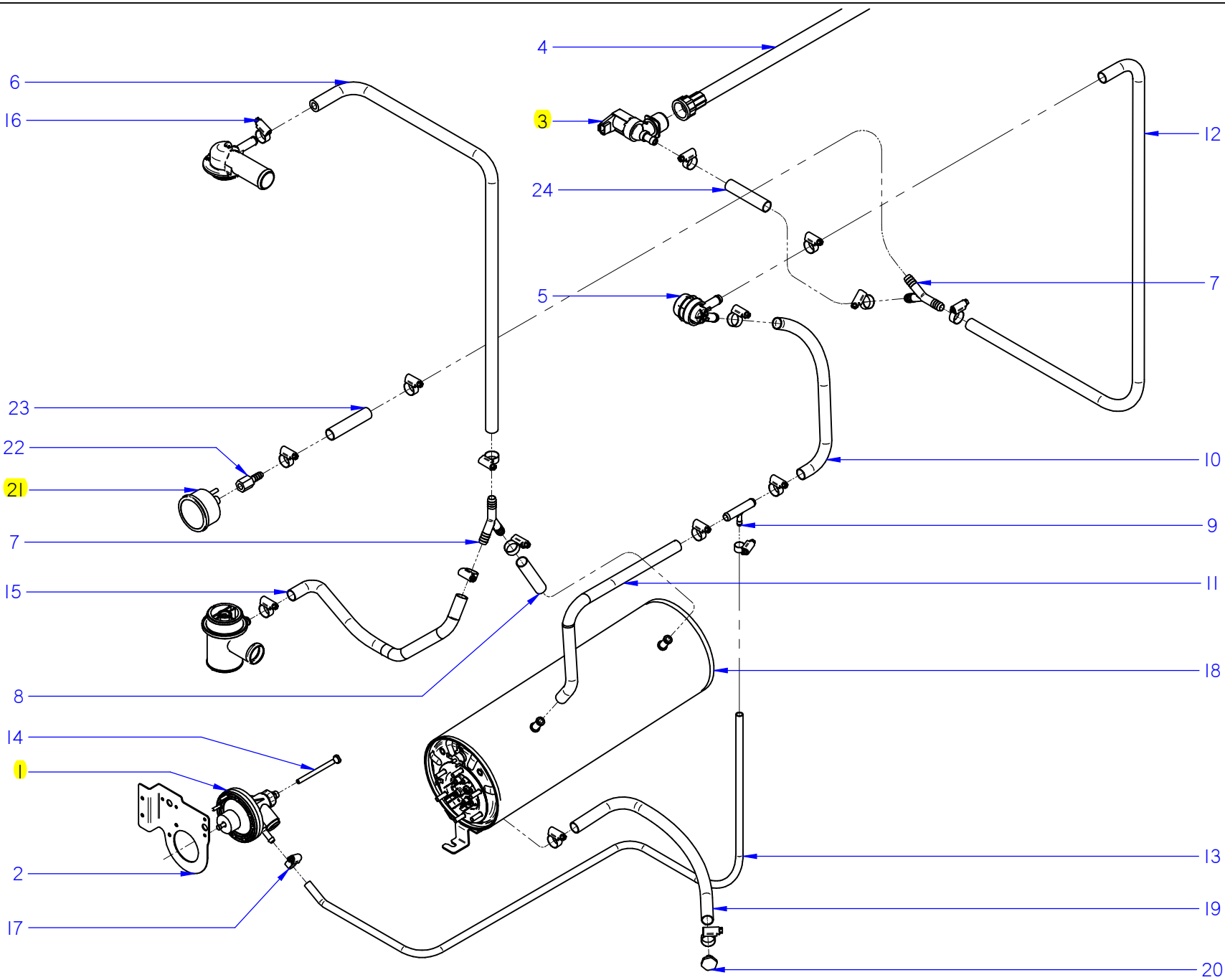
Fecha / Date
2015-02

Aparato / Appliance
LAVAVAJILLAS CO-502W DISHWASHER

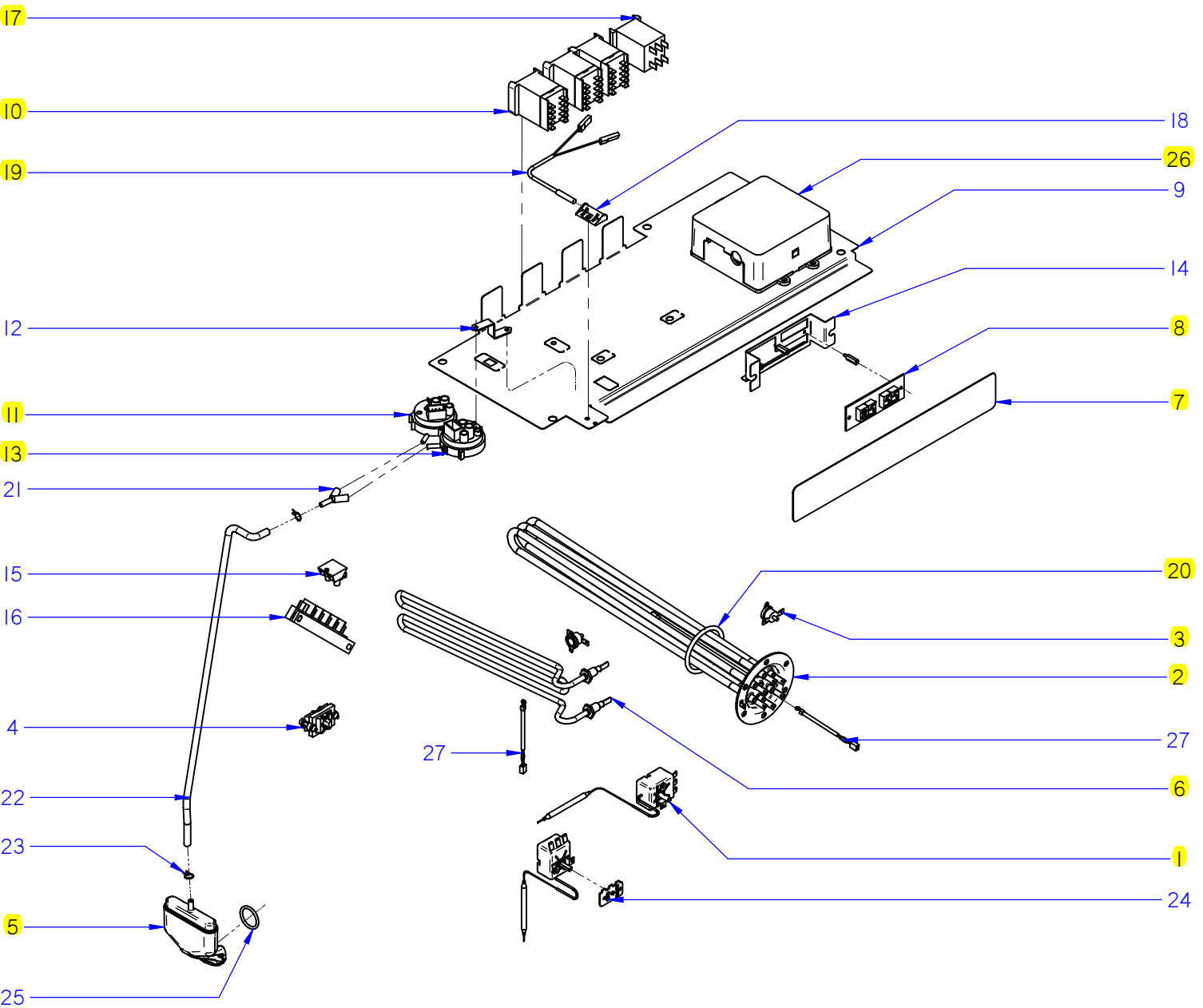
Lamina / Sheet
4

Fogor Industrial S. Coop. **FAGOR**
Oparte

**ITEM MARCADO EN COLOR = REPUESTO RECOMENDADO
COLOURED ITEM = RECOMMENDED SPARE PART**



| ITEM | REFERENCIA REFERENCE | DENOMINACIÓN | DENOMINATION | CO-502W | | | | | | | RECOMMENDED | ELIMINADO ELIMINATED | INTRODUCIDO INTRODUCED | NOTAS / NOTES |
|------|-------------------------|------------------------------|-------------------------------|---------|--|--|--|--|--|--|-------------|-------------------------|---------------------------|---------------|
| 1 | 12045206 | DOSIFICADOR ABRILL. AQUA | AQUA RINSE AID DISPENSER | 1 | | | | | | | X | | | |
| 2 | 12049650 | SOPORTE TERMOSTATO Y DOSIFIC | THERMOST. AND DISPENSER SUPP. | 1 | | | | | | | | | | |
| 3 | 12095427 | E.V SIMPLE 220V SALIDA A 90º | SIMPLE E.V 90º EXIT | 1 | | | | | | | X | | | |
| 4 | 12024115 | MANGUERA ENTRADA AGUA | WATER SUPPLY HOSE | 1 | | | | | | | | | | |
| 5 | 12024568 | VALVULA ANTIRRETORNO | NON-RETURN VALVE | 1 | | | | | | | | | | |
| 6 | 11000083 | TUBO GOMA NEGRA D 17x10 | BLACK RUBBER PIPE D 17x10 | 1 | | | | | | | | | | |
| 7 | 12023511 | RACORD EN Y | Y FITTING | 2 | | | | | | | | | | |
| 8 | 11000083 | TUBO GOMA NEGRA D 17x10 | BLACK RUBBER PIPE D 17x10 | 1 | | | | | | | | | | |
| 9 | 12025288 | TOMA PRESION | PRESSURE FITTING | 1 | | | | | | | | | | |
| 10 | 11000083 | TUBO GOMA NEGRA D 17x10 | BLACK RUBBER PIPE D 17x10 | 1 | | | | | | | | | | |
| 11 | 11000083 | TUBO GOMA NEGRA D 17x10 | BLACK RUBBER PIPE D 17x10 | 1 | | | | | | | | | | |
| 12 | 11000083 | TUBO GOMA NEGRA D 17x10 | BLACK RUBBER PIPE D 17x10 | 1 | | | | | | | | | | |
| 13 | 11000070 | TUBO GOMA NEGRO D 10,5*5 | BLACK RUBBER PIPE D 10,5*5 | 1 | | | | | | | | | | |
| 14 | 12024139 | CONDUCTO ASPIRACIÓN AZKOY CO | AZKOY SUCTION PIPE | 1 | | | | | | | | | | |
| 15 | 11000083 | TUBO GOMA NEGRA D 17x10 | BLACK RUBBER PIPE D 17x10 | 1 | | | | | | | | | | |
| 16 | 12010036 | ABRAZADERA 12-20 | 12-20 CLAMP | 14 | | | | | | | | | | |
| 17 | 12010047 | ABRAZADERA 8-14L | 8-14L CLAMP | 2 | | | | | | | | | | |
| 18 | 12097081 | CALDERIN CONCEPT SOLDADO | CONCEPT BOILER WELDED | 1 | | | | | | | | | | |
| 19 | 11000083 | TUBO GOMA NEGRA D 17x10 | BLACK RUBBER PIPE D 17x10 | 1 | | | | | | | | | | |
| 20 | 12041528 | Tapon M10x1.5 | M10x1.5 CAP | 1 | | | | | | | | | | |
| 21 | 12115146 | MANOMETRO W NSF POST | MANOMETER W NSF POST | 1 | | | | | | | X | | | |
| 22 | 12115147 | ADAPTADOR MANOMETRO 1-4 NPT | MANOMETER ADAPTER 1-4 NPT | 1 | | | | | | | | | | |
| 23 | 11000083 | TUBO GOMA NEGRA D 17x10 | BLACK RUBBER PIPE D 17x10 | 1 | | | | | | | | | | |
| 24 | 11000083 | TUBO GOMA NEGRA D 17x10 | BLACK RUBBER PIPE D 17x10 | 1 | | | | | | | | | | |
| | | | | | | | | | | | | | | |
| | | | | | | | | | | | | | | |
| | | | | | | | | | | | | | | |
| | | | | | | | | | | | | | | |
| | | | | | | | | | | | | | | |
| | | | | | | | | | | | | | | |
| | | | | | | | | | | | | | | |
| | | | | | | | | | | | | | | |
| | | | | | | | | | | | | | | |
| | | | | | | | | | | | | | | |
| | | | | | | | | | | | | | | |
| | | | | | | | | | | | | | | |
| | | | | | | | | | | | | | | |
| | | | | | | | | | | | | | | |
| | | | | | | | | | | | | | | |
| | | | | | | | | | | | | | | |



ITEM MARCADO EN COLOR = REPUESTO RECOMENDADO
 COLOURED ITEM = RECOMMENDED SPARE PART

| | | | | | |
|---------------------------------------|---------------------------------------|--------------------------------|---|--------------------|------------------------------------|
| N plano / Drawing N. C-3384 | Firma / Signature Iban R | Fecha / Date 2015-02 | Aparato / Appliance LAVAVAJILLAS CO-502W DISHWASHER | Lamina 5 | Fagor Industrial S. Coop. Omate |
| | | | CONJUNTO ELECTRICO / ELECTRICAL PART | | |

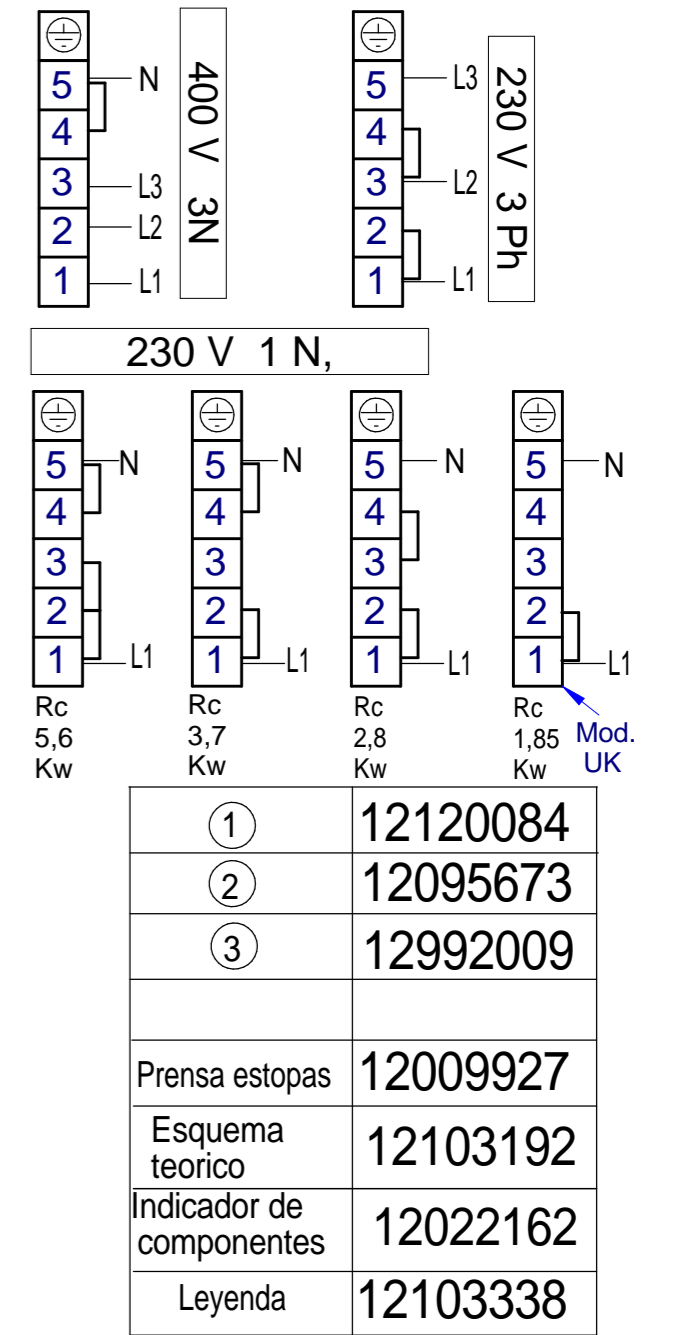
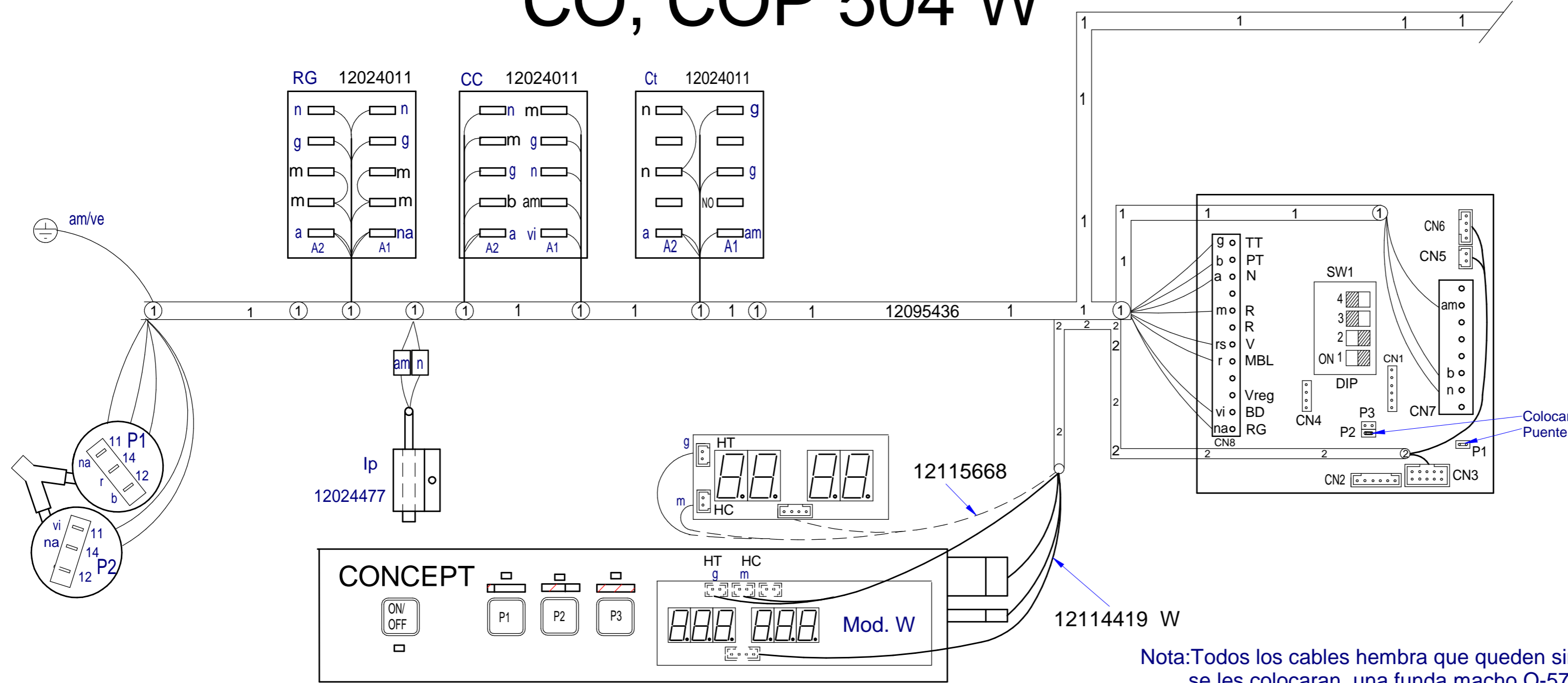


| ITEM | REFERENCIA REFERENCE | DENOMINACIÓN | DENOMINATION | CO-502W | | | | | | | RECOMMENDED | ELIMINADO ELIMINATED | INTRODUCIDO INTRODUCED | NOTAS / NOTES |
|------|-------------------------|---------------------------------|---------------------------------|---------|--|--|--|--|--|--|-------------|-------------------------|---------------------------|---------------|
| 1 | 12040858 | TERMOSTATO REGULABLE 85°C | REGULABLE THERMOSTAT 85°C | 2 | | | | | | | X | | | |
| 2 | 12098745 | RESISTENCIA CALDERIN 6KW | BOILER'S RESISTOR 6KW | 1 | | | | | | | X | | | |
| 3 | 12096597 | TERM.SEG. 261B 110°C FAST 90 | SAFETY THER. 261B 110°C FAST 90 | 2 | | | | | | | X | | | |
| 4 | 12024230 | RETENEDOR DE CABLE | CABLE RETAINER | 1 | | | | | | | | | | |
| 5 | 12093146 | CAMPANA TANQUE | TUB'S PRESSURE CHAMBER | 1 | | | | | | | X | | | |
| 6 | 12048965 | RESISTENCIA TANQUE 2800W | TUB'S RESISTOR 2800W | 1 | | | | | | | X | | | |
| 7 | 12112957 | EMBELLECEDOR CO-402W_CO-502W | CO-402W_CO-502W STICKER | 1 | | | | | | | X | | | |
| 8 | 12010417 | VISUALIZADOR 12V LEDS | 12V LEDS DISPLAY | 1 | | | | | | | X | | | |
| 9 | 12044604 | SOP. COMPONENTES ELECTRICOS | ELECTRIC COMPONENTS SUPPORT | 1 | | | | | | | | | | |
| 10 | 12024011 | CONTACTOR 230 V. 50-60 HZ | 230 V. 50-60 HZ CONTACTOR | 3 | | | | | | | X | | | |
| 11 | 12096970 | PRESOSTATO 1,40-6,30 BAR SIMPLE | 1,40-6,30 BAR PRESSURE SWITCH | 1 | | | | | | | X | | | |
| 12 | 12098323 | SOPORTE PRESOSTATO AF | PRESSURE SWITCH SUPPORT | 1 | | | | | | | | | | |
| 13 | 12096968 | PRESOSTATO 1,40-6,30 BAR SIMPLE | 1,40-6,30 BAR PRESSURE SWITCH | 1 | | | | | | | X | | | |
| 14 | 12002652 | SOPORTE VISUALIZADOR | DISPLAY SUPPORT | 1 | | | | | | | | | | |
| 15 | 12024110 | REGLETA DE CONEXIONES | CONNECTION STRIP | 1 | | | | | | | | | | |
| 16 | 12025183 | REGLETA AUXILIAR FV-122 | AUX. CONNECTION STRIP FV-122 | 1 | | | | | | | | | | |
| 17 | 12023706 | RELE 230V. 16A 50-60 HZ | 230V. 16A 50-60 HZ RELAY | 1 | | | | | | | X | | | |
| 18 | 12024066 | AMARRE INTERRUPTOR MAGNETICO | MAGNETIC SWITCH'S SUPPORT | 1 | | | | | | | | | | |
| 19 | 12024477 | INTERRUPTOR MAGNETICO | MAGNETIC SWITCH | 1 | | | | | | | X | | | |
| 20 | 12010051 | JUNTA TORICA RESIST. CALDERIN | BOILER'S RESISTOR'S O-RING | 1 | | | | | | | X | | | |
| 21 | 12023510 | RACORD EN Y | Y FITTING | 1 | | | | | | | | | | |
| 22 | 11000066 | TUBO GOMA NEGRO D 8*4 | BLACK RUBBER PIPE D 8*4 | 1 | | | | | | | | | | |
| 23 | 12023707 | BRIDA ELASTICA TUBO | ELASTIC CLAMP FOR PIPES | 2 | | | | | | | | | | |
| 24 | 12044848 | REGULADOR A 60°C T1 DE 85°C | 60°C T1 DE 85°C REGULATOR | 1 | | | | | | | | | | |
| 25 | 12093145 | JUNTA TORICA CAMPANA | PRESSURE CHAMBER'S O-RING | 1 | | | | | | | | | | |
| 26 | 12008750 | CONTROL TARJETA 5 RELES | 5 RELAY CONTROL CARD | 1 | | | | | | | X | | | |
| 27 | 12025036 | CONJUNTO Sonda 64kOHM NTC | 64kOHM NTC THERMOSTAT | 2 | | | | | | | | | | |
| | | | | | | | | | | | | | | |
| | | | | | | | | | | | | | | |
| | | | | | | | | | | | | | | |
| | | | | | | | | | | | | | | |

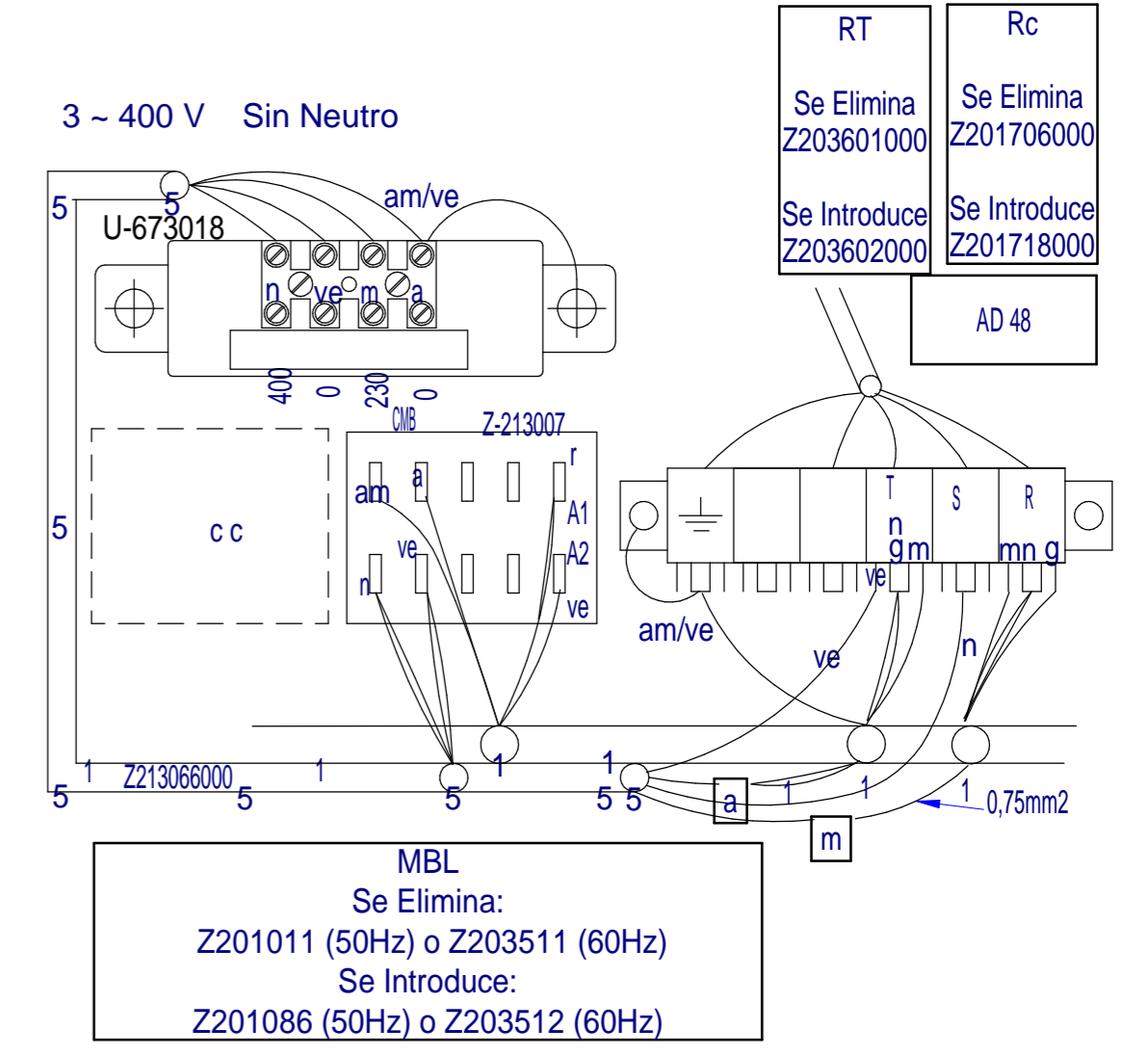
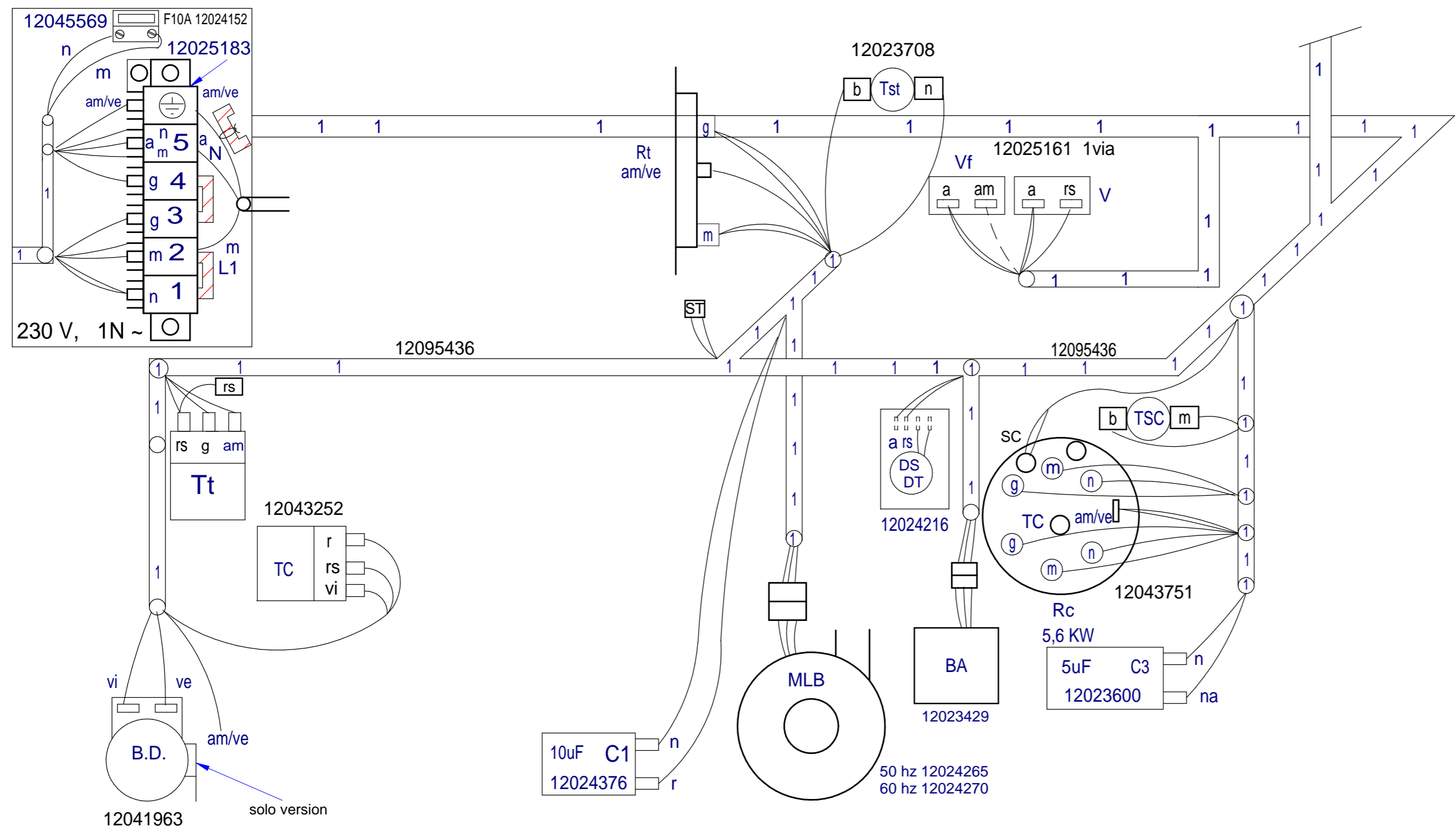
| ZONA / ZONE | RECOMENDADOS / RECOMMENDED | LÁMINA / DRAWING | FAGOR |
|-------------|----------------------------|------------------|-------|
|-------------|----------------------------|------------------|-------|

| ITEM | REFERENCIA REFERENCE | DENOMINACIÓN | DENOMINATION | CO-502W | | | | | | | | | | ELIMINADO ELIMINATED | INTRODUCIDO INTRODUCED | NOTAS / NOTES |
|------|-------------------------|---------------------------------|---------------------------------|---------|--|--|--|--|--|--|--|--|--|-------------------------|---------------------------|---------------|
| 1 | 12024376 | CONDENSADOR 10MF | 10MF CAPACITOR | 1 | | | | | | | | | | | | C-3381 |
| 4 | 12102834 | MOTOBOMBA 590KW 60Hz | WASHIG PUMP 590KW 60Hz | 1 | | | | | | | | | | | | C-3381 |
| 30 | 12024216 | DOSIFIC. DGTE REGULABLE G300 | REGUL. DETERG. DISPENSER G300 | 1 | | | | | | | | | | | | C-3381 |
| 5 | 12023666 | MANGUERA DESAGÜE | DRAINING PIPE | 1 | | | | | | | | | | | | C-3382 |
| 8 | 12094265 | BOMBA DESAGÜE | DRAINING PUMP | 1 | | | | | | | | | | | | C-3382 |
| 1 | 12045206 | DOSIFICADOR ABRILL. AQUA | AQUA RINSE AID DISPENSER | 1 | | | | | | | | | | | | C-3383 |
| 3 | 12095427 | E.V SIMPLE 220V SALIDA A 90º | SIMPLE E.V 90º EXIT | 1 | | | | | | | | | | | | C-3383 |
| 21 | 12115146 | MANOMETRO W NSF POST | MANOMETER W NSF POST | 1 | | | | | | | | | | | | C-3383 |
| 1 | 12040858 | TERMOSTATO REGULABLE 85ºC | REGULABLE THERMOSTAT 85ºC | 2 | | | | | | | | | | | | C-3384 |
| 2 | 12098745 | RESISTENCIA CALDERIN 6KW | BOILER'S RESISTOR 6KW | 1 | | | | | | | | | | | | C-3384 |
| 3 | 12096597 | TERM.SEG. 261B 110ºC FAST 90 | SAFETY THER. 261B 110ºC FAST 90 | 2 | | | | | | | | | | | | C-3384 |
| 5 | 12093146 | CAMPANA TANQUE | TUB'S PRESSURE CHAMBER | 1 | | | | | | | | | | | | C-3384 |
| 6 | 12048965 | RESISTENCIA TANQUE 2800W | TUB'S RESISTOR 2800W | 1 | | | | | | | | | | | | C-3384 |
| 7 | 12112957 | EMBELLECEDOR CO-402W,CO-502W | CO-402W, CO-502W STICKER | 1 | | | | | | | | | | | | C-3384 |
| 8 | 12010417 | VISUALIZADOR 12V LEDS | 12V LEDS DISPLAY | 1 | | | | | | | | | | | | C-3384 |
| 10 | 12024011 | CONTACTOR 230 V. 50-60 HZ | 230 V. 50-60 HZ CONTACTOR | 3 | | | | | | | | | | | | C-3384 |
| 11 | 12096970 | PRESOSTATO 1,40-6,30 BAR SIMPLE | 1,40-6,30 BAR PRESSURE SWITCH | 1 | | | | | | | | | | | | C-3384 |
| 13 | 12096968 | PRESOSTATO 1,40-6,30 BAR SIMPLE | 1,40-6,30 BAR PRESSURE SWITCH | 1 | | | | | | | | | | | | C-3384 |
| 17 | 12023706 | RELE 230V. 16A 50-60 HZ | 230V. 16A 50-60 HZ RELAY | 1 | | | | | | | | | | | | C-3384 |
| 19 | 12024477 | INTERRUPTOR MAGNETICO | MAGNETIC SWITCH | 1 | | | | | | | | | | | | C-3384 |
| 29 | 12010051 | JUNTA TORICA RESIST. CALDERIN | BOILER'S RESISTOR'S O-RING | 1 | | | | | | | | | | | | C-3384 |
| | | | | | | | | | | | | | | | | |
| | | | | | | | | | | | | | | | | |
| | | | | | | | | | | | | | | | | |
| | | | | | | | | | | | | | | | | |
| | | | | | | | | | | | | | | | | |
| | | | | | | | | | | | | | | | | |
| | | | | | | | | | | | | | | | | |
| | | | | | | | | | | | | | | | | |
| | | | | | | | | | | | | | | | | |
| | | | | | | | | | | | | | | | | |
| | | | | | | | | | | | | | | | | |

CO, COP 504 W

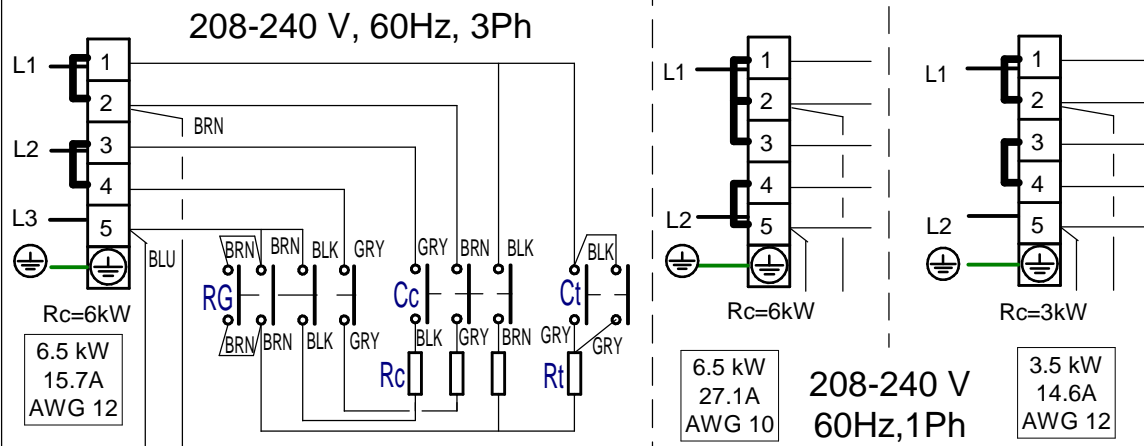


Nota: Todos los cables hembra que queden sin conectar se les colocaran una funda macho Q-578006

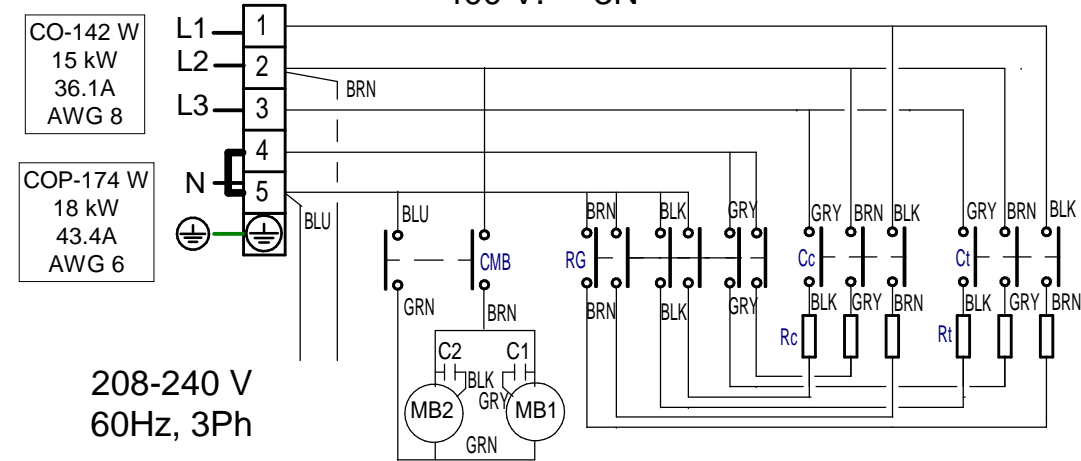


| Plano Montaje CO, COP 504 W (64 W) | | 12114492 | | | | | | | | | | | | | | | | | | | | | | | | | | | | | | | | | | | | | | | | | | | | | | | | | | | | | | | | | | | | | | | | | | | | | | | | | |
|---|-------|--------------------|-------|------------------|-----------|-------|--------|--------|--------|-------|-------|-------|-------|-------|-------|-------|-------|-------|-------|-------|-------|-------|-------|-------|-------|--------|-------|-------|-------|-------|-------|-------|-------|-------|-------|----------|-------|-------|-------|-------|-------|-------|-------|-------|-------|-----------|-------|-------|-------|-------|-------|-------|-------|-------|--------|------------|-------|-------|-------|-------|-------|-------|-------|--------|--------|-------------|-------|-------|-------|-------|-------|-------|--------|--------|--------|
| Nº | TITLE | QTY | CODE | MATERIAL | TREATMENT | | | | | | | | | | | | | | | | | | | | | | | | | | | | | | | | | | | | | | | | | | | | | | | | | | | | | | | | | | | | | | | | | | | | | | |
| GENERAL TOLERANCES: ISO 2768-1 Very Coarse | | | | | | | | | | | | | | | | | | | | | | | | | | | | | | | | | | | | | | | | | | | | | | | | | | | | | | | | | | | | | | | | | | | | | | | | | | | |
| <table border="1"> <tr> <th>UNITS</th> <th>±0.05</th> <th>±0.10</th> <th>±0.15</th> <th>±0.20</th> <th>±0.30</th> <th>±0.50</th> <th>±1.00</th> <th>±2.00</th> <th>±3.00</th> </tr> <tr> <td>3-6mm</td> <td>±0.05</td> <td>±0.10</td> <td>±0.15</td> <td>±0.20</td> <td>±0.30</td> <td>±0.50</td> <td>±1.00</td> <td>±2.00</td> <td>±3.00</td> </tr> <tr> <td>6-30mm</td> <td>±0.10</td> <td>±0.20</td> <td>±0.30</td> <td>±0.40</td> <td>±0.50</td> <td>±0.80</td> <td>±1.20</td> <td>±2.00</td> <td>±3.00</td> </tr> <tr> <td>30-120mm</td> <td>±0.15</td> <td>±0.30</td> <td>±0.40</td> <td>±0.50</td> <td>±0.80</td> <td>±1.20</td> <td>±2.00</td> <td>±3.00</td> <td>±5.00</td> </tr> <tr> <td>120-400mm</td> <td>±0.20</td> <td>±0.40</td> <td>±0.50</td> <td>±0.80</td> <td>±1.20</td> <td>±2.00</td> <td>±3.00</td> <td>±5.00</td> <td>±10.00</td> </tr> <tr> <td>400-1000mm</td> <td>±0.30</td> <td>±0.60</td> <td>±0.80</td> <td>±1.20</td> <td>±2.00</td> <td>±3.00</td> <td>±5.00</td> <td>±10.00</td> <td>±20.00</td> </tr> <tr> <td>1000-2000mm</td> <td>±0.50</td> <td>±1.00</td> <td>±1.20</td> <td>±2.00</td> <td>±3.00</td> <td>±5.00</td> <td>±10.00</td> <td>±20.00</td> <td>±50.00</td> </tr> </table> | | | | | | UNITS | ±0.05 | ±0.10 | ±0.15 | ±0.20 | ±0.30 | ±0.50 | ±1.00 | ±2.00 | ±3.00 | 3-6mm | ±0.05 | ±0.10 | ±0.15 | ±0.20 | ±0.30 | ±0.50 | ±1.00 | ±2.00 | ±3.00 | 6-30mm | ±0.10 | ±0.20 | ±0.30 | ±0.40 | ±0.50 | ±0.80 | ±1.20 | ±2.00 | ±3.00 | 30-120mm | ±0.15 | ±0.30 | ±0.40 | ±0.50 | ±0.80 | ±1.20 | ±2.00 | ±3.00 | ±5.00 | 120-400mm | ±0.20 | ±0.40 | ±0.50 | ±0.80 | ±1.20 | ±2.00 | ±3.00 | ±5.00 | ±10.00 | 400-1000mm | ±0.30 | ±0.60 | ±0.80 | ±1.20 | ±2.00 | ±3.00 | ±5.00 | ±10.00 | ±20.00 | 1000-2000mm | ±0.50 | ±1.00 | ±1.20 | ±2.00 | ±3.00 | ±5.00 | ±10.00 | ±20.00 | ±50.00 |
| UNITS | ±0.05 | ±0.10 | ±0.15 | ±0.20 | ±0.30 | ±0.50 | ±1.00 | ±2.00 | ±3.00 | | | | | | | | | | | | | | | | | | | | | | | | | | | | | | | | | | | | | | | | | | | | | | | | | | | | | | | | | | | | | | | | | | |
| 3-6mm | ±0.05 | ±0.10 | ±0.15 | ±0.20 | ±0.30 | ±0.50 | ±1.00 | ±2.00 | ±3.00 | | | | | | | | | | | | | | | | | | | | | | | | | | | | | | | | | | | | | | | | | | | | | | | | | | | | | | | | | | | | | | | | | | |
| 6-30mm | ±0.10 | ±0.20 | ±0.30 | ±0.40 | ±0.50 | ±0.80 | ±1.20 | ±2.00 | ±3.00 | | | | | | | | | | | | | | | | | | | | | | | | | | | | | | | | | | | | | | | | | | | | | | | | | | | | | | | | | | | | | | | | | | |
| 30-120mm | ±0.15 | ±0.30 | ±0.40 | ±0.50 | ±0.80 | ±1.20 | ±2.00 | ±3.00 | ±5.00 | | | | | | | | | | | | | | | | | | | | | | | | | | | | | | | | | | | | | | | | | | | | | | | | | | | | | | | | | | | | | | | | | | |
| 120-400mm | ±0.20 | ±0.40 | ±0.50 | ±0.80 | ±1.20 | ±2.00 | ±3.00 | ±5.00 | ±10.00 | | | | | | | | | | | | | | | | | | | | | | | | | | | | | | | | | | | | | | | | | | | | | | | | | | | | | | | | | | | | | | | | | | |
| 400-1000mm | ±0.30 | ±0.60 | ±0.80 | ±1.20 | ±2.00 | ±3.00 | ±5.00 | ±10.00 | ±20.00 | | | | | | | | | | | | | | | | | | | | | | | | | | | | | | | | | | | | | | | | | | | | | | | | | | | | | | | | | | | | | | | | | | |
| 1000-2000mm | ±0.50 | ±1.00 | ±1.20 | ±2.00 | ±3.00 | ±5.00 | ±10.00 | ±20.00 | ±50.00 | | | | | | | | | | | | | | | | | | | | | | | | | | | | | | | | | | | | | | | | | | | | | | | | | | | | | | | | | | | | | | | | | | |
| GENERAL TOLERANCE FOR FORM AND POSITION: ISO 2768-2 | | | | | | | | | | | | | | | | | | | | | | | | | | | | | | | | | | | | | | | | | | | | | | | | | | | | | | | | | | | | | | | | | | | | | | | | | | | |
| LAVAVAJILLAS | | | | | | | | | | | | | | | | | | | | | | | | | | | | | | | | | | | | | | | | | | | | | | | | | | | | | | | | | | | | | | | | | | | | | | | | | | | |
| DESIGNED BY: M.Maillio | | VALIDATED BY: A.G. | | DATE: 12.06.2014 | | | | | | | | | | | | | | | | | | | | | | | | | | | | | | | | | | | | | | | | | | | | | | | | | | | | | | | | | | | | | | | | | | | | | | | |
| SHEET: 1 / 1 | | SCALE: 1:1 | | REVISION: - | | | | | | | | | | | | | | | | | | | | | | | | | | | | | | | | | | | | | | | | | | | | | | | | | | | | | | | | | | | | | | | | | | | | | | | |
| PROPOSED BY: - | | ISSUE DATE: - | | | | | | | | | | | | | | | | | | | | | | | | | | | | | | | | | | | | | | | | | | | | | | | | | | | | | | | | | | | | | | | | | | | | | | | | | |

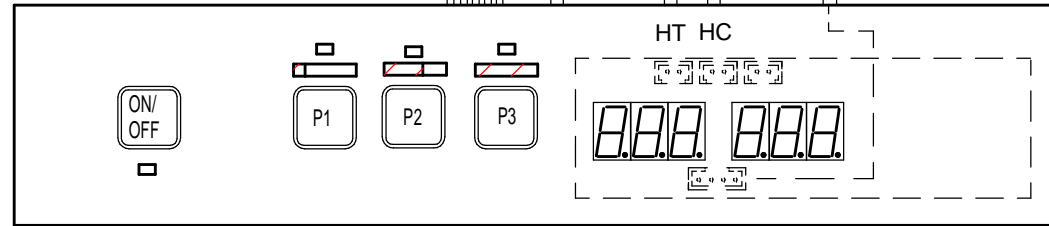
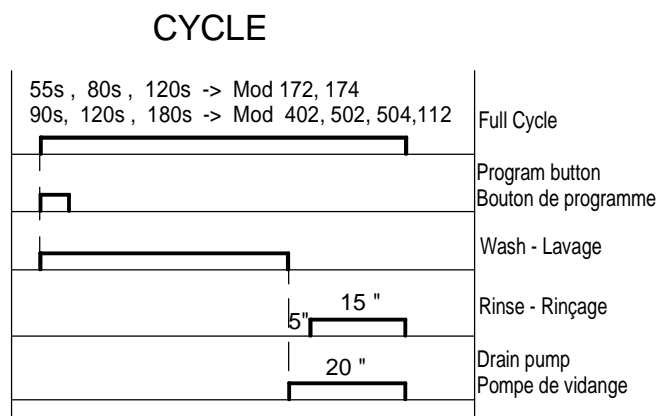
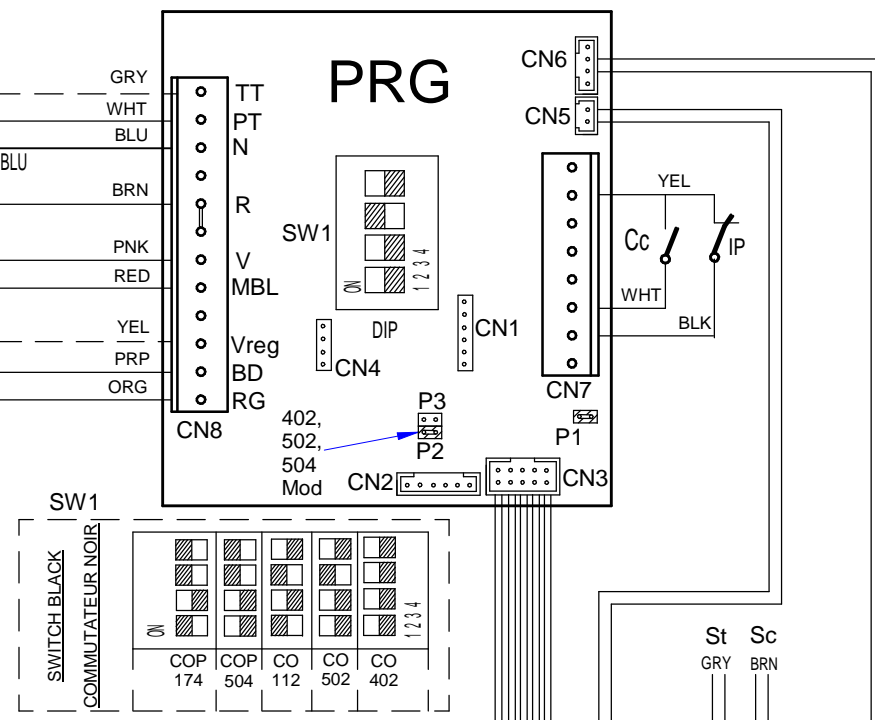
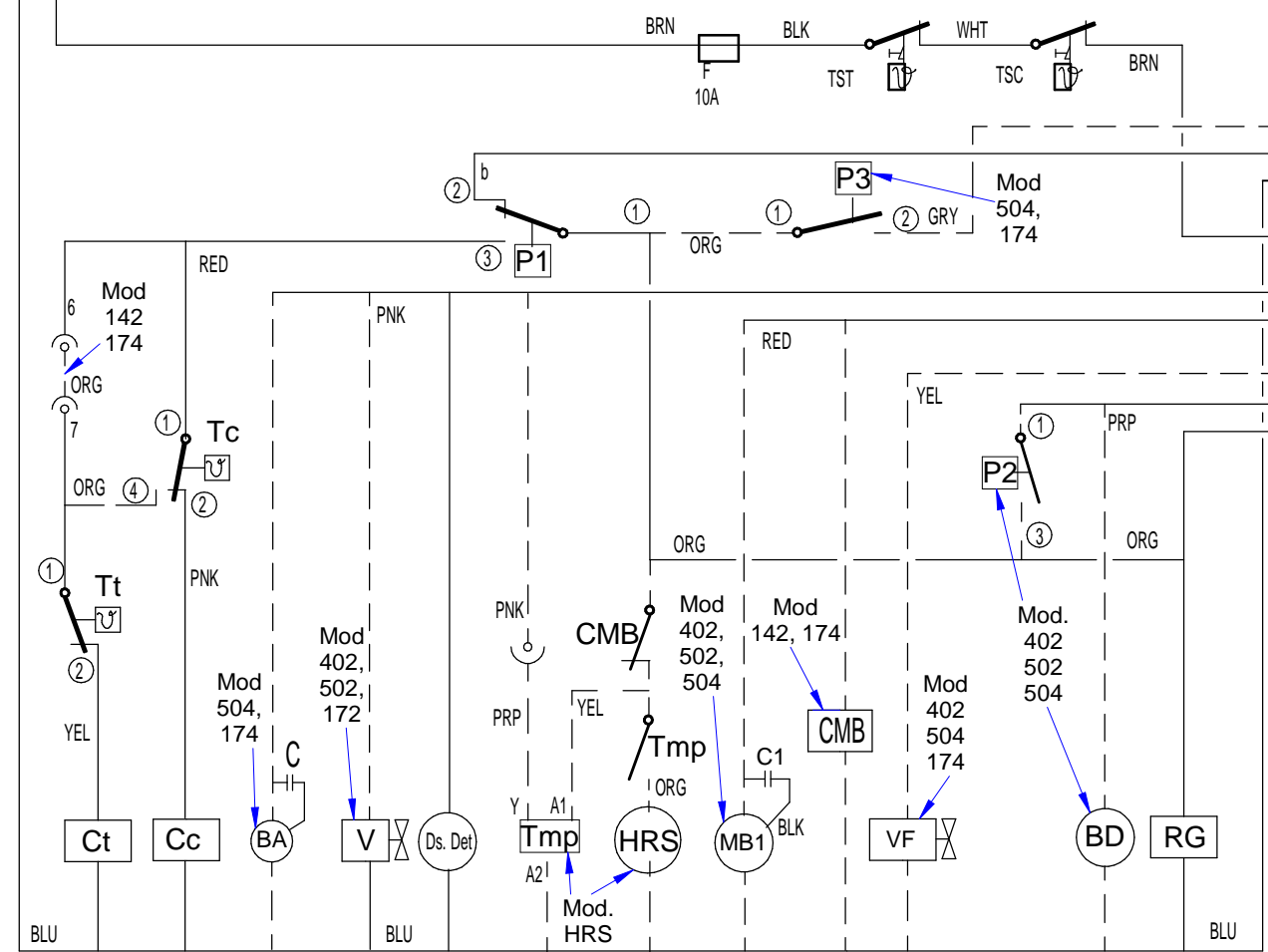
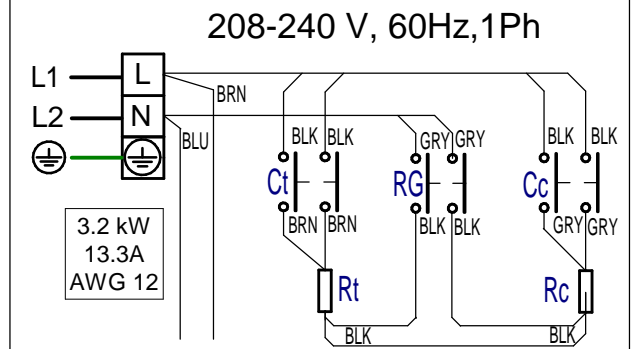
CO-502 W, COP-504 W



CO-142W, COP-174 W



CO-402 W



Ref. 12114451

| Esquema Teorico CO XX2 W, COP XX4 W | | 12114451 | | | | | | | | | | | | | | | | | | | | | | | | | | | | | | | | | | | | | | | | | | | | | | | | | | | | | | | | | | | | | | | | | | | | | | | |
|--|---------------|----------------|--------------|-------------|--------|-------------|------|-------|-------|-------|-------|-------|-------|-------|-------|-------|--------|-------|-------|-------|-------|----------|-------|-------|-------|-------|-----------|-------|-------|-------|-------|------------|-------|-------|-------|-------|-------------|-------|-------|-------|-------|--|--|---------|------|--------|--------|-------------|-------|-----|--------|-----|-----|---------|------|-----|--------|-----|----------|------|------|-----|--------|-----------|------|------|------|-----|--------|-----|------|------|------|
| Nº | TITLE | QTY | CODE | | | | | | | | | | | | | | | | | | | | | | | | | | | | | | | | | | | | | | | | | | | | | | | | | | | | | | | | | | | | | | | | | | | | | | |
| GENERAL TOLERANCES: ISO 2768-1 Very Coarse | | | | | | | | | | | | | | | | | | | | | | | | | | | | | | | | | | | | | | | | | | | | | | | | | | | | | | | | | | | | | | | | | | | | | | | | | |
| <table border="1"> <tr> <th>LINEAR</th> <th>Fine</th> <th>Medium</th> <th>Coarse</th> <th>Very Coarse</th> </tr> <tr> <td><3mm</td> <td>±0.05</td> <td>±0.10</td> <td>±0.15</td> <td>±0.20</td> </tr> <tr> <td>3-6mm</td> <td>±0.05</td> <td>±0.10</td> <td>±0.15</td> <td>±0.20</td> </tr> <tr> <td>6-30mm</td> <td>±0.10</td> <td>±0.20</td> <td>±0.30</td> <td>±0.40</td> </tr> <tr> <td>30-120mm</td> <td>±0.15</td> <td>±0.30</td> <td>±0.40</td> <td>±0.50</td> </tr> <tr> <td>120-400mm</td> <td>±0.20</td> <td>±0.40</td> <td>±0.50</td> <td>±0.60</td> </tr> <tr> <td>400-1000mm</td> <td>±0.30</td> <td>±0.50</td> <td>±0.60</td> <td>±0.80</td> </tr> <tr> <td>1000-2000mm</td> <td>±0.50</td> <td>±0.80</td> <td>±1.00</td> <td>±1.20</td> </tr> </table> | | LINEAR | Fine | Medium | Coarse | Very Coarse | <3mm | ±0.05 | ±0.10 | ±0.15 | ±0.20 | 3-6mm | ±0.05 | ±0.10 | ±0.15 | ±0.20 | 6-30mm | ±0.10 | ±0.20 | ±0.30 | ±0.40 | 30-120mm | ±0.15 | ±0.30 | ±0.40 | ±0.50 | 120-400mm | ±0.20 | ±0.40 | ±0.50 | ±0.60 | 400-1000mm | ±0.30 | ±0.50 | ±0.60 | ±0.80 | 1000-2000mm | ±0.50 | ±0.80 | ±1.00 | ±1.20 | <table border="1"> <tr> <th>ANGULAR</th> <th>Fine</th> <th>Medium</th> <th>Coarse</th> <th>Very Coarse</th> </tr> <tr> <td><10mm</td> <td>±1°</td> <td>±1°30'</td> <td>±2°</td> <td>±3°</td> </tr> <tr> <td>10-50mm</td> <td>±30'</td> <td>±1°</td> <td>±1°30'</td> <td>±2°</td> </tr> <tr> <td>50-120mm</td> <td>±20'</td> <td>±30'</td> <td>±1°</td> <td>±1°30'</td> </tr> <tr> <td>120-400mm</td> <td>±10'</td> <td>±15'</td> <td>±30'</td> <td>±1°</td> </tr> <tr> <td>>400mm</td> <td>±5'</td> <td>±10'</td> <td>±20'</td> <td>±30'</td> </tr> </table> | | ANGULAR | Fine | Medium | Coarse | Very Coarse | <10mm | ±1° | ±1°30' | ±2° | ±3° | 10-50mm | ±30' | ±1° | ±1°30' | ±2° | 50-120mm | ±20' | ±30' | ±1° | ±1°30' | 120-400mm | ±10' | ±15' | ±30' | ±1° | >400mm | ±5' | ±10' | ±20' | ±30' |
| LINEAR | Fine | Medium | Coarse | Very Coarse | | | | | | | | | | | | | | | | | | | | | | | | | | | | | | | | | | | | | | | | | | | | | | | | | | | | | | | | | | | | | | | | | | | | | |
| <3mm | ±0.05 | ±0.10 | ±0.15 | ±0.20 | | | | | | | | | | | | | | | | | | | | | | | | | | | | | | | | | | | | | | | | | | | | | | | | | | | | | | | | | | | | | | | | | | | | | |
| 3-6mm | ±0.05 | ±0.10 | ±0.15 | ±0.20 | | | | | | | | | | | | | | | | | | | | | | | | | | | | | | | | | | | | | | | | | | | | | | | | | | | | | | | | | | | | | | | | | | | | | |
| 6-30mm | ±0.10 | ±0.20 | ±0.30 | ±0.40 | | | | | | | | | | | | | | | | | | | | | | | | | | | | | | | | | | | | | | | | | | | | | | | | | | | | | | | | | | | | | | | | | | | | | |
| 30-120mm | ±0.15 | ±0.30 | ±0.40 | ±0.50 | | | | | | | | | | | | | | | | | | | | | | | | | | | | | | | | | | | | | | | | | | | | | | | | | | | | | | | | | | | | | | | | | | | | | |
| 120-400mm | ±0.20 | ±0.40 | ±0.50 | ±0.60 | | | | | | | | | | | | | | | | | | | | | | | | | | | | | | | | | | | | | | | | | | | | | | | | | | | | | | | | | | | | | | | | | | | | | |
| 400-1000mm | ±0.30 | ±0.50 | ±0.60 | ±0.80 | | | | | | | | | | | | | | | | | | | | | | | | | | | | | | | | | | | | | | | | | | | | | | | | | | | | | | | | | | | | | | | | | | | | | |
| 1000-2000mm | ±0.50 | ±0.80 | ±1.00 | ±1.20 | | | | | | | | | | | | | | | | | | | | | | | | | | | | | | | | | | | | | | | | | | | | | | | | | | | | | | | | | | | | | | | | | | | | | |
| ANGULAR | Fine | Medium | Coarse | Very Coarse | | | | | | | | | | | | | | | | | | | | | | | | | | | | | | | | | | | | | | | | | | | | | | | | | | | | | | | | | | | | | | | | | | | | | |
| <10mm | ±1° | ±1°30' | ±2° | ±3° | | | | | | | | | | | | | | | | | | | | | | | | | | | | | | | | | | | | | | | | | | | | | | | | | | | | | | | | | | | | | | | | | | | | | |
| 10-50mm | ±30' | ±1° | ±1°30' | ±2° | | | | | | | | | | | | | | | | | | | | | | | | | | | | | | | | | | | | | | | | | | | | | | | | | | | | | | | | | | | | | | | | | | | | | |
| 50-120mm | ±20' | ±30' | ±1° | ±1°30' | | | | | | | | | | | | | | | | | | | | | | | | | | | | | | | | | | | | | | | | | | | | | | | | | | | | | | | | | | | | | | | | | | | | | |
| 120-400mm | ±10' | ±15' | ±30' | ±1° | | | | | | | | | | | | | | | | | | | | | | | | | | | | | | | | | | | | | | | | | | | | | | | | | | | | | | | | | | | | | | | | | | | | | |
| >400mm | ±5' | ±10' | ±20' | ±30' | | | | | | | | | | | | | | | | | | | | | | | | | | | | | | | | | | | | | | | | | | | | | | | | | | | | | | | | | | | | | | | | | | | | | |
| LAVAVAJILLAS | | | | | | | | | | | | | | | | | | | | | | | | | | | | | | | | | | | | | | | | | | | | | | | | | | | | | | | | | | | | | | | | | | | | | | | | | |
| DESIGNED BY | VALIDATED BY | DATE | SHEET: 1 / 1 | | | | | | | | | | | | | | | | | | | | | | | | | | | | | | | | | | | | | | | | | | | | | | | | | | | | | | | | | | | | | | | | | | | | | | |
| M.Maillo | A.gallastegui | 11.06.2014 | SCALE: 1:1 | | | | | | | | | | | | | | | | | | | | | | | | | | | | | | | | | | | | | | | | | | | | | | | | | | | | | | | | | | | | | | | | | | | | | | |
| 12114451 | | PROPOSED BY: - | ISSUE DATE: | | | | | | | | | | | | | | | | | | | | | | | | | | | | | | | | | | | | | | | | | | | | | | | | | | | | | | | | | | | | | | | | | | | | | | |

