

DESPIECE TÉCNICO TECHNICAL PARTS

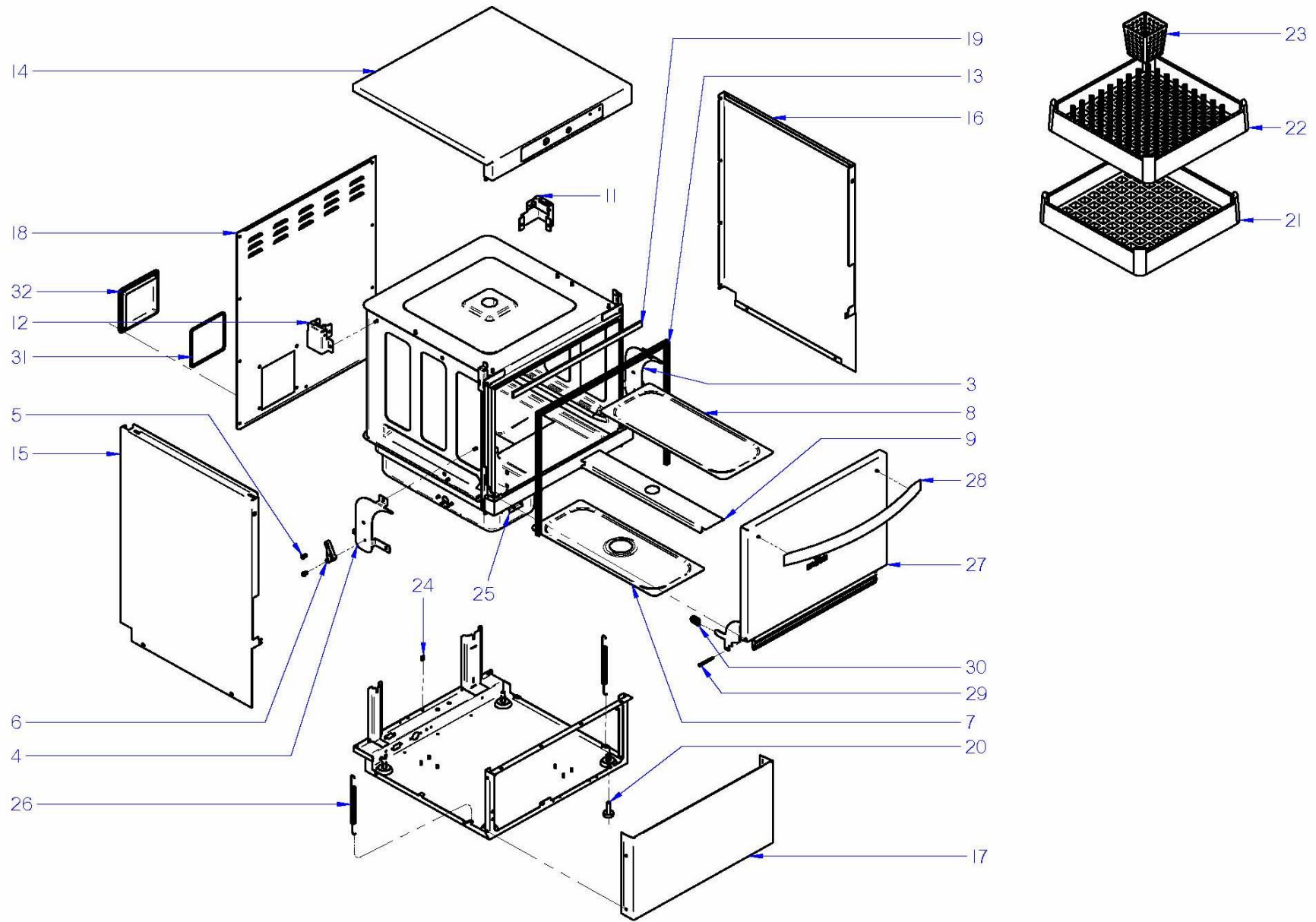
Lavavajillas
Dishwasher

MODELOS

CO-500 / DD / B / B DD
CO-501 / DD / B / B DD

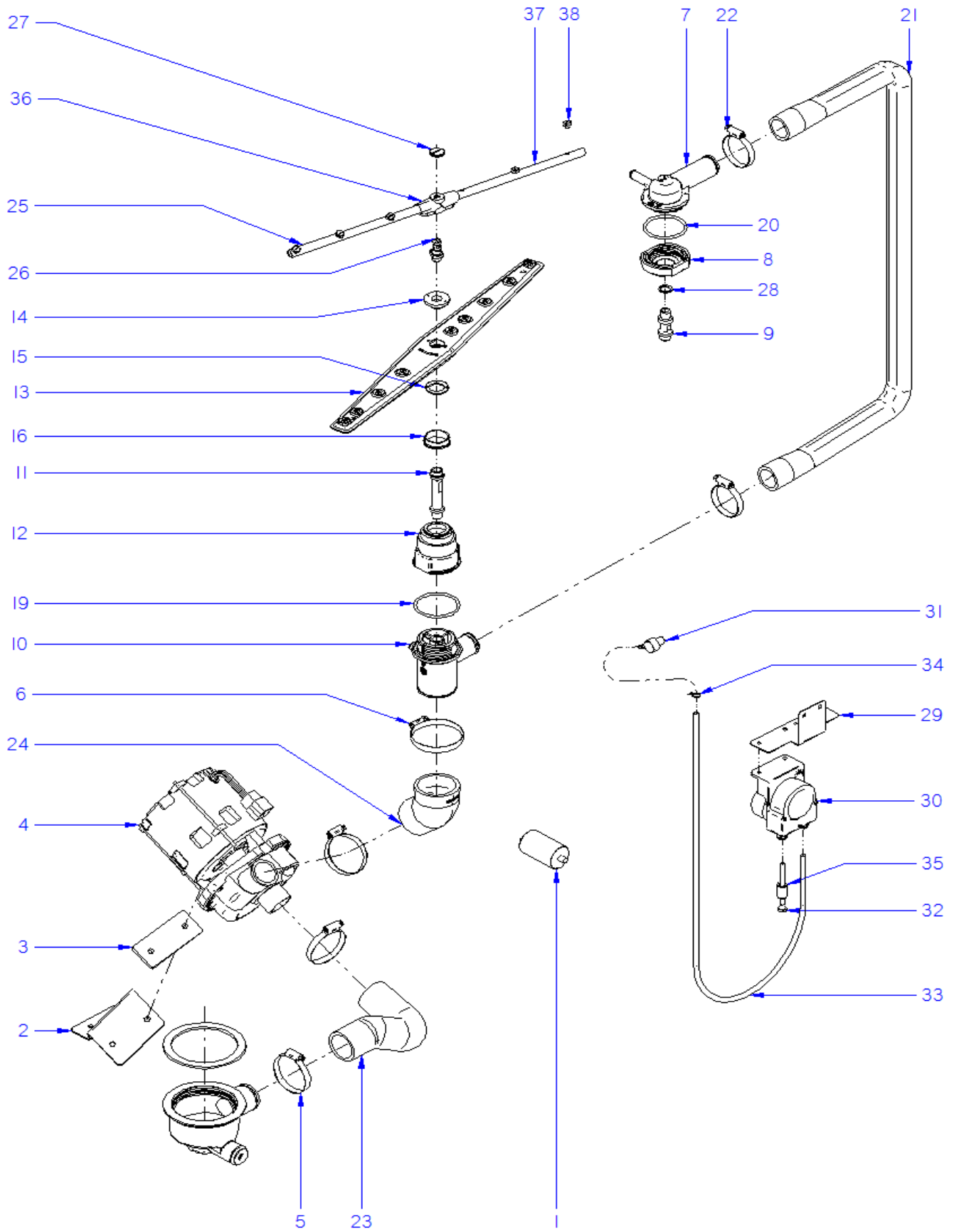
Diciembre 2014 December
Revisado Enero 2017 January Revised





Drawing Nr.	Signature	Date	MUEBLE / CABINET	Sheet
C-3286	Iban R.	nov-15	CO-500-501	1

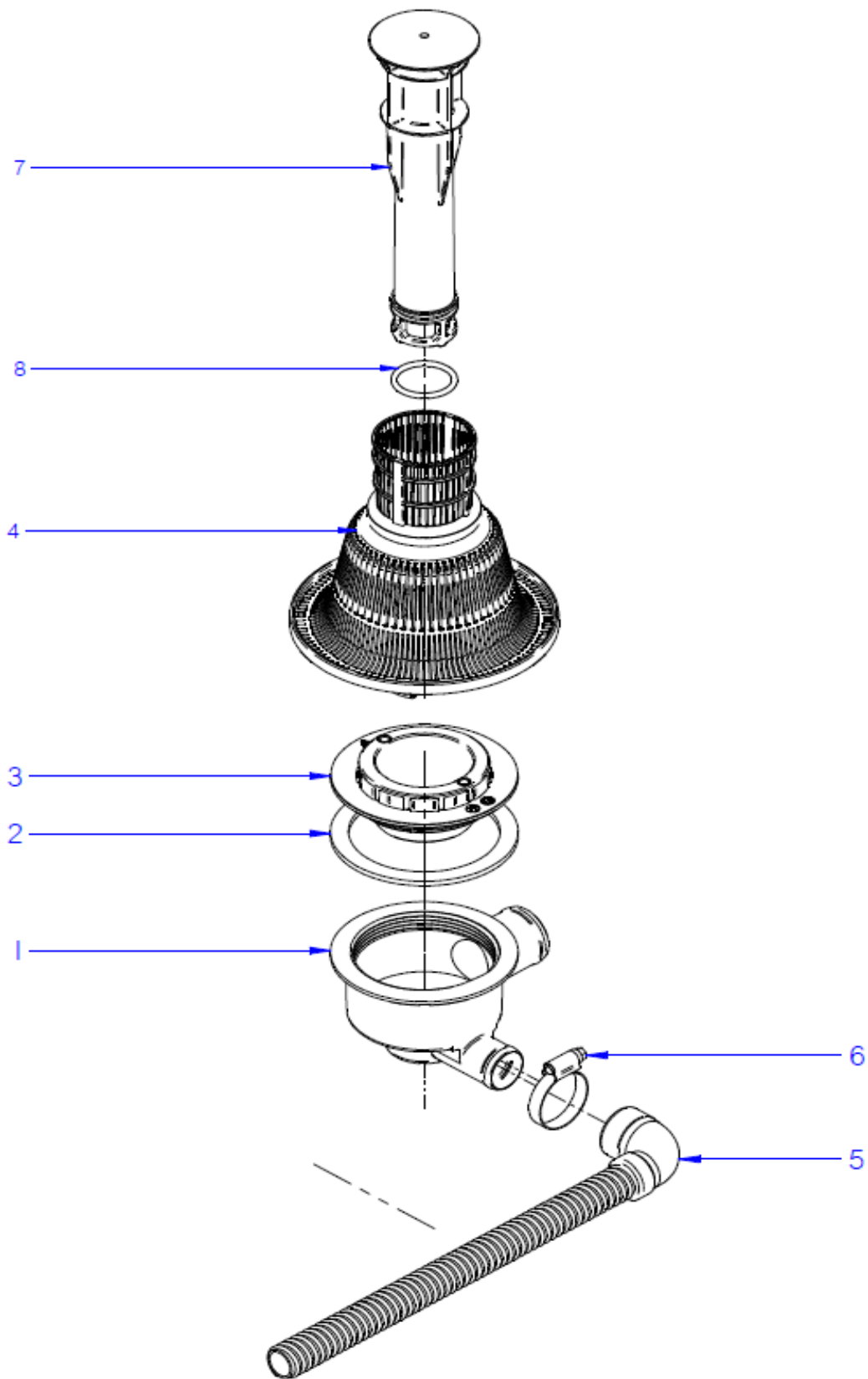
ITEM	REFERENCIA REFERENCE	DENOMINACIÓN	DENOMINATION	CO-501	CO-500								RECOMMENDED	ELIMINADO ELIMINATED	INTRODUCIDO INTRODUCED	NOTAS / NOTES
3	12043455	SOPORTE RESORTE PUERTA DCHA	DOOR SPRING RIGHT SUPPORT	1	1											
4	12043457	SOPORTE RESORTE PUERTA IZDA	DOOR SPRING LEFT SUPPORT	1	1											
5	12043554	EJE RESORTE	SPRING SHAFT	4	4											
6	12043429	RESORTE PUERTA	DOOR SPRING	2	2											
7	12109967	BANDEJA FILTRO ALIVIADERO	SPILLWAY FILTER TRAY	1	-											
7	12152952	BANDEJA FILTRO CO-500 COMPLETA	CO-500 COMPLETE FILTER TRAY	-	1											
8	12109964	BANDEJA CONCEPT LISA (DCHA.)	CONCEPT FLAT TRAY (RIGHT)	1	-											
9	12098244	SOPORTE CENTRAL BANDEJAS	CENTRAL TRAYS SUPPORT	1	-											
11	12103774	SUJECIÓN PANEL LATERAL DCHO.	RIGHT SIDE PANEL FASTENING	1	1								13/06/2016			
11	12135515	SUJECIÓN PANEL LATERAL DCHO.	RIGHT SIDE PANEL FASTENING	1	1									13/06/2016		
12	12103787	SUJECIÓN PANEL LATERAL IZDO.	LEFT SIDE PANEL FASTENING	1	1								13/06/2016			
12	12135516	SUJECIÓN PANEL LATERAL IZDO.	LEFT SIDE PANEL FASTENING	1	1									13/06/2016		
13	12049352	BURLETE APERTURA FRONTAL	FRONT LOADING GASKET	1	1											
14	12103683	TAPA PORTAMANDOS CONCEPT	CONTROL PANEL COVER CONCEPT	1	1											
15	12122224	PANEL LATERAL IZDO	LEFT SIDE PANEL	1	1								13/06/2016			
15	12133785	PANEL LATERAL IZDO	LEFT SIDE PANEL	1	1									13/06/2016		
16	12122222	PANEL LATERAL DCHO	RIGHT SIDE PANEL	1	1								13/06/2016			
16	12133784	PANEL LATERAL DCHO	RIGHT SIDE PANEL	1	1									13/06/2016		
17	12122220	PANEL FRONTAL	FRONT PANEL	1	1											
18	12127604	PANEL POSTERIOR	REAR PANEL	1	-								13/06/2016			
18	12133825	PANEL POSTERIOR	REAR PANEL	1	-									13/06/2016		
18	12127604	PANEL POSTERIOR	REAR PANEL	-	1								07/03/2016			
18	12133350	PANEL POSTERIOR	REAR PANEL	-	1								13/06/2016	07/03/2016		SIN VENTANA/WITHOUT WINDOW
18	12138017	PANEL POSTERIOR	REAR PANEL	-	1									13/06/2016		
19	12111378	ESPUMA CIERRE TAPA PORTAMAND.	CTRL. P. COVER CLOSURE FOAM	1	1											
20	12024163	PATA REGULABLE	REGULABLE FEET	4	4											
21	12025011	CESTILLO BASE CT-10	CT-10 BASE BASKET	1	1											
22	12024990	CESTILLO PLATOS CP-16-18	CP-16-18 PLATES BASKET	1	1											
23	12023745	CESTILLO CUBIERTOS	CUTLERY BASKET	1	1											
24	12087215	TUERCA RÁPIDA M5 MIKALOR	MIKALOR QUICK NUT M5	19	19											
25	12044905	SOPORTE BULBO TERMOMETRO	THERMOSTAT BULB SUPPORT	1	1											
26	12097279	MUELLE APERTURA FRONTAL	FRONT LOADING SPRING	2	2											



Drawing Nr.	Signature	Date	LAVADO / WASHING FUNCTIONAL PART	Sheet
C3287	Iban R.	nov-14	CO-500-501	2



ITEM	REFERENCIA REFERENCE	DENOMINACIÓN	DENOMINATION	CO-500-501	CO-500-501 DD							RECOMMENDED	ELIMINADO ELIMINATED	INTRODUCIDO INTRODUCED	NOTAS / NOTES
1	12024376	CONDENSADOR 10MF	10MF CAPACITOR	1	1							X			
2	12043784	SOPORTE BOMBA LAVADO	WASHIG PUMP SUPPORT	1	1										
3	12023556	BASE BOMBA LAVADO 1003016	WASHIG PUMP BASE 1003016	1	1										
4	12043287	MOTOBOMBA 590KW 50Hz	WASHIG PUMP 590KW 50Hz	1	1							X			
4	12102834	MOTOBOMBA 590KW 60Hz	WASHIG PUMP 590KW 60Hz	1	1							X			
5	12009962	ABRAZADERA 40-60	40-60 CLAMP	3	3										
6	12009933	ABRAZADERA 50-70L	50-70L CLAMP	1	1										
7	12041614	SOP. DISTRIBUIDOR SUPERIOR	UPPER SPRY-ARM SUPPORT	1	1										
8	12041531	AMARRE SOPORTE DISTR. SUPERIOR	UPPER DISTRIB. SUPPORT FASTENING	1	1										
9	12043289	EJE LAVADO FRONTAL	WASHING SHAFT FRONT LOADING	1	1										
10	12047863	SOP. DISTRIBUIDOR INFERIOR	LOWER SPRY-ARM SUPPORT	1	1										
11	12048535	EJE LAVADO AF CONCEPT	WASHING SHAFT FRONT LOADING	1	1										
12	12048042	AMARRE SOPORTE DISTR. INFERIOR	LOW. DISTRIB. SUPPORT FASTENING	1	1										
13	12025122	DISTRIBUIDOR MONTADO	COMPLETE DISTRIBUTOR	2	2										
14	12110631	ENGANCHE DISTRIBUIDOR LATON	LATON DISTRIBUTOR HOOK	2	2										
15	12024289	AMARRE ENGANCHE DISTRIBUI	DISTRIBUTOR HOOK FASTENING	2	2										
16	12041629	PROTECTOR FUGAS	LEAKAGE PROTECTOR	2	2										
19	12049052	JUNTA 53,57x3,53 SOP DISTRI INFE	O-RING Ø53,57 x 3,53 LOW. DISTRIB.	1	1										
20	12049055	JUNTA TORICA Ø50,39 x 3,53	O-RING Ø50,39 x 3,53	1	1										
21	12041930	ARBOL LAVADO	WASHING TREE	1	1										
22	12009986	ABRAZADERA 32-50L	32-50L CLAMP	2	2										
23	12103941	CODO ASPIRACION CONCEPT	SUCTION ELBOW ADVANCE	1	1										
24	12041926	CODO IMPULSION CONCEPT	EXPULSION ELBOW ADVANCE	1	1										
25	12113596	RAMA ACLARADO IZQ COMPLETA	COMPLETE LEFT RINSE BRANCH	2	2										
26	12113893	EJE ACLARADO CONCEPT EVO	RINSE SHAFT CONCEPT EVO	2	2										
27	12009829	TORNILLO ESPECIAL M.5X0.8	SPECIAL SCREW M.5X0.8	2	2										
28	12115944	CALZO EJE LAVADO	WASHING SHAFT SHIM	1	1										
29	12102040	SOPORT. DOSIFICADORES	DISPENSERS SUPPORT	-	1										
30	12024216	DOSIFIC. DGTE REGULABLE G300	REGUL. DETERG. DISPENSER G300	-	1							X			
31	12024531	INYECTOR DETERGENTE INOX	DETERGENT INJECTOR	-	1										
32	12024139	CONDUCTO ASPIRACIÓN AZKOY CO	AZKOY SUCTION PIPE	-	1										

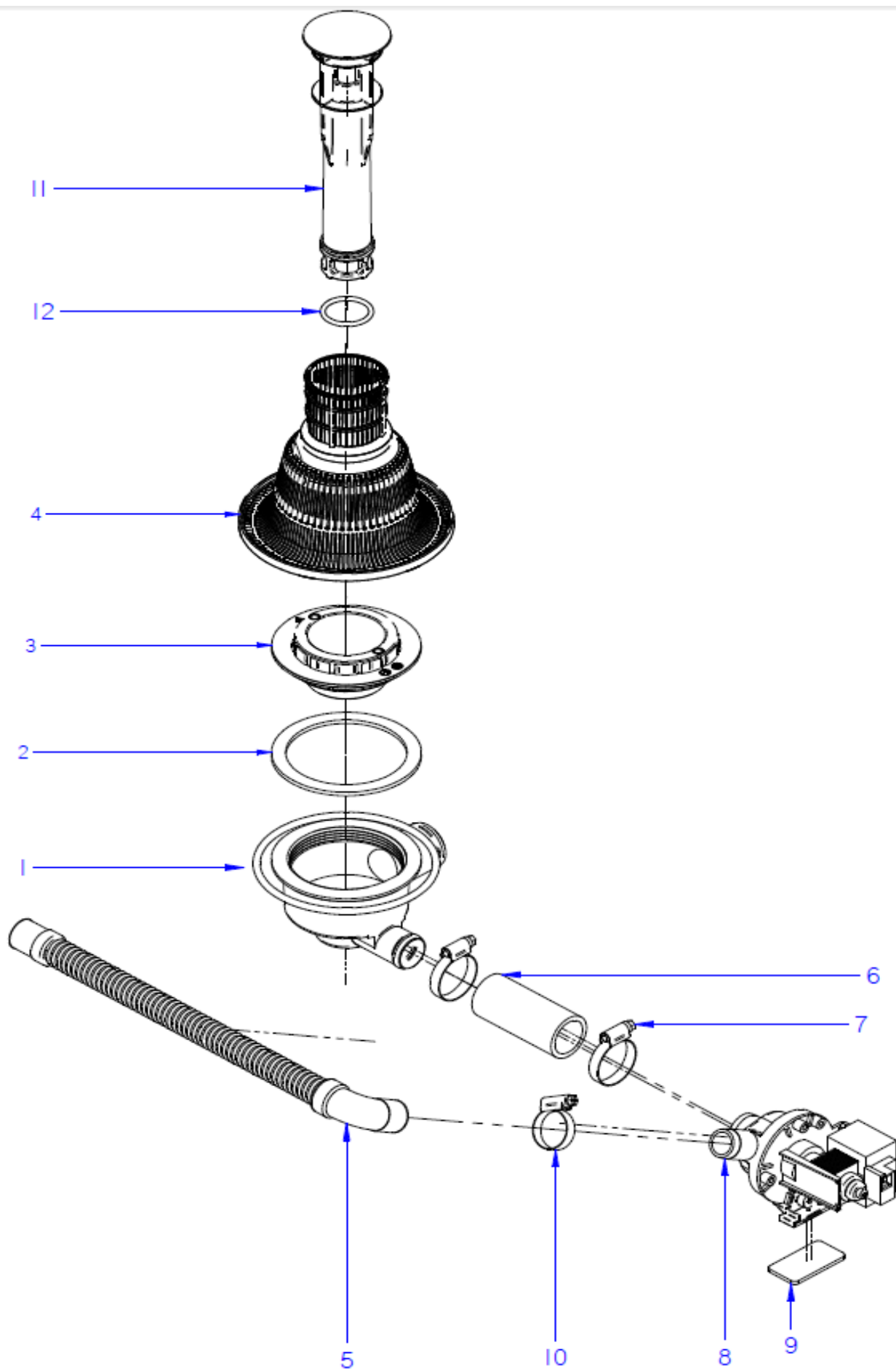


Drawing Nr.	Signature	Date	DESAGÜE / DRAINING PART	Sheet
C3288	Iban R.	oct-14	CO-500-501	3

ZONA / ZONE **DESAGÜE / DRAIN**

LÁMINA / DRAWING **C-3288** **FAGOR** 

ITEM	REFERENCIA REFERENCE	DENOMINACIÓN	DENOMINATION	CO-500-501										RECOMMENDED	ELIMINADO ELIMINATED	INTRODUCIDO INTRODUCED	NOTAS / NOTES
1	12041533	CUBETA A.F. ADVANCE	FRONT LOADING PAIL ADVANCE	1													
2	12041925	JUNTA Ø110xØ89x3.5	Ø110xØ89x3.5 SEAL	1													
3	12041600	AMARRE CUBETA A.F. ADVANCE	FRONT LOADING PAIL FASTENING	1													
4	12150515	FILTRO COMPLETO CONCEPT	COMPLETE FILTER CONCEPT	1													
5	12115471	MANGUERA DESAGÜE	DRAINING PIPE	1									X				
6	12009997	ABRAZADERA 25-40	25-40 CLAMP	1													
7	12049632	ALIVIADERO COMPLETO	COMPLETE SPILLWAY	1													
8	12115850	JUNTA TORICA ALIVIADERO	SPILLWAY O-RING	1													
	19013376	KIT BOMBA DE DESAGÜE	DRAINING PUMP KIT														



Drawing Nr.	Signature	Date	DESAGÜE (BOMBA) / DRAIN (PUMP)	Sheet
C3289	Iban R.	nov-14	CO-500-501	4

ZONA / ZONE

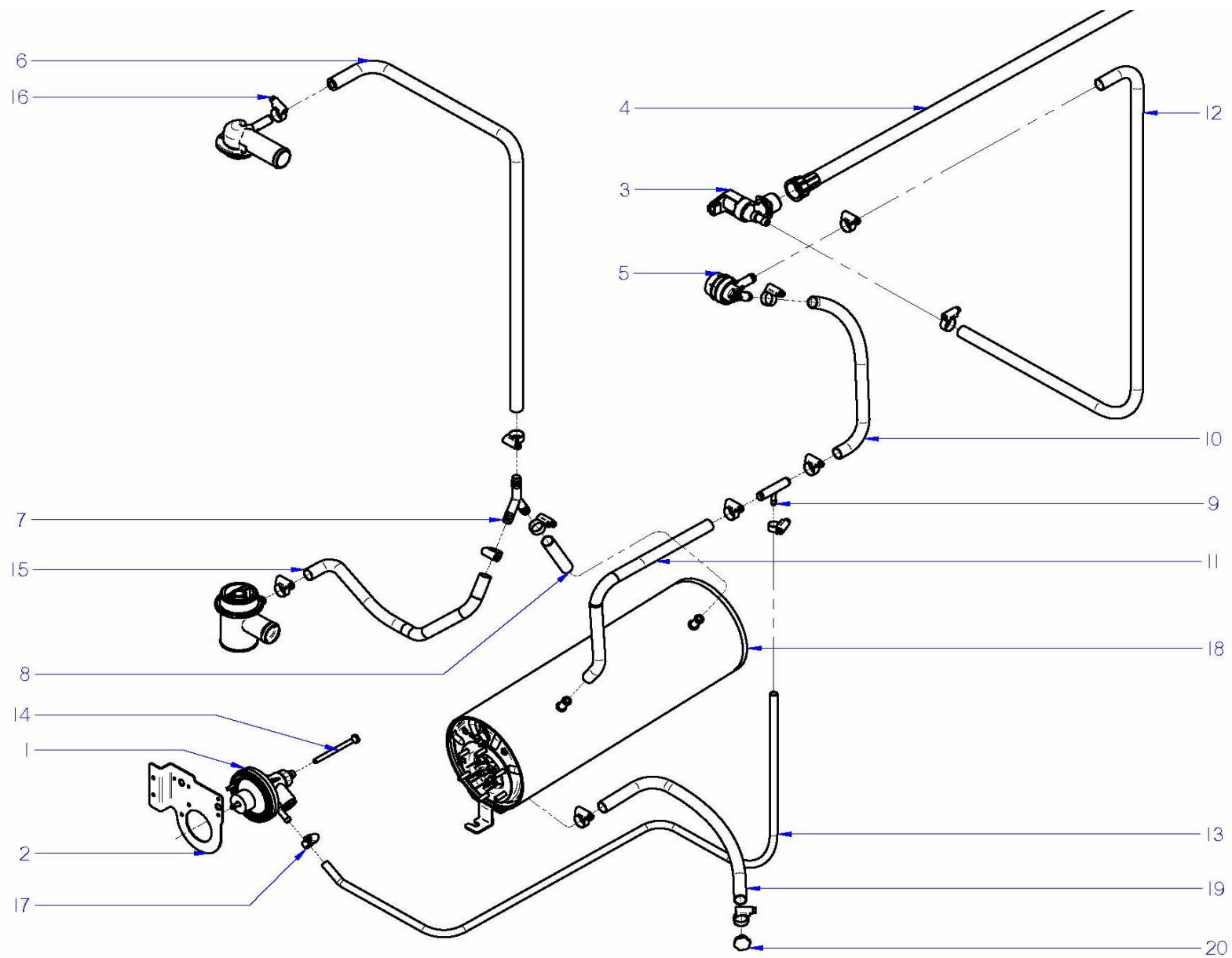
DESAGÜE / DRAIN

LÁMINA / DRAWING

C-3289

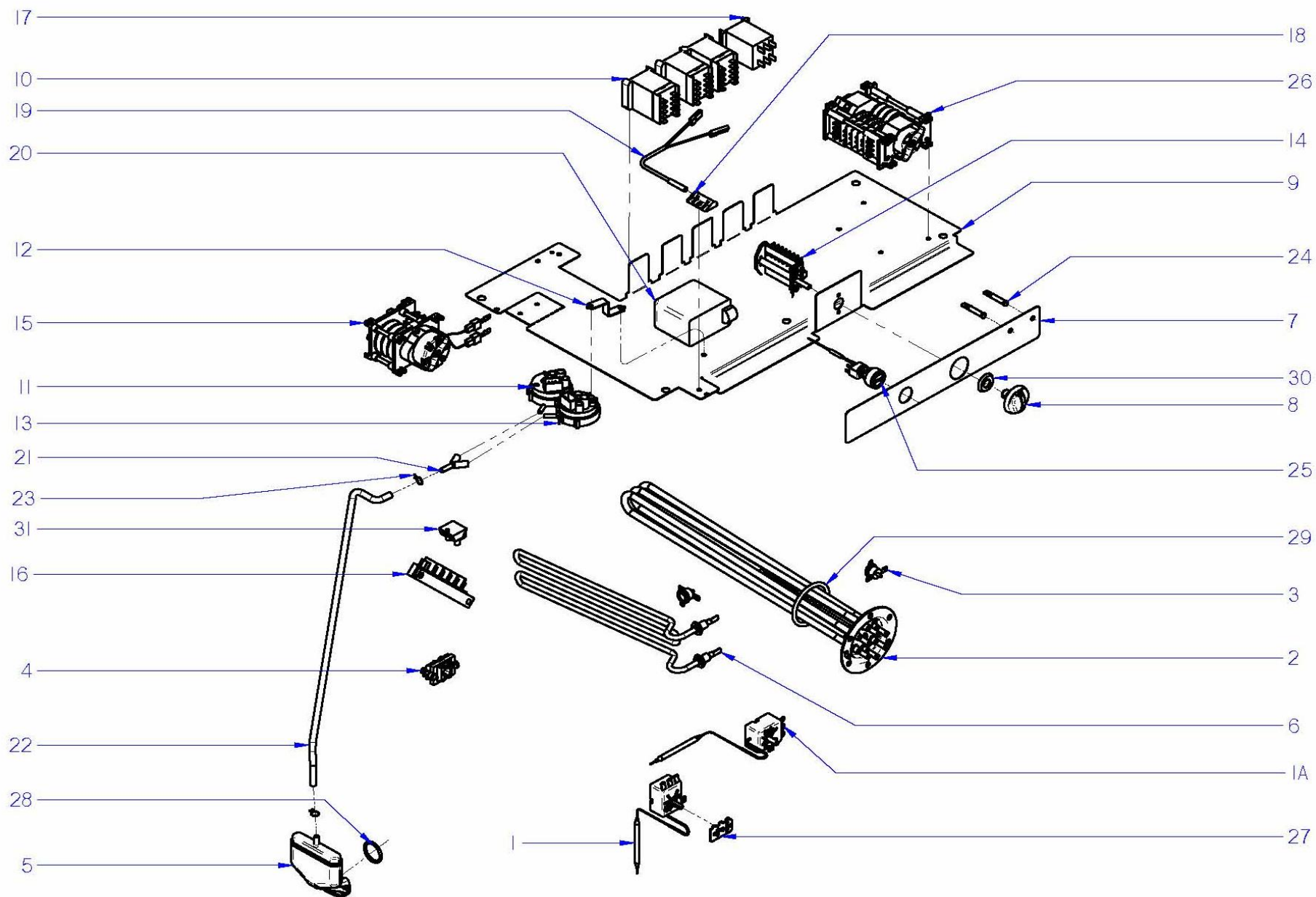


ITEM	REFERENCIA REFERENCE	DENOMINACIÓN	DENOMINATION	CO-500-501 B											RECOMMENDED	ELIMINADO ELIMINATED	INTRODUCIDO INTRODUCED	NOTAS / NOTES	
1	12041533	CUBETA A.F.	FRONT LOADING PAIL	1															
2	12041925	JUNTA Ø110xØ89x3.5	Ø110xØ89x3.5 SEAL	1															
3	12041600	AMARRE CUBETA A.F. ADVANCE	FRONT LOADING PAIL FASTENING	1															
4	12150515	FILTRO COMPLETO CONCEPT	COMPLETE FILTER CONCEPT	1															
5	12023666	MANGUERA DESAGÜE	DRAINING PIPE	1										X					
6	12041924	COND. CUBETA-BOMBA DESAGÜE	PAIL - DRAINING PUMP PIPE	1															
7	12009997	ABRAZADERA 25-40	25-40 CLAMP	2															
8	12094265	BOMBA DESAGÜE	DRAINING PUMP	1										X					
9	12010021	JUNTA GUIA	GUIDE SEAL	1															
10	12010023	ABRAZADERA 20-32	20-32 CLAMP	1															
11	12114854	ALIVIADERO COMP. VERSION BD	DR. PUMP VERSION SPILLWAY	1															
12	12115850	JUNTA TORICA ALIVIADERO	SPILLWAY O-RING	1															



Drawing Nr.	Signature	Date	ACLARADO / RINSE	Sheet
C-3290	Iban R.	oct-15	CO-500-501	5

ITEM	REFERENCIA REFERENCE	DENOMINACIÓN	DENOMINATION	CO-500-501								RECOMMENDED	ELIMINADO ELIMINATED	INTRODUCIDO INTRODUCED	NOTAS / NOTES
1	12136986	KIT DOSIF. ABRILL. HIDRAULIC. SEKO	KIT HIDRAUL. RINSE AID DISP. SEKO	1									01/05/2016		SOLO / ONLY B MODELS
1	12133010	DOSIFICADOR ABRILL. SEKO	SEKO RINSE AID DISPENSER	1								X			
2	12136226	SOPORTE TERMOSTATO Y DOSIFIC	THERMOST. AND DISPENSER SUPP.	1											
3	12095427	E.V SIMPLE 220V SALIDA A 90º	SIMPLE E.V 90º EXIT	1								X			
4	12024115	MANGUERA ENTRADA AGUA	WATER SUPPLY HOSE	1											
5	12024568	VALVULA ANTIRRETORNO	NON-RETURN VALVE	1											
6	11000083	TUBO GOMA NEGRA D 17x10	BLACK RUBBER PIPE D 17x10	1											
7	12023511	RACORD EN Y	Y FITTING	1											
8	11000083	TUBO GOMA NEGRA D 17x10	BLACK RUBBER PIPE D 17x10	1											
9	12025288	TOMA PRESION	PRESSURE FITTING	1											
10	11000083	TUBO GOMA NEGRA D 17x10	BLACK RUBBER PIPE D 17x10	1											
11	11000083	TUBO GOMA NEGRA D 17x10	BLACK RUBBER PIPE D 17x10	1											
12	11000083	TUBO GOMA NEGRA D 17x10	BLACK RUBBER PIPE D 17x10	1											
13	11002150	TUBO_EPDM_TRENZADO_6x12	BRIDED PIPE D 6X12	1											
14	12024139	CONDUCTO ASPIRACIÓN AZKOY CO	AZKOY SUCTION PIPE	1											
15	11000083	TUBO GOMA NEGRA D 17x10	BLACK RUBBER PIPE D 17x10	1											
16	12010036	ABRAZADERA 12-20	12-20 CLAMP	10											
17	12010047	ABRAZADERA 8-14L	8-14L CLAMP	2											
18	12097081	CALDERIN CONCEPT SOLDADO	CONCEPT BOILER WELDED	1											
19	11000083	TUBO GOMA NEGRA D 17x10	BLACK RUBBER PIPE D 17x10	1											
20	12041528	TAPON M10x1.5	M10x1.5 CAP	1											

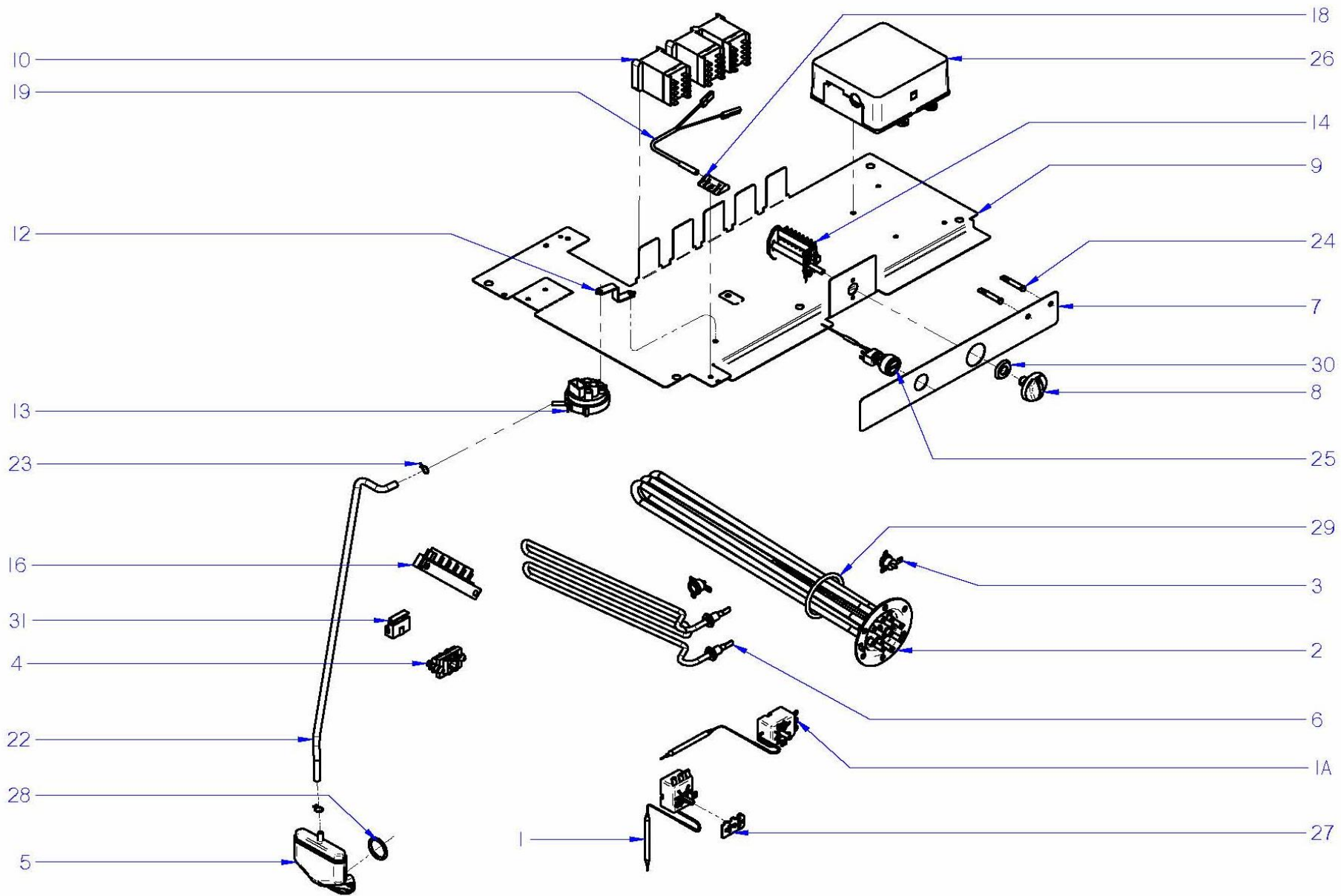


CO-501 HASTA / UNTIL 07-03-2016

Drawing Nr.	Signature	Date	CONJUNTO ELECTRICO / ELECTRIC PART	Sheet
C-3291	Iban R.	nov-15	CO-500-501	7

ITEM	REFERENCIA REFERENCE	DENOMINACIÓN	DENOMINATION	CO-500	CO-501							RECOMMENDED	ELIMINADO ELIMINATED	INTRODUCIDO INTRODUCED	NOTAS / NOTES
1	12130561	KIT TERMOSTATO TECASA 85 + REG.	KIT THERMOSTAT TECASA 85 + REG.	1	1							X			
1A	12134992	TERMOSTATO CALDERIN 85° TECASA	THERMOSTAT 85°C TECASA	1	1										
2	12098745	RESISTENCIA CALDERIN 6KW	BOILER'S RESISTOR 6KW	1	1										
3	12096597	TERM.SEG. 261B 110°C FAST 90	SAFETY THER. 261B 110°C FAST 90	2	2							X			
4	12024230	RETENEDOR DE CABLE	CABLE RETAINER	1	1										
5	12093146	CAMPANA TANQUE	TUB'S PRESSURE CHAMBER	1	1							X			
6	12048965	RESISTENCIA TANQUE 2800W	TUB'S RESISTOR 2800W	1	1							X			
7	12092556	EMBELLECEDOR CO-501 SOFT	CO-501 STICKER	1	1							X			
8	12115972	CONJUNTO MANDO CONCEPT	CONCEPT KNOB ASSEMBLED	1	1							X			
9	12047982	SOP. COMPONENTES ELECTRICOS	ELECTRIC COMPONENTS SUPPORT	1	1										
10	12024011	CONTACTOR 230 V. 50-60 HZ	230 V. 50-60 HZ CONTACTOR	3	3							X			
11	12096970	PRESOSTATO 1,40-6,30 BAR SIMPLE	1,40-6,30 BAR PRESSURE SWITCH	1	1							X			
12	12098323	SOPORTE PRESOSTATO AF	PRESSURE SWITCH SUPPORT	1	1										
13	12096968	PRESOSTATO 1,40-6,30 BAR SIMPLE	1,40-6,30 BAR PRESSURE SWITCH	1	1							X			
14	12024445	CONMUTADOR DE FUNCIONES	SWITCH FOR FUNCTIONS	1	1										
16	12025183	REGLETA AUXILIAR FV-122	AUX. CONNECTION STRIP FV-122	1	1										
17	12023706	RELE 230V. 16A 50-60 HZ	230V. 16A 50-60 HZ RELAY	1	1							X			
18	12024066	AMARRE INTERRUPTOR MAGNETICO	MAGNETIC SWITCH'S SUPPORT	1	1										
19	12024477	INTERRUPTOR MAGNETICO	MAGNETIC SWITCH	1	1							X			
20	12110686	SOFT START AF	SOFT START AF	1	1							X			
21	12023510	RACORD EN Y	Y FITTING	1	1										
22	11000066	TUBO GOMA NEGRO D 8*4	BLACK RUBBER PIPE D 8*4	1	1										
23	12023707	BRIDA ELASTICA TUBO	ELASTIC CLAMP FOR PIPES	2	2										
24	12132355	PILOTO BLANCO	WHITE PILOT	2	2										
25	12115383	PULSADOR 220V AC 5A 1VIA 1POS	220V AC 5A 1WAY 1POS PUSHBUTTON	1	1							X			
26	12092150	PROGRAMADOR 230V AC 50Hz 5LEV	PROGRAMMER 230 AC 50Hz 16A 5LEV	1	1							X	08/09/2016		
26	12024873	PROGRAMADOR DE CICLO	CYCLE PROGRAMMER	1	-							X		08/09/2016	
26	12102987	PROGRAMADOR 230V AC 60Hz 5LEV	PROGRAMMER 230 AC 60Hz 16A 5LEV	1	1							X	07/03/2016		
26	12024871	PROGRAMADOR 230V AC 60Hz 5LEV	PROGRAMMER 230 AC 60Hz 16A 5LEV	1	1							X		07/03/2016	
27	12044848	REGULADOR A 60°C Tt DE 85°C	60°C Tt DE 85°C REGULATOR	1	1										
28	12093145	JUNTA TORICA CAMPANA	PRESSURE CHAMBER'S O-RING	1	1										

ITEM	REFERENCIA REFERENCE	DENOMINACIÓN	DENOMINATION	CO-500	CO-501						RECOMMENDED	ELIMINADO ELIMINATED	INTRODUCIDO INTRODUCED	NOTAS / NOTES
29	12010051	JUNTA TORICA RESIST. CALDERIN	BOILER'S RESISTOR'S O-RING	1	1						X			
30	12024516	JUNTA CONMUTADOR	FUNCTIONS SWITCH SEAL	1	1									
31	12024110	REGLETA DE CONEXIONES	CONNECTION STRIP	1	1									



DESDE-FROM 07-03-2016

Drawing Nr.	Signature	Date	CONJUNTO ELECTRICO / ELECTRIC PART	Sheet
C-3291-1	Iban R.	mar-16	CO-501	7



ITEM	REFERENCIA REFERENCE	DENOMINACIÓN	DENOMINATION	CO-501								RECOMMENDED	ELIMINADO ELIMINATED	INTRODUCIDO INTRODUCED	NOTAS / NOTES
1	12130561	KIT TERMOSTATO TECASA 85 + REG.	KIT THERMOSTAT TECASA 85 + REG.	1								X			
1A	12134992	TERMOSTATO CALDERIN 85° TECASA	THERMOSTAT 85°C TECASA	1											
2	12098745	RESISTENCIA CALDERIN 6KW	BOILER'S RESISTOR 6KW	1								X			
3	12096597	TERM.SEG. 261B 110°C FAST 90	SAFETY THER. 261B 110°C FAST 90	2								X			
4	12024230	RETENEDOR DE CABLE	CABLE RETAINER	1											
5	12093146	CAMPANA TANQUE	TUB'S PRESSURE CHAMBER	1								X			
6	12048965	RESISTENCIA TANQUE 2800W	TUB'S RESISTOR 2800W	1								X			
7	12132310	EMBELLECEDOR CO-501	CO-501 STICKER	1								X			
8	12115972	CONJUNTO MANDO CONCEPT	CONCEPT KNOB ASSEMBLED	1								X			
9	12047982	SOP. COMPONENTES ELECTRICOS	ELECTRIC COMPONENTS SUPPORT	1											
10	12024011	CONTACTOR 230 V. 50-60 HZ	230 V. 50-60 HZ CONTACTOR	3								X			
12	12098323	SOPORTE PRESOSTATO AF	PRESSURE SWITCH SUPPORT	1											
13	12096968	PRESOSTATO 1,40-6,30 BAR SIMPLE	1,40-6,30 BAR PRESSURE SWITCH	1								X			
14	12133039	CONMUTADOR DE FUNCIONES	SWITCH FOR FUNCTIONS	1											
16	12025183	REGLETA AUXILIAR FV-122	AUX. CONNECTION STRIP FV-122	1											
18	12024066	AMARRE INTERRUPTOR MAGNETICO	MAGNETIC SWITCH'S SUPPORT	1											
19	12024477	INTERRUPTOR MAGNETICO	MAGNETIC SWITCH	1								X			
22	11000066	TUBO GOMA NEGRO D 8*4	BLACK RUBBER PIPE D 8*4	1											
23	12023707	BRIDA ELASTICA TUBO	ELASTIC CLAMP FOR PIPES	2											
24	12087178	PILOTO BLANCO	WHITE PILOT	2											
25	12115384	PULSADOR 5V DC 5A	220V 5V DC 5A PUSHBUTTON	1								X			
26	12110837	CONTROL TARJETA 230V AC 50/60 HZ	230V AC 50/60 HZ CONTROL CARD	1								X			
27	12044848	REGULADOR A 60°C Tt DE 85°C	60°C Tt DE 85°C REGULATOR	1											
28	12093145	JUNTA TORICA CAMPANA	PRESSURE CHAMBER'S O-RING	1											
29	12010051	JUNTA TORICA RESIST. CALDERIN	BOILER'S RESISTOR'S O-RING	1								X			
30	12024516	JUNTA CONMUTADOR	FUNCTIONS SWITCH SEAL	1											
31	12045569	BORNA PORTAFUSIBLE 13A 2,50MM2	13A 2,50MM2 FUSE TERMINAL	1											
	12024152	FUSIBLE 10A DIAMETRO 5 MM 20X5	10A 5MM 20X5 FUSE	1											

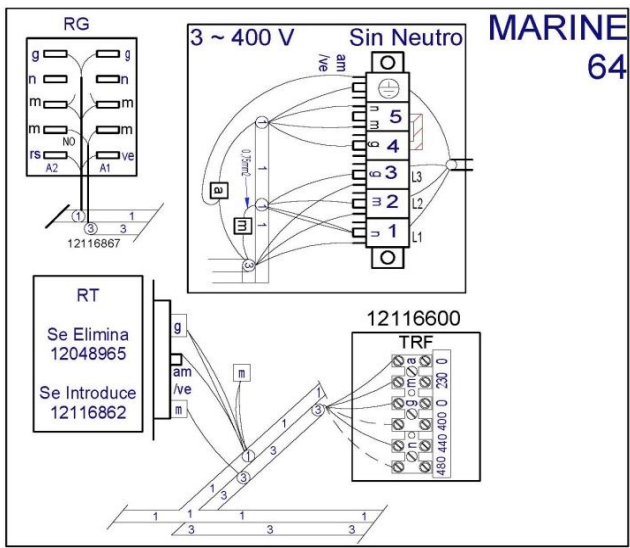
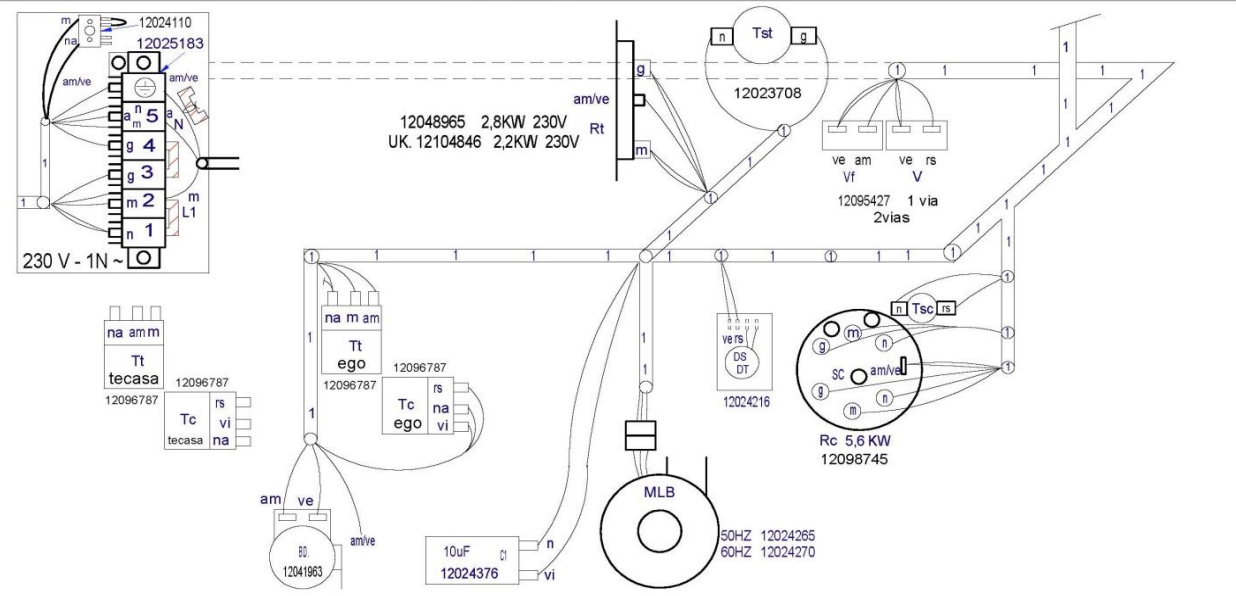
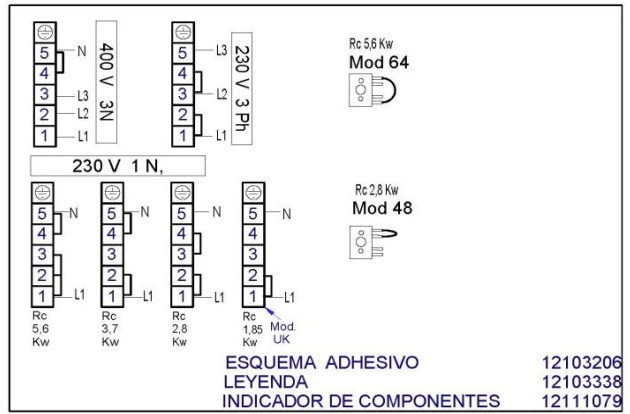
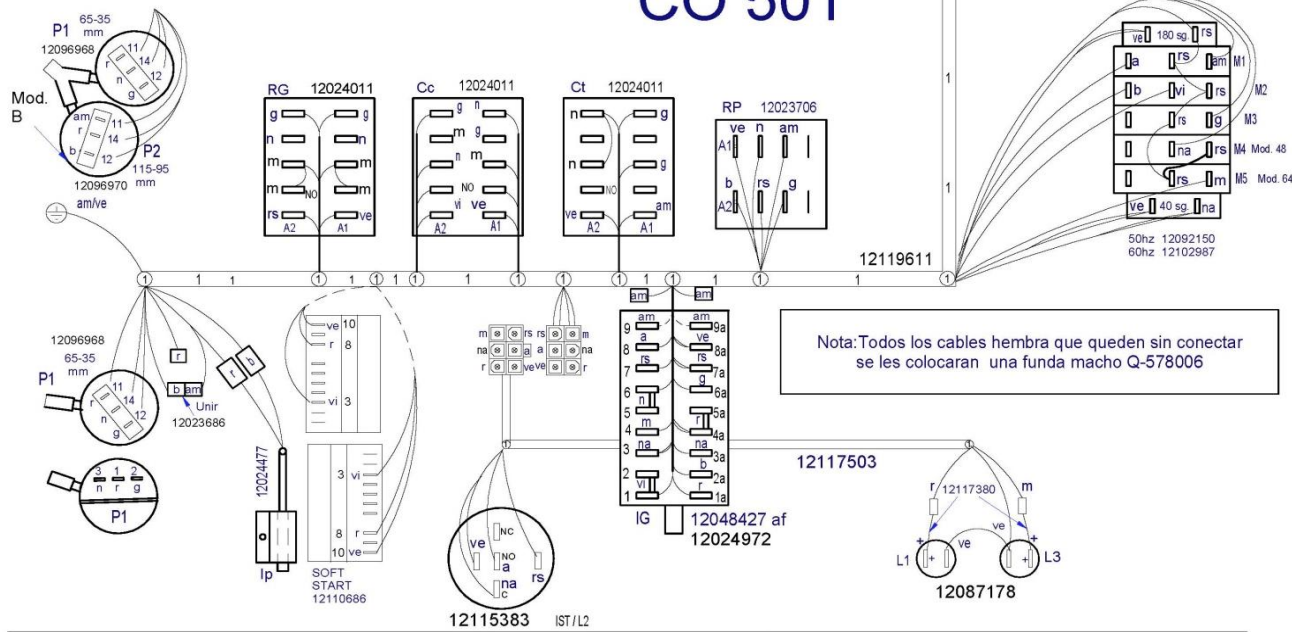
ZONA / ZONE	RECOMENDADOS / RECOMMENDED	LÁMINA / DRAWING	FAGOR 
-------------	----------------------------	------------------	---

ITEM	REFERENCIA REFERENCE	DENOMINACIÓN	DENOMINATION	CO-500	CO-500 DD	CO-500 B	CO-500 B DD					ELIMINADO ELIMINATED	INTRODUCIDO INTRODUCED	NOTAS / NOTES
1	12024376	CONDENSADOR 10MF	10MF CAPACITOR	1	1	1	1							C-3287
4	12043287	MOTOBOMBA 590KW 50Hz	WASHIG PUMP 590KW 50Hz	1	1	1	1							C-3287
4	12102834	MOTOBOMBA 590KW 60Hz	WASHIG PUMP 590KW 60Hz	1	1	1	1							C-3287
30	12024216	DOSIFIC. DGTE REGULABLE G300	REGUL. DETERG. DISPENSER G300	-	1	-	1							C-3287
5	12115471	MANGUERA DESAGÜE	DRAINING PIPE	1	1	-	-							C-3288
5	12023666	MANGUERA DESAGÜE	DRAINING PIPE	-	-	1	1							C-3289
8	12094265	BOMBA DESAGÜE	DRAINING PUMP	-	-	1	1							C-3289
1	12133010	DOSIFICADOR ABRILL. SEKO	SEKO RINSE AID DISPENSER	1	1	1	1							C-3290
3	12095427	E.V SIMPLE 220V SALIDA A 90º	SIMPLE E.V 90º EXIT	1	1	1	1							C-3290
1	12130561	KIT TERMOSTATO TECASA 85 + REG.	KIT THERMOSTAT TECASA 85 + REG.	1	1	1	1							C-3291
2	12098745	RESISTENCIA CALDERIN 6KW	BOILER'S RESISTOR 6KW	1	1	1	1				07/03/2016			C-3291
2	12098745	RESISTENCIA CALDERIN 2,8KW	BOILER'S RESISTOR 2.8KW	1	1	1	1					07/03/2016		C-3291
3	12096597	TERM.SEG. 261B 110ºC FAST 90	SAFETY THER. 261B 110ºC FAST 90	2	2	2	2							C-3291
5	12093146	CAMPANA TANQUE	TUB'S PRESSURE CHAMBER	1	1	1	1							C-3291
6	12048965	RESISTENCIA TANQUE 2800W	TUB'S RESISTOR 2800W	1	1	1	1							C-3291
7	12092556	EMBELLECEDOR CO-501	CO-501 STICKER	1	1	1	1				07/03/2016			C-3291
7	12093682	EMBELLECEDOR CO-400 B	CO-400 B STICKER	1	1	1	1					07/03/2016		C-3291
8	12115972	CONJUNTO MANDO CONCEPT	CONCEPT KNOB ASSEMBLED	1	1	1	1							C-3291
10	12024011	CONTACTOR 230 V. 50-60 HZ	230 V. 50-60 HZ CONTACTOR	3	3	3	3							C-3291
11	12096970	PRESOSTATO 1,40-6,30 BAR SIMPLE	1,40-6,30 BAR PRESSURE SWITCH	1	1	1	1							C-3291
13	12096968	PRESOSTATO 1,40-6,30 BAR SIMPLE	1,40-6,30 BAR PRESSURE SWITCH	1	1	1	1							C-3291
14	12024445	CONMUTADOR DE FUNCIONES	SWITCH FOR FUNCTIONS	1	1	1	1				07/03/2016			C-3291
14	12024972	CONMUTADOR DE FUNCIONES	SWITCH FOR FUNCTIONS	1	1	1	1					07/03/2016		C-3291
17	12023706	RELE 230V. 16A 50-60 HZ	230V. 16A 50-60 HZ RELAY	1	1	1	1							C-3291
19	12024477	INTERRUPTOR MAGNETICO	MAGNETIC SWITCH	1	1	1	1							C-3291
20	12110686	SOFT START AF	SOFT START AF	1	1	1	1							C-3291
25	12115383	PULSADOR 220V AC 5A 1VIA 1POS	220V AC 5A 1WAY 1POS PUSHBUTTON	1	1	1	1							C-3291
26	12092150	PROGRAMADOR 230V AC 50Hz 5LEV	PROGRAMMER 230 AC 50Hz 5LEV	1	1	1	1							C-3291
26	12102987	PROGRAMADOR 230V AC 60Hz 5LEV	PROGRAMMER 230 AC 60Hz 5LEV	1	1	1	1							C-3291
29	12010051	JUNTA TORICA RESIST. CALDERIN	BOILER'S RESISTOR'S O-RING	1	1	1	1							C-3291

ZONA / ZONE	RECOMENDADOS / RECOMMENDED	LÁMINA / DRAWING	FAGOR 
-------------	----------------------------	------------------	---

ITEM	REFERENCIA REFERENCE	DENOMINACIÓN	DENOMINATION	CO-501	CO-501 DD	CO-501 B	CO-501 B DD					ELIMINADO ELIMINATED	INTRODUCIDO INTRODUCED	NOTAS / NOTES
1	12024376	CONDENSADOR 10MF	10MF CAPACITOR	1	1	1	1							C-3287
4	12043287	MOTOBOMBA 590KW 50Hz	WASHIG PUMP 590KW 50Hz	1	1	1	1							C-3287
4	12102834	MOTOBOMBA 590KW 60Hz	WASHIG PUMP 590KW 60Hz	1	1	1	1							C-3287
30	12024216	DOSIFIC. DGTE REGULABLE G300	REGUL. DETERG. DISPENSER G300	-	1	-	1							C-3287
5	12115471	MANGUERA DESAGÜE	DRAINING PIPE	1	1	-	-							C-3288
5	12023666	MANGUERA DESAGÜE	DRAINING PIPE	-	-	1	1							C-3289
8	12094265	BOMBA DESAGÜE	DRAINING PUMP	-	-	1	1							C-3289
1	12045206	DOSIFICADOR ABRILL. AQUA	AQUA RINSE AID DISPENSER	1	1	1	1							C-3290
3	12095427	E.V SIMPLE 220V SALIDA A 90°	SIMPLE E.V 90° EXIT	1	1	1	1							C-3290
1	12130561	KIT TERMOSTATO TECASA 85 + REG.	KIT THERMOSTAT TECASA 85 + REG.	1	1	1	1							C-3291-1
2	12098745	RESISTENCIA CALDERIN 6KW	BOILER'S RESISTOR 6KW	1	1	1	1							C-3291-1
3	12096597	TERM.SEG. 261B 110°C FAST 90	SAFETY THER. 261B 110°C FAST 90	2	2	2	2							C-3291-1
5	12093146	CAMPANA TANQUE	TUB'S PRESSURE CHAMBER	1	1	1	1							C-3291-1
6	12048965	RESISTENCIA TANQUE 2800W	TUB'S RESISTOR 2800W	1	1	1	1							C-3291-1
7	12132310	EMBELLECEDOR CO-501	CO-501 STICKER	1	1	1	1					08/03/2016		C-3291-1
8	12115972	CONJUNTO MANDO CONCEPT	CONCEPT KNOB ASSEMBLED	1	1	1	1							C-3291-1
10	12024011	CONTACTOR 230 V. 50-60 HZ	230 V. 50-60 HZ CONTACTOR	3	3	3	3							C-3291-1
13	12096968	PRESOSTATO 1,40-6,30 BAR SIMPLE	1,40-6,30 BAR PRESSURE SWITCH	1	1	1	1							C-3291-1
14	12133039	CONMUTADOR DE FUNCIONES	SWITCH FOR FUNCTIONS	1	1	1	1							C-3291-1
19	12024477	INTERRUPTOR MAGNETICO	MAGNETIC SWITCH	1	1	1	1							C-3291-1
25	12115384	PULSADOR 5V DC 5A	5V DC 5A PUSHBUTTON	1	1	1	1							C-3291-1
26	12110837	TARJ. CONTROL AC 50/60Hz 5rel UL	CONTROL CARD AC 50/60Hz 5rel UL	1	1	1	1							C-3291-1
29	12010051	JUNTA TORICA RESIST. CALDERIN	BOILER'S RESISTOR'S O-RING	1	1	1	1							C-3291-1
	12110837	CONTROL TARJETA 230V AC 50/60 HZ	230V AC 50/60 HZ CONTROL CARD	1	1	1	1					08/03/2016		C-3291-1

CO 501



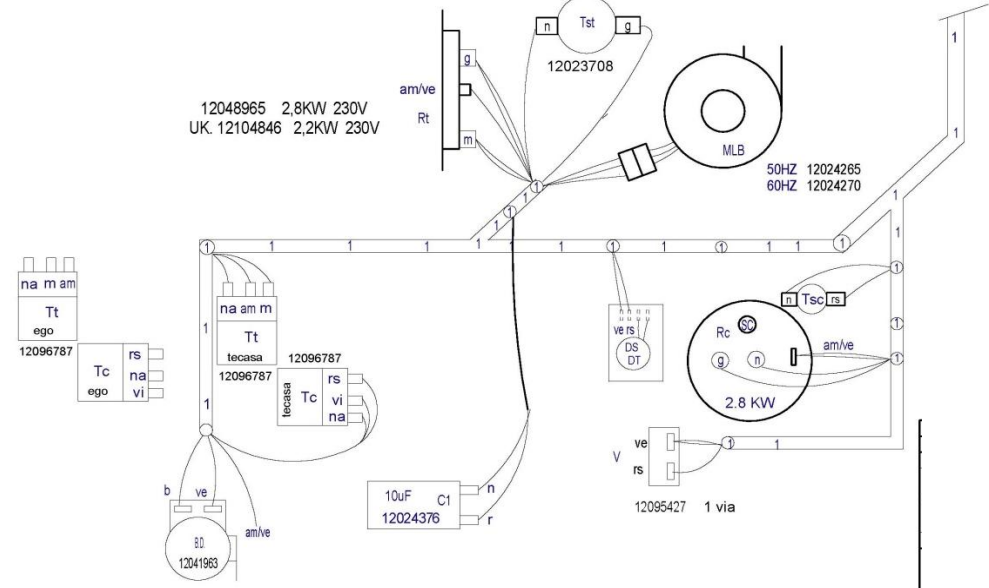
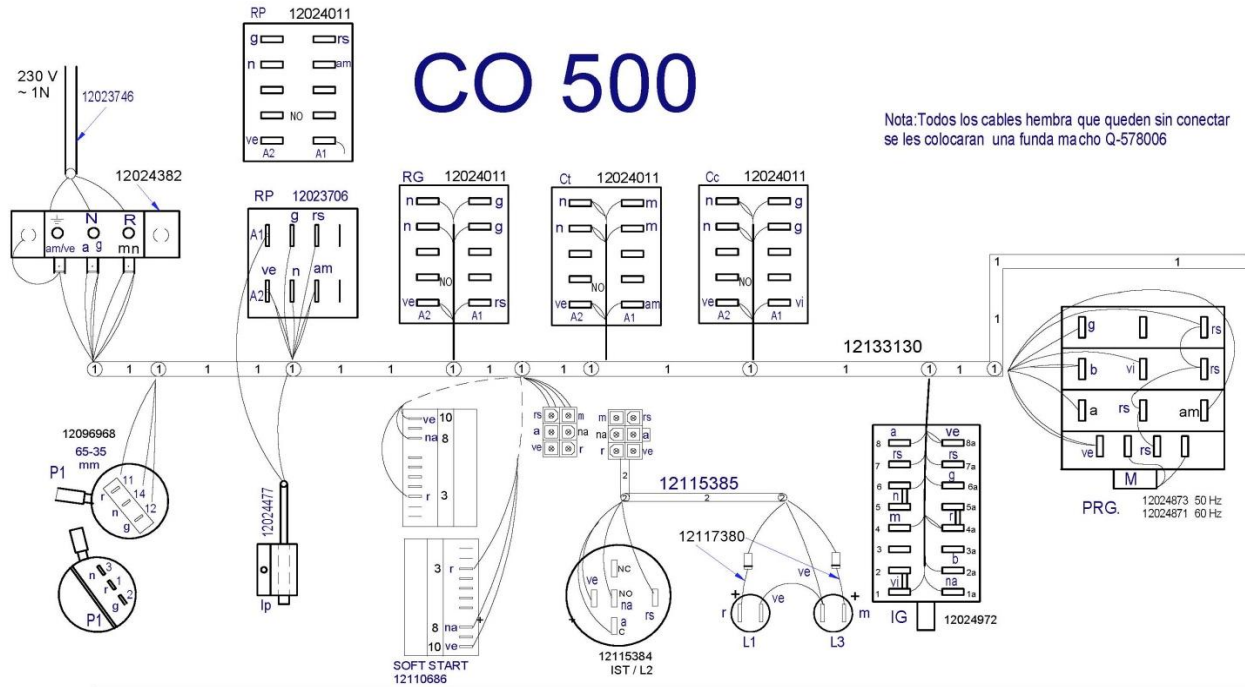
HASTA / UNTIL 07-03-2016

Drawing Nr.	Signature	Date	ESQUEMA MONTAJE / ASS. DIAGRAM	Sheet
	Iban R.	oct-15	CO-500-501	



CO 500

Nota: Todos los cables hembra que quedan sin conectar se les colocaran una funda macho Q-578006

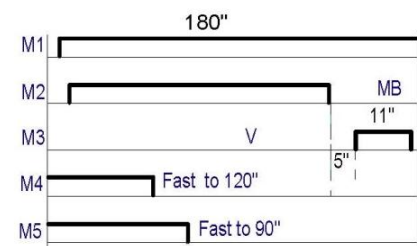
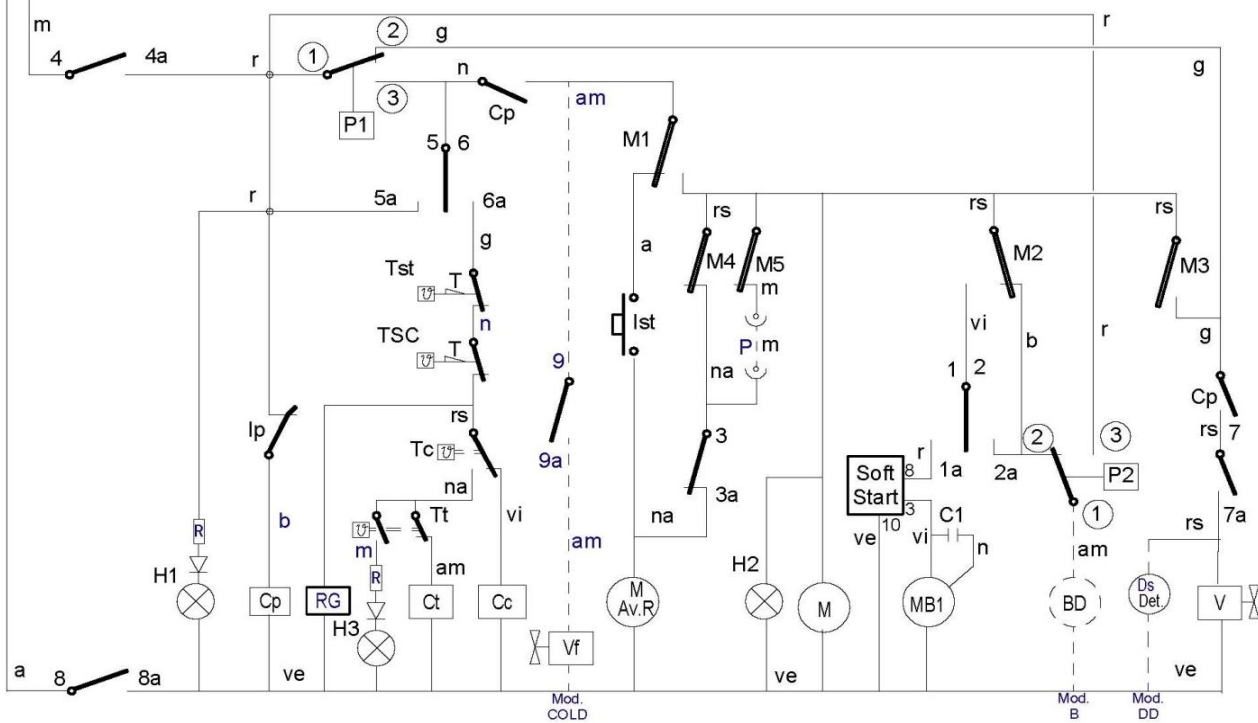
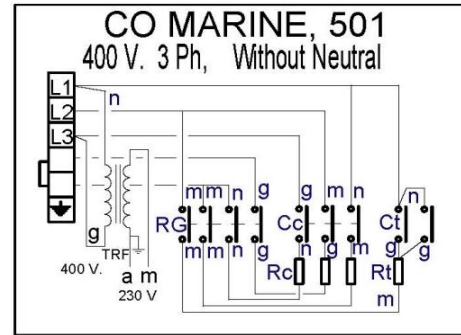
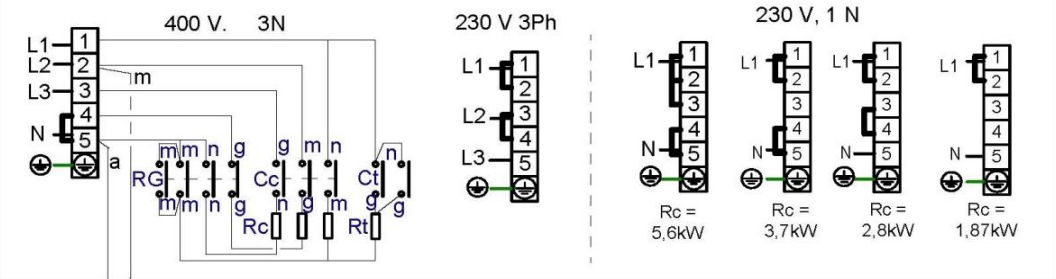


DESDE / FROM 07-03-2016

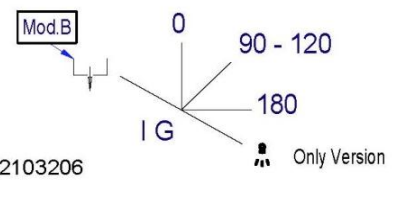
Drawing Nr.	Signature	Date	ESQUEMA MONTAJE / ASS. DIAGRAM	Sheet
	Iban R.	abr-16	CO-500	



CO 501, B, DD, COLD



IG	1-1a	2-2a	3-3a	4-4a	5-5a	6-6a	7-7a	8-8a	9-9a
0		X		X	X			X	
90-120	X		X	X		X	X	X	
180	X		X		X	X	X	X	
Only Version	X		X		X	X	X	X	X

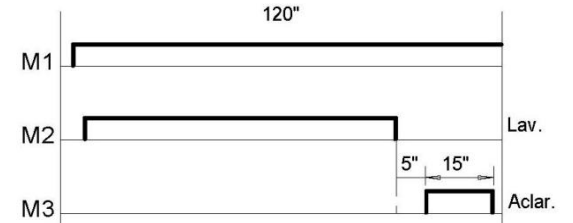
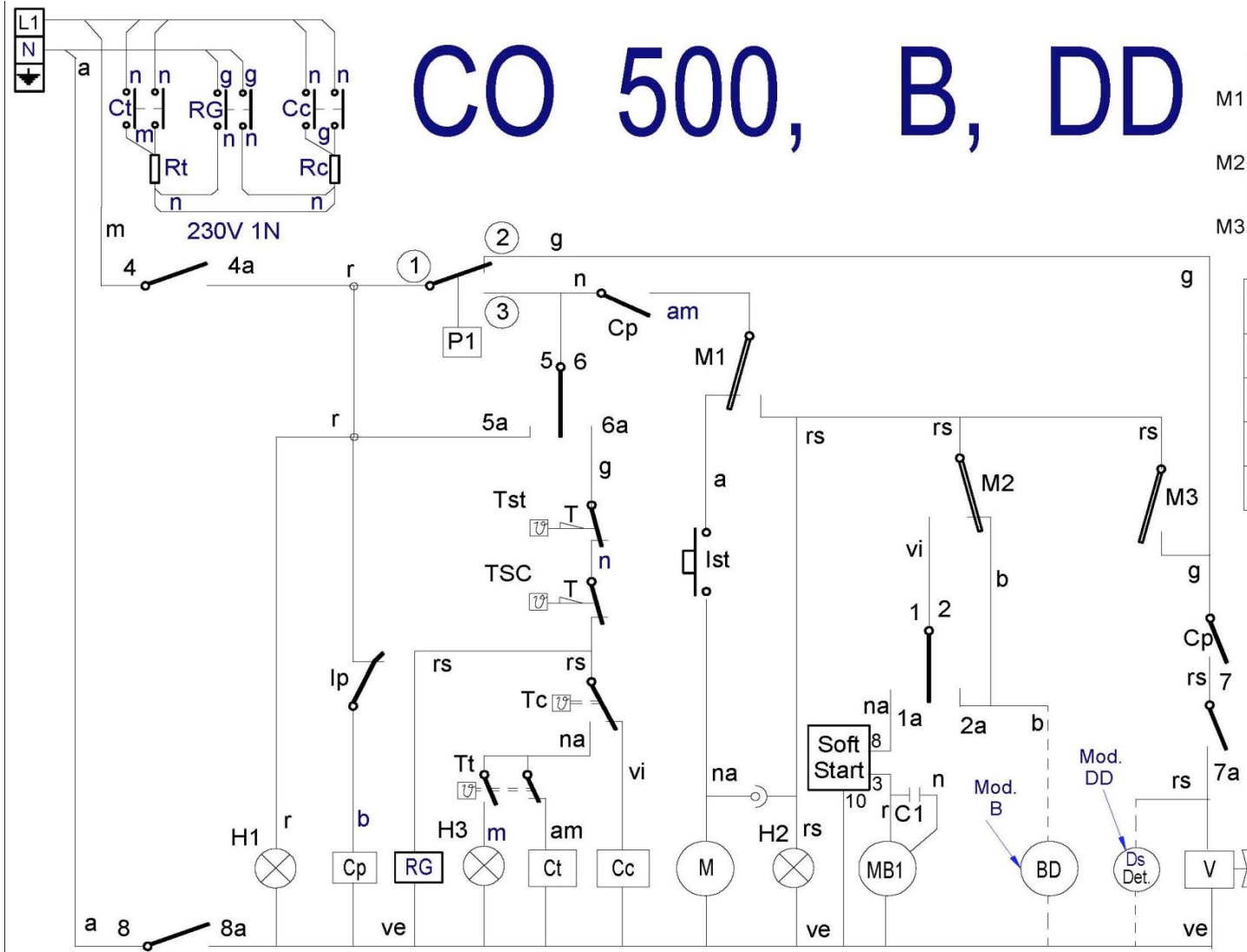


HASTA / UNTIL 07-03-2016

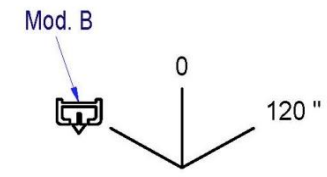
Drawing Nr.	Signature	Date	ESQUEMA ELECTRIC. / ELECTRIC DIAGRAM	Sheet
	Iban R.	oct-15	CO-500-501	



CO 500, B, DD



IG	1 - 2 1a 2a	3 3a	4 4a - 5a	5 - 6 6a	7 7a	8 8a
	X		X	X		X
0						
120"	X		X	X	X	X
	X	X	X	X	X	X

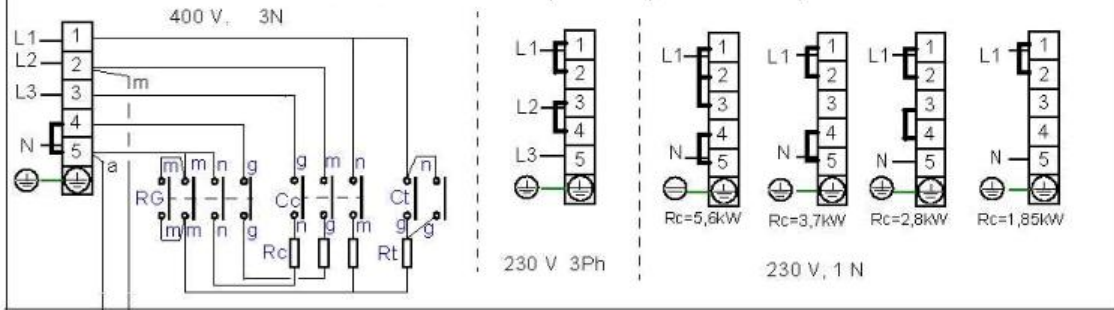


DESDE / FROM 07-03-2016

Drawing Nr.	Signature	Date	ESQUEMA ELECTRIC. / ELECTRIC DIAGRAM	Sheet
	Iban R.	abr-16	CO-500	

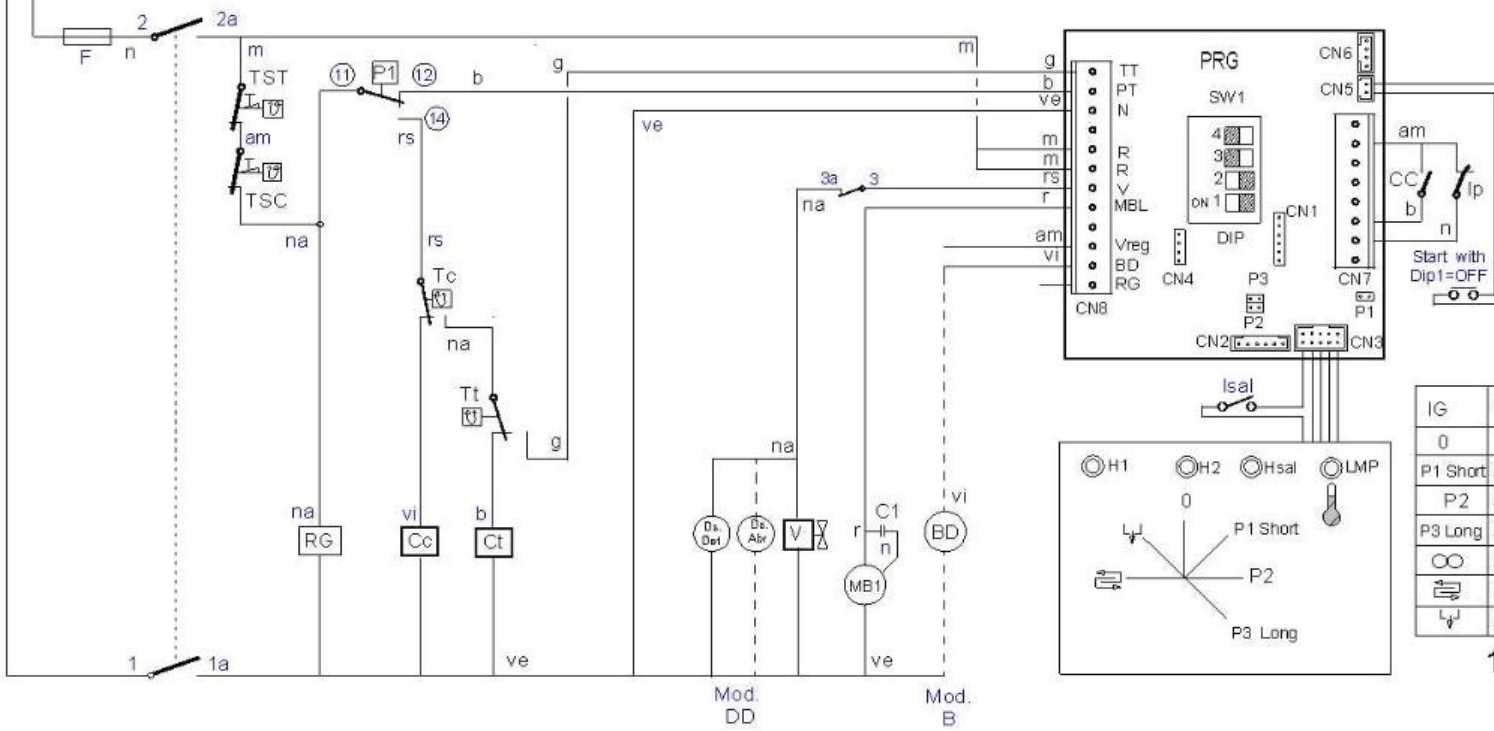
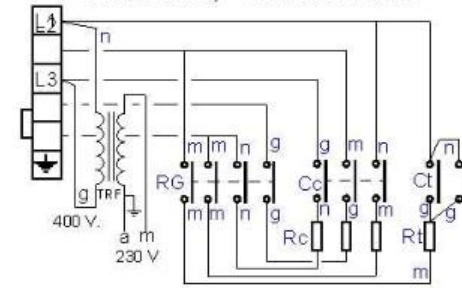


CO 501, B, DD,



CO 501 MARINE

400 V. 3 Ph, Without Neutral



IG	1 1a	2 2a	3-4 3a 4a	5 5a
0				
P1 Short	X	X	X	X
P2	X	X	X	X
P3 Long	X	X	X	X
∞	X	X	X	X
⊞	X	X	X	X
⊥	X	X	X	X

12134795

DESDE / FROM 07-03-2016

Drawing Nr.	Signature	Date	ESQUEMA TEORIC. / THEOR. DIAGRAM	Sheet
	Iban R.	abr-16	CO-501	



