

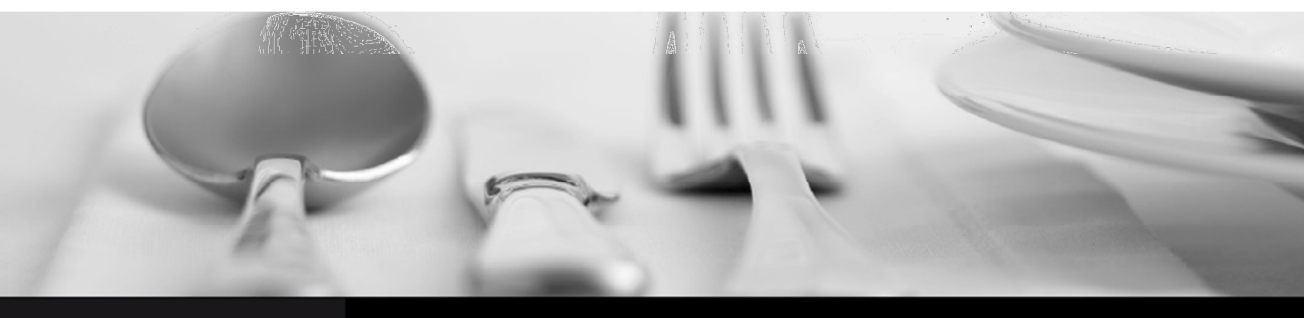
# DESPIECE TÉCNICO TECHNICAL PARTS

Lavavajillas  
Dishwasher

## MODELOS

CO-352 COLD / DD / B / B DD  
CO-402 COLD / DD / B / B DD

**Diciembre 2014 December**  
Revisado Mayo 2015 May Revised



C-3329

N plano / Drawing N.

Iban R

Firma / Signature

2014-12

Fecha / Date

CO-352-402 COLD GLASSWASHER

Aparato / Appliance

ARMAZON / FRAME

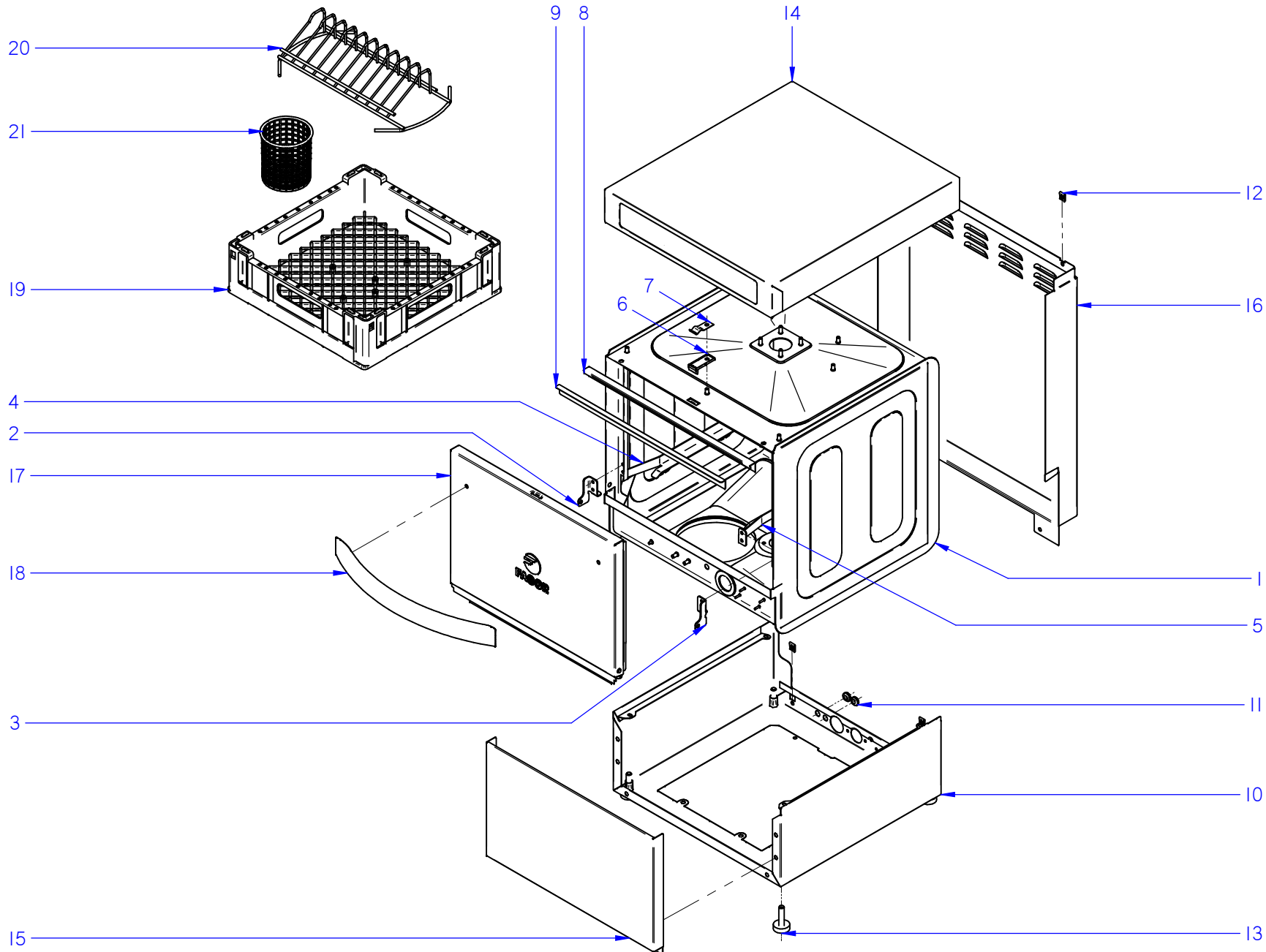
1

Lamina / Sheet

Opote

Fagor Industrial S. Coop. **FAGOR**

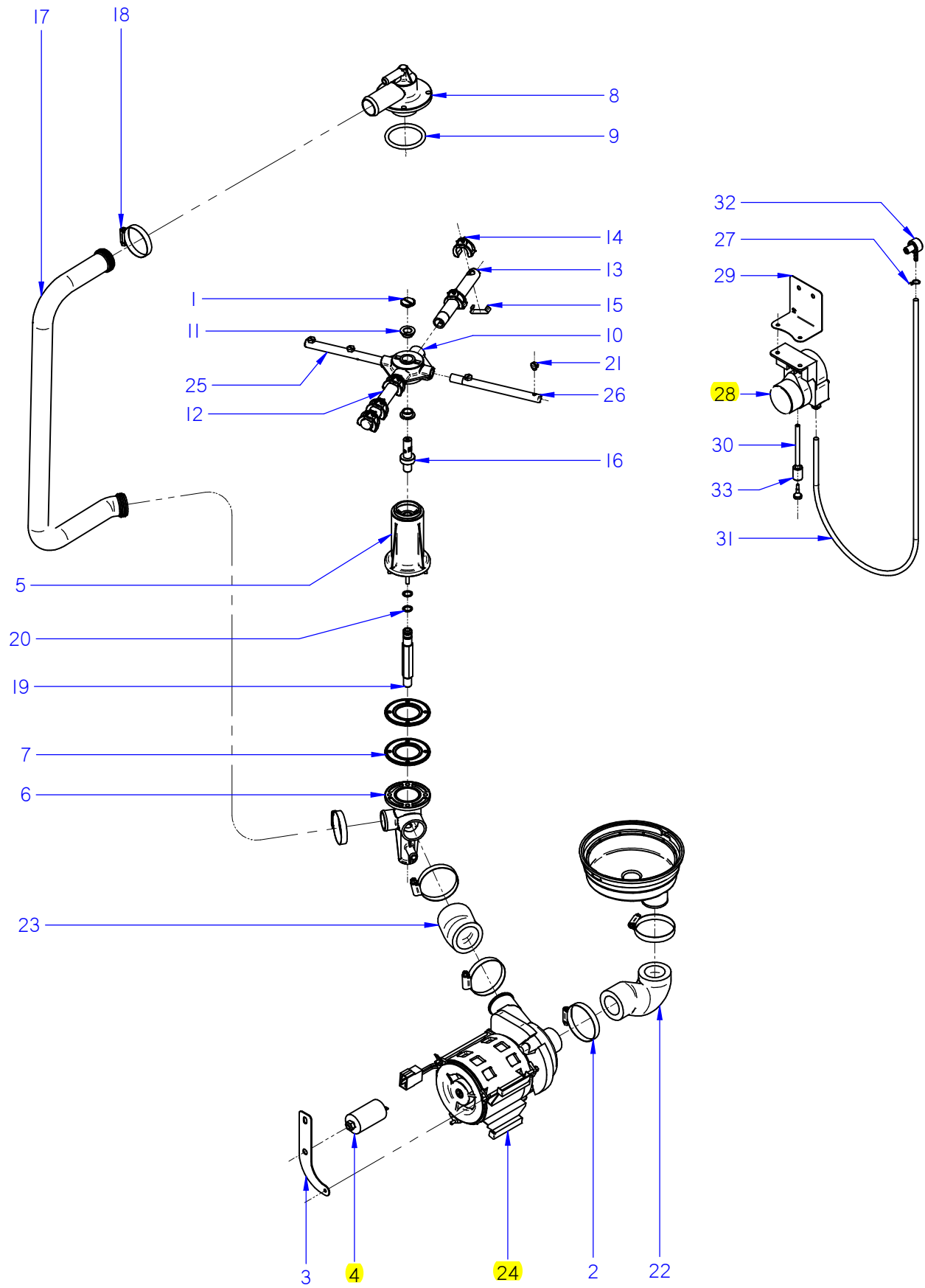
ITEM MARCADO EN COLOR = REPUESTO RECOMENDADO  
COLOURED ITEM = RECOMMENDED SPARE PART



<b>ZONA / ZONE</b>	<b>ARMAZON / FRAME</b>	<b>LÁMINA / DRAWING</b>	<b>C-3329</b>	<b>FAGOR</b> 
--------------------	------------------------	-------------------------	---------------	--

<b>ITEM</b>	<b>REFERENCIA REFERENCE</b>	<b>DENOMINACIÓN</b>	<b>DENOMINATION</b>	<b>CO-352 COLD</b>	<b>CO-402 COLD</b>						<b>RECOMMENDED</b>			<b>NOTAS / NOTES</b>
1	12047953	CUBA SOLDADA CO-350	WELDED TUB CO-350	1	-									
1	12101982	CUBA SOLDADA CO-400	WELDED TUB CO-400	-	1									
1	12113475	CUBA SOLDADA CO-400 SOFT	WELDED TUB CO-400 SOFT	-	-									
2	12048627	SOPORTE PUERTA IZQUIERDO	LEFT DOOR SUPPORT	1	1									
3	12048774	SOPORTE PUERTA DERECHO	RIGHT DOOR SUPPORT	1	1									
4	12049133	GUIA CESTILLO IZQU CO-350	LEFT BASKET GUIDE CO-350	1	-									
4	12102193	GUIA CESTILLO IZQU CO-400	LEFT BASKET GUIDE CO-400	-	1									
5	12049135	GUIA CESTILLO DCHA CO-350	RIGHT BASKET GUIDE CO-350	1	-									
5	12102194	GUIA CESTILLO DCHA CO-400	RIGHT BASKET GUIDE CO-400	-	1									
6	12087183	MACHO CIERRE PUERTA	DOOR LOCK	1	1									
7	12087186	FLEJE_CIERRE_PUERTA	DOOR LOCK SPRING	1	1									
8	12087200	PERFIL VAHOS CO-350	STEAM SEAL CO-350	1	-									
8	12101867	PERFIL VAHOS CO-400	STEAM SEAL CO-400	-	1									
9	12102061	PERFIL JUNTA VAHOS CO-350	STEAM PROFILE SEAL CO-350	1	-									
9	12102035	PERFIL JUNTA VAHOS CO-400	STEAM PROFILE SEAL CO-400	-	1									
10	12049271	BASE SOLDADA CO-350	WELDED BASE CO-350	1	-									
10	12101978	BASE SOLDADA CO-400	WELDED BASE CO-400	-	1									
11	12112707	PASAMUROS 18x8x6 CHAPA E=1	1MM SHEET BUSHING 18x8x6	2	2									
12	12087215	TUERCA RÁPIDA M5	FAST NUT M5	4	4									
13	12024163	PATA REGULABLE	REGULABLE FOOT	4	4									
14	12116665	PANEL SUPERIOR 352	TOP PANEL 352	1	-									
14	12118815	PANEL SUPERIOR 402	TOP PANEL 402	-	1									
15	12048562	PANEL FRONTAL CO-350	FRONT PANEL CO-350	1	-									
15	12101870	PANEL FRONTAL CO-400	FRONT PANEL CO-400	-	1									
16	12048645	PANEL POSTERIOR CO-350	REAR PANEL CO-350	1	-									
16	12101871	PANEL POSTERIOR CO-400	REAR PANEL CO-400	-	1									
17	12049066	PUERTA SOLDADA CO-350	WELDED DOOR CO-350	1	-									
17	12102007	PUERTA SOLDADA CO-400	WELDED DOOR CO-400	-	1									
18	12049468	ASA LAVAVASOS	GLASSWASHER HANDLE	1	1									
19	12024550	CESTILLO 350	BASKET 350	2	-									
19	12025069	CESTILLO 400	BASKET 400	-	2									





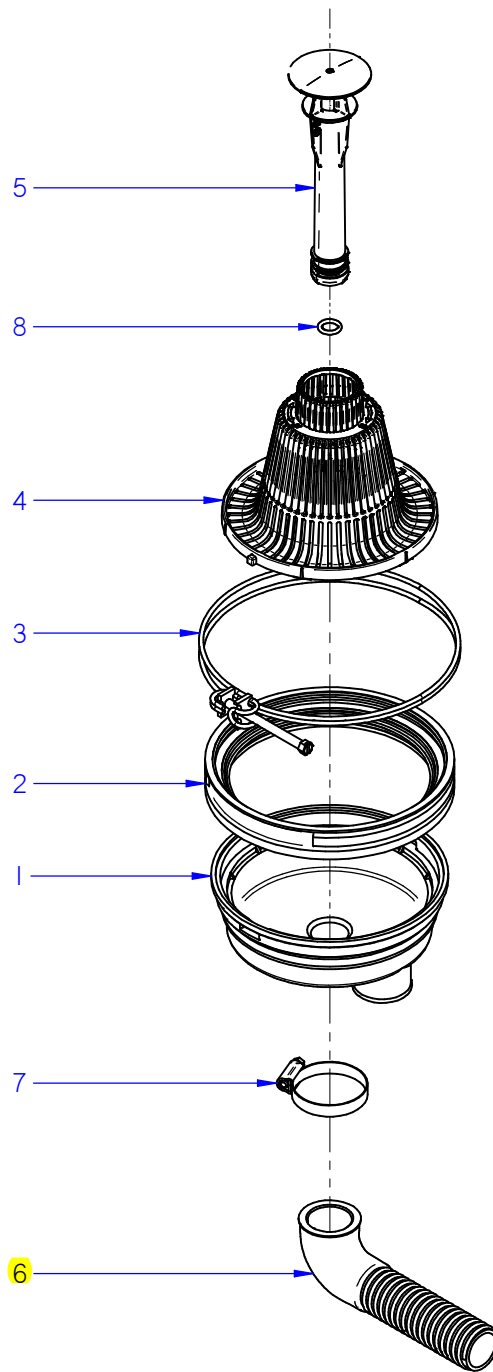
ITEM MARCADO EN COLOR = REPUESTO RECOMENDADO  
 COLOURED ITEM = RECOMMENDED SPARE PART

N plano / Drawing N.	Firma / Signature	Fecha / Date	Aparato / Appliance	PARTE FUNCIONAL LAVADO / WASHING FUNCTIONAL PART	Lamina / Sheet	Fagor Industrial S.Coop. <b>FAGOR</b>
C-3330	Iban R.	12/2014	CO-352-402 COLD / DD GLASSWASHER		2	Oñate

ZONA / ZONE	PARTE FUNCIONAL LAVADO / WASHING FUNCTIONAL PART	LÁMINA / DRAWING	C-3330	FAGOR 
-------------	--	------------------	--------	---

ITEM	REFERENCIA REFERENCE	DENOMINACIÓN	DENOMINATION	CO-352 COLD	CO-402 COLD							RECOMMENDED	ELIMINADO ELIMINATED	INTRODUCIDO INTRODUCED	NOTAS / NOTES
1	12009829	TORNILLO ESPECIAL M.5X0.8	SPECIAL SCREW M.5X0.8	1	1										
2	12009962	ABRAZADERA 40-60	40-60 CLAMP	4	4										
3	12111848	SOPORTE BOMBA LAVADO 350	WASHIG PUMP SUPPORT 350	1	-										
3	12111106	SOPORTE BOMBA LAVADO 400	WASHIG PUMP SUPPORT 400	-	1										
4	12024346	CONDENSADOR 10MF	10MF CAPACITOR	1	1							X			
5	12112971	SOP. DISTRIBUIDOR INFERIOR	LOWER SPRY-ARM SUPPORT	1	1										
6	12024703	PASAMUROS CESTO CUADRADO	SQUARE BASKET BUSHING	1	1										
7	12023533	JUNTA ESTANQUEIDAD	SEALING GASKET	2	2										
8	12113028	SOP. DISTRIBUIDOR SUPERIOR	UPPER SPRY-ARM SUPPORT	1	1										
9	12010079	JUNTA TOR.50.17X60.83X5.3	O-RING 50.17X60.83X5.3	1	1										
10	12025216	CRUCETA	CROSSBRACE	2	2										
11	12024086	CASQUILLO CRUCETA	CROSSBRACE BUSHING	2	2										
12	12019827	RAMA LAVADO A 350	WASHING BRANCH A 350	2	-										
12	12022381	RAMA LAVADO A 400	WASHING BRANCH A 400	-	2										
13	12019857	RAMA LAVADO B	WASHING BRANCH B	2	-										
13	12022382	RAMA LAVADO B 400	WASHING BRANCH B 400	-	2										
14	12023732	TOBERA LAVADO	WASHING NOZZLE	10	12										
15	12023710	ENGANCHE TOBERA LAVADO	WASHING NOZZLE ENGAGE	10	12										
16	12025114	EJE	SHAFT	2	2										
17	12024059	ARBOL LAVADO 350	WASHING TREE 350	1	-										
17	12025154	ARBOL LAVADO 400	WASHING TREE 400	-	1										
18	12009986	ABRAZADERA 32-50L	32-50L CLAMP	2	2										
19	12023801	EMPALME ACLARADO	RINSE CONNECTION	1	1										
20	12009911	JUNTA TO.10.82X14.38X1.78	O-RING 10.82X14.38X1.78	2	2										
21	12024252	TOBERA ACLARADO 350	RINSING NOZZLE	8	10										
22	12023670	CODO ASPIRACION	SUCTION ELBOW	1	1										
23	12023607	CODO IMPULSION	EXPULSION ELBOW	1	1										
24	12023429	BOMBA LAVADO 50/60HZ 260KW	WASHING PUMP 50/60HZ 260KW	1	1							X			
25	12020475	RAMA ACLARADO A 350	RINSING BRANCH A 350	1	-										
25	12022613	RAMA ACLARADO A 400	RINSING BRANCH A 400	-	1										
26	12020476	RAMA ACLARADO B 350	RINSING BRANCH B 350	1	-										
26	12022710	RAMA ACLARADO B 400	RINSING BRANCH B 400	-	1										



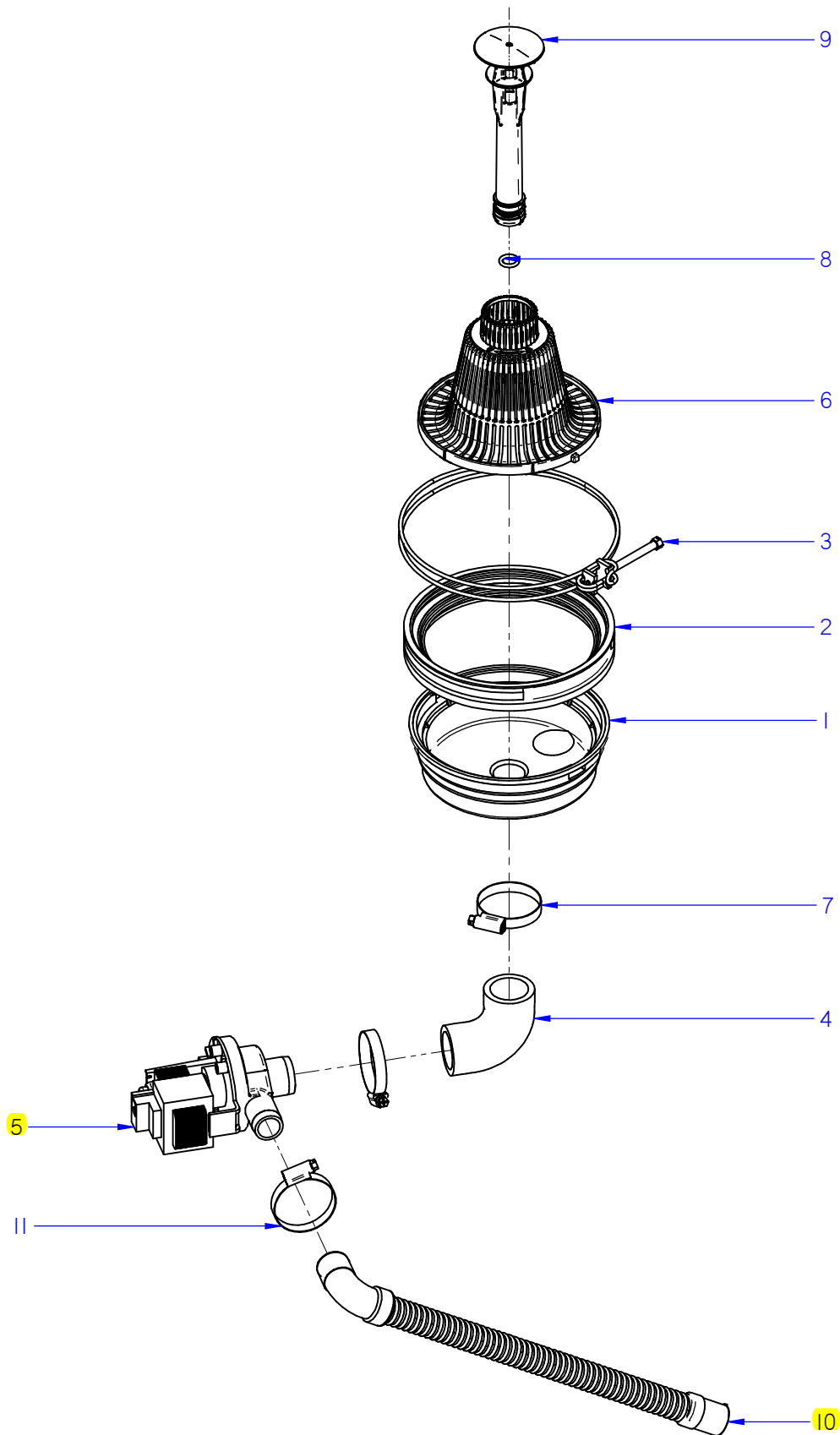


ITEM MARCADO EN COLOR = REPUESTO RECOMENDADO  
 COLOURED ITEM = RECOMMENDED SPARE PART


N plano / Drawing N. <b>C-3331</b>	Firma / Signature <b>Iban R.</b>	Fecha / Date <b>12-2014</b>	Aparato / Appliance PARTE FUNCIONAL LAVADO / WASHING FUNCTIONAL PART <b>CO-352-402 COLD GLASSWASHER</b>	Lamina / Sheet <b>3</b>	Fagor Industrial S.Coop. <b>FAGOR</b>  Oñate
---------------------------------------	-------------------------------------	--------------------------------	--	----------------------------	--



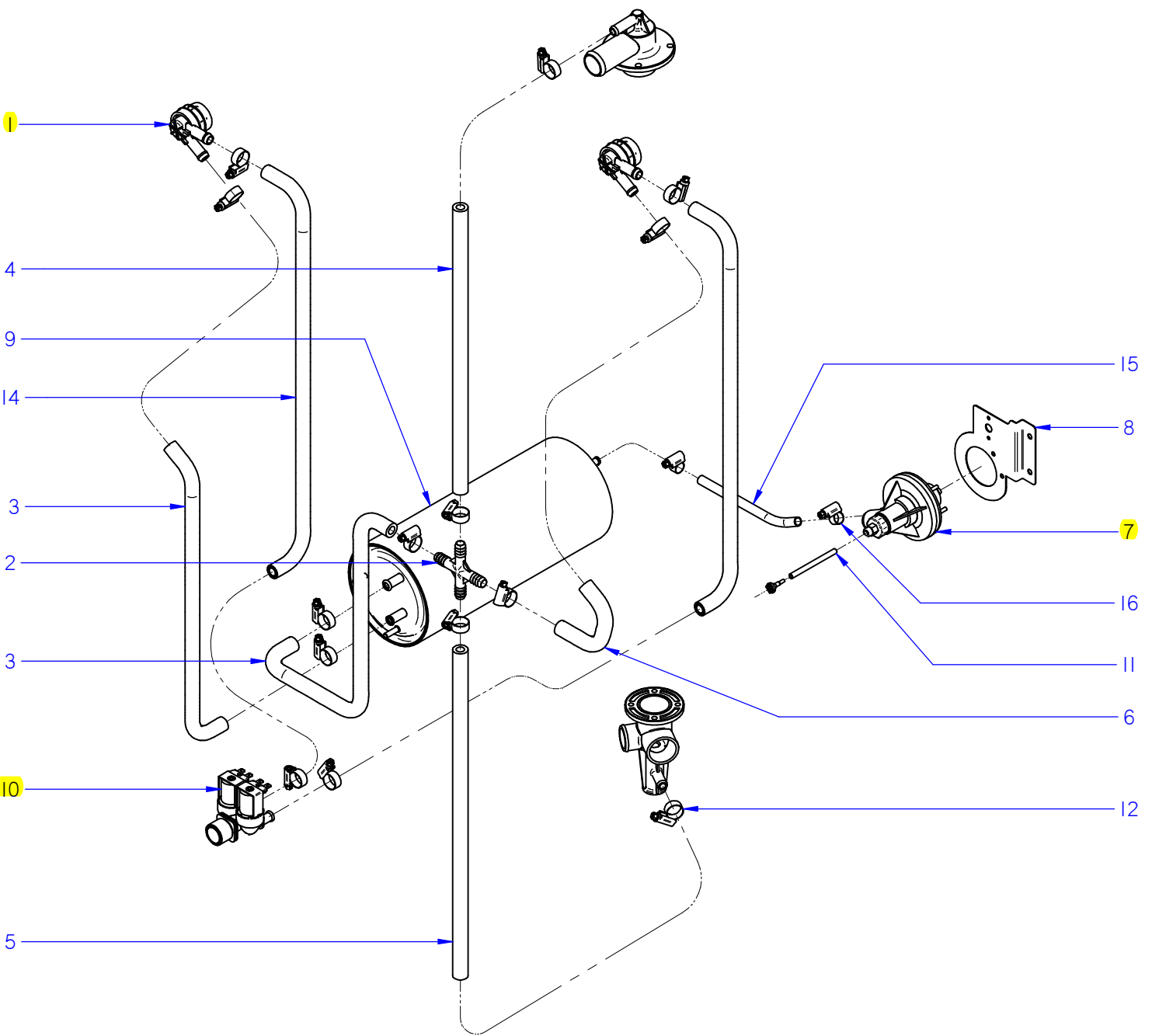




ITEM MARCADO EN COLOR = REPUESTO RECOMENDADO  
 COLOURED ITEM = RECOMMENDED SPARE PART

N plano / Drawing N.	Firma / Signature	Fecha / Date	Aparato / Appliance	PARTE FUNCIONAL LAVADO / WASHING FUNCTIONAL PART	Lamina / Sheet	Fagor Industrial S.Coop. <b>FAGOR</b>
C-3332	Iban R.	12-2014	CO-352-402	COLD B GLASSWASHER	4	 <b>FAGOR</b>
						Oñate



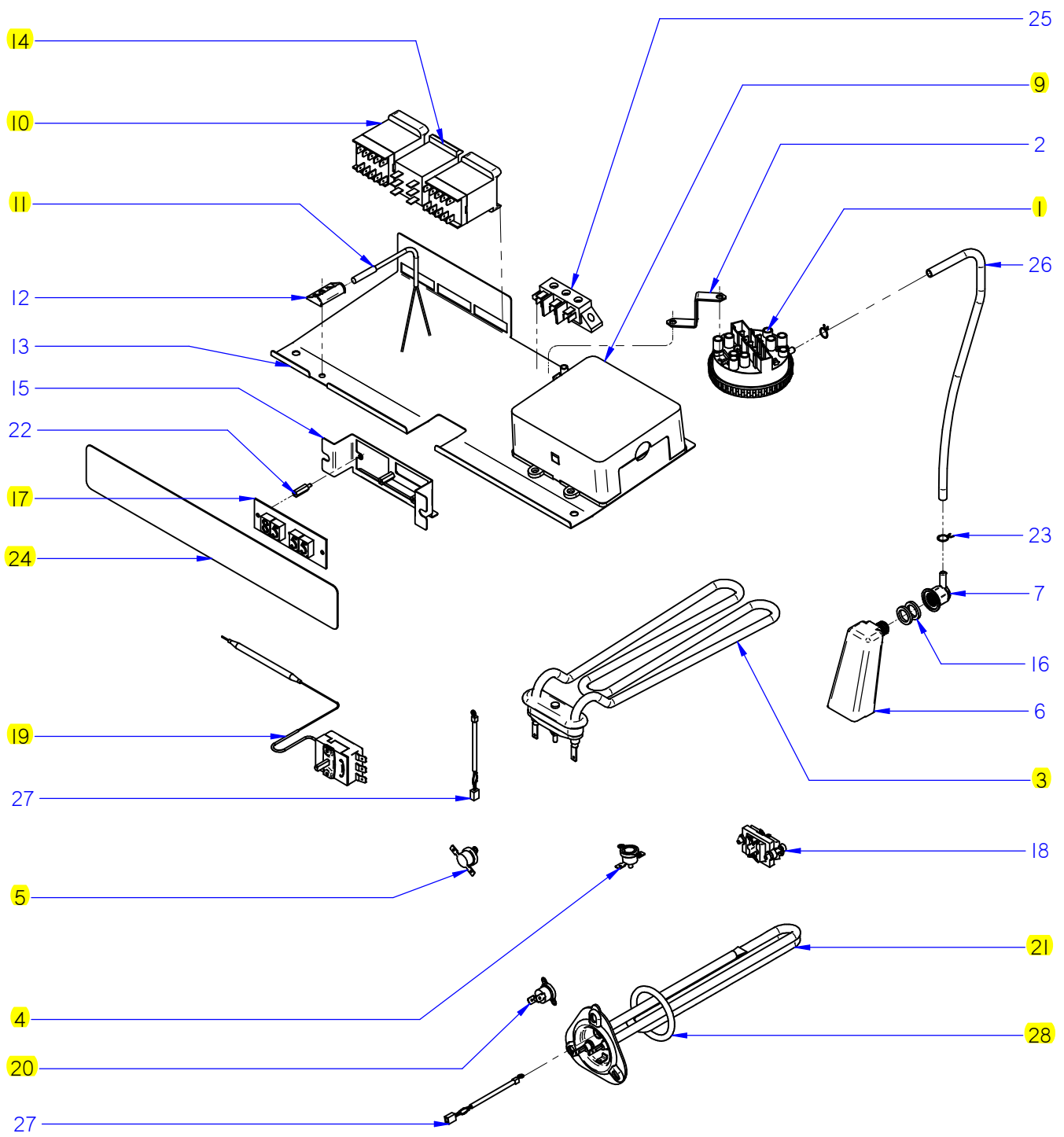


ITEM MARCADO EN COLOR = REPUESTO RECOMENDADO  
 COLOURED ITEM = RECOMMENDED SPARE PART

N plano / Drawing N. <b>C-3333</b>	Firma / Signature <b>Iban R</b>	Fecha / Date <b>2014-12</b>	Aparato / Appliance <b>CO-352-402 COLD GLASSWASHER</b>	Lamina / Sheet <b>5</b>	Fagor Industrial S. Coop. <b>FAGOR</b> Oparte
---------------------------------------	---------------------------------------	--------------------------------	---	----------------------------	--

ACLARADO / RINSING PART





ITEM MARCADO EN COLOR = REPUESTO RECOMENDADO  
 COLOURED ITEM = RECOMMENDED SPARE PART

N plano / Drawing N.	Firma / Signature	Fecha / Date	Aparato / Appliance	PARTE FUNCIONAL LAVADO / WASHING FUNCTIONAL PART	Lamina / Sheet	Fagor Industrial S.Coop. <b>FAGOR</b>
C-3335	Iban R.	03-2015	CO-352-402	COLD GLASSWASHER	7	Oñate

ZONA / ZONE	CONJUNTO ELECTRICO / ELECTRICAL PART	LÁMINA / DRAWING	C-3335	FAGOR 
-------------	--------------------------------------	------------------	--------	---

ITEM	REFERENCIA REFERENCE	DENOMINACIÓN	DENOMINATION	CO-352 COLD	CO-402 COLD						RECOMMENDED	ELIMINADO ELIMINATED	INTRODUCIDO INTRODUCED	NOTAS / NOTES
1	12023803	PRESOSTATO SIMPLE	SIMPLE PRESSURE SWITCH	1	1						X			
1	12024981	PRESOSTATO DOBLE	DOUBLE PRESSURE SWITCH	1	1						X			MODELOS <b>B</b> MODELS ONLY
2	12023163	SOPORTE PRESOSTATO	PRESSURE SWITCH SUPPORT	1	1									
3	12090524	RESISTENCIA TANQUE 400 2 KW	TUB RESISTOR 400 2KW	1	1						X			
4	12090518	TERM. SEG. 261B NC 95°C	SAFETY THER. 261B 95°C	1	1						X			
5	12090526	TERM. SEG. 261 NC 56°C	SAFETY THER. 261 56°C	1	1						X			
6	12090549	CAMARA PRESOSTATO CO-400	PRESSURE CHAMBER CO-400	1	1						X			
7	12091147	RACOR PRESOSTATO CO-400	PRESSURE SWITCH FITTING CO-400	1	1									
9	12008750	CONTROL TARJETA 5 RELES	5 RELAY COTROL CARD	1	1						X			
10	12024011	CONTACTOR 230 V. 50-60 HZ	230 V. 50-60 HZ CONTACTOR	2	2						X			
11	12024477	INTERRUPTOR MAGNETICO	MAGNETIC SWITCH	1	1						X			
12	12024066	AMARRE INTERRUPTOR MAGNETICO	MAGNETIC SWITCH'S SUPPORT	1	1									
13	12116648	SOP. COMPONENTES ELECTRICOS	ELECTRIC COMPONENTS SUPPORT	1	_									
13	12113866	SOP. COMPONENTES ELECTRICOS	ELECTRIC COMPONENTS SUPPORT	_	1									
14	12023706	RELE 230V. 16A 50-60 HZ	230V. 16A 50-60 HZ RELAY	1	1						X			
15	12022219	SOPORTE VISUALIZADOR	DISPLAY SUPPORT	1	1									
16	12009873	JUNTA CAMARA PRESOSTATO	PRESSURE CHAMBER SEAL	2	2									
17	12024028	VISUALIZADOR 12V 4 DIGITOS 7 SEG.	12V 4 DIGITS 7 SEGMENTS DISPLAY	1	1						X			
18	12024230	RETENEDOR DE CABLE	CABLE RETAINER	1	1									
19	12046152	TERMOSTAT. CALDERIN 85°C TECASA	BOILER THERMOSTAT 85°C TECASA	1	1						X			
20	12096597	TERM_SEG_261B_110°C_FAST_90	SAFETY THER. 261B_110°C_FAST_90	1	1						X			
21	12093151	RESISTENCIA CALDERIN 2,4KW	BOILER'S RESISTOR 2,4KW	1	_						X			
21	12093124	RESISTENCIA CALDERIN 2,8KW	BOILER'S RESISTOR 2,8KW	_	1						X			
22	12025260	DISTANCIADOR M3	M3 SPACER	3	3									
23	12023707	BRIDA ELASTICA TUBO	ELASTIC CLAMP FOR PIPES	2	2									
24	12115249	EMBELLECEDOR CO-352-402	CO-352-402 STICKER	1	1						X			
25	12024382	REGLETA 40A 3VIA 5MM	CONNECTION STRIP 40A 3WAY 5MM	1	1									
26	11000066	TUBO GOMA NEGRO D 8*4	BLACK RUBBER PIPE D 8*4	1	1									
27	12025036	CONJUNTO Sonda 64KΩ NTC	64KΩ NTC SENSOR COMPLETE	2	2									
28	12102062	JUNTA TÓRICA RESIS. TUBULAR EVO	EVO TUBULAR RESISTOR O-RING	1	1						X			



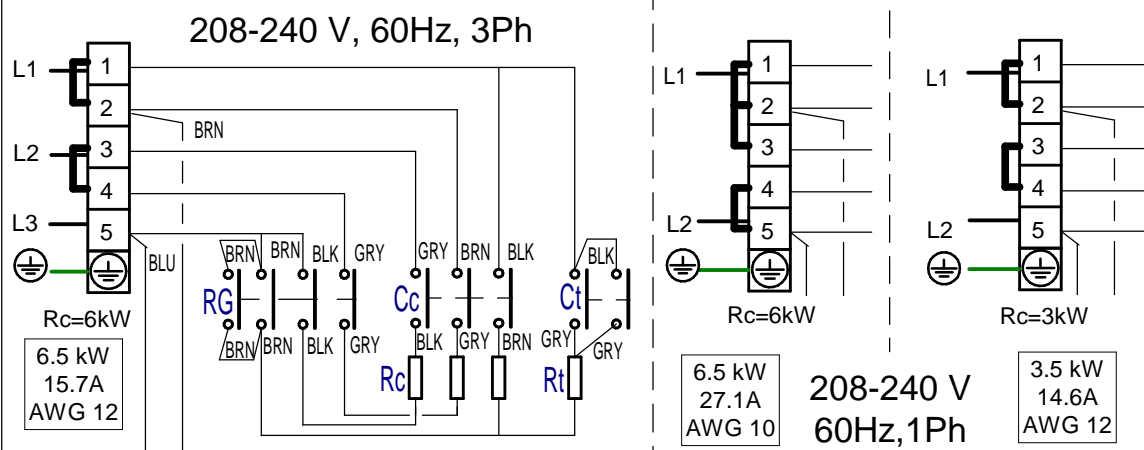




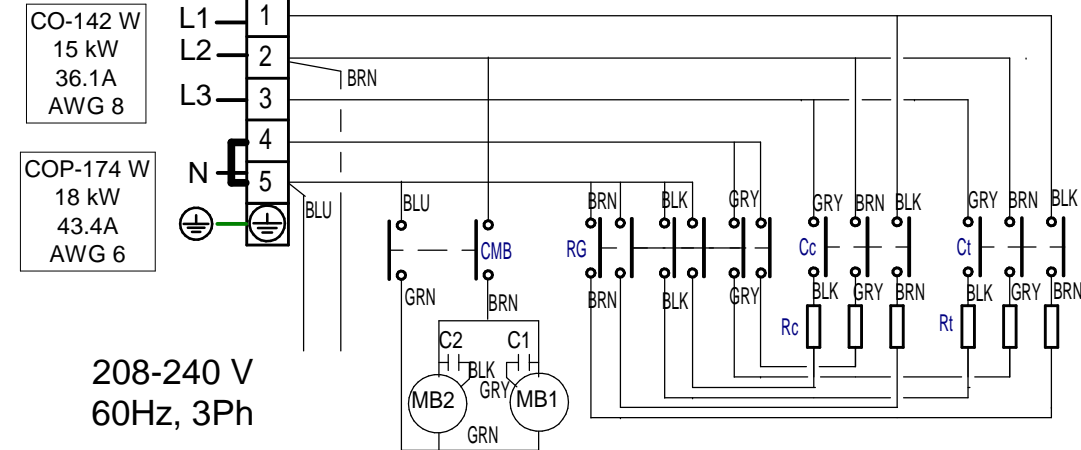




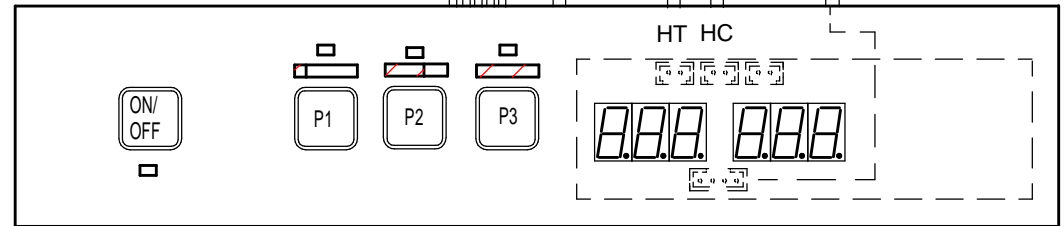
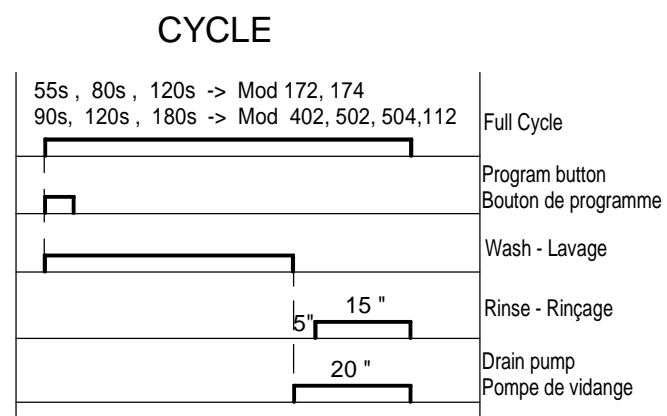
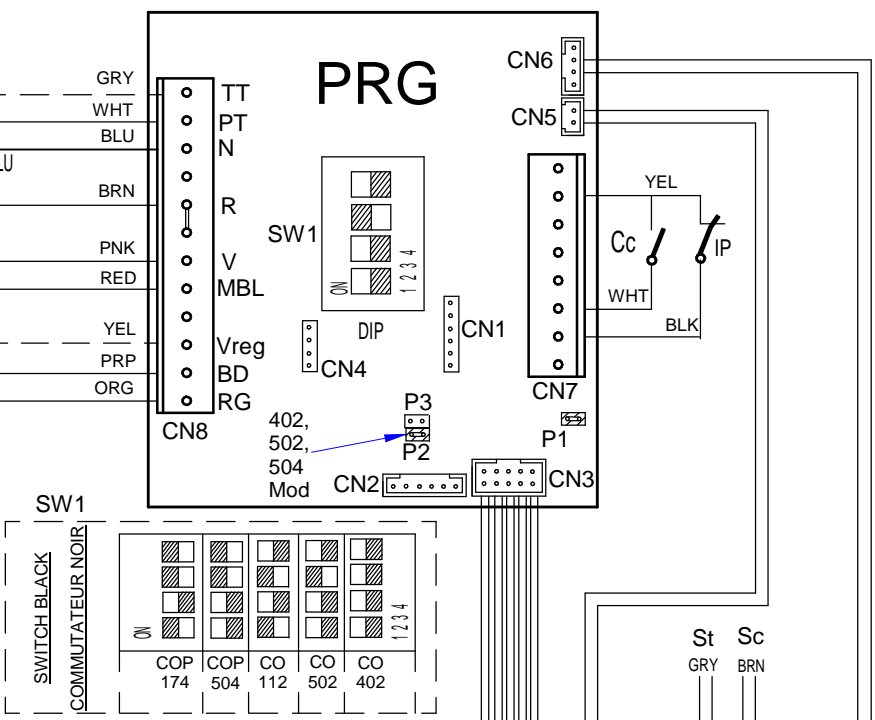
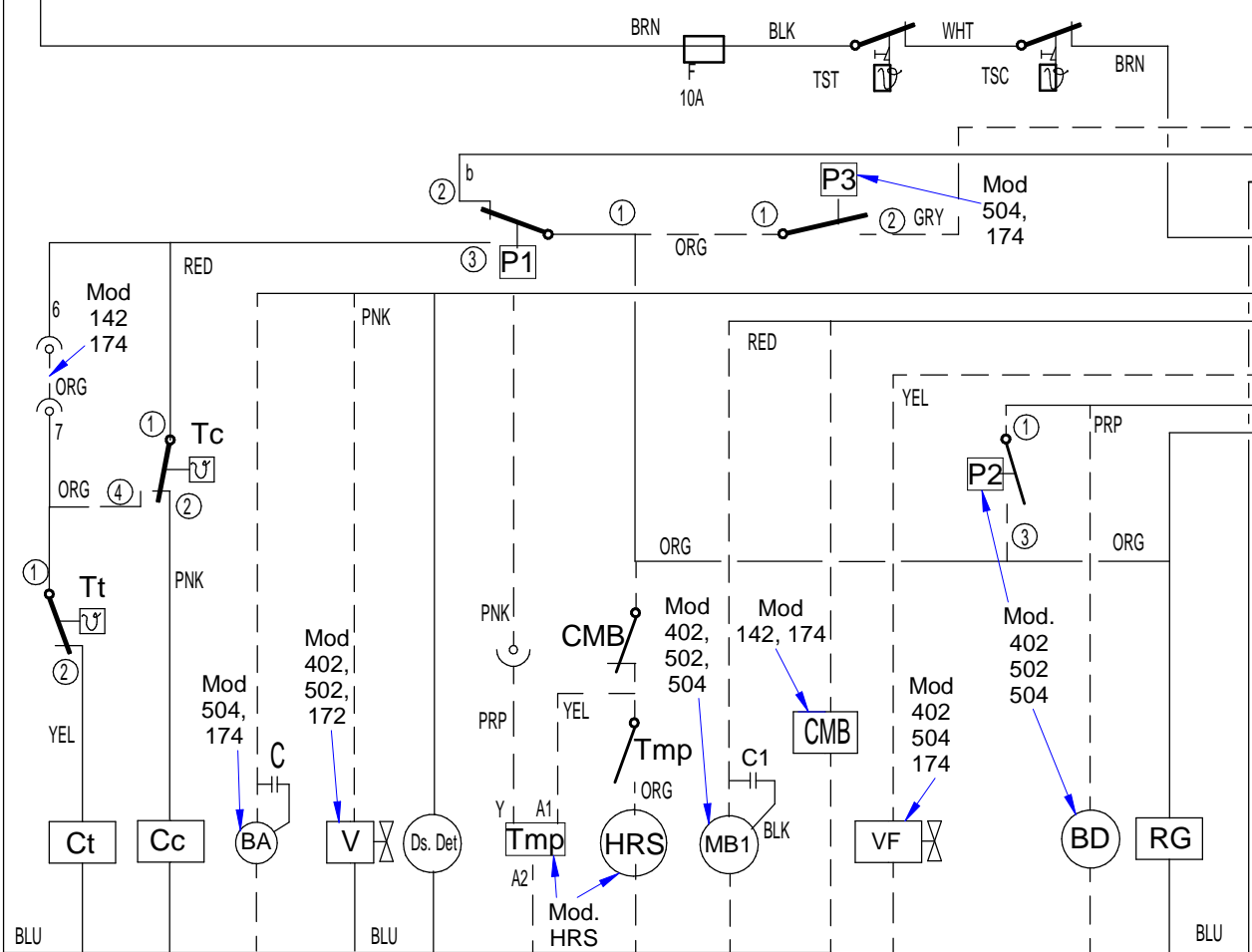
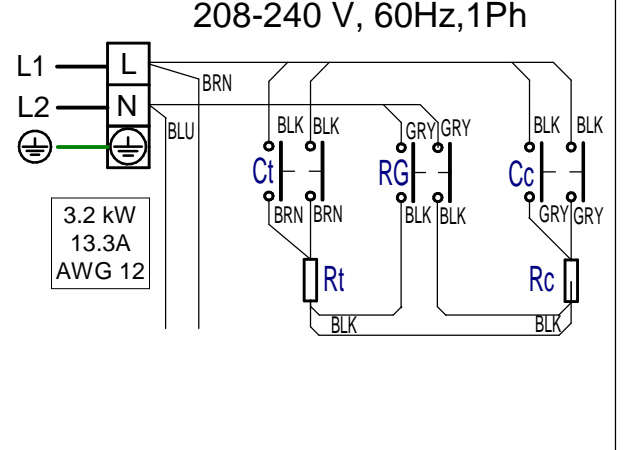
# CO-502 W, COP-504 W



# CO-142W, COP-174 W



# CO-402 W



Ref. 12114451

-	Esquema Teorico CO XX2 W, COP XX4 W	-	12114451		
Nº	TITLE	QTY	CODE	MATERIAL	TREATMENT
GENERAL TOLERANCES: ISO 2768-1 Very Coarse		FAGOR		SHEET FORMAT:	A3
DESING CENTER:		FAGOR INDUSTRIAL		ONA	
MAT STATUS:		DESIGNED BY: M.Maillo		VALIDATED BY: A.gallastegui	
DOC STATUS:		DATE: 11.06.2014		SHEET: 1 / 1	
SCALE: 1:1		LAVAVAJILLAS		ISSUE DATE:	
12114451		REVISION		PROPOSED BY: -	

